



VULCAN 1600 MEAN STREAK

VN1600 MEAN STREAK



Motorcycle Service Manual

Quick Reference Guide

General Information	1
Periodic Maintenance	2
Fuel System (DFI)	3
Cooling System	4
Engine Top End	5
Clutch	6
Engine Lubrication System	7
Engine Removal/Installation	8
Crankshaft/Transmission	9
Wheels/Tires	10
Final Drive	11
Brakes	12
Suspension	13
Steering	14
Frame	15
Electrical System	16
Appendix	17

This quick reference guide will assist you in locating a desired topic or procedure.

- Bend the pages back to match the black tab of the desired chapter number with the black tab on the edge at each table of contents page.
- Refer to the sectional table of contents for the exact pages to locate the specific topic required.



VULCAN 1600 MEAN STREAK
VN1600 MEAN STREAK

Motorcycle Service Manual

All rights reserved. No parts of this publication may be reproduced, stored in a retrieval system, or transmitted in any form or by any means, electronic mechanical photocopying, recording or otherwise, without the prior written permission of Quality Division/Consumer Products & Machinery Company/Kawasaki Heavy Industries, Ltd., Japan.

No liability can be accepted for any inaccuracies or omissions in this publication, although every possible care has been taken to make it as complete and accurate as possible.

The right is reserved to make changes at any time without prior notice and without incurring an obligation to make such changes to products manufactured previously. See your Motorcycle dealer for the latest information on product improvements incorporated after this publication.

All information contained in this publication is based on the latest product information available at the time of publication. Illustrations and photographs in this publication are intended for reference use only and may not depict actual model component parts.

LIST OF ABBREVIATIONS

A	ampere(s)	lb	pound(s)
ABDC	after bottom dead center	m	meter(s)
AC	alternating current	min	minute(s)
ATDC	after top dead center	N	newton(s)
BBDC	before bottom dead center	Pa	pascal(s)
BDC	bottom dead center	PS	horsepower
BTDC	before top dead center	psi	pound(s) per square inch
°C	degree(s) Celsius	r	revolution
DC	direct current	r/min, rpm	revolution(s) per minute
F	farad(s)	TDC	top dead center
°F	degree(s) Fahrenheit	TIR	total indicator reading
ft	foot, feet	V	volt(s)
g	gram(s) (mass)	W	watt(s)
h	hour(s)	Ω	ohm(s)
kg	(mass)		
kgf	(force)		
L	liter(s)		

Read OWNER'S MANUAL before operating.

EMISSION CONTROL INFORMATION

To protect the environment in which we all live, Kawasaki has incorporated crankcase emission (1) and exhaust emission (2) control systems in compliance with applicable regulations of the United States Environmental Protection Agency and California Air Resources Board. Additionally, Kawasaki has incorporated an evaporative emission control system (3) in compliance with applicable regulations of the California Air Resources Board on vehicles sold in California only.

1. Crankcase Emission Control System

This system eliminates the release of crankcase vapors into the atmosphere. Instead, the vapors are routed through an oil separator to the inlet side of the engine. While the engine is operating, the vapors are drawn into combustion chamber, where they are burned along with the fuel and air supplied by the fuel injection system.

2. Exhaust Emission Control System

This system reduces the amount of pollutants discharged into the atmosphere by the exhaust of this motorcycle. The fuel, ignition, and exhaust systems of this motorcycle have been carefully designed and constructed to ensure an efficient engine with low exhaust pollutant levels.

The exhaust system of this model motorcycle manufactured primarily for sale in California includes a catalytic converter system.

3. Evaporative Emission Control System

Vapors caused by fuel evaporation in the fuel system are not vented into the atmosphere. Instead, fuel vapors are routed into the running engine to be burned, or stored in a canister when the engine is stopped. Liquid fuel is caught by a vapor separator and returned to the fuel tank.

The Clean Air Act, which is the Federal law covering motor vehicle pollution, contains what is commonly referred to as the Act's "tampering provisions."

"Sec. 203(a) The following acts and the causing thereof are prohibited...

(3)(A) for any person to remove or render inoperative any device or element of design installed on or in a motor vehicle or motor vehicle engine in compliance with regulations under this title prior to its sale and delivery to the ultimate purchaser, or for any manufacturer or dealer knowingly to remove or render inoperative any such device or element of design after such sale and delivery to the ultimate purchaser.

(3)(B) for any person engaged in the business of repairing, servicing, selling, leasing, or trading motor vehicles or motor vehicle engines, or who operates a fleet of motor vehicles knowingly to remove or render inoperative any device or element of design installed on or in a motor vehicle or motor vehicle engine in compliance with regulations under this title following its sale and delivery to the ultimate purchaser..."

NOTE

○The phrase "remove or render inoperative any device or element of design" has been generally interpreted as follows:

1. Tampering does not include the temporary removal or rendering inoperative of devices or elements of design in order to perform maintenance.
2. Tampering could include:
 - a. Maladjustment of vehicle components such that the emission standards are exceeded.
 - b. Use of replacement parts or accessories which adversely affect the performance or durability of the motorcycle.
 - c. Addition of components or accessories that result in the vehicle exceeding the standards.
 - d. Permanently removing, disconnecting, or rendering inoperative any component or element of design of the emission control systems.

WE RECOMMEND THAT ALL DEALERS OBSERVE THESE PROVISIONS OF FEDERAL LAW, THE VIOLATION OF WHICH IS PUNISHABLE BY CIVIL PENALTIES NOT EXCEEDING \$10,000 PER VIOLATION.

TAMPERING WITH NOISE CONTROL SYSTEM PROHIBITED

Federal law prohibits the following acts or the causing thereof: (1) The removal or rendering inoperative by any person other than for purposes of maintenance, repair, or replacement, of any device or element of design incorporated into any new vehicle for the purpose of noise control prior to its sale or delivery to the ultimate purchaser or while it is in use, or (2) the use of the vehicle after such device or element of design has been removed or rendered inoperative by any person.

Among those acts presumed to constitute tampering are the acts listed below:

- Replacement of the original exhaust system or muffler with a component not in compliance with Federal regulations.
- Removal of the muffler(s) or any internal portion of the muffler(s).
- Removal of the air box or air box cover.
- Modifications to the muffler(s) or air inlet system by cutting, drilling, or other means if such modifications result in increased noise levels.

Foreword

This manual is designed primarily for use by trained mechanics in a properly equipped shop. However, it contains enough detail and basic information to make it useful to the owner who desires to perform his own basic maintenance and repair work. A basic knowledge of mechanics, the proper use of tools, and workshop procedures must be understood in order to carry out maintenance and repair satisfactorily. Whenever the owner has insufficient experience or doubts his ability to do the work, all adjustments, maintenance, and repair should be carried out only by qualified mechanics.

In order to perform the work efficiently and to avoid costly mistakes, read the text, thoroughly familiarize yourself with the procedures before starting work, and then do the work carefully in a clean area. Whenever special tools or equipment are specified, do not use makeshift tools or equipment. Precision measurements can only be made if the proper instruments are used, and the use of substitute tools may adversely affect safe operation.

For the duration of the warranty period, we recommend that all repairs and scheduled maintenance be performed in accordance with this service manual. Any owner maintenance or repair procedure not performed in accordance with this manual may void the warranty.

To get the longest life out of your vehicle:

- Follow the Periodic Maintenance Chart in the Service Manual.
- Be alert for problems and non-scheduled maintenance.
- Use proper tools and genuine Kawasaki Motorcycle parts. Special tools, gauges, and testers that are necessary when servicing Kawasaki motorcycles are introduced by the Service Manual. Genuine parts provided as spare parts are listed in the Parts Catalog.
- Follow the procedures in this manual carefully. Don't take shortcuts.
- Remember to keep complete records of maintenance and repair with dates and any new parts installed.

How to Use This Manual

In this manual, the product is divided into its major systems and these systems make up the manual's chapters. The Quick Reference

Guide shows you all of the product's system and assists in locating their chapters. Each chapter in turn has its own comprehensive Table of Contents.

For example, if you want ignition coil information, use the Quick Reference Guide to locate the Electrical System chapter. Then, use the Table of Contents on the first page of the chapter to find the Ignition Coil section.

Whenever you see these WARNING and CAUTION symbols, heed their instructions! Always follow safe operating and maintenance practices.

WARNING

This warning symbol identifies special instructions or procedures which, if not correctly followed, could result in personal injury or loss of life.

CAUTION

This caution symbol identifies special instructions or procedures which, if not strictly observed, could result in damage to or destruction of equipment.

This manual contains four more symbols (in addition to WARNING and CAUTION) which will help you distinguish different types of information.

NOTE

○ *This note symbol indicates points of particular interest for more efficient and convenient operation.*

- Indicates a procedural step or work to be done.
- Indicates a procedural sub-step or how to do the work of the procedural step it follows. It also precedes the text of a NOTE.
- ★ Indicates a conditional step or what action to take based on the results of the test or inspection in the procedural step or sub-step it follows.

In most chapters an exploded view illustration of the system components follows the Table of Contents. In these illustrations you will find the instructions indicating which parts require specified tightening torque, oil, grease or a locking agent during assembly.

General Information



Table of Contents

Before Servicing	1-2
Model Identification.....	1-7
General Specifications.....	1-10
Unit Conversion Table	1-13

1-2 GENERAL INFORMATION

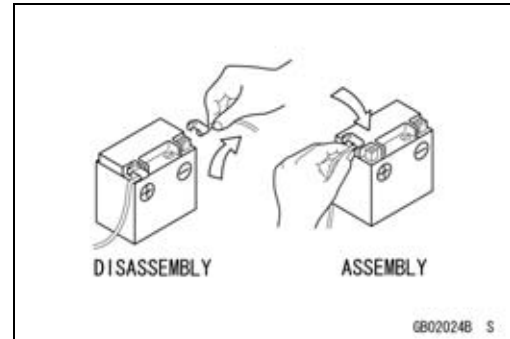
Before Servicing

Before starting to perform an inspection service or carry out a disassembly and reassembly operation on a motorcycle, read the precautions given below. To facilitate actual operations, notes, illustrations, photographs, cautions, and detailed descriptions have been included in each chapter wherever necessary. This section explains the items that require particular attention during the removal and reinstallation or disassembly and reassembly of general parts.

Especially note the following:

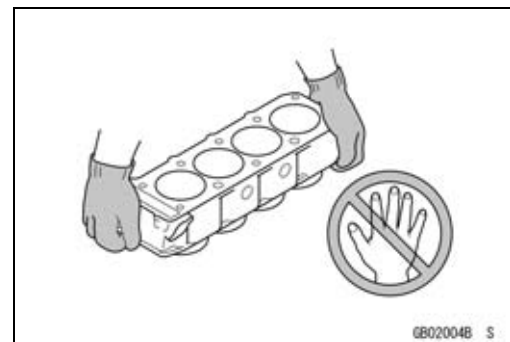
Battery Ground

Before completing any service on the motorcycle, disconnect the battery wires from the battery to prevent the engine from accidentally turning over. Disconnect the ground wire (–) first and then the positive (+). When completed with the service, first connect the positive (+) wire to the positive (+) terminal of the battery then the negative (–) wire to the negative terminal.



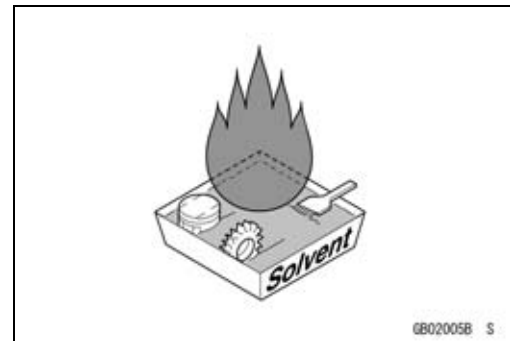
Edges of Parts

Lift large or heavy parts wearing gloves to prevent injury from possible sharp edges on the parts.



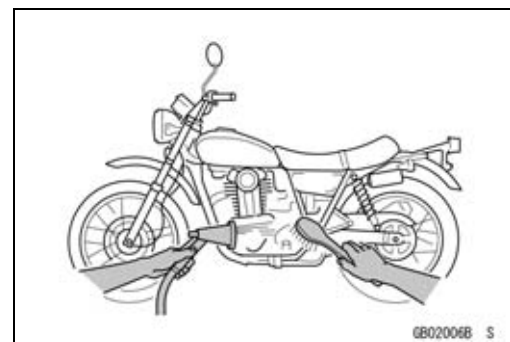
Solvent

Use a high-flash point solvent when cleaning parts. High-flash point solvent should be used according to directions of the solvent manufacturer.



Cleaning vehicle before disassembly

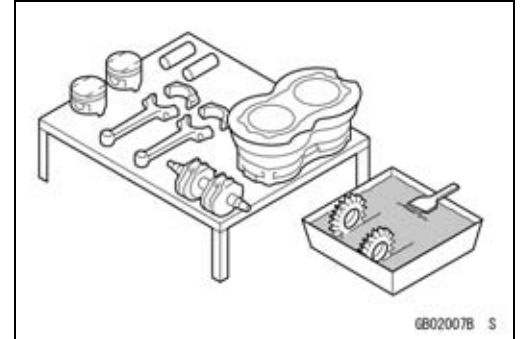
Clean the vehicle thoroughly before disassembly. Dirt or other foreign materials entering into sealed areas during vehicle disassembly can cause excessive wear and decrease performance of the vehicle.



Before Servicing

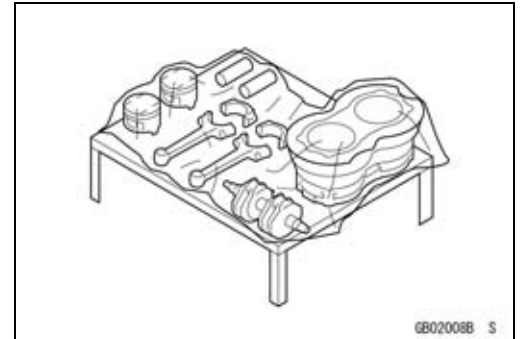
Arrangement and Cleaning of Removed Parts

Disassembled parts are easy to confuse. Arrange the parts according to the order the parts were disassembled and clean the parts in order prior to assembly.



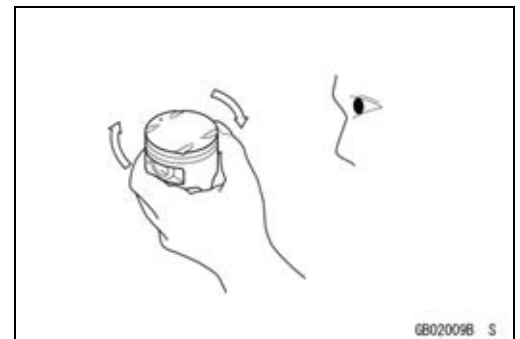
Storage of Removed Parts

After all the parts including subassembly parts have been cleaned, store the parts in a clean area. Put a clean cloth or plastic sheet over the parts to protect from any foreign materials that may collect before re-assembly.



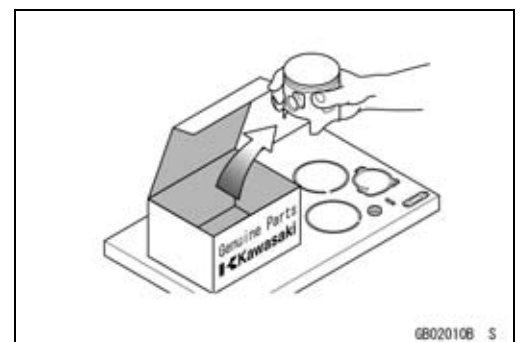
Inspection

Reuse of worn or damaged parts may lead to serious accident. Visually inspect removed parts for corrosion, discoloration, or other damage. Refer to the appropriate sections of this manual for service limits on individual parts. Replace the parts if any damage has been found or if the part is beyond its service limit.



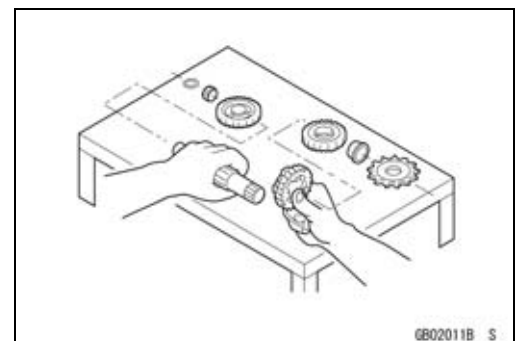
Replacement Parts

Replacement Parts must be KAWASAKI genuine or recommended by KAWASAKI. Gaskets, O-rings, Oil seals, Grease seals, circlips or cotter pins must be replaced with new ones whenever disassembled.



Assembly Order

In most cases assembly order is the reverse of disassembly, however, if assembly order is provided in this Service Manual, follow the procedures given.

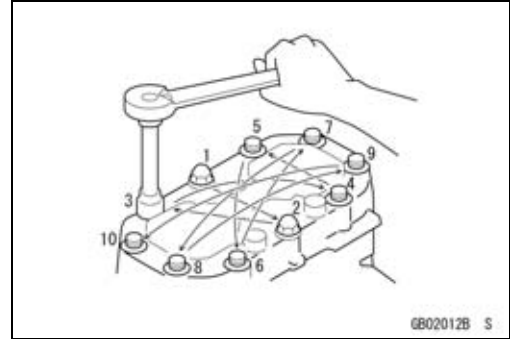


1-4 GENERAL INFORMATION

Before Servicing

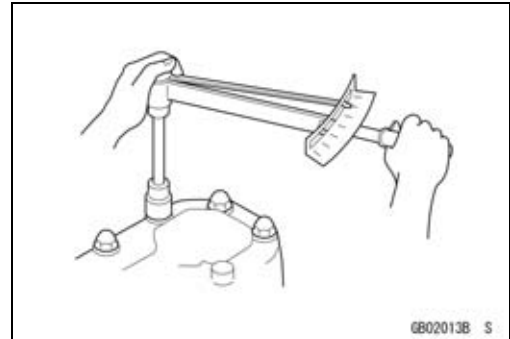
Tightening Sequence

Generally, when installing a part with several bolts, nuts, or screws, start them all in their holes and tighten them to a snug fit. Then tighten them according to the specified sequence to prevent case warpage or deformation which can lead to malfunction. Conversely when loosening the bolts, nuts, or screws, first loosen all of them by about a quarter turn and then remove them. If the specified tightening sequence is not indicated, tighten the fasteners alternating diagonally.



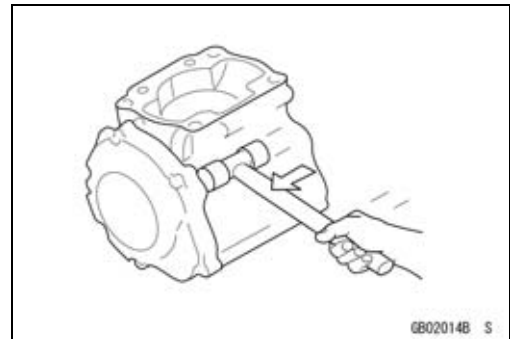
Tightening Torque

Incorrect torque applied to a bolt, nut, or screw may lead to serious damage. Tighten fasteners to the specified torque using a good quality torque wrench.



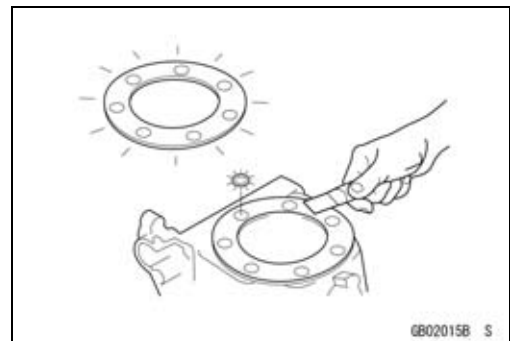
Force

Use common sense during disassembly and assembly, excessive force can cause expensive or hard to repair damage. When necessary, remove screws that have a non-permanent locking agent applied using an impact driver. Use a plastic-faced mallet whenever tapping is necessary.



Gasket, O-ring

Hardening, shrinkage, or damage of both gaskets and O-rings after disassembly can reduce sealing performance. Remove old gaskets and clean the sealing surfaces thoroughly so that no gasket material or other material remains. Install new gaskets and replace used O-rings when re-assembling.



Liquid Gasket, Non-Permanent Locking Agent

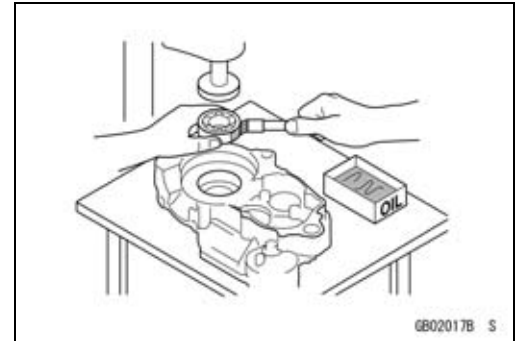
For applications that require Liquid Gasket or a Non-Permanent Locking agent, clean the surfaces so that no oil residue remains before applying liquid gasket or Non-Permanent locking agent. Do not apply them excessively. Excessive application can clog oil passages and cause serious damage.



Before Servicing

Press

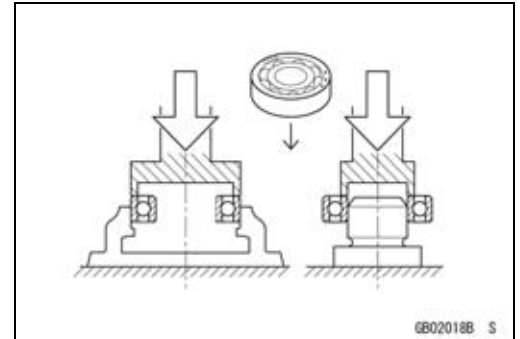
For items such as bearings or oil seals that must be pressed into place, apply small amount of oil to the contact area. Be sure to maintain proper alignment and use smooth movements when installing.



Ball Bearing and Needle Bearing

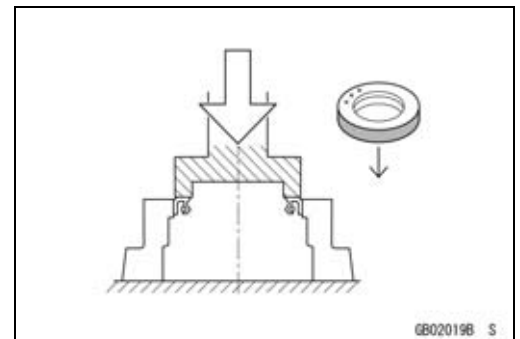
Do not remove pressed ball or needle unless removal is absolutely necessary. Replace with new ones whenever removed. Press bearings with the manufacturer and size marks facing out. Press the bearing into place by putting pressure on the correct bearing race as shown.

Pressing the incorrect race can cause pressure between the inner and outer race and result in bearing damage.

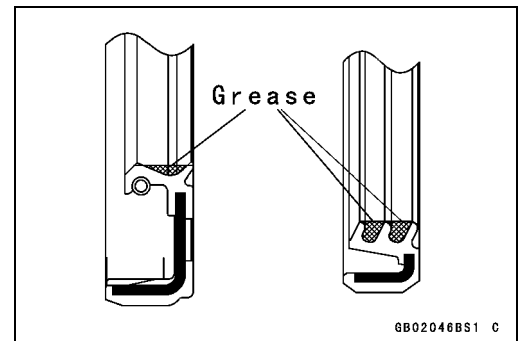


Oil Seal, Grease Seal

Do not remove pressed oil or grease seals unless removal is necessary. Replace with new ones whenever removed. Press new oil seals with manufacture and size marks facing out. Make sure the seal is aligned properly when installing.

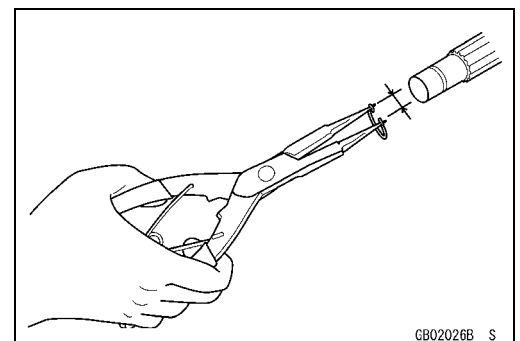


Apply specified grease to the lip of seal before installing the seal.



Circlips, Cotter Pins

Replace circlips or cotter pins that were removed with new ones. Take care not to open the clip excessively when installing to prevent deformation.

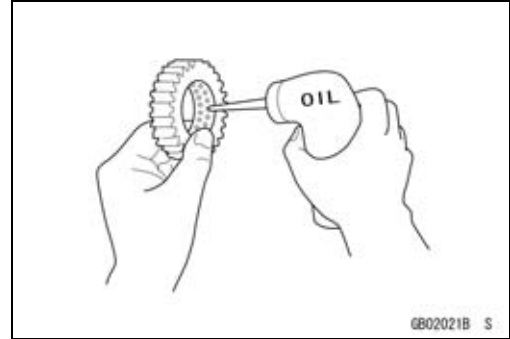


1-6 GENERAL INFORMATION

Before Servicing

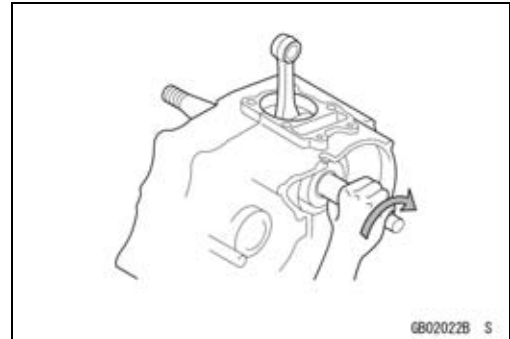
Lubrication

It is important to lubricate rotating or sliding parts during assembly to minimize wear during initial operation. Lubrication points are called out throughout this manual, apply the specific oil or grease as specified.



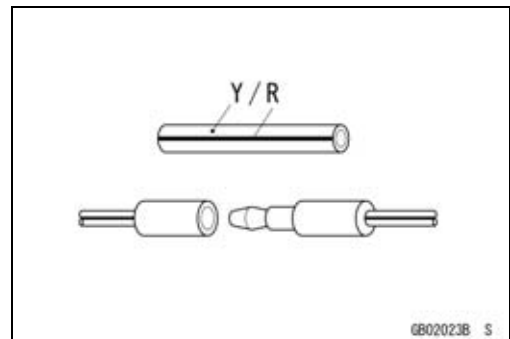
Direction of Engine Rotation

When rotating the crankshaft by hand, the free play amount of rotating direction will affect the adjustment. Rotate the crankshaft to positive direction (clockwise viewed from output side).



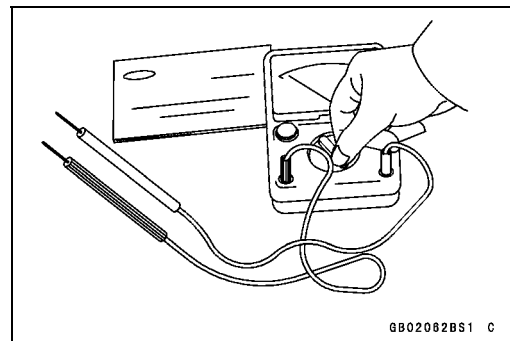
Electrical Wires

A two-color wire is identified first by the primary color and then the stripe color. Unless instructed otherwise, electrical wires must be connected to those of the same color.



Instrument

Use a meter that has enough accuracy for an accurate measurement. Read the manufacture's instructions thoroughly before using the meter. Incorrect values may lead to improper adjustments.



Model Identification

VN1600-B1 (US, and Canada) Left Side View



VN1600-B1 (US, and Canada) Right Side View



1-8 GENERAL INFORMATION

Model Identification

VN1600-B1 (Europe) Left Side View



VN1600-B1 (Europe) Right Side View



Model Identification

VN1600-F6F (US, and Canada) Left Side View



VN1600-F6F (US, and Canada) Right Side View



1-10 GENERAL INFORMATION

General Specifications

Items	VN1600-B1 ~/F6F ~
Dimensions Overall Length Overall Width Overall Height Wheelbase Road Clearance Seat Height Dry Mass Curb Mass: Front Rear Fuel Tank Capacity Fuel	2 410 mm (94.9 in.) 850 mm (33.5 in.) 1 100 mm (43.3 in.) 1 705 mm (67.1 in.) 125 mm (4.92 in.) 700 mm (27.6 in.) 290 kg (639 lb) 145 kg (320 lb) 172 kg (379 lb) 17.0 L (4.49 US gal) Unleaded and high-octane gasoline (see Owner's Manual)
Performance Minimum Turning Radius	3.1 m (10.2 ft)
Engine Type Cooling System Bore and Stroke Displacement Compression Ratio Maximum Horsepower Maximum Torque Carburetion System Starting System Ignition System Timing Advance Ignition Timing Spark Plugs Cylinder Numbering Method Firing Order Valve Timing: Inlet: open close duration Exhaust: open close duration Lubrication System	4-stroke, SOHC, V2-cylinder Liquid-cooled 102 × 95 mm (4.02 × 3.74 in.) 1 552 cm ³ (94.70 cu in.) 9.0 : 1 54 kW (74 PS) @5 300 r/min (rpm), (CAL) (CA) (US) – 125 N·m (12.7 kgf·m, 92.2 ft·lb) @2 800 r/min (rpm), (CAL) (CA) (US) – DFI (Digital Fuel Injection) System Electric starter Battery and coil (transistorized) Electronically advanced (digital) From 5° BTDC @950 r/min (rpm) ~ 25° BTDC @4 500 r/min (rpm) NGK DPR6EA-9 or ND X20EPR-U9 Front to Rear, 1-2 1-2 22° BTDC 66° ABDC 268° 66° BBDC 26° ATDC 272° Forced lubrication (wet sump)

General Specifications

Items	VN1600-B1 ~/F6F ~
Engine Oil: type viscosity capacity	API SE, SF or SG class API SH or SJ class with JASO MA SAE10W-40 3.5 L (3.7 US qt, when engine is completely disassembled and dry)
Drive Train Primary Reduction System: Type Reduction Ratio Clutch Type Transmission: Type Gear Ratios: 1st 2nd 3rd 4th 5th Final Drive System: Type Reduction Ratio Overall Drive Ratio Final Gear Case Oil: Grade Viscosity Capacity	Gear 1.517 (85/56) Wet multi disc 5-speed, constant mesh, return shift (CAL, CA, US) 2.500 (40/16) 1.750 (35/20) 1.333 (32/24) 1.074 (29/27) 0.867 (26/30) (other than CAL, CA, US) 2.500 (40/16) 1.590 (35/22) 1.192 (31/26) 0.965 (28/29) 0.781 (25/32) Shaft 2.619 (15/21 × 33/9) (CAL, CA, US) 3.445 @Top gear (other than CAL, CA, US) 3.105 @Top gear API GL-5 Hypoid gear oil SAE90 (above 5°C), SAE80 (below 5°C) 200 mL (12.2 cu in.)
Frame Type Caster (Rake Angel) Trail Front Tire: Type Size Rear Tire: Type Size	Tubular, double cradle 32° 144 mm (5.67 in.) Tubeless 130/70R17 M/C 62H Tubeless 170/60R17 M/C 72H

1-12 GENERAL INFORMATION

General Specifications

Items	VN1600-B1 ~/F6F ~
Rim Size:	
Front	17 × 3.50
Rear	17 × 5.00
Front Suspension:	
Type	Telescopic fork (upside-down)
Wheel Travel	150 mm (5.91 in.)
Rear Suspension:	
Type	Swingarm, air oil shock absorber
Wheel Travel	87 mm (3.43 in.)
Brake Type:	
Front	Dual disc
Rear	Single disc
Electrical Equipment	
Battery	
Capacity	12 V 18 Ah
Headlight:	
Type	Semi-sealed beam
Bulb	12 V 60/55 W (quartz-halogen)
Tail/Brake Light	12 V 5/21 W
Alternator:	
Type	Three-phase AC
Rated Output	23 A × 14 V @6 000 r/min (rpm)

Specifications subject to change without notice, and may not apply to every country.

CA: Canada Model

CAL: California Model

US: United States of America Model

Unit Conversion Table

Prefixes for Units:

Prefix	Symbol	Power
mega	M	× 1 000 000
kilo	k	× 1 000
centi	c	× 0.01
milli	m	× 0.001
micro	μ	× 0.000001

Units of Mass:

kg	×	2.205	=	lb
g	×	0.03527	=	oz

Units of Volume:

L	×	0.2642	=	gal (US)
L	×	0.2200	=	gal (imp)
L	×	1.057	=	qt (US)
L	×	0.8799	=	qt (imp)
L	×	2.113	=	pint (US)
L	×	1.816	=	pint (imp)
mL	×	0.03381	=	oz (US)
mL	×	0.02816	=	oz (imp)
mL	×	0.06102	=	cu in.

Units of Force:

N	×	0.1020	=	kgf
N	×	0.2248	=	lb

kg	×	9.807	=	N
kg	×	2.205	=	lb

Units of Length:

km	×	0.6214	=	mile
m	×	3.281	=	ft
mm	×	0.03937	=	in.

Units of Torque:

N·m	×	0.1020	=	kgf·m
N·m	×	0.7376	=	ft·lb
N·m	×	8.851	=	in·lb

kgf·m	×	9.807	=	N·m
kgf·m	×	7.233	=	ft·lb
kgf·m	×	86.80	=	in·lb

Units of Pressure:

kPa	×	0.01020	=	kgf/cm ²
kPa	×	0.1450	=	psi
kPa	×	0.7501	=	cm Hg

kgf/cm ²	×	98.07	=	kPa
kgf/cm ²	×	14.22	=	psi
cm Hg	×	1.333	=	kPa

Units of Speed:

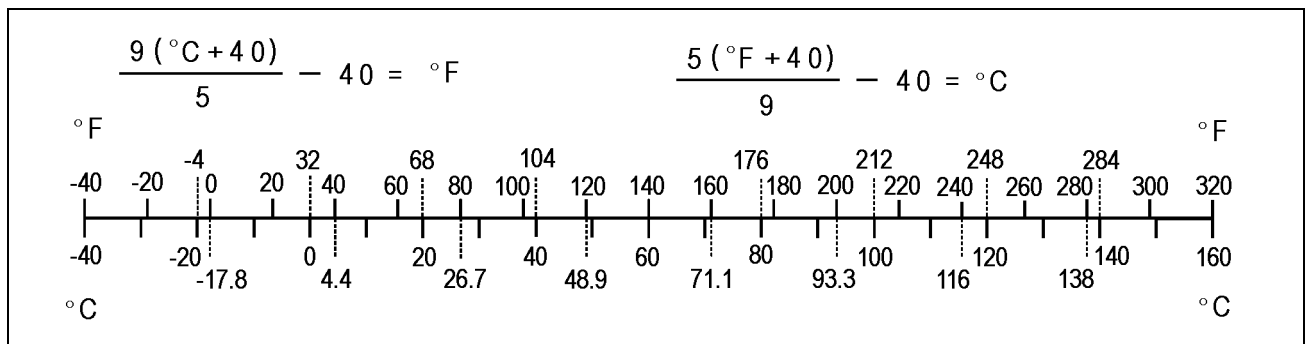
km/h	×	0.6214	=	mph
------	---	--------	---	-----

Units of Power:

kW	×	1.360	=	PS
kW	×	1.341	=	HP

PS	×	0.7355	=	kW
PS	×	0.9863	=	HP

Units of Temperature:



Periodic Maintenance

Table of Contents

Periodic Maintenance Chart	2-2	Final Drive.....	2-26
Torque and Locking Agent.....	2-4	Final Gear Case Oil Level	
Specifications	2-11	Inspection.....	2-26
Special Tools	2-13	Final Gear Case Oil Change.....	2-27
Periodic Maintenance Procedures.....	2-14	Brakes.....	2-28
Fuel System (DFI).....	2-14	Brake Pad Wear Inspection	2-28
Fuel Hose and Connection		Brake Hose and Connection	
Inspection.....	2-14	Inspection.....	2-28
Throttle Control System		Brake Fluid Level Inspection.....	2-28
Inspection.....	2-14	Brake Fluid Change	2-29
Idle Speed Inspection	2-15	Brake Master Cylinder Cup and	
Air Cleaner Element Cleaning.....	2-15	Dust Cover Replacement.....	2-30
Evaporative Emission Control		Caliper Fluid/Dust Seals	
System Inspection (CAL)	2-16	Replacement.....	2-30
Cooling System.....	2-17	Front Brake Light Switch	
Radiator Hose and Connection		Inspection.....	2-31
Inspection.....	2-17	Rear Brake Light Switch	
Coolant Change	2-17	Check/Adjustment.....	2-31
Engine Top End	2-19	Suspension.....	2-31
Air Suction Valve Inspection	2-19	Front Fork Oil Leak Inspection.....	2-31
Clutch.....	2-20	Rear Shock Absorber Oil Leak	
Clutch Hose and Connection		Inspection	2-31
Inspection.....	2-20	Swingarm Pivot Lubrication	2-32
Clutch Fluid Level Inspection	2-20	Steering	2-32
Clutch Fluid Change	2-21	Stem Bearing Lubrication.....	2-32
Clutch Master Cylinder Cup and		Steering Check	2-32
Dust Cover Replacement.....	2-22	Steering Adjustment.....	2-33
Clutch Slave Cylinder Fluid Seal		Electrical System	2-33
Replacement	2-23	Spark Plug Cleaning/Inspection...	2-33
Engine Lubrication System.....	2-23	General Lubrication	2-34
Engine Oil Change.....	2-23	Lubrication	2-34
Oil Filter Replacement	2-25	Nut, Bolt, and Fastener Tightness ..	2-35
Wheels/Tires.....	2-25	Tightness Inspection	2-35
Tire Inspection	2-25		

2-2 PERIODIC MAINTENANCE

Periodic Maintenance Chart

The scheduled maintenance must be done in accordance with this chart to keep the motorcycle in good running condition. **The initial maintenance is vitally important and must not be neglected.**

INSPECTION	FREQUENCY	*ODOMETER READING × 1 000 km (× 1 000 mile)							
	Whichever comes first ↓ Every	1 (0.6)	6 (4)	12 (7.5)	18 (12)	24 (15)	30 (20)	36 (24)	See Page
Air suction valve (e) -inspect †				•		•		•	2-19
Air cleaner element (e) -clean † #					•			•	2-15
Throttle control system (e) -inspect †		•		•		•		•	2-14
Idle speed (e) -inspect †		•		•		•		•	2-15
Fuel hoses, connections-inspect †			•	•	•	•	•	•	2-14
Evaporative emission control system (e) (CAL) -inspect †		•		•		•		•	2-16
Final gear case oil level-inspect †				•		•		•	2-26
Brake pad wear-inspect † #			•	•	•	•	•	•	2-28
Brake light switch-inspect †		•	•	•	•	•	•	•	2-31
Steering-inspect †	year	•		•		•		•	2-32
Tire damage and wear-inspect † #				•		•		•	2-25
Tire air pressure-inspect	year			•		•		•	2-25
Wheel damage-inspect	year			•		•		•	–
Wheel bearing wear and damage-inspect				•		•		•	–
Front fork and rear shock absorber -operation				•		•		•	–
General lubrication-perform	year			•		•		•	2-34
Nut, bolt, and fastener tightness-inspect †		•		•		•		•	2-35
Brake/clutch hoses, connections-inspect †		•	•	•	•	•	•	•	2-20, 2-28
Brake/clutch fluid level-inspect †	month	•	•	•	•	•	•	•	2-20, 2-28
Radiator hoses, connections-inspect †	year	•		•		•		•	2-17
Steering stem bearing-lubricate	2 years					•			2-32

PERIODIC MAINTENANCE 2-3

Periodic Maintenance Chart

CHANGE/REPLACE ITEM	FREQUENCY	*ODOMETER READING × 1 000 km (× 1 000 mile)					
	Whichever comes first ↓ Every	1 (0.6)	12 (7.5)	24 (15)	36 (24)	48 (30)	See Page
Spark plug (e)			•	•	•		2-33
Engine oil #	year	•	•	•	•		2-23
Oil filter	year	•	•	•	•		2-25
Coolant	3 years				•		2-17
Brake/clutch master cylinder cup and dust cover	4 years						2-22, 2-30
Caliper piston seal and dust seal	4 years						2-30
Clutch slave cylinder fluid seal	4 years						2-23
Brake/clutch fluid	2 years			•			2-21, 2-29
Final gear case oil		•			•		2-27
Fuel hose	4 years					•	–

#: Service more frequently when operating in severe conditions; dusty, wet, muddy, high speed or frequent starting/stopping.

*: For higher odometer readings, repeat at the frequency interval established here.

†: Replace, add, adjust, clean, or torque if necessary.

Throttle control system inspection: Inspection of throttle grip play and throttle bore cleanliness.

(CAL): California

(e): Emission Related Items

2-4 PERIODIC MAINTENANCE

Torque and Locking Agent

The following tables list the tightening torque for the major fasteners requiring use of a non-permanent locking agent or liquid gasket.

Letters used in the "Remarks" column mean:

AL: Tighten the two clamp bolts alternately two times to ensure even tightening torque.

EO: Apply engine oil to the threads and the seating surface.

G: Apply grease to the threads.

L: Apply a non-permanent locking agent to the threads.

Lh: Left-hand threads.

MO: Apply molybdenum disulfide oil to the threads and the seating surface. The molybdenum disulfide oil is a mixture of engine oil and molybdenum disulfide grease with a weight ratio (10 : 1).

S: Tighten the fasteners following the specified sequence.

SS: Apply silicone sealant.

St: Stake the fasteners to prevent loosening.

R: Replacement parts

WL: Apply a soap and water solution or rubber lubricant.

Fastener	Torque			Remarks
	N·m	kgf·m	ft·lb	
Fuel System				
Water Temperature Sensor (DFI)	18	1.8	13	SS
Right and Left Air Cleaner Cover Allen Bolt	16	1.6	12	
Right and Left Air Cleaner Base Bolts	11	1.1	97 in·lb	
Right and Left Air Cleaner Base Screws	2.2	0.22	19 in·lb	L, Lower Duct
Right Air Cleaner Allen Bolts	11	1.1	97 in·lb	Throttle Body
Throttle Body Assy Holder Bolts	11	1.1	97 in·lb	Right Side
Right Spark Plug Lead Holder Bolts	11	1.1	97 in·lb	Right Side
Air Cleaner Duct Holder Bolts	9.8	1.0	69in·lb	Left Side
Fuel Pump Bolts	6.9	0.70	61 in·lb	S, L
Inlet Air Temperature Sensor Nut (DFI)	7.8	0.80	69 in·lb	
ISC Pipe Bolts	11	1.1	97 in·lb	
Choke Cable Plate Screw	2.9	0.30	26 in·lb	L, Throttle Body
Inlet Manifold Bolts	12	1.2	106 in·lb	on Cyl. Head
High Pressure Fuel Hose Clamp Screws	1.5	0.15	13 in·lb	
Delivery Joint Screws	3.4	0.35	30 in·lb	Throttle Body
Pressure Regulator Screws	4.9	0.50	43 in·lb	
Throttle Body Flange Bolts	4.9	0.50	43 in·lb	
Return Fuel Check Valve	20	2.0	15	
Cooling System				
Water Pipe Bolts	11	1.1	97 in·lb	
Radiator Fan Bolts	8.3	0.85	74 in·lb	
Radiator Drain Bolt	2.2	0.22	19 in·lb	
Water Temperature Switch	7.8	0.80	69 in·lb	SS
Radiator Fan Switch	18	1.8	13	
Water Pump Impeller Bolt	8.8	0.90	78 in·lb	Lh
Water Pump Cover Bolts	11	1.1	97 in·lb	
Water Pump Drain Bolt	11	1.1	97 in·lb	
Water Pump Air Bleeder Bolt	11	1.1	97 in·lb	
Radiator Hose Clamp Screws	2.5	0.25	22 in·lb	

PERIODIC MAINTENANCE 2-5

Torque and Locking Agent

Fastener	Torque			Remarks
	N·m	kgf·m	ft·lb	
Thermostat Air Bleeder Bolt	7.8	0.80	69 in·lb	
Engine Top End				
Rocker Case Cover Bolts	8.8	0.90	78 in·lb	S
Air Suction Valve Cover Bolts	7.4	0.75	65 in·lb	
Rocker Case Nuts:				
12 mm	78	8.0	58	MO, S
8 mm	25	2.5	18	S
Rocker Case Bolts:				
6 mm	8.8	0.90	78 in·lb	S
Spark Plugs	18	1.8	13	
Spark Plug Retainers	12	1.2	106 in·lb	
Cylinder Head Jacket Plugs	20	2.0	15	L
Rocker Shafts	25	2.5	18	
Exhaust Pipe Cover Clamp Screws	6.9	0.70	61 in·lb	
Premuffler Chamber Bolts	29	3.0	21	
Upper Muffler Bracket Nut	29	3.0	21	
Muffler Stay Mounting Bolts, $\phi 8$	25	2.5	18	Lower Muffler
Upper Muffler Mounting Nuts	25	2.5	18	
Cylinder Head Nuts	25	2.5	18	S
Cylinder Nuts	25	2.5	18	S
Chain Tensioner Cap	20	2.0	15	S
Chain Tensioner Lockbolt	4.9	0.50	43 in·lb	S
Chain Tensioner Mounting Bolts	11	1.1	97 in·lb	S
Camshaft Chain Guide Bolts	11	1.1	97 in·lb	L
Camshaft Sprocket Bolts	15	1.5	11	L
Timing Inspection Cap	1.5	0.15	13 in·lb	
Rotor Bolt Cap	1.5	0.15	13 in·lb	
Oil Hose Flange Bolts	9.8	1.0	87 in·lb	
Clutch				
Clutch Reservoir Cap Screws	1.5	0.15	13 in·lb	
Clutch Slave Cylinder Bleed Valve	7.8	0.80	69 in·lb	
Clutch Master Cylinder Clamp Bolts	9.8	1.0	87 in·lb	S
Clutch Hose Banjo Bolts	25	2.5	18	
Clutch Slave Cylinder Bolts	6.9	0.70	61 in·lb	L
Clutch Hub Nut	147	15	108	MO
Clutch Cover Bolts	11	1.1	95 in·lb	
Clutch Damper Cover Bolts	9.8	1.0	87 in·lb	L
Clutch Cover Damper Screws	4.9	0.50	43 in·lb	L
Clutch Lever Pivot Bolt	1.0	0.10	8.9 in·lb	
Clutch Lever Pivot Bolt Locknut	5.9	0.60	52 in·lb	Si
Starter Lockout Switch Screws	1.2	0.12	10 in·lb	
Clutch Damper Plate Bolts	9.8	1.0	87 in·lb	EO
Clutch Push Rod Guide Bolts	11	1.1	95 in·lb	L

2-6 PERIODIC MAINTENANCE

Torque and Locking Agent

Fastener	Torque			Remarks
	N·m	kgf·m	ft·lb	
Engine Lubrication System				
Oil Filler Cap	1.5	0.15	13 in·lb	
Oil Pipe Holder Bolts (Inside)	11	1.1	97 in·lb	L
Oil Pipe Clamp Bolts (Inside)	11	1.1	97 in·lb	L
Oil Hose Flange Bolt (Outside)	9.8	1.0	87 in·lb	
Oil Hose Banjo Bolts	9.8	1.0	87 in·lb	
Oil Pressure Relief Valve	15	1.5	11	L
Oil Pump Mounting Bolts	11	1.1	97 in·lb	
Oil Pressure Switch	15	1.5	11	SS
Oil Pressure Switch Terminal Screw	1.5	0.15	13 in·lb	
Oil Screen Plug	20	2.0	15	
Oil Filter (Cartridge Type)	18	1.8	13	R, EO
Right & Left Crankcase Oil Nozzles	2.9	0.30	26 in·lb	× 3
Right Crankcase Oil Nozzle	2.9	0.30	26 in·lb	× 1, Lh
Oil Filter Pipe	25	2.5	18	SS
Engine Oil Drain Plug	20	2.0	15	
Oil Baffle Bolt	11	1.1	97 in·lb	L
Engine Removal/Installation				
Downtube Bolts and Nuts	44	4.5	32	
Engine Mounting Bolts and Nuts	44	4.5	32	
Engine Mounting Bracket Bolts	25	2.5	18	
Engine Ground Terminal Bolt	7.8	0.80	69 in·lb	
Crankshaft/Transmission				
Connecting Rod Big End Nuts	59	6.0	44	MO
Starter Clutch Bolt	85	8.7	63	MO
Left Balancer Gear Bolt	85	8.7	63	MO
Camshaft Chain Guide Bolts	11	1.1	97 in·lb	L
Starter Clutch Coupling Bolts	15	1.5	11	L
Right, Left Crankcase Oil Nozzles	2.9	0.30	26 in·lb	× 3
Right Crankcase Oil Nozzles	2.9	0.30	26 in·lb	× 1, Lh
Bearing Retainer Bolts	11	1.1	97 in·lb	L
Shift Drum Bearing Holder Bolts	11	1.1	95 in·lb	L
Oil Baffle Bolt	11	1.1	97 in·lb	L
Primary Gear Bolt	147	15	108	MO
Crankcase Bolts:				
10 mm	39	4.0	29	S
8 mm	21	2.1	15	S
6 mm	11	1.1	97 in·lb	S
Clutch Push Rod Guide Bolts	11	1.1	97 in·lb	L
Engine Oil Drain Plug	20	2.0	15	
Frame Ground Bracket Bolt	11	1.1	97 in·lb	Left Crankcase
Oil Pressure Switch Terminal Screw	1.5	0.15	13 in·lb	
Oil Pressure Switch	15	1.5	11	SS

PERIODIC MAINTENANCE 2-7

Torque and Locking Agent

Fastener	Torque			Remarks
	N·m	kgf·m	ft·lb	
Oil Return Pipe Bolts (Inside)	11	1.1	97 in·lb	L
Oil Pipe Holder Bolts (Inside)	11	1.1	97 in·lb	L
Oil Pipe Clamp Bolts (Inside)	11	1.1	97 in·lb	L
Shift Shaft Return Spring Pin (Bolt)	39	4.0	29	L
Shift Rod Locknuts	9.8	1.0	87 in·lb	(Rear: Lh)
Rear Shift Lever Clamp Bolt	12	1.2	106 in·lb	
Gear Set Lever Bolt	11	1.1	97 in·lb	L
Shift Drum Cam Bolt	15	1.5	11 in·lb	L
Shift Pedal Clamp Bolt	30	3.1	22	
Damper Cam Nut (Front Gear)	195	20	144	MO (threads)
Idle Shaft Holder Bolts	8.3	0.85	73 in·lb	
Water Pump Chain Guide Spring Hook Bolt	2.9	0.30	26 in·lb	
Water Pump Chain Guide Bolt	8.3	0.85	73 in·lb	
Oil Pressure Relief Valve	15	1.5	11	L
Oil Filter Pipe	25	2.5	18	SS
Oil Hose Banjo Bolts	9.8	1.0	87 in·lb	
Wheels/Tires				
Front Axle Clamp Bolts	29	3.0	21	AL
Front Axle	108	11	79.6	
Rear Axle Nut	108	11	79.6	
Tire Air Valve Nuts	1.5	0.15	13 in·lb	
Tire Air Valve Caps	0.15	0.015	1.3 in·lb	
Air Valve Cores	0.30	0.030	2.6 in·lb	
Final Drive				
Oil Pipe Banjo Bolts (Front Gear)	12	1.2	106 in·lb	
Oil Nozzle (Front Gear)	2.9	0.30	26 in·lb	
Oil Nozzle (Front Gear)	18	1.8	13	
Neutral Switch	15	1.5	11	
Front Gear Case Bolts:				
6 mm	12	1.2	106 in·lb	S
8 mm	29	3.0	21	S
Speed Sensor Mounting Bolt	9.8	1.0	87 in·lb	L
Bearing Retainer Bolts (Front Gear)	8.8	0.90	78 in·lb	L
Damper Cam Nut (Front Gear)	195	20	144	MO (threads)
Drive Gear Nut (Front Gear)	265	27	195	MO, St
Driven Gear Bolt (Front Gear)	120	12	89	MO, St
Driven Gear Assy Mounting Bolts	25	2.5	18	
Final Gear Case Drain Plug	8.8	0.90	78 in·lb	
Final Gear Case Mounting Nuts	34	3.5	25	
Final Gear Case Studs	–	–	–	L
Final Gear Case Cover Bolts:				
8 mm	23	2.3	17	L
10 mm	34	3.5	25	L

2-8 PERIODIC MAINTENANCE

Torque and Locking Agent

Fastener	Torque			Remarks
	N·m	kgf·m	ft·lb	
Pinion Gear Nut (Final Gear)	127	13	93	MO, St
Bearing Retainer Bolt (Final Gear)	6.9	0.70	61 in·lb	L
Brakes				
Brake Hose Banjo Bolts	34	3.5	25	
Front Brake Reservoir Cap Screws	1.5	0.15	13 in·lb	
Brake Lever Pivot Bolt	1.0	0.10	8.9 in·lb	Si
Brake Lever Pivot Bolt Locknut	5.9	0.60	52 in·lb	
Front Master Cylinder Clamp Bolts	8.8	0.90	78 in·lb	S
Front Brake Light Switch Screw	1.2	0.12	11 in·lb	
Caliper Bleed Valves	7.8	0.80	69 in·lb	
Front Caliper Mounting Bolts	34	3.5	25	
Brake Disc Bolts	27	2.8	20	L
Front Caliper Assembly Bolts (VN1600-B1)	21	2.1	15	
Front Caliper Assembly Bolts (VN1600-B2 ~)	22	2.2	16	
Front Brake Pad Spring Bolts (VN1600-B1)	2.9	0.30	26 in·lb	
Front Brake Pad Pins (VN1600-B2 ~)	15	1.5	11	
Rear Master Cylinder Mounting Bolts	25	2.5	18	
Rear Master Cylinder Push Rod Locknut	18	1.8	13	
Brake Pedal Clamp Bolt	25	2.5	18	
Rear Caliper Mounting Bolts	34	3.5	25	
Rear Caliper Holder Bolt	64	6.5	47	
Suspension				
Front Fork Clamp Bolts (Upper)	29	3.0	21	
Front Fork Clamp Bolts (Lower)	29	3.0	21	
Front Fork Top Plugs	34	3.5	25	
Piston Rod Nuts (Right)	20	2.0	15	
Joint Rod Nut (Left)	20	2.0	15	
Inner Fork Bolt (Left)	98	10	72	
Front Fork Bottom Allen Bolt (Right)	20	2.0	15	L
Front Axle Clamp Bolts	29	3.0	21	AL
Protector Screws	5.9	0.60	52 in·lb	
Rear Shock Absorber Nuts	34	3.5	25	
Shock Absorber Air Valves	5.4	0.55	48 in·lb	
Swingarm Pivot Shaft	108	11	79.6	G
Steering				
Steering Stem Head Nut	88	9.0	65	
Steering Stem Nut	4.9	0.50	43 in·lb	S
Handlebar Nuts	34	3.5	25	
Front Fork Clamp Bolts (Upper)	29	3.0	21	
Front Fork Clamp Bolts (Lower)	29	3.0	21	AL
Frame				
Downtube Bolts and Nuts	44	4.5	32	
Rear Footpeg Bracket Bolts	25	2.5	18	L

Torque and Locking Agent

Fastener	Torque			Remarks
	N·m	kgf·m	ft·lb	
Sidestand Nut	44	4.5	32	
Electrical System				
Starter Lockout Switch Screw	1.2	0.12	11 in·lb	
Front Brake Light Switch Screw	1.2	0.12	11 in·lb	
Headlight Mounting Screws	2.9	0.30	26 in·lb	
Headlight Rim Screws	1.4	0.14	12 in·lb	
Headlight Body Bracket Screws	1.2	0.12	11 in·lb	
Headlight Body Mounting Nuts	7.8	0.80	69 in·lb	
Turn Signal Light Mounting Nuts:				
Front	5.9	0.60	52 in·lb	
Rear	6.9	0.70	61 in·lb	
Spark Plugs	18	1.8	13	
Water Temperature Switch	7.8	0.80	69 in·lb	SS
Radiator Fan Switch	18	1.8	13	
Sidestand Switch Bolt	8.8	0.90	78 in·lb	L
License Plate Lens Screws	1.0	0.10	8.9 in·lb	
License Plate Light Mounting Screw	1.2	0.12	11 in·lb	
Alternator Outer Cover Bolts	6.9	0.70	61 in·lb	WL
Alternator Outer Cover Joint Bolts	6.9	0.70	61 in·lb	L
Alternator Outer Cover Damper Bolts	6.9	0.70	61 in·lb	L
Alternator Outer Cover Assembly Bolts	6.9	0.70	61 in·lb	
Alternator Cover Bolts	11	1.1	97 in·lb	
Alternator Inner Cover Bolts	11	1.1	97 in·lb	
Alternator Rotor Bolt	78	8.0	58	MO
Alternator Stator Bolts	13	1.3	115 in·lb	L
Regulator/Rectifier Bolts	6.5	0.66	58 in·lb	
Timing Inspection Cap	1.5	0.15	13 in·lb	
Rotor Bolt Cap	1.5	0.15	13 in·lb	
Crankshaft Sensor Screws	2.9	0.30	26 in·lb	
Stator Lead Holder Screw	9.8	1.0	87 in·lb	L
Crankshaft Sensor Lead Holder Bolt	2.9	0.30	26 in·lb	L
Oil Pressure Switch Terminal Screw	1.5	0.15	13 in·lb	
Oil Pressure Switch	15	1.5	11	SS
Neutral Switch	15	1.5	11	
Speed Sensor Mounting Bolt	9.8	1.0	87 in·lb	
Starter Motor Terminal Locknut	11	1.1	97 in·lb	
Starter Motor Terminal Nut	4.9	0.50	43 in·lb	
Starter Motor Assembly Bolts	4.9	0.50	43 in·lb	
Starter Motor Mounting Bolts	11	1.1	97 in·lb	

2-10 PERIODIC MAINTENANCE

Torque and Locking Agent

The table below, relating tightening torque to thread diameter, lists the basic torque for the bolts and nuts. Use this table for only the bolts and nuts which do not require a specific torque value. All of the values are for use with dry solvent-cleaned threads.

Basic Torque for General Fasteners

Threads dia. (mm)	Torque		
	N·m	kgf·m	ft·lb
5	3.4 ~ 4.9	0.35 ~ 0.50	30 ~ 43 in·lb
6	5.9 ~ 7.8	0.60 ~ 0.80	52 ~ 69 in·lb
8	14 ~ 19	1.4 ~ 1.9	10.0 ~ 13.5
10	25 ~ 34	2.6 ~ 3.5	19.0 ~ 25
12	44 ~ 61	4.5 ~ 6.2	33 ~ 45
14	73 ~ 98	7.4 ~ 10.0	54 ~ 72
16	115 ~ 155	11.5 ~ 16.0	83 ~ 115
18	165 ~ 225	17.0 ~ 23.0	125 ~ 165
20	225 ~ 325	23 ~ 33	165 ~ 240

Specifications

Item	Standard	Service Limit
Fuel System (DFI)		
Throttle Grip Free Play	2 ~ 3 mm (0.08 ~ 0.12 in.)	---
Idle Speed	950 ±50 r/min (rpm)	---
Air Cleaner Element	Paper filter	---
Cooling System		
Coolant:		
Type (Recommended)	Permanent type antifreeze	---
Color	Green	---
Mixed Ratio	Soft water 50%, Coolant 50%	---
Freezing Point	-35°C (-31°F)	---
Total Amount	2.3 L (2.4 US qt)	---
Engine Top End		
Valve Clearance	Non-adjustable (hydraulic lash adjusters)	---
Clutch		
Clutch Fluid:		
Grade	DOT4	---
Clutch Lever Free Play	Non-adjustable	---
Engine Lubrication System		
Engine Oil:		
Type	API SE, SF or SG	---
	API SH or SJ with JASO MA	---
Viscosity	SAE 10W-40	---
Capacity	2.9 L (3.1 US qt, when filter is not removed)	---
	3.1 L (3.3 US qt, when filter is removed)	---
	3.5 L (3.7 US qt, when engine is completely disassembled and dry)	---
Level	Between upper and lower level lines (Wait 2 ~ 3 minutes after idling or running)	---
Tires		
Tread Depth:		
Front	DUNLOP D220F STG: 4.4 mm (0.17 in.)	1 mm (0.04 in.), (DE, AT, CH): 1.6 mm (0.063 in.)
Rear	DUNLOP D220 STG: 6.9 mm (0.27 in.)	Up to 130 km/h (80 mph): 2 mm (0.08 in.)
		Over 130 km/h (80 mph): 3 mm (0.1 in.)
Air Pressure (When cold):		
Front	Up to 184 kg (405 lb) load: 250 kPa (2.5 kgf/cm ² , 36 psi)	---
Rear	Up to 184 kg (405 lb) load: 250 kPa (2.5 kgf/cm ² , 36 psi)	---

2-12 PERIODIC MAINTENANCE

Specifications

Item	Standard	Service Limit
Final Drive		
Final Gear Case Oil:		
Grade	API GL-5 hypoid gear oil	---
Viscosity	when above 5°C (41°F) SAE90 when below 5°C (41°F) SAE80	---
Oil Level	Filler opening bottom	---
Amount	200 mL (6.76 US oz)	---
Propeller Shaft Joint Grease	20 mL (0.68 US oz), high-temperature grease	---
Brakes		
Brake Fluid		
Grade	DOT4	---
Brake Pad Lining Thickness:		
Front	4.0 mm (0.12 in.)	1 mm (0.04 in.)
Rear	7.5 mm (0.295 in.)	1 mm (0.04 in.)
Brake Light Timing:		
Front	Pulled ON	---
Rear	ON after about 10 mm (0.39 in.) of pedal travel	---
Electrical System		
Spark Plug Gap	0.8 ~ 0.9 mm (0.031 ~ 0.035 in.)	---

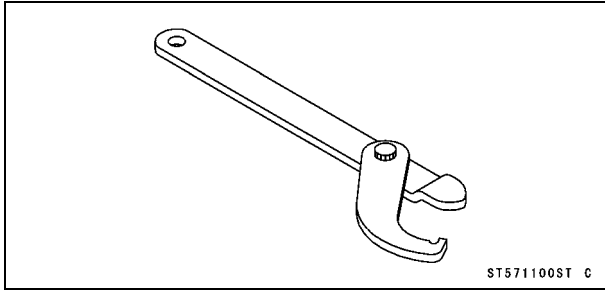
AT: Republic of Austria

CH: Swiss Confederation

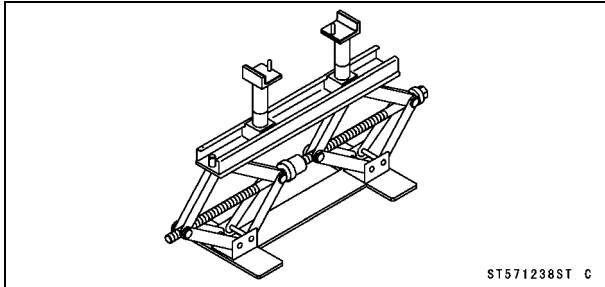
DE: Federal Republic of Germany

Special Tools

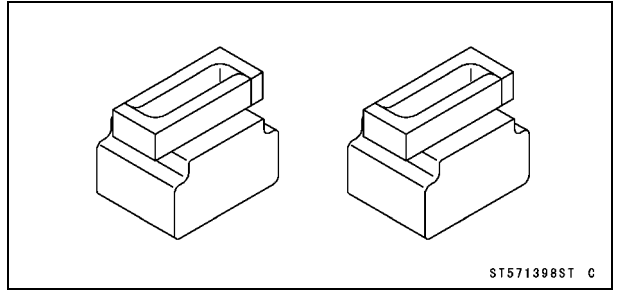
Steering Stem Nut Wrench:
57001-1100



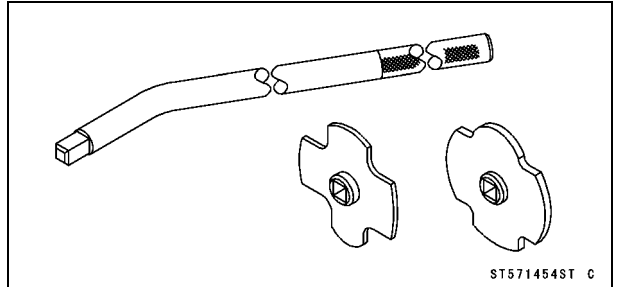
Jack:
57001-1238



Attachment Jack:
57001-1398



Filler Cap Driver:
57001-1454



2-14 PERIODIC MAINTENANCE

Periodic Maintenance Procedures

Fuel System (DFI)

Fuel Hose and Connection Inspection

○The fuel hoses are designed to be used throughout the motorcycle's life without any maintenance, however, if the motorcycle is not properly handled, the high pressure inside the fuel line can cause fuel to leak [A] or the hose to burst. Remove the fuel tank (see Fuel System chapter) and check the fuel hose.

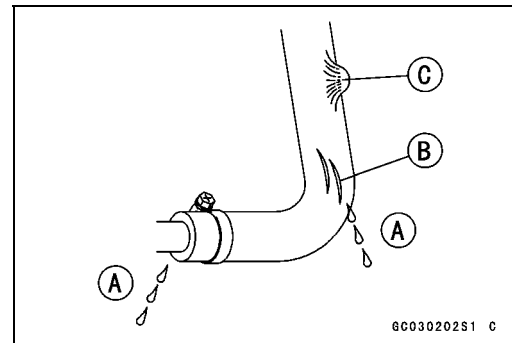
★Replace the fuel hose if any fraying, cracks [B] or bulges [C] are noticed.

● Check that the hoses are securely connected and clamps are tightened correctly.

● When installing, route the hoses according to Cable, Wire, and Hose Routing section in the Appendix chapter.

● When installing the fuel hoses, avoid sharp bending, kinking, flattening or twisting, and route the fuel hoses with a minimum of bending so that the fuel flow will not be obstructed.

★Replace the hose if it has been sharply bent or kinked.



Throttle Control System Inspection

● Check the throttle grip free play [A].

★If the free play is incorrect, adjust the throttle cable (see below).

Throttle Grip Free Play

Standard: 2 ~ 3 mm (0.08 ~ 0.12 in.)

● Check that the throttle grip moves smoothly from close to full open, and the throttle closes quickly and completely in all steering positions by the return spring.

★If the throttle grip doesn't return properly, check the throttle cable routing, grip free play, and cable damage. Then lubricate the throttle cable.

● Run the engine at the idle speed, and turn the handlebar all the way to the right and left to ensure that the idle speed doesn't change.

★If the idle speed increases, check the throttle grip free play and the cable routing.

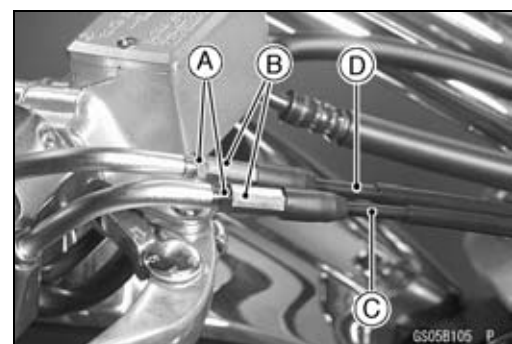
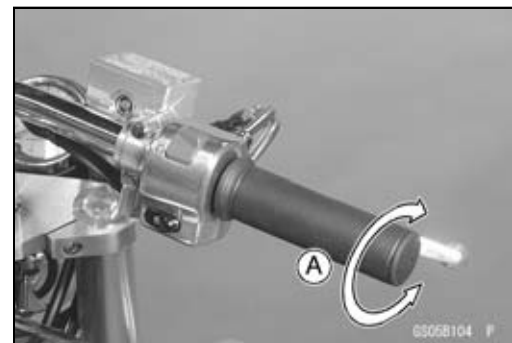
● If necessary, adjust the throttle cable as follows:

○Loosen the locknuts [A] and screw the adjusters [B] all the way in so as to give the throttle grip plenty of play (rear view).

○Turn out the adjuster of the decelerator cable [C] until there is no play.

○Tighten the locknut against the adjuster.

○Turn the adjuster of the accelerator cable [D] until the proper amount of throttle grip free play is obtained and tighten the locknut against the adjuster.



Periodic Maintenance Procedures

Idle Speed Inspection

- Start the engine and warm it up thoroughly.
- At first the engine will run fast to decrease warm up time (fast idle).
- Gradually the fast idle will lower to a certain RPM automatically. This is the idle speed.
- Check the idle speed.

Idle Speed

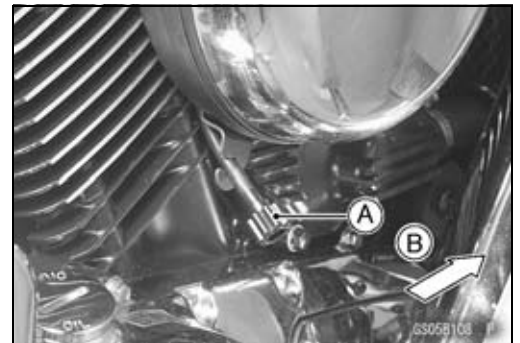
Standard: 950 ±50 r/min (rpm)

- With the engine idling, turn the handlebar to both sides.
- ★ If handlebar movement changes the idle speed, the throttle cables may be improperly adjusted or incorrectly routed or damaged. Be sure to correct any of these conditions before riding (see Cable, Wire, and Hose Routing section in the Appendix chapter).

⚠ WARNING

Operation with improperly adjusted, incorrectly routed or damaged cables could result in an unsafe riding condition.

- ★ If the idle speed is out of the specified range, adjust it.
 - Start the engine and warm it up thoroughly.
 - Wait until fast idle speed lowers to a certain value.
 - Turn the adjusting screw [A] until the idle speed is correct.
 - Open and close the throttle a few times to make sure that the idle speed is within the specified range. Readjust if necessary.
- Front [B]

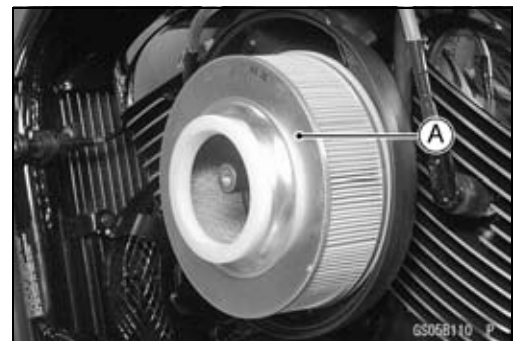
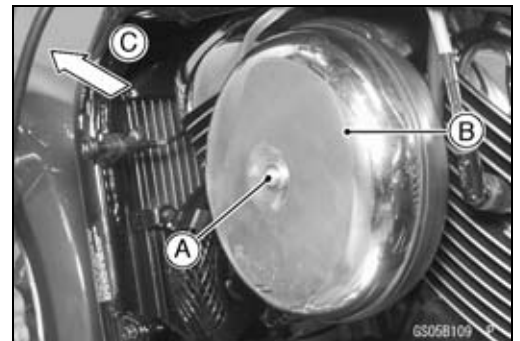


Air Cleaner Element Cleaning

NOTE

- In dusty areas, the element should be cleaned more frequently than the recommended interval.
- After riding through rain or on muddy roads, the element should be cleaned immediately.

- Remove:
 - Allen Bolt [A] and Washer and Left Air Cleaner Cover [B]
 - Front [C]
- Remove the element [A].
- Push a clean, lint-free towel into the lower air cleaner duct to keep dirt or other foreign material from entering.



⚠ WARNING

If dirt or dust is allowed to pass through into the throttle body assy, the throttle may become stuck, possibly causing accident.

CAUTION

If dirt gets through into the engine, excessive engine wear and possibly engine damage will occur.

2-16 PERIODIC MAINTENANCE

Periodic Maintenance Procedures

- Clean the element by tapping it lightly to loosen dust.
- Blow away the remaining dust by applying compressed air [A] from the inside to the outside (from the clean side to the dirty side).
- Visually check the element for no tears or no breaks and check the sponge gasket [B] also.
- ★ If the element or gasket has any tears or breaks, replace the element.
- Install the left air cleaner cover.

Torque - Left Air Cleaner Cover Allen Bolt: 16 N·m (1.6 kgf·m, 12 ft·lb)

Evaporative Emission Control System Inspection (CAL)

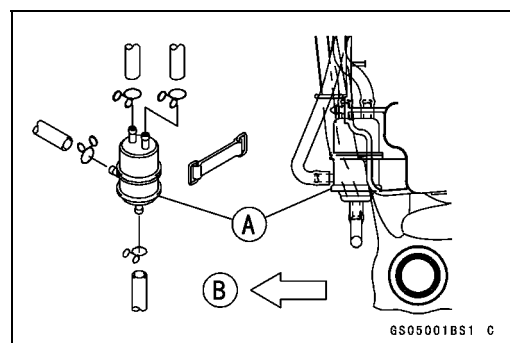
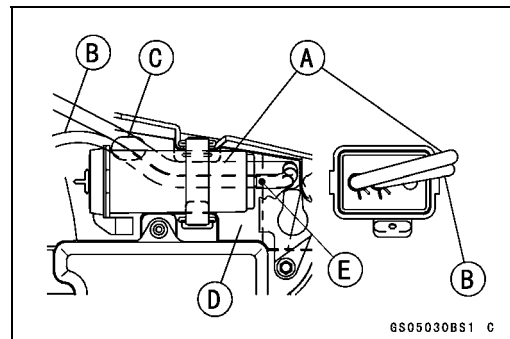
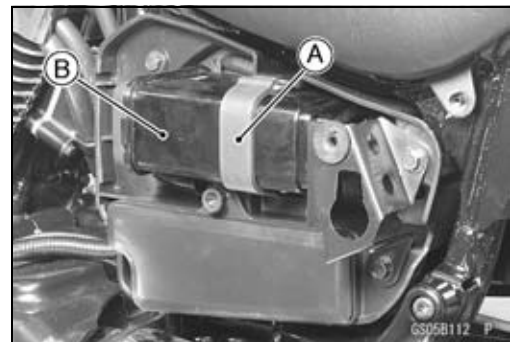
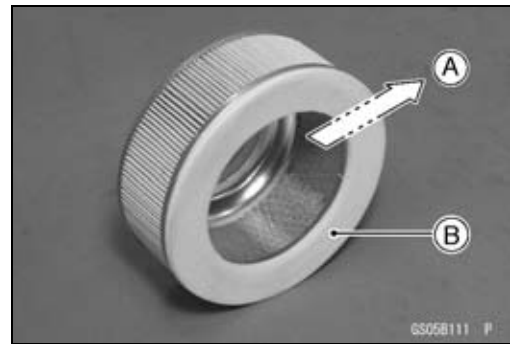
- Inspect the canister as follows:
 - Remove the left side cover (see Frame chapter).
 - Remove the band [A] and take out the canister [B].
 - Visually inspect the canister for cracks and other damage.
- ★ If the canister has any cracks or bad damage, replace it with a new one.

NOTE

○ The canister is designed to work well through the motorcycle's life without any maintenance if it is used under normal conditions.

- Run the purge hose (green) [A] above the canister breather hose (blue) [B] through the hole [C] into the tool case [D].
- Do not run these hoses side by side on the battery side of the canister. This prevents hoses from being flattened when installing the left side cover.
- Install the canister and the left side cover (see Frame chapter).
- Face the white mark [E] left as shown.

- Check the liquid/vapor separator as follows:
 - Disconnect the hoses from the separator, and remove the separator [A] from the motorcycle right side.
Front [B]
 - Visually inspect the separator for cracks and other damage.
 - ★ If the separator has any cracks or damage, replace it with a new one.
 - To prevent the gasoline from flowing into or out of the canister, hold the separator perpendicular to the ground.
- Check the hoses of the evaporative emission control system as follows:
 - Check that the hoses are securely connected and clips are in position.
 - Replace any kinked, deteriorated or damaged hoses.
 - Route the hoses according to Cable, Wire, and Hose Routing section in the Appendix chapter. Refer to the diagram of the Evaporative Emission Control System in the Fuel System chapter too.
 - When installing the hoses, avoid sharp bending, kinking, flattening or twisting, and route the hoses with a minimum of bending so that the emission flow will not be obstructed.



Periodic Maintenance Procedures

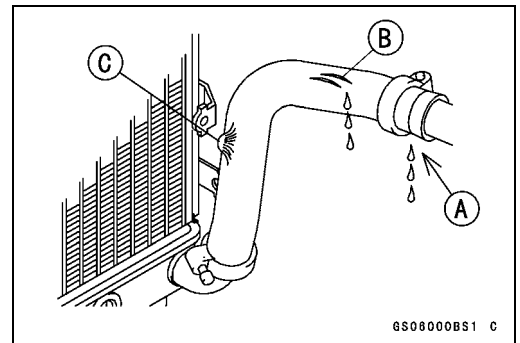
Cooling System

Radiator Hose and Connection Inspection

○The high pressure inside the radiator hose can cause coolant to leak [A] or the hose to burst if the line is not properly maintained. Visually inspect the hoses for signs of deterioration. Squeeze the hoses. A hose should not be hard and brittle, nor should it be soft or swollen.

- ★Replace the hose if any fraying, cracks [B] or bulges [C] are noticed.
- Check that the hoses are securely connected and clamps are tightened correctly.

Torque - Radiator Hose Clamp Screws: 2.5 N·m (0.25 kgf·m, 22 in·lb)



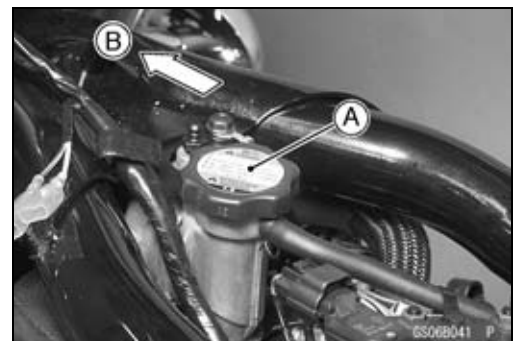
Coolant Change

⚠ WARNING

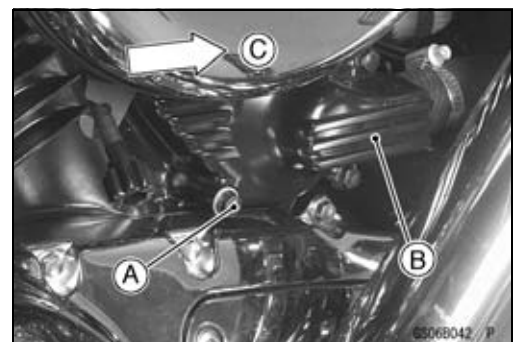
To avoid burns, do not remove the radiator cap or try to change the coolant when the engine is still hot. Wait until it cools down. Coolant on tires will make them slippery, and can cause an accident and injury. Since coolant is harmful to the human body, do not use for drinking.



- Place a container under the radiator drain bolt [A], then remove the drain bolt (front view).
- Remove the fuel tank (see Fuel System (DFI) chapter).
- Remove the radiator cap [A] in two steps. First turn the cap counterclockwise to the first stop. Then push and turn it further in the same direction and remove the cap.
- The coolant will drain from the radiator and engine.
Front [B]



- Remove the water pump drain bolt [A]. The remaining coolant will drain from the water pump [B].
- Place a conduit under the drain hole of the pump cover. The conduit leads to a container.
Front [C]



2-18 PERIODIC MAINTENANCE

Periodic Maintenance Procedures

- Remove:
 - Right Side Cover (see Frame chapter)
 - Reserve Tank Bolts
- Turn over the reserve tank [A], remove the cap [B], and pour the coolant into a suitable container.
- Install the reserve tank.
- When filling the coolant, choose a suitable mixture ratio by referring to the coolant manufacturer's directions.

CAUTION

Soft or distilled water must be used with the antifreeze (see Specifications in this chapter) in the cooling system.

If hard water is used in the system, it causes scale accumulation in the water passages, and considerably reduces the efficiency of the cooling system.

Water and Coolant Mixture Ratio (when shipping)

Soft Water	:	50%
Coolant	:	50%
Freezing Point	:	-35°C (-31°F)
Total Amount	:	2.3 L (2.4 US qt)

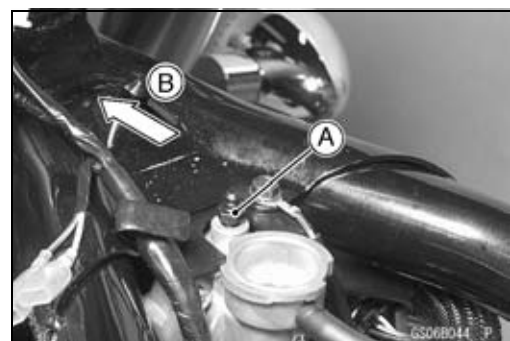
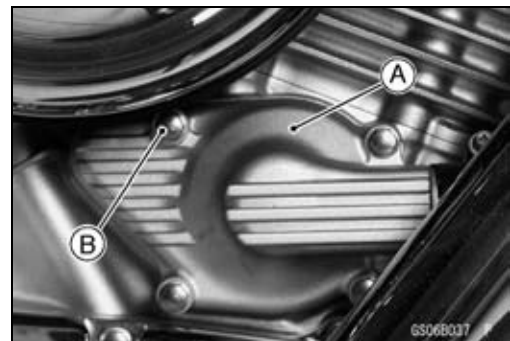
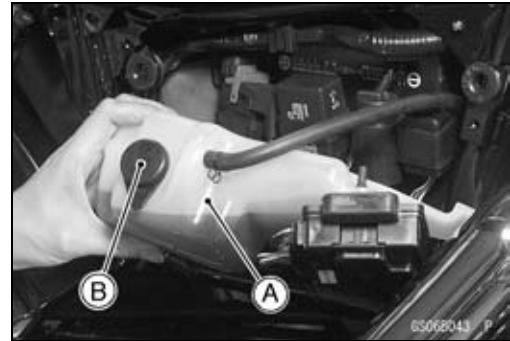
- Tighten the drain bolts.
 - Torque - Radiator Drain Bolt: 2.2 N·m (0.22 kgf·m, 19 in·lb)
 - Water Pump Drain Bolt: 11 N·m (1.1 kgf·m, 97 in·lb)
- Fill the coolant into the radiator.

NOTE

○Fill in the coolant slowly so that it can expel the air from the engine and radiator.

- Check the cooling system for leaks.
- Bleed the air from the water pump [A].
- Loosen the air bleeder bolt [B] until the coolant seeps out around the bolt, then tighten it.
 - Torque - Water Pump Air Bleeder Bolt: 11 N·m (1.1 kgf·m, 97 in·lb)

- Next, loosen the air bleeder bolt [A] on the thermostat housing.
 - Front [B]
- Replenish the coolant into the radiator until the coolant begins to flow out the air bleeder bolt hole (that is, all the remaining air is forced out).
- Tap the radiator hoses to force any air bubbles caught inside.



Periodic Maintenance Procedures

- Fill the radiator up to the filler neck [A] with coolant.
 - Install the radiator cap.
 - Tighten the air bleeder bolt [B].
- Torque - Thermostat Air Bleeder Bolt: 7.8 N·m (0.80 kgf·m, 69 in·lb)**



- Fill the reserve tank up to the “F” (full) level line [A] with coolant and install the cap.
- Install the fuel tank (see Fuel System (DFI) chapter).
- Start the engine and warm it up thoroughly until the radiator fan turns on and then stop the engine.
- Check the coolant level in the reserve tank several times while the engine is cooling down, and replenish as necessary.
- ★ If the coolant level is lower than the “L” level line, add coolant to the “F” level line.



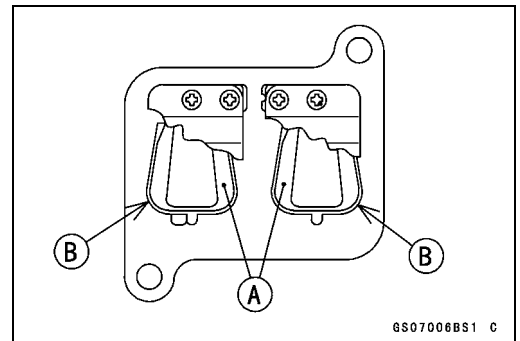
CAUTION

Do not add more coolant above the “F” level line.

Engine Top End

Air Suction Valve Inspection

- Remove the air suction valve (see Engine Top End chapter).
 - Visually inspect the reeds for cracks, folds, warps, heat damage or other damage.
 - ★ If there is any doubt as to the condition of the reeds [A], replace the air suction valve as an assembly.
 - Check the reed contact areas [B] of the valve holder for grooves, scratches, any signs of separation from the holder or heat damage.
- If there is any doubt as to the condition of the reed contact areas, replace the air suction valve as an assembly.
 - If any carbon or other foreign particles have accumulated between the reed and the reed contact area, wash the valve assembly clean with a high-flash point solvent.



CAUTION

Do not scrape off the deposits with a scraper as this could damage the rubber, requiring replacement of the suction valve assembly.

2-20 PERIODIC MAINTENANCE

Periodic Maintenance Procedures

Clutch

Clutch Hose and Connection Inspection

- The high pressure inside the clutch line can cause fluid to leak [A] or the hose to burst if the line is not properly maintained. Bend and twist the rubber hose while examining it.
- ★ Replace it if any fraying, cracks [B] or bulges [C] are noticed.
- Check that the hoses are securely connected and banjo bolts are tightened correctly.

Torque - Clutch Hose Banjo Bolts: 25 N·m (2.5 kgf·m, 18 ft·lb)

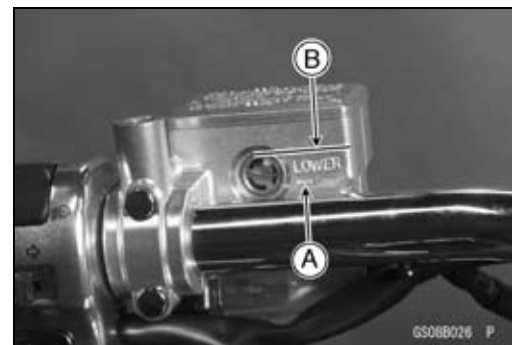
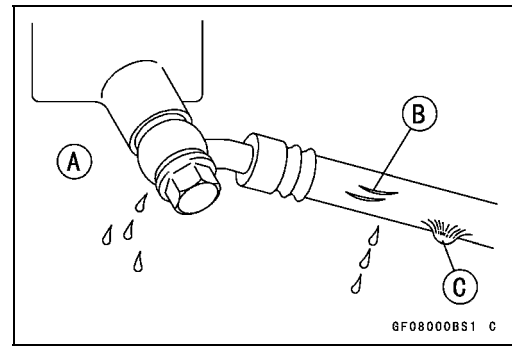
- When installing the clutch hose, route the hoses according to Cable, Wire, and Hose Routing section in the Appendix chapter.
- ★ Replace the hose if it has been sharply bent or kinked.

Clutch Fluid Level Inspection

- Hold the clutch fluid reservoir horizontal.
- Check that the clutch fluid level of the clutch reservoir is between the lower [A] and the upper [B] level lines.
- ★ If the fluid level is lower than the lower level line, fill the reservoir to the upper level line in the reservoir.
- Tighten:

Torque - Clutch Reservoir Cap Screws: 1.5 N·m (0.15 kgf·m, 13 in·lb)

- Since the clutch fluid is the same as the brake fluid, refer to Brakes Section in this chapter for further details.



⚠ WARNING

Change the fluid in the clutch line completely if the fluid must be refilled but the type and brand of the fluid that already is in the reservoir are unidentified. After changing the fluid, use only the same type and brand of fluid thereafter. Mixing different types and brands of fluid lowers the fluid boiling point and could cause the clutch to be ineffective. It may also cause the rubber clutch parts to deteriorate.

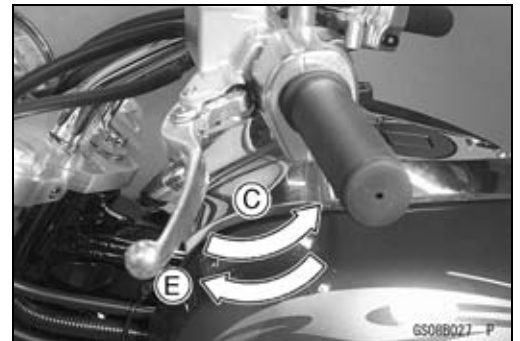
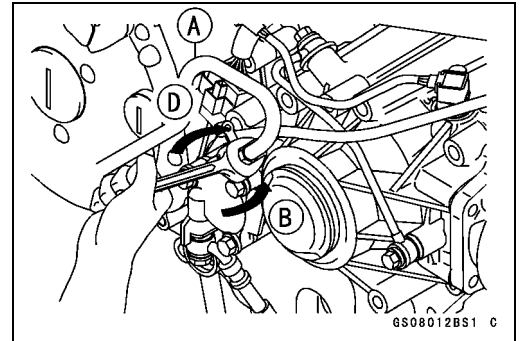
Periodic Maintenance Procedures

Clutch Fluid Change

- Level the clutch fluid reservoir and remove the reservoir cap.
- Remove the alternator outer cover (see Electrical System chapter.) and the rubber cap from the bleed valve on the clutch slave cylinder.
- Attach a clear plastic hose [A] to the bleed valve and run the other end of the hose into a container.
- Fill the reservoir with fresh fluid.
- Change the clutch fluid as follows.
 - Open [B] the bleed valve, using a wrench.
 - Pump the clutch lever and hold [C] it.
 - Close [D] the bleed valve.
 - Release [E] the clutch lever.
- Repeat this operation until fresh fluid comes out from the plastic hose or the color of the fluid changes.
- Check the fluid level in the reservoir often, replenishing it as necessary.

NOTE

- *If the fluid in the reservoir runs completely out any time during fluid changing, the bleeding operation must be done over again from the beginning since air will have entered the line.*



⚠ WARNING

Do not mix two brands of fluid.

- After changing the fluid, check the clutch for good clutch power and no fluid leakage.
- ★ If necessary, bleed the air from the lines (see Clutch Line Bleeding in the Clutch chapter).
- Remove the clear plastic hose.
- Install the reservoir cap.
- Tighten the bleed valve, and install the rubber cap.

Torque - Clutch Reservoir Cap Screws: 1.5 N·m (0.15 kgf·m, 13 in·lb)

Clutch Slave Cylinder Bleed Valve: 7.8 N·m (0.80 kgf·m, 69 in·lb)

2-22 PERIODIC MAINTENANCE

Periodic Maintenance Procedures

Clutch Master Cylinder Cup and Dust Cover Replacement

- Remove the clutch master cylinder (see Clutch chapter).
- Remove the reservoir cap [A] and diaphragm [B], and pour the clutch fluid into a container.
- Unscrew the locknut [C] and pivot bolt [D], and remove the clutch lever [E].
- Pull the dust cover [F] out of place, and remove the circlip [G].

Special Tool - Inside Circlip Pliers: 57001-143

- Pull out the primary cup [H], piston assembly [I], and return spring [J].

CAUTION

Do not remove the secondary cup [K] from the piston since removal will damage it.

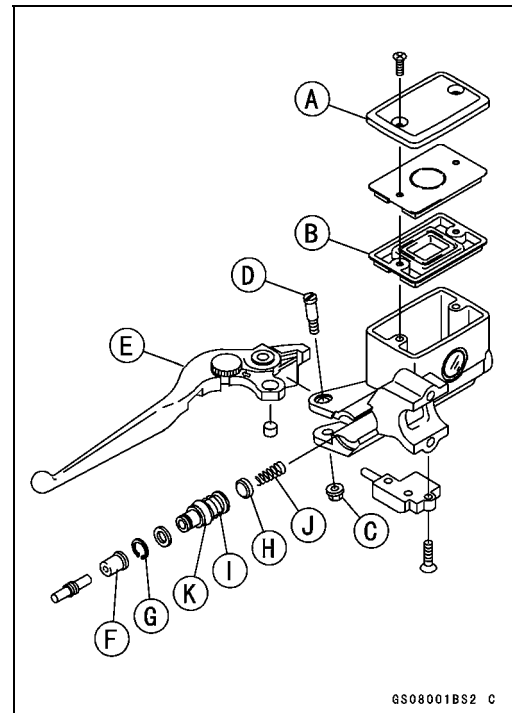
- Check the parts of the clutch master cylinder (see Clutch chapter).
- ★ If any part shows signs of damage, replace it.

- Before assembly, clean all parts including the master cylinder with clutch fluid or alcohol.

CAUTION

Use only disc brake fluid, isopropyl alcohol or ethyl alcohol, for cleaning parts. Do not use any other fluid for cleaning these parts. Gasoline, motor oil or any other petroleum distillate will cause deterioration of the rubber parts. Oil spilled on any part will be difficult to wash off completely, and will eventually deteriorate the rubber used in the cylinder.

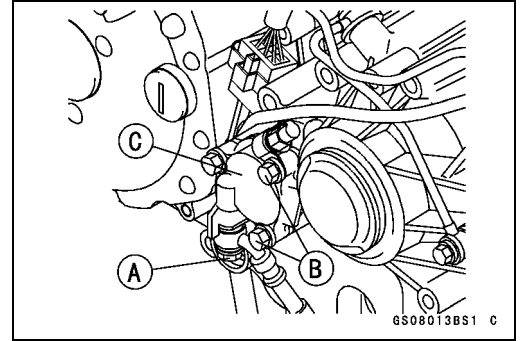
- Apply clutch fluid to the parts removed and to the inner wall of the cylinder.
- Take care not to scratch the piston or the inner wall of the cylinder.
- Install the push rod with the dust cover fitted into the groove.
- The push rod round end must be faced inwards.
- Tighten:
 - Torque - Clutch Lever Pivot Bolt: 1.0 N·m (0.10 kgf·m, 8.9 in·lb)**
 - Clutch Lever Pivot Bolt Locknut: 5.9 N·m (0.60 kgf·m, 52 in·lb)**
- Install the clutch master cylinder (see Clutch chapter).



Periodic Maintenance Procedures

Clutch Slave Cylinder Fluid Seal Replacement

- Remove the alternator outer cover (see Electrical System chapter)
- Loosen the banjo bolt [A] at the clutch pipe lower end, and tighten it loosely.
- Unscrew the slave cylinder bolts [B] and detach the slave cylinder with the pipe installed from the engine.
- Pump the clutch lever until the piston comes out of the cylinder.
- Unscrew the banjo bolt and remove the slave cylinder [C].



CAUTION

Immediately wash away any clutch fluid that spills. It may damage painted surfaces.

NOTE

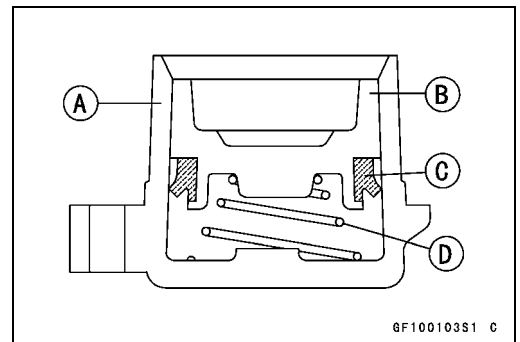
○If the clutch slave cylinder is removed and left alone, the piston will be pushed out by spring force.

- Remove the spring and fluid seal.

CAUTION

Replace the fluid seal with a new one if it was removed from the piston.

- Before assembly, apply clutch fluid to the outside of the piston and the fluid seal.
- Install the piston fluid as shown.
 - Cylinder [A]
 - Piston [B]
 - Fluid Seal [C]
 - Spring [D]



Engine Lubrication System

Engine Oil Change

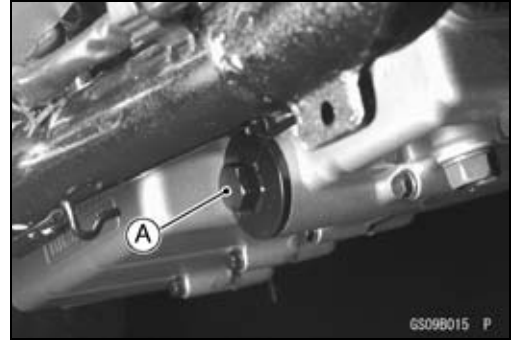
- Situate the motorcycle so that it is vertical after warming up the engine.
- Remove the engine oil drain plug [A] and drain the oil.



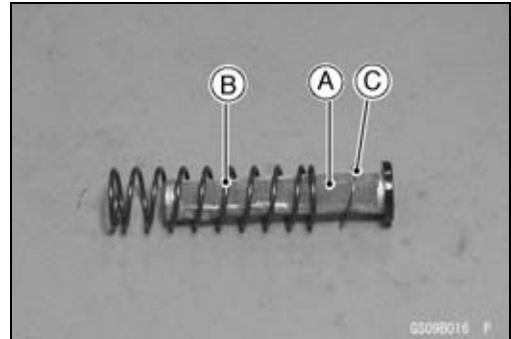
2-24 PERIODIC MAINTENANCE

Periodic Maintenance Procedures

- Remove:
Oil Screen Plug [A]



- Remove the oil screen [A], the spring [B], and the washer [C].
- Clean the oil screen with a high-flash point solvent and remove any particles stuck to it.
- Clean the screen thoroughly whenever the engine oil is changed.



⚠ WARNING

Clean the screen in a well-ventilated area, and take care that there is no spark or flame anywhere near the working area. Because of the danger of highly flammable liquids, do not use gasoline or low-flash point solvents.

NOTE

○ *While cleaning the screen, check for any metal particles that might indicate internal engine damage.*

- Check the screen carefully for any damage of holes, broken wires, and so on.
- ★ If the screen is damaged, replace it.
- Be sure to put in the oil screen with the rubber gasket end inside.
- ★ Replace the screen plug O-ring with new one.
- Tighten:
Torque - Oil Screen Plug: 20 N·m (2.0 kgf·m, 15 ft·lb)
- The oil in the filter can be drained by removing the filter (see Oil Filter Change in this section).
- ★ Replace the drain plug gasket with a new one if it is damaged.
- Tighten:
Torque - Engine Oil Drain Plug , Oil Screen Plug: 20 N·m (2.0 kgf·m, 15 ft·lb)
Oil Filter: 18 N·m (1.8 kgf·m, 13 ft·lb)

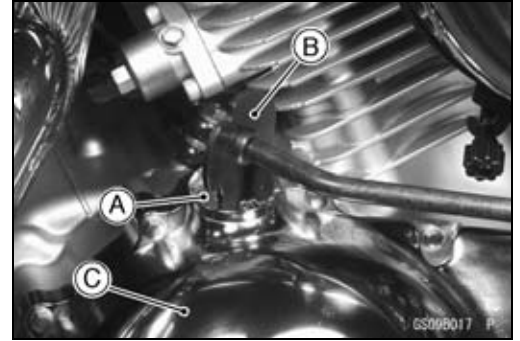
Periodic Maintenance Procedures

- Remove the oil filler cap [A] with the filler cap driver [B] and pour in the specified type and amount of oil.
Clutch Cover [C]

Special Tool - Filler Cap Driver: 57001-1454

- Tighten:

Torque - Oil Filler Cap: 1.5 N·m (0.15 kgf·m, 13 in·lb)



Engine Oil

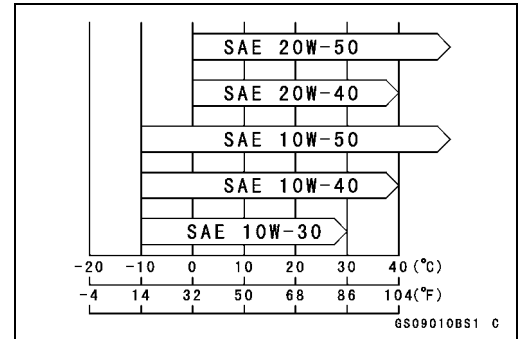
Type: API SE, SF or SG class
API SH or SJ class with JASO MA

Viscosity: SAE 10W-40

Amount: 2.9 L (3.1 US qt, when filter is not removed)

3.1 L (3.3 US qt, when filter is removed)

3.5 L (3.7 US qt, when engine is completely disassembled and dry)



NOTE

- Although 10W-40 engine oil is the recommended oil for most conditions, the oil viscosity may need to be changed to accommodate atmospheric conditions in your riding area.

Oil Filter Replacement

- Drain the engine oil (see Engine Oil Change in this section).
- Remove the oil filter [A] with the oil filter wrench [B] and discard the oil filter.

Special Tool - Oil Filter Wrench: 57001-1249

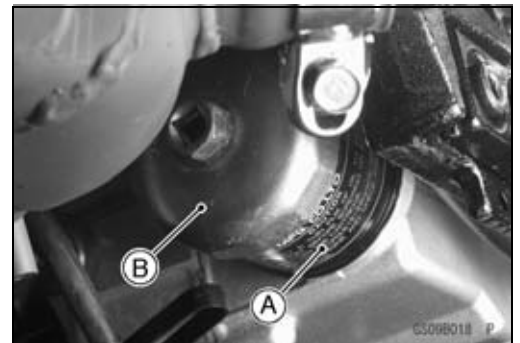
NOTE

- The filter has an oil filter bypass valve which can not be removed.

- Replace the oil filter with the new one.
- Apply oil to the gasket of the new filter before installation.
- Tighten the filter with the oil filter wrench.

Torque - Oil Filter: 18 N·m (1.8 kgf·m, 13 ft·lb)

- Pour in the specified type and amount of oil.



Wheels/Tires

Tire Inspection

As the tire tread wears down, the tire becomes more susceptible to puncture and failure. An accepted estimate is that 90% of all tire failures occur during the last 10% of tread life (90% worn). So it is false economy and unsafe to use the tires until they are bald.

- Remove any imbedded stones or other foreign particles from the tread.
- Visually inspect the tire for cracks and cuts, replacing the tire in case of damage. Swelling or high spots indicate internal damage, requiring tire replacement.

2-26 PERIODIC MAINTENANCE

Periodic Maintenance Procedures

- Measure the tread depth at the center of the tread with a depth gauge [A]. Since the tire may wear unevenly, take measurement at several places.
- ★ If any measurement is less than the service limit, replace the tire (see Wheels/Tires chapter).

Tread Depth

Standard:

Front 4.4 mm (0.17 in.)

Rear 6.9 mm (0.27 in.)

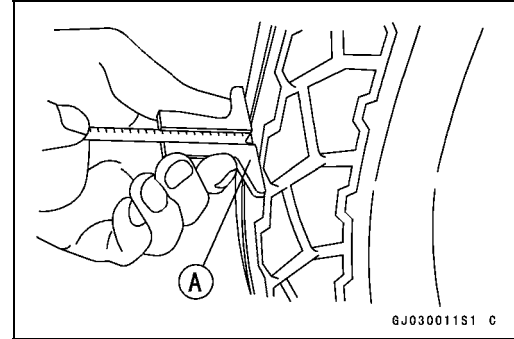
Service Limit:

Front 1 mm (0.04 in.)

(DE, AT, CH) 1.6 mm (0.063 in.)

Rear 2 mm (0.08 in.): Up to 130 km/h (80 mph)

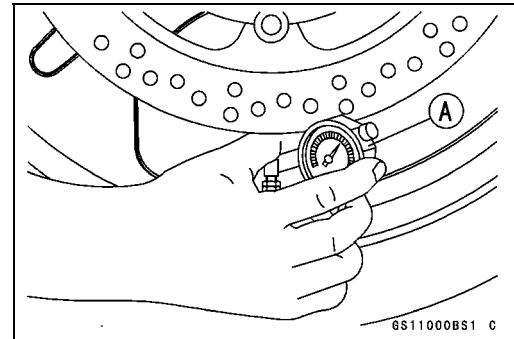
3 mm (0.1 in.): Over to 130 km/h (80 mph)



- Measure the tire air pressure with an air pressure gauge [A] when the tires are cold (that is, when the motorcycle has not been ridden more than a mile during the past 3 hours.)
- ★ Adjust the tire air pressure according to the specifications if necessary.

Air Pressure (when cold)

Front	Up to 184 kg (405 lb)	250 kPa (2.5 kgf/cm ² , 36 psi)
Rear	Up to 184 kg (405 lb)	250 kPa (2.5 kgf/cm ² , 36 psi)



⚠ WARNING

To ensure safe handling and stability, use only the recommended standard tires for replacement, inflated to the standard pressure. Use the same manufacturer's tires on both front and rear wheels.

NOTE

- Most countries may have their own regulations requiring a minimum tire tread depth; be sure to follow them.
- Check and balance the wheel when a tire is replaced with a new one (see Wheels/Tires chapter).

Final Drive

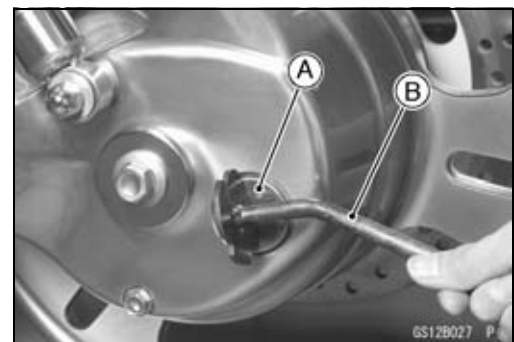
Final Gear Case Oil Level Inspection

⚠ WARNING

Motorcycle operation with insufficient, deteriorated, or contaminated oil causes accelerated wear and may result in seizure of the pinion and ring gears. Seizure can lock the rear wheel and skid the rear tire, with consequent loss of control.

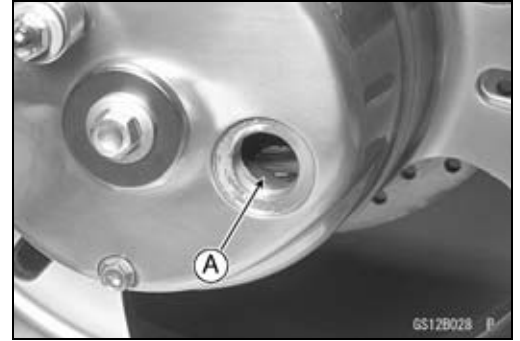
- Support the motorcycle perpendicular to the ground.
- Unscrew the filler plug [A], using the filler cap driver [B].

Special Tool - Filler Cap Driver: 57001-1454



Periodic Maintenance Procedures

- The oil level [A] should come to the bottom of the filler opening.
- ★ If it is low, first check the final gear case for oil leakage, remedy it if necessary, and add oil through the filler opening. Use the same type and brand of oil that is already in the final gear case.
- Install the filler plug.



Final Gear Case Oil Change

- Warm up the oil by running the motorcycle so that the oil will pick up any sediment and drain easily. Stop the motorcycle and turn the ignition switch OFF.
- Place an oil pan beneath the final gear case, and remove the filler cap and drain plug [A].



⚠ WARNING

When draining or filling the final gear case, be careful that no oil gets on the tire, spoke, or rim. Clean off any oil that inadvertently gets on them with a high-flash point solvent.

- After the oil has completely drained out, install the drain plug with a new gasket.
- Tighten:
Torque - Final Gear Case Drain Plug: 8.8 N·m (0.90 kgf·m, 78 in·lb)
- Fill the final gear case with the specified oil and quantity.

Final Gear Case Oil:

- Amount:** 200 mL (6.76 US oz)
- Grade:** API GL-5 hypoid gear oil
- Viscosity:** When above 5°C (41°F) SAE 90
 When below 5°C (41°F) SAE 80

NOTE

○ The term "GL-5" indicates a quality and additive rating. A "GL-6" rated hypoid gear oil can also be used.

- Be sure the O-ring is in place, and install the filler plug.

2-28 PERIODIC MAINTENANCE

Periodic Maintenance Procedures

Brakes

Brake Pad Wear Inspection

- Remove the brake pads (see Brakes chapter).
- Check the lining thickness [A] of the pads in each caliper.
- ★ If the lining thickness of either pad is less than the service limit [B], replace both pads in the caliper as a set (see Brakes chapter).

Pad Lining Thickness

Standard:

Front 4.0 mm (0.157 in.)

Rear 7.5 mm (0.295 in.)

Service Limit: 1 mm (0.04 in.)

- Install the pads (see Brakes chapter).

Brake Hose and Connection Inspection

- Inspect the brake hose and fittings for deterioration, cracks and signs of leakage.
- The high pressure inside the brake line can cause fluid to leak [A] or the hose to burst if the line is not properly maintained. Bend and twist the rubber hose while examining it.
- ★ Replace the hose if any cracks [B] or bulges [C] are noticed.
- ★ Tighten any loose fittings.

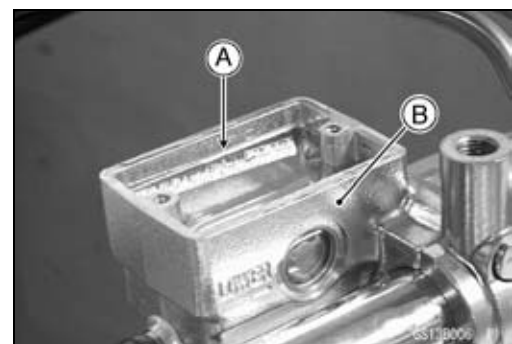
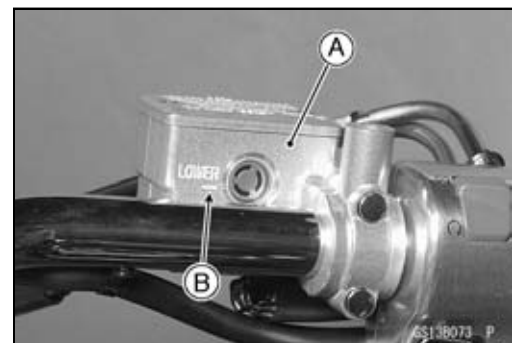
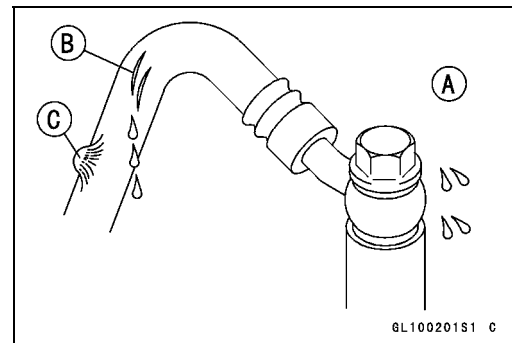
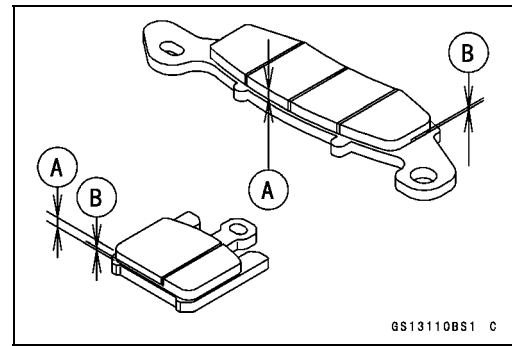
Brake Fluid Level Inspection

- Check that the brake fluid level in the front brake reservoir [A] is above the lower [B] level line.

NOTE

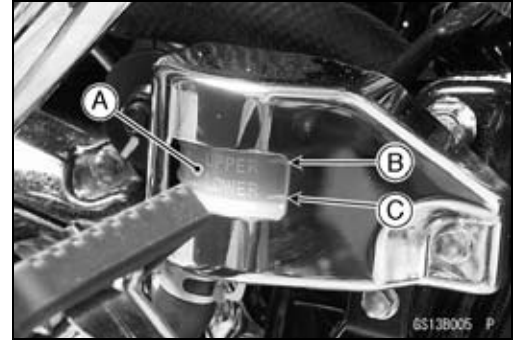
○ Hold the reservoir horizontal by turning the handlebar when checking brake fluid level.

- ★ If the fluid level is lower than the lower level line, fill the reservoir to the upper level line [A] in the reservoir [B].



Periodic Maintenance Procedures

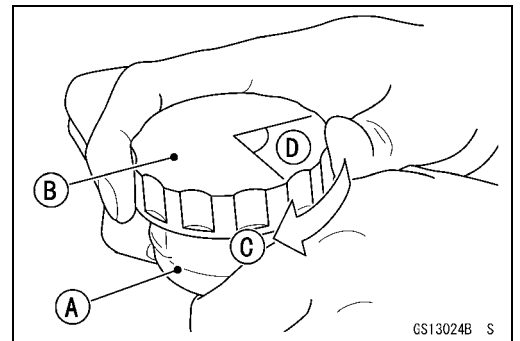
- Check that the brake fluid level in the rear brake reservoir [A] is between the upper [B] and the lower [C] level lines.
- ★ If the fluid level is lower than the lower level line, fill the reservoir to the upper level line.
- Tighten:
 - Torque - Front Brake Reservoir Cap Screws: 1.5 N·m (0.15 kgf·m, 13 in·lb)**
- Use extra heavy-duty brake fluid only from a container marked DOT4.
- Brake fluid of DOT4 is installed in the brake system when shipped.



⚠ WARNING

Do not mix two brands of fluid. Change the brake fluid in the brake line completely if the brake fluid must be refilled but the type and brand of the brake fluid that is already in the reservoir are unidentified. After changing the fluid, use only the same type and brand of fluid thereafter.

- Follow the procedure below to install the rear brake fluid reservoir cap correctly.
- First, tighten the rear brake fluid reservoir cap [B] clockwise [C] by hand until the resistance is felt indicating that the cap is seated on the reservoir body, then tighten the cap an additional 1/6 turn [D] while holding the brake fluid reservoir body [A].



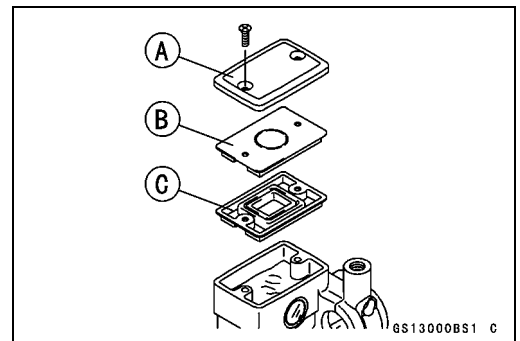
Brake Fluid Change

NOTE

○ The procedure to change the front brake fluid is as follows. Changing the rear brake fluid is almost the same as for the front brake.

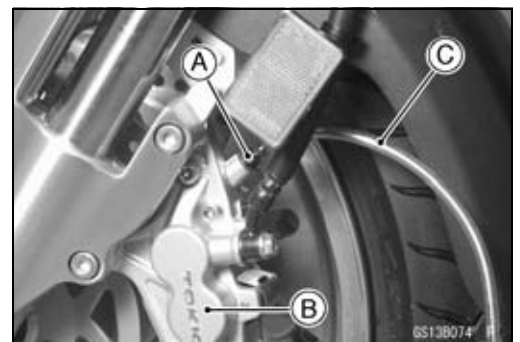
- Level the brake fluid reservoir.
- Remove the reservoir cap [A], plate [B] and diaphragm [C]

- Remove the rubber cap from the bleed valve [A] on the front caliper [B].
- Attach a clear plastic hose [C] to the bleed valve, and run the other end of the hose into a container.
- Fill the reservoir with new brake fluid.
- Temporarily install the reservoir cap.
- Change the brake fluid as follows:



NOTE

○ The fluid level must be checked often during the changing operation and replenished with fresh brake fluid. If the fluid in the reservoir runs out any time during the changing operation, the brakes will need to be bled since air will have entered the brake line.



2-30 PERIODIC MAINTENANCE

Periodic Maintenance Procedures

○ Repeat this operation until fresh brake fluid comes out from the plastic hose or the color of the fluid changes.

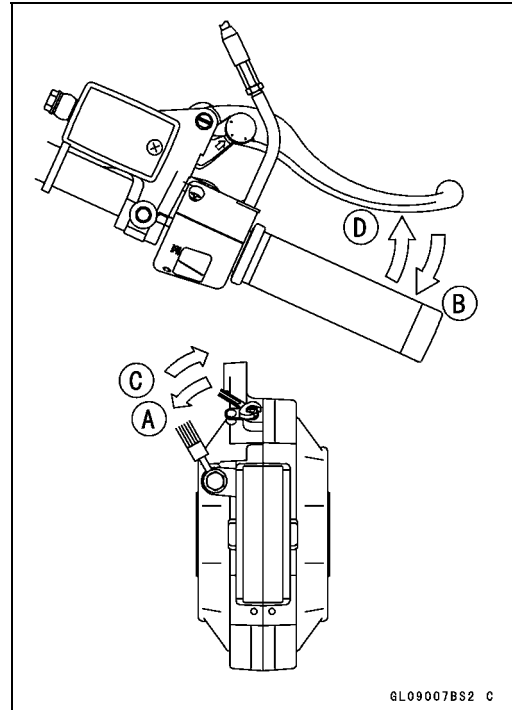
Open the bleed valve [A].

Pump the brake lever and hold it [B].

Close the bleed valve [C].

Release the brake lever [D].

Front Brake: Repeat the above steps for other caliper.

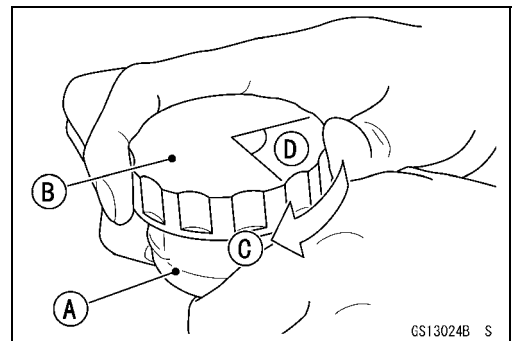


● Remove the clear plastic hose.

● Install the reservoir cap.

● Follow the procedure below to install the rear brake fluid reservoir cap correctly.

○ First, tighten the rear brake fluid reservoir cap [B] clockwise [C] by hand until the resistance is felt indicating that the cap is seated on the reservoir body, then tighten the cap an additional 1/6 turn [D] while holding the brake fluid reservoir body [A].



● Tighten the bleed valves, and install the rubber caps.

Torque - Caliper Bleed Valves: 7.8 N·m (0.80 kgf·m, 69 in·lb)

Front Brake Reservoir Cap Screws: 1.5 N·m (0.15 kgf·m, 13 in·lb)

○ For the rear brake caliper [A], change the brake fluid for two bleed valves [B].

● After changing the fluid, check the brake for good braking power, no brake drag, and no fluid leakage.

★ If necessary, bleed the air from the lines (see Brakes chapter).



Brake Master Cylinder Cup and Dust Cover Replacement

● Refer to the Master Cylinder section in the Brakes chapter for Brake/Master Cylinder Cup and Dust Cover Replacement.

Caliper Fluid/Dust Seals Replacement

● Refer to the Calipers section in the Brakes chapter for Caliper Fluid/Dust Seals Replacement.

Periodic Maintenance Procedures

Front Brake Light Switch Inspection

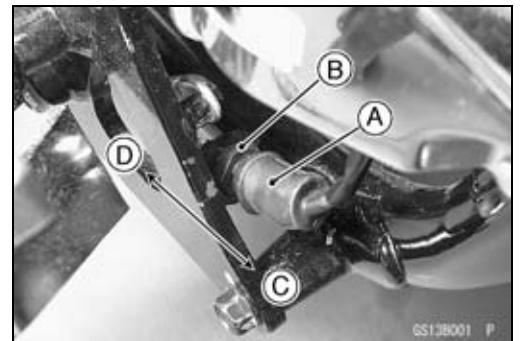
- Turn on the ignition switch.
- The brake light should go on when the front brake lever is applied.
- ★ If it does not, replace the switch.

Rear Brake Light Switch Check/Adjustment

- Turn on the ignition switch.
- Check the operation of the rear brake light switch by depressing the brake pedal [A]. The brake light should go on after about **10 mm (0.39 in.)** of the pedal travel [B].



- ★ If it does not, adjust the brake light switch.
- While holding the switch body, turn the adjusting nut to adjust the switch.
 - Switch Body [A]
 - Adjusting Nut [B]
 - Light sooner as the body rises [C]
 - Light later as the body lowers [D]



CAUTION

To avoid damaging the electrical connections inside the switch, be sure that the switch body does not turn during adjustment.

Suspension

Front Fork Oil Leak Inspection

- Visually inspect the front forks [A] for oil leakage, scoring or scratches on the outer surface of the inner tubes.
- ★ Replace or repair any defective parts, if necessary.



Rear Shock Absorber Oil Leak Inspection

- Visually inspect the shock absorbers [A] for oil leakage.
- ★ If they are oil leaked, one unit feels weaker than the other, replace both shock absorber as a set.

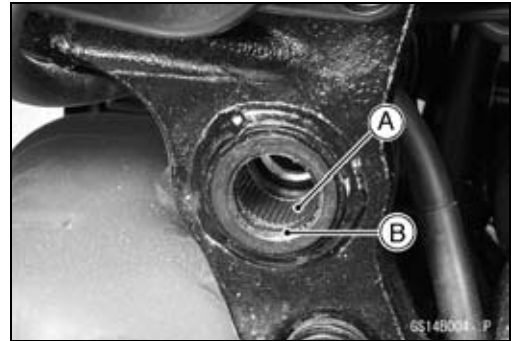


2-32 PERIODIC MAINTENANCE

Periodic Maintenance Procedures

Swingarm Pivot Lubrication

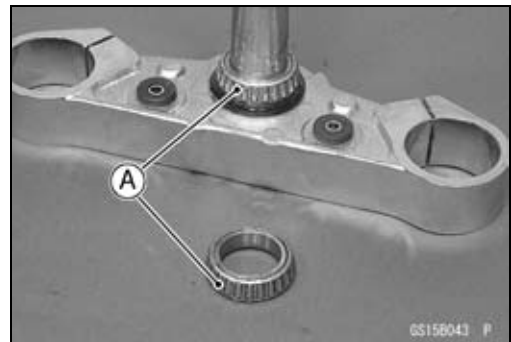
- Remove the swingarm (see Suspension chapter).
- Clean the old grease out of the bearings.
- Apply grease to the inner surface of the needle bearings [A].
- Apply a thin coat of grease to the lips [B] of the grease seals.
- Install the swingarm (see Suspension chapter).



Steering

Stem Bearing Lubrication

- Remove the steering stem. (see Steering chapter).
- Using a high-flash point solvent, wash the upper and lower tapered roller bearings [A] in the cages, and wipe the upper and lower outer races, which are press-fitted into the frame head pipe, clean of grease and dirt.
- Visually check the outer races and the rollers.
- ★ If the rollers or races are worn, or if either race is dented, replace both races and all the roller bearings as a set (see Steering chapter).
- Pack the upper and lower tapered roller bearings in the cages with grease, and apply a light coat of grease to the upper and lower outer races.
- Install the steering stem, and adjust the steering (see Steering chapter).



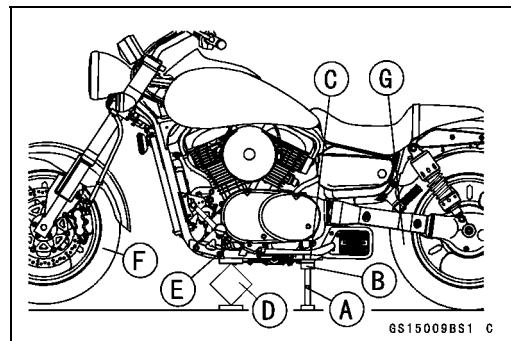
Steering Check

- Check steering as follows.
- Use the jack [A], the attachment jack [B] under the frame pipe ribs [C], and a commercially available jack [D] under the engine [E] to lift the front wheel [F] off the ground.

Special Tools - Jack: 57001-1238

Attachment Jack: 57001-1398

- With the front wheel pointing straight ahead, alternately tap each end of the handlebar. The front wheel should swing fully right and left from the force of gravity until the fork hits the stop.
- ★ If the wheel binds or catches before the stop, the steering is too tight.
- Feel for steering looseness by pushing and pulling [A] the fork.
- ★ If you feel looseness, the steering is too loose.



NOTE

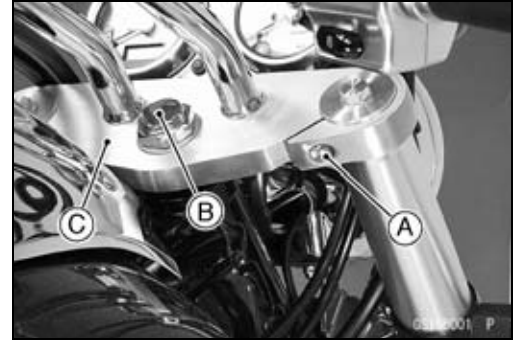
- The cables and wiring will have some effect on the motion of the fork which must be taken into account. Be sure the wires and cables are properly routed.
- The bearings must be in good condition and properly lubricated in order for any test to be valid.



Periodic Maintenance Procedures

Steering Adjustment

- ★ Adjust the steering, if necessary.
- Loosen the upper fork clamp bolt [A] on both side and unscrew the stem head nut [B].
- Remove the O-ring (see Steering chapter).
- Remove the steering stem head [C] together with the handlebar installed.



- Remove the claw washer.
- Tighten the stem nut [A] firmly with the stem nut wrench [B], and loosen it.

Special Tool - Steering Stem Nut Wrench: 57001-1100

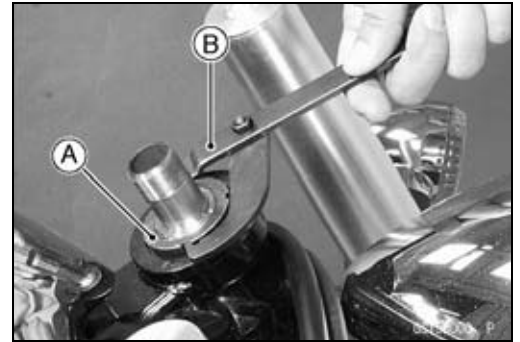
- Tighten the stem nut again with the specified torque.

Torque - Steering Stem Nut: 4.9 N·m (0.50 kgf·m, 43 in·lb)

- Install the stem head.
- Tighten the following in the order listed.

Torque - Steering Stem Head Nut: 88 N·m (9.0 kgf·m, 65 ft·lb)

Front Fork Clamp Bolts (Upper): 29 N·m (3.0 kgf·m, 21 in·lb)



- Run the throttle cables, brake hose, and clutch hose in accordance with the Cable, Wire, and Hose Routing section in the Appendix chapter.
- Check and adjust the steering and throttle cables after installation.

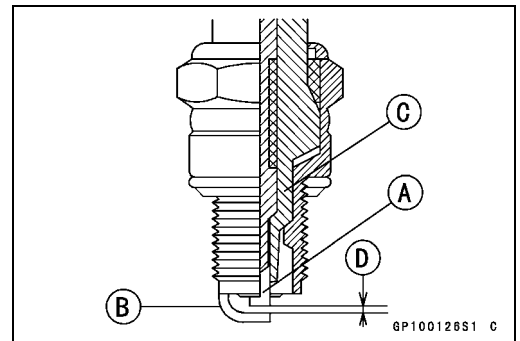
⚠ WARNING

Do not attempt to ride the motorcycle until a full brake lever is obtained by pumping the brake lever until the pads are against the disc. The brakes will not function on the first application of the lever if this is not done.

Electrical System

Spark Plug Cleaning/Inspection

- Clean the spark plug, preferably in a sandblasting device, and then clean off any abrasive particles. The plug may also be cleaned using a high-flash point solvent and a wire brush or other tool.
- ★ If the spark plug center electrode [A] and/or side electrode [B] are corrected or damaged, or if the insulator [C] is cracked, replace the plug.
- Use the standard spark plug or its equivalent.
- Measure the gap [D] with a wire-type thickness gauge.
- ★ If the gap is incorrect, carefully bend the side electrode with a tool to obtain the correct gap.



Spark Plug Gap: 0.8 ~ 0.9 mm (0.031 ~ 0.035 in.)

2-34 PERIODIC MAINTENANCE

Periodic Maintenance Procedures

General Lubrication

Lubrication

- Before lubricating each part, clean off any rusty spots with rust remover and wipe off any grease, oil, dirt, or grime.
- Lubricate the points listed below with indicated lubricant.

NOTE

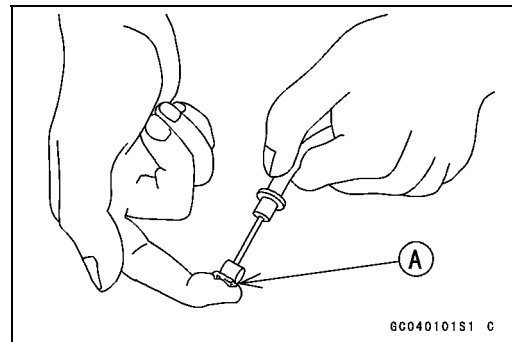
○Whenever the vehicle has been operated under wet or rainy conditions, or especially after using a high-pressure water spray, perform the general lubrication.

Pivots: Lubricate with Motor Oil.

Rear Brake Rod Joint

Points: Lubricate with Grease.

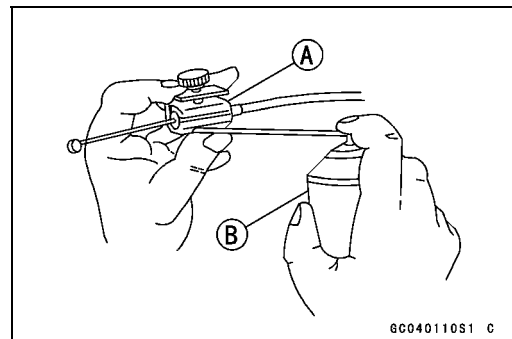
Throttle Inner Cable Upper Ends [A]
Clutch Lever Pivot (Apply silicone grease)
Brake Lever Pivot (Apply silicone grease)
Brake Pedal Pivot
Sidestand



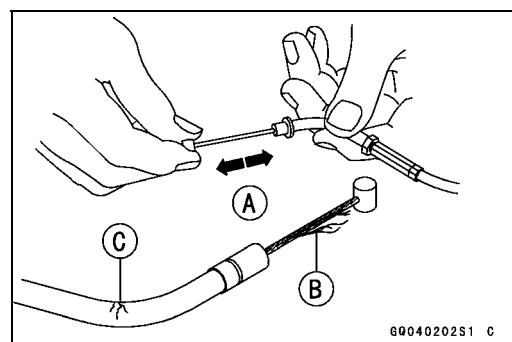
Cable: Lubricate with Cable Lubricant.

Choke Cable
Throttle Cables

- Lubricate the cables by seeping the oil between the cable and housing.
- The cable may be lubricated by using a commercially available pressure cable lubricator [A] with an aerosol cable lubricant [B].



- With the cable disconnected at both ends, the cable should move freely [A] within the cable housing.
- ★ If cable movement is not free after lubricating, if the cable is frayed [B], or if the cable housing is kinked [C], replace the cable.



Periodic Maintenance Procedures

Nut, Bolt, and Fastener Tightness

Tightness Inspection

- Check the tightness of the bolts and nuts listed here. Also, check to see that each cotter pin is in place and in good condition.

NOTE

○ *For the engine fasteners, check the tightness of them when the engine is cold (at room temperature).*

- ★ If there are loose fasteners, retighten them to the specified torque, following the specified tightening sequence. Refer to the appropriate chapter for torque specifications. If torque specifications are not in the appropriate chapter, see the Standard Torque Table in this chapter. For each fastener, first loosen it by 1/2 turn, then tighten it.
- ★ If cotter pins are damaged, replace them with new ones.

Nut, Bolt and Fastener to be checked

Wheels:

Front Axle
 Front Axle Clamp Bolts
 Rear Axle Nut
 Rear Axle Nut Cotter Pin

Final Drive:

Final Gear Case Mounting Nuts

Brakes:

Front Master Cylinder Clamp Bolts
 Caliper Mounting Bolts
 Rear Master Cylinder Mounting Bolts
 Rear Caliper Holder Bolt
 Brake Lever Pivot Bolt Locknut
 Brake Pedal Clamp Bolt
 Brake Rod Joint Cotter Pin

Suspension:

Front Fork Clamp Bolts
 Front Fender Mounting Bolts
 Rear Shock Absorber Nuts
 Swingarm Pivot Shaft

Steering:

Steering Stem Head Nut
 Handlebar Nuts

Engine:

Throttle Cable Adjuster Locknuts
 Engine Mounting Bolts and Nuts
 Shift Pedal Bolts
 Muffler Mounting Bolts and Nuts
 Exhaust Pipe Holder Nuts
 Muffler Connecting Clamp Bolt
 Clutch Master Cylinder Clamp Bolts
 Clutch Lever Pivot Bolt Locknut
 Radiator Mounting Bolt

Others:

Sidestand Bolt and Nut
 Footpeg Bracket Bolts
 Downtube Bolts (Right)

Fuel System (DFI)

Table of Contents

Exploded View.....	3-3	Crankshaft Sensor Removal/Installation.....	3-61
DFI Parts Location.....	3-8	Crankshaft Sensor Inspection.....	3-61
DFI System.....	3-12	Vehicle-down Sensor (Service Code 31).....	3-62
DFI Wiring Diagram.....	3-14	Removal.....	3-62
Specifications	3-17	Installation.....	3-62
Special Tools and Sealant.....	3-19	Inspection.....	3-62
DFI Servicing Precautions.....	3-20	Fuel Injectors (#1, #2: Service Code 41, 42).....	3-65
Troubleshooting the DFI System	3-23	Injector Removal.....	3-65
Outline	3-23	Injector Installation	3-66
Inquiries to Rider.....	3-27	Audible Inspection.....	3-69
DFI System Troubleshooting Guide ..	3-30	Power Source Voltage Inspection	3-70
Self-Diagnosis	3-39	Output Voltage Inspection.....	3-70
Self-diagnosis Conducting	3-39	Injector Signal Test.....	3-71
Service Code Reading.....	3-41	Injector Resistance Inspection	3-72
Service Code Erasing	3-41	Injector Unit Test	3-72
Throttle Sensor (Service Code 11)	3-45	Fuel Pump (Service Code 45)	3-74
Throttle Sensor Removal/Adjust- ment	3-45	Fuel Pump Removal	3-74
Input Voltage Inspection.....	3-45	Pump Screen, Fuel Filter Cleaning.....	3-74
Output Voltage Inspection.....	3-45	Fuel Pump Installation	3-75
Resistance Inspection.....	3-46	Operation Inspection.....	3-76
Inlet Air Pressure Sensor (Service Code 12).....	3-48	Power Source Voltage Inspection	3-76
Removal.....	3-48	Operating Voltage Inspection.....	3-77
Installation.....	3-48	Ignition Coils (#1, #2: Service Code 51, 52).....	3-79
Input Voltage Inspection.....	3-48	Removal/Installation.....	3-79
Output Voltage Inspection.....	3-49	Input Voltage Inspection.....	3-79
Inlet Air Temperature Sensor (Service Code 13).....	3-53	FI Indicator LED Light.....	3-80
Removal/Installation.....	3-53	LED Light Inspection.....	3-81
Output Voltage Inspection.....	3-53	ECU.....	3-82
Sensor Resistance Inspection	3-54	ECU Identification	3-82
Water Temperature Sensor (Service Code 14).....	3-55	ECU Removal	3-82
Removal/Installation.....	3-55	ECU Installation	3-82
Output Voltage Inspection.....	3-55	ECU Power Supply Inspection.....	3-83
Sensor Resistance Inspection	3-56	DFI Power Source	3-85
Atmospheric Pressure Sensor (Service Code 15).....	3-57	DFI Fuse Removal.....	3-85
Removal.....	3-57	DFI Fuse Inspection.....	3-85
Installation.....	3-57	DFI Main Relay Removal.....	3-85
Input Voltage Inspection.....	3-57	DFI Main Relay Inspection.....	3-85
Output Voltage Inspection.....	3-58	ISC Valves	3-87
Crankshaft Sensors (#1, #2: Service Code 21, 22).....	3-61	Removal/Installation.....	3-87
		Power Source Voltage Inspection	3-87
		Output Voltage Inspection.....	3-88

3-2 FUEL SYSTEM (DFI)

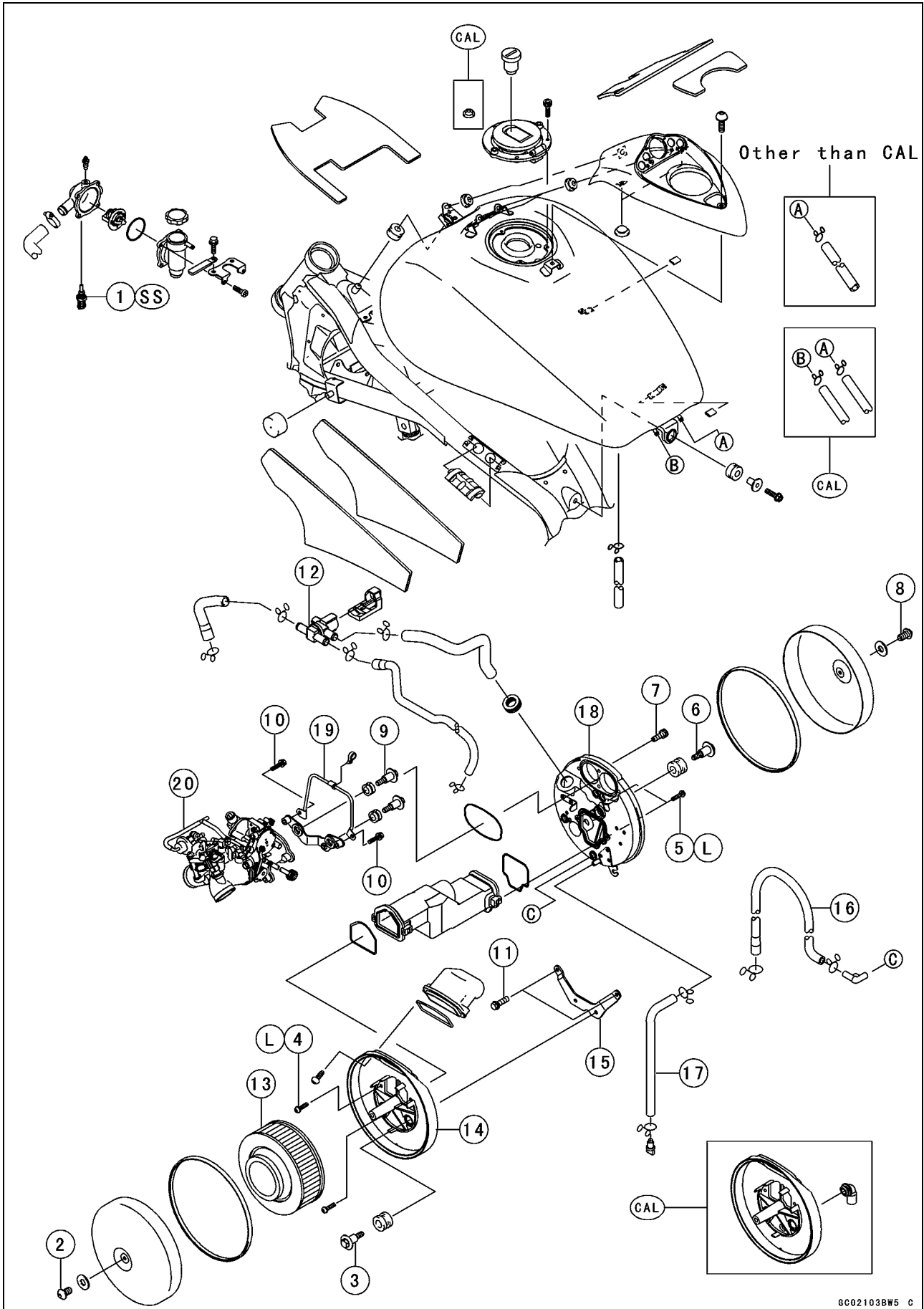
Resistance Inspection.....	3-88	Left Air Cleaner Housing	
Fuel Line.....	3-90	Removal/Installation.....	3-102
Fuel Pressure Inspection.....	3-90	Right Air Cleaner Housing	
Pressure Regulator Removal.....	3-92	Removal.....	3-103
Fuel Flow Rate Inspection.....	3-92	Right Air Cleaner Housing	
Throttle Grip and Cables.....	3-94	Installation.....	3-103
Throttle Grip Free Play Inspection	3-94	Lower Air Cleaner Duct	
Throttle Grip Free Play		Removal/Installation.....	3-104
Adjustment.....	3-94	Fuel Tank.....	3-105
Choke Knob Operation.....	3-94	Fuel Tank Removal.....	3-105
Choke Cable Free Play		Fuel Tank Installation.....	3-108
Inspection.....	3-94	Fuel Tank and Cap Inspection.....	3-109
Cable Removal/Installation.....	3-94	Fuel Tank Cleaning.....	3-110
Cable Lubrication and Inspection.	3-94	Return Fuel Check Valve	
Throttle Body Assy.....	3-95	Inspection.....	3-110
Idle Speed Check.....	3-95	Evaporative Emission Control	
Idle Speed Adjustment.....	3-95	System.....	3-111
High Altitude Performance		Parts Removal/Installation.....	3-111
Adjustment.....	3-95	Canister Installation.....	3-111
Throttle Body Assy Removal.....	3-95	Canister Inspection (Periodic	
Throttle Body Assy Installation.....	3-98	Inspection).....	3-111
Throttle Body Assy		Separator Inspection (Periodic	
Disassembly/Assembly.....	3-99	Inspection).....	3-111
Air Cleaner.....	3-102	Hose Inspection (Periodic	
Air Cleaner Element Removal.....	3-102	Inspection).....	3-112
Air Cleaner Element Cleaning.....	3-102	Separator Operation Test.....	3-112

Exploded View

Dummy Page

3-4 FUEL SYSTEM (DFI)

Exploded View



Exploded View

No.	Fastener	Torque			Remarks
		N·m	kgf·m	ft·lb	
1	Water Temperature Sensor	18	1.8	13	SS
2	Left Air Cleaner Cover Allen Bolt	16	1.6	12	
3	Left Air Cleaner Base Bolts	11	1.1	97 in·lb	
4	Left Air Cleaner Base Screws	2.2	0.22	19 in·lb	L
5	Right Air Cleaner Base Screws	2.2	0.22	19 in·lb	L
6	Right Air Cleaner Base Bolt	11	1.1	97 in·lb	
7	Right Air Cleaner Allen Bolts	11	1.1	97 in·lb	
8	Right Air Cleaner Cover Allen Bolt	16	1.6	12	
9	Throttle Body Assy Holder Bolts	11	1.1	97 in·lb	
10	Right Spark Plug Lead Holder Bolts	11	1.1	97 in·lb	
11	Air Cleaner Duct Holder Bolts	9.8	1.0	69 in·lb	

- 12. Air Switching Valve
- 13. Air Cleaner Element
- 14. Left Air Cleaner Base
- 15. Air Cleaner Duct Holder
- 16. Crankcase Breather Hose
- 17. Air Cleaner Drain Hose
- 18. Right Air Cleaner Base
- 19. Right Spark Plug Lead Holder
- 20. Throttle Body Assy

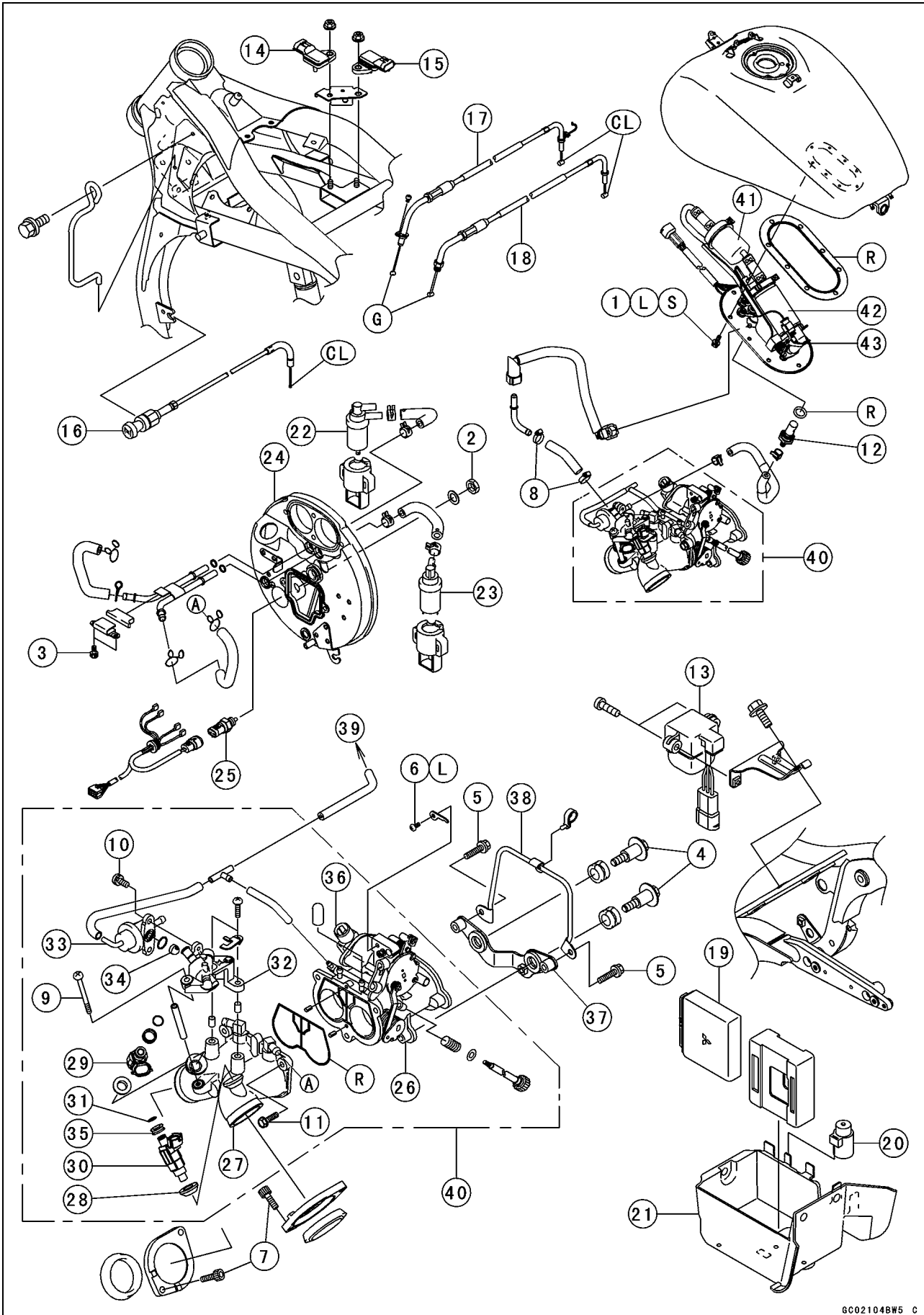
L: Apply a non-permanent locking agent.

SS: Apply silicone sealant (Kawasaki Bond: 56019-120).

CAL: California Model

3-6 FUEL SYSTEM (DFI)

Exploded View



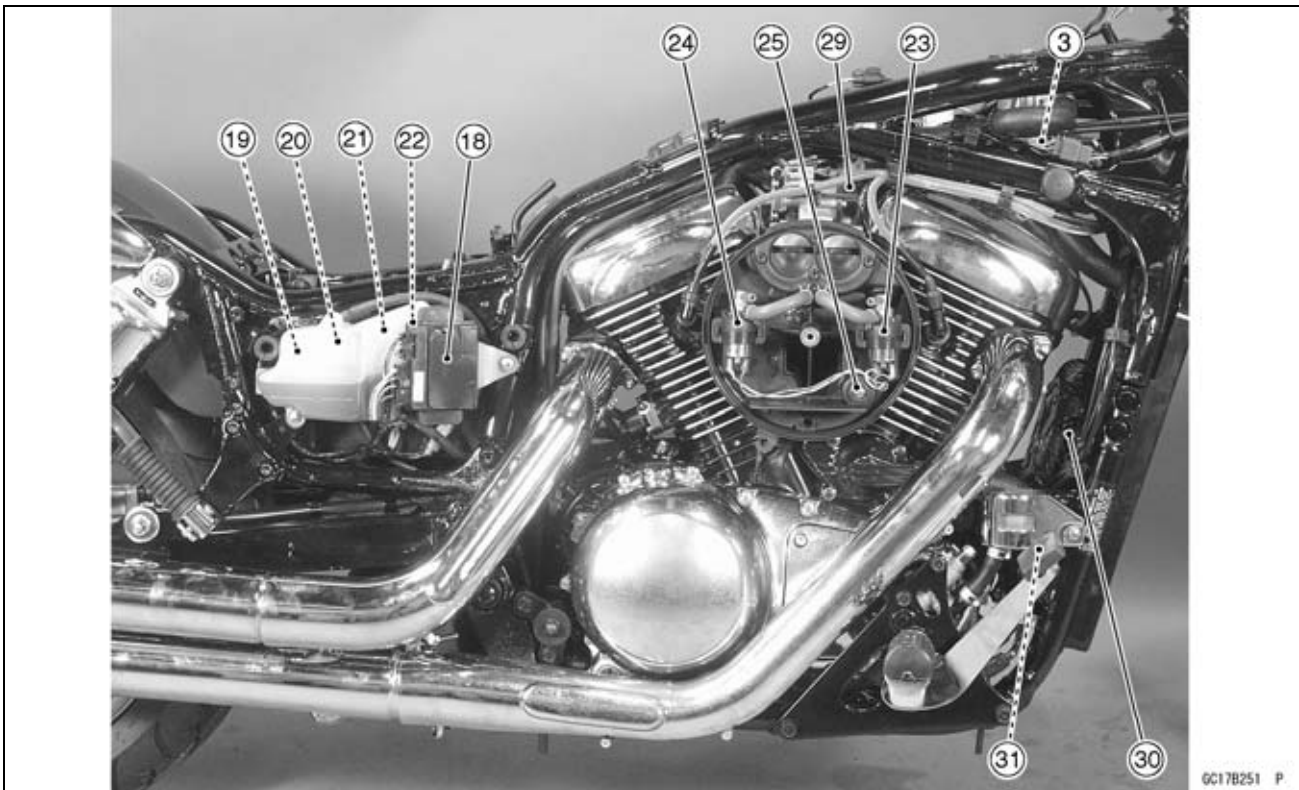
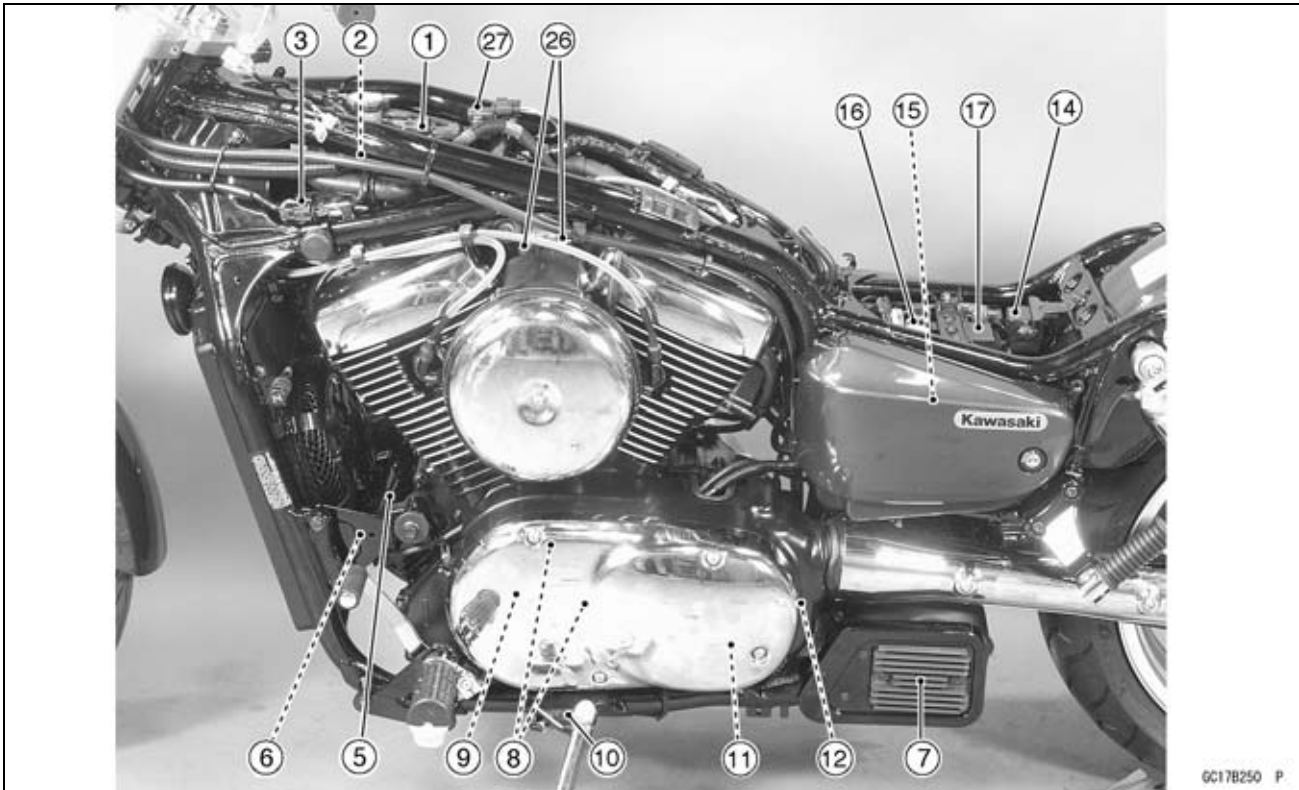
Exploded View

No.	Fastener	Torque			Remarks
		N·m	kgf·m	ft·lb	
1	Fuel Pump Bolts	6.9	0.70	61 in·lb	S, L
2	Inlet Air Temperature Sensor Nut	7.8	0.80	69 in·lb	
3	ISC Pipe Bolts	11	1.1	97 in·lb	
4	Throttle Body Assy Holder Bolts	11	1.1	97 in·lb	
5	Spark Plug Lead Holder Bolts	11	1.1	97 in·lb	
6	Choke Cable Plate Screw	2.9	0.30	26 in·lb	L
7	Inlet Manifold Bolt	12	1.2	106 in·lb	
8	High Pressure Fuel Hose Clamp Screws	1.5	0.15	13 in·lb	
9	Delivery Joint Screws	3.4	0.35	30 in·lb	
10	Pressure Regulator Screws	4.9	0.50	43 in·lb	
11	Throttle Body Flange Bolts	4.9	0.50	43 in·lb	
12	Return Fuel Check Valve	20	2.0	15	

- 13. Vehicle-Down Sensor
- 14. Atmospheric Pressure Sensor
- 15. Inlet Air Pressure Sensor
- 16. Choke Cable
- 17. Throttle Cable (Accelerator)
- 18. Throttle Cable (Decelerator)
- 19. ECU (Electronic Control Unit)
- 20. DFI Main Relay
- 21. Battery Case
- 22. ISC Valve #1 (For Front Cylinder)
- 23. ISC Valve #2 (For Rear Cylinder)
- 24. Right Air Cleaner Base
- 25. Inlet Air Temperature Sensor
- 26. Throttle Body
- 27. Inlet Manifold
- 28. Seal
- 29. Injector #1 For Front Cylinder
- 30. Injector #2 For Rear Cylinder
- 31. O-Ring
- 32. Delivery Joint
- 33. Pressure Regulator
- 34. Pressure Regulator Screen
- 35. Seal Ring
- 36. Throttle Sensor
- 37. Throttle Body Assy Holder
- 38. Right Spark Plug Lead Holder
- 39. To Inlet Air Pressure Sensor
- 40. Throttle Body Assy
- 41. Fuel Filter
- 42. Fuel Pump
- 43. Fuel Pump Screen
- CL: Apply cable lubricant.
- G: Apply grease.
- L: Apply a non-permanent locking agent.
- R: Replacement Parts
- S: Follow the specified tightening sequence.

3-8 FUEL SYSTEM (DFI)

DFI Parts Location



DFI Parts Location

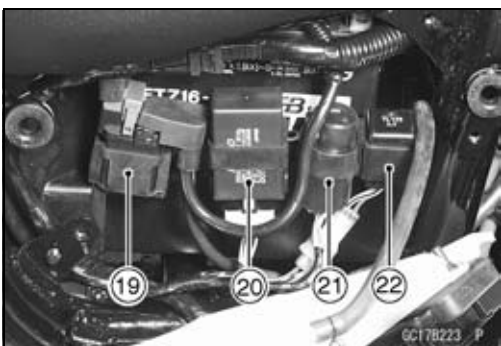
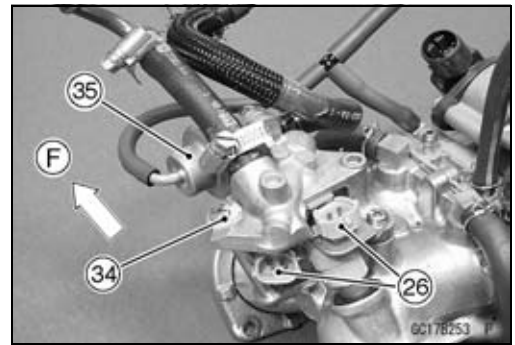
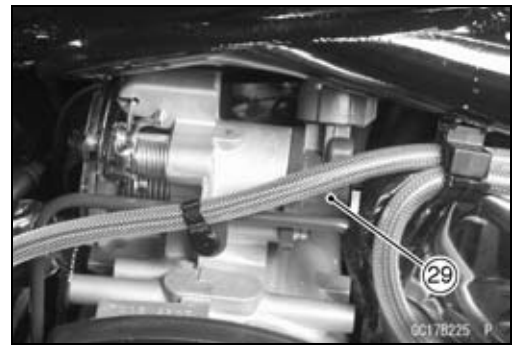
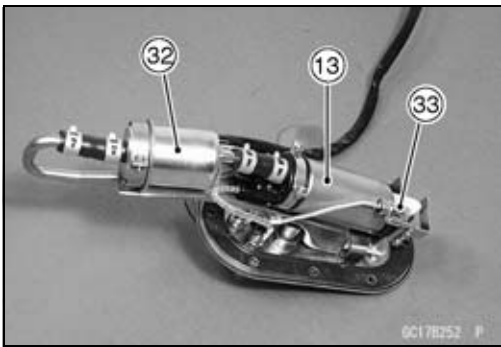
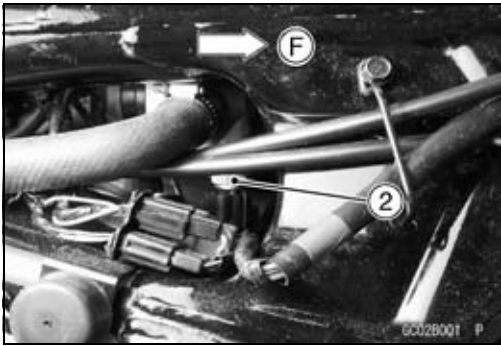
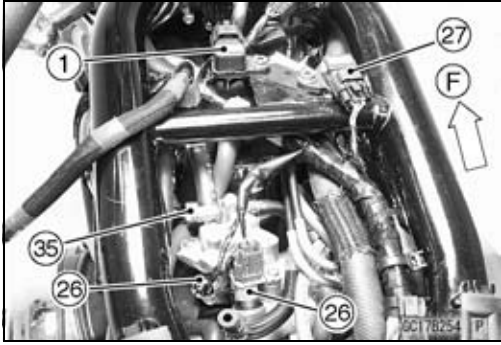
DFI: DFI Parts (This Chapter)

F: Front

1. Atmospheric Pressure Sensor (DFI)
2. Water Temperature Sensor (DFI)
3. Ignition Coils
4. Ignition Switch (see next page)
5. Starter Motor
6. Water Temperature Switch
7. Regulator/Rectifier
8. Crankshaft Sensors
9. Alternator
10. Sidestand Switch
11. Neutral Switch
12. Oil Pressure Switch
13. Fuel Pump (DFI) (see next page)
14. Vehicle-Down Sensor (DFI)
15. ECU (DFI)
16. DFI Fuse 15 A
17. Sealed Battery
18. Junction Box
19. Starter Relay
20. Turn Signal Control Unit
21. DFI Main Relay
22. Oil Pressure Light Delay Unit
23. ISC Valve #1 (DFI, For Front Cylinder)
24. ISC Valve #2 (DFI, For Rear Cylinder)
25. Inlet Air Temperature Sensor (DFI)
26. Injectors (DFI)
27. Inlet Air Pressure Sensor (DFI)
28. FI Indicator Led Light (DFI) Of Tachometer Unit (see next page)
29. Throttle Sensor (DFI)
30. Radiator Fan
31. Radiator Fan Switch
32. Fuel Filter (DFI) (see next page)
33. Fuel Reserve Switch (see next page)
34. Delivery Joint (DFI) (see next page)
35. Pressure Regulator (DFI) (see next page)

3-10 FUEL SYSTEM (DFI)

DFI Parts Location



DFI Parts Location

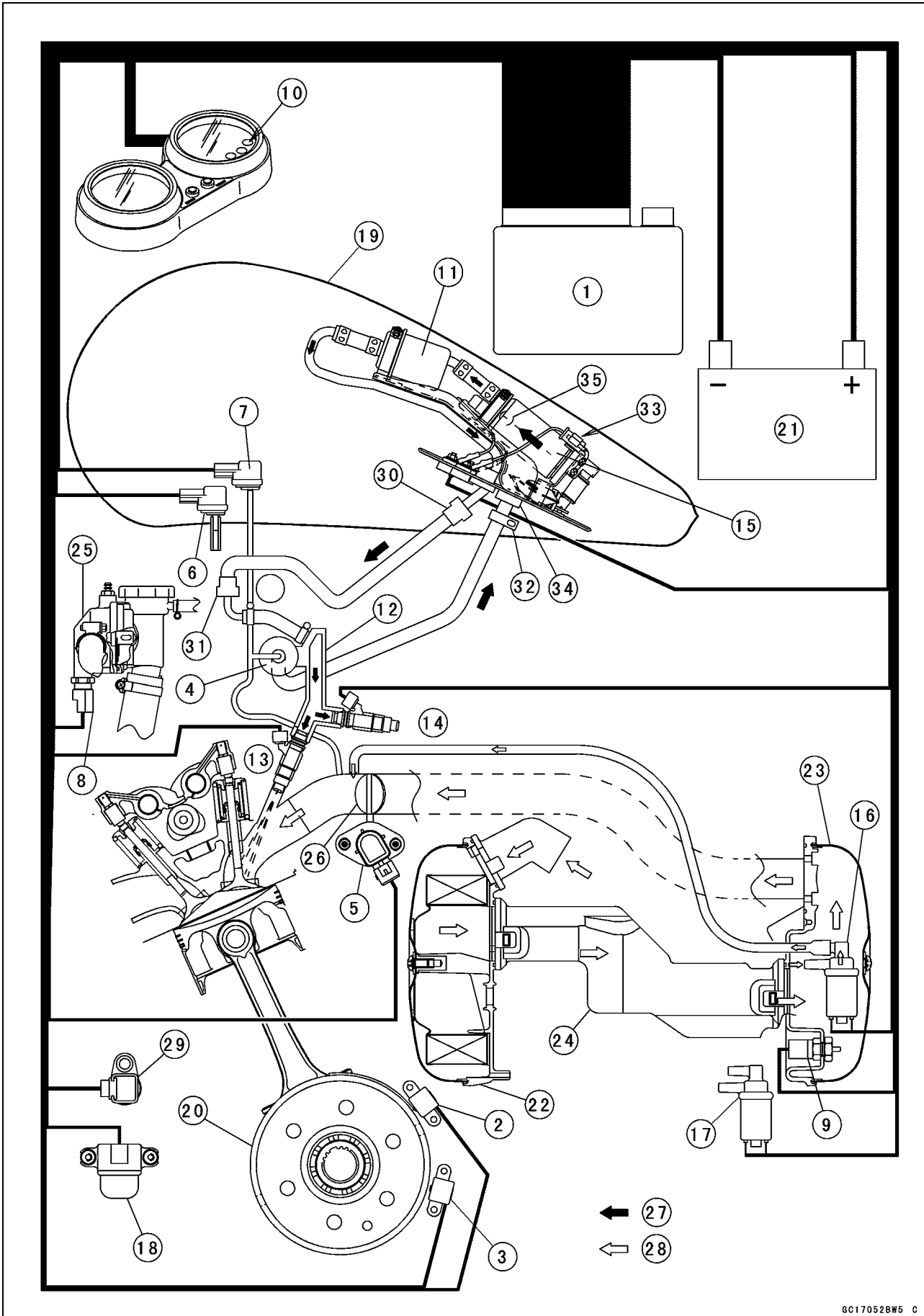
DFI: DFI Parts (This Chapter)

F: Front

1. Atmospheric Pressure Sensor (DFI)
2. Water Temperature Sensor (DFI)
3. Ignition Coils (see preceding page)
4. Ignition Switch (see preceding page)
5. Starter Motor (see preceding page)
6. Water Temperature Switch (see preceding page)
7. Regulator/Rectifier (see preceding page)
8. Crankshaft Sensors (see preceding page)
9. Alternator (see preceding page)
10. Sidestand Switch (see preceding page)
11. Neutral Switch (see preceding page)
12. Oil Pressure Switch (see preceding page)
13. Fuel Pump (DFI)
14. Vehicle-Down Sensor (DFI)
15. ECU (DFI)
16. DFI Fuse 15 A
17. Sealed Battery
18. Junction Box (see preceding page)
19. Starter Relay
20. Turn Signal Control Unit
21. DFI Main Relay
22. Oil Pressure Light Delay Unit
23. ISC Valve #1 (DFI, For Front Cylinder) (see preceding page)
24. ISC Valve #2 (DFI, For Rear Cylinder) (see preceding page)
25. Inlet Air Temperature Sensor (DFI) (see preceding page)
26. Injectors (DFI)
27. Inlet Air Pressure Sensor (DFI)
28. Fi Indicator Led Light (DFI) Of Tachometer Unit
29. Throttle Sensor (DFI)
30. Radiator Fan (see preceding page)
31. Radiator Fan Switch (see preceding page)
32. Fuel Filter (DFI)
33. Fuel Reserve Switch
34. Delivery Joint (DFI)
35. Pressure Regulator (DFI)

3-12 FUEL SYSTEM (DFI)

DFI System

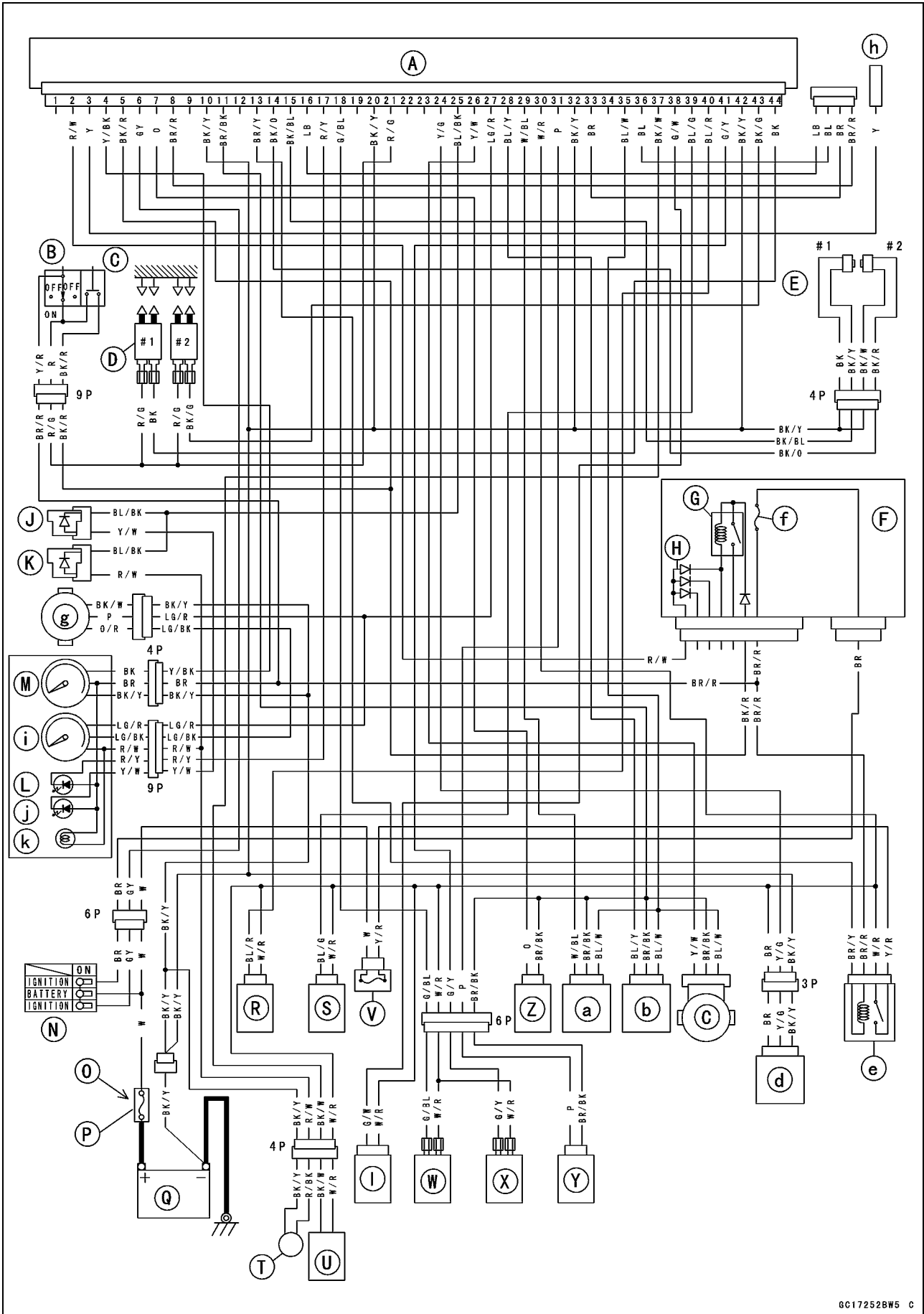


DFI System

- #1: For Front Cylinder
- #2: For Rear Cylinder
 - 1. ECU (Electronic Control Unit)
 - 2. Crankshaft Sensor #1
 - 3. Crankshaft Sensor #2
 - 4. Pressure Regulator
 - 5. Throttle Sensor (Front View)
 - 6. Atmospheric Pressure Sensor
 - 7. Inlet Air Pressure Sensor
 - 8. Water Temperature Sensor
 - 9. Inlet Air Temperature Sensor
- 10. Fi Indicator Led Light
- 11. Fuel Filter
- 12. Delivery Joint
- 13. Injector #1
- 14. Injector #2
- 15. Fuel Pump
- 16. ISC Valve #1 (Idle Speed Control Valve #1, Front Side)
- 17. ISC Valve #2 (Idle Speed Control Valve #2, Rear Side)
- 18. Vehicle-Down Sensor (Rear View)
- 19. Fuel Tank (Left View)
- 20. Alternator Rotor (Left View)
- 21. Sealed Battery (Left View)
- 22. Left Air Cleaner Housing (Rear View)
- 23. Right Air Cleaner Housing (Rear View)
- 24. Lower Air Cleaner Duct (Rear View)
- 25. Thermostat Housing (Left View)
- 26. Throttle Valves
- 27. Fuel Flow
- 28. Air Flow
- 29. Speed Sensor
- 30. Fuel Hose Joint #1
- 31. Fuel Hose Joint #2
- 32. Fuel Hose Plate Clamp
- 33. Fuel Reserve Switch
- 34. Return Fuel Check Valve
- 35. Residual Pressure Check Valve
- 36. Air Switching Valve

3-14 FUEL SYSTEM (DFI)

DFI Wiring Diagram



DFI Wiring Diagram

DFI and Electrical Parts

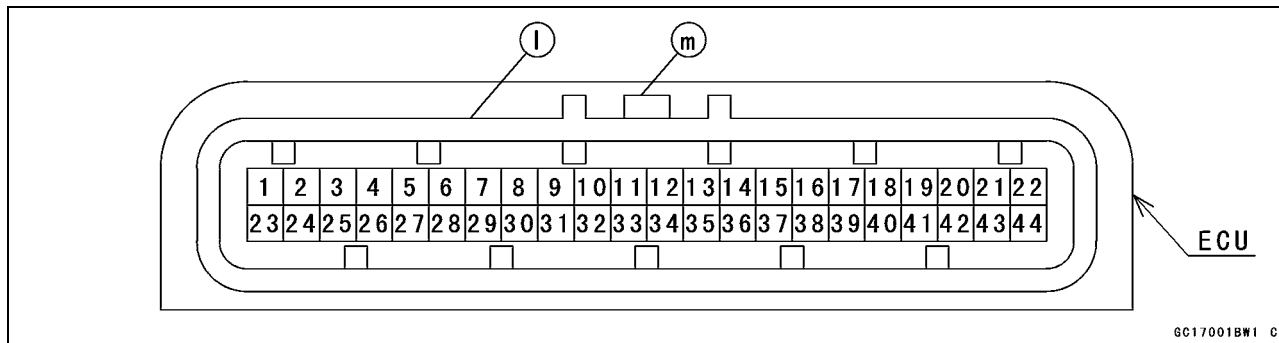
DFI: DFI Parts

- A. ECU: Electronic Control Unit (DFI)
- B. Engine Stop Switch
- C. Starter Button
- D. Ignition Coils
- E. Crankshaft Sensors
- F. Junction Box
- G. Starter Circuit Relay
- H. Interlock Diodes
- J. Diode: (For Water Temperature Warning LED Light)
- K. Diode: (For Fuel Reserve Warning Light)
- L. Fi Indicator LED Light: (DFI)
- M. Speedometer
- N. Ignition Switch
- O. Starter Relay
- P. Main Fuse 30 A
- Q. Sealed Battery
- R. Fuel Injector #1: (DFI)
- S. Fuel Injector #2: (DFI)
- T. Fuel Reserve Switch
- U. Fuel Pump: (DFI)
- V. DFI Fuse 15 A: (For ECU, Injectors, Fuel Pump, DFI Main Relay, and ISC Valves)
- W. ISC Valve #1: (DFI)
- X. ISC Valve #2: (DFI)
- Y. Inlet Air Temperature Sensor: (DFI)
- Z. Water Temperature Sensor: (DFI)
- a. Inlet Air Pressure Sensor: (DFI)
- b. Atmospheric Pressure Sensor: (DFI)
- c. Throttle Sensor: (DFI)
- d. Vehicle-Down Sensor: (DFI)
- e. DFI Main Relay: (For ECU, Injectors, Fuel Pump, and ISC Valves)
- f. Ignition Fuse 10 A
- g. Speed Sensor
- h. Self-Diagnosis Check Female Connector
- i. Tachometer
- j. Water Temperature Warning LED Light
- k. Fuel Reserve Warning Light
- l. Air Switching Valve

3-16 FUEL SYSTEM (DFI)

DFI Wiring Diagram

Terminal Numbers of ECU Connectors



Terminal Names

- I. ECU Connector
- m. Connector Lock
- #1: Front cylinder, #2: Rear Cylinder
- 1. Starter lockout switch signal
- 2. Interlock circuit signal
- 3. Self-diagnosis signal (generated by grounding this terminal and shown by FI indicator LED light)
- 4. Tachometer signal
- 5. Electric starter button signal
- 6. Anti theft signal
- 7. Water temperature sensor (+)
- 8. Power source for diagnosis tool
- 9. –
- 10. ECU power source circuit ground to battery (–) terminal
- 11. Ground of inlet air temperature, water temperature, inlet air pressure, atmospheric pressure, and throttle sensors
- 12. Neutral switch
- 13. DFI main relay solenoid ground in ECU
- 14. Crankshaft sensor #2 signal
- 15. Crankshaft sensor #1 signal
- 16. Com. line A
- 17. FI indicator LED light signal
- 18. ISC valve #1 signal
- 19. –
- 20. Ignition control circuit ground to battery (–) terminal
- 21. Engine stop signal
- 22. 23. –
- 24. Vehicle-down sensor signal
- 25. Meter bulb burned-out check signal
- 26. Throttle sensor signal
- 27. Speed sensor signal
- 28. Atmospheric pressure sensor signal
- 29. Inlet air pressure sensor signal
- 30. Power supply to ECU, ISC valves, injectors, and fuel pump, vehicle-down sensor
- 31. Inlet air temperature sensor (+)
- 32. ECU power source circuit ground to battery (–) terminal (the same as #10)
- 33. Power source ground for diagnosis tool
- 34. –
- 35. Power supply to sensors (inlet air pressure, atmospheric pressure, and throttle sensors) from ECU
- 36. Com. line B
- 37. Fuel pump signal
- 38. Air switching valve signal
- 39. Injector #2 signal
- 40. Injector #1 signal
- 41. ISC valve #2 signal
- 42. Ignition control circuit ground to battery (–) terminal
- 43. Ignition coil #2 signal
- 44. Ignition coil #1 signal

Specifications

Item	Standard
Throttle Grip Free Play	2 ~ 3 mm (0.079 ~ 0.118 in.)
Air Cleaner Element	Paper filter
Dfi (Digital Fuel Injection) System	
Make:	Mitsubishi Electric
Idle Speed:	950 ±50 r/min (rpm)
Throttle Assy:	
Type × Bore	Two barrel type × ϕ 40 mm (1.57 in.)
Ecu (Electronic Control Unit):	
Type	Digital memory type, with built in IC igniter, sealed with resin
Usable Engine Speed	100 ~ 6 500 r/min (rpm)
ISC Valves:	(Idle speed control valve, or fast Idle solenoid valve)
Maximum Air Flow Rate	75 ±7 L/min
Solenoid Resistance	13.6 ~ 20.4 Ω
Fuel Filter:	
Filtration Area	More than 200 cm ²
Rated Flow	1.0 L/min
Fuel Pressure (High Pressure Line):	
Right After Ignition Sw On	310 kPa (3.2 kgf/cm ² , 46 psi) with fuel pump running
After Pump Runs 3 Sec. And Stops.	280 kPa (2.9 kgf/cm ² , 41 psi) with fuel pump stopped
With Engine Idling	260 kPa (2.7 kgf/cm ² , 38 psi) with fuel pump running
With Engine Running At Full Throttle	260 ~ 280 kPa (2.7 ~ 2.9 kgf/cm ² , 38 ~ 41 psi) with fuel pump running
Pressure Regulator:	
Regulated Fuel Pressure	294 ±4.9 kPa (3.00 ±0.05 kgf/cm ² , 43 ±0.73 psi)
Throttle Sensor:	Non-adjustable, and non-removable
Input Voltage	4.75 ~ 5.25 V DC between BL/W and BR/BK leads
Output Voltage At Idle Throttle Opening	0.584 ~ 0.604 V DC between Y/W and BR/BK leads
Output Voltage At Full Throttle Opening	4.29 ~ 4.59 V DC between Y/W and BR/BK leads
Resistance	4 ~ 6 k Ω between BL/W and BR/BK leads
Atmospheric Pressure Sensor/Inlet Air Pressure Sensor:	
Input Voltage	4.75 ~ 5.25 V DC
Output Voltage	3.74 ~ 4.26 V DC at standard atmospheric pressure
Inlet Air Temperature Sensor:	
Resistance	5.4 ~ 6.6 k Ω at 0° C (32° F)
	2.26 ~ 2.86 k Ω at 20° C (68° F)
	0.29 ~ 0.39 k Ω at 80° C (176° F)
Water Temperature Sensor:	
Resistance	2.162 ~ 3.112 k Ω at 20° C (68° F)
	0.785 ~ 1.049 k Ω at 50° C (122° F)
	0.207 ~ 0.253 k Ω at 100° C (212° F)

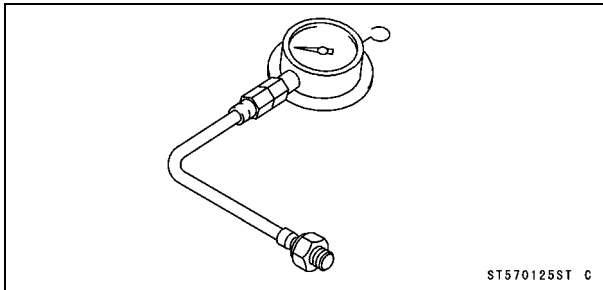
3-18 FUEL SYSTEM (DFI)

Specifications

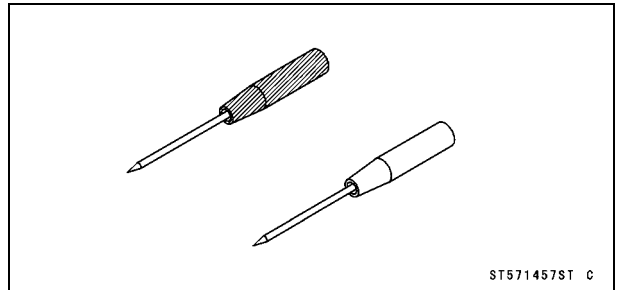
Item	Standard
Vehicle-Down Sensor:	
Detection Method	Magnetic flux detection method
Detection Angle	More than 45° ±5° for each bank
Detection Time	Within 0.5 ~ 1.0 seconds
Fuel Injectors:	
Type	INP- 786
Injection Timing	60° BTDC at each cylinder
Static Injection Quantity	273.1 ~ 289.4 mL/min
Nozzle Type × Diameter	Two spray type with 4 holes × 0.3 mm (0.012 in.)
Resistance	14.2 ~ 14.8 Ω
Fuel Pump:	
Type	In-tank pump (friction pump) 75 mL or more for 3 seconds
Discharge	(90 L or more/h) with the filter installed at 12 V atmospheric pressure

Special Tools and Sealant

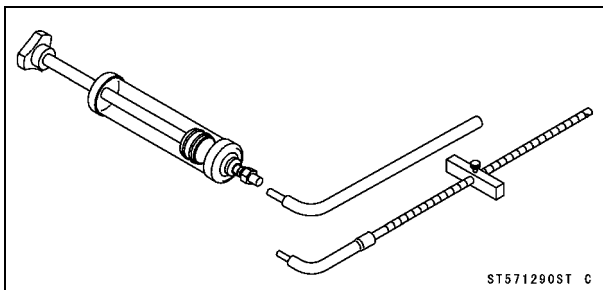
Oil Pressure Gauge, 5 kgf/cm²:
57001-125



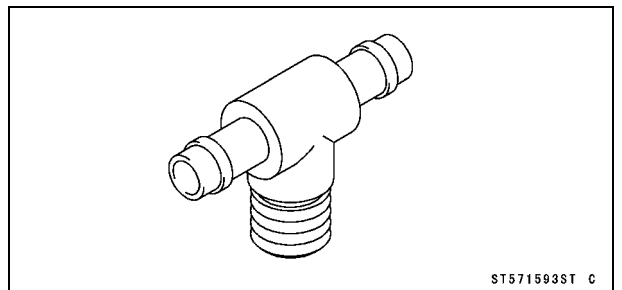
Needle Adapter Set:
57001-1457



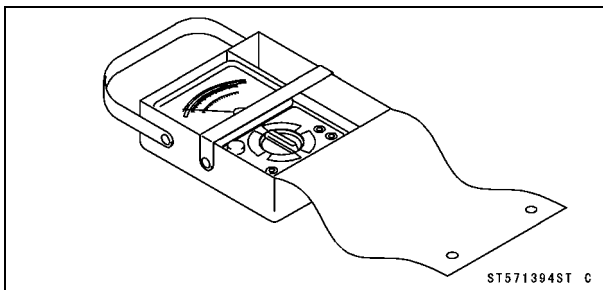
Fork Oil Level Gauge:
57001-1290



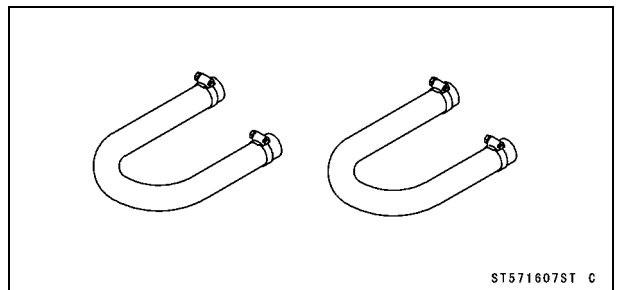
Fuel Pressure Gauge Adapter:
57001-1593



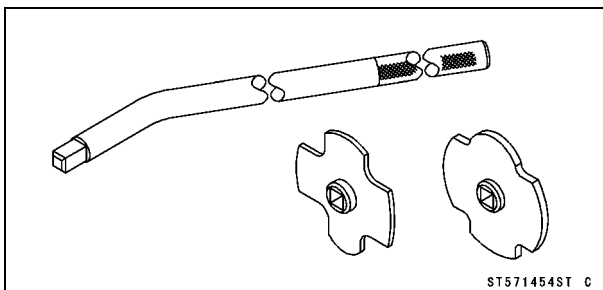
Hand Tester:
57001-1394



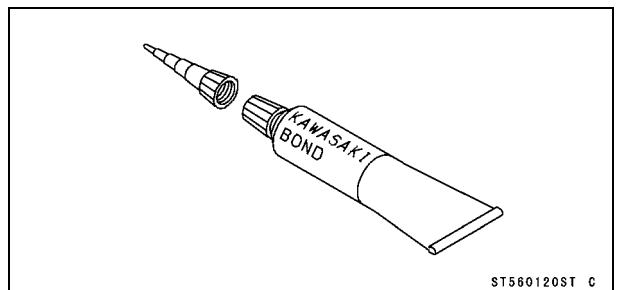
Fuel Hose:
57001-1607



Filler Cap Driver:
57001-1454



Kawasaki Bond (Silicone Sealant):
56019-120



3-20 FUEL SYSTEM (DFI)

DFI Servicing Precautions

There are a number of important precautions that should be followed servicing the DFI system.

- To maintain the correct fuel-air mixture (F/A), there must be no inlet air leaks in the DFI system. Be sure to install the oil filler cap [A] after filling the engine oil, using the filler cap driver [B] and tighten the oil filler cap.

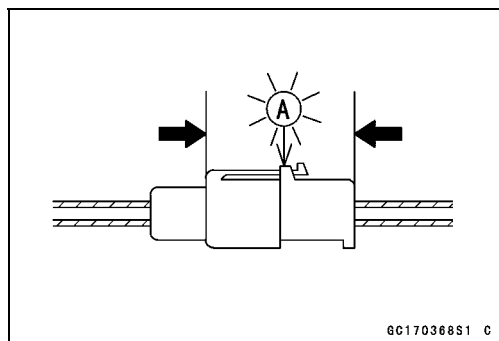
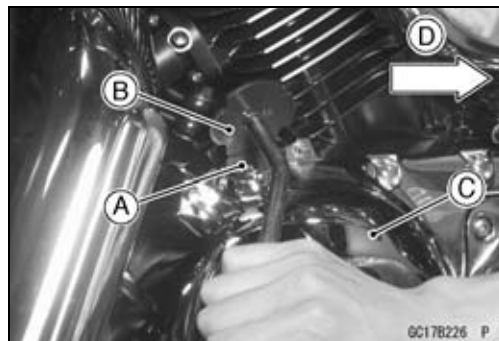
Clutch Cover [C]

Front [D]

Special Tool - Filler Cap Driver: 57001-1454

Torque - Oil Filler Cap: 1.5 N·m (0.15 kgf·m, 13 in·lb)

- This DFI system is designed to be used with a 12 V sealed battery as its power source. Do not use any other battery except for a 12 V sealed battery as a power source.
- Do not reverse the battery lead connections. This will damage the ECU.
- Do not disconnect the battery leads or any other electrical connections when the ignition SW (switch) is on, or while the engine is running. Otherwise, surge damages the connector terminals or the DFI parts.
- Take care not to short the leads that are directly connected to the battery positive (+) terminal to the chassis ground.
- When charging, remove the battery from the motorcycle. This is to prevent ECU damage by excessive voltage.
- Whenever the DFI electrical connections are to be disconnected, first turn off the ignition SW (switch), and disconnect the battery (-) terminal. Do not pull the lead, only the connector. Conversely, make sure that all the DFI electrical connections are firmly reconnected before starting the engine.
- Connect these connectors until they click [A].
- Do not turn the ignition SW ON while any of the DFI electrical connectors are disconnected. The ECU memorizes service codes.
- Do not spray water on the electrical parts, DFI parts, connectors, leads, and wiring. Never water a vehicle with connectors unplugged because seals don't work and terminals could corrode.
- If a transceiver is installed on the motorcycle, make sure that the operation of the DFI system is not influenced by electric wave radiated from the antenna. Check operation of the system with the engine at idle. Locate the antenna as far as possible away from the ECU.



DFI Servicing Precautions

- To prevent corrosion and deposits in the fuel system, do not add any fuel antifreeze chemicals to fuel.
- When any fuel hose is disconnected, do not turn on the ignition SW. Otherwise, the fuel pump will operate and fuel will spout from the fuel hose.
- Do not operate the fuel pump if the pump is completely dry. This is to prevent pump seizure.
- Before removing the fuel system parts, blow the outer surfaces of these parts clean with compressed air.
- When any fuel hose is disconnected, fuel may spout out by residual pressure in the fuel line. Cover the hose joint with a piece of clean cloth to prevent fuel spillage.

○The fuel hoses are designed to be used throughout the motorcycle's life without any maintenance, however, if the motorcycle is not properly handled, the high pressure inside the fuel line can cause fuel to leak [A] or the hose to burst.

★Replace the fuel hose if any cracks [B] or bulges [C] are noticed.

○Route the hoses according to Cable, Wire, and Hose Routing section in the Appendix chapter.

○When installing the fuel hoses, avoid sharp bending, kinking, flattening or twisting, and route the fuel hoses with a minimum of bending so that the fuel flow will not be obstructed.

★Replace the hose if it has been sharply bent or kinked.

○Install the high pressure fuel hose clamps in the position shown, and securely tighten the clamp screws to the specified torque.

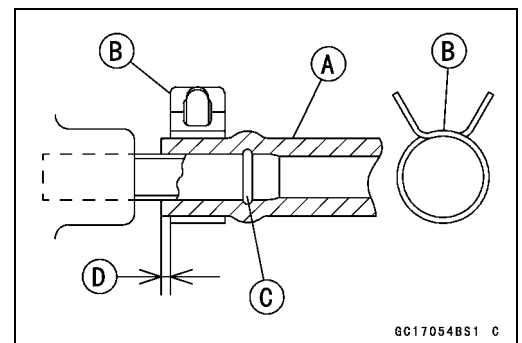
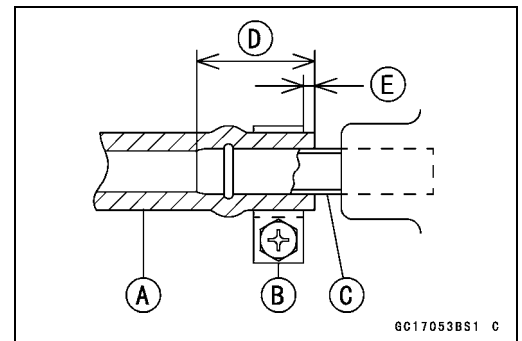
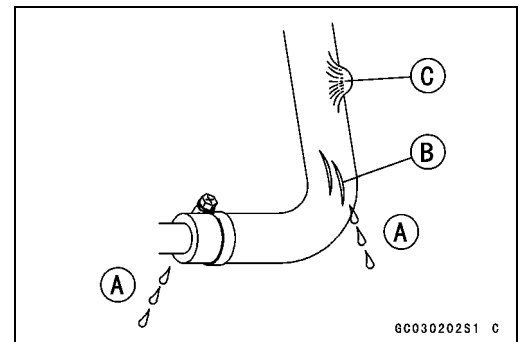
Torque - High Pressure Fuel Hose Clamp Screws: 1.5 N·m (0.15 kgf·m, 13 in·lb)

○Check the fuel system for leaks and clamp loosening after hose installation.

- Fuel Hose [A]
- Clamp [B]
- Fuel Pipe [C]
- 18 ~ 22 mm (0.71 ~ 0.87 in.) [D]
- 2 ~ 3 mm (0.08 ~ 0.12 in.) [E]

○Fit the low pressure fuel hose [A] onto the pipe fully and install the plate clamp [B] beyond the raised rib [C].

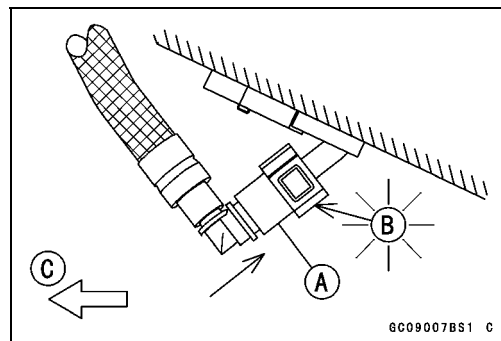
- 1 ~ 2 mm (0.04 ~ 0.08 in.) [D]



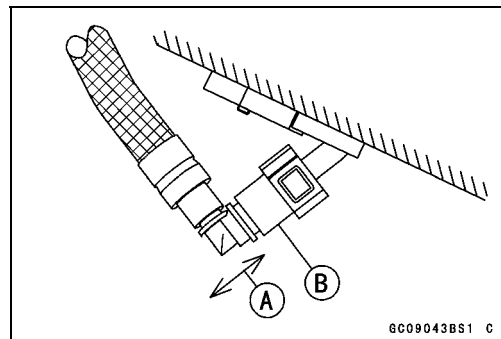
3-22 FUEL SYSTEM (DFI)

DFI Servicing Precautions

- Fit the outlet hose joint #1 or #2 [A] onto the pipe until the joint clicks [B].
Front [C]



- Push and pull [A] the hose joint #1 or #2 [B] back and forth more than two times and make sure it is locked and doesn't come off. When the hose joint is correctly installed, it should slide on the delivery pipe about 5 mm (0.2 in.).

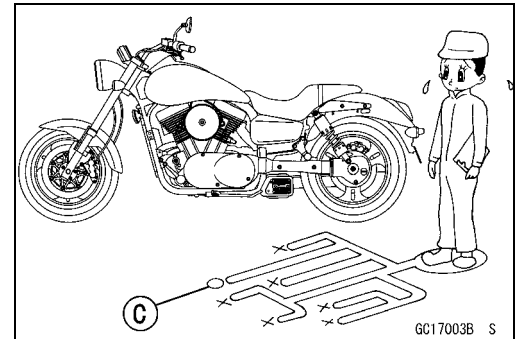
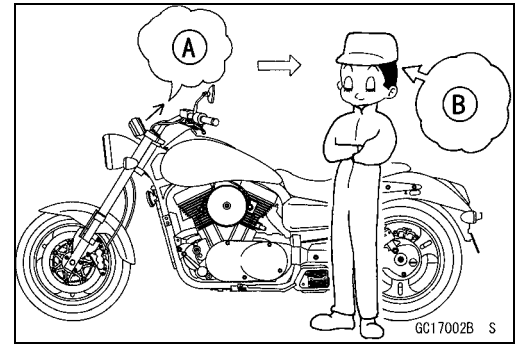


Troubleshooting the DFI System

Outline

When an abnormality in the system occurs, the FI indicator LED light goes on to alert the rider on the meter panel. In addition, the condition of the problem is stored in the memory of the ECU (electronic control unit). With the engine stopped and turned in the self-diagnosis mode, the service code [A] is indicated by the number of times the FI indicator LED light blinks.

When due to a malfunction, the FI indicator LED light remains lit, ask the rider about the conditions [B] under which the problem occurred and try to determine the cause [C]. Don't rely solely on the DFI self-diagnosis function, use common sense; first conduct a pre-diagnosis inspection, check the ECU for ground and power supply, the fuel line for no fuel leaks, and for correct pressure. The pre-diagnosis items are not indicated by the FI indicator LED light.



Even when the DFI system is operating normally, the FI indicator LED light [A] may light up under strong electrical interference. No remedy needed. Turn the ignition SW (switch) OFF to stop the indicator light.

When the FI indicator LED light goes on and the motorcycle is brought in for repair, check the service codes.

When the repair has been done, the LED light goes OFF in 4 seconds and will not show the service code any more.

When the motorcycle is down, the vehicle-down sensor is turned OFF and the ECU shuts off the fuel injectors and ignition system. The FI indicator LED light goes ON but the service code cannot be displayed. The ignition SW is left ON. If the starter button is pushed, the electric starter turns but the engine doesn't start. To start the engine again, raise the motorcycle, turn the ignition SW OFF, and then ON. The vehicle-down sensor is turned ON and the LED light goes OFF.



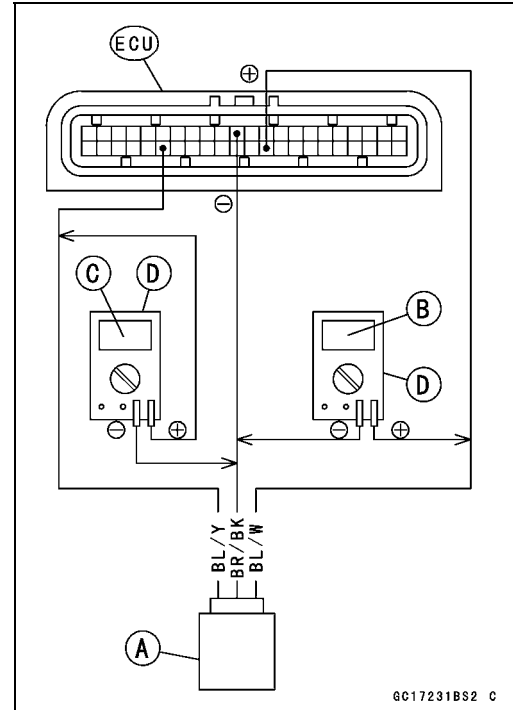
3-24 FUEL SYSTEM (DFI)

Troubleshooting the DFI System

○ There are two ways to inspect the DFI system. One is Voltage Check Method and the other is Resistance Check Method.

Voltage Check Method

- This method is conducted by measuring the input voltage [B] to a sensor [A] first, and then the output voltage [C] from the sensor.
- Sometime this method can detect a fault of the ECU.
- Refer to each Sensor Inspection section for detail in this chapter.
- Use a fully charged battery, and a digital meter [D] which can be read two decimal places voltage or resistance.



○ The DFI part connectors [A] have seals [B], including the ECU (except for ISC valves).

- Join the connector [A] and insert the needle adapter (special tool) [C] inside the seal [B] from behind the connector until the adapter reaches the terminal.

Special Tool - Needle Adapter Set: 57001-1457

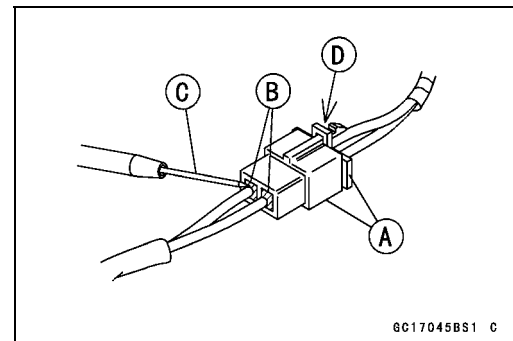
CAUTION

Insert the needle adapter straight along the terminal in the connector to prevent short-circuit between terminals.

- Make sure that measuring points are correct in the connector, noting the position of the lock [D] and the lead color before measurement. Do not reverse connections of the hand tester or a digital meter.
- Be careful not to short-circuit the leads of the DFI or electrical system parts by contact between adapters.
- Turn the ignition SW ON and measure the voltage with the connector joined.

CAUTION

Incorrect, reverse connection or short circuit by needle adapters could damage the DFI or electrical system parts.

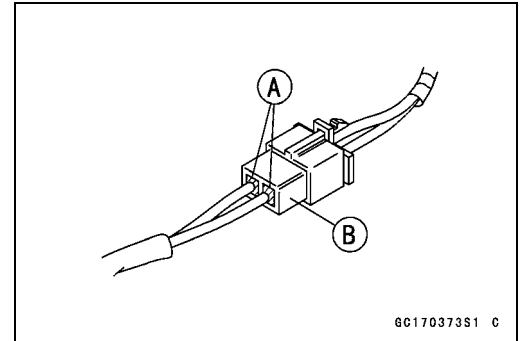


Troubleshooting the DFI System

○After measurement, remove the needle adapters and apply silicone sealant to the seals [A] of the connector [B] for waterproofing.

Silicone Sealant- Kawasaki Bond: 56019-120

- Always check battery condition before replacing the DFI parts. A fully charged battery is a must for conducting accurate tests of the DFI system.



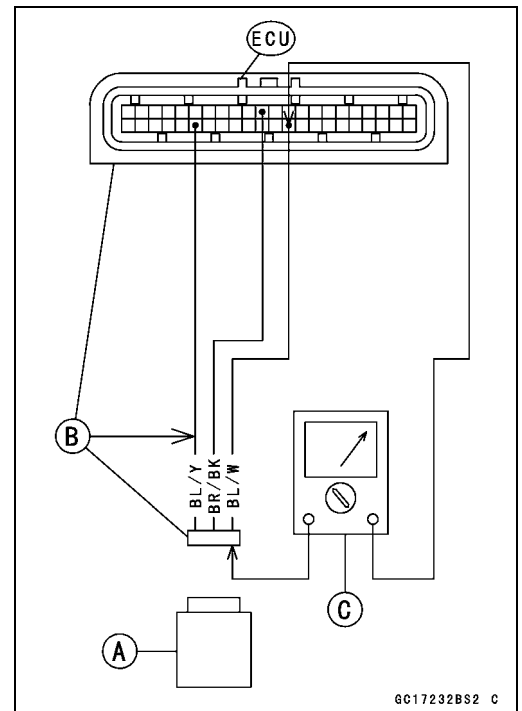
Resistance Check Method

○This method is simple. No need for a fully charged battery and the needle adapter. Just do the following especially when a sensor [A] is suspect.

- Turn the ignition SW OFF and disconnect the connectors.
- Inspect the sensor resistance, using a digital meter (see each Sensor Inspection in this chapter).
- Inspect the wiring and connections [B] for continuity, using the hand tester [C] (special tool, analog tester) rather than a digital meter.

Special Tool - Hand Tester: 57001-1394

- ★ If the sensor, the wiring and connections are good, inspect the ECU for its ground and power supply (see this chapter). If the ground and power supply are good, the ECU is suspect. Replace the ECU.

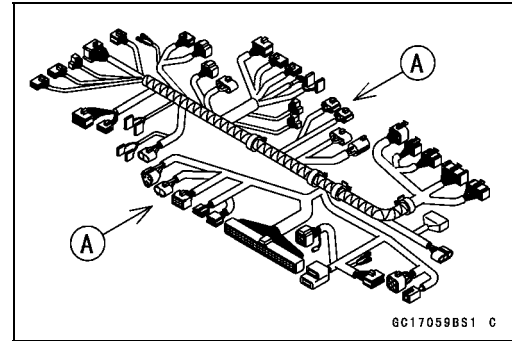


- Trouble may involve one or in some cases all items. Never replace a defective part without determining what CAUSED the problem. If the problem was caused by some other item or items, they too must be repaired or replaced, or the new replacement part will soon fail again.
- Measure coil winding resistance when the DFI part is cold (at room temperature).
- Make sure all connectors in the circuit are clean and tight, and examine wires for signs of burning, fraying, short, etc. Deteriorated wires and bad connections can cause reappearance of problems and unstable operation of the DFI system.

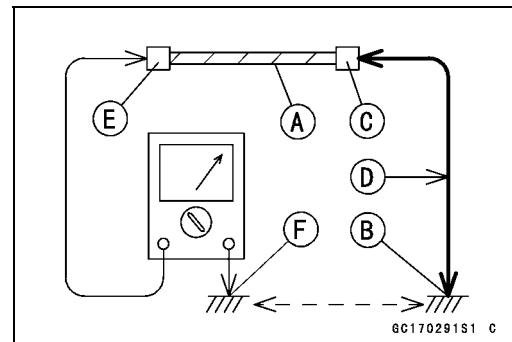
3-26 FUEL SYSTEM (DFI)

Troubleshooting the DFI System

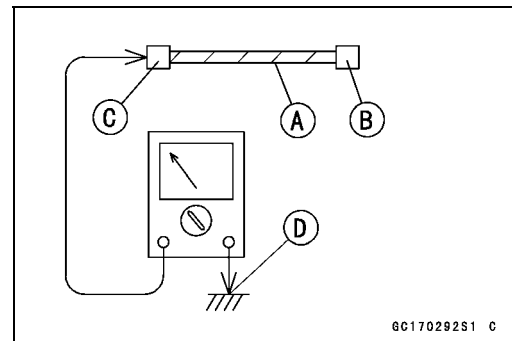
- ★ If any wiring is deteriorated, replace the wiring.
- Pull each connector [A] apart and inspect it for corrosion, dirt, and damage.
- ★ If the connector is corroded or dirty, clean it carefully. If it is damaged, replace it. Connect the connectors securely.
- Check the wiring for continuity.
- Use the wiring diagram to find the ends of the lead which is suspected of being a problem.
- Connect the hand tester between the ends of the leads.
- Set the tester to the $\times 1 \Omega$ range, and read the tester.
- ★ If the tester does not read 0Ω , the lead is defective. Replace the lead.



- If both ends of a harness [A] are far apart, ground [B] the one end [C], using an auxiliary wire [D] and check the continuity between the end [E] and the ground [F]. This enables to check a long harness for continuity. If the harness is open, repair or replace the harness.



- When checking a harness [A] for short circuit, open one end [B] and check the continuity between the other end [C] and ground [D]. If there is continuity, the harness has a short circuit to ground, and it must be repaired or replaced.



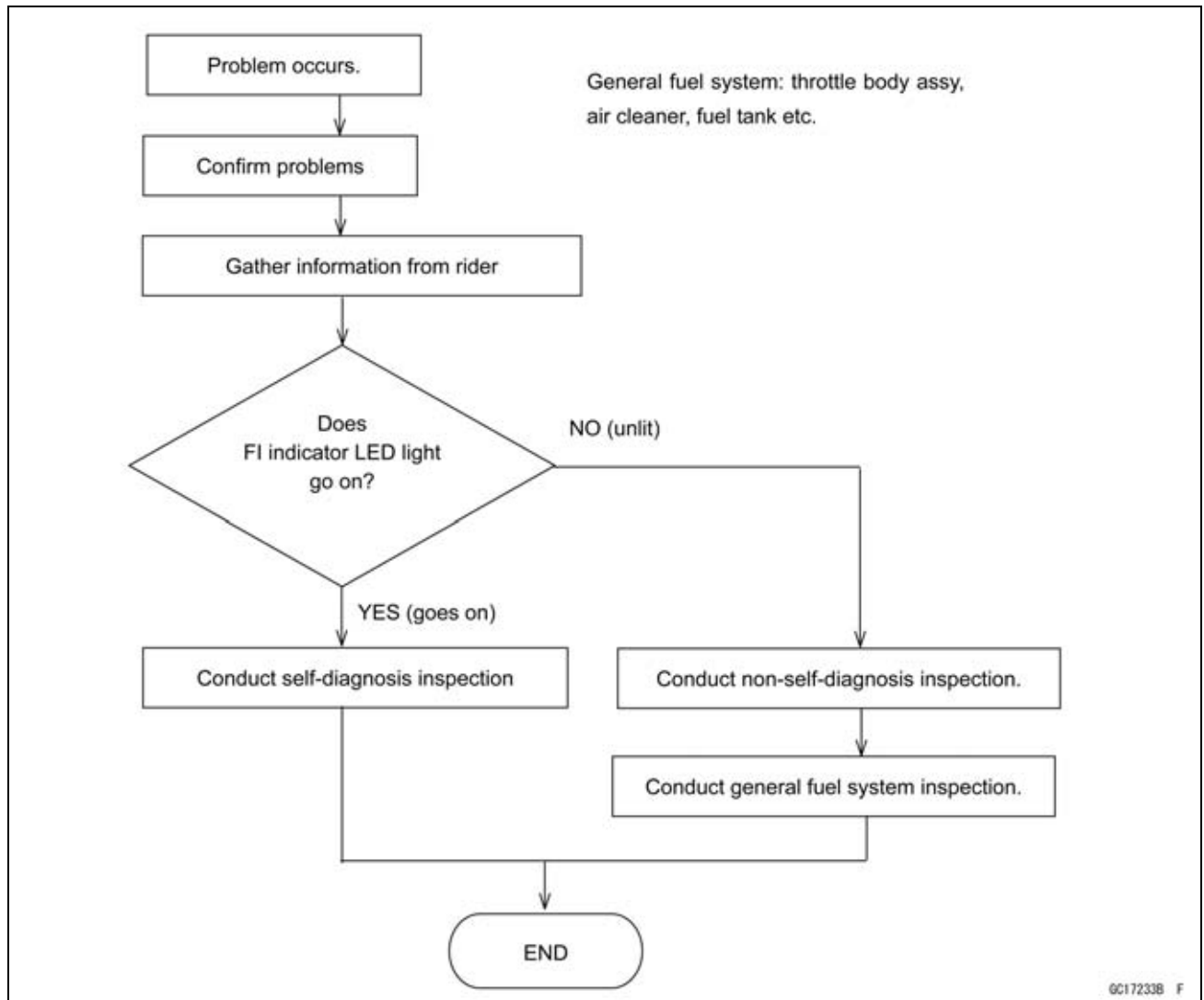
- Narrow down suspicious locations by repeating the continuity tests from the ECU connectors.
- ★ If no abnormality is found in the wiring or connectors, the DFI parts are the next likely suspects. Check the part, starting with input and output voltages. However, there is no way to check the ECU itself.
- ★ If an abnormality is found, replace the affected DFI part.
- ★ If no abnormality is found in the wiring, connectors, and DFI parts, replace the ECU.
- The following diagnosis flow chart illustrates the above procedures.

○ Wire Color Codes:

BK: Black	G: Green	P: Pink
BL: Blue	GY: Gray	PU: Purple
BR: Brown	LB: Light blue	R: Red
CH: Chocolate	LG: Light green	W: White
DG: Dark green	O: Orange	Y: Yellow

Troubleshooting the DFI System

DFI Diagnosis Flow Chart



Inquiries to Rider

- Refer to the next sample diagnosis chart.
- Each rider reacts to problems in different ways, so it is important to confirm what kind of symptoms the rider has encountered.
- Try to find out exactly what problem occurred under exactly what conditions by asking the rider; knowing this information may help you reproduce the problem.
- The diagnosis sheet will help prevent you from overlooking any areas, and will help you decide if it is a DFI system problem, or a general engine problem.

3-28 FUEL SYSTEM (DFI)

Troubleshooting the DFI System

Sample Diagnosis Sheet

Rider name:		Year of initial registration:
Registration No. (license plate No.):		Frame No.:
Model:	Engine No.:	Mileage:
Date problem occurred:		
Environment when problem occurred.		
Weather	<input type="checkbox"/> fine, <input type="checkbox"/> cloudy, <input type="checkbox"/> rain, <input type="checkbox"/> snow, <input type="checkbox"/> always, <input type="checkbox"/> other:	
Temperature	<input type="checkbox"/> hot, <input type="checkbox"/> warm, <input type="checkbox"/> cold, <input type="checkbox"/> very cold, <input type="checkbox"/> always	
Problem frequency	<input type="checkbox"/> chronic, <input type="checkbox"/> often, <input type="checkbox"/> once	
Road	<input type="checkbox"/> street, <input type="checkbox"/> highway, <input type="checkbox"/> mountain road (<input type="checkbox"/> uphill, <input type="checkbox"/> downhill), <input type="checkbox"/> bumpy, <input type="checkbox"/> pebble	
Altitude	<input type="checkbox"/> normal, <input type="checkbox"/> high (about 1 000 m or more)	
Motorcycle conditions when problem occurred.		
FI indicator LED light	<input type="checkbox"/> light up immediately after ignition SW ON, and goes off after engine oil pressure is high enough (with engine running) (normal).	
	<input type="checkbox"/> lights up immediately after ignition SW ON, and stays on after engine oil pressure is high enough (with engine running) (DFI problem)	
	<input type="checkbox"/> lights up immediately after ignition SW ON, but goes off after about 10 seconds though engine oil pressure is high enough (with engine running) (DFI problem).	
	<input type="checkbox"/> unlights (LED light, ECU or its wiring fault).	
	<input type="checkbox"/> sometimes lights up (probably wiring fault).	
Starting difficulty	<input type="checkbox"/> starter motor not rotating.	
	<input type="checkbox"/> starter motor rotating but engine doesn't turn over.	
	<input type="checkbox"/> starter motor and engine don't turn over.	
	<input type="checkbox"/> no fuel flow (<input type="checkbox"/> no fuel in tank, <input type="checkbox"/> no fuel pump sound).	
	<input type="checkbox"/> engine flooded (do not crank engine with throttle opened, which promotes engine flooding).	
	<input type="checkbox"/> no spark.	
	<input type="checkbox"/> choke knob is not pulled fully when using the knob (pull it fully when using).	
<input type="checkbox"/> other:		
Engine stops	<input type="checkbox"/> right after starting.	
	<input type="checkbox"/> when opening throttle grip.	
	<input type="checkbox"/> when closing throttle grip.	
	<input type="checkbox"/> when moving off.	
	<input type="checkbox"/> when stopping the motorcycle.	
	<input type="checkbox"/> when cruising.	
	<input type="checkbox"/> other:	
Poor running at low speed	<input type="checkbox"/> choke knob left pulled out fully (push it in fully).	
	<input type="checkbox"/> very low fast idle speed.	
	<input type="checkbox"/> very low idle speed, <input type="checkbox"/> very high idle speed, <input type="checkbox"/> rough idle speed.	
	<input type="checkbox"/> battery voltage is low (charge the battery).	
	<input type="checkbox"/> spark plug loose (tighten it).	
	<input type="checkbox"/> spark plug dirty, broken, or gap maladjusted (adjust it).	
	<input type="checkbox"/> backfiring.	
	<input type="checkbox"/> afterfiring.	
<input type="checkbox"/> hesitation when acceleration.		

Troubleshooting the DFI System

Poor running at low speed	<input type="checkbox"/> engine oil viscosity too high.
	<input type="checkbox"/> brake dragging.
	<input type="checkbox"/> engine overheating.
	<input type="checkbox"/> clutch slipping.
	<input type="checkbox"/> other:
Poor running or no power at high speed	<input type="checkbox"/> choke knob left pulled out fully (push it in fully).
	<input type="checkbox"/> spark plug loose (tighten it).
	<input type="checkbox"/> spark plug dirty, broken, or gap maladjusted (remedy it).
	<input type="checkbox"/> spark plug incorrect (replace it).
	<input type="checkbox"/> knocking (fuel poor quality or incorrect, → use high-octane gasoline).
	<input type="checkbox"/> brake dragging.
	<input type="checkbox"/> clutch slipping.
	<input type="checkbox"/> engine overheating.
	<input type="checkbox"/> engine oil level too high.
	<input type="checkbox"/> engine oil viscosity too high.
	<input type="checkbox"/> other:

3-30 FUEL SYSTEM (DFI)

DFI System Troubleshooting Guide

NOTE

- This is not an exhaustive list, giving every possible cause for each problem listed. It is meant simply as a rough guide to assist the troubleshooting for some of the more common difficulties.
- The ECU may be involved in the DFI electrical and ignition system troubles. If these parts and circuits checked out good, be sure to check the ECU for ground and power supply. If the ground and power supply are checked good, replace the ECU.

Engine Doesn't Start, Starting Difficulty

Symptoms or Possible Causes	Actions (chapter)
Starter motor not rotating:	
Ignition and engine stop switches not ON	Turn both switches ON.
Starter lockout switch or neutral switch trouble	Inspect (see chapter 16).
Starter motor trouble	Inspect (see chapter 16).
Battery voltage low	Inspect and charge (see chapter 16).
Starter relays not contacting or operating	Inspect the starter relay (see chapter 16).
Starter button not contacting	Inspect and replace (see chapter 16).
Starter system wiring open or shorted	Inspect the wiring (see chapter 16).
Ignition switch trouble	Inspect and replace (see chapter 16).
Engine stop switch trouble	Inspect and repair or replace (see chapter 16).
Main 30A or ignition fuse blown	Inspect and replace (see chapter 16).
Starter motor rotating but engine doesn't turn over:	
Starter clutch trouble	Inspect (see chapter 9).
Starter idle gear trouble	Inspect (see chapter 9).
Engine won't turn over:	
Valve seizure	Inspect and replace (see chapter 5).
Rocker arm seizure	Inspect and replace (see chapter 5).
Cylinder, piston seizure	Inspect and replace (see chapter 5).
Camshaft seizure	Inspect and replace (see chapter 5).
Connecting rod small end seizure	Inspect and replace (see chapter 9).
Connecting rod big end seizure	Inspect and replace (see chapter 9).
Crankshaft seizure	Inspect and replace (see chapter 9).
Transmission gear or bearing seizure	Inspect and replace (see chapter 9).
Balancer bearing seizure	Inspect and replace (see chapter 9).
No fuel flow:	
No or little fuel in tank	Supply fuel (see Owner's Manual).
Fuel pump not rotating	Inspect (see chapter 3).
Fuel injector trouble	Inspect and replace (see chapter 3).
Fuel tank air vent obstructed	Inspect and repair (see chapter 3).
Fuel filter or pump screen clogged	Inspect and replace fuel pump (see chapter 3).
Fuel pressure regulator clogged	Inspect and replace fuel pump (see chapter 3).
Fuel line clogged	Inspect and repair (see chapter 3).
Engine flooded:	
Spark plug dirty, broken or gap maladjusted	Clean spark plugs and adjust plug gap (see chapter 2).
Starting technique faulty	When flooded, don't crank engine with throttle fully opened.

DFI System Troubleshooting Guide

No spark or spark weak:	
Ignition and engine stop switches not ON	Turn both switches ON.
Clutch lever not pulled in and gear not in neutral whether sidestand up or not	Pull the lever in and shift the gear in neutral.
Though clutch lever pulled in but sidestand up and gear not in neutral	Sidestand down and clutch lever pulled in whether gear in neutral, or not.
Vehicle-down sensor coming off	Reinstall (see chapter 3).
Vehicle-down sensor trouble	Inspect (see chapter 3).
ECU ground or power supply trouble	Inspect (see chapter 3).
Battery voltage low	Inspect and charge (see chapter 16).
Spark plug dirty, broken or gap maladjusted	Clean spark plug and adjust plug gap (see chapter 2).
Spark plug cap or high tension wiring trouble	Inspect the ignition coil (see chapter 16).
Spark plug cap shorted or not in good contact	Reinstall or inspect the cap (see chapter 16).
Spark plug incorrect	Replace it with the correct plug (see chapter 16).
IC igniter in ECU trouble	Inspect (see chapter 16).
Neutral, starter lockout or sidestand switch trouble	Inspect each switch (see chapter 16).
Crankshaft sensor trouble	Inspect (see chapter 16).
Ignition coil trouble	Inspect (see chapter 16).
Ignition switch shorted	Inspect and replace (see chapter 16).
Engine stop switch shorted	Inspect and repair or replace (see chapter 16).
Starter system wiring shorted or open	Inspect and repair or replace (see chapter 16).
Main 30A or ignition fuse blown	Inspect and replace (see chapter 16).
Fuel/air mixture incorrect:	
Air cleaner clogged, poorly sealed or missing	Clean or reinstall (see chapter 3).
Leak from oil filler cap, crankcase breather hose or air cleaner drain hose	Inspect and repair or replace (see chapter 3).
Water or foreign matter in fuel	Change fuel. Inspect and clean fuel system (see chapter 3).
Fuel pressure regulator trouble	Inspect fuel pressure and replace fuel pump (see chapter 3).
Throttle sensor trouble	Inspect (see chapter 3).
Fuel pressure may be low	Inspect (see chapter 3).
Fuel pump trouble	Inspect (see chapter 3).
Fuel injector trouble	Inspect (see chapter 3).
Inlet air pressure sensor trouble	Inspect (see chapter 3).
Atmospheric pressure sensor trouble	Inspect (see chapter 3).
Inlet air temperature sensor trouble	Inspect (see chapter 3).
Water temperature sensor trouble	Inspect (see chapter 3).
ISC valve trouble	Inspect (see chapter 3).
Crankshaft sensor trouble	Inspect (see chapter 3).
Compression low:	
Spark plug loose	Reinstall (see chapter 16).
Cylinder head not sufficiently tightened down	Tighten (see chapter 5).
Cylinder, piston worn	Inspect and replace (see chapter 5).

3-32 FUEL SYSTEM (DFI)

DFI System Troubleshooting Guide

Piston ring bad (worn, weak, broken or sticking)	Inspect and replace (see chapter 5).
Piston ring/groove clearance excessive	Inspect and replace (see chapter 5).
Cylinder head gasket damaged	Replace (see chapter 5).
Cylinder head warped	Inspect and replace (see chapter 5).
Valve guide worn	Inspect and replace (see chapter 5).
Valve spring broken or weak	Inspect and replace (see chapter 5).
Valve not seating properly (valve bent, worn or carbon accumulating on seating surface)	Inspect and repair or replace (see chapter 5).
KACR (compression release cam) sticks open (Engine stalls when moving off)	Inspect and repair or replace (see chapter 5).
HLA (hydraulic lash adjuster) damaged (worn, seizure or spring broken)	Inspect and replace (see chapter 5).
HLA oil passage clogged	Inspect and repair or replace (see chapter 5).

Poor Running at Low Speed

Symptoms or Possible Causes	Actions (chapter)
Spark weak:	
Battery voltage low	Inspect and charge (see chapter 16).
Spark plug dirty, broken, or gap maladjusted	Clean spark plugs and adjust plug gap (see chapter 2).
Spark plug cap or high tension wiring trouble	Inspect the ignition coil (see chapter 16).
Spark plug cap shorted or not in good contact	Reinstall or inspect the cap (see chapter 16).
Spark plug incorrect	Replace it with the correct plug (see chapter 16).
IC igniter in ECU trouble	Inspect (see chapter 16).
Crankshaft sensor trouble	Inspect (see chapter 16).
Ignition coil trouble	Inspect (see chapter 16).
Fuel/air mixture incorrect:	
Little fuel in tank	Supply fuel (see Owner's Manual).
Air cleaner clogged, poorly sealed, or missing	Clean element or inspect sealing (see chapter 3).
Air cleaner duct loose	Reinstall (see chapter 3).
Air cleaner O-ring damaged	Replace (see chapter 3).
Fuel tank air vent obstructed	Inspect and repair (see chapter 3).
Throttle body assy loose	Reinstall (see chapter 3).
Throttle body assy O-ring damage	Replace (see chapter 3).
Choke knob left pulled out	Push in (see chapter 3).
Fuel filter or pump screen clogged	Inspect and replace fuel pump (see chapter 3).
Fuel pressure regulator clogged	Inspect fuel pressure and replace fuel pump (see chapter 3).
Fuel line clogged	Inspect and repair (see chapter 3).
Thermostat trouble	Inspect and replace (see chapter 4).
Inlet air temperature sensor trouble	Inspect (see chapter 3).
Inlet air pressure sensor trouble	Inspect (see chapter 3).
Unstable (rough) idling:	
ISC valve trouble	Inspect (see chapter 3).
Fuel injector trouble	Inspect (see chapter 3).
Throttle sensor trouble	Inspect (see chapter 3).

DFI System Troubleshooting Guide

Symptoms or Possible Causes	Actions (chapter)
Inlet air temperature sensor trouble	Inspect (see chapter 3).
Water temperature sensor trouble	Inspect (see chapter 3).
Atmospheric pressure sensor trouble	Inspect (see chapter 3).
Fuel pressure too low or too high	Inspect (see chapter 3).
Battery voltage low	Inspect and charge (see chapter 16).
Incorrect idle speed:	
Water temperature sensor trouble	Inspect (see chapter 3).
Throttle sensor trouble	Inspect (see chapter 3).
ISC valve trouble	Inspect (see chapter 3).
Engine stalls easily:	
Fuel pump trouble	Inspect (see chapter 3).
Fuel injector trouble	Inspect (see chapter 3).
Throttle sensor trouble (engine stops when opening the throttle)	Inspect (see chapter 3).
Fuel pressure too low or too high	Inspect (see chapter 3).
Inlet air temperature sensor trouble	Inspect (see chapter 3).
Fuel pressure too low or too high	Inspect (see chapter 3).
Fuel pressure regulator trouble	Inspect and replace (see chapter 3).
Crankshaft sensor trouble	Inspect (see chapter 16).
Ignition coil trouble	Inspect (see chapter 16).
Compression Low:	
Spark plug loose	Reinstall (see chapter 16).
Cylinder head not sufficiently tightened down	Tighten (see chapter 5).
Cylinder, piston worn	Inspect and replace (see chapter 5).
Piston ring bad (worn, weak, broken or sticking)	Inspect and replace (see chapter 5).
Piston ring/groove clearance excessive	Inspect and replace (see chapter 5).
Cylinder head gasket damaged	Replace (see chapter 5).
Cylinder head warped	Inspect and replace (see chapter 5).
Valve guide worn or stem seal damaged	Inspect and replace (see chapter 5).
Valve spring broken or weak	Inspect and replace (see chapter 5).
Valve not seating properly (valve bent, worn or carbon accumulating on seating surface)	Inspect and repair or replace (see chapter 5).
Camshaft cam worn	Inspect and replace (see chapter 5).
KACR (compression release cam) sticks open	Inspect and repair or replace (see chapter 5).
HLA (hydraulic lash adjuster) damaged	Inspect and replace (see chapter 5).
HLA oil passage clogged	Inspect and repair or replace (see chapter 5).
Hesitation:	
Too low fuel pressure	Inspect (see chapter 3).
Clogged fuel line	Inspect and repair (see chapter 3).
Cracked or obstructed inlet air pressure sensor hose	Inspect and repair or replace (see chapter 3).
Fuel pump trouble	Inspect (see chapter 3).
Fuel injector trouble	Inspect (see chapter 3).
Inlet air temperature sensor trouble	Inspect (see chapter 3).
Throttle sensor malfunction	Inspect (see chapter 3).

3-34 FUEL SYSTEM (DFI)

DFI System Troubleshooting Guide

Symptoms or Possible Causes	Actions (chapter)
Water temperature sensor trouble	Inspect (see chapter 3).
Atmospheric pressure sensor trouble	Inspect (see chapter 3).
Inlet air pressure sensor trouble	Inspect (see chapter 3).
Loose injector connectors	Remedy (see chapter 3).
Crankshaft sensor trouble	Inspect and repair or replace (see chapter 16).
Ignition coil trouble	Inspect and repair or replace (see chapter 16).
Loose terminal of battery (-) lead or engine ground lead	Inspect and repair (see chapter 16).
Delay of ignition timing	Inspect crankshaft sensor and IC igniter in ECU (see chapter 16).
Poor acceleration:	
Choke knob left pulled out	Push in (see chapter 3).
Too low fuel pressure	Inspect (see chapter 3).
Water or foreign matter in fuel	Change fuel. Inspect and clean fuel system (see chapter 3).
Clogged fuel filter	Inspect (see chapter 3) and replace fuel pump.
Fuel pump trouble	Inspect (see chapter 3).
Fuel injector trouble	Inspect (see chapter 3).
Inlet air temperature sensor trouble	Inspect (see chapter 3).
Water temperature sensor trouble	Inspect (see chapter 3).
Atmospheric pressure sensor trouble	Inspect (see chapter 3).
Ignition coil trouble	Inspect and replace (see chapter 16).
Engine oil level too high	Repair (see chapter 7).
Spark plug dirty, broken or gap maladjusted	Clean spark plugs and adjust plug gap (see chapter 2).
Stumble:	
Too low fuel pressure	Inspect (see chapter 3).
Fuel injector trouble	Inspect (see chapter 3).
Throttle sensor malfunction	Inspect (see chapter 3).
Water temperature sensor trouble	Inspect (see chapter 3).
Inlet air pressure sensor trouble	Inspect (see chapter 3).
Surge:	
Unstable fuel pressure	Fuel pressure regulator trouble (Inspect and replace fuel pump) or kinked fuel line (Inspect and repair fuel line) (see chapter 3).
Fuel injector trouble	Inspect (see chapter 3).
Water temperature sensor trouble	Inspect (see chapter 3).
Backfiring when deceleration:	
Spark plug dirty, broken or gap maladjusted	Clean spark plugs and adjust plug gap (see chapter 2).
Too low fuel pressure	Inspect (see chapter 3).
Crankshaft sensor trouble	Inspect (see chapter 3).
Fuel pump trouble	Inspect (see chapter 3).
Throttle sensor malfunction	Inspect (see chapter 3).
Inlet air temperature sensor trouble	Inspect (see chapter 3).

DFI System Troubleshooting Guide

Symptoms or Possible Causes	Actions (chapter)
Water temperature sensor trouble	Inspect (see chapter 3).
Atmospheric pressure sensor trouble	Inspect (see chapter 3).
Inlet air pressure sensor trouble	Inspect (see chapter 3).
Air switching valve broken	Inspect and replace (see chapter 5).
Air suction valve trouble	Inspect and replace (see chapter 5).
After fire:	
Spark plug burned or gap maladjusted	Adjust plug gap or replace plug (see chapter 16).
Crankshaft sensor trouble	Inspect (see chapter 3).
Inlet air temperature sensor trouble	Inspect (see chapter 3).
Water temperature sensor trouble	Inspect (see chapter 3).
Atmospheric pressure sensor trouble	Inspect (see chapter 3).
Inlet air pressure sensor trouble	Inspect (see chapter 3).
Fuel injector trouble	Inspect (see chapter 3).
Run-on (dieseling):	
Ignition switch trouble	Inspect and replace (see chapter 16).
Engine switch trouble	Inspect and repair or replace (see chapter 16).
Fuel injector trouble	Inspect (see chapter 3).
Engine overheating	(see Overheating of Troubleshooting Guide, see chapter 17).
Other:	
Engine oil viscosity too high	Change (see chapter 2).
Drive train trouble	Inspect tightness of bolts and nuts (see chapter 2) or bearing wear (see chapter 11).
Final gear case oil viscosity too high	Change (see chapter 2).
Brake dragging	Inspect caliper fluid seal damage or clogging of master cylinder relief and supply ports (see chapter 12).
Clutch slipping	Inspect friction plates for wear (see chapter 6).
Engine overheating	(see Overheating of Troubleshooting Guide in chapter 17).
Air switching valve trouble	Inspect and replace (see chapter 5).
Air suction valve trouble	Inspect and replace (see chapter 5).
Intermittent any DFI fault and its recovery	Check that DFI connectors are clean and tight, and examine wires for signs of burning or fraying (see chapter 3).

3-36 FUEL SYSTEM (DFI)

DFI System Troubleshooting Guide

Poor Running or No Power at High Speed:

Symptoms or Possible Causes	Actions (detailed reference)
Firing incorrect:	
Spark plug dirty, broken or maladjusted	Clean spark plug and adjust plug gap (see chapter 2).
Spark plug cap or high tension wiring trouble	Inspect plug cap and ignition coil (see chapter 16).
Spark plug cap shorted or not in good contact	Reinstall or inspect the cap (see chapter 16).
Spark plug incorrect	Replace it with the correct plug (see chapter 16).
IC igniter in ECU trouble	Inspect (see chapter 16).
Crankshaft sensor trouble	Inspect (see chapter 16).
Ignition coil trouble	Inspect (see chapter 16).
Fuel/mixture incorrect:	
Choke knob left pulled out	Push in (see chapter 3).
Air cleaner clogged, poorly sealed, or missing	Clean element or inspect sealing (see chapter 3).
Air cleaner duct loose	Reinstall (see chapter 3).
Air cleaner O-ring damaged	Replace (see chapter 3).
Water or foreign matter in fuel	Change fuel. Inspect and clean fuel system (see chapter 3).
Throttle body assy loose	Reinstall (see chapter 3).
Throttle body assy O-ring damaged	Replace (see chapter 3).
Fuel tank air vent obstructed	Inspect and repair (see chapter 3).
Fuel line clogged	Inspect and repair (see chapter 3).
Fuel pump operates intermittently and often DFI fuse blows.	Pump bearings may wear. Replace the pump (see chapter 3).
Fuel pump trouble	Inspect (see chapter 3).
Inlet air temperature sensor trouble	Inspect (see chapter 3).
Throttle sensor malfunction	Inspect (see chapter 3).
Atmospheric pressure sensor trouble	Inspect (see chapter 3).
Inlet air pressure sensor trouble	Inspect (see chapter 3).
Cracked or obstructed inlet air pressure sensor hose	Inspect and repair or replace (see chapter 3).
Injector clogged	Visually inspect and replace (see chapter 3).
Compression low:	
Spark plug loose	Reinstall (see chapter 16).
Cylinder head not sufficiently tightened down	Tighten (see chapter 5).
Cylinder, piston worn	Inspect and replace (see chapter 5).
Piston ring bad (worn, weak, broken or sticking)	Inspect and replace (see chapter 5).
Piston ring/groove clearance excessive	Inspect and replace (see chapter 5).
Cylinder head gasket damaged	Replace (see chapter 5).
Cylinder head warped	Inspect and replace (see chapter 5).
Valve spring broken or weak	Inspect and replace (see chapter 5).
Valve not seating properly (valve bent , worn or carbon accumulating on the seating surface)	Inspect and repair or replace (see chapter 5).
KACR (compression release cam) sticks open (engine stalls when moving off)	Inspect and repair or replace (see chapter 5).

DFI System Troubleshooting Guide

Symptoms or Possible Causes	Actions (detailed reference)
HLA (hydraulic lash adjuster) damaged (worn, seizure or spring broken)	Inspect and replace (see chapter 5).
Knocking:	
Carbon built up in combustion chamber	Repair (see chapter 5).
Fuel poor quality or incorrect (Use high-octane gasoline recommended in the Owner's Manual)	Change fuel (see chapter 3).
Spark plug incorrect	Replace it with the correct plug (see chapter 16).
Ignition coil trouble	Inspect (see chapter 16).
IC igniter in ECU trouble	Inspect (see chapter 16).
Inlet air temperature sensor trouble	Inspect (see chapter 3).
Atmospheric pressure sensor trouble	Inspect (see chapter 3).
Miscellaneous:	
Throttle valves won't fully open	Inspect throttle cable and lever linkage (see chapter 3).
Brake dragging	Inspect caliper fluid seal damage or clogging of master cylinder relief and supply ports (see chapter 12).
Clutch slipping	Inspect friction plates for wear (see chapter 6).
Engine overheating	(see Overheating of Troubleshooting Guide in chapter 17).
Engine oil level too high	Repair (see chapter 7).
Engine oil viscosity too high	Change (see chapter 3).
Drive train trouble	Inspect tightness of bolts and nuts (see chapter 2) or bearing wear (see chapter 11).
Final gear case oil viscosity too high	Change (see chapter 2).
Camshaft cam worn	Inspect and replace (see chapter 5).
Air switching valve trouble	Inspect and replace (see chapter 5).
Air suction valve trouble	Inspect and replace (see chapter 5).
Catalytic converters melt down due to muffler overheating (KLEEN)	Replace muffler (see chapter 5).

Exhaust Smokes Excessively

White smokes:	
Piston oil ring worn	Inspect and replace (see chapter 5).
Cylinder worn	Inspect and replace (see chapter 5).
Valve oil seal damaged	Replace (see chapter 5).
Valve guide worn	Replace the guide (see chapter 5).
Engine oil level too high	Repair (see chapter 7).
Black smoke:	
Air cleaner clogged	Clean (see chapter 3).
Choke knob left pulled out	Push in (see chapter 3).
Too high fuel pressure	Inspect (see chapter 3).
Injection stuck open	Inspect (see chapter 3).
Water temperature sensor trouble	Inspect and replace (see chapter 3).
Inlet air temperature sensor trouble	Inspect and replace (see chapter 3).

3-38 FUEL SYSTEM (DFI)

DFI System Troubleshooting Guide

Brown smoke :	
Air cleaner duct loose	Reinstall (see chapter 3).
Air cleaner O-ring damaged	Replace (see chapter 3).
Too low fuel pressure	Inspect (see chapter 3).
Water temperature sensor trouble	Inspect and replace (see chapter 3).
Inlet air temperature sensor trouble	Inspect and replace (see chapter 3).

Self-Diagnosis

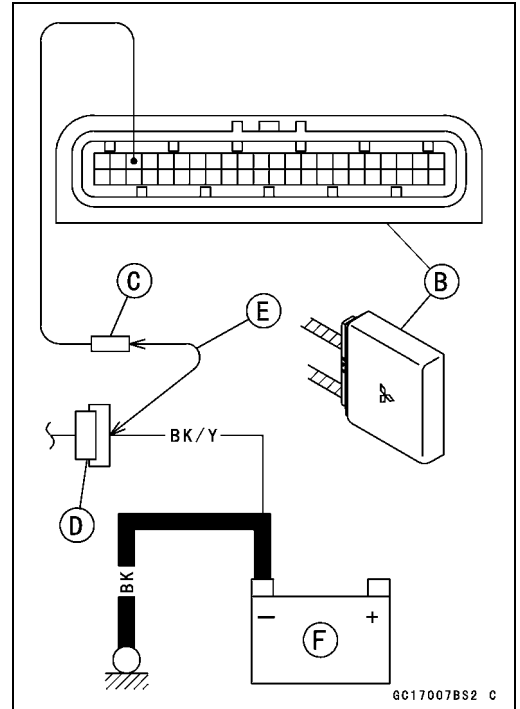
Self-diagnosis Conducting

- When a problem occurs with the DFI system, the DFI indicator LED light [A] goes on.
- Remove the seat (see Frame chapter).
- With the ECU connector joined, the self-diagnosis mode by grounding the self-diagnosis check female connector [C] (yellow lead from ECU [B]) to the battery (-) connector [D], using a wire [E]. The LED light blinks in 2 seconds after grounding.
- Battery [F]
- Count the blinks of the LED light to read the service code.



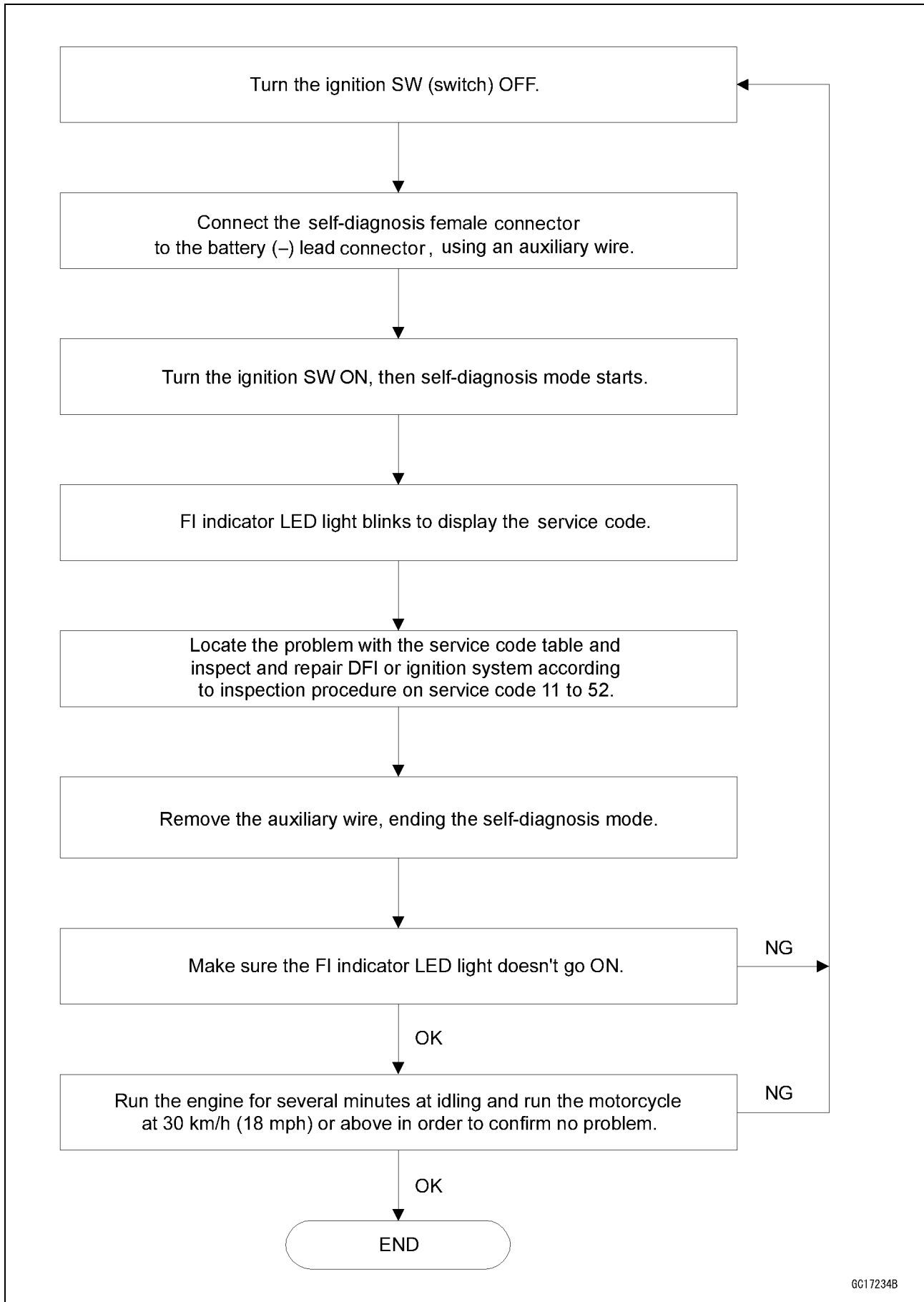
NOTE

- Use a fully charged battery when conducting self-diagnosis. Otherwise, the LED light blinks very slowly or doesn't blink.
- Keep the self-diagnosis female connector grounded during self-diagnosis, using a wire.



3-40 FUEL SYSTEM (DFI)

Self-Diagnosis

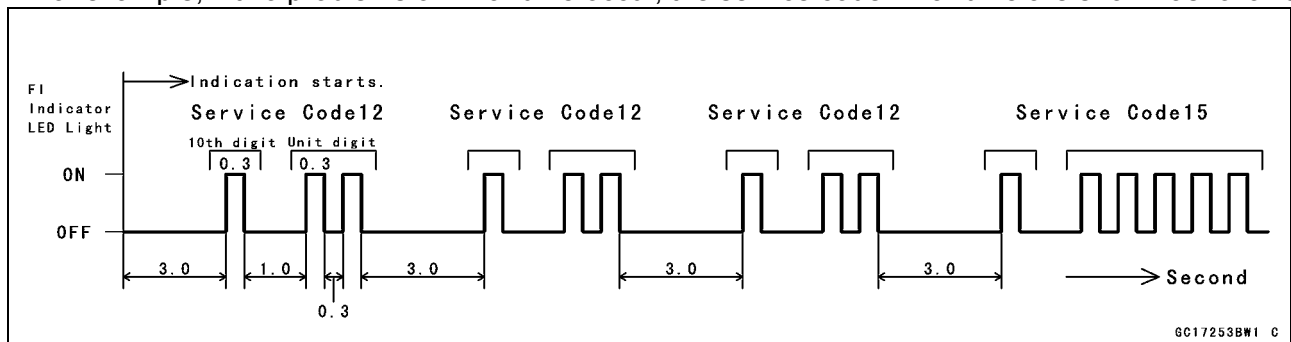


Self-Diagnosis

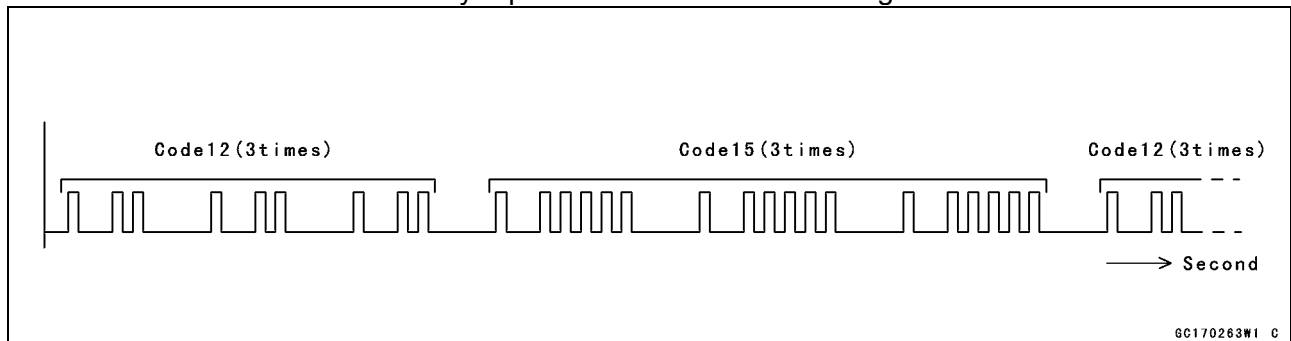
Service Code Reading

- Service codes are shown by a series of long and short blinks of the FI indicator LED light as shown below.
- Read 10th digit and unit digit as the FI indicator LED light blinks.
- When there are a number of problems, all the service codes can be stored and the display will begin starting from the lowest number service code in the numerical order. Then after completing all codes, the display is repeated until the ignition SW is turned OFF.
- For example, if four problems occurred in the order of 31, 15, 41, 12, the service codes are displayed from the lowest number in the order listed.
(12 → 15 → 31 → 41) → (12 → 15 → 31 → 41) → . . . (repeated)
- If there is no problem or when the repair has been done, no service code is shown.
- If the problem is with the following parts, the ECU cannot memorize these problems, the FI indicator LED light doesn't go on, and no service codes can be displayed.
FI Indicator LED Light
ISC Valves
Pressure Regulator (Fuel Pressure, Fuel Flow Rate)
DFI Main Relay
Ignition Coil Secondary Wiring (check the internal resistance, see Electrical System chapter)
ECU Power Source Wiring and Ground Wiring (see ECU Inspection in this chapter)

○For example, if two problems of 12 and 15 occur, the service code 12 and 15 are shown as follows.



○Each service code is continuously repeated three times until the ignition SW is turned OFF.



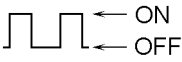









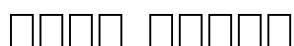


Service Code Erasing

- When the repair has been done, the LED light will not show service codes any more.
- ★But even if the repair has been done, the ignition SW is turned OFF, or the battery is disconnected, all the service codes remain in the ECU, which need not be absolutely erased.

3-42 FUEL SYSTEM (DFI)

Self-Diagnosis

Service Code Table

Service Code	FI Indicator LED Light	Problems (1)
11	 ON OFF gc170322.tif	Throttle sensor malfunction, wiring open or short
12	 gc170323.tif	Inlet air pressure sensor malfunction, wiring open or short
13	 gc170324.tif	Inlet air temperature sensor malfunction, wiring open or short
14	 gc170325.tif	Water temperature sensor malfunction, wiring open or short
15	 gc170326.tif	Atmospheric pressure sensor malfunction, wiring open or short
21	 gc170327.tif	Crankshaft sensor #1 malfunction, wiring open or short
22	 gc170328.tif	Crankshaft sensor #2 malfunction, wiring open or short
31	 gc170329.tif	Vehicle-down sensor, malfunction, wiring open or short
41	 gc170330.tif	Injector #1 malfunction, wiring open or short
42	 gc170331.tif	Injector #2 malfunction, wiring open or short
45	 gc170332.tif	Fuel pump malfunction, wiring open or short
51	 gc170333.tif	Ignition coil primary winding #1 malfunction, wiring open or short
52	 gc170334.tif	Ignition coil primary winding #2 malfunction, wiring open or short

Footnotes:

- (1) The ECU may be involved in these problems. If all the parts and circuits checked out good, be sure to check the ECU for ground and power supply. If the ground and power supply are checked good, replace the ECU.
- (2) When no service code is displayed, the electrical parts of the DFI system has no fault, and the mechanical parts of the DFI system and the engine are suspect.

#1: For Front Cylinder

#2: For Rear Cylinder

Self-Diagnosis

Backups

○The ECU takes the following measures to prevent engine damage when the DFI or the ignition system parts have troubles.

Service Codes	Parts	Output Signal Usable Range or Criteria	Backups by ECU
11	Throttle Sensor	Throttle Valve Opening Angle $\alpha = -4^\circ \sim +85^\circ$	★If the throttle sensor system fails (the signal is out of the usable range, wiring short or open), the ECU locks ignition timing into the ignition timing at full throttle open position and sets the DFI in the D-J method (1).
12	Inlet Air Pressure Sensor	Absolute Vacuum $P_v = 63 \text{ mmHg} \sim 860 \text{ mmHg}$	★If the inlet air pressure sensor system fails (the signal P_v is out of the usable range, wiring short or open), the ECU sets the DFI in the $\alpha - N$ method (1).
13	Inlet Air Temperature Sensor	Inlet Air Temperature $T_a = -47^\circ\text{C} \sim +178^\circ\text{C}$	★If the inlet air temperature sensor fails (the signal is out of the usable range, wiring short or open), the ECU sets T_a at 45°C .
14	Water Temperature Sensor	Water Temperature $T_w = -28^\circ\text{C} \sim +161^\circ\text{C}$	★If the water temperature sensor system fails (the signal is out of the usable range, wiring short or open), the ECU sets T_w at 86°C .
15	Atmospheric Pressure Sensor	Absolute Atmospheric Pressure $P_a = 63 \text{ mmHg} \sim 860 \text{ mmHg}$	★If the atmospheric pressure sensor system fails (the signal is out of the usable range, wiring short or open), the ECU sets P_a at 760 mmHg (the standard atmospheric pressure).
21	Crankshaft Sensor #1	Either crankshaft sensor must send signals (output voltage) 8 or more times continuously to the ECU.	★If either crankshaft sensor generates less than 8 signals, the ECU runs the engine by the signal of the good crankshaft sensor, but neither crankshaft sensors generate signals, the engine stops by itself.
22	Crankshaft Sensor #2		
31	Vehicle-down Sensor	Vehicle-down Sensor Output Voltage (signal) $V_d = 0.2 \text{ V} \sim 4.6 \text{ V}$	★If the vehicle-down sensor system has failures (the output voltage V_d is out of the usable range, wiring short or open), the ECU shuts off the fuel pump, the fuel injectors and the ignition system.
41	Fuel Injector #1	The injector must send signals (output voltage) 16 or more times continuously to the ECU.	★If the injector #1 fails (signals less than 16 times, wiring short or open), the ECU shuts off the signal to the injector. Fuel is not supplied to the cylinder #1, though the engine keeps running.
42	Fuel Injector #2	The injector must send signals (output voltage) 16 or more times continuously to the ECU.	★If the injector #2 fails (signals less than 16 times, wiring short or open), the ECU shuts off the signal to the injector. Fuel is not supplied to the cylinder #2, though the engine keeps running.
45	Fuel Pump	The pump must send signals (output voltage) continuously to the ECU.	★If the fuel pump fails (no signals to ECU, wiring short or open), the ECU shuts off the pump, and then the engine stops because of fuel pressure drop.

3-44 FUEL SYSTEM (DFI)

Self-Diagnosis

Service Codes	Parts	Output Signal Usable Range or Criteria	Backups by ECU
51	Ignition Coil #1	The ignition coil primary winding must send signals (output voltage) continuously to the ECU.	★ If the ignition primary winding #1 has failures (no signal, wiring short or open), the ECU shuts off the injector #1 to stop fuel to the cylinder #1, though the engine keeps running.
52	Ignition Coil #2	The ignition coil primary winding must send signals (output voltage) continuously to the ECU.	★ If the ignition primary winding #2 has failures (no signal, wiring short or open), the ECU shuts off the injector #2 to stop fuel to the cylinder #2, though the engine keeps running.

Note:

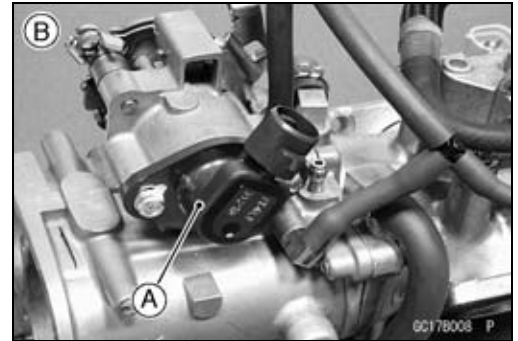
(1) When the engine load is light like at idling or low speed, the ECU determines injection quantity by calculating from throttle vacuum (inlet air pressure sensor output voltage) and engine speed (crankshaft sensor output voltage). This method is called D-J method. As engine speed increases, and the engine load turns middle to heavy, the ECU determines injection quantity by calculating from throttle opening (throttle sensor output voltage) and engine speed. This method is called $\alpha - N$ method.

Throttle Sensor (Service Code 11)

Throttle Sensor Removal/Adjustment

CAUTION
<p>Do not remove or adjust the throttle sensor [A] since it has been adjusted and set with precision at the factory.</p> <p>Never drop the sensor, especially on a hard surface. Such a shock to the sensor can damage it.</p>

Front View [B]



Input Voltage Inspection

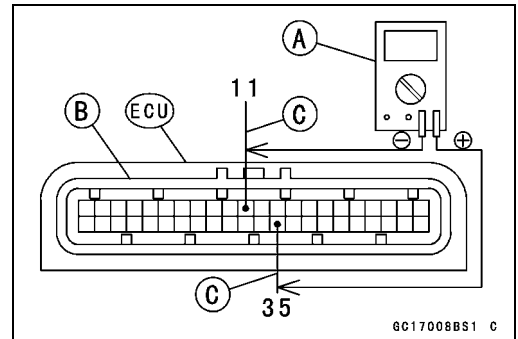
NOTE

- Be sure the battery is fully charged.
- The inspection is the same as "Input Voltage Inspection" of the inlet air pressure sensor or the atmospheric pressure sensor.

- Turn the ignition SW OFF.
- Remove the ECU (see this chapter). Do not disconnect the ECU connectors.
- Connect a digital voltmeter [A] to the connector [B], using two needle adapters [C].

Special Tool - Needle Adapter Set: 57001-1457

- Measure the input voltage to the throttle sensor with the engine stopped, and with the connectors joined.
- Turn the ignition switch ON.



Throttle Sensor Input Voltage

Connections to ECU Connector

- Meter (+) → BL/W lead (terminal 35)**
- Meter (-) → BR/BK lead (terminal 11)**

Standard: 4.75 ~ 5.25 V DC

- Turn the ignition SW OFF.
- ★ If the reading of input voltage is less than the standard, check the ECU for its ground, and power supply (see ECU section).
- ★ If the input voltage is within the standard range, remove the fuel tank, and check the wiring from the ECU to the throttle sensor for continuity.
- ★ If the wiring is good, check the output voltage of the throttle sensor.

Output Voltage Inspection

- Start the engine and warm it up thoroughly.
- Check idle speed to make sure the throttle opening is correct.

Idle Speed

Standard: 950 ±50 r/min (rpm)

- ★ If the idle speed is out of the specified range, adjust the idle speed (see this chapter).
- Turn off the ignition switch.

3-46 FUEL SYSTEM (DFI)

Throttle Sensor (Service Code 11)

- Remove the ECU (see this chapter). Do not disconnect the ECU connectors.
- Connect a digital meter [A] to the connector [B], using the needle adapters [C].

Special Tool - Needle Adapter Set: 57001-1457

CAUTION

Insert the needle adapter straight along the lead in the connector to prevent short circuit between terminals.

- Measure the output voltage of the sensor with the engine stopped, and with the connector joined.
- Turn the ignition SW ON.

Throttle Sensor Output Voltage

Connections to Sensor

Meter (+) → Y/W lead (terminal 26)

Meter (-) → BR/BK lead (terminal 11)

Standard: 0.584 ~ 0.604 V DC

(at idle throttle opening)

4.29 ~ 4.59 V DC

(at full throttle opening)

- ★ If the output voltage is normal, replace the ECU.
- ★ If the reading is out of the standard range, inspect the throttle sensor resistance.
- After throttle sensor inspection, remove the needle adapters, and apply silicone sealant to the seals [A] of the connector [B] for waterproofing.

Silicone Sealant- Kawasaki Bond: 56019-120

Resistance Inspection

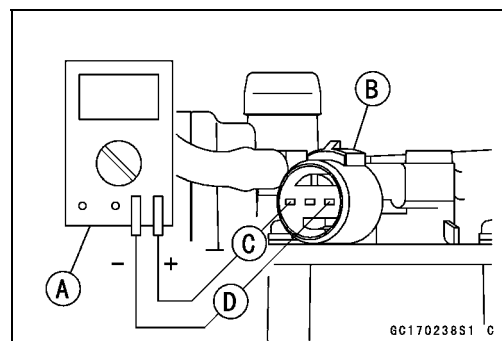
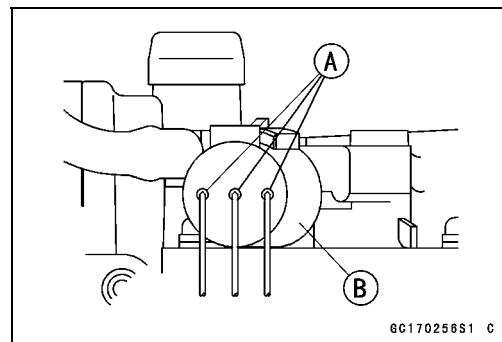
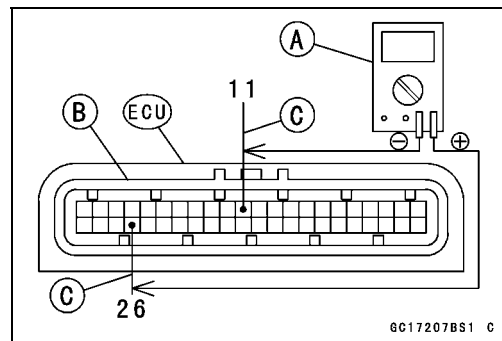
- Turn the ignition switch OFF.
- Disconnect the throttle sensor connector.
- Connect a digital meter [A] to the throttle sensor connector [B].
- Measure the throttle sensor resistance.

Throttle Sensor Resistance

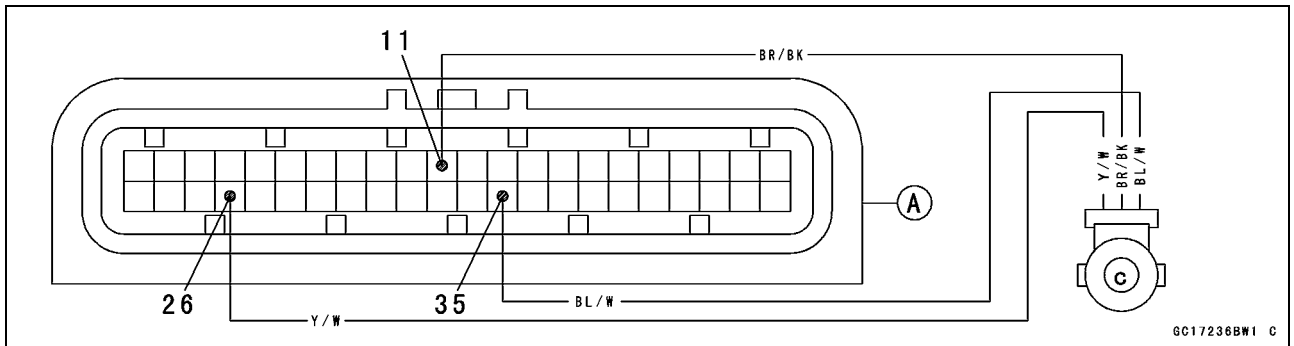
Connections: BL/W lead [C] ↔ BR/BK lead [D]

Standard: 4 ~ 6 kΩ

- ★ If the reading is out of the range, replace the throttle sensor along with the throttle body.
- ★ If the reading is within the range, but the problem still exists, the ECU is suspect. Replace the ECU.



Throttle Sensor (Service Code 11)



- A. ECU
- c. Throttle Sensor

3-48 FUEL SYSTEM (DFI)

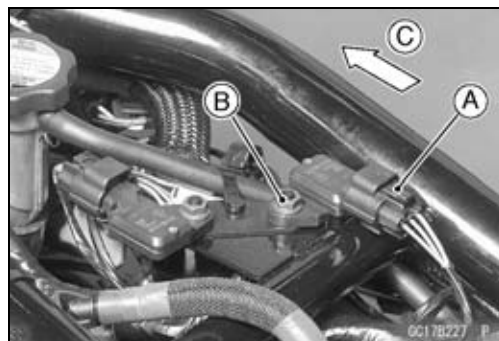
Inlet Air Pressure Sensor (Service Code 12)

Removal

CAUTION

Never drop the sensor, especially on a hard surface. Such a shock to the part can damage it.

- Remove the fuel tank (see Fuel Tank section in this chapter).
- Disconnect the inlet air pressure sensor connector [A].
- Unscrew the inlet air pressure sensor nut [B] and remove the sensor.
- Disconnect the vacuum hose from the sensor.
Front [C]

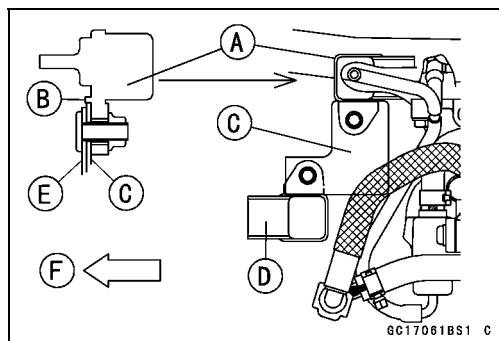


Installation

NOTE

○The inlet air pressure sensor is the same part as the atmospheric pressure sensor except that the inlet air pressure sensor has a vacuum hose and different wiring.

- Route the vacuum hose correctly (see Cable, Wire, and Hose Routing section in the Appendix chapter). Make sure it doesn't get pinched or kinked.
- Install the inlet air pressure sensor [A].
- The stopper [B] must not be on the sensor holder [C].
Atmospheric Pressure Sensor [D] (for reference)
Frame Bracket [E]
Front [F]
- Tighten the inlet air pressure sensor nut.
- Install the fuel tank (see this chapter).



Input Voltage Inspection

NOTE

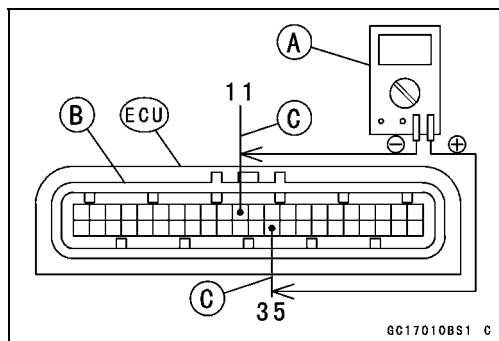
○Be sure the battery is fully charged.

○The inspection is the same as "Input Voltage Inspection" of the throttle sensor or the atmospheric pressure sensor.

- Turn the ignition switch OFF.
- Remove the ECU (see this chapter). Do not disconnect the ECU connector.
- Connect a digital voltmeter [A] to the connector [B], using two needle adapters [C].

Special Tool - Needle Adapter Set: 57001-1457

- Measure the input voltage to the inlet air pressure sensor with the engine stopped, and with the connectors joined.



Inlet Air Pressure Sensor (Service Code 12)

- Turn the ignition SW ON.

Inlet Air Pressure Sensor Input Voltage Connections to ECU

- Meter (+) → BL/W lead (terminal 35)
- Meter (-) → BR/BK lead (terminal 11)

Input Voltage at ECU

Standard: 4.75 ~ 5.25 V DC

- ★ If the reading is less than the standard range, check the ECU for its ground, and power supply (see this chapter). If the ground and power supply are good, the ECU is suspect. Replace the ECU.
- ★ If the reading is within the standard range, remove the fuel tank, and check the wiring between the ECU and the inlet air pressure sensor for continuity.
- ★ If the wiring is good, check the output voltage of the inlet air pressure sensor.

Output Voltage Inspection

NOTE

- The output voltage changes according to the local atmospheric pressure.
- The inlet air pressure sensor output voltage is based on a nearly perfect vacuum in the small chamber of the sensor. So, the sensor indicates absolute vacuum.

- ★ Check the output voltage of the sensor at the sensor connector [A] with the fuel tank removed (rear view).
- Measure the output voltage with the engine stopped and with the connector joined.
- Turn the ignition switch ON.
Needle Adapters [B]

Inlet Air Pressure Sensor Output Voltage Connections to Sensor

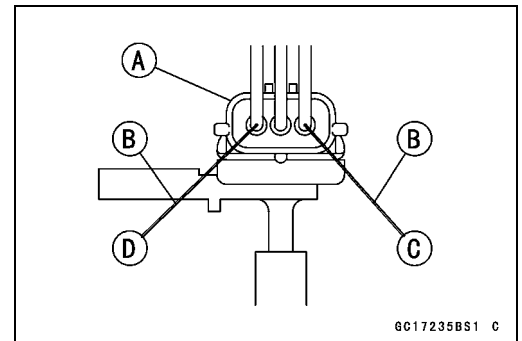
- Meter (+) → W/BL lead [C]
- Meter (-) → BR/BK lead [D]

Output Voltage at Sensor Connector

Usable Range: 3.74 ~ 4.26 V DC at the standard atmospheric pressure (101.32 kPa, or 76 cmHg absolute)

- ★ If the output voltage is out of the usable range, replace the sensor.
- Turn the ignition SW OFF and remove the needle adapters.
- Apply silicone sealant to the seals of the connector for waterproofing.

Silicone Sealant- Kawasaki Bond: 56019-120



3-50 FUEL SYSTEM (DFI)

Inlet Air Pressure Sensor (Service Code 12)

- ★ If the output voltage is normal, check the inlet air pressure sensor output voltage for vacuum other than 76 cmHg (abs) as follows. If the output voltage changes within the usable range as vacuum changes, the sensor is normal and the ECU is suspect. Replace the ECU.
- Remove the fuel tank (see this chapter).
- Remove the inlet air pressure sensor [D] and disconnect the vacuum hose from the sensor.
- Connect an auxiliary hose [E] to the inlet air pressure sensor.
- Temporarily install the inlet air pressure sensor.
- Connect a commercially available digital meter [A], the needle adapters [F], vacuum gauge [B], and the fork oil level gauge [C] to the inlet air pressure sensor.
Front [G]

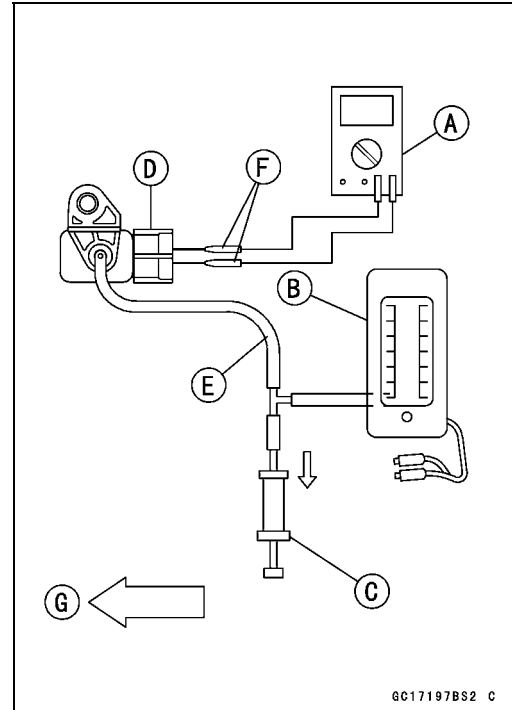
Special Tools - Fork Oil Level Gauge: 57001-1290
Needle Adapter Set: 57001-1457

Digital Volt Meter Connections

Meter (+) → W/BL lead of Inlet Air Pressure Sensor

Meter (-) → BR/BK lead of Inlet Air Pressure Sensor

- Turn the ignition SW ON.
- Measure the inlet air pressure sensor output voltage from various vacuum readings, while pulling the handle of the fork oil level gauge.
- Check the inlet air pressure sensor output voltage, using the following formula and charts for $P_v = 24 \sim 55$ cmHg and $55 \sim 86$ cmHg.



Inlet Air Pressure Sensor (Service Code 12)

Suppose:

Pg : Vacuum (gauge) of Throttle Assy

PI : Local Atmospheric Pressure (absolute) measured by a barometer

Pv : Vacuum (absolute) of Throttle Assy

Vv : Sensor Output Voltage (v)

then

$$Pv = PI - Pg$$

For example, suppose the following data is obtained in the chart of the next page.

Pg = 8 cmHg (vacuum gauge reading)

PI = 70 cmHg (barometer reading)

Vv = 3.2 V (digital volt meter reading)

then

$$Pv = 70 - 8 = 62 \text{ cmHg (abs)}$$

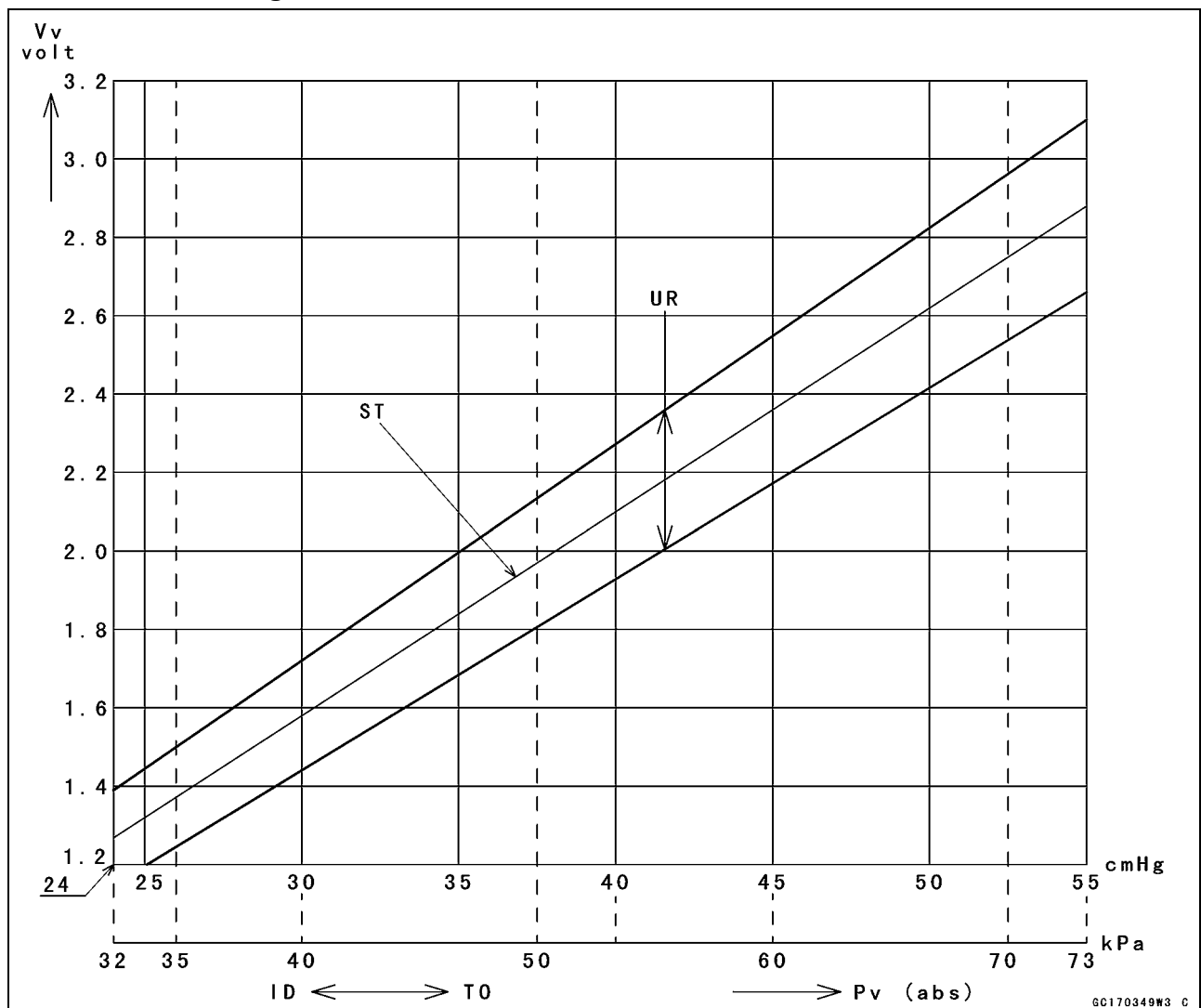
Plot this Pv (62 cmHg) at a point [1] on the chart and draw a vertical line through the point. Then, you can get the usable range [2] of the sensor output voltage.

Usable range = 3.04 ~ 3.49 V

Plot Vv (3.2 V) on the vertical line. → Point [3].

Results: In the chart, Vv is within the usable range and the sensor is normal.

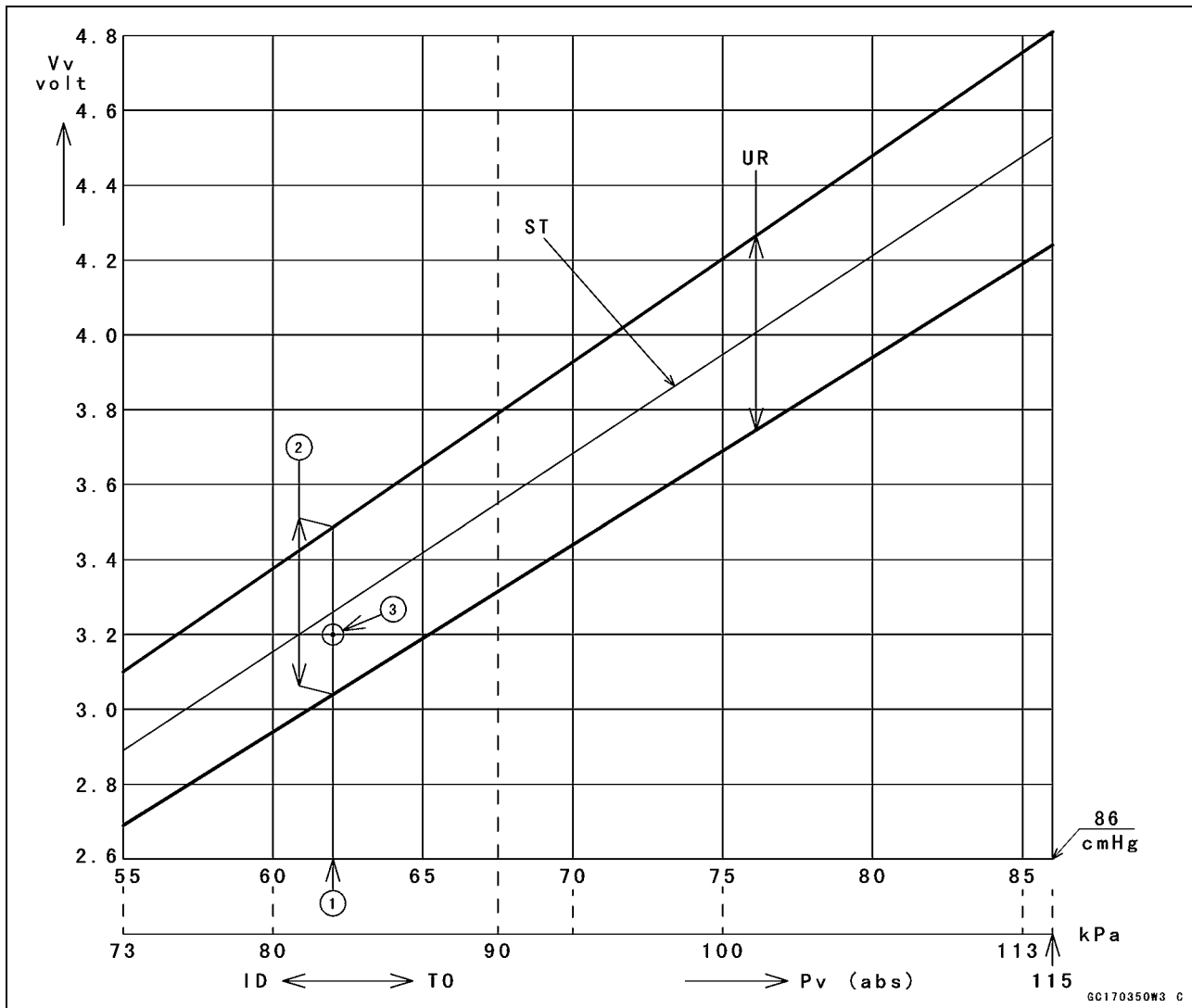
Pv = 24 ~ 55 cm Hg



3-52 FUEL SYSTEM (DFI)

Inlet Air Pressure Sensor (Service Code 12)

Pv = 55 ~ 86 cm Hg



Vv: Inlet Air Pressure Sensor Output Voltage (V) (Digital Meter Reading)

Pv: Throttle Vacuum (absolute)

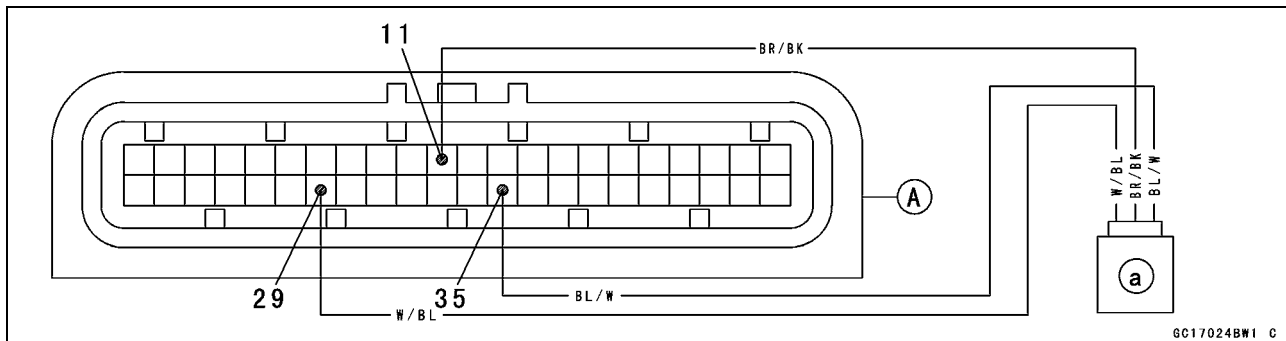
Ps: Standard Atmospheric Pressure (absolute)

ID: Idling

TO: Throttle Full Open

ST: Standard of Sensor Output Voltage (v)

UR: Usable Range of Sensor Output Voltage (v)



A. ECU

a. Inlet Air Pressure Sensor

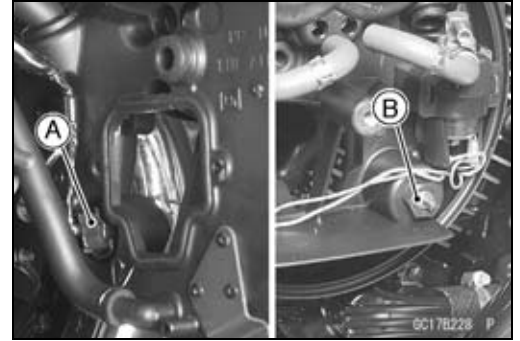
Inlet Air Temperature Sensor (Service Code 13)

Removal/Installation

CAUTION
Never drop the sensor, especially on a hard surface. Such a shock to the sensor can damage it.

- Remove the right air cleaner base (see Right Air Cleaner Housing Removal in this chapter).
- Disconnect the connector [A] from the inlet air temperature sensor, and unscrew the nut [B].
- Remove the inlet air temperature sensor.
- Tighten:

Torque - Inlet Air Temperature Sensor Nut: 7.8 N·m (0.80 kgf·m, 69 in·lb)



Output Voltage Inspection

NOTE

- Be sure the battery is fully charged.
- The output voltage changes according to the inlet air temperature.

- Remove the ECU (see this chapter). Do not disconnect the ECU connectors.
- Connect a digital voltmeter [A] to the ECU connector [B], using two needle adapters [C].

Special Tool - Needle Adapter Set: 57001-1457

- Measure the output voltage of the sensor with the engine stopped and the connector joined.
- Turn the ignition switch ON.

Inlet Air Temperature Sensor Output Voltage

Connections to ECU Connector

Meter (+) → P lead (terminal 31)

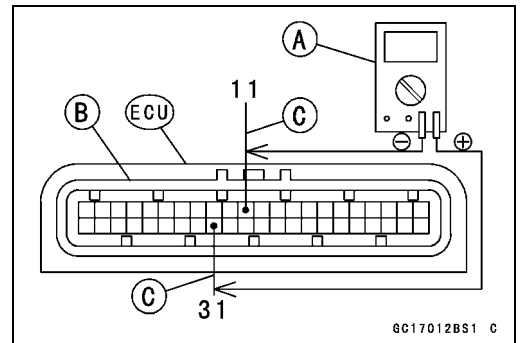
Meter (-) → BR/BK lead (terminal 11)

Output Voltage at ECU

Standard: 2.4 V at inlet air temperature 25°C (77°F)

- Turn the ignition switch OFF.
- ★ If the output voltage is out of the specified, check the ECU for its ground, and power supply (see ECU section in this chapter). If the ground and power supply are good, remove the right air cleaner base, check the wiring between the ECU and the inlet air temperature sensor.
- ★ If the wiring is good, check the sensor resistance.
- Remove the needle adapters, and apply silicone sealant to the seals of the connector for waterproofing.

Silicone Sealant- Kawasaki Bond: 56019-120



3-54 FUEL SYSTEM (DFI)

Inlet Air Temperature Sensor (Service Code 13)

Sensor Resistance Inspection

- Remove the inlet air temperature sensor (see this section).
- Suspend the sensor [A] in a container of machine oil so that the heat-sensitive portion and threaded portion are submerged.
- Suspend a thermometer [B] with the heat-sensitive portion [C] located in almost the same depth with the sensor.

NOTE

- The sensor and thermometer must not touch the container side or bottom.
- Place the container over a source of heat and gradually raise the temperature of the oil while stirring the oil gently for even temperature.
- Using a digital meter, measure the internal resistance of the sensor across the terminals at the temperatures shown in the table.

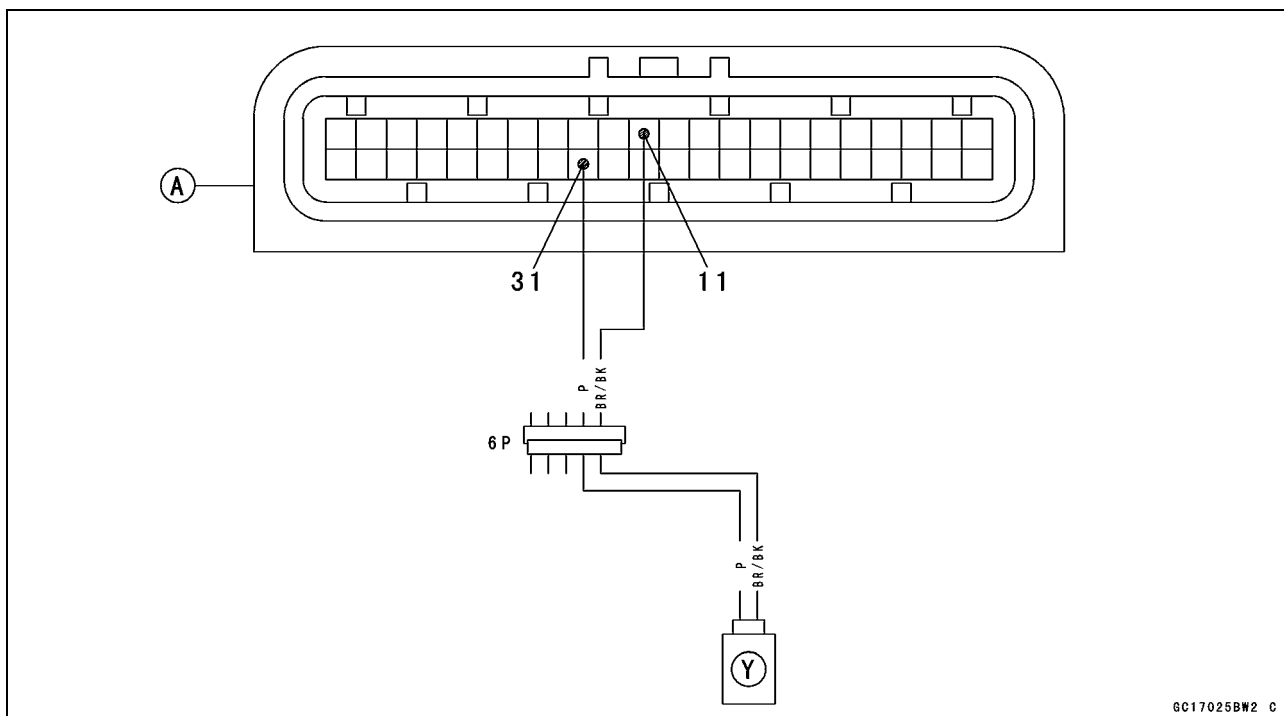
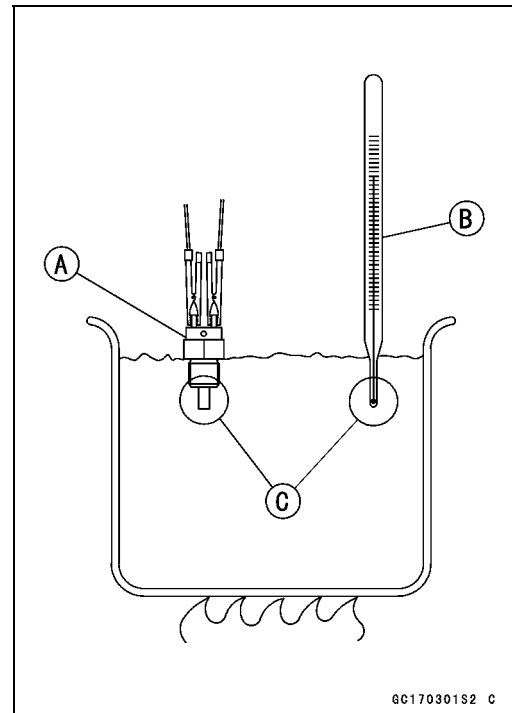
Inlet Air Temperature Sensor Resistance

Standard: 5.4 ~ 6.6 k Ω at 0°C (32°F)

2.26 ~ 2.86 k Ω at 20°C (68°F)

0.29 ~ 0.39 k Ω at 80°C (176°F)

- ★ If the measurement is out of the range, replace the sensor.
- ★ If the measurement is within the specified, check the ECU for its ground and power supply (see ECU section in this chapter).
- Clean off machine oil that inadvertently gets on the sensor, especially on the terminals with a high-flush point solvent.



A. ECU

Y. Inlet Air Temperature Sensor

Water Temperature Sensor (Service Code 14)

Removal/Installation

CAUTION
Never drop the sensor, especially on a hard surface. Such a shock to the sensor can damage it.

- Remove the thermostat housing [A] (see Thermostat Removal in the Cooling System chapter).
- Disconnect the sensor connector, and unscrew the water temperature sensor [B].
Top [C]
- Apply silicone sealant to the thread of water temperature sensor.

Silicone Sealant- Kawasaki Bond: 56019-120

- Tighten:
Torque - Water Temperature Sensor: 18 N·m (1.8 kgf·m, 13 ft·lb)
- Fill the engine with coolant and bleed the air from the cooling system (see Coolant Change in the Periodic Maintenance chapter).

Output Voltage Inspection

NOTE

- Be sure the battery is fully charged.
- The output voltage changes according to the coolant temperature in the engine.

- Remove the ECU (see this chapter). Do not disconnect the connectors.
- Connect a digital voltmeter [A] to the ECU connector [B], using two needle adapters [C].

Special Tool - Needle Adapter Set: 57001-1457

- Measure the output voltage of the sensor with the engine stopped and the connector joined.
- Turn the ignition switch ON.

Water Temperature Sensor Output Voltage Connections to ECU

Meter (+) → O lead (terminal 7)

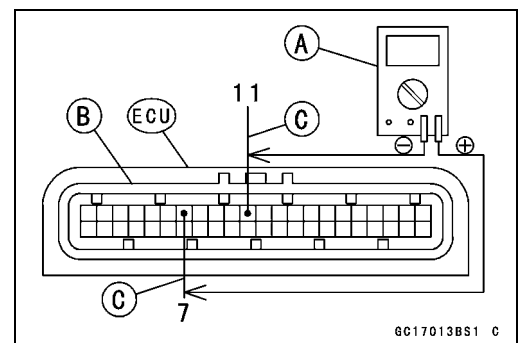
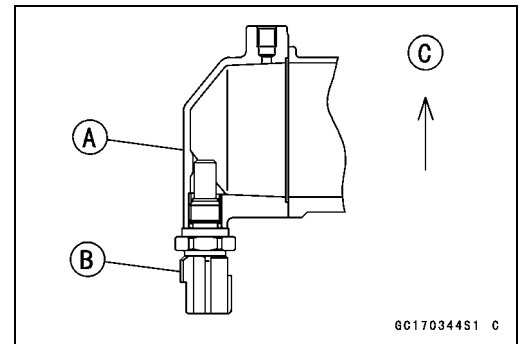
Meter (-) → BR/BK lead (terminal 11)

Output Voltage at ECU

Standard: 3.38 V at coolant temperature 25°C (77°F)

- Turn the ignition switch OFF.
- ★ If the output voltage is out of the specified, check the ECU for its ground, and power supply (see this chapter). If the ground and power supply are good, remove the fuel tank and check the wiring between the ECU and the water temperature sensor for continuity.
- ★ If the wiring is good, check the water temperature sensor resistance.
- Remove the needle adapters, and apply silicone sealant to the seals of the ECU connector for waterproofing.

Silicone Sealant- Kawasaki Bond: 56019-120



3-56 FUEL SYSTEM (DFI)

Water Temperature Sensor (Service Code 14)

Sensor Resistance Inspection

- Remove the water temperature sensor (see this section).
- Suspend the sensor [A] in a container of machine oil so that the heat-sensitive portion and threaded portion are submerged.
- Suspend a thermometer [B] with the heat-sensitive portion [C] located in almost the same depth with the sensor.

NOTE

- The sensor and thermometer must not touch the container side or bottom.
- Place the container over a source of heat and gradually raise the temperature of the oil while stirring the oil gently for even temperature.
- Using a digital meter, measure the internal resistance of the sensor across the terminals at the temperatures shown in the table.

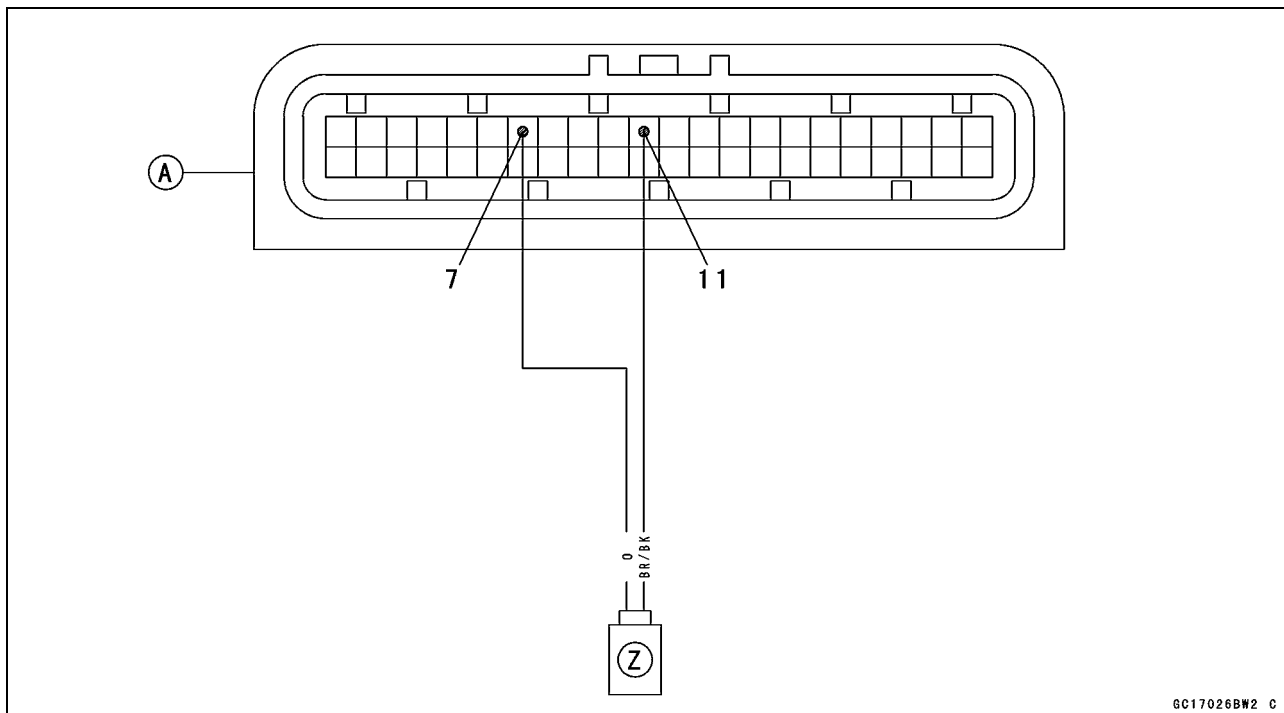
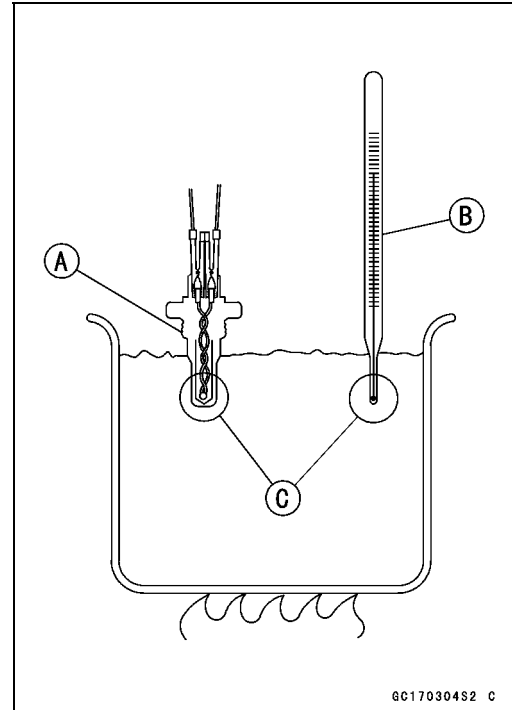
Water Temperature Sensor Resistance

Standard: 2.162 ~ 3.112 kΩ at 20°C (68°F)

0.785 ~ 1.049 kΩ at 50°C (122°F)

0.207 ~ 0.253 kΩ at 100°C (212°F)

- ★ If the measurement is out of the range, replace the sensor.
- ★ If the measurement is within the specified, the ECU is suspect. Replace the ECU.
- Clean off machine oil that inadvertently gets on the sensor, especially on the terminals with a high-flush point solvent.



A. ECU

Z. Water Temperature Sensor

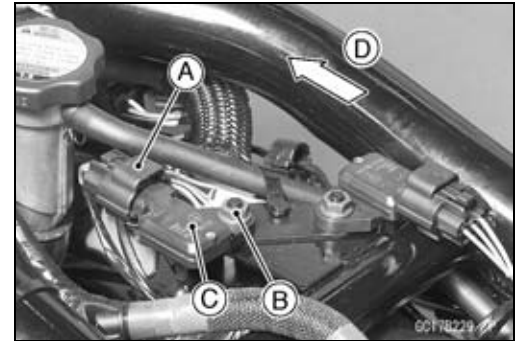
Atmospheric Pressure Sensor (Service Code 15)

Removal

CAUTION

Never drop the sensor, especially on a hard surface. Such a shock to the sensor can damage it.

- Remove the fuel tank (see Fuel Tank section in this chapter).
- Disconnect the atmospheric pressure sensor connector [A].
- Remove the sensor nut [B].
- Remove the atmospheric pressure sensor [C].
- Front [D]

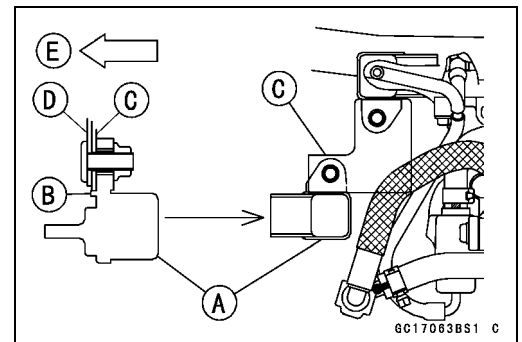


Installation

NOTE

○The atmospheric pressure sensor is the same part as the inlet air pressure sensor except that the inlet air pressure sensor has a vacuum hose and different wiring.

- Install the atmospheric pressure sensor [A].
- The stopper [B] must not be on the sensor holder [C].
- Frame Bracket [D]
- Front [E]
- Tighten the atmospheric pressure sensor nut.
- Install the fuel tank (see this chapter).



Input Voltage Inspection

NOTE

○Be sure the battery is fully charged.

○The inspection is the same as "Input Voltage Inspection" of the throttle sensor or the inlet air pressure sensor.

- Turn the ignition switch OFF.
- Remove the ECU (see this chapter). Do not disconnect the ECU connectors.
- Connect a digital voltmeter [A] to the connector [B], using two needle adapters [C].

Special Tool - Needle Adapter Set : 57001-1457

○Measure the input voltage to the sensor with the engine stopped, and with the connectors joined.

- Turn the ignition SW ON.

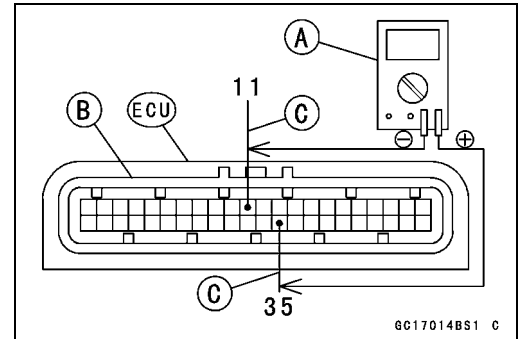
Atmospheric Pressure Sensor Input Voltage Connections to ECU

- Meter (+) → BL/W lead (terminal 35)
- Meter (-) → BR/BK lead (terminal 11)

Input Voltage at ECU

Standard: 4.75 ~ 5.25 V DC

- Turn the ignition SW OFF.
- ★If the reading of input voltage is less than the standard range, check the ECU for its ground, and power supply (see ECU section in this chapter). If the ground and power supply are good, replace the ECU.



3-58 FUEL SYSTEM (DFI)

Atmospheric Pressure Sensor (Service Code 15)

- ★ If the reading is within the standard range, check the wiring between the ECU and the atmospheric pressure sensor for continuity.
- ★ If the wiring is good, check the output voltage.
- Remove the needle adapters.
- Apply silicone sealant to the seals of the ECU connector for waterproofing.

Silicone Sealant- Kawasaki Bond: 56019-120

Output Voltage Inspection

NOTE

- The output voltage changes according to the local atmospheric pressure.
 - The atmospheric sensor output voltage is based on a nearly perfect vacuum in the small chamber of the sensor. So, the sensor indicates absolute atmospheric pressure.
- ★ Check the output voltage of the sensor at the sensor connector [A] with the fuel tank removed (front view).
Needle Adapters [B]
 - Measure the output voltage with the engine stopped and the connector joined.
 - Turn the ignition switch ON.

Atmospheric Pressure Sensor Output Voltage Connections to Sensor (rear view)

Meter (+) → BL/Y lead [C]

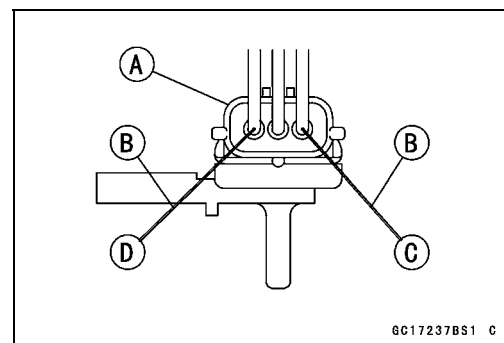
Meter (-) → BR/BK lead [D]

Output Voltage at Sensor

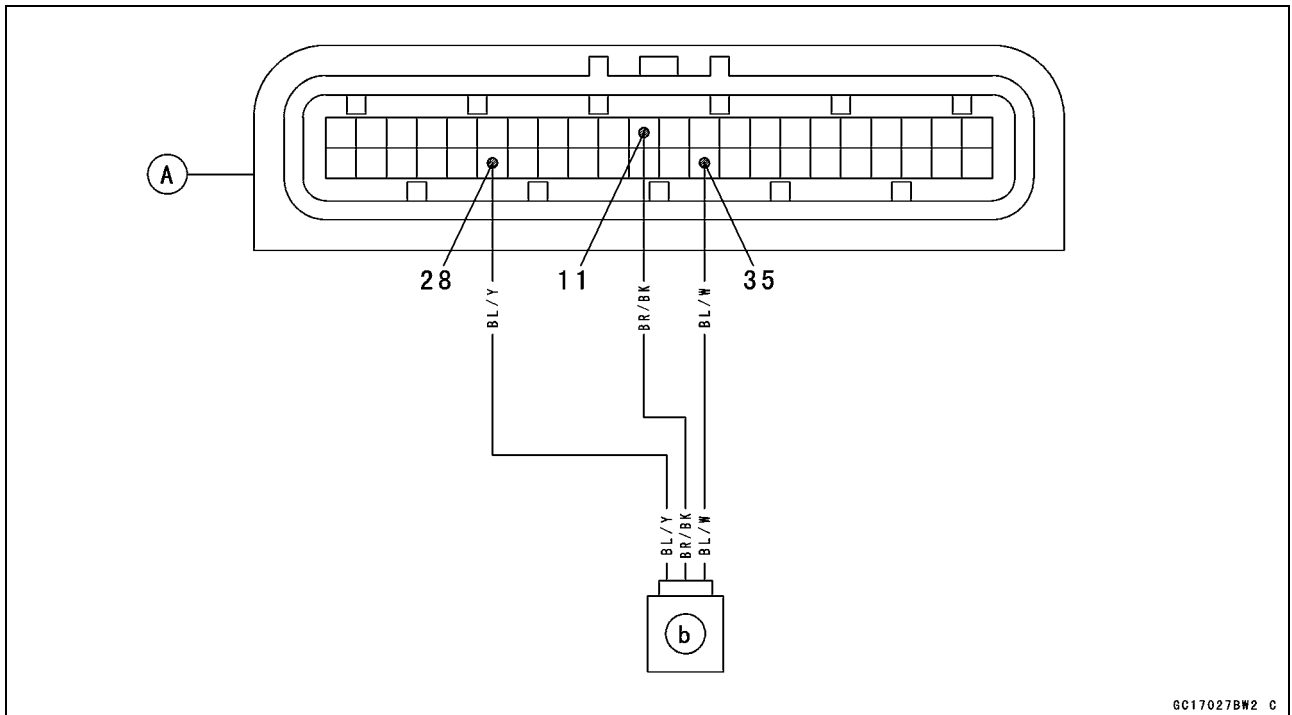
Usable Range: 3.74 ~ 4.26 V DC at the standard atmospheric pressure (101.32 kPa, or 76 cmHg abs)

- ★ If the output voltage is normal, check the output voltage for vacuum other than 76 cmHg (abs) (see Inlet Air Pressure Sensor section in this chapter). If the output voltage changes within the usable range as vacuum changes, the sensor is normal and the ECU is suspect. Check the ECU for its ground and power supply.
- ★ If the output voltage is out of the usable range, replace the sensor.
- Turn the ignition switch OFF and remove the needle adapters.
- Apply silicone sealant the seals of the connector for waterproofing.

Silicone Sealant- Kawasaki Bond: 56019-120



Atmospheric Pressure Sensor (Service Code 15)



A. ECU

b. Atmospheric Pressure Sensor

- ★ If you need to check the atmospheric pressure sensor for various altitudes other than sea level, check the output voltage as follows:
 - Determine the local altitude (elevation).
- ★ If you know the local atmospheric pressure using a barometer, substitute the atmospheric pressure for Pv (Throttle Vacuum) in the inlet air pressure sensor chart (see Inlet Air Pressure Sensor section in this chapter).
 - Get the usable range of the atmospheric pressure sensor output voltage in the same way as Output Voltage Inspection of the inlet air pressure sensor and check if Va (output voltage) is within the usable range or not.
- ★ If you know the local altitude, use the following chart.

For example:

Suppose the local altitude is 1 300 m (4 200 ft) and the sensor output voltage Va is 3.3 V.

Plot this H (1 300 m) at a point [1] on the following chart and draw a vertical line through the point. Then, you can get the usable range [2] of the sensor output voltage.

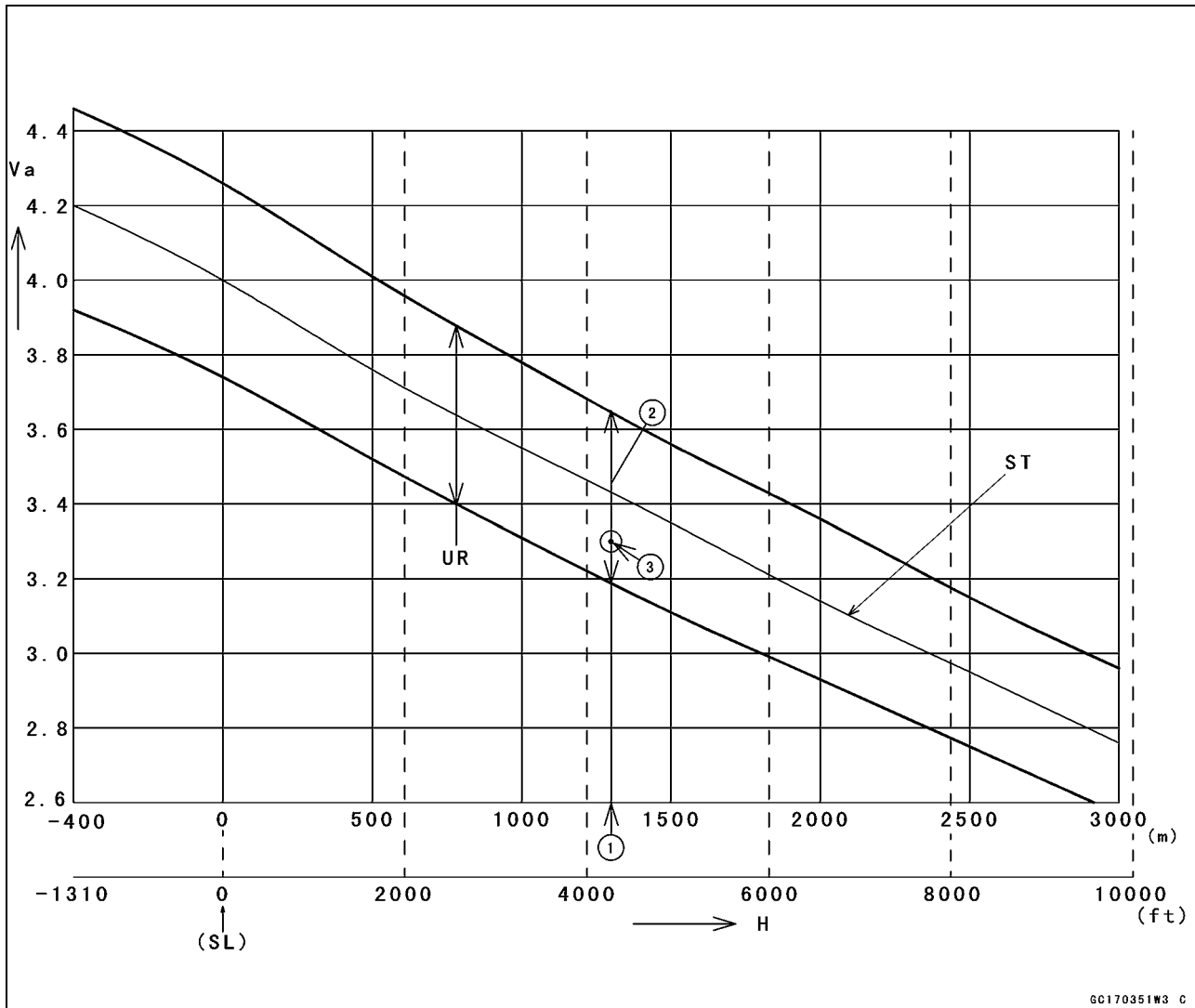
Usable Range = 3.2 ~ 3.64 V

Plot Va (3.3 V) on the vertical line → Point [3]

Results: In the chart, Va is within the usable range and the sensor is normal.

3-60 FUEL SYSTEM (DFI)

Atmospheric Pressure Sensor (Service Code 15)



GC170351W3 C

- Va: Atmospheric Pressure Sensor Output Voltage (v)
- H: Altitude (m or feet)
- SL: Sea Level (0 m)
- ST: Standard of Sensor Output Voltage (v)
- UR: Usable Range of Sensor Output Voltage (v)

Crankshaft Sensors (#1, #2: Service Code 21, 22)

Crankshaft Sensor #1: for Front Cylinder (Service Code 21)

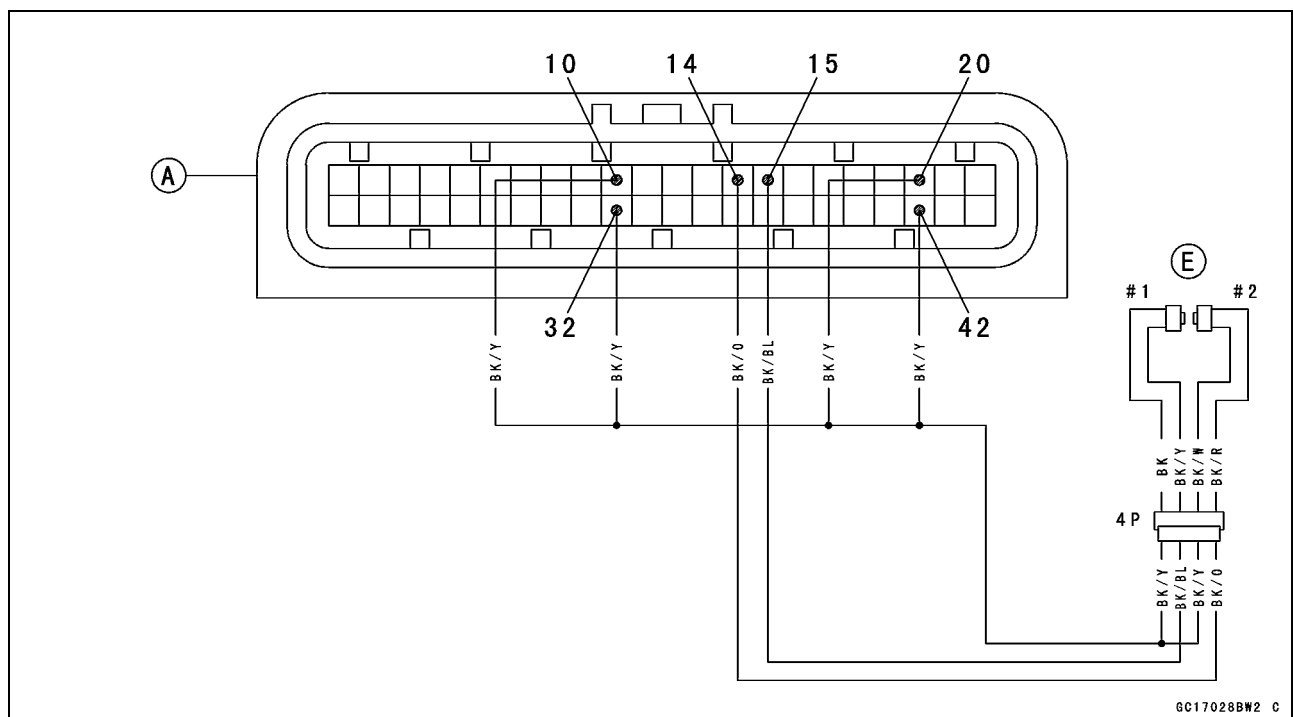
Crankshaft Sensor #2: for Rear Cylinder (Service Code 22)

Crankshaft Sensor Removal/Installation

- Refer to the Ignition System section in the Electrical System chapter.

Crankshaft Sensor Inspection

- The crankshaft sensors have no power source, and when the engine stops, the crankshaft sensors generates no signals.
- Remove the alternator outer cover and check the wiring for continuity, using the following diagram.
- Crank the engine and measure the peak voltage of the crankshaft sensors (see Electrical System chapter) in order to check the sensors.



A. ECU

E. Crankshaft Sensors

3-62 FUEL SYSTEM (DFI)

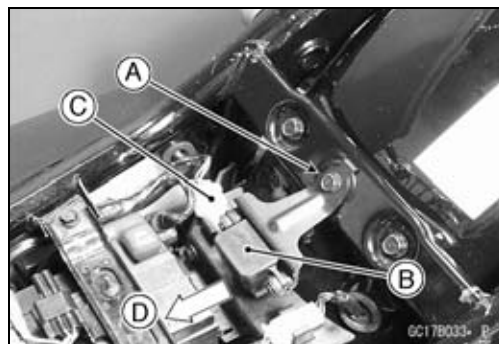
Vehicle-down Sensor (Service Code 31)

Removal

CAUTION

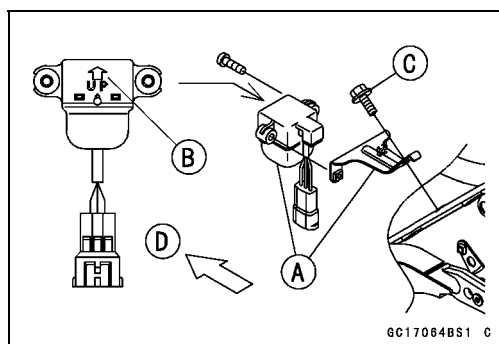
Never drop the down-sensor, especially on a hard surface. Such a shock to the sensor can damage it.

- Remove the seat (see Frame chapter).
- Remove the bolt [A] and take out the vehicle-down sensor [B].
- Raise the connector lock, and disconnect the connector [C] to complete sensor removal.
Front [D]



Installation

- Install the vehicle-down sensor assy [A] in the original position. The arrow mark [B] on the sensor must be on the front and point upward.
- Do not install the sensor upside down.
- Tighten the sensor bracket bolt [C] securely.
Front [D]
- Install the seat (see Frame chapter).



WARNING

Incorrect installation of the vehicle-down sensor could cause sudden loss of engine power. The rider could lose balance during certain riding situations, like leaning over in a turn, with the potential for an accident resulting in injury or death. Ensure that the down sensor is held in place by the bracket and its bolt as shown.

Inspection

NOTE

○Be sure the battery is fully charged.

- Take out the vehicle-down sensor [A] (see this section). Do not disconnect the connector [B].
- Connect a digital volt meter [C] to the connector (natural, 3P), using two needle adapters [D].

Special Tool - Needle Adapter Set: 57001-1457

- Turn the ignition switch ON, and measure the power source voltage with the connector joined.

Vehicle-down Sensor Power Source Voltage

Connections to Sensor

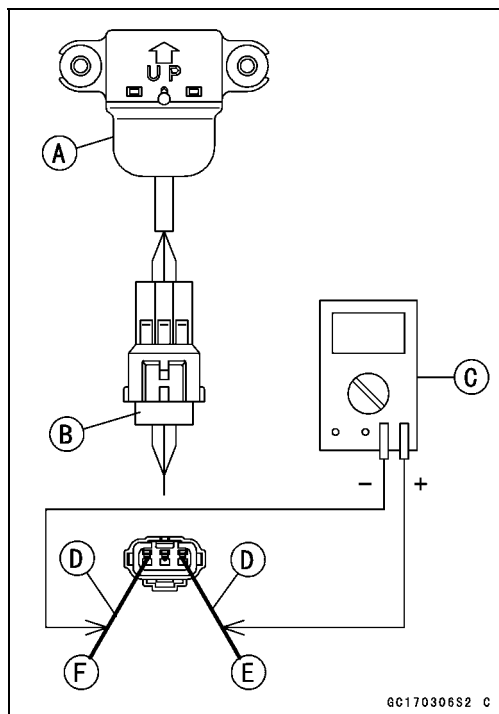
Meter (+) → BR lead [E]

Meter (-) → BK/Y lead [F]

Power Source Voltage at Sensor

Standard: Battery Voltage (12.5 V or more)

- Turn the ignition switch OFF.
- ★ If there is no battery voltage, check the DFI power source circuit (see DFI Power Source Section in this chapter).



Vehicle-down Sensor (Service Code 31)

- ★ If the power source is normal, check the output voltage of the sensor.
- Connect a digital volt meter [A] to the connector (natural, 3P), using two needle adapters [B].
- Turn the ignition switch ON, and measure the output voltage with the connector joined.
- Tilt the sensor (40 ~ 50°) or more [C] right or left, then hold the sensor almost vertical [D] with the arrow mark pointed up, and measure the output voltage.

Vehicle-down Sensor Output Voltage

Connections to Sensor

Meter (+) → Y/G lead [E]

Meter (-) → BK/Y lead [F]

Output Voltage at Sensor

Standard: with sensor tilted 40 ~ 50° or more right or left: 3.7 ~ 4.4 V
 with sensor arrow mark pointed up: 0.4 ~ 1.4 V

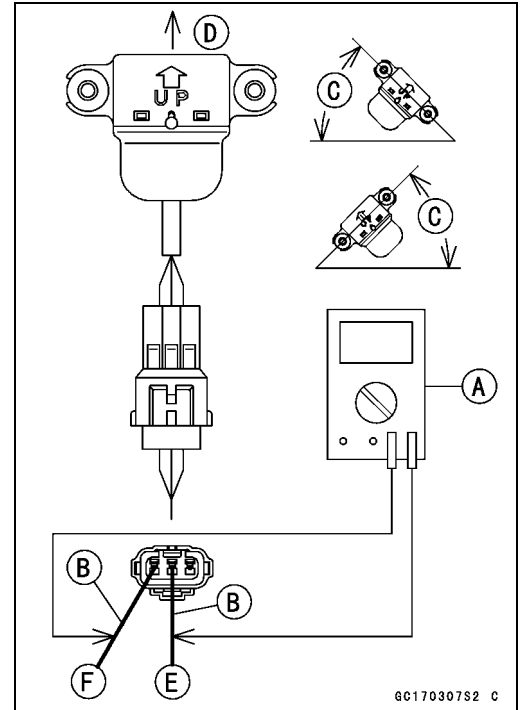
NOTE

○ If you need to test again, turn the ignition switch OFF, and then ON.

- Turn the ignition switch OFF.
- Remove the needle adapters, and apply silicone sealant to the seals of the vehicle-down sensor connector for waterproofing.

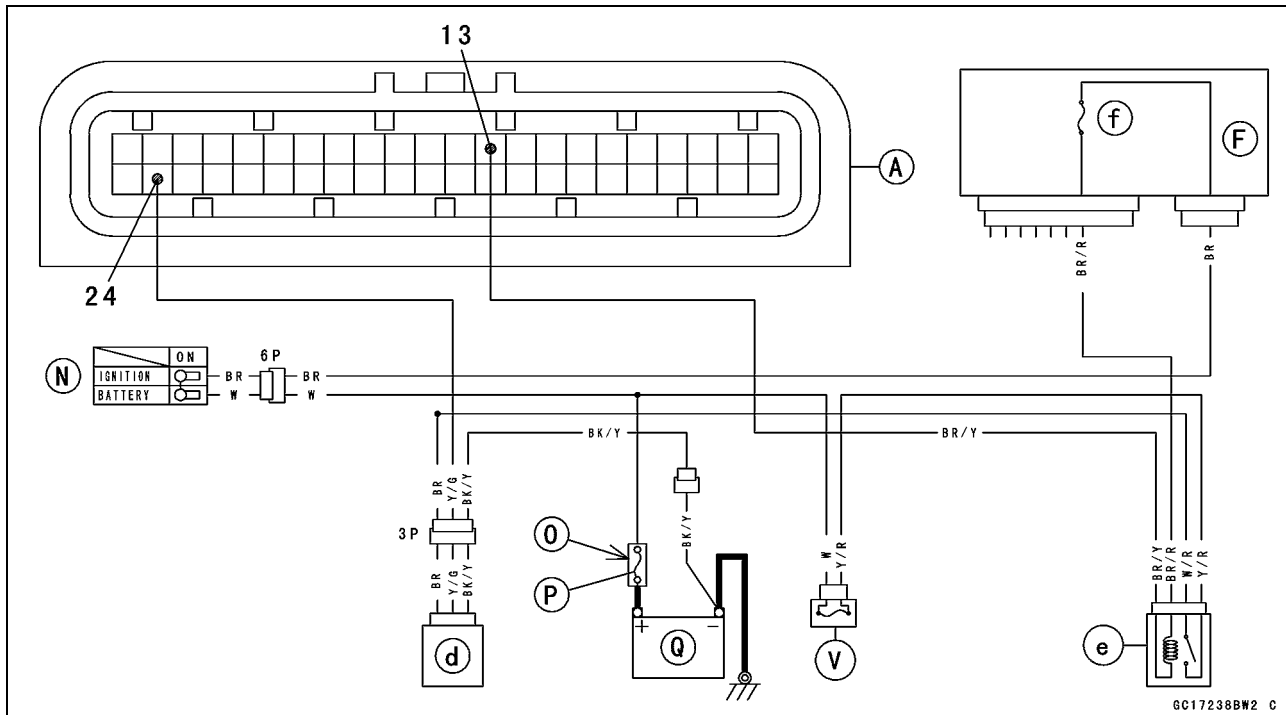
Silicone Sealant- Kawasaki Bond: 56019-120

- ★ If the output voltage is out of the specified, replace the vehicle-down sensor.
- ★ If the output voltage is normal, the wiring is suspect. Check the wiring.
- ★ If the wiring is good, check the ECU for its ground and power supply (see ECU section in this chapter). If the ground and power supply of the ECU are good, the ECU is suspect. Replace the ECU.



3-64 FUEL SYSTEM (DFI)

Vehicle-down Sensor (Service Code 31)



- A. ECU
- d. Vehicle-down Sensor
- F. Junction Box
- e. DFIs Main Relay
- N. Ignition Switch
- O. Starter Relay
- P. Main Fuse 30 A
- Q. Sealed Battery
- f. Ignition Fuse 10 A
- V. DFIs Fuse 15 A

Fuel Injectors (#1, #2: Service Code 41, 42)

Fuel Injector #1: Front Fuel Injector for Front Cylinder (Service Code 41)

Fuel Injector #2: Rear Fuel Injector for Rear Cylinder (Service Code 42)

CAUTION

Never drop the injector, especially on a hard surface. Such a shock to the injector can damage it.

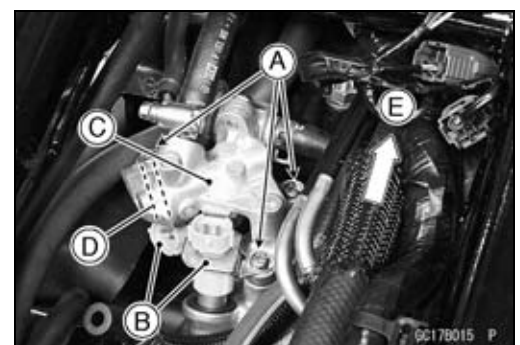
Injector Removal

⚠ WARNING

Gasoline is extremely flammable and can be explosive under certain conditions. Turn the ignition switch OFF. Disconnect the battery (-) lead terminal. Do not smoke. Make sure the area is well-ventilated and free from any source of flame or sparks; this includes any appliance with a pilot light.

Be prepared for fuel spillage; any spilled fuel must be completely wiped up immediately.

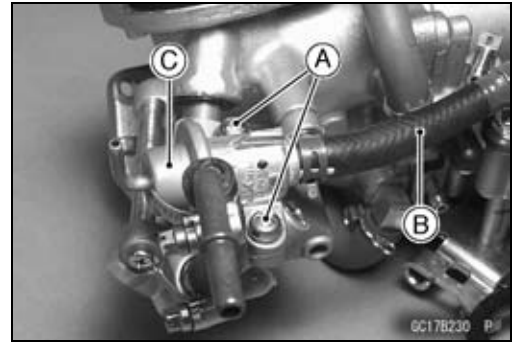
- Check to see that the battery (-) lead terminal is disconnected.
- Remove:
 - Fuel Tank (see this chapter)
- Remove the fuel hose joint #2 [A] from the pipe for the delivery joint and take out the fuel hose assy (outlet hose) [B].
- Disconnect:
 - Front and Rear Injector Connectors [C]
 - Vacuum Hose [D] from pressure regulator
 - Front [E]
- Unscrew the three screws [A], and lift up the delivery joint [C] with the injectors [B], and the screw collar [D] left installed.
- Front [E]
- Remove the injectors from the delivery joint.



3-66 FUEL SYSTEM (DFI)

Fuel Injectors (#1, #2: Service Code 41, 42)

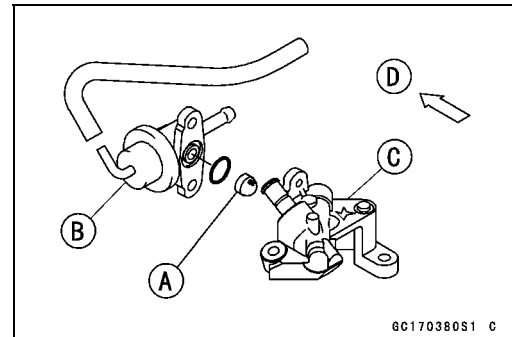
- If necessary, remove the screws [A] and the fuel hose [B], and then take off the pressure regulator [C].



- The screen [A] comes off from the pressure regulator [B].
Delivery Joint [C]
Front [D]
- Clean the screen with a high-flash point solvent to remove any particles.

⚠ WARNING

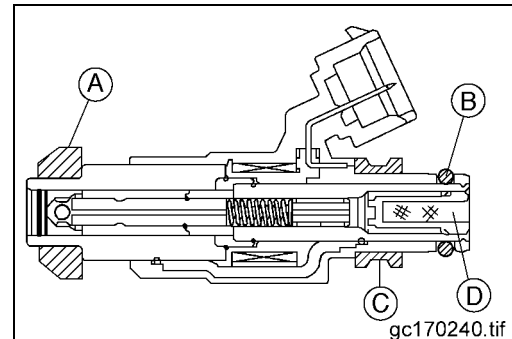
Clean the screen in a well-ventilated area, and take care that there is no spark or flame anywhere near the working area. Because of the danger of highly flammable liquids, do not use gasoline or low-flash point solvents.



- Check the screen carefully for any damage: holes and broken wires.
- ★ If the screen is damaged, replace it.
- Remove the seal [A], O-ring [B], and seal ring [C]. Discard them to prevent fuel and air leakage.
- The screen [D] cannot be removed.
- Tape the injector holes of the inlet manifold.

CAUTION

If dirt gets into the injector, injector clogging, excessive engine wear and possibly engine damage will occur.

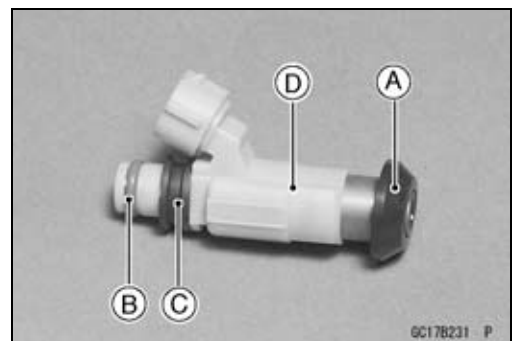


Injector Installation

- The front and rear injectors are the same.
- Replace the seal [A], O-ring [B], and seal ring [C] with new ones, and install them onto the injector [D].
- Apply engine oil to the O-ring, and install them onto the injector.

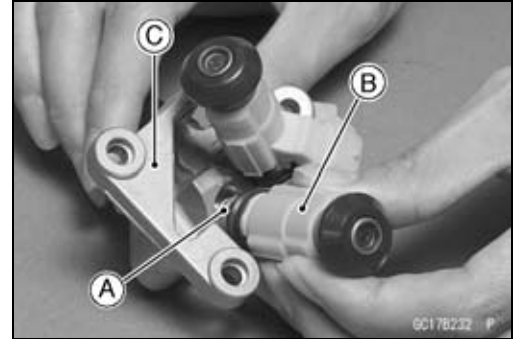
CAUTION

To avoid air and fuel leak, be careful not to get dirt or dust on the O-ring. Be careful not to damage the O-ring.

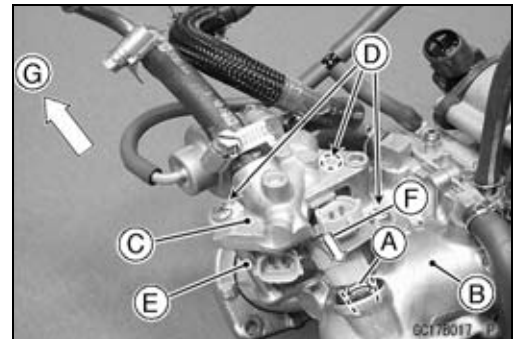


Fuel Injectors (#1, #2: Service Code 41, 42)

- Apply engine oil to the O-ring [A], and install each injector [B] into the delivery joint [C].



- Check that there is no dirt or dust on the injector seating surface [A] of the inlet manifold [B].
- Check that the two dowel pins are in place in the inlet manifold.
- Fit the end of the injector into the delivery joint [C], and install them along with the joint screws [D], and the screw collar [E] onto the inlet manifold.
- Fit [F] the tip of the injector evenly into the inlet manifold. Front [G]
- Tighten:



Torque - Delivery Joint Screws: 3.4 N·m (0.35 kgf·m, 30 in·lb)

Pressure Regulator Screws: 4.9 N·m (0.50 kgf·m, 43 in·lb)

3-68 FUEL SYSTEM (DFI)

Fuel Injectors (#1, #2: Service Code 41, 42)

- Check the injector fuel line for leakage as follows:
- Connect a commercially available vacuum/pressure pump [C] and a rubber hose [I] to the fuel hose [B] of the delivery joint [A] as shown.
- Plug the outlet of the pressure regulator [G] with a rubber plug [J] (e.g. Plug: Part No. 92068-006).
- Bind the plug with a wire [K].
- Apply a soap and water solution to the areas [D] shown.
- Watching the pressure gauge, squeeze the pump lever [E], and build up the pressure until the pressure reaches the maximum pressure.

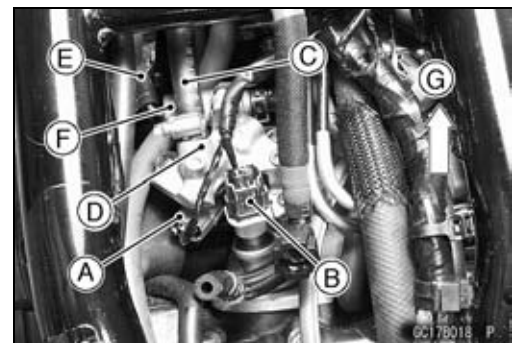
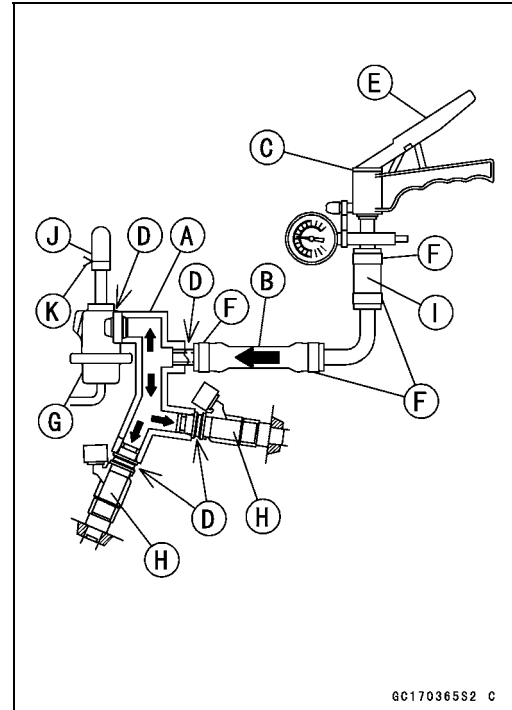
Fuel Line Maximum Pressure

Standard: 310 kPa (3.2 kgf/cm², 46 psi)

CAUTION

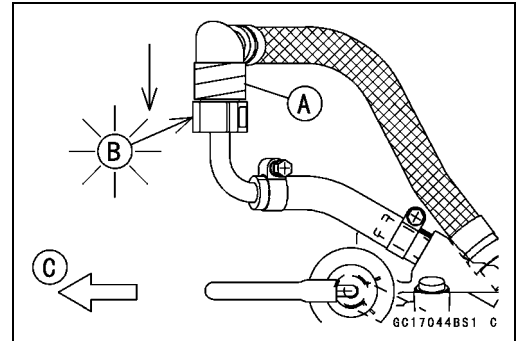
During pressure testing, do not exceed the maximum pressure for which the system is designed.

- Watch the gauge for at least 6 seconds.
- ★ If the pressure holds steady, the system is good.
- ★ If the pressure drops at once, or if bubbles are found in the area, the line is leaking. Perform the following as necessary.
- Retighten the fuel hose clamps [F].
Torque - Fuel Hose Clamp Screws: 1.5 N·m (0.15 kgf·m, 13 in·lb)
- Replace:
 - O-ring of Pressure Regulator Flange
 - O-ring, and Seal Ring of Injectors [H]
 - Pressure Regulator, Delivery Joint, and Injectors
- Repeat the leak test, and check the fuel line for no leakage.
- Connect:
 - Front Injector Connector [A] (BL/R, W/R leads)
 - Rear Injector Connector [B] (BL/G, W/R leads)
 - Fuel Hose [C] to Delivery Joint [D]
 - Vacuum Hose [E] to Pressure Regulator [F]
 - Front [G]
- Run the hoses correctly (see Cable, Wire, and Hose Routing section in the Appendix chapter).
- Tighten:
Torque - Fuel Hose Clamp Screws: 1.5 N·m (0.15 kgf·m, 13 in·lb)



Fuel Injectors (#1, #2: Service Code 41, 42)

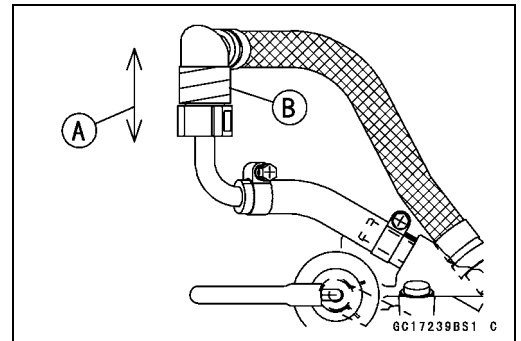
- Fit the fuel hose joint #2 [A] onto the pipe (for delivery joint) until the joint clicks [B].
- Insert the hose joint #2 straight along the pipe.
Front [C]



- Push and pull [A] the fuel hose joint #2 [B] back and forth more than two times and make sure it is locked and doesn't come off. When the fuel hose joint #2 is correctly installed, it should slide on the delivery pipe about 5 mm (0.2 in.).

⚠ WARNING

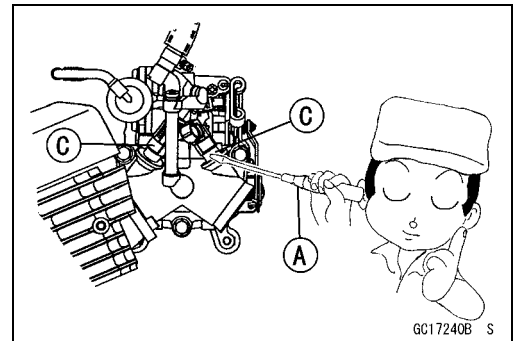
Make sure the fuel hose joint is installed correctly on the delivery pipe by sliding the joint, or the fuel could leak.



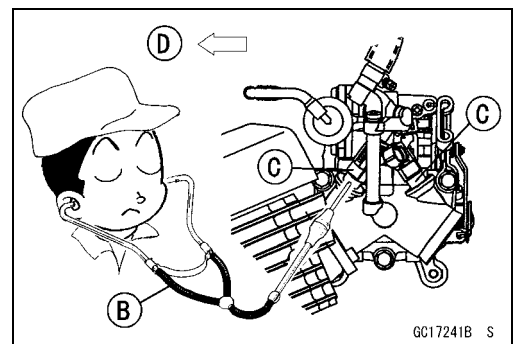
- Install the fuel tank (see this chapter) and connect the battery (-) terminal.

Audible Inspection

- Remove the left air cleaner housing (see this chapter).
- Start the engine.
- Apply the tip of a screwdriver [A] to the injector [C]. Put the grip end onto your ear, and listen whether the injector is clicking or not.
- A sound scope [B] can also be used.
- Do the same for the other injector.
Front [D]



- ★ If all the injectors click at a regular intervals, the injectors are good. The trouble may be related to the fuel line, requiring fuel pressure inspection (see Fuel Line section in this chapter).
- The click interval becomes shorter as the engine speed rises.
- ★ If either injector doesn't click, the DFI circuit or the injector is suspect. Perform "Power Source Voltage Inspection", first.



3-70 FUEL SYSTEM (DFI)

Fuel Injectors (#1, #2: Service Code 41, 42)

Power Source Voltage Inspection

NOTE

○Be sure the battery is fully charged.

- Turn the ignition switch OFF.
- Remove the coolant reserve tank (see Cooling System chapter).
- Connect a digital voltmeter [B] to the DFI main relay connector [A], using the needle adapter.

Battery [C] in the frame

Special Tool - Needle Adapter Set: 57001-1457

- Measure the power source voltage of the injector with the engine stopped, and with the connectors joined.
- Turn the ignition switch ON.

Injector Power Source Voltage at DFI Main Relay Connections

Meter (+) → W/R Lead Terminal [D]

Meter (-) → Battery (-) Terminal

Power Source Voltage at DFI Main Relay

Standard: Battery Voltage (12.5 V or more)

- ★ If the power source voltage is incorrect, check the DFI power source (see DFI Power Source in this chapter). If the DFI power source is good, check the ECU for its ground and power supply. If the ground and power supply of the ECU are good, the ECU is suspect. Replace the ECU.
- ★ If the power source voltage is normal, check the output voltage of the injector.

Output Voltage Inspection

- Remove the ECU (see ECU section in this chapter). Do not disconnect the ECU connector.
- Measure the output voltage of the injector at the ECU connector in the same way as power source voltage inspection. Note the following.

Injector Output Voltage at ECU

Connections for Injector #1

Meter (+) → BL/R lead (terminal 40)

Meter (-) → Battery (-) Terminal

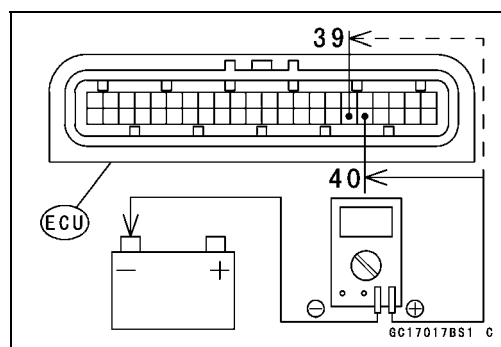
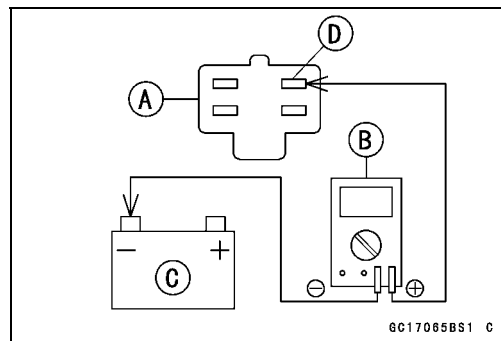
Connections for Injector #2

Meter (+) → BL/G lead (terminal 39)

Meter (-) → Battery (-) Terminal

Output Voltage at ECU

Standard: Battery Voltage (12.5 V or more)



Fuel Injectors (#1, #2: Service Code 41, 42)

- ★ If the output voltage is normal, perform “Injector Signal Test”.
- ★ If the output voltage is out of the standard, turn the ignition SW OFF, remove the fuel tank, and check the injector wiring for continuity.

Injector Wiring Inspection

ECU Connector	Injector Connectors
Terminal 30	→ Injector #1 Terminal (W/R)
Terminal 30	→ Injector #2 Terminal (W/R)
Terminal 40	→ Injector #1 Terminal (BL/R)
Terminal 39	→ Injector #2 Terminal (BL/G)

- ★ If the wiring is good, inspect the resistance of the injectors (see Injector Resistance Inspection in this chapter).
- Remove the needle adapter.
- Apply silicone sealant to the seals of the ECU connector for waterproofing.

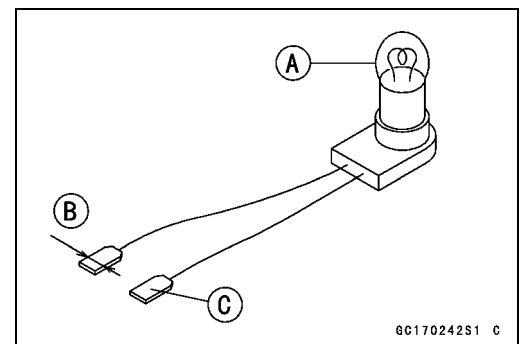
Injector Signal Test

- Prepare two test light sets with male terminals as shown.
 Rating of Bulb [A]: 12 V × 3 ~ 3.4 W
 Terminal Width [B]: 1.8 mm (0.07 in.)
 Terminal Thickness [C]: 0.8 mm (0.013 in.)

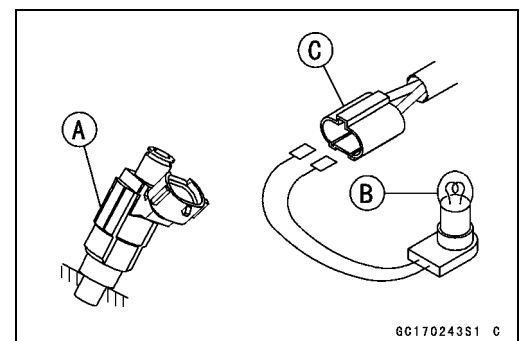
CAUTION

Do not use larger terminals than specified above. A larger terminal could damage the injector main harness connector (female), leading to harness repair or replacement.

Be sure to connect bulbs in series. The bulb works as a current limiter to protect the solenoid in the injector from excessive current.



- Remove the fuel tank (see this chapter).
- Plug the fuel hose ends.
- Remove connectors for injector [A].
- Connect each test light set [B] to the injector main harness connector [C].
- Connect the battery (-) lead terminal.
- While cranking the engine with the starter motor, watch the test lights.
- ★ If the test lights flicker at regular intervals, the injector circuit in the ECU, and the wiring are good. Perform the “Injector Resistance Inspection”.



○ Injector signals can be also confirmed by connecting the hand tester (× 10 V AC) instead of the test light set to the injector main harness (female) connector. Crank the engine with the starter motor, and check to see if the needle oscillates at regular intervals.

Special Tool - Hand Tester: 57001-1394

- ★ If the test light doesn't flicker (or the tester needle doesn't oscillates), check the wiring and connectors again. If the wiring is good, the ECU is suspect. Replace the ECU.

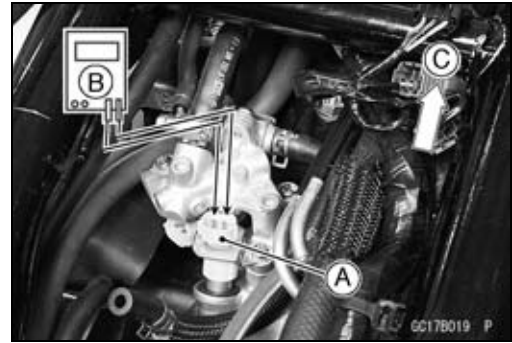
3-72 FUEL SYSTEM (DFI)

Fuel Injectors (#1, #2: Service Code 41, 42)

Injector Resistance Inspection

- Remove the fuel tank (see this chapter).
- Disconnect the connector from the injector [A] (see Injector Removal).
- Measure the injector resistance with a digital voltmeter [B].

Front [C]



Injector Resistance

Connections to Injector

- | Meter (+) | Meter (-) |
|-----------|---------------|
| #1: W/R ↔ | BL/R Terminal |
| #2: W/R ↔ | BL/G Terminal |

Standard: 14.2 ~ 14.8 Ω at 20°C (68°F)

- ★ If the reading is out of the range, perform the “Injector Unit Test”.
- ★ If the reading is normal, perform the “Injector Unit Test” for confirmation.

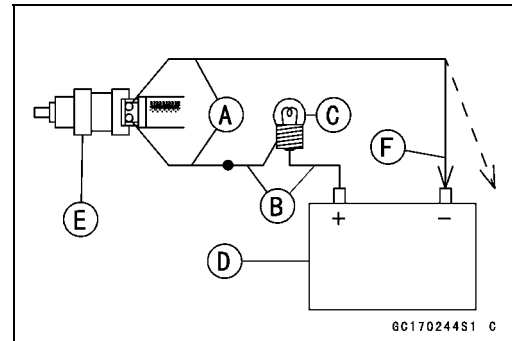
Injector Unit Test

- Use two wires [A] and the same test light set [B] as in “Injector Signal Test”.
- Rating of Bulb [C]: 12 V × (3 ~ 3.4) W
- 12 V Sealed Battery [D]

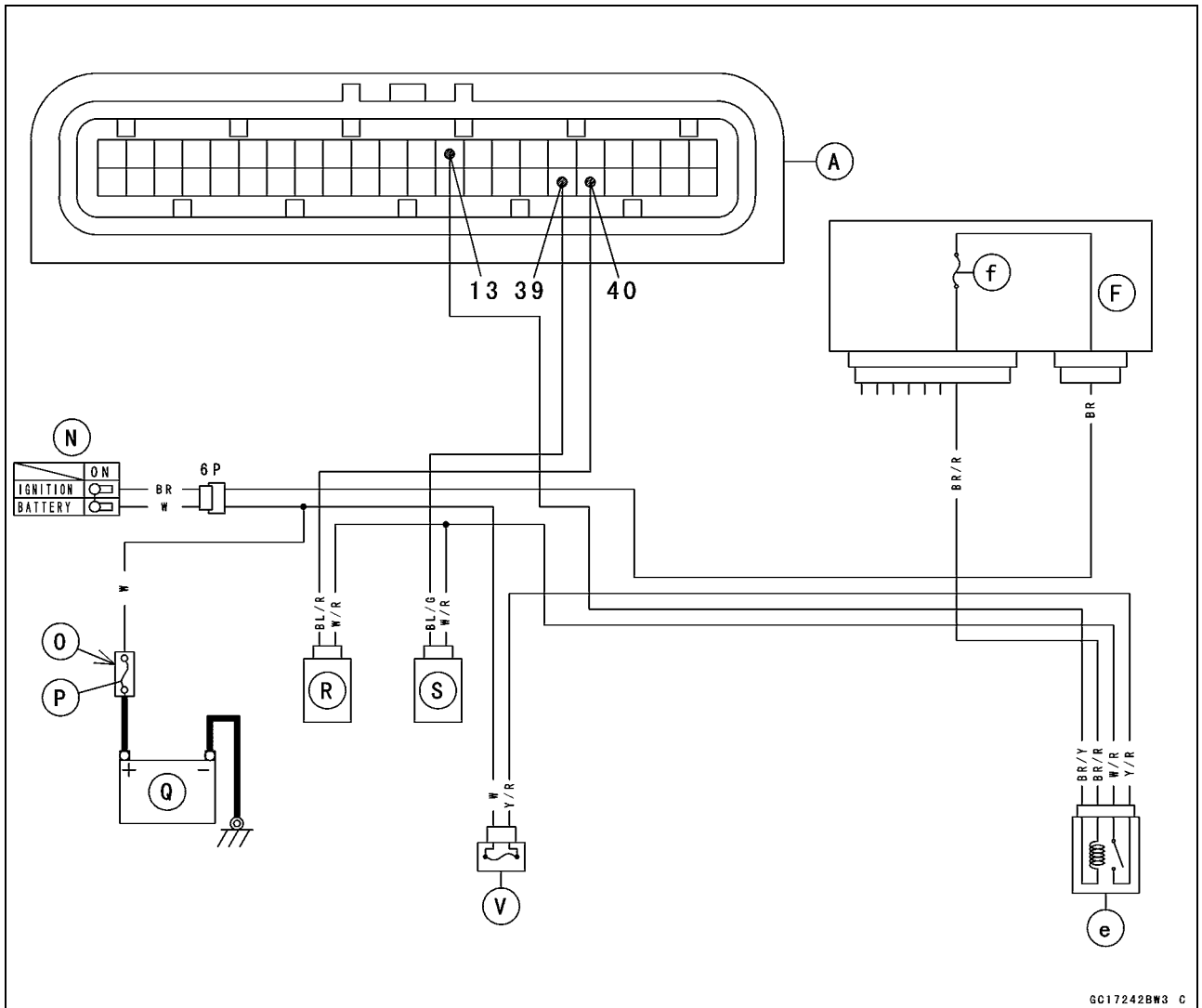
CAUTION

Be sure to connect the bulb in series. The bulb works as a current limiter to protect the solenoid in the injector from excessive current.

- Connect the test light set to the injector [E] as shown.
- Open and connect [F] the end of the wire to the battery (-) terminal repeatedly. The injector should click.
- ★ If the injector does not click, replace the injector.
- ★ If the injector clicks, check the wiring again. If the wiring is good, replace the injector (may be clogged) or ECU.



Fuel Injectors (#1, #2: Service Code 41, 42)



GC17242BW3 C

- A. ECU
- F. Junction Box
- N. Ignition Switch
- O. Starter Relay
- P. Main Fuse 30 A
- Q. Sealed Battery
- R. Fuel Injector #1
- S. Fuel Injector #2
- V. DFI Fuse 15 A
- e. DFI Main Relay
- f. Ignition Fuse 10 A

3-74 FUEL SYSTEM (DFI)

Fuel Pump (Service Code 45)

Fuel Pump Removal

CAUTION

Never drop the fuel pump, especially on a hard surface. Such a shock to the pump can damage it.

WARNING

Gasoline is extremely flammable and can be explosive under certain conditions. Make sure the area is well-ventilated and free from any source of flame or sparks; this includes any appliance with a pilot light. Do not smoke. Turn the ignition switch OFF. Disconnect the battery (-) terminal.

To make fuel spillage minimum, draw the fuel out from the fuel tank with a pump as much as possible when the engine is cold. Be prepared for fuel spillage; any spilled fuel must be completely wiped up immediately.

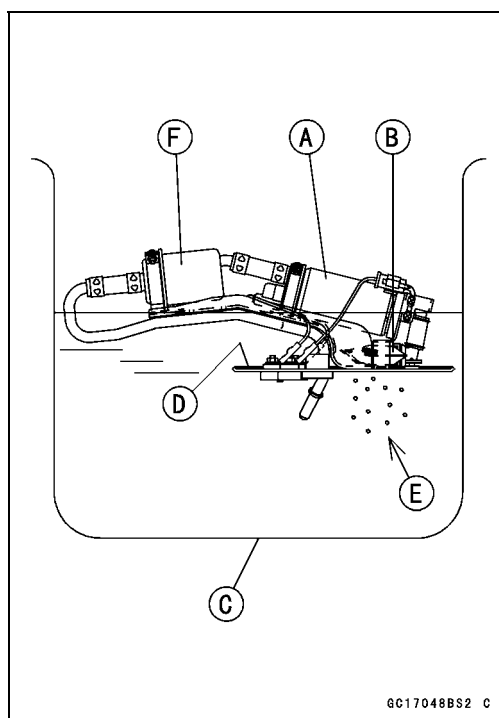
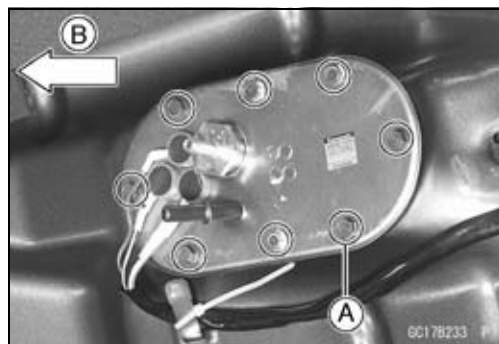
- Remove the fuel tank (see this chapter).
- Draw the fuel out from the fuel tank with a commercially available pump.
- Be careful of fuel spillage from the fuel tank since fuel still remains in the fuel tank and fuel pump. Plug all the fuel pipes of the fuel tank.
- Turn the fuel tank upside down.
- Unscrew the fuel pump bolts [A], and take out the fuel pump and gasket.
Front [B]
- Discard the fuel pump gasket.

Pump Screen, Fuel Filter Cleaning

WARNING

Clean the pump screen in a well-ventilated area, and take care that there are no sparks or flame anywhere near the working area. Because of the danger of highly flammable liquids, do not use gasoline or low-flash point solvent to clean the pump screen.

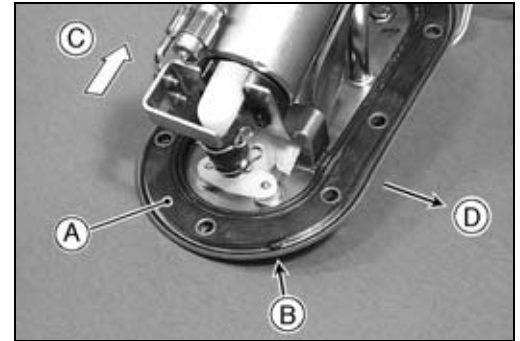
- Remove the fuel pump [A] along with the pump screen [B].
- Discard the fuel pump gasket [D].
- Prepare a container [C] filled with a high-flash point solvent.
- Dip and shake the pump in the solvent to remove dirt and fuel deposits [E] from the pump screen.
- Dry the pump and screen by lightly applying compressed air.
- Replace the fuel pump gasket with a new one.
- Install the fuel pump (see this section).
- The fuel filter [F] cannot be cleaned or checked.
- ★ If the fuel filter is suspected of clogging or being damaged, replace it with the fuel pump as a set.



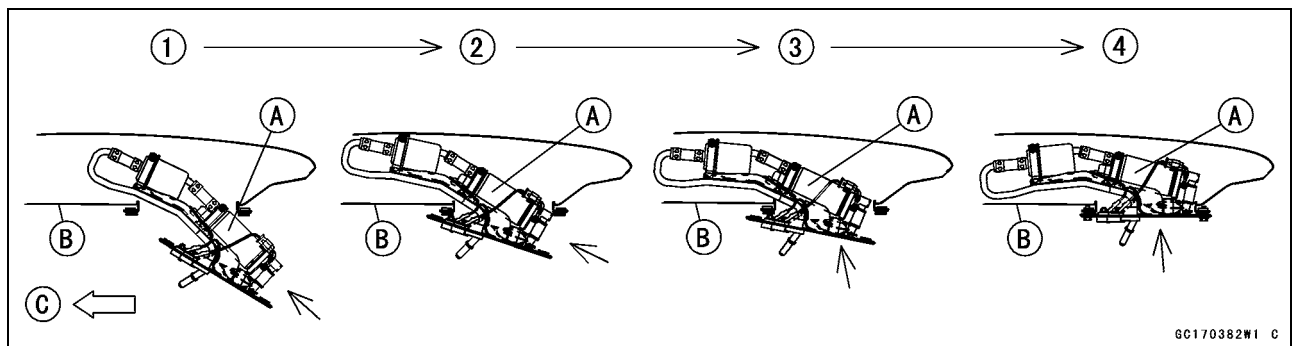
Fuel Pump (Service Code 45)

Fuel Pump Installation

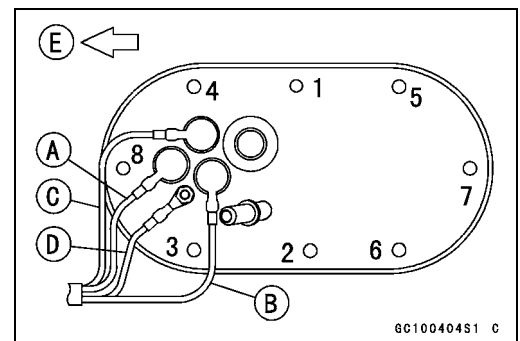
- Clean the pump screen (see Pump Screen Cleaning).
- Remove dirt or dust from the fuel pump by lightly applying compressed air.
- Replace the fuel pump gasket with a new one.
- Install a new pump gasket [A] with its tab [B] facing back and right [D] (top view).
Front [C]



- Install the fuel pump [A] into the fuel tank [B] in the order shown.
Front [C]
First [1] ~ Last [4]



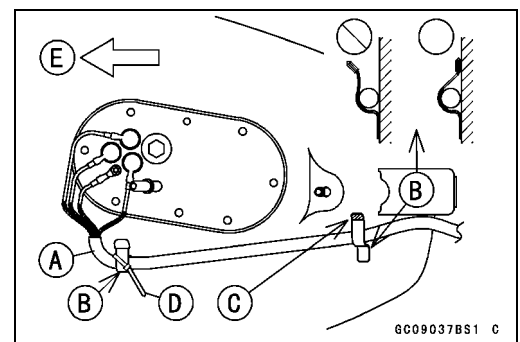
- Check that the fuel pump terminals are in place.
Pump Motor BK/W (-) Lead [A]
Pump Motor W/R (+) Lead [B]
Fuel Reserve Switch R/BK (+) Lead [C]
Fuel Reserve Switch BK/Y (-) Lead [D]
Front [E]
- Apply a non-permanent locking agent to the threads of the fuel pump bolts.
- Tighten the fuel pump bolts to a snug fit following the tightening sequence as shown.
- Following the tightening sequence, tighten the pump bolts to the specified torque.



Torque - Fuel Pump Bolts: 6.9 N·m (0.70 kgf·m, 61 in·lb)

- Tighten the pump bolts again to check the tightness in the order as shown.

- Secure the fuel pump leads [A] with the clamps [B].
- Press the clamps flat by hands against the fuel tank bottom.
- Make sure that the end of each clamp is covered with a plastic cap [C] and touches the fuel tank bottom.
- Clamp the fuel pump leads and clamp on the fuel tank bottom as shown with the strap [D].
- Connect portion of strap push in the fuel tank bottom side. Must not cut off the strap end.
Front [E]



CAUTION

Lack of the clamp caps and protruding of these clamps could damage the electrical harness under the fuel tank.

3-76 FUEL SYSTEM (DFI)

Fuel Pump (Service Code 45)

Operation Inspection

NOTE

- Be sure the battery is fully charged.
- Just listen to the pump sound in the fuel tank to confirm pump operation.
- Turn the ignition switch ON and make sure that the fuel pump operates (make light sounds) for 3 seconds, and then stops.
- Turn the ignition switch OFF.
- ★ If the pump does not work as described above, inspect the power source voltage.

Power Source Voltage Inspection

NOTE

- Be sure the battery is fully charged.
 - Remove the seat (see Frame chapter).
 - Connect a digital voltmeter [A] to the fuel pump connector [B] (black, 4P), using the needle adapter [C].
- Special Tool - Needle Adapter Set: 57001-1457**
- Measure the power source voltage with the engine stopped, and with the pump connector joined.
 - Turn the ignition switch ON.

Pump Power Source Voltage

Connections to Pump Connector

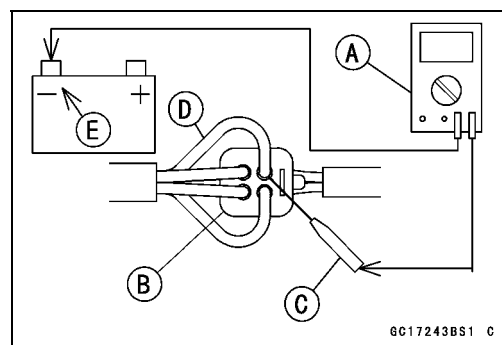
Tester (+) → W/R lead [D]

Tester (-) → Battery (-) Terminal [E]

Power Source Voltage at Pump Connector

Standard: Battery Voltage (12.5 V or more)

- ★ If the reading is good, the power source voltage is normal. Inspect operating source voltage (see in this section).
- ★ If the reading is incorrect, check the following:
 - Battery
 - Main Fuse 30 A in Starter Relay (see Electrical System chapter)
 - DFI Fuse 15 A (see this chapter)
 - Ignition Fuse 10 A in Junction Box (see Electrical System chapter)
 - DFI Main Relay (see this chapter)
 - Wiring for Fuel Pump Power Source (see next diagram)
 - Vehicle-down Sensor (see this chapter)



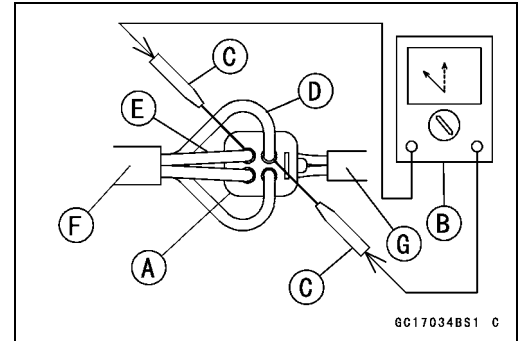
Fuel Pump (Service Code 45)

Operating Voltage Inspection

NOTE

○Be sure the battery is fully charged.

- Turn the ignition switch OFF.
- Remove the seat (see Frame chapter).
- Measure the operating voltage of the fuel pump at the fuel pump connector [A] with the connector joined.
Hand Tester [B]
Needle Adapters [C]



**Pump Operating Voltage at Pump Connector
Connections to Pump Connector**

Tester (+) → W/R lead [D]

Tester (-) → BK/W lead [E]

Reading: Battery Voltage (12.5 V or more) for 3 seconds, and than 0 V

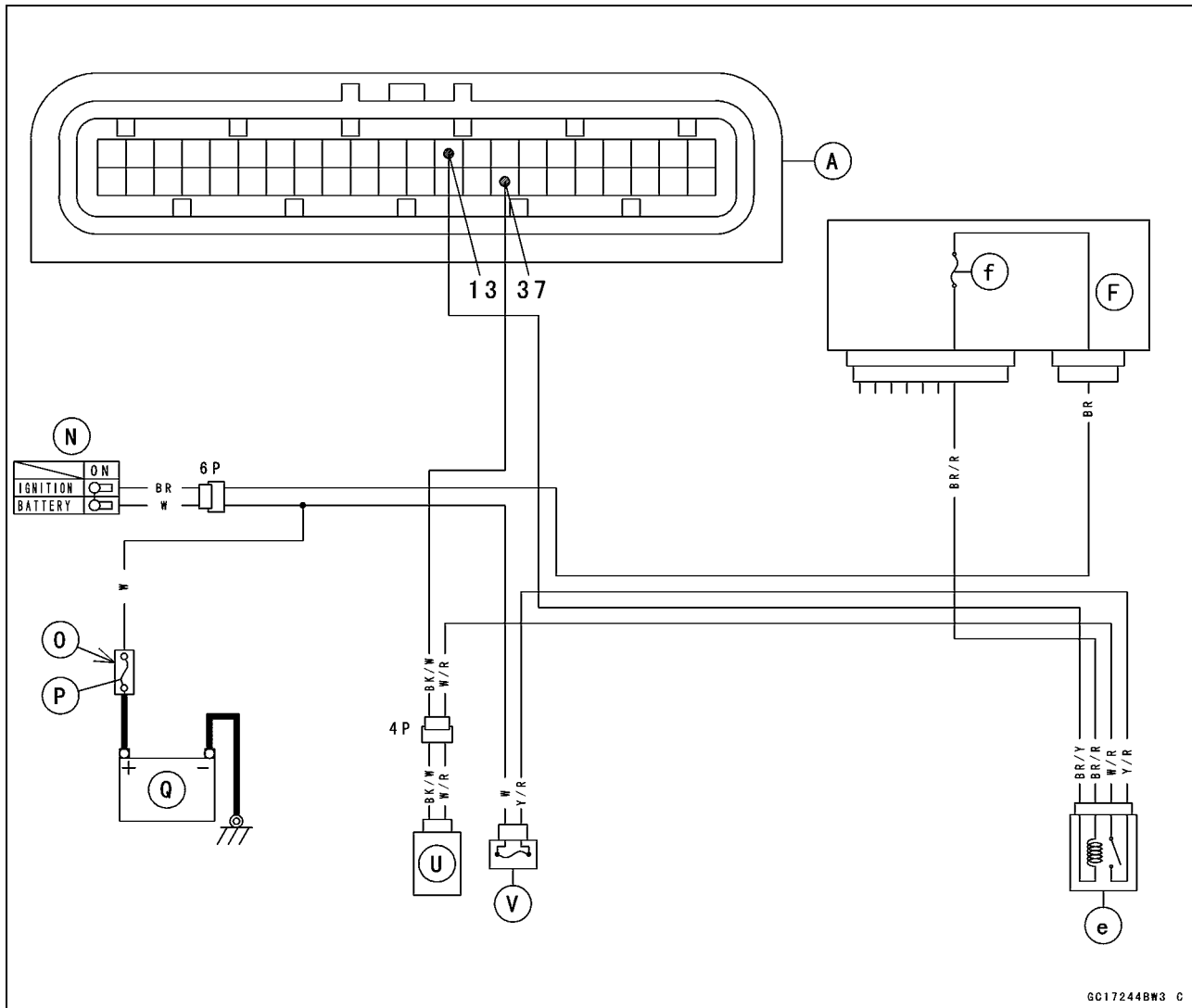
Pump Harness [F] and Main Harness [G]

- ★ If the measurement is normal, replace the fuel pump.
- ★ If the measurement stays on the battery voltage or 0 volt, turn the ignition SW OFF, and remove the fuel tank. And inspect the BK/W lead between the ECU connector and the fuel pump for continuity.
- ★ If the wiring is good, inspect the ECU for its ground, and power supply (see ECU section in this chapter). If the ground and power supply are good, the ECU is suspect. Replace the ECU.
- After inspection, remove the needle adapter, and apply silicone sealant to the seal of the fuel pump connector for waterproofing.

Silicone Sealant- Kawasaki Bond: 56019-120

3-78 FUEL SYSTEM (DFI)

Fuel Pump (Service Code 45)



GC17244BW3 C

- A. ECU
- F. Junction Box
- N. Ignition Switch
- O. Starter Relay
- P. Main Fuse 30 A
- Q. Sealed Battery
- U. Fuel Pump
- V. DFI Fuse 15 A
- e. DFI Main Relay
- f. Ignition Fuse 10 A

Ignition Coils (#1, #2: Service Code 51, 52)

Ignition Coil #1: Ignition Coil for Front Cylinder (Service Code 51)

Ignition Coil #2: Ignition Coil for Rear Cylinder (Service Code 52)

Removal/Installation

CAUTION
Never drop the ignition coils, especially on a hard surface. Such a shock to the ignition coil can damage it.

- Refer to Ignition Coil Removal/Installation of the Ignition System section in the Electrical System chapter.

Input Voltage Inspection

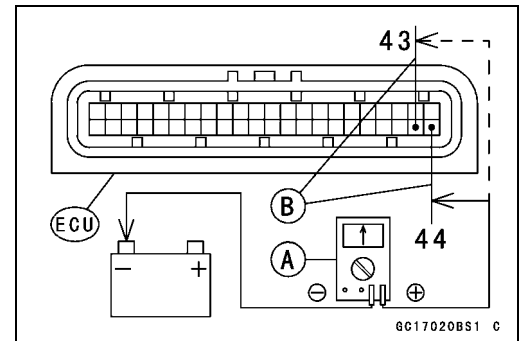
NOTE

○ *Be sure the battery is fully charged.*

- Turn the ignition switch OFF.
- Remove the ECU (see this chapter). Do not disconnect the ECU connector.
- Connect a digital voltmeter [A] as shown, using two needle adapters [B].

Special Tool - Needle Adapter Set: 57001-1457

- Measure the input voltage to each primary winding of the ignition coils with the engine stopped, and with the connectors joined.
- Turn the ignition switch ON.



Ignition Coil Input Voltage at ECU

Connections for Ignition Coil #1

Meter (+) → BK lead (terminal 44)

Meter (-) → Battery (-) Terminal

Connections for Ignition Coil #2

Meter (+) → BK/G lead (terminal 43)

Meter (-) → Battery (-) Terminal

Input Voltage at ECU

Standard: Battery Voltage (12.5 V or more)

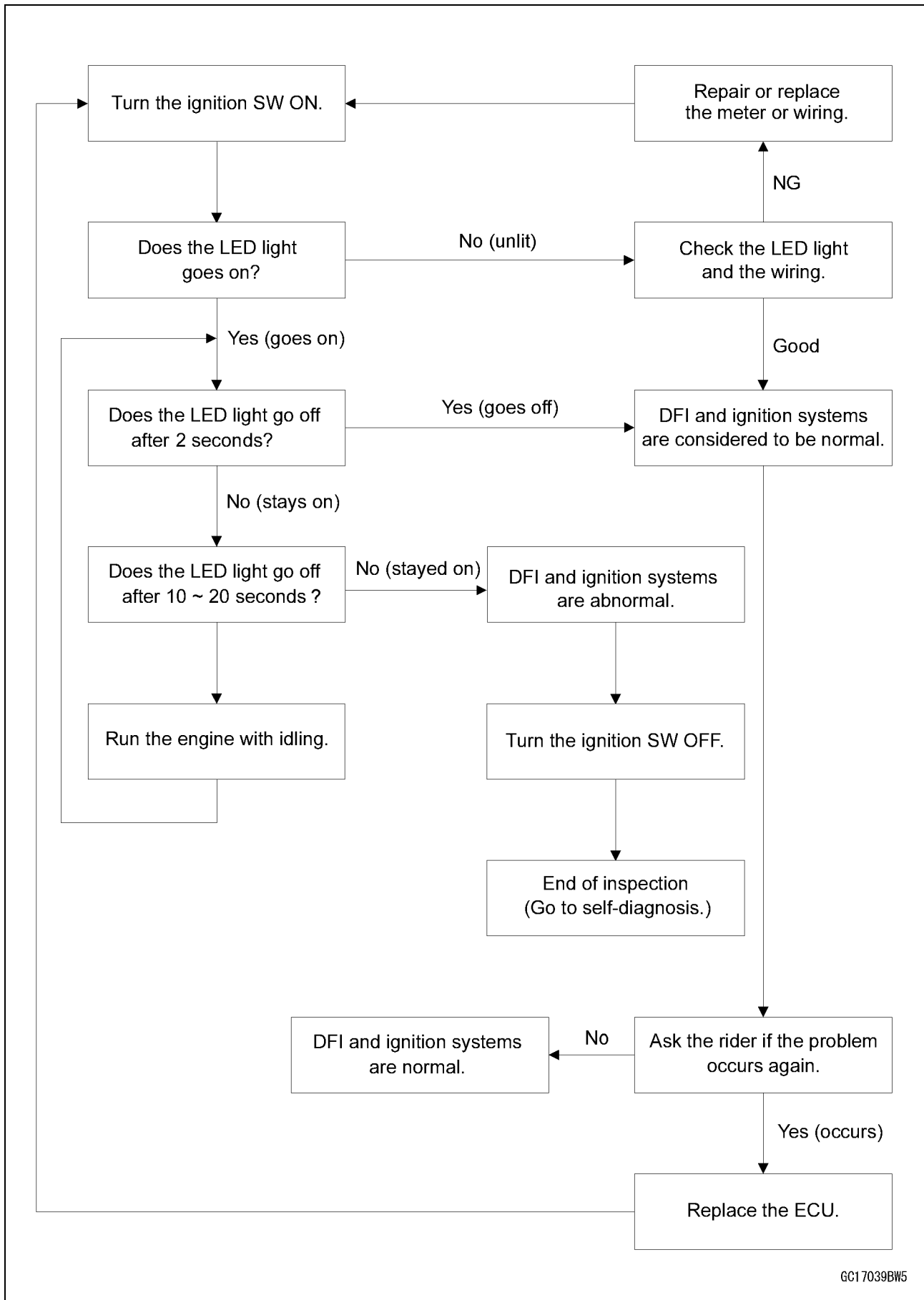
- ★ If the reading is out of the standard, check the ECU for its ground and power supply. If the ground and power supply are good, the ECU is suspect. Replace the ECU.
- ★ If the reading is good remove the fuel tank and check the wiring between the ECU and the primary lead terminals at the ignition coils.
- ★ If the wiring is good, crank the engine, and check the peak voltage of the ignition coils (see Electrical System chapter) in order to check the primary coils.
- Remove the needle adapters.
- Apply silicone sealant to the seals of the ECU connector for waterproofing.

Silicone Sealant- Kawasaki Bond: 56019-120

3-80 FUEL SYSTEM (DFI)

FI Indicator LED Light

Inspection Flow Chart



FI Indicator LED Light

The FI indicator LED light [A] goes ON when the ignition SW is turned ON and the LED light goes OFF 2 seconds later. This is to ensure that the FI indicator LED light has not burned out and the DFI system and the ignition system function properly.



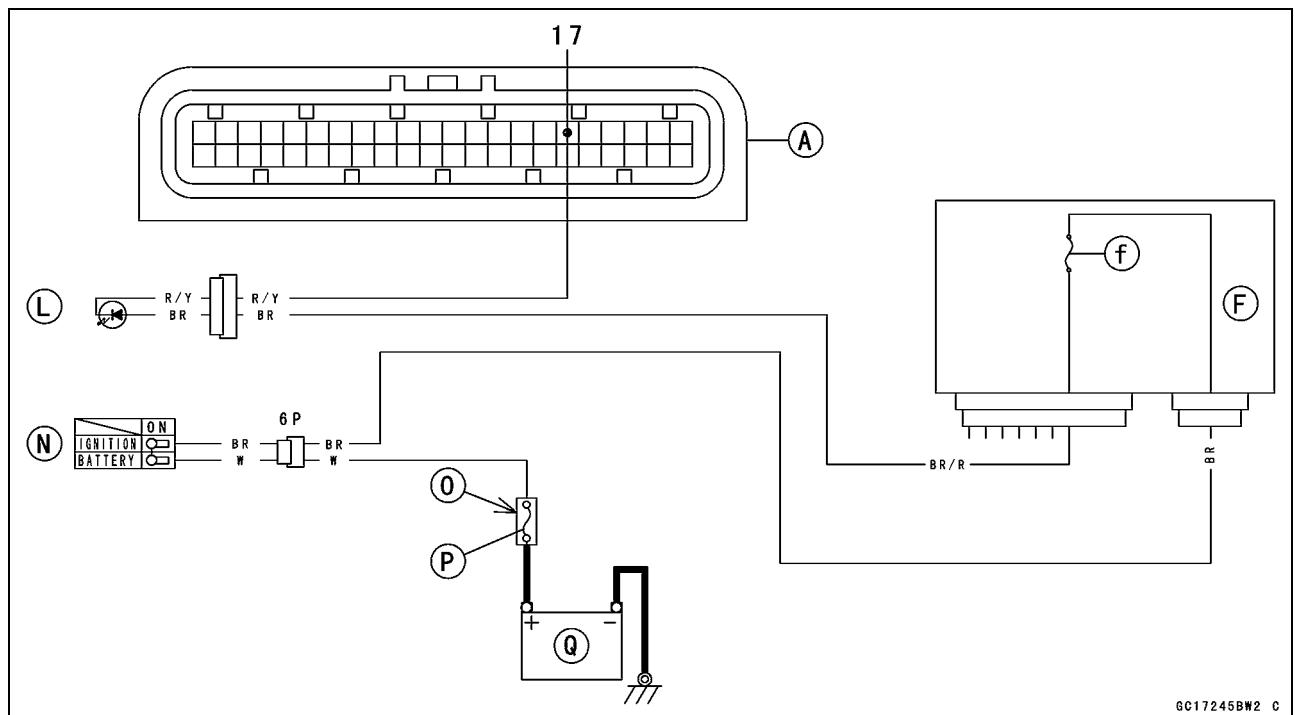
LED Light Inspection

- Refer to the Meter, Gauge section in the Electrical System chapter for LED Light Inspection.

⚠ WARNING

This inspection may produce sparks. Keep the battery and the meter unit away from the fuel tank.

- ★ If the LED light is subnormal, replace the tachometer unit.
- ★ If the FI indicator LED light is normal, the wiring or ECU has trouble. Check the wiring (see next diagram). If the wiring is good, check the ECU for its ground and power supply (see ECU section). If the ground and power supply are good, the ECU is suspect. Replace the ECU.



- A. ECU
- F. Junction Box
- L. FI Indicator LED Light
- N. Ignition Switch
- O. Starter Relay
- P. Main Fuse 30 A
- Q. Sealed Battery
- f. Ignition Fuse 10 A

3-82 FUEL SYSTEM (DFI)

ECU

ECU Identification

○ Most countries have their own regulations, so each ECU has different characteristics of fuel injection according to each country. So, do not confuse ECUs with each other and use only the ECUs for your country. Otherwise, the motorcycle could not clear the emission regulation.

ECU Identification

Models	Type [A]	Part No. [B]
CA and US	F8T97471	21175-0011
EU and AU	F8T97472	21175-0012

CA: Canada Model

US: United States of America Model

EU: European Model

AU: Australian Model

ECU Removal

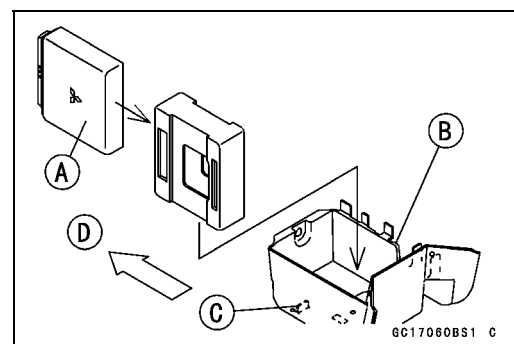
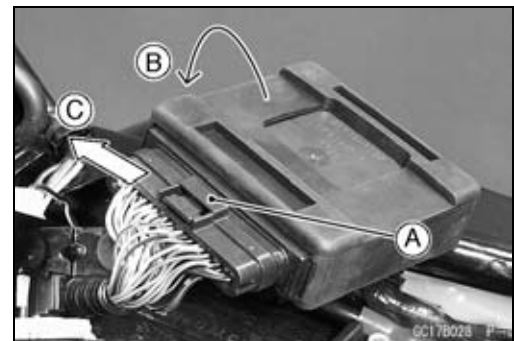
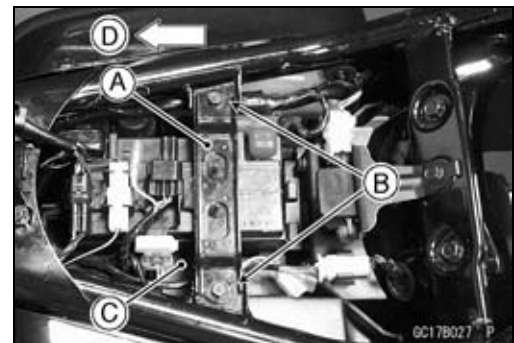
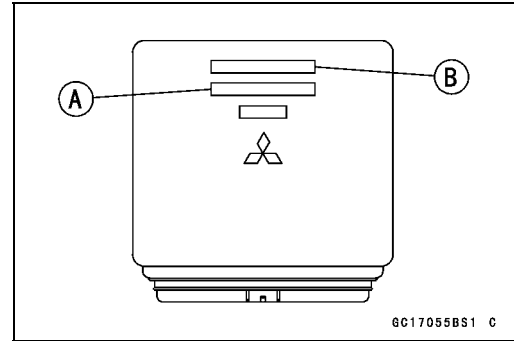
CAUTION

Never drop the ECU, especially on a hard surface. Such a shock to the ECU can damage it.

- Remove:
 - Seat (see Frame chapter)
 - Battery Holder [A] and Bolt [B]
- Pull the ECU [C] out along with the harness.
- ★ If necessary, push the lock and disconnect the ECU connectors.
 - Front [D]

ECU Installation

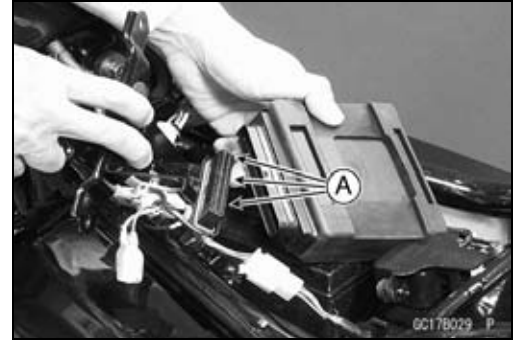
- Connect the ECU connector
 - Face the lock [A] of the connector to the battery side and install [B] the ECU with the connector forward [C].
- Fit the ECU [A] in behind the left side rib [B] of the battery case [C] until the ECU bottoms.
 - Front [D]



ECU

ECU Power Supply Inspection

- Visually inspect the terminals of the ECU connector.
- ★ If the connector is clogged with mud or dust, blow it off with compressed air.
- ★ Replace the main harness if the terminals [A] of the main harness connectors are cracked, bent, or otherwise damaged.
- ★ Replace the ECU if the terminals of the ECU connector are cracked, bent, or otherwise damaged.



- With the ECU connector [A] joined, check the following ground leads for continuity with the ignition SW ON or OFF, using a digital voltmeter [D].

ECU Grounding Inspection

Meter Connections:

10, 20, 32, or 42

(BK/Y) Terminal ↔ Battery (-) Terminal

11 (BR/BK) Terminal ↔ Battery (-) Terminal

Engine Ground Terminal [B] ↔ Battery (-) Terminal

Readings:

0 Ω (regardless of the ignition switch ON or OFF)

- ★ If no continuity, check the connector, the engine ground lead, or main harness, and repair or replace them if necessary.
- Battery [C] in the Frame

Special Tool - Needle Adapter Set: 57001-1457

- Check the power source voltage of the ECU with a digital voltmeter.

ECU Power Source Inspection

Meter Connection:

30 (W/R) Terminal ↔ Battery (-) Terminal

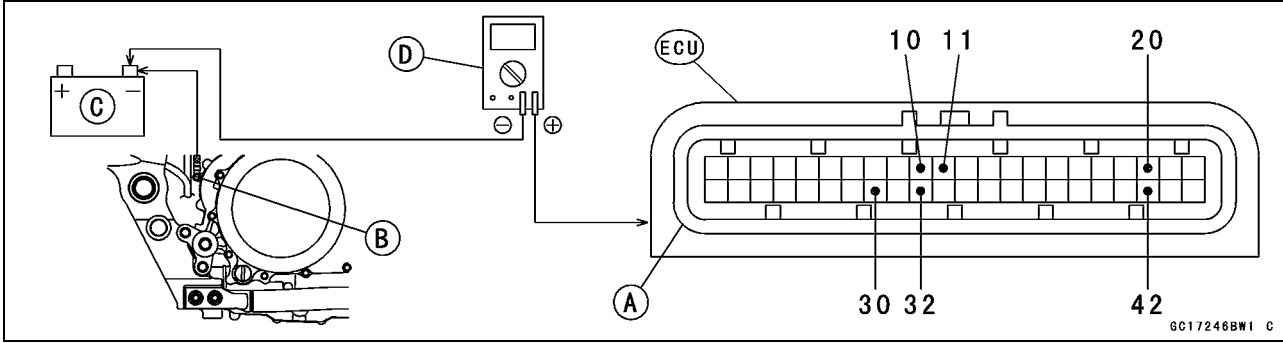
Ignition Switch OFF: 0 V

Ignition Switch ON: Battery Voltage (12.5 V or more)

- ★ If the voltmeter does not read as specified, check the following:
 - Power Source Wiring (see wiring diagram of DFI Power Source section in this chapter).
 - DFI Fuse 15 A (see DFI Power Source section)
 - DFI Main Relay (see DFI Power Source section)
 - Ignition Fuse 10 A (see Electrical System chapter)
- ★ If the inspection checks good, the ECU is damaged. Replace the ECU. The ECU itself cannot be checked or serviced.

3-84 FUEL SYSTEM (DFI)

ECU



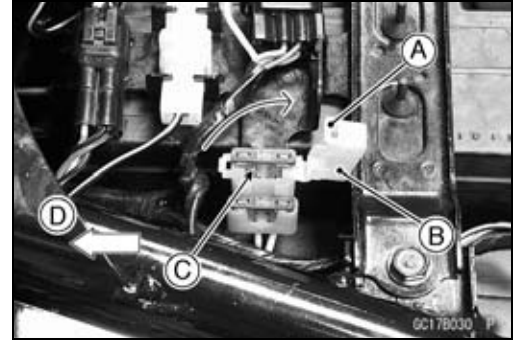
DFI Power Source

DFI Fuse Removal

- Remove the seat (see Frame chapter).
- Pull the lock [A] and open the lid [B].
- Pull out the DFI fuse [C] from the case with needle nose pliers.

Front [D]

- ★ If a fuse fails during operation, inspect the DFI system to determine the cause, and then replace it with a new fuse of proper amperage.



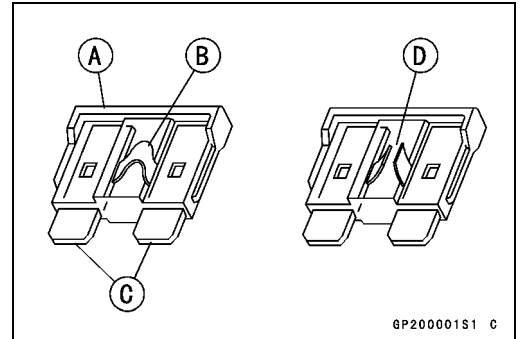
DFI Fuse Inspection

- Remove the fuse (see DFI Fuse Removal).
- Inspect the fuse element.
- ★ If it is open, replace the fuse. Before replacing a blown fuse, always check the amperage in the affected circuit. If the amperage is equal to or greater than the fuse rating, check the wiring and related components for a short circuit.

Housing [A]

Fuse Element [B] and Blown Element [D]

Terminals [C]



CAUTION

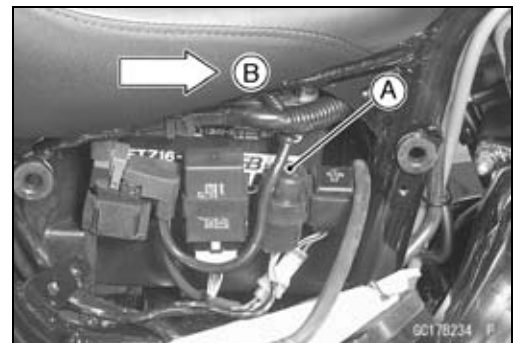
When replacing a fuse, be sure the new fuse matches the specified fuse rating for that circuit. Do not use a fuse rated for other than amperage and voltage specified in the Wiring Diagram.

DFI Main Relay Removal

CAUTION

Never drop the relay, especially on a hard surface. Such a shock to the relay can damage it.

- Remove:
 - Right Side Cover (see Frame chapter)
 - Coolant Reserve Tank (see Coolant System chapter)
- Remove the DFI main relay [A] and disconnect the connector.
 - Front [B]



DFI Main Relay Inspection

- Remove the DFI main relay (see above).
- Connect the hand tester [A] and one 12 V battery [B] to the relay terminal [C] as shown.

Special Tool - Hand Tester: 57001-1394

Relay Coil Terminals [1] and [2]

Relay Switch Terminals [3] and [4]

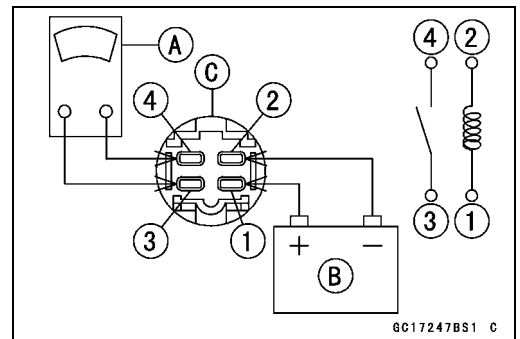
Testing Relay

Tester range: 1 Ω range

Criteria: When battery is connected → 0 Ω

When battery is disconnected → ∞ Ω

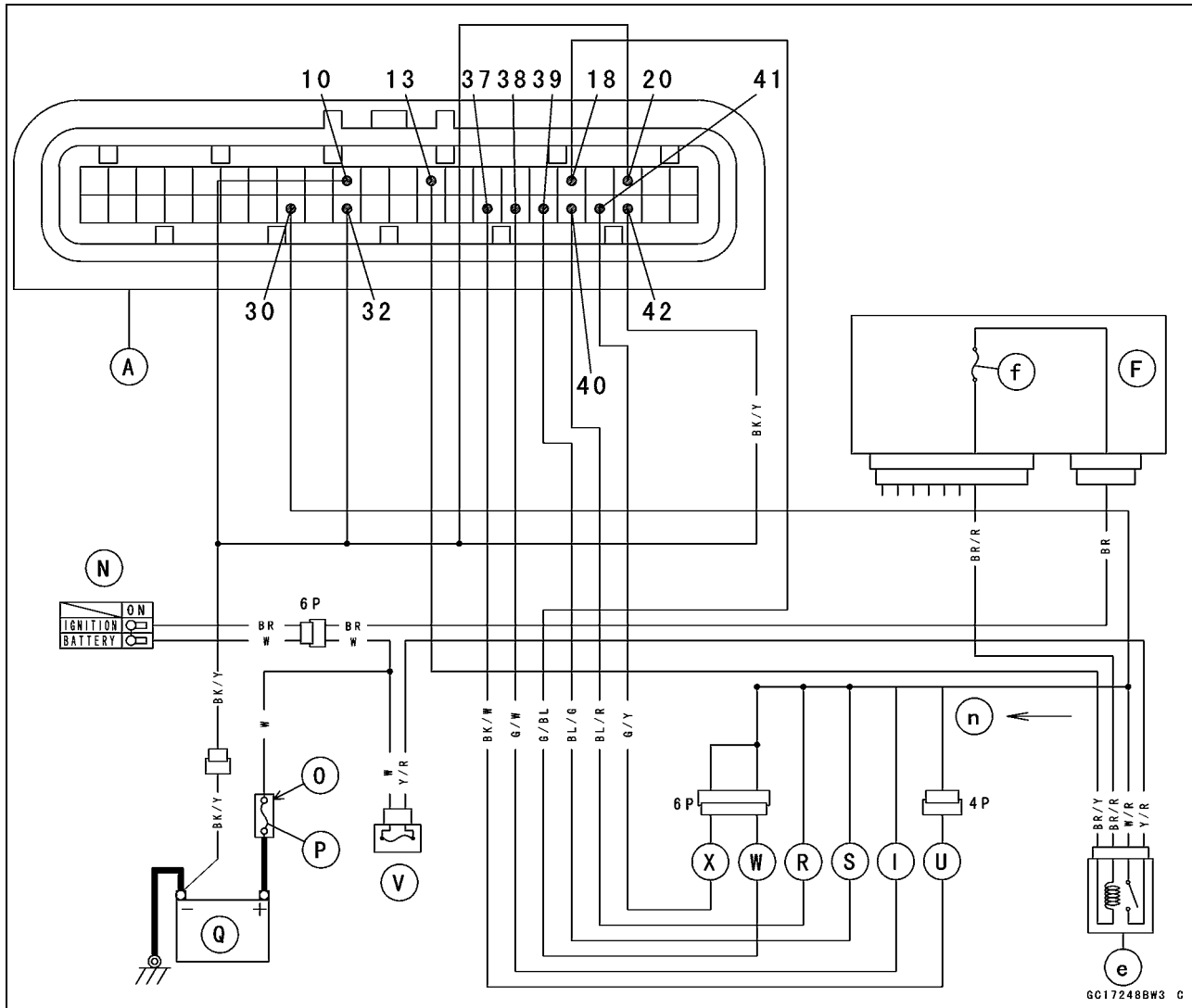
- ★ If the relay does not work as specified, replace the relay.



3-86 FUEL SYSTEM (DFI)

DFI Power Source

DFI Power Source Circuit



- A. ECU
- F. Junction Box
- N. Ignition Switch
- O. Starter Relay
- P. Main Fuse 30 A
- Q. Sealed Battery
- R. Fuel Injector #1
- S. Fuel Injector #2
- U. Fuel Pump
- V. DFI Fuse 15 A
- W. ISC Valve #1
- X. ISC Valve #2
- e. DFI Main Relay
- f. Ignition Fuse 10 A
- n. Actuators: R, S, U, W, X, I

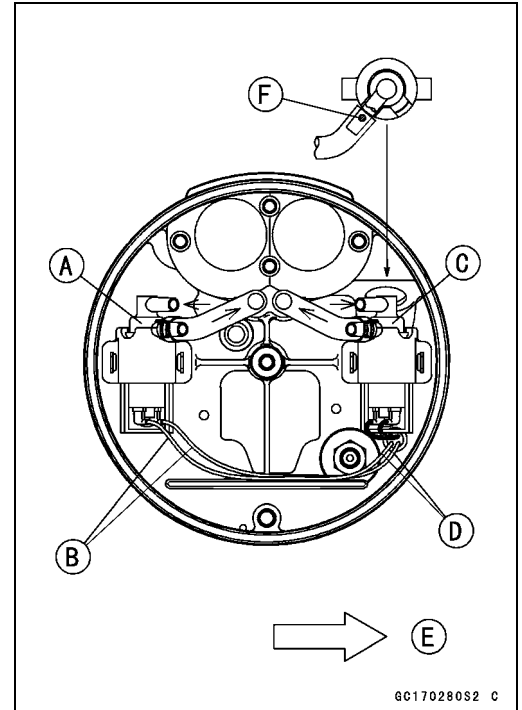
ISC Valves

Removal/Installation

CAUTION

Never drop the ISC valves, especially on a hard surface. Such a shock to the valve can damage it.

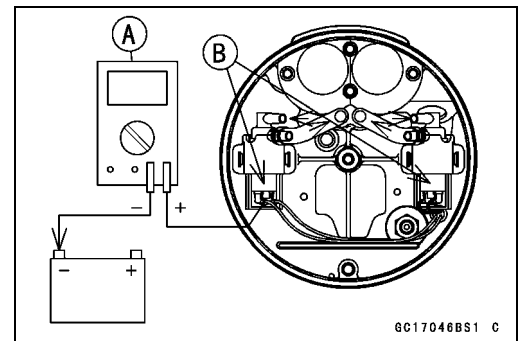
- The ISC valves are removed during right air cleaner housing removal (see this chapter).
- The ISC valve itself is the same for front and rear, but wiring is different. Be careful not to reverse the leads.
 - ISC Valve #1 [C] → G/BL, W/R leads [D]
 - ISC Valve #2 [A] → G/Y, W/R leads [B]
 - Front [E]
- Install the ISC hoses as shown.
 - ISC Hose #2 with the red paint mark on the top
 - ISC Hose #1 with the blue paint mark [F] on the top



Power Source Voltage Inspection

NOTE

- Be sure the battery is fully charged.
- The inspection is the same as "Power Source Voltage Inspection" of the fuel pump.
- Turn the ignition switch OFF.
- Remove the right air cleaner cover (see this chapter).
- Connect a digital voltmeter [A] to the connectors [B] of each ISC valve.
- Measure the power source voltage with the engine stopped, and with the connectors joined.
- Turn the ignition switch ON.



Power Source Voltage at ISC Valve Connector

Connections to ISC Valve #1, #2

Meter (+) → W/R Lead Terminal

Meter (-) → Battery (-) Terminal

Standard: Battery Voltage (12.5 V or more)

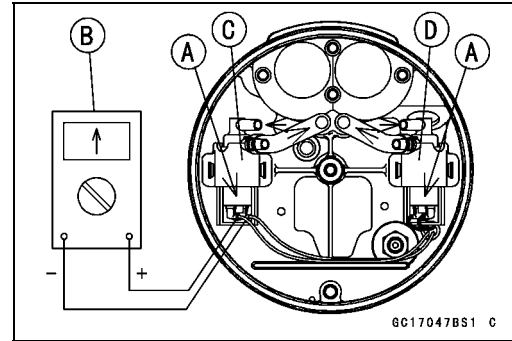
- Turn the ignition switch OFF.
- ★ If there is no battery voltage, check the DFI power source circuit (see DFI Power Source section in this chapter).
- ★ If the reading is normal, the power supply voltage is normal. Check the output voltage.

3-88 FUEL SYSTEM (DFI)

ISC Valves

Output Voltage Inspection

- Check the output voltage at the connectors [A] of the ISC Valves.
- Remove the right air cleaner cover (see this chapter).
Special Tool - Hand Tester [B] : 57001-1394
- Measure the output voltage with the engine stopped, and with the connector joined.
- Turn the ignition switch ON.



Output Voltage of ISC Valves

Connections for ISC Valve #1 [D]

Tester (+) → W/R lead

Tester (-) → G/BL lead

Connections for ISC Valve #2 [C]

Tester (+) → W/R lead

Tester (-) → G/Y lead

Reading: The needle points battery voltage (12.5 V or more) and 11 seconds later 0 V.

- ★ If the reading is incorrect, check the resistance of the ISC valve (see Resistance Inspection in this section).
- ★ If the reading of the resistance is normal, check the wiring for continuity (see next diagram).
- ★ If the wiring is normal, check the ECU for its ground, and power supply (see this chapter). If the ground and power supply are good, the ECU is suspect. Replace the ECU.

Resistance Inspection

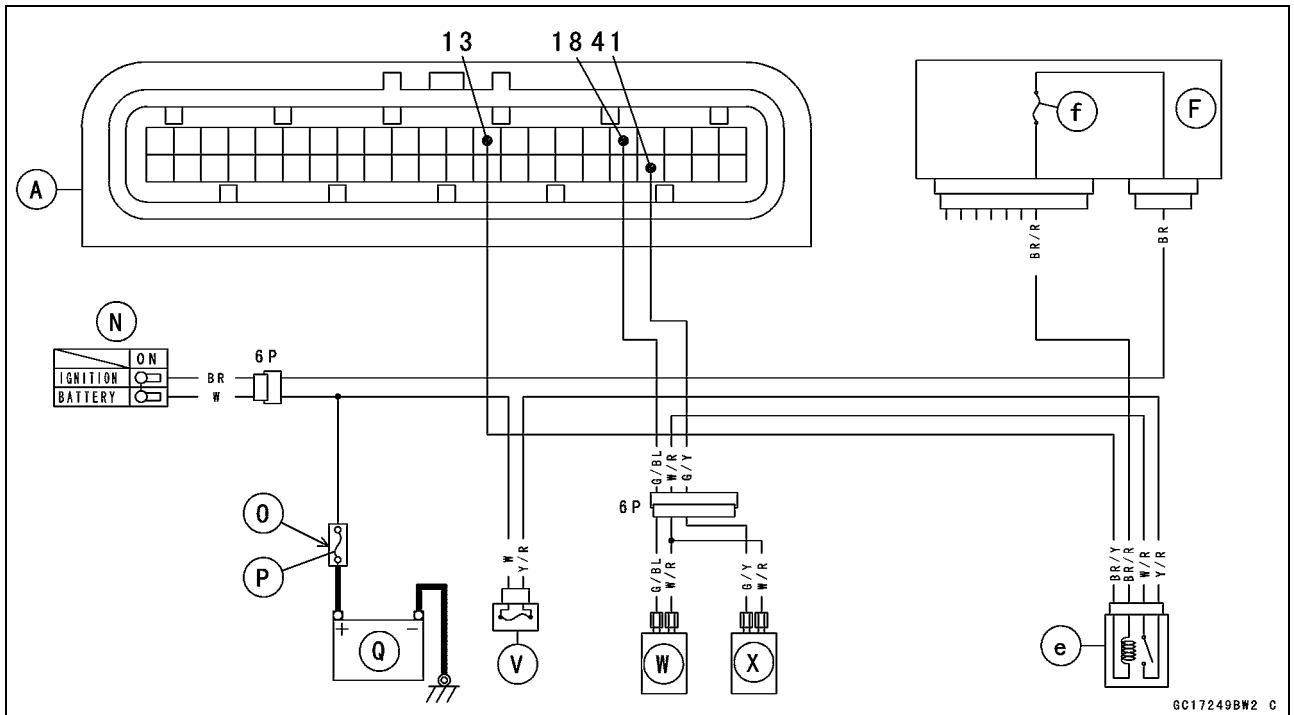
- Disconnect the connectors from the ISC valve.
- Measure the resistance between the terminals of the ISC valve with a digital volt meter.

ISC Valve Solenoid Resistance (#1, #2)

Standard: 13.6 ~ 20.4 Ω

- ★ If the reading is out of the standard range, replace the ISC valve.

ISC Valves



- A. ECU
- F. Junction Box
- N. Ignition Switch
- O. Starter Relay
- P. Main Fuse 30 A
- Q. Sealed Battery
- V. DFI Fuse 15 A
- W. ISC Valve #1
- X. ISC Valve #2
- e. DFI Main Relay
- f. Ignition Fuse 10 A

3-90 FUEL SYSTEM (DFI)

Fuel Line

Fuel Pressure Inspection

NOTE

- This inspection can detect the faults of the DFI fuel line other than the DFI electronic system.
 - It is preferable to measure the fuel pressure while running the motorcycle when the trouble has occurred in order to know symptom well.
 - Be sure the battery is fully charged.
- Remove the fuel tank (see this chapter).
 - Pinch the lock of the fuel hose joint #2 with fingers, disconnect the joint [A] and take out the fuel hose assy [B].
Front [C]

⚠ WARNING

Be prepared for fuel spillage; any spilled fuel must be completely wiped up immediately. When the fuel hose is disconnected, fuel spills out from the hose and the pipe. Cover the hose connection with a clean shop towel to prevent fuel spillage.

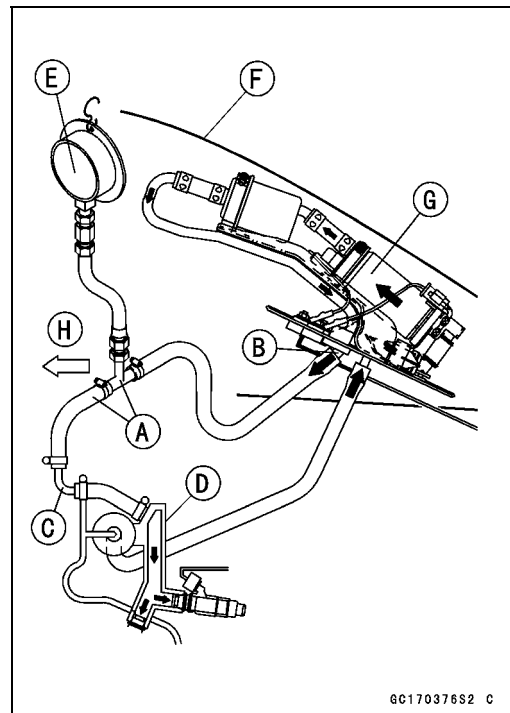
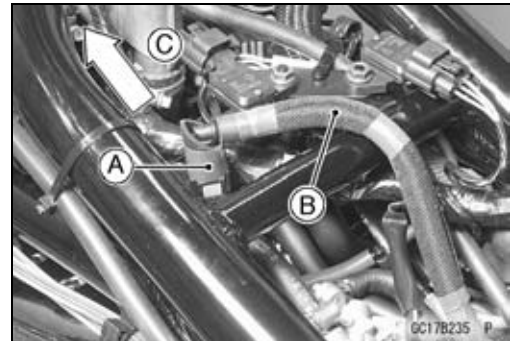
- Install the fuel pressure gauge adapter [A] (special tool) between the fuel tank outlet pipe [B] and the inlet pipe [C] to the delivery joint [D].
- Put the fuel pressure gauge adapter outside the frame.
- Connect the pressure gauge [E] (special tool) to the fuel pressure gauge adapter.
Fuel Tank [F]
Fuel Pump [G]
Front [H]
→: Fuel Flow

Special Tools - Fuel Pressure Gauge Adapter: 57001-1593
Fuel Hose: 57001-1607
Oil Pressure Gauge: 57001-125

- Temporarily, install the fuel tank.
- Connect:
Fuel Pump Connector 4P (black)
Battery Lead (-) Terminal

⚠ WARNING

Do not try to start the engine with the fuel hoses disconnected.



Fuel Line

- Turn the ignition SW ON. The fuel pump will turn for 3 seconds, and then stop.
- Measure the fuel pressure with the engine stopped.

Fuel Pressure

right after Ignition SW ON, with pump running:

Standard: 310 kPa (3.2 kgf/cm², 46 psi)

after 3 seconds from Ignition SW ON,

with pump stopped:

Standard: 280 kPa (2.9 kgf/cm², 41 psi, residual fuel pressure) The system should hold the residual pressure about 30 seconds.

- Start the engine, and let it idle.
- Measure the fuel pressure with the engine idling.

Fuel Pressure (idling)

Standard: 260 kPa (2.7 kgf/cm², 38 psi)

- Measure the fuel pressure with the throttle fully opened a moment.

Fuel Pressure (with throttle fully opened)

Standard: 260 ~ 280 kPa (2.7 ~ 2.9 kgf/cm², 38 ~ 41 psi)

NOTE

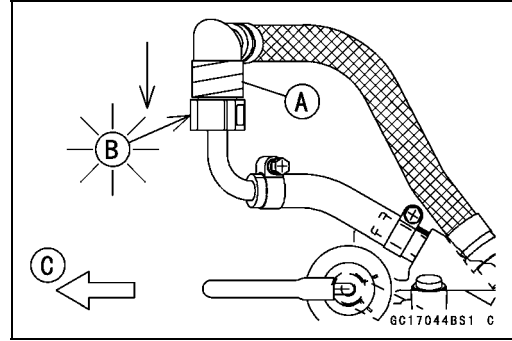
○The gauge needle will fluctuate. Read the pressure at the average of the maximum and minimum indications.

- ★If the fuel pressure is normal, the fuel circulation system (fuel pump, pressure regulator, and oil passage) is no faults. Check the DFI electronic control system (injectors, sensors, crankshaft sensors, and ECU).
- ★If the fuel pressure is much higher than the specified, check the following:
 - Fuel Return Hose for Sharp Bend, Kinking, or Clogging
 - Return Fuel Check Valve (see Fuel Tank section in this chapter)
- ★If the fuel pressure is much lower than specified, check the following:
 - Fuel Pump for Operation (check the sound of the pump)
 - Fuel Line Leakage or Clogging
 - Amount of Fuel Flow (see Fuel Flow Rate Inspection)
- ★If the fuel pressure is much lower than specified, and if inspection above checks out good, replace the pressure regulator, or the fuel pump assy (the fuel filter may be clogged) and measure the fuel pressure again.
- ★If the residual pressure 260 ~ 280 kPa drops at once, the high pressure fuel line could be leaking, including the residual pressure check valve in the fuel pump.
- Remove the fuel pressure gauge and adapter.
- Run the fuel hoses in accordance with the Cable, Wire, and Hose Routing section in the Appendix chapter.

3-92 FUEL SYSTEM (DFI)

Fuel Line

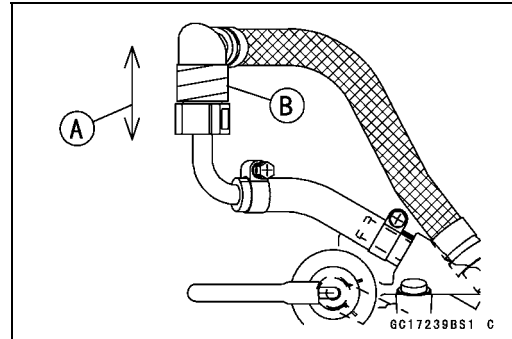
- Fit the fuel hose joint #2 [A] onto the pipe (for delivery joint) until the joint clicks [B].
- Insert the hose joint straight along the pipe.
Front [C]



- Push and pull [A] the fuel hose joint #2 [B] back and forth more than two times and make sure it is locked and doesn't come off. When the fuel hose joint #2 is correctly installed, it should slide on the delivery pipe about 5 mm (0.2 in.)

⚠ WARNING

Make sure the fuel hose joint is installed correctly on the delivery pipe by sliding the joint, or the fuel could leak.



Pressure Regulator Removal

- The pressure regulator is removed during Injector Removal (see Injector Removal in this chapter).

Fuel Flow Rate Inspection

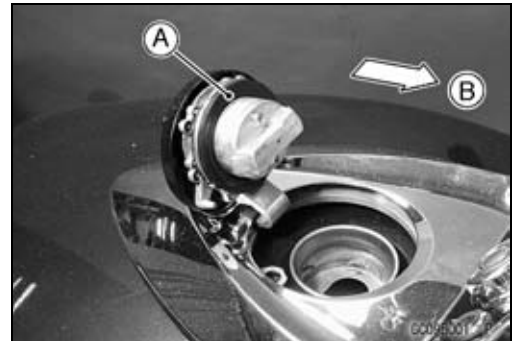
NOTE

- Be sure the battery is fully charged.

⚠ WARNING

Gasoline is extremely flammable and can be explosive under certain conditions. Make sure the area is well-ventilated and free from any source of flame or sparks; this includes any appliance with a pilot light. Do not smoke. Turn the ignition switch OFF. Be prepared for fuel spillage; any spilled fuel must be completely wiped up immediately.

- Turn both ignition SW, and engine stop switch OFF.
- Wait until the engine cools down.
- Open the fuel tank cap [A] to lower the pressure in the tank.
Front [B]

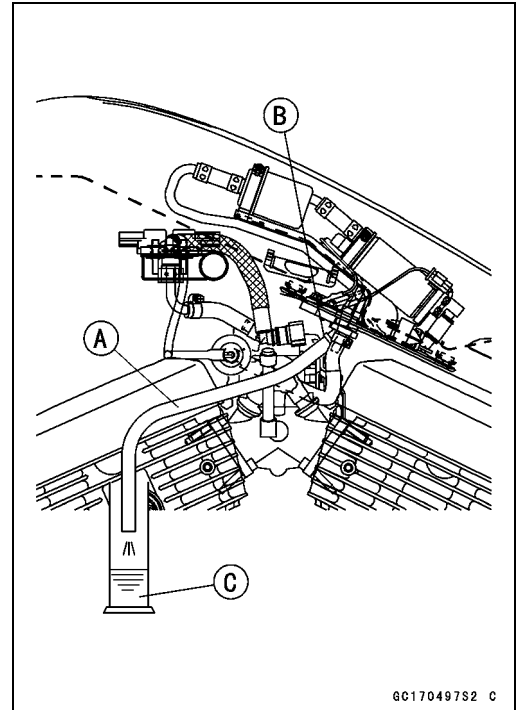


Fuel Line

- Prepare a plastic hose of the inside diameter 7.5 mm × L about 400 mm and a measuring cylinder.
- Remove:
 - Seat (see Frame chapter)
 - Indicator Unit (see Fuel Tank Removal in this chapter).
 - Fuel Tank Bolts
- Raise the fuel tank.
- Stuff a clean shop towel around the fuel outlet hose joint.
- While pinching the locks of the hose joint #1 with fingers, disconnect the joint (see Fuel Tank Removal) and insert the plastic hose [A] quickly onto the tank outlet pipe.
- Secure the plastic hose with a clamp [B].
- Run the other side of the plastic hose into the measuring cylinder [C].
- Temporarily install the fuel tank and close the fuel tank cap.

⚠ WARNING

**Wipe off spilled out fuel immediately.
Be sure to hold the measuring cylinder vertical.**



- With the engine stopped, turn the ignition SW ON. The fuel pump should operate for 3 seconds, and then should stop. Repeat this several times until the plastic hose is filled with fuel.
- Measure the discharge for 3 seconds with the plastic hose filled with fuel.

Amount of Fuel Flow

Standard: 75 mL or more for 3 seconds

- ★ If the fuel flow is much less than the specified, check the following:
 - Fuel Hoses for no Sharp Bend, Kinking, nor Clogging
 - Fuel Pump Assy (see Fuel Pump section in this chapter)
 - Pump Screen (see Pump Screen Cleaning in the Fuel Pump section).
- After inspection, connect the fuel hoses, and install the fuel tank (see Fuel Tank Installation).
- Start the engine and check for no fuel leakage.

3-94 FUEL SYSTEM (DFI)

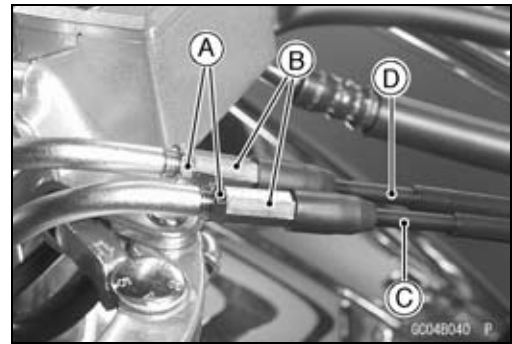
Throttle Grip and Cables

Throttle Grip Free Play Inspection

- Refer to Throttle Control System Inspection in the Periodic Maintenance Chapter.

Throttle Grip Free Play Adjustment

- Loosen the locknuts [A] and screw the adjusters [B] all the way in so as to give the throttle grip plenty of play.
- Turn out the adjuster of the decelerator cable [C] until there is no play.
- Tighten the locknut against the adjuster.
- Turn the adjuster of the accelerator cable [D] until the proper amount of throttle grip free play is obtained and tighten the locknut against the adjuster.



⚠ WARNING

Operation with incorrectly routed or improperly adjusted cables could result in an unsafe riding condition.

Choke Knob Operation

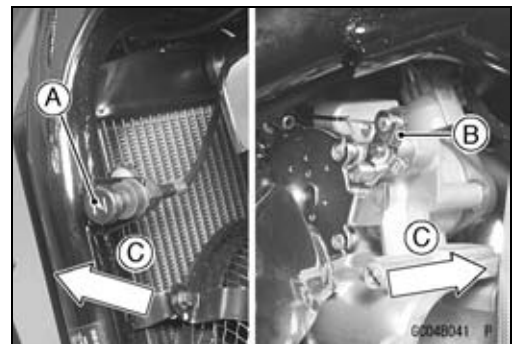
- Do not use the choke knob except when the engine has a starting difficulty, like in cold weather (10°C or below) or at high altitude. The DFI system has an automatic choke system, using ISC valves, a water temperature sensor, and an atmospheric pressure sensor, which provide start ability.

NOTE

- Pull the choke knob [A] fully when using. The choke lever [B] doesn't work with the choke knob halfway.

Front [C]

- When flooded, do not crank the engine with the throttle fully opened like a carburetor. This promotes engine flooding because more fuel is supplied automatically by the DFI system.



Choke Cable Free Play Inspection

- Choke cable free play cannot be adjusted.
- Check that the choke inner cable slides smoothly by pulling and pushing the choke knob lightly.
- ★ If there is any irregularity, or the choke lever doesn't work when the choke knob is pulled fully, replace the choke cable.

Cable Removal/Installation

- See Throttle Body Assy section in this chapter for removal/installation of the throttle cables and choke cable.

Cable Lubrication and Inspection

- Whenever the choke cable or the throttle cables are removed or in accordance with the Periodic Maintenance Chart, lubricate these cables. Refer to General Lubrication in the Periodic Maintenance Chapter.
- Use a commercially available pressure cable lubricator to lubricate these cables.
- With the cable disconnected at both ends, the cable should move freely in the cable housing.

Throttle Body Assy

Idle Speed Check

- Refer to Idle Speed Inspection in the Periodic Maintenance Chapter.

Idle Speed Adjustment

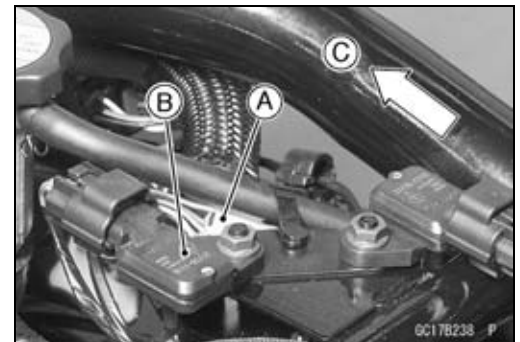
- Refer to Idle Speed Inspection in the Periodic Maintenance Chapter.

High Altitude Performance Adjustment

- Any modification is not necessary in this model since the atmospheric pressure sensor senses atmospheric pressure change due to high altitude and the ECU compensates the change.

Throttle Body Assy Removal

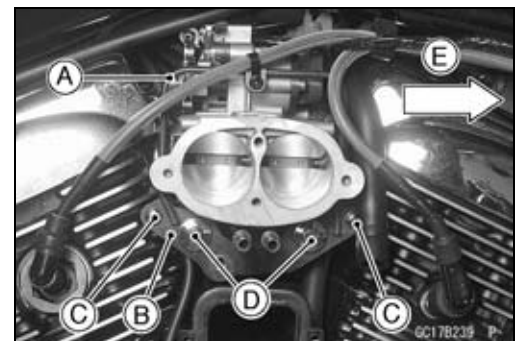
- Remove the fuel tank (see this chapter).
- Remove the white connector [A] of the inlet air temperature sensor.
Inlet Air Pressure Sensor [B] (for reference)
Front [C]



⚠ WARNING

Gasoline is extremely flammable and can be explosive under certain conditions. Make sure the area is well-ventilated and free from any source of flame or sparks; this includes any appliance with a pilot light. Do not smoke. Turn the ignition switch OFF. Disconnect the battery (-) terminal. Be prepared for fuel spillage; any spilled fuel must be completely wiped up immediately.

- Remove:
Right and Left Air Cleaner Base (see this chapter)
Right Spark Plug Lead Holder [A] and Bolts [C]
Throttle Body Assy Holder [B]
Throttle Body Assy Holder Bolts [D]
Front [E]



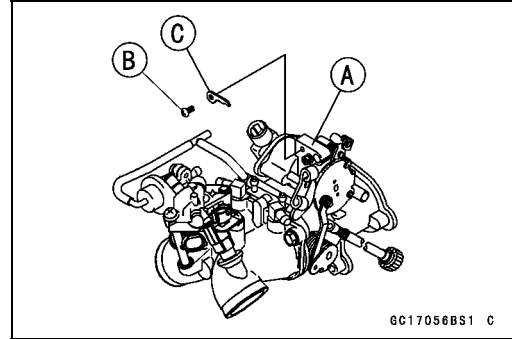
- Disconnect:
Throttle Sensor Connector [A] (from the throttle sensor)
Front and Rear Injector Connectors [B]
Front [C]



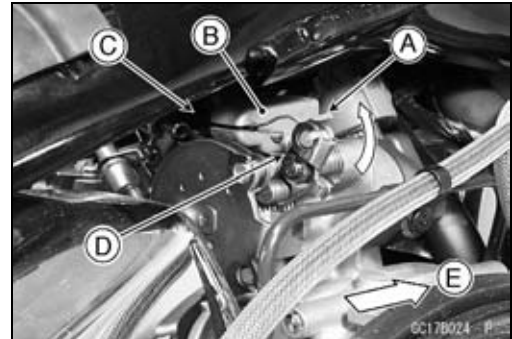
3-96 FUEL SYSTEM (DFI)

Throttle Body Assy

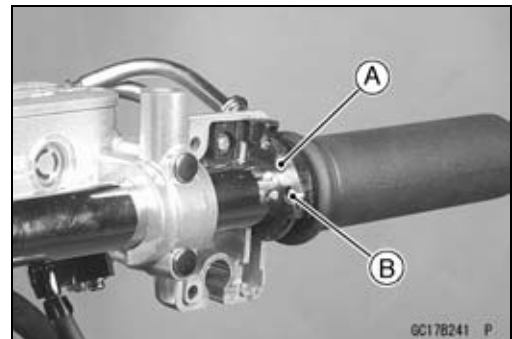
- Remove the following from the choke cable holder [A] (left -behind view).
 - Screw [B]
 - Choke Cable Plate [C]



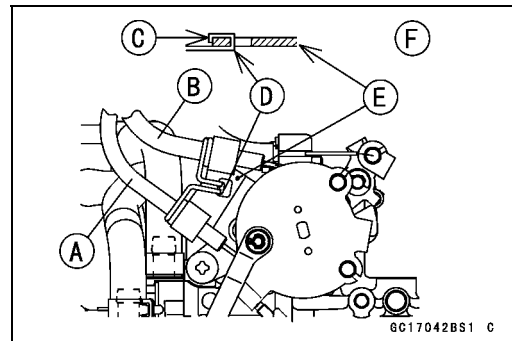
- While pushing the choke lever [A] forward, remove the cable housing from the choke cable holder [B] and the inner cable out of the holder slit [C].
- Take off the lower end [D] from the choke lever. Front [E]



- Remove the screws and take off the right switch housing.
- Remove the accelerator cable end [A] and decelerator cable end [B] at the throttle grip.



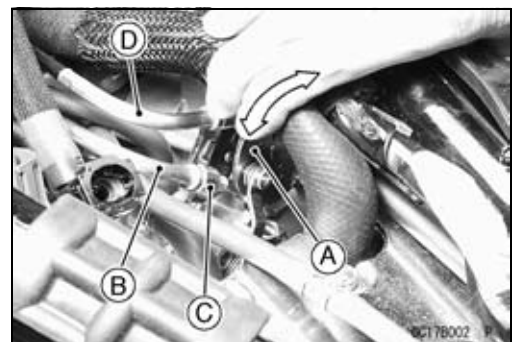
- Pry open the staking [C] on the throttle cable holder [E], and remove the cable clip [D]. Rear View [F] (for reference)
 - Accelerator Cable [A] and Decelerator Cable [B]



CAUTION

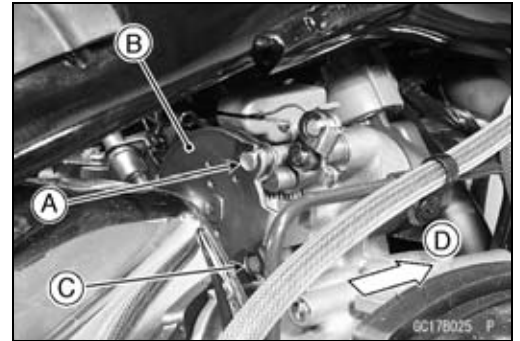
Do not remove the throttle cable holder. If the holder is damaged, replace it along with the throttle assy.

- Turn the throttle pulley [A] as shown, and pull out the accelerator cable housing [B] from the cable holder [C] (rear view).
- Return the pulley, and pull out the decelerator cable housing [D] from the cable holder.

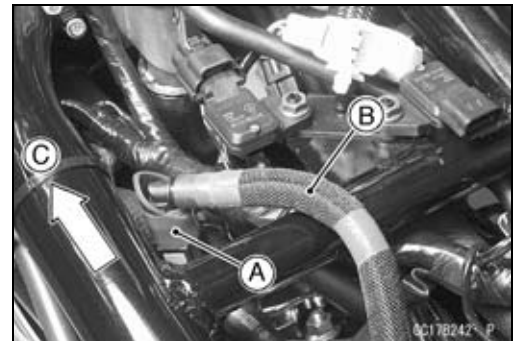


Throttle Body Assy

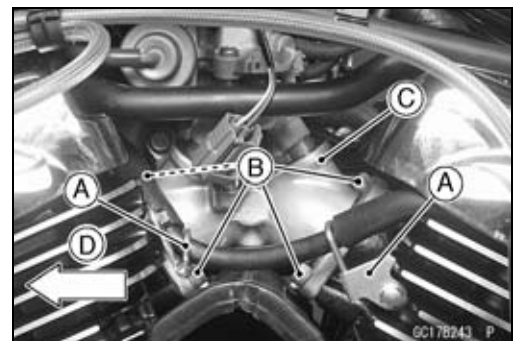
- Remove the decelerator cable end [A] from the throttle pulley [B].
- Using needle nose pliers, move the accelerator inner cable outside the engine, and remove the cable end [C] from the pulley.
Front [D]



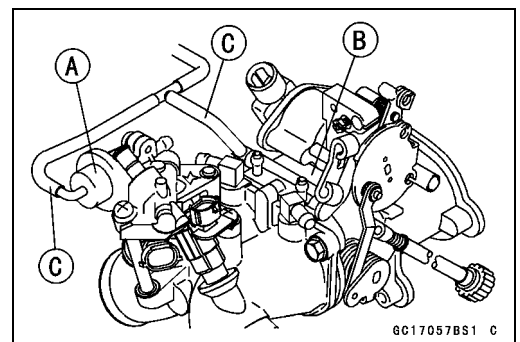
- Pinch the lock of the fuel hose joint #2 [A] with your fingers, pull the joint #2 out along the pipe (for delivery joint), and take out the fuel hose assy [B].
Front [C]



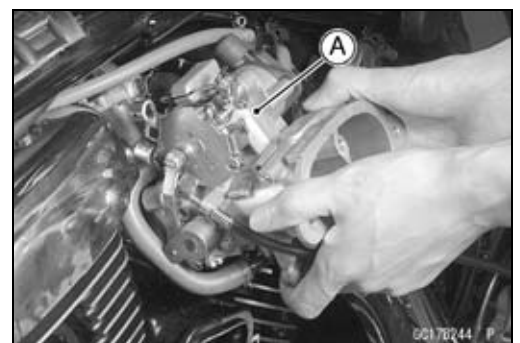
- Remove the oil hose clamps [A].
- Unscrew the inlet manifold bolts [B].
Inlet Manifold [C]
Front [D]



- Pull the vacuum hoses [C] off the pressure regulator [A] and the throttle body [B] (rear view).



- Take out the throttle body assy [A] from the right side, while tilting it up.
- Be careful not to damage (dent, nick, flaw, and crack) the flange mating surface and the plastic parts.
- Do not drop the throttle body assy, especially on a hard surface.



⚠ WARNING

The throttle body assy should never be allowed to fall. Throttle may become stuck, possibly causing an accident.

3-98 FUEL SYSTEM (DFI)

Throttle Body Assy

- Stuff a piece of lint-free, clean cloth into the throttle body assy, and the inlet ports of the cylinder heads to keep dirt out of the engine.

⚠ WARNING

If dirt or dust is allowed to pass through into the throttle bore, the throttle may become stuck, possibly causing an accident.

CAUTION

If dirt gets through into the engine, excessive engine wear and possibly engine damage will occur.

Throttle Body Assy Installation

- Install the lower air cleaner duct between cylinders.
 - Replace the flange seal [A] with a new one.
 - With a high-flash point solvent, clean off the flange surface of the cylinder head and wipe dry.
 - Install the flange [B] and the seal in the direction shown. Face the ribs [C] of the flange and the smaller diameter end upwards.
 - The seal should be centered on the flange.
 - Tighten the inlet manifold bolts [D] to a snag fit.
- First, tighten the throttle body assy holder bolts [A], secondly the inlet manifold bolts [B] and right spark plug lead holder bolts [C] to the specified torque.
Front [D]

Torque - Throttle Body Assy Holder Bolts: 11 N·m (1.1 kgf·m, 97 in·lb)

Inlet Manifold Bolts: 12 N·m (1.2 kgf·m, 106 in·lb)

Right Spark Plug Lead Holder Bolts: 11 N·m (1.1 kgf·m, 97 in·lb)

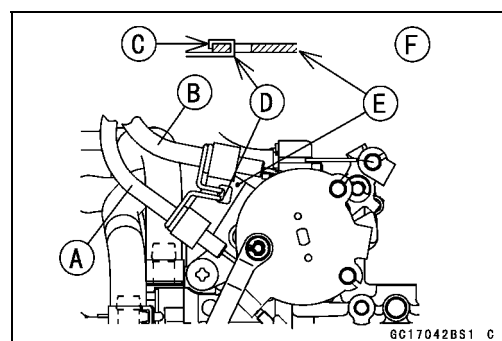
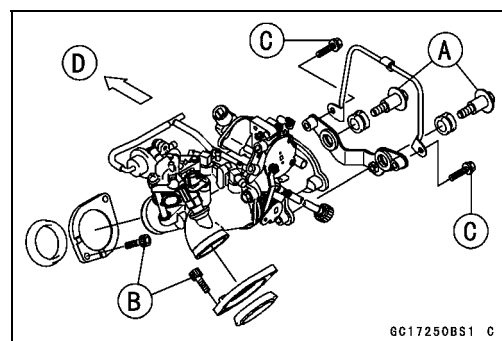
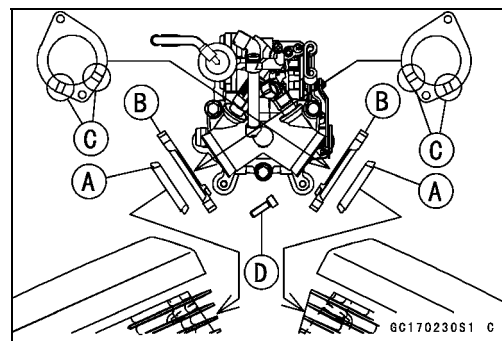
- Install the lower ends of the throttle cables in the throttle pulley.
Accelerator Cable [A] and Decelerator Cable [B]
- Run the throttle cables correctly (see Cable, Wire, and Hose Routing section in the Appendix chapter).
- Stake [C] the cable clip [D] on the throttle cable holder [E].
Rear View [F]
- Install the lower end of the choke cable in the choke lever.
- Apply:

**Non-permanent Locking Agent -
Choke Cable Plate Screw**

- Tighten:

Torque - Choke Cable Plate Screw: 2.9 N·m (0.30 kgf·m, 26 in·lb)

- Run the choke cable correctly (see Appendix chapter) and check that the choke knob moves smoothly.



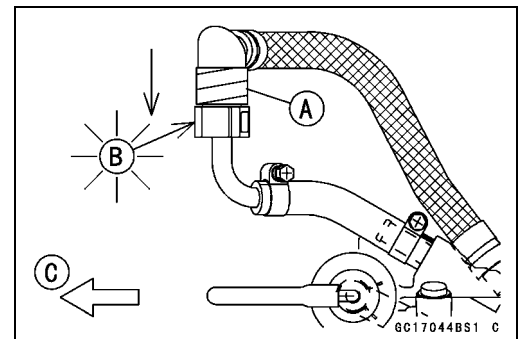
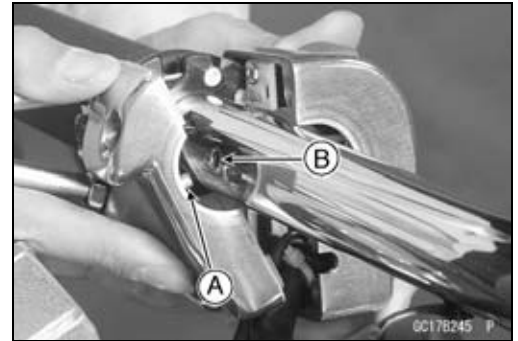
Throttle Body Assy

- Apply a thin coating of grease to the throttle cable upper ends.
- Install the upper ends of the throttle cables in the grip.
- Fit the projection [A] of the right switch housing into the hole [B] of the handlebar (front view).
- Turn the throttle grip and make sure that the throttle valves move smoothly and return by spring force.
- Check the throttle grip free play (see Throttle Grip Free Play Inspection in the Periodic Maintenance chapter).

⚠ WARNING

Operation with an incorrectly routed cable could result in an unsafe riding condition.

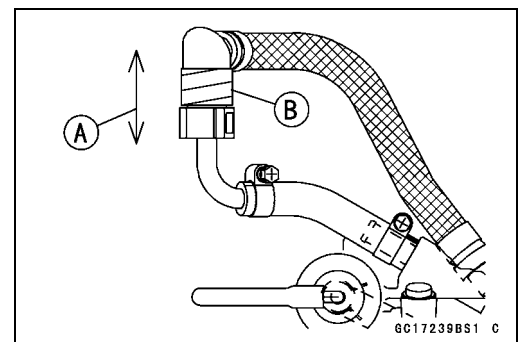
- Fit the fuel hose joint #2 [A] onto the pipe (for delivery joint) until the joint clicks [B].
- Insert the hose joint straight along the pipe.
Front [C]



- Push and pull [A] the fuel hose joint #2 [B] back and forth more than two times and make sure it is locked and doesn't come off. When the fuel hose joint #2 is correctly installed, it should slide on the delivery pipe about 5 mm (0.2 in.).

⚠ WARNING

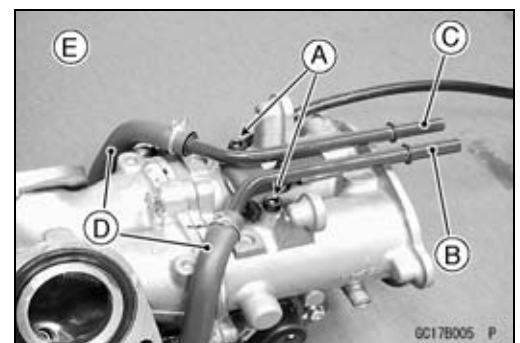
Make sure the fuel hose joint is installed correctly on the delivery pipe by sliding the joint, or the fuel could leak.



- Install the fuel tank and the air cleaner housing (see this chapter).

Throttle Body Assy Disassembly/Assembly

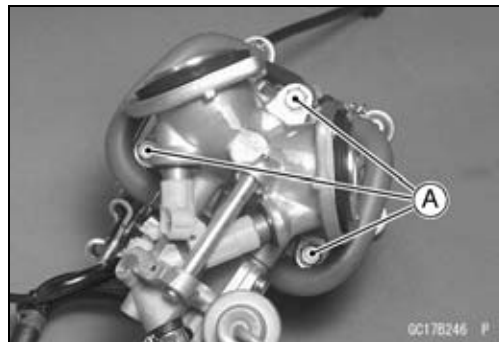
- Remove the throttle body assy (see this chapter).
- Unscrew two bolts [A], and pull out the ISC pipe #1 [B], and ISC pipe #2 [C] from the hoses [D].
Bottom View [E]



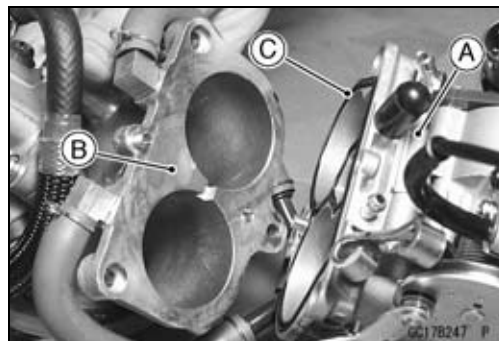
3-100 FUEL SYSTEM (DFI)

Throttle Body Assy

- Remove the three throttle body flange bolts [A].



- Split the throttle body assy into the throttle body [A] and the inlet manifold [B]. The gasket [C] comes off.
- Discard the gasket.



- Do not remove or adjust the following parts. These parts are set at the factory and cannot be readjusted.

CAUTION

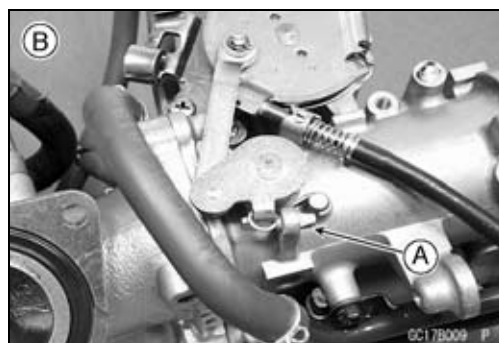
Adjustment of some of these parts could result in poor performance, requiring replacement of the throttle body.



Throttle Sensor [A]:

Turning the sensor body could spoil the ignition timing and injection quantity.

Front View [B]



Throttle Stop Screw [A]:

Tampering with this screw could spoil the idling performance since the screw sets the gap between the throttle valves and the throttle bore with throttle grip closed.

Rear View [B]

Choke Lever Stop Screw [A]:

This screw sets the throttle valve opening when the choke knob is pulled fully. Tampering with the screw could cause malfunction of the choke lever.

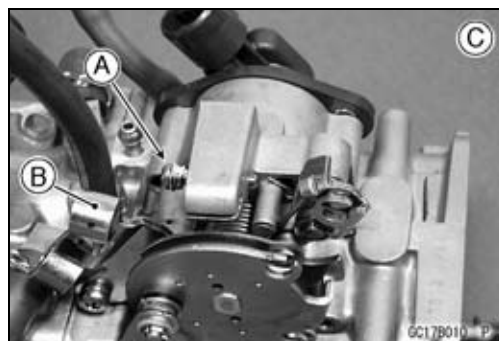
Throttle Cable Holder [B]:

This is sold with a throttle body as a unit.

Rear View [C]

Throttle Valve and Throttle Shaft:

They are not allowed to remove because of difficulty of removal.



Throttle Body Assy

- Remove the delivery joint and injectors (see Injector section in this chapter).
- Open the butterfly valves [A], and wipe any carbon off the throttle bores [B] around the valves, using a piece of lint-free cloth penetrated with a high-flash point solvent.
- Clean the bores [C] of the inlet manifold [D] as well.
- Blow away dirt or dust from the throttle body and the inlet manifold by applying compressed air.

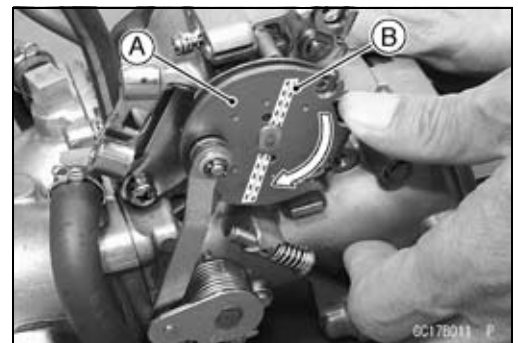
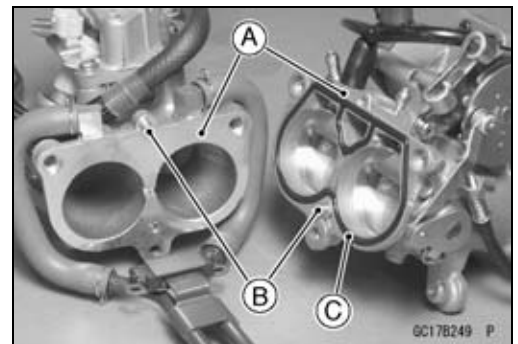
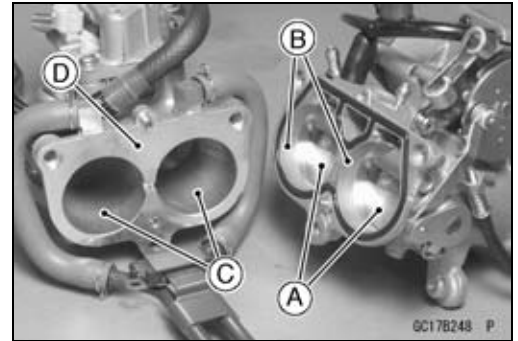
CAUTION

Do not immerse the throttle body (or throttle assy) in a high-flash point solvent for cleaning. This could damage the throttle sensor on the throttle body.

- Before assembly, visually inspect the mating surfaces [A] for any damage, like dent, nick, rust, flaw, and crack.
- Nick or rust damage can sometimes be repaired by using emery paper (first No. 200, then 400) to remove sharp edges or raised areas.
- ★ If the damage is not repairable, replace the throttle body and/or the inlet manifold to prevent leakage.
- With a high-flash point solvent, clean off the mating surfaces and wipe dry.
- Be sure to install the dowel pins [B].
- Fit the new gasket [C] into the groove. Be careful not to pinch the gasket between the mating surfaces.
- Tighten the flange bolts evenly.

Torque - Throttle Body Flange Bolts: 4.9 N·m (0.50 kgf·m, 43 in·lb)

- Turn the throttle pulley [A] to check that the throttle valves [B] move smoothly and return by spring force.
- ★ If the throttle valves do not move smoothly, replace the throttle body.

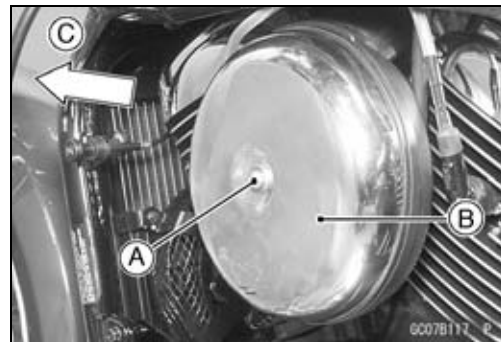


3-102 FUEL SYSTEM (DFI)

Air Cleaner

Air Cleaner Element Removal

- Remove:
 - Allen Bolt and Washer [A]
 - Left Air Cleaner Cover [B]
 - Front [C]



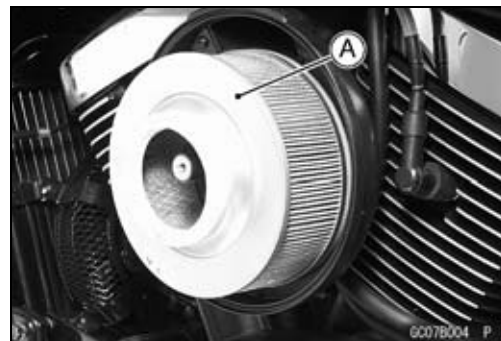
- Remove the element [A].
- Push a clean, lint-free towel into the lower air cleaner duct to keep dirt or other foreign material from entering.

⚠ WARNING

If dirt or dust is allowed to pass through into the throttle assy, the throttle may become stuck, possibly causing an accident.

CAUTION

If dirt gets through into the engine, excessive engine wear and possibly engine damage will occur.

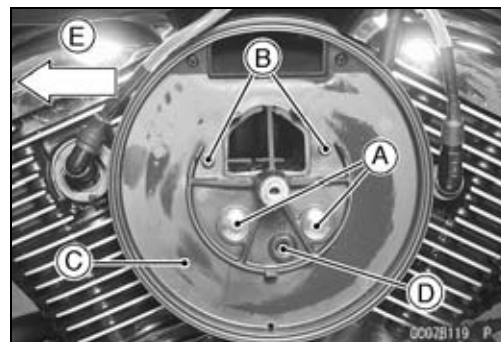


Air Cleaner Element Cleaning

- Refer to Air Cleaner Element Cleaning in the Periodic Maintenance chapter.

Left Air Cleaner Housing Removal/Installation

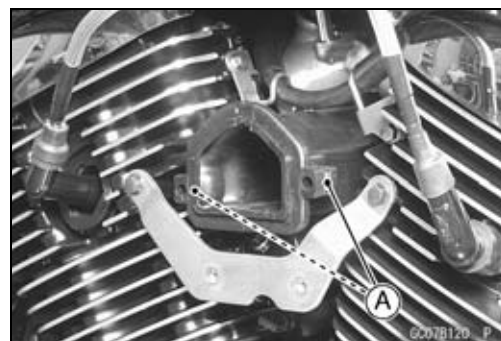
- Remove:
 - Air Cleaner Element (see Air Cleaner Element Removal)
 - Air Cleaner Base Bolts [A] and Screws [B]
- Remove the air cleaner base [C] and pull out the evaporative emission hose [D] (California Model).
 - Front [E]



- Be careful not to lose the air cleaner base mounting nuts [A]. These nuts and lower air cleaner duct are sold as a unit.

- Apply:
 - Non-permanent Locking Agent -**
 - Air Cleaner Base Screws**

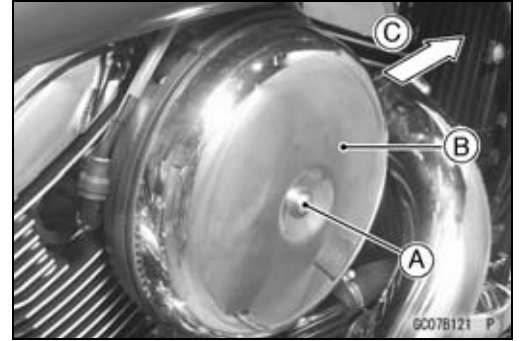
- Tighten:
 - Torque - Left Air Cleaner Base Bolts: 11 N·m (1.1 kgf·m, 97 in·lb)**
 - Left Air Cleaner Base Screws: 2.2 N·m (0.22 kgf·m, 19 in·lb)**
 - Left Air Cleaner Cover Allen Bolt: 16 N·m (1.6 kgf·m, 12 ft·lb)**



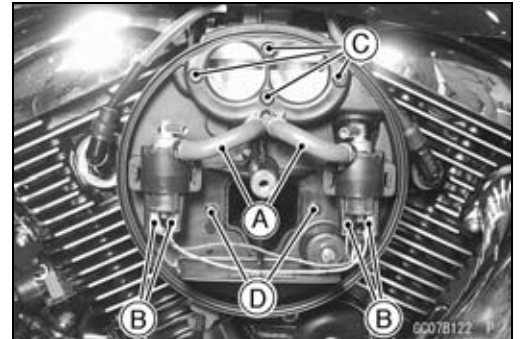
Air Cleaner

Right Air Cleaner Housing Removal

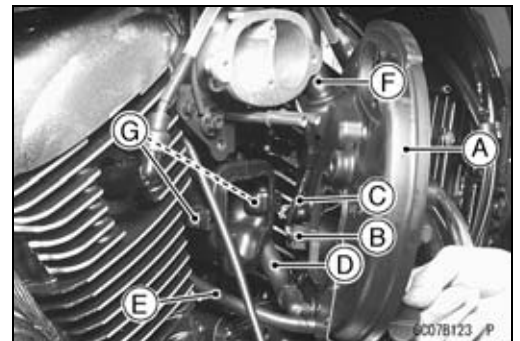
- Remove:
 - Allen Bolt and Washer [A]
 - Right Air Cleaner Cover [B]
 - Front [C]



- Remove:
 - ISC Valve Hoses [A]
 - ISC Valve Lead Connectors [B]
 - Air Cleaner Allen Bolts [C] and Screws [D]
 - Air Cleaner Base Bolt [E]



- Remove:
 - Air Cleaner Base [A]
 - Inlet Air Temperature Sensor Connector [B]
 - ISC Valve Leads [C]
 - Crankcase Breather Hose [D]
 - Air Cleaner Drain Hose [E] (separate from the base [A])
 - Vacuum Switch Valve Air Hose [F]
- Be careful not to lose the air cleaner base mounting nuts [G]. These nuts and lower air cleaner duct are sold as a unit.

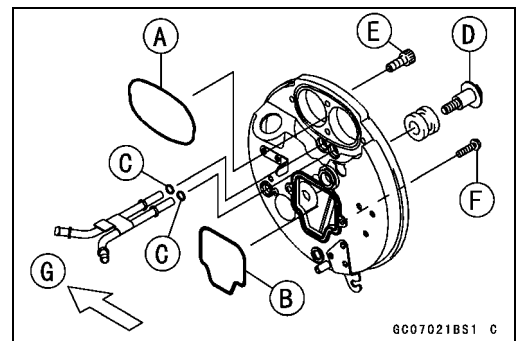


Right Air Cleaner Housing Installation

- Check to see that the seals [A], [B] and the ISC pipe O-rings [C] are in place.
- Apply:
 - Non-permanent Locking Agent -**
 - Right Air Cleaner Base Screws**

- Tighten:
 - Torque - Right Air Cleaner Base Bolt [D]: 11 N·m (1.1 kgf·m, 97 in·lb),**
 - Right Air Cleaner Allen Bolts [E]: 11 N·m (1.1 kgf·m, 97 in·lb),**
 - Right Air Cleaner Base Screws [F]: 2.2 N·m (0.22 kgf·m, 19 in·lb)**

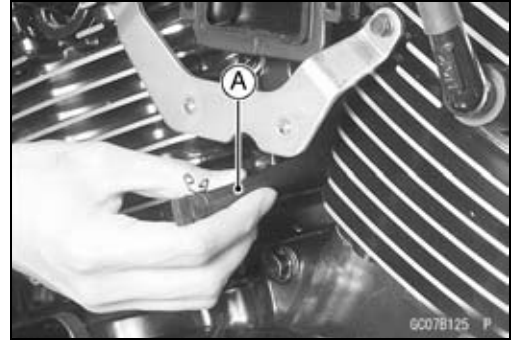
Front [G]



3-104 FUEL SYSTEM (DFI)

Air Cleaner

★ If the air cleaner drain hose [A] has been removed with it attached to the right air cleaner base, pull the drain hose off the right air cleaner base. Remove the left air cleaner base and insert the drain hose under the lower air cleaner duct.



- Install the inlet air temperature sensor [A], the ISC valve #2 [B], ISC valve #1 [C], and the crankcase breather hose [D].

- Tighten:

Torque - Inlet Air Temperature Sensor Nut [E]: 7.8 N·m (0.80 kgf·m, 69 in·lb)

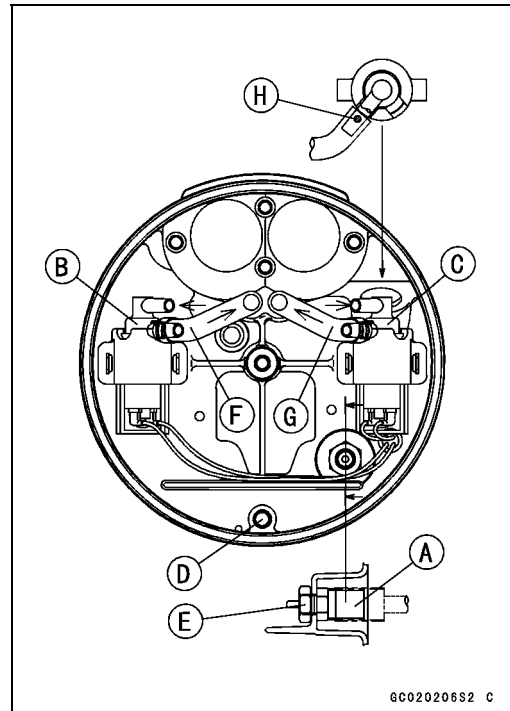
- The ISC valve #2 is connected to W/R and G/Y leads, and the hose [F] marked red.

- The ISC valve #1 is connected to W/R and G/BL leads, and the hose [G] marked blue.

- The ISC valve #1 and #2 are the same parts. Top Marks [H]

- Tighten:

Torque - Right Air Cleaner Cover Allen Bolt: 16 N·m (1.6 kgf·m, 12 ft·lb)



Lower Air Cleaner Duct Removal/Installation

- Remove:

- Right and Left Air Cleaner Housing (see this chapter)

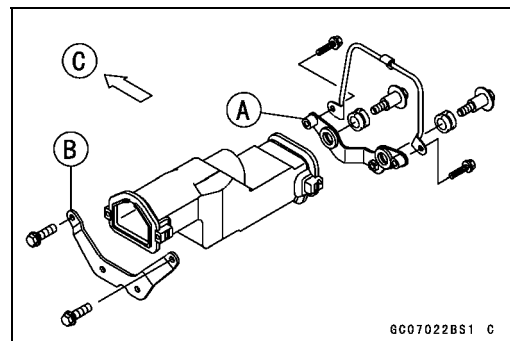
- Throttle Body Assy Holder [A]

- Air Cleaner Duct Holder [B]

- Throttle Body Assy (see this chapter)

- Inlet Manifold (see this chapter)

- Front [C]



- Remove:

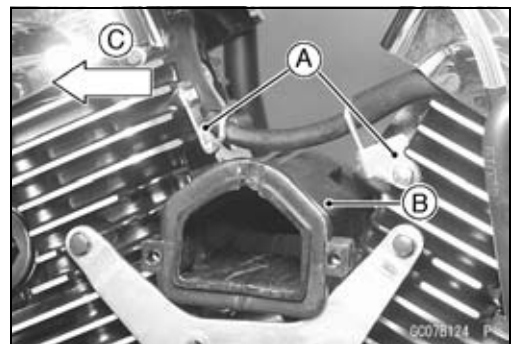
- Oil Hose Clamps [A]

- Lower Air Cleaner Duct [B]

- Front [C]

- Tighten:

Torque - Air Cleaner Duct Holder Bolts: 9.8 N·m (1.0 kgf·m, 87 in·lb)



Fuel Tank

Fuel Tank Removal

⚠ WARNING

Gasoline is extremely flammable and can be explosive under certain conditions. Make sure the area is well-ventilated and free from any source of flame or sparks; this includes any appliance with a pilot light. Do not smoke. Turn the ignition switch OFF and disconnect the battery (-) terminal.

To avoid fire, do not remove the fuel tank when the engine is still hot. Wait until it cools down.

To make fuel spillage minimum, draw the fuel out from the fuel tank with a pump as much as possible when the engine is cold.

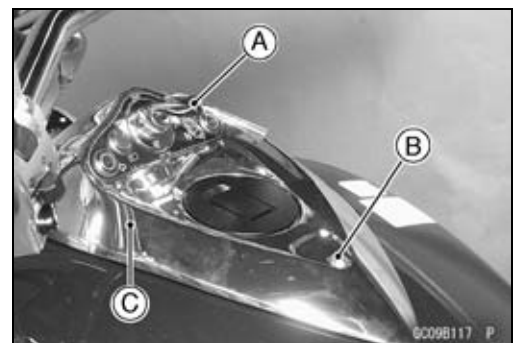
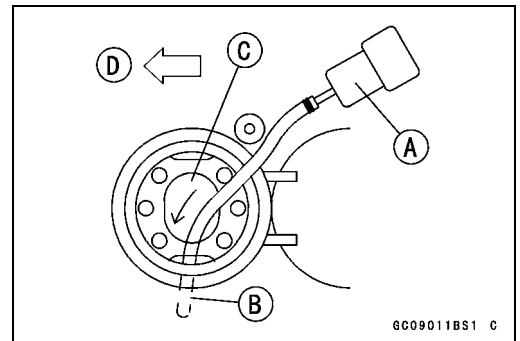
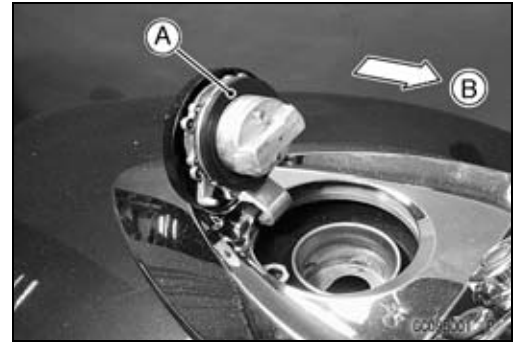
Be prepared for fuel spillage; any spilled fuel must be completely wiped up immediately.

- Turn both ignition switch, and engine stop switch OFF.
- Wait until the engine cools down.
- Open the fuel tank cap [A] to lower the pressure in the tank.
Front [B]
- During tank removal, keep the tank cap open to release pressure in the tank. This makes fuel spillage less.
- Draw the fuel out from the fuel tank with a commercially available electric pump [A].
- Use a soft plastic hose [B] as a pump inlet hose in order to insert the hose smoothly.
- Put the hose through the fill opening [C] into one side of the tank bottom and draw the fuel out.
Front [D]
- Draw the fuel from the other side of the tank bottom in the same way.

⚠ WARNING

The fuel could not be removed completely from the fuel tank. Be careful for remained fuel spillage.

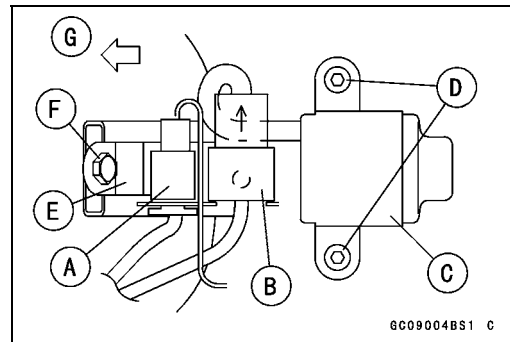
- Pull the ignition switch key [A] out.
- Remove the Allen bolt [B], pull the indicator unit [C] backward a little, and take it off from the fuel tank.



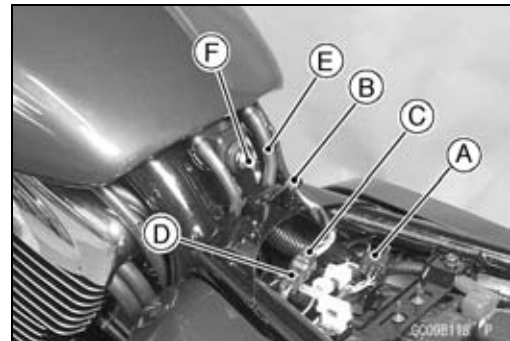
3-106 FUEL SYSTEM (DFI)

Fuel Tank

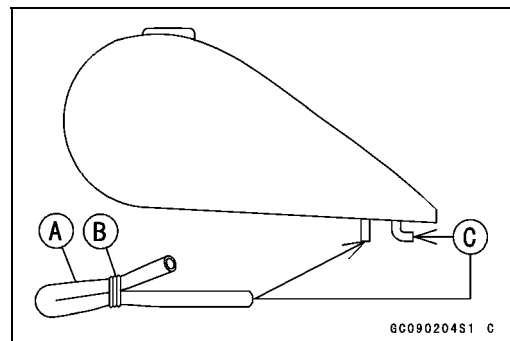
- Disconnect:
 - Indicator Unit Connector [A]
 - Ignition Switch Connector [B]
- Remove:
 - Ignition Switch [C] and Screws [D]
 - Bracket [E] and Bolt [F]
 - Front [G]



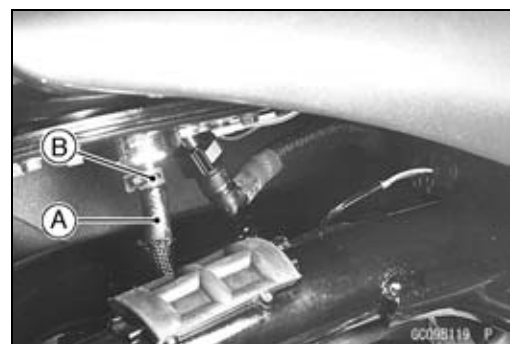
- Remove the seat (see Frame chapter).
- Disconnect the battery (-) terminal [A].
- Open the fuel pump lead clamp [B].
- Raise the lock [C] and disconnect the fuel pump connector [D] (black, 4p).
- The fuel pump connector has fuel pump leads and fuel reserve switch leads.
- Remove the breather hose [E] and fuel tank bolt [F].



- Prepare rubber hoses of the inside diameter 5 ~ 5.8 mm (e.g. Rubber Tube: Part No. 92191-1272) × L about 80 mm and make plug hoses [A] of the rubber hose with one end tied with a wire [B].
- Raise the rear of the tank up, and disconnect the hoses on the bottom.
- Plug these pipes [C] with two plug hoses to prevent fuel spillage.



- While lifting the rear of the tank up, stuff a clean shop towel around the fuel return fuel hose [A] so that the fuel doesn't leak onto the engine top (rear view).
- Slide down the clamp [B] and pull the fuel return hose off the fuel inlet pipe of the fuel tank.

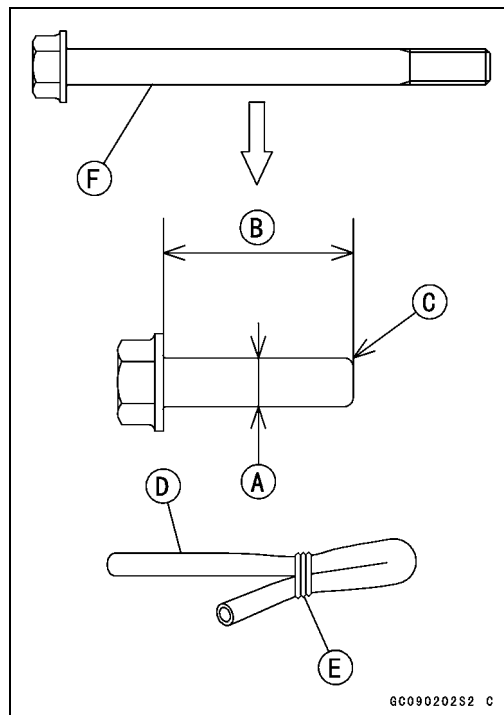


Fuel Tank

- Prepare a $\phi 8$ mm plug ($\phi 7.8 \sim 8.0$ mm [A] \times L 35 mm [B] with a rounded end [C]), and a 7.3 ~ 7.5 mm inside diameter fuel hose [D] (e.g. Part No. 92191-1264).
- The $\phi 8$ mm plug can be made by cutting the threaded portion off a $\phi 8$ mm bolt [F] (e.g. Part No. 92151-1444).
- Make a plug hose \times L about 100 mm of the fuel hose with one end tied with a wire [E]. Do not leave the threaded portion.

⚠ WARNING

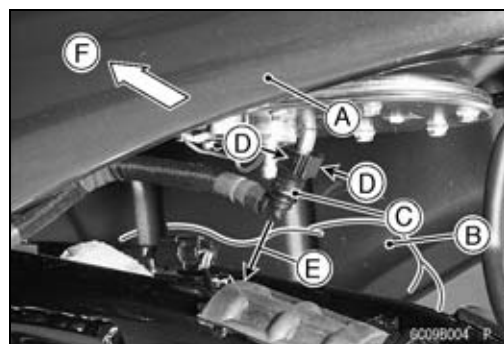
Check the outer circumference of the $\phi 8$ mm plug for no threads, no burrs, no sharp edges, and no rust. Since these defects spoil the O-rings in the fuel hose joint, causing fuel leak and leading to an accident.



- Raise the fuel tank [A] up, and make sure that the shop towel [B] is around the fuel outlet hose joint #1 [C].
- While pinching the hose joint locks [D] with fingers, pull [E] the joint out along the fuel outlet pipe, and quickly plug the tank outlet pipe with the plug hose. Plug the joint hole with the $\phi 8$ mm plug [G] at once.

Front [F]

- Remove the fuel outlet hose, and quickly install the plug hose, and $\phi 8$ mm plug.



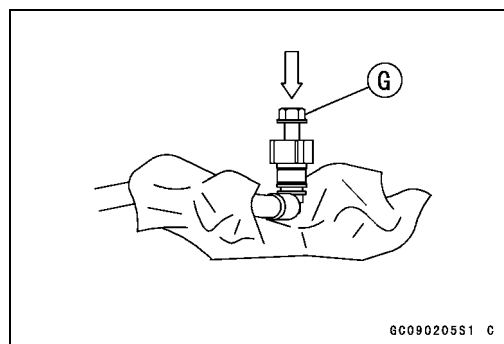
⚠ WARNING

Immediately wipe up fuel that spills.

- Close the fuel tank cap.
- Remove the fuel tank from the vehicle, and place it on a flat surface.

CAUTION

For California model, if gasoline, solvent, water or any other liquid enters the canister, the canister's vapor absorbing capacity is greatly reduced. If the canister does become contaminated, replace it with a new one.



- For California Model, note the following:
- Be sure to plug the evaporative fuel return hose to prevent fuel spilling before fuel tank removal.

⚠ WARNING

For California model, be careful not to spill the gasoline through the return hose. Spilled fuel is hazardous.

- ★ If liquid or gasoline flows into the breather hose, remove the hose and blow it clean with compressed air (California model).

3-108 FUEL SYSTEM (DFI)

Fuel Tank

- Be careful of fuel spillage from the fuel tank since fuel still remains in the fuel tank and fuel pump.

⚠ WARNING

Store the fuel tank in an area which is well-ventilated and free from any source of flame or sparks. Do not smoke in this area. Place the fuel tank on a flat surface and plug the fuel pipes to prevent fuel leakage.

Fuel Tank Installation

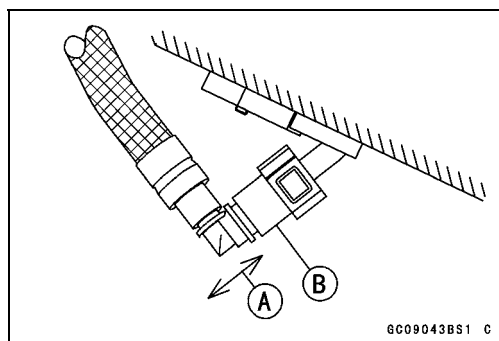
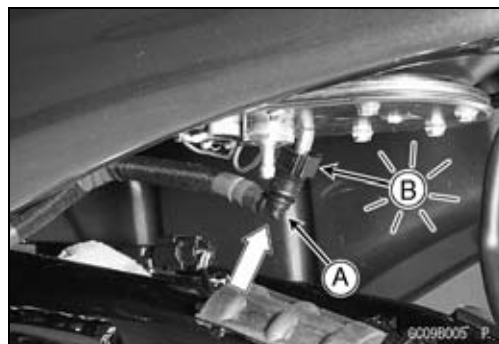
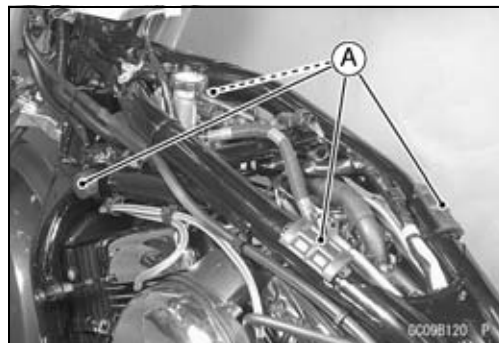
- Read the above WARNING (see Fuel Tank Removal).
- Route the hoses correctly (see Appendix chapter).
- Check that the rubber dampers [A] are on the frame.
- Check that rubber dampers are in place on the fuel tank too.
- ★ If the dampers are damaged or deteriorated, replace them.
- Remove the plug hoses, and $\phi 8$ mm plug, then quickly install the fuel hoses one by one.
- For California Model, note the following:
 - To prevent the gasoline from flowing into or out of the canister, hold the separator perpendicular to the ground.
 - Connect the hoses according to the diagram of the system (see Cable, Wire, and Hose Routing section in the Appendix chapter). Make sure they do not get pinched or kinked.
 - Route hoses with a minimum of bending so that the air or vapor will not be obstructed.
- Fit the outlet hose joint #1 [A] onto the outlet pipe until the joint clicks [B].
- Insert the hose joint straight along the outlet pipe.

- Push and pull [A] the hose joint [B] back and forth more than two times and make sure it is locked and doesn't come off. When the hose joint is correctly installed, it should slide on the delivery pipe about 5 mm (0.2 in.).

⚠ WARNING

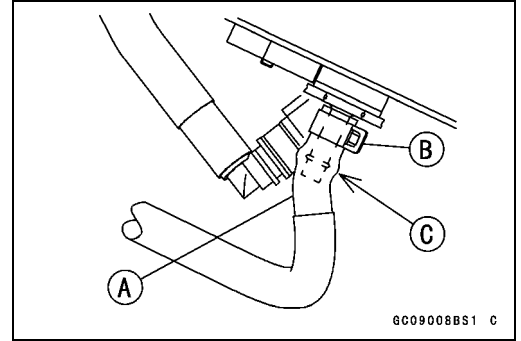
Make sure the hose joints installed correctly on the delivery pipe by sliding the joint, or the fuel could leak.

- ★ If it does not slide, reinstall the hose joint.

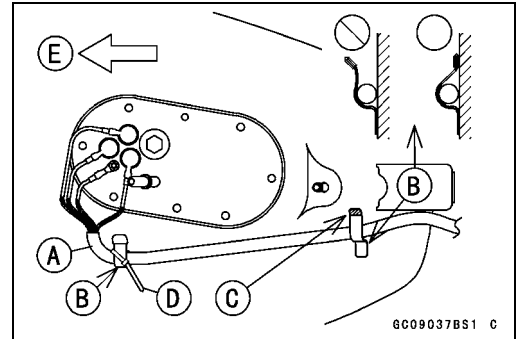


Fuel Tank

- Fit the fuel return hose [A] onto the pipe fully and install the plate clamp [B] beyond the raised rib [C].



- Secure the fuel pump leads [A] with the clamps [B].
- Press the clamps flat by hands against the fuel tank bottom.
- Make sure that the end of each clamp is covered with a plastic cap [C] and touches the fuel tank bottom.
- Clamp the fuel pump leads and clamp on the fuel tank bottom as shown with the strap [D].
- Connect portion of strap push in the fuel tank bottom side. Must not cut off the strap end.
Front [E]

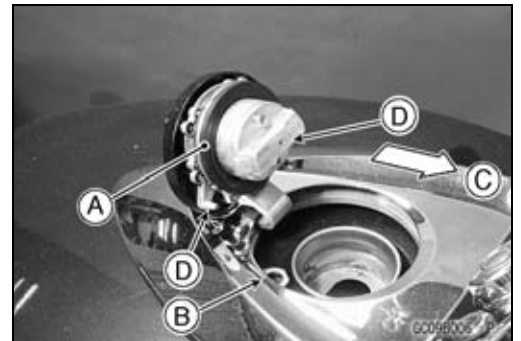


CAUTION
Lack of the clamp cap and protruding of these clamps could damage the electrical harness.

- Connect the fuel pump connector and the battery (-) lead terminal.
- Install the fuel tank and the indicator unit.

Fuel Tank and Cap Inspection

- Visually inspect the gasket [A] on the tank cap for any damage.
- ★ Replace the gasket if it is damaged.
- Check to see if the breather pipe [B] in the tank is not clogged.
- ★ If the breather pipe is clogged, blow the breather free with compressed air.
Front [C]



CAUTION
Do not apply compressed air to the air vent holes [D] in the tank cap. This could damage and clog the labyrinth in the cap.

3-110 FUEL SYSTEM (DFI)

Fuel Tank

Fuel Tank Cleaning

⚠ WARNING

Clean the tank in a well-ventilated area, and take care that there are no sparks or flame anywhere near the working area. Because of the danger of highly flammable liquids, do not use gasoline or low-flash point solvent to clean the tank.

- Remove the fuel tank (see this chapter).
- Remove the fuel pump and the return fuel check valve from the fuel tank (see Fuel Pump section in this chapter).
- Fill the fuel tank with some high-flash point solvent, and shake the tank to remove dirt and fuel deposits.
- Draw the solvent out of the tank.
- Dry the tank with compressed air.
- Install the return fuel check valve (see Return Fuel Check Valve Inspection) and the fuel pump on the fuel tank (see this chapter).
- Install the fuel tank (see Fuel Tank Installation).

Return Fuel Check Valve Inspection

- Remove the fuel tank (see this chapter).
- Place the fuel tank upside down.
- Unscrew the check valve [A].

- Check to see if the valve [A] slides smoothly when pushing it in with a wooden or other soft rod, and see if it comes back to its seat by pressure of the spring [B].

NOTE

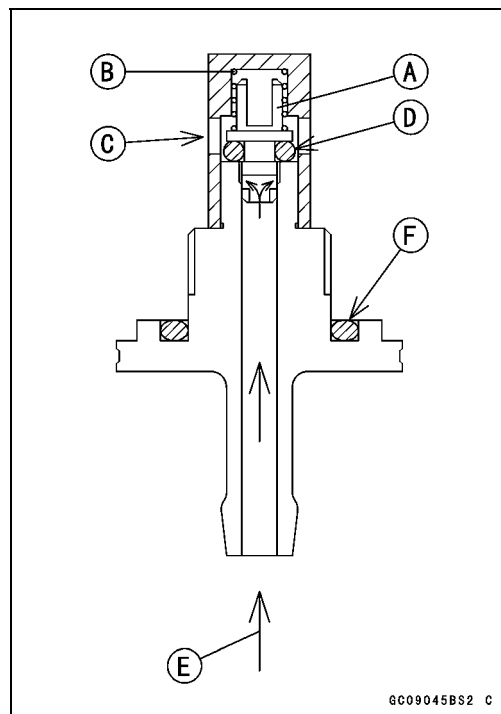
○Inspect the valve in its assembled state. Disassembly and assembly may change the valve performance.

CAUTION

Do not try to move the valve through the side hole [C]. This could damage the O-ring [D] or spoil the valve operation.

- ★If any rough spots are found during above inspection, wash the valve clean with a high-flash point solvent in a well-ventilated area and blow out any foreign particles that may be in the valve with compressed air through the pipe [E].
- Take care that there is no spark or flame anywhere near the working area.
- ★If cleaning does not solve the problem, replace the check valve as an assembly along with the O-ring [F].
- Tighten:

Torque - Return Fuel Check Valve: 20 N·m (2.0 kgf·m, 15 ft·lb)



Evaporative Emission Control System

The Evaporative Emission Control System for California Model routes fuel vapors from the fuel system into the running engine or stores the vapors in a canister when the engine is stopped. Although no adjustments are required, a thorough visual inspection must be made at the intervals specified by the Periodic Maintenance Chart.

Parts Removal/Installation

⚠ WARNING

Gasoline is extremely flammable and can be explosive under certain conditions. Make sure the area is well-ventilated and free from any source of flame or sparks; this includes any appliance with a pilot light. Do not smoke. Turn the ignition switch OFF.

CAUTION

If gasoline, solvent, water or any other liquid enters the canister, the canister's vapor absorbing capacity is greatly reduced. If the canister does become contaminated, replace it with a new one.

- To prevent the gasoline from flowing into or out of the canister, hold the separator perpendicular to the ground.
- Be sure to plug the return hose to prevent fuel spilling before fuel tank removal.

⚠ WARNING

When removing the fuel tank, be careful not to spill the gasoline through the return hose. Spilled fuel is hazardous.

- ★ If liquid or gasoline flows into the breather hose, remove the hose and blow it clean with compressed air.
- Connect the hoses according to the diagram of the system (see Cable, Wire, and Hose Routing section in the Appendix chapter). Make sure they do not get pinched or kinked.
- Route hoses with a minimum of bending so that the air or vapor will not be obstructed.

Canister Installation

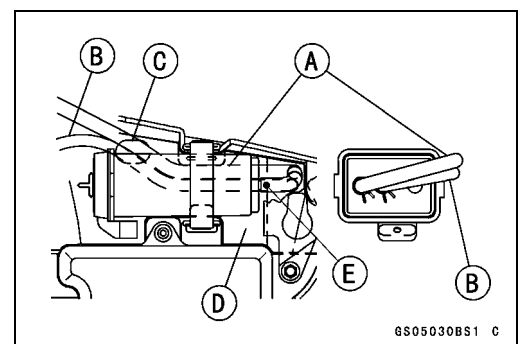
- Run the purge hose (green) [A] above the canister breather hose (blue) [B] through the hole [C] into the tool case [D].
- Do not run these hoses side by side on the battery side of the canister. This prevents hoses from being flattened when installing the left side cover.
- Install the canister and the left side cover (see Frame chapter).
- Face the white mark [E] left as shown.

Canister Inspection (Periodic Inspection)

- Refer to Evaporative Emission Control System Inspection in the Periodic Maintenance Chapter.

Separator Inspection (Periodic Inspection)

- Refer to Evaporative Emission Control System Inspection in the Periodic Maintenance Chapter.



3-112 FUEL SYSTEM (DFI)

Evaporative Emission Control System

Hose Inspection (Periodic Inspection)

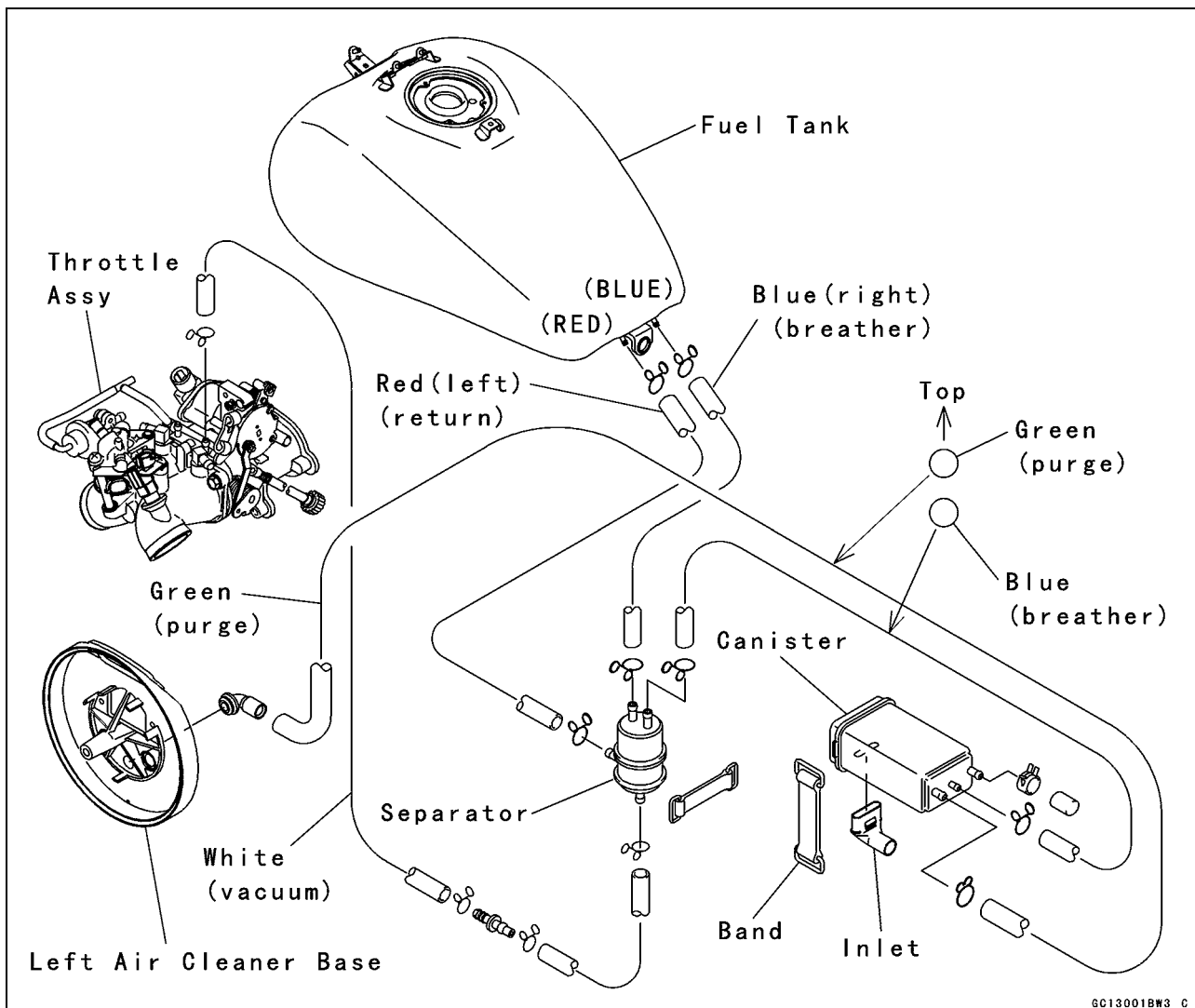
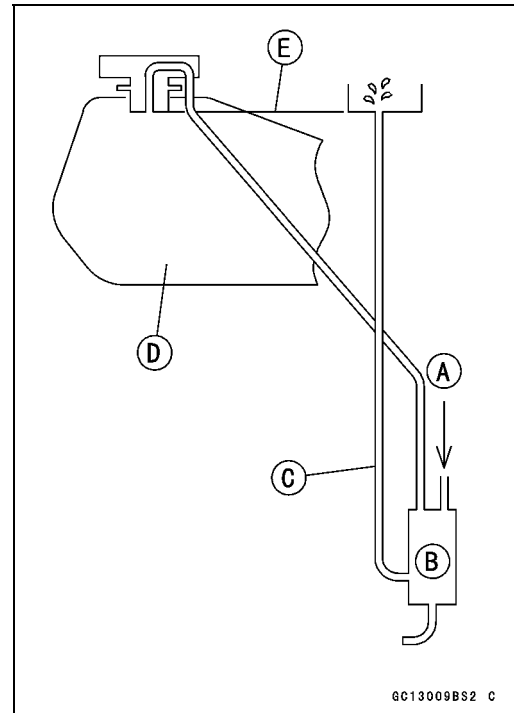
- Refer to Evaporative Emission Control System Inspection in the Periodic Maintenance Chapter.

Separator Operation Test

⚠ WARNING

Gasoline is extremely flammable and can be explosive under certain conditions. Make sure the area is well-ventilated and free from any source of flame or sparks; this includes any appliance with a pilot light. Do not smoke. Turn the ignition switch OFF.

- Remove the seat and left side cover (see Frame chapter).
- Connect the hoses to the separator.
- Disconnect the breather hose from the separator, and inject about **20 mL** of gasoline [A] into the separator [B] through the hose fitting.
- Disconnect the evaporative fuel return hose [C] from the fuel tank [D]
- Run the open end of the return hose into the container level with the tank top [E].
- Start the engine, and let it idle.
- ★ If the gasoline in the separator comes out of the hose, the separator works well. If it does not, replace the separator with a new one.



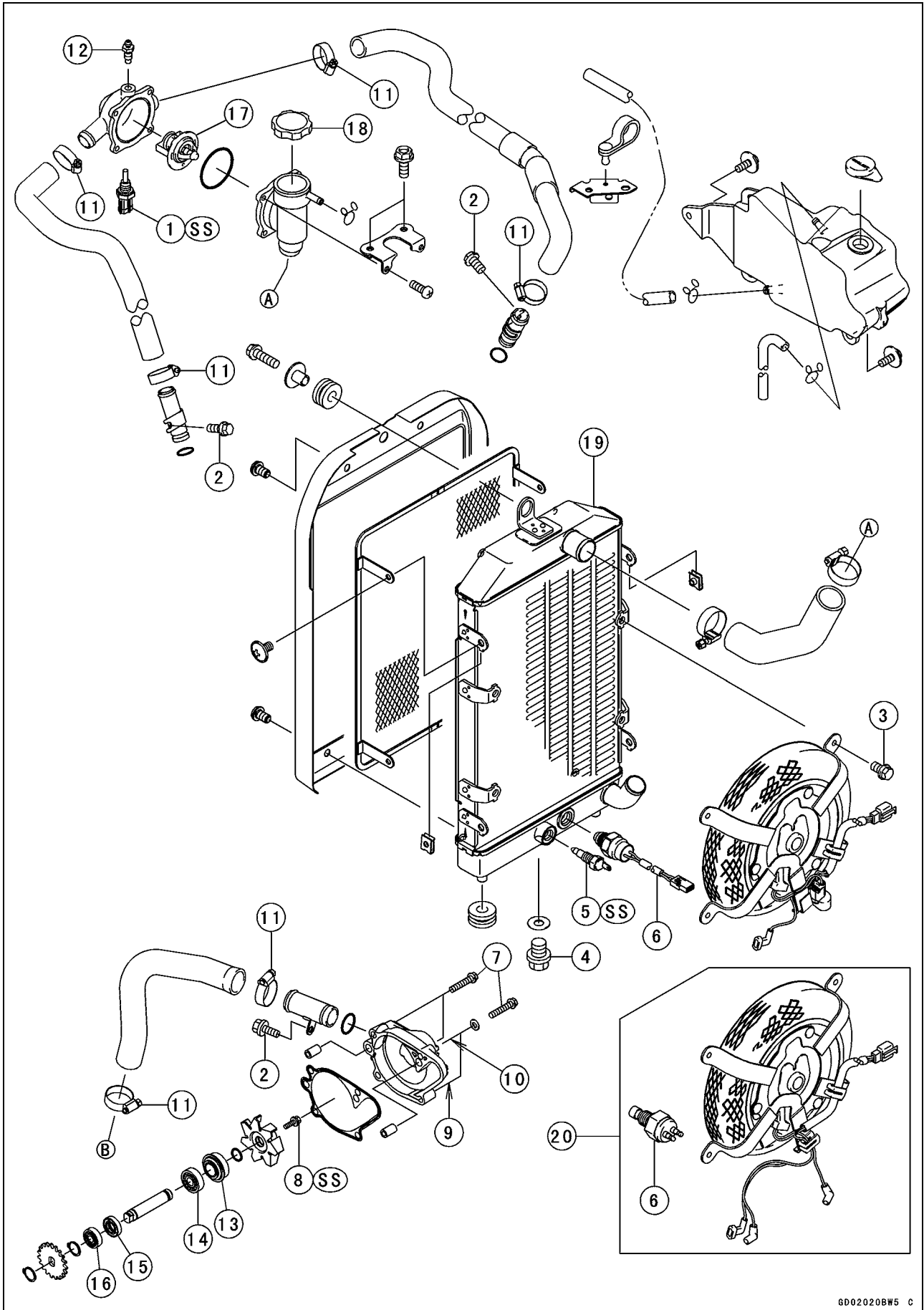
Cooling System

Table of Contents

Exploded View	4-2
Coolant Flow Chart.....	4-4
Specifications	4-6
Special Tools and Sealant	4-7
Coolant	4-8
Coolant Deterioration Inspection.....	4-8
Coolant Level Inspection.....	4-8
Coolant Draining	4-8
Coolant Filling	4-8
Pressure Testing	4-9
Cooling System Flushing	4-9
Water Pump.....	4-10
Water Pump Removal.....	4-10
Water Pump Installation.....	4-10
Water Pump Inspection.....	4-11
Mechanical Seal Replacement	4-11
Radiator	4-14
Radiator Removal	4-14
Radiator Installation	4-15
Radiator Inspection.....	4-15
Radiator Cap Inspection	4-16
Radiator Filler Neck Inspection.....	4-16
Thermostat	4-17
Thermostat Removal.....	4-17
Thermostat Installation.....	4-17
Thermostat Inspection	4-17
Hoses and Pipes	4-18
Hose Installation	4-18
Hose Inspection	4-18

4-2 COOLING SYSTEM

Exploded View



Exploded View

No.	Fastener	Torque			Remarks
		N·m	kgf·m	ft·lb	
1	Water Temperature Sensor (DFI)	18	1.8	13	SS
2	Water Pipe Bolts	11	1.1	97 in·lb	
3	Radiator Fan Bolts	8.3	0.85	74 in·lb	
4	Radiator Drain Bolt	2.2	0.22	19 in·lb	
5	Water Temperature Switch	7.8	0.80	69 in·lb	SS
6	Radiator Fan Switch	18	1.8	13	
7	Water Pump Cover Bolts	11	1.1	97 in·lb	
8	Water Pump Impeller Bolt	8.8	0.90	78 in·lb	Lh
9	Water Pump Drain Bolt	11	1.1	97 in·lb	
10	Water Pump Air Bleeder Bolt	11	1.1	97 in·lb	
11	Radiator Hose Clamp Screws	2.5	0.25	22 in·lb	
12	Thermostat Air Bleeder Bolt	7.8	0.80	69 in·lb	

- 13. Mechanical seal
- 14. Double seal bearing
- 15. Oil seal
- 16. Ball bearing
- 17. Thermostat
- 18. Radiator cap
- 19. Radiator
- 20. E/G No.: ~ VNT60AE010702
- G: Apply grease.
- Lh: Left-hand threads
- R: Replacement parts
- SS: Apply silicone sealant (Kawasaki Bond: 56019-120).

4-4 COOLING SYSTEM

Coolant Flow Chart

Permanent type antifreeze is used as a coolant to protect the cooling system from rust and corrosion. When the engine starts, the water pump turns and the coolant circulates.

The thermostat is a wax pellet type which opens or closes as coolant temperature changes. The thermostat continuously changes its valve opening to keep the coolant temperature at the proper level. When coolant temperature is below 55°C (131°F), the thermostat closes so that the coolant flow is restricted through the air bleeder hole, causing the engine to warm up more quickly. When coolant temperature is more than 58 ~ 62°C (136 ~ 144°F), the thermostat opens and the coolant flows.

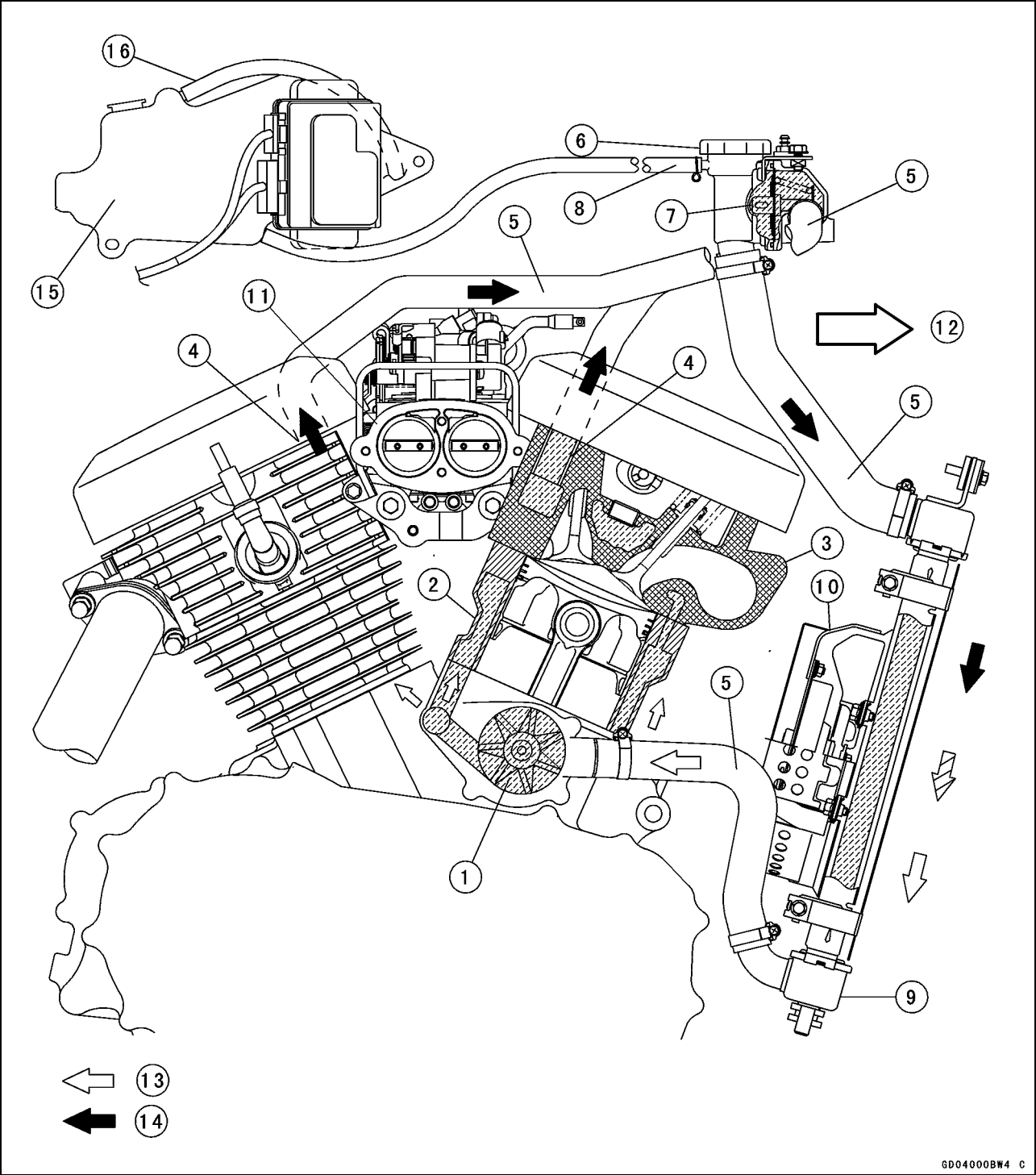
When the coolant temperature goes up beyond 102 ~ 108°C (216 ~ 226°F), the radiator fan switch conducts to operate the radiator fan. The radiator fan draws air through the radiator core when there is not sufficient air flow such as at low speeds. This increases up the cooling action of the radiator. When the temperature is beyond 98°C (208°F), the fan switch opens and the radiator fan stops.

In this way, this system controls the engine temperature within narrow limits where the engine operates most efficiently even if the engine load varies.

The system is pressurized by the radiator cap to suppress boiling and the resultant air bubbles which can cause engine overheating. As the engine warms up, the coolant in the radiator and the water jacket expands. The excess coolant flows through the radiator cap and hose to the reserve tank to be stored there temporarily. Conversely, as the engine cools down, the coolant in the radiator and the water jacket contracts, and the stored coolant flows back to the radiator from the reserve tank.

The radiator cap has two valves. One is a pressure valve which holds the pressure in the system when the engine is running. When the pressure exceeds 93 ~ 123 kPa (0.95 ~ 1.25 kgf/cm², 13.5 ~ 17.8 psi), the pressure valve opens and releases the pressure to the reserve tank. As soon as pressure escapes, the valve closes, and keeps the pressure at 93 ~ 123 kPa (0.95 ~ 1.25 kgf/cm², 13.5 ~ 17.8 psi). When the engine cools down, another small valve (vacuum valve) in the cap opens. As the coolant cools, the coolant contracts to form a vacuum in the system. The vacuum valve opens and allows the coolant from the reserve tank to enter the radiator.

Coolant Flow Chart



- 1. Water Pump
- 2. Water Jacket
- 3. Cylinder Head
- 4. Water Pipe
- 5. Radiator Hose
- 6. Radiator Cap
- 7. Thermostat
- 8. Reserve Tank Hose

- 9. Radiator
- 10. Radiator Fan
- 11. Throttle Body Assy
- 12. Front
- 13. Cold Coolant
- 14. Hot Coolant
- 15. Reserve Tank
- 16. Reserve Tank Overflow Hose

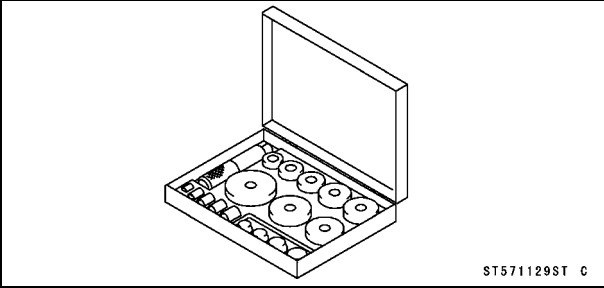
4-6 COOLING SYSTEM

Specifications

Coolant provided when shipping	
Type (Recommended)	Permanent type antifreeze (soft water and ethylene glycol plus corrosion and rust inhibitor chemicals for aluminum engines and radiators)
Color	Green
Mixed Ratio	Soft water 50%, coolant 50%
Freezing Point	-35°C (-31°F)
Total Amount	2.3 L (2.4 US qt., reserve tank full level including radiator and engine)
Radiator Cap	
Relief Pressure	93 ~ 123 kPa (0.95 ~ 1.25 kgf/cm ² , 13.5 ~ 17.8 psi)
Thermostat	
Valve Opening Temperature	58 ~ 62°C (136 ~ 144°F)
Valve Full Opening Lift	8 mm (0.3 in.) or more @75°C (167°F)

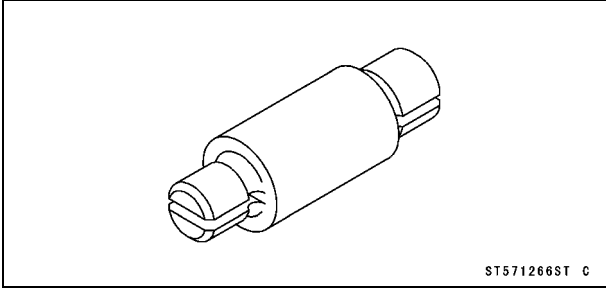
Special Tools and Sealant

Bearing Driver Set:
57001-1129



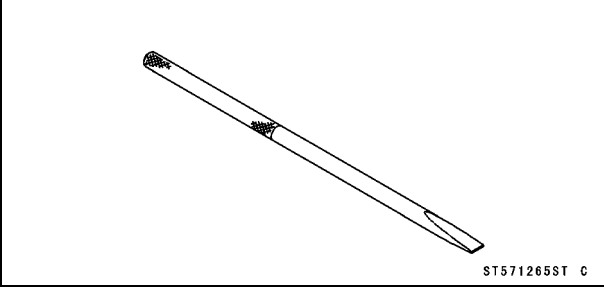
ST571129ST C

Bearing Remover Head, $\phi 10 \times \phi 12$:
57001-1266



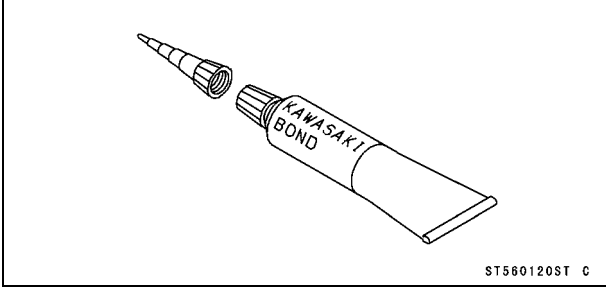
ST571266ST C

Bearing Remover Shaft, $\phi 9$:
57001-1265



ST571265ST C

Kawasaki Bond (Silicone Sealant):
56019-120



ST560120ST C

4-8 COOLING SYSTEM

Coolant

Coolant Deterioration Inspection

- Remove the right side cover (see Frame chapter).
- Visually inspect the coolant [A] in the reserve tank.
- ★ If whitish cotton-like wafts are observed, aluminum parts in the cooling system are corroded. If the coolant is brown, iron or steel parts are rusting. In either case, flush the cooling system.
- ★ If the coolant gives off an abnormal smell, check for a cooling system leak. It may be caused by exhaust gas leaking into the cooling system.

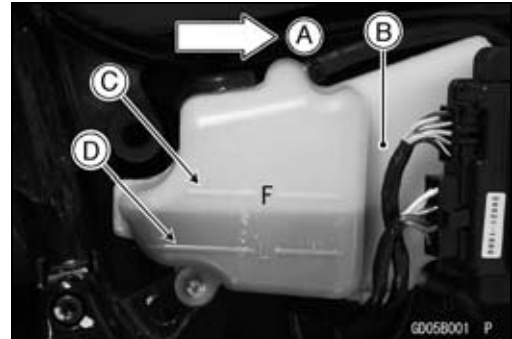


Coolant Level Inspection

NOTE

○ Check the level when the engine is cold (room or ambient temperature).

- Check the coolant level in the reserve tank with the motorcycle held upright. The coolant level should be between the "F" (full) level and the "L" (low) level (In the photo, the right side cover has been removed for clarity).
 - Front [A]
 - Reserve Tank [B]
 - "F" Level [C]
 - "L" Level [D]
- ★ If the coolant level is lower than the "L" level, remove the right side cover and the reserve tank cap, then add coolant to the "F" level.



CAUTION

For refilling, add the specified mixture of coolant and soft water. Adding water alone dilutes the coolant and degrades its anticorrosion properties. The diluted coolant can attack the aluminum engine parts. In an emergency, soft water can be added, but the diluted coolant must be returned to the correct mixture ratio within a few days.

If coolant must be added often or the reserve tank has run completely dry, there is probably leakage in the cooling system. Check the system for leaks.

Coolant ruins painted surfaces. Immediately wash away any coolant that spills on the frame, engine, wheels, or other painted parts.

Coolant Draining

- Refer to Coolant Change in the Periodic Maintenance Chapter.

Coolant Filling

- Refer to Coolant Change in the Periodic Maintenance Chapter.

Coolant

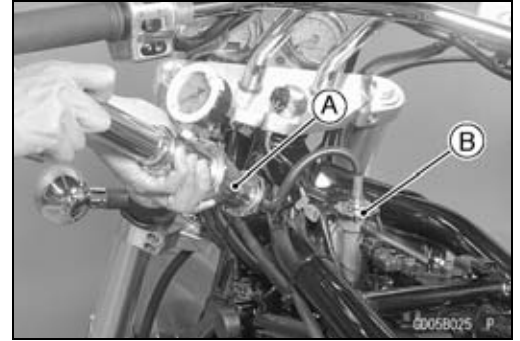
Pressure Testing

- Remove the fuel tank (see Fuel System chapter).
- Remove the radiator cap, and install a cooling system pressure tester [A] on the radiator filler neck [B].

NOTE

○ *Wet the cap sealing surfaces with water or coolant to prevent pressure leakage.*

- Build up pressure in the system carefully until the pressure reaches 123 kPa (1.25 kg/cm², 17.8 psi).



CAUTION

During pressure testing, do not exceed the pressure for which the system is designed. The maximum pressure is 123 kPa (1.25 kg/cm², 17.8 psi).

- Watch the gauge for at least 6 seconds.
- ★ If the pressure holds 93 kPa (0.95 kg/cm², 13.5 psi) or more, the system is all right.
- ★ If the pressure drops and no external source is found, check for internal leakage. Droplets in the engine oil indicate internal leakage. Check the cylinder head and cylinder gaskets and the water pump.
- Remove the pressure tester, replenish the coolant, and install the radiator cap.

Cooling System Flushing

Over a period of time, the cooling system accumulates rust, scale, and lime in the water jacket and radiator. When this accumulation is suspected or observed, flush the cooling system. If this accumulation is not removed, it will clog up the water passage and considerably reduce the efficiency of the cooling system.

- Drain the cooling system (see Coolant Change in the Periodic Maintenance chapter).
- Fill the cooling system with fresh water mixed with a flushing compound.

CAUTION

Do not use a flushing compound which is harmful to the aluminum engine and radiator. Carefully follow the instructions supplied by the manufacturer of the cleaning product.

- Warm up the engine, and run it at normal operating temperature for about ten minutes.
- Stop the engine, and drain the cooling system.
- Fill the system with fresh water.
- Warm up the engine and drain the system.
- Repeat the previous two steps once more.
- Fill the system with a permanent type coolant and bleed the air from the system (see Coolant Change in the Periodic Maintenance chapter).

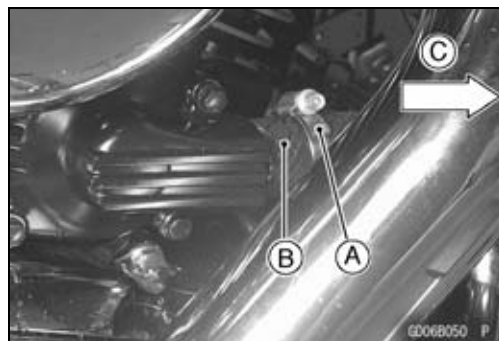
4-10 COOLING SYSTEM

Water Pump

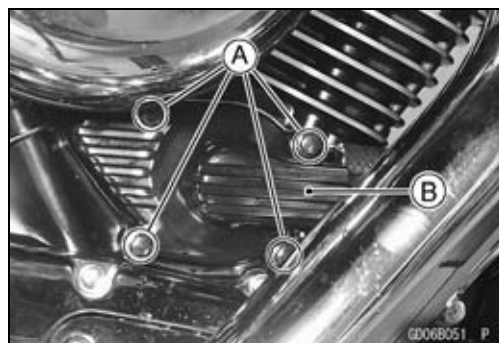
Water Pump Removal

- Drain the coolant (see Coolant Change in the Periodic Maintenance chapter).

- Remove:
 - Radiator Hose Clamp [A]
 - Radiator Hose [B]
 - Front [C]



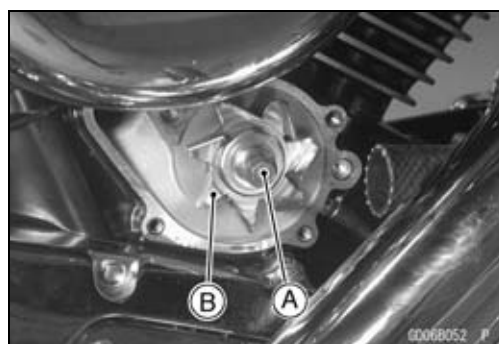
- Remove:
 - Water Pump Cover Bolts [A]
 - Water Pump Cover [B]



- Remove:
 - Impeller Bolt [A]
 - Impeller [B]

NOTE

○The impeller bolt has left-hand threads. Turn the bolt clockwise and remove it.

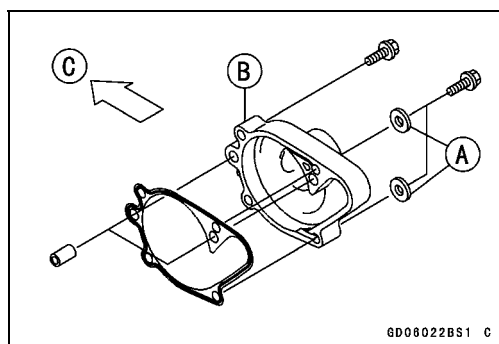


Water Pump Installation

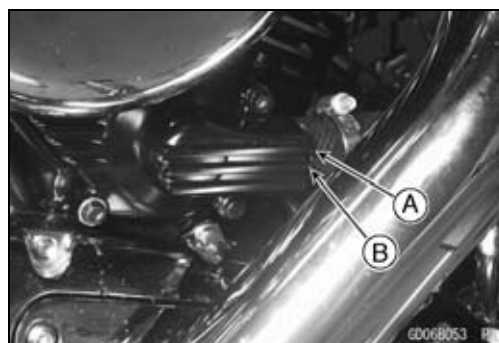
- There are aluminum washers [A] on rear side of the water pump cover [B]. Replace them with new ones when installing.

Front [C]

- Tighten:
 - Torque - Water Pump Cover Bolts: 11 N·m (1.1 kgf·m, 97 in·lb)**

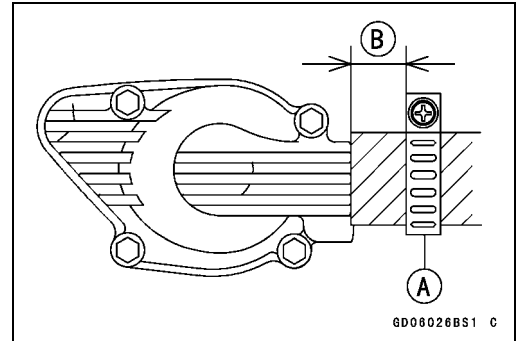


- Insert the pump inlet hose until the hose end [A] touches the pump inlet step [B].



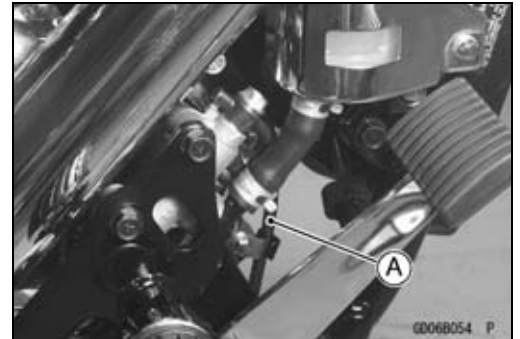
Water Pump

- Install the clamp [A] so that the clamp end is about 16 mm (0.63 in.) [B] apart from the pump inlet step. This prevents coolant leakage from the hose end.
- Tighten the hose clamp screw securely.



Water Pump Inspection

- Check the water pump drainage outlet hose [A] at the bottom of the water pump for coolant leakage.
- ★ If the mechanical seal is damaged, the coolant leaks through the seal and drain through the passage. Replace the mechanical seal.



- Visually inspect the impeller [A].
- ★ If the surface is corroded, or if the blades are damaged, replace the impeller.



Mechanical Seal Replacement

- Remove the water pump impeller (see Water Pump Removal in this chapter).
- Pry the mechanical seal flange off with a small chisel [A].
- Pull the mechanical seal out of the right crankcase with needle nose pliers. Discard the mechanical seal.



CAUTION

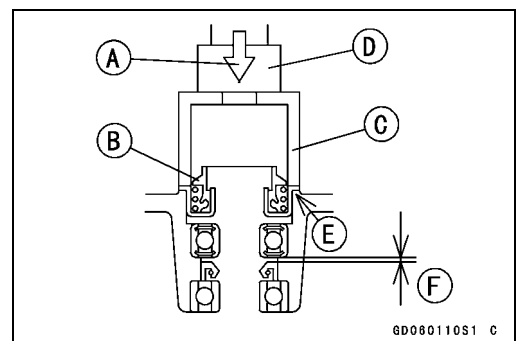
Be careful not to damage the water pump shaft and the inner sealing surface of the crankcase.

NOTE

○ Since the replacement mechanical seal has an adhesive coated body, do not apply a liquid gasket to the exterior surface of the body.

- Press [A] the mechanical seal [B] by using a suitable 28 mm socket [C] and a bearing driver [D] until its flange touches the step [E].
Gap [F]

Special Tool - Bearing Driver Set: 57001-1129



4-12 COOLING SYSTEM

Water Pump

★ If the coolant still leaks through the drainage outlet hose, the seal and ball bearings is probably damaged. Replace the mechanical seal, ball bearings, and oil seal by splitting the crankcase.

- Split the crankcase (see Crankshaft/Transmission chapter).
- Remove the water pump impeller.
- Pull out the water pump shaft from the inside of the right crankcase.
- Take the bearing [A] out of the right crankcase, using the bearing remover.

**Special Tools - Bearing Remover Shaft, $\phi 9$: 57001-1265 [B]
Bearing Remover Head, $\phi 10 \times \phi 12$: 57001-1266 [C]**

- Using a thin-bladed screwdriver, pry out the oil seal.
- Press out the mechanical seal [A] and ball bearing [B] from the inside of the right crankcase with the bearing driver set [C].

Special Tool - Bearing Driver Set: 57001-1129

○ Be sure to replace the mechanical seal, oil seal, O-ring, and ball bearings with new ones because these parts will be damaged by removal.

- Apply plenty of high temperature grease to the oil seal lips.
- Apply oil to the outer circumference of the oil seal.
- Press the oil seal [A] into the hole from the inside of the right crankcase with the bearing driver set so that the spring side of the seal lips is toward the inside of the crankcase.

Special Tool - Bearing Driver Set: 57001-1129

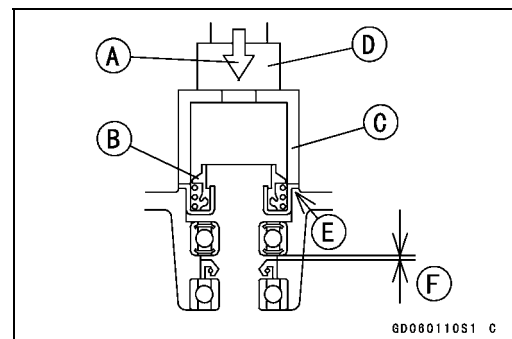
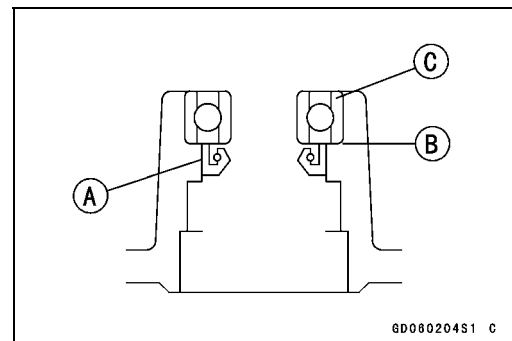
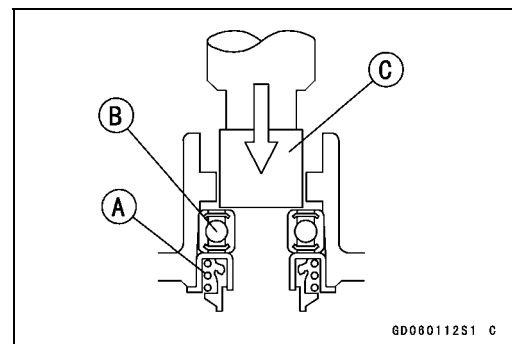
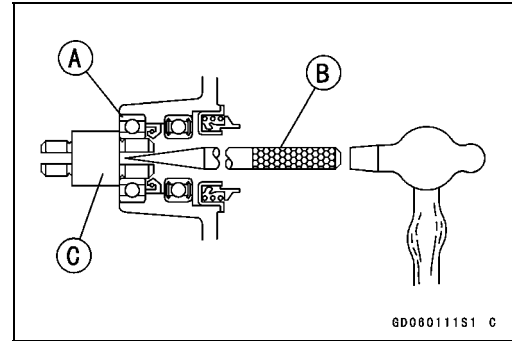
- Press the oil seal in until the seal end is even with step [B] of the hole as shown.
- Use the bearing driver which has a larger diameter than the oil seal.
- Press in each ball bearing [C] with its manufacturer's mark facing out until it bottoms out.

● Press [A] the mechanical seal [B] by using a suitable 28 mm socket [C] and a bearing driver [D] until its flange touches the step [E].

Gap [F]

- Install the water pump shaft from the inside of the right crankcase.

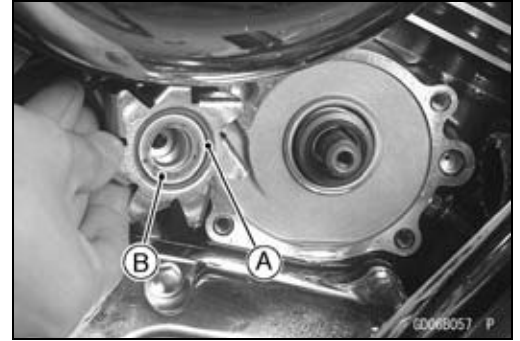
Special Tool - Bearing Driver Set: 57001-1129



Water Pump

- Clean both sliding surfaces of a new mechanical seal with a high-flash point solvent (e.g. ethyl alcohol), and apply a little coolant to the sliding surface to give the mechanical seal initial lubrication.
- Apply coolant to the surface of the rubber seal [A] and sealing seat [B], and press the rubber seal and sealing seat into the impeller by hand until the seat bottoms out.
- Tighten the water pump impeller bolt by turning the bolt counterclockwise.

Torque - Water Pump Impeller Bolt: 8.8 N·m (0.90 kgf·m, 78 in·lb)



4-14 COOLING SYSTEM

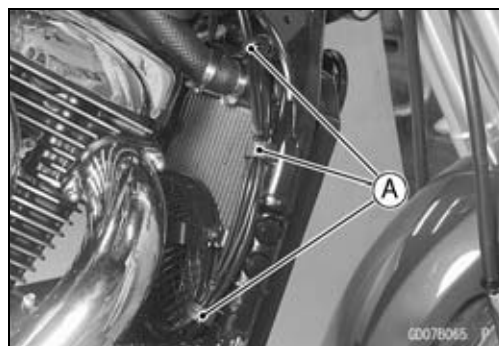
Radiator

⚠ WARNING

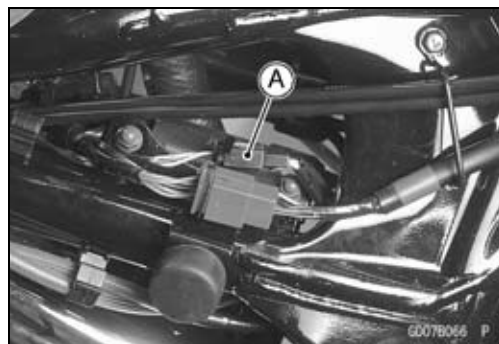
The radiator fan is connected directly to the battery. The radiator fan may start even if the ignition switch is off. **NEVER TOUCH THE RADIATOR FAN UNTIL THE RADIATOR FAN CONNECTOR IS DISCONNECTED. TOUCHING THE FAN BEFORE THE CONNECTOR IS DISCONNECTED COULD CAUSE INJURY FROM THE FAN BLADES.**

Radiator Removal

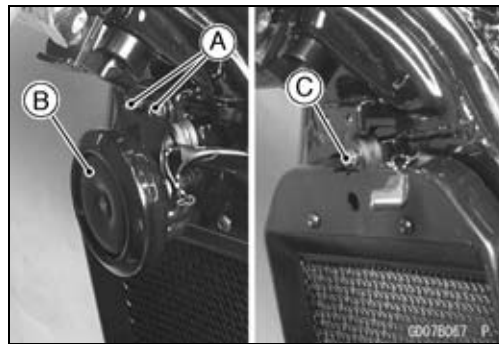
- Drain the coolant (see Coolant Change in the Periodic Maintenance chapter).
- Remove:
 - Fuel Tank (see Fuel System chapter.)
- Pry the plastic clamps [A].



- Remove:
 - Radiator Fan Motor Connector [A]
 - Radiator Hoses



- Disconnect the horn connectors.
- Unscrew the bolts [A] and remove the horn [B].
- Remove the mounting bolt [C].
- Lift up the radiator to clear the stoppers.
- Remove the radiator.

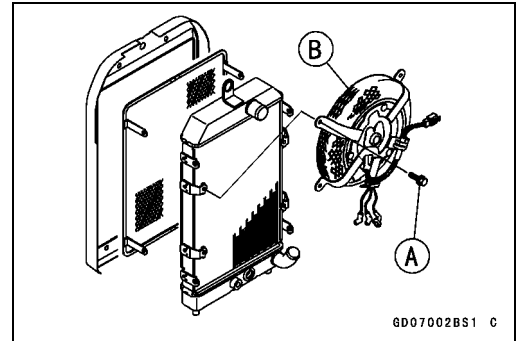


CAUTION

Do not touch the radiator core. This could damage the radiator fins, resulting in loss of cooling efficiency.

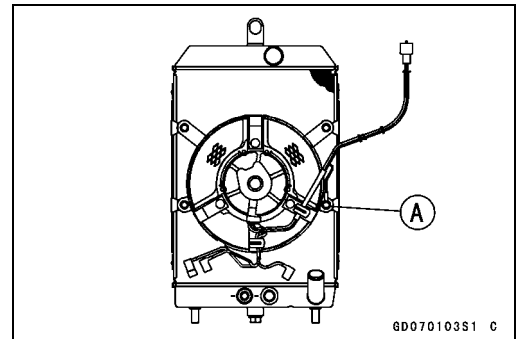
Radiator

- Remove:
 - Radiator Fan Bolts [A]
 - Radiator Fan [B]

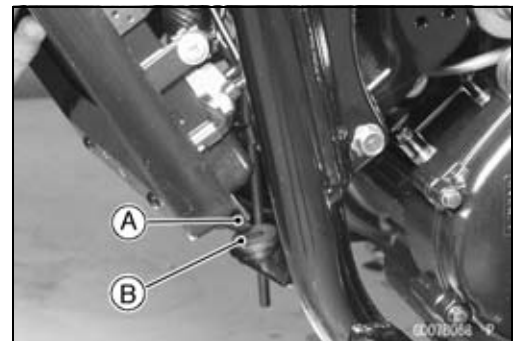


Radiator Installation

- Be sure to install the radiator fan ground lead terminal [A].
- Tighten:
 - Torque - Radiator Fan Bolts and Fan Ground Lead Terminal Bolt: 8.3 N·m (0.85 kgf·m, 74 in·lb)**

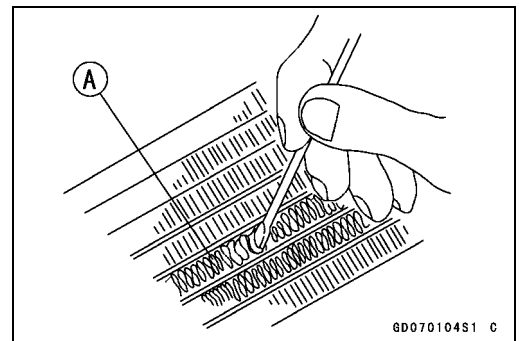


- Fit the radiator stoppers [A] into the right and left grommets [B].
- Install the pump inlet hose and position the hose clamp (see Water Pump Installation in this chapter).
- Tighten the hose clamp screw securely.



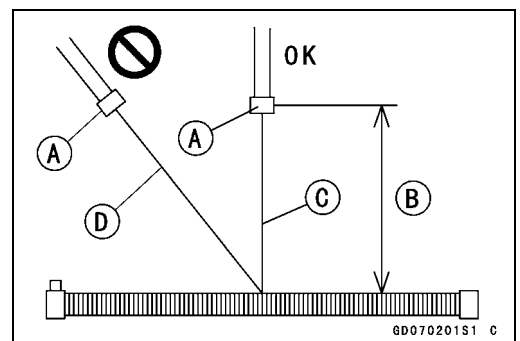
Radiator Inspection

- Check the radiator core.
 - ★ If there are obstructions to air flow, remove them.
 - ★ If the corrugated fins [A] are deformed, carefully straighten them.
 - ★ If the air passages of the radiator core are blocked more than **20%** by unremovable obstructions or irreparably deformed fins, replace the radiator with a new one.



CAUTION

When cleaning the radiator with steam cleaner, be careful of the following to prevent radiator damage. Keep the steam gun [A] away more than 0.5 m (19.7 in.) [B] from the radiator core. Hold the steam gun perpendicular [C] (not oblique [D]) to the core surface and run the steam gun following the core fin direction.

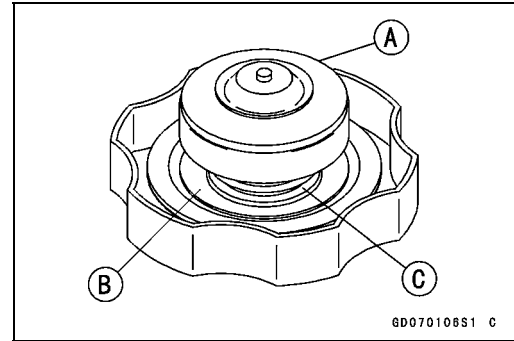


4-16 COOLING SYSTEM

Radiator

Radiator Cap Inspection

- Check the condition of the top and bottom valve seals of the radiator cap.
- ★ If any one of them shows visible damage, replace the cap.
 - Bottom Valve Seal [A]
 - Top Valve Seal [B]
 - Valve Spring [C]

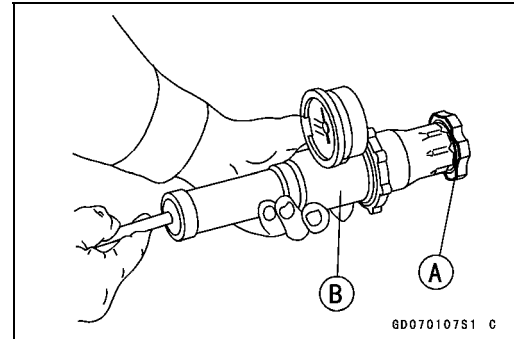


- Install the cap [A] on a cooling system pressure tester [B].

NOTE

○Wet the cap sealing surfaces with water or coolant to prevent pressure leakage.

- Watching the pressure gauge, pump the pressure tester to build up the pressure until the relief valve opens: the gauge needle flicks downward. Stop pumping and measure leak time at once. The relief valve must open within the specified range in the table below and the gauge needle must remain within the same range at least 6 seconds.



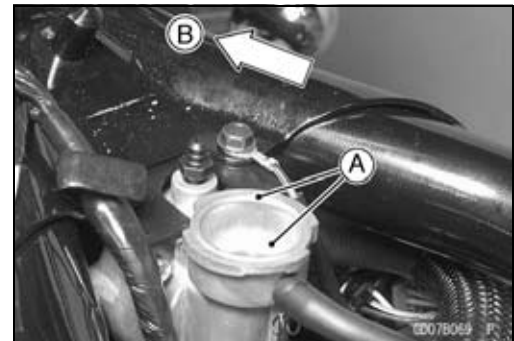
Radiator Cap Relief Pressure

Standard: 93 ~ 123 kPa (0.95 ~ 1.25 kgf/cm², 13.5 ~ 17.8 psi) for 6 seconds

- ★ If the cap holds too much pressure or cannot hold the specified pressure, replace it with a new one.

Radiator Filler Neck Inspection

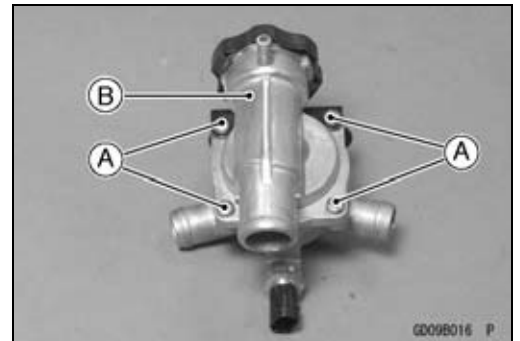
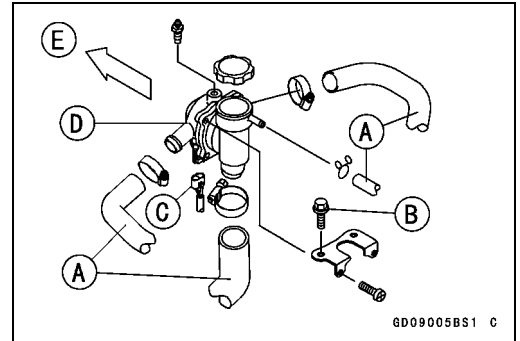
- Remove the radiator cap.
- Check the radiator filler neck for signs of damage.
- Check the condition of the top and bottom sealing seats [A] in the filler neck. They must be smooth and clean for the radiator cap to function properly.
 - Front [B]



Thermostat

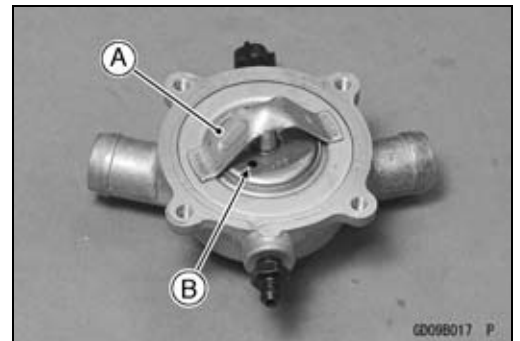
Thermostat Removal

- Remove:
 - Coolant: Drain about 200 mL
 - Fuel Tank (see Fuel System chapter)
 - Four Radiator Hoses [A]
 - Bracket Bolts [B]
 - Water Temperature Sensor Connector [C]
- Remove the thermostat housing [D] along with the bracket.
 - Front [E]
- Remove the screws [A], take off the cap [B], and take out the thermostat.



Thermostat Installation

- Install the thermostat [A] in the housing so that the air bleeder hole [B] is on top.
- Install a new O-ring into the housing.
- Fill the radiator with coolant (see Coolant Change in the Periodic Maintenance chapter).



Thermostat Inspection

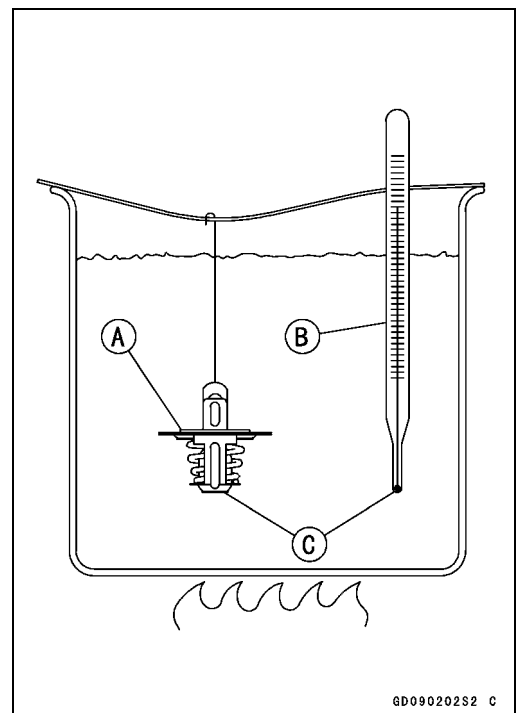
- Remove the thermostat, and inspect the thermostat valve at room temperature.
- ★ If the valve is open, replace the valve with a new one.
- To check valve opening temperature, suspend the thermostat [A] and an accurate thermometer [B] in a container of water with the heat-sensitive portions [C] in almost the same depth.

NOTE

○ *The thermostat must be completely submerged and the thermostat and thermometer must not touch the container sides or bottom.*

- Gradually raise the temperature of the water while stirring the water gently for even temperature.
- ★ If the measurement is out of the range, replace the thermostat.

Thermostat Valve Opening Temperature
 58 ~ 62°C (136 ~ 144°F)



4-18 COOLING SYSTEM

Hoses and Pipes

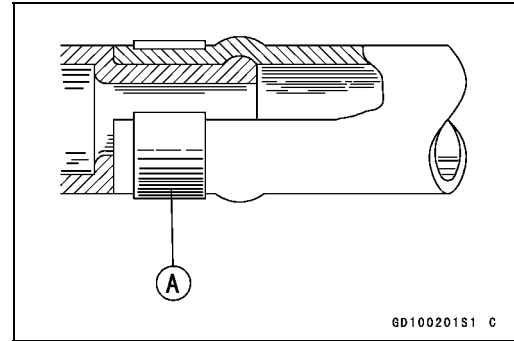
Hose Installation

- Install the hoses and pipes being careful to follow bending direction. Avoid sharp bending, kinking, flattening, or twisting.
- Install the clamps [A] as near as possible to the hose end to clear the raised rib on the fitting. This will prevent the hoses from working loose.
- The clamp screws should be positioned correctly to prevent the clamps from contacting the other parts.
- Tighten:

Torque - Radiator Hose Clamp Screws: 2.5 N·m (0.25 kgf·m, 22 in·lb)

Hose Inspection

- Whenever the radiator hoses are removed or in accordance with the Periodic Maintenance Chart, check the radiator hoses and their connections. Refer to Radiator Hose and Connection Inspection in the Periodic Maintenance Chapter.



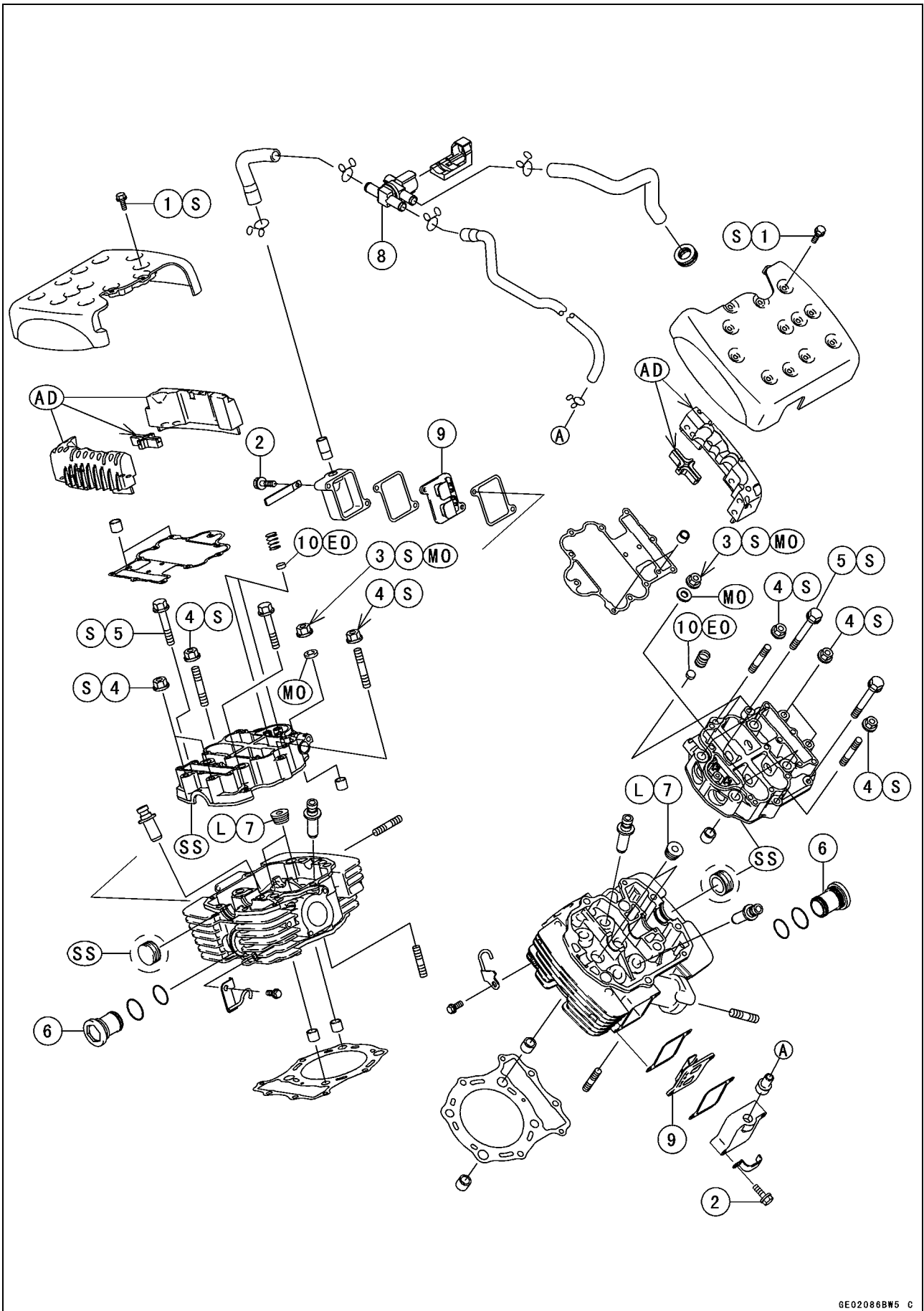
Engine Top End

Table of Contents

Exploded View.....	5-2	Cylinder Head.....	5-32
Specifications	5-8	Cylinder Compression	
Special Tools and Sealant.....	5-11	Measurement	5-32
Clean Air System.....	5-14	Cylinder Head Removal	5-33
Air Suction Valve Removal.....	5-14	Cylinder Head Installation	5-34
Air Suction Valve Installation.....	5-14	Cylinder Head Warp.....	5-34
Air Suction Valve Check.....	5-14	Valve Clearance Adjustment.....	5-35
Air Switching Valve Removal	5-15	Valve Removal	5-35
Air Switching Valve Installation ...	5-15	Valve Installation	5-35
Air Switching Valve Operation		Valve Guide Removal	5-35
Test.....	5-15	Valve Guide Installation	5-36
Air Switching Valve Unit Test	5-15	Valve Guide Wear (Wobble	
Clean Air System Hose		Method).....	5-36
Inspection.....	5-16	Valve Seat Inspection	5-37
Camshaft Chain Tensioner	5-17	Valve Seat Repair	5-37
Camshaft Chain Tensioner		Cylinders, Piston.....	5-41
Removal	5-17	Cylinder Removal.....	5-41
Camshaft Chain Tensioner		Piston Removal.....	5-41
Installation	5-17	Cylinder, Piston Installation.....	5-41
Rocker Case Cover	5-19	Cylinder Wear	5-44
Rocker Case Cover Removal	5-19	Piston Wear	5-44
Rocker Case Cover Installation ...	5-19	Piston/Cylinder Clearance	5-44
Rocker Case Cover Assembly	5-20	Cylinder Boring and Honing	5-45
Rocker Case.....	5-21	Piston Ring, Piston Ring Groove	
Rocker Case Removal	5-21	Wear.....	5-45
Rocker Case Installation	5-22	Piston Ring Groove Width.....	5-46
Rocker Arm Assembly	5-24	Piston Ring Thickness	5-46
HLA Removal.....	5-24	Piston Ring End Gap	5-46
HLA Air Bleeding.....	5-24	Mufflers.....	5-47
HLA Installation.....	5-25	Exhaust Pipe Removal.....	5-47
Camshafts	5-26	Lower Muffler Removal	5-48
Camshaft Removal	5-26	Upper Muffler Removal	5-48
Camshaft Installation	5-26	Muffler, Exhaust Pipe Installation.	5-48
Camshaft Sprocket Installation ...	5-28	Chamber Removal	5-49
Camshaft/Rocker Case Wear	5-28	Chamber Installation	5-49
Front Camshaft Chain Removal...	5-30	Chamber Assembly.....	5-49
Rear Camshaft Chain Removal ...	5-30	Chamber Identification	5-50
KACR Inspection.....	5-31		

5-2 ENGINE TOP END

Exploded View



Exploded View

No.	Fastener	Torque			Remarks
		N·m	kgf·m	ft·lb	
1	Rocker Case Cover Bolts	8.8	0.90	78 in·lb	S
2	Air Suction Valve Cover Bolts	7.4	0.75	65 in·lb	
3	Rocker Case Nuts ϕ 12 mm	78	8.0	58	S, MO
4	Rocker Case Nuts ϕ 8 mm	25	2.5	18	S
5	Rocker Case Bolts ϕ 6 mm	8.8	0.90	78 in·lb	S
6	Spark Plug Retainers	12	1.2	106 in·lb	
7	Cylinder Head Jacket Plugs	20	2.0	15	L

8. Air switching valve

9. Air suction valves

10. HLA oil filters

AD: Apply adhesive.

EO: Apply engine oil.

L: Apply a non-permanent locking agent.

MO: Apply molybdenum disulfide oil.

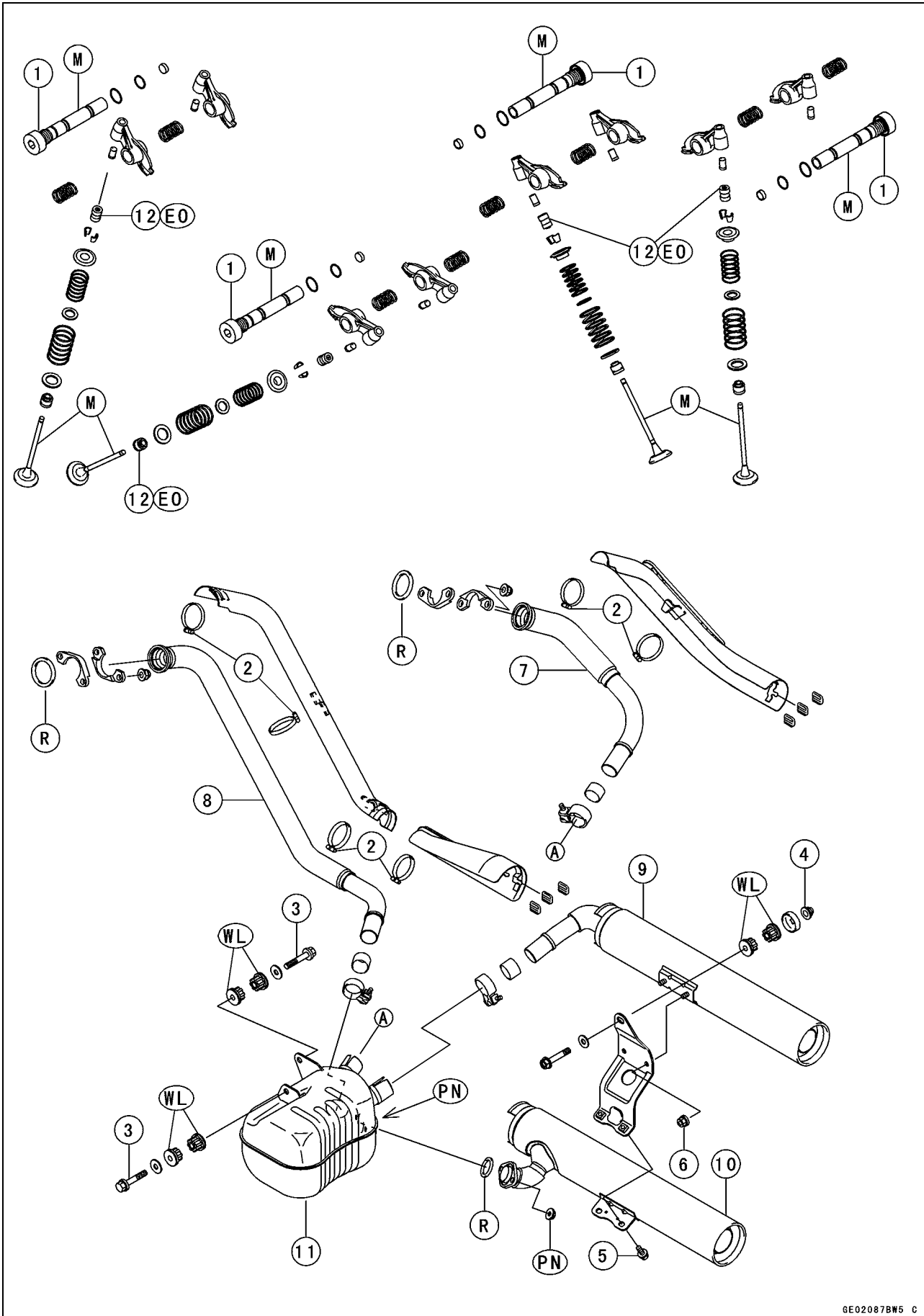
The molybdenum disulfide oil is a mixture of engine oil and molybdenum disulfide grease with a weight ratio (10 : 1).

S: Follow the specific tightening sequence.

SS: Apply silicone sealant (Kawasaki Bond: 56019-120).

5-4 ENGINE TOP END

Exploded View



Exploded View

No.	Fastener	Torque			Remarks
		N·m	kgf·m	ft·lb	
1	Rocker Shafts	25	2.5	18	
2	Exhaust Pipe Cover Clamp Screws	6.9	0.70	61 in·lb	
3	Premuffler Chamber Bolts	29	3.0	21	
4	Upper Muffler Bracket Nut	29	3.0	21	
5	Muffler Stay Mounting Bolts, $\phi 8$	25	2.5	18	
6	Upper Muffler Mounting Nuts, $\phi 8$	25	2.5	18	

7. Rear exhaust pipe

8. Front exhaust pipe

9. Upper muffler

10. Lower muffler

11. Premuffler chamber

12. Hydraulic lash adjusters

M: Apply molybdenum disulfide grease.

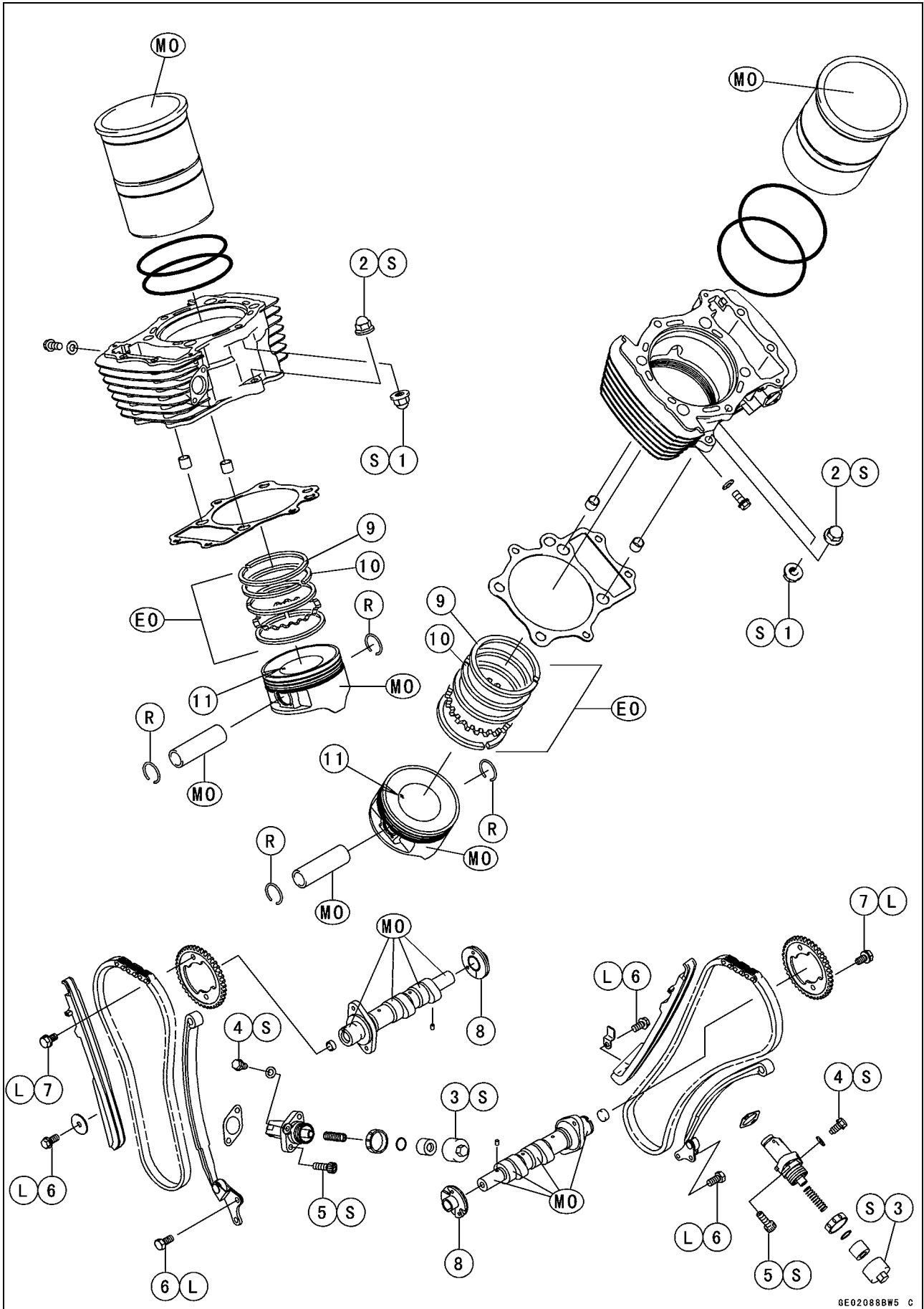
PN: Spray a penetrating oil on the nuts and studs if the nuts are difficult to remove.

R: Replacement Parts

WL: Apply a soap and water solution or rubber lubricant.

5-6 ENGINE TOP END

Exploded View



Exploded View

No.	Fastener	Torque			Remarks
		N·m	kgf·m	ft·lb	
1	Cylinder Head Nuts	25	2.5	18	S
2	Cylinder Nuts	25	2.5	18	S
3	Chain Tensioner Cap	20	2.0	15	S
4	Chain Tensioner Lockbolt	4.9	0.50	43 in·lb	S
5	Chain Tensioner Mounting Bolts	11	1.1	97 in·lb	S
6	Crankshaft Chain Guide Bolts	11	1.1	97 in·lb	L
7	Camshaft Sprocket Bolts	15	1.5	11	L

8. KACR unit

9. "R" marked side faces up.

10. "RN" marked side faces up.

11. Each circle mark points to the front side.

EO: Apply engine oil.

L: Apply a non-permanent locking agent.

MO: Apply molybdenum disulfide oil.

The molybdenum disulfide oil is a mixture of engine oil and molybdenum disulfide grease with a weight ratio (10 : 1).

R: Replacement Parts

S: Follow the specific tightening sequence.

5-8 ENGINE TOP END

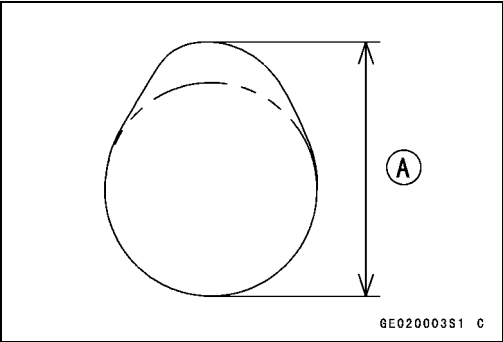
Specifications

Item	Standard	Service Limit
Clean Air System		
Air Switching Valve Resistance:	18 ~ 22 Ω at 20° (68°F)	— — —
Camshafts		
Cam Height:		
Exhaust	33.741 ~ 33.857 mm (1.32839 ~ 1.33295 in.)	33.64 mm (1.3244 in.)
Inlet	33.928 ~ 34.044 mm (1.33575 ~ 1.34031 in.)	33.83 mm (1.3319 in.)
Camshaft/Rocker Case Clearance		
$\phi 25$	0.020 ~ 0.062 mm (0.000787 ~ 0.00244 in.)	0.15 mm (0.00591 in.)
$\phi 17$	0.016 ~ 0.055 mm (0.000630 ~ 0.00217 in.)	0.14 mm (0.00551 in.)
Camshaft Journal Diameter $\phi 25$	24.959 ~ 24.980 mm (0.982638 ~ 0.983465 in.)	24.93 mm (0.98150 in.)
Rocker Case Bearing Inside Diameter $\phi 25$	25.000 ~ 25.021 mm (0.984252 ~ 0.985079 in.)	25.08 mm (0.98740 in.)
Camshaft Journal Diameter $\phi 17$	16.966 ~ 16.984 mm (0.667953 ~ 0.668661 in.)	16.93 mm (0.66654 in.)
Rocker Case Bearing Inside Diameter $\phi 17$	17.000 ~ 17.021 mm (0.669291 ~ 0.670118 in.)	17.08 mm (0.67244 in.)
Camshaft Runout	TIR 0.02 mm (0.00079 in.) or less	TIR 0.1 mm (0.0039 in.)
Rocker Arm Inside Diameter	16.000 ~ 16.018 mm (0.629921 ~ 0.630630 in.)	16.05 mm (0.63189 in.)
Rocker Shaft Diameter	15.966 ~ 15.984 mm (0.628583 ~ 0.629291 in.)	15.94 mm (0.62756 in.)
Cylinder Head		
Cylinder Compression Usable Range	340 ~ 590 kPa (3.5 ~ 6.0 kgf/cm ² , 50 ~ 85 psi) @300 r/min (rpm) with electric starter	— — —
Cylinder Head Warp	— — —	0.05 mm (0.0020 in.)
Valve		
Valve Clearance	Non-adjustable (Auto adjuster)	— — —
Valve Head Thickness:		
Exhaust	0.9 ~ 1.1 mm (0.035 ~ 0.0433 in.)	0.7 mm (0.028 in.)
Inlet	0.9 ~ 1.1 mm (0.035 ~ 0.0433 in.)	0.5 mm (0.020 in.)
Valve Stem Bend	TIR 0.01 mm (0.00039 in.) or less	TIR 0.05 mm (0.0020 in.)
Valve Stem Diameter:		
Exhaust	6.955 ~ 6.970 mm (0.27382 ~ 0.27441 in.)	6.94 mm (0.2732 in.)
Inlet	6.965 ~ 6.980 mm (0.27421 ~ 0.27480 in.)	6.95 mm (0.2736 in.)

Specifications

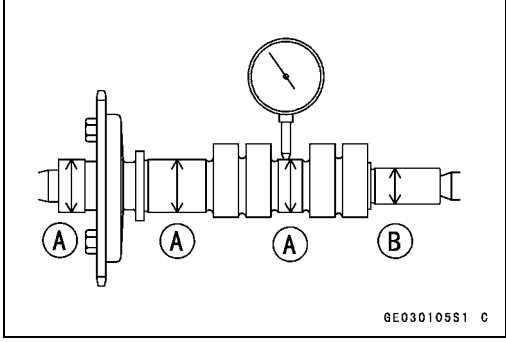
Item	Standard	Service Limit
Valve Guide Inside Diameter:		
Exhaust	7.000 ~ 7.015 mm (0.27559 ~ 0.27618 in.)	7.08 mm (0.2787 in.)
Inlet	7.000 ~ 7.015 mm (0.27559 ~ 0.27618 in.)	7.08 mm (0.2787 in.)
Valve/Valve Guide Clearance (Wobble Method):		
Exhaust	0.08 ~ 0.16 mm (0.0031 ~ 0.00630 in.)	0.30 mm (0.0118 in.)
Inlet	0.05 ~ 0.13 mm (0.0020 ~ 0.00512 in.)	0.27 mm (0.0106 in.)

Cam Height



Cam Height (maximum) [A]

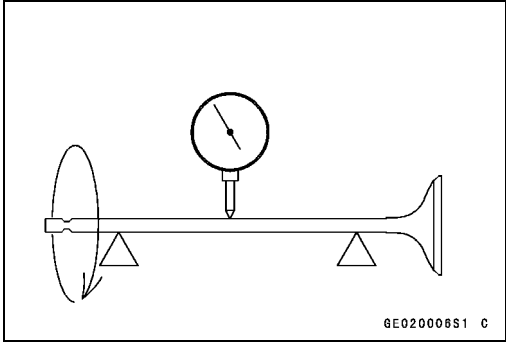
Camshaft Journals and Runout



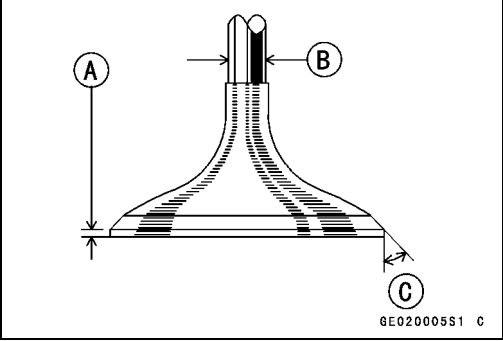
$\phi 25$ mm (0.984 in.) [A]
 $\phi 17$ mm (0.669 in.) [B]

45° [C]

Valve Stem Bend



Valve Head Thickness



Valve Head Thickness [A]
 Valve Stem Diameter [B]

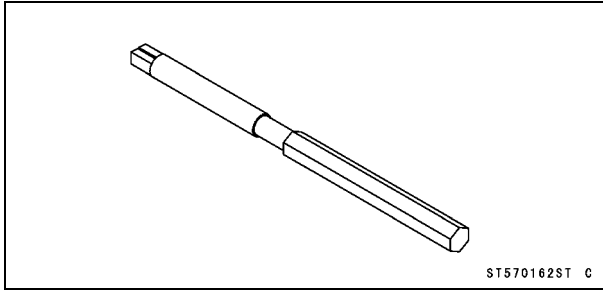
5-10 ENGINE TOP END

Specifications

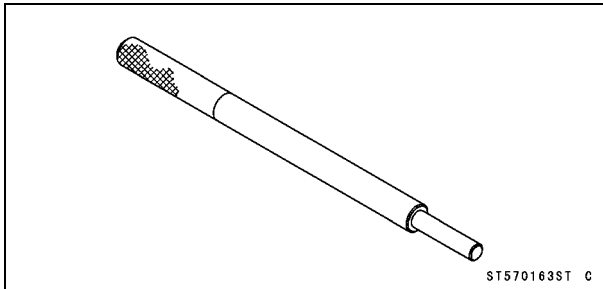
Item	Standard	Service Limit
Valve Seat Surface:		
Valve Seat Cutting Angle	45°, 32°, 55°	---
Outside Diameter:		
Exhaust	31.9 ~ 32.1 mm (1.256 ~ 1.264 in.)	---
Inlet	36.4 ~ 36.6 mm (1.433 ~ 1.441 in.)	---
Width:		
Exhaust	0.8 ~ 1.2 mm (0.031 ~ 0.047 in.)	---
Inlet	0.5 ~ 1.0 mm (0.020 ~ 0.039 in.)	---
Valve Spring Free Length:		
Outer (EX, IN)	44.76 mm (orange) (1.7622 in.)	43.2 mm (1.700 in.)
Inner (EX, IN)	39.82 mm (orange) (1.5677 in.)	38.3 mm (1.508 in.)
Cylinder, Piston		
Cylinder Inside Diameter	102.000 ~ 102.012 mm (4.015748 ~ 4.016220 in.)	102.10 mm (4.01969 in.)
Piston Diameter	101.942 ~ 101.957 mm (4.013457 ~ 4.014047 in.)	101.79 mm (4.00748 in.)
Piston/Cylinder Clearance	0.043 ~ 0.070 mm (0.00169 ~ 0.00276 in.)	---
Oversize Piston And Rings	+0.5 mm (0.020 in.)	---
Piston Ring/Groove Clearance:		
Top	0.05 ~ 0.09 mm (0.00197 ~ 0.00354 in.)	0.19 mm (0.00748 in.)
Second	0.03 ~ 0.07 mm (0.0012 ~ 0.0028 in.)	0.17 mm (0.00669 in.)
Piston Ring Groove Width:		
Top	1.24 ~ 1.26 mm (0.048819 ~ 0.049606 in.)	1.34 mm (0.05276 in.)
Second	1.22 mm ~ 1.24 mm (0.04803 ~ 0.04882 in.)	1.32 mm (0.05197 in.)
Piston Ring Thickness:		
Top	1.17 mm ~ 1.19 mm (0.04606 ~ 0.04685 in.)	1.10 mm (0.0433 in.)
Second	1.17 mm ~ 1.19 mm (0.04606 ~ 0.04685 in.)	1.10 mm (0.0433 in.)
Piston Ring End Gap:		
Top	0.25 ~ 0.35 mm (0.0098 ~ 0.0138 in.)	0.7 mm (0.028 in.)
Second	0.40 ~ 0.55 mm (0.0157 ~ 0.0217 in.)	0.8 mm (0.031 in.)
Oil	0.3 ~ 0.9 mm (0.012 ~ 0.035 in.)	1.2 mm (0.0472 in.)

Special Tools and Sealant

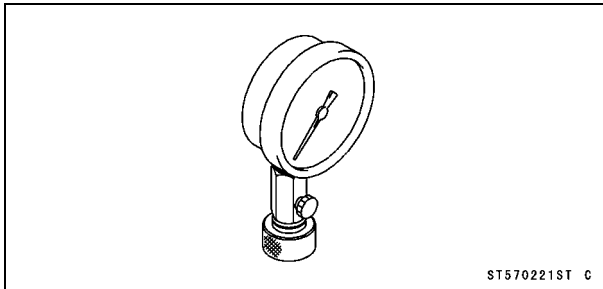
Valve Guide Reamer, $\phi 7$:
57001-162



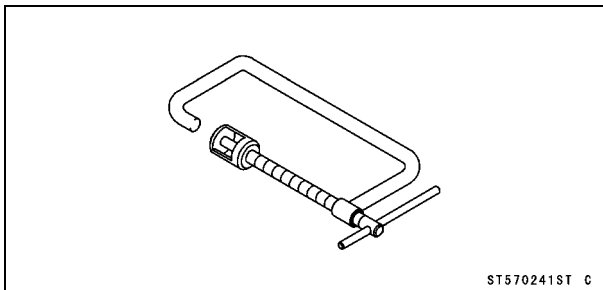
Valve Guide Arbor, $\phi 7$:
57001-163



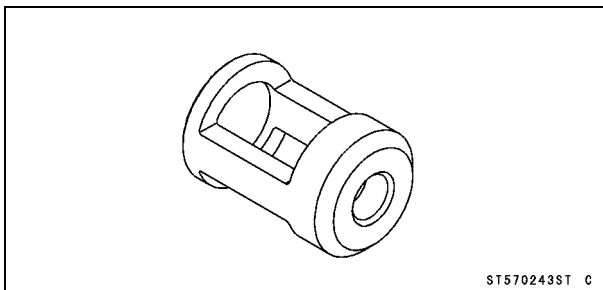
Compression Gauge, 20 kgf/cm²:
57001-221



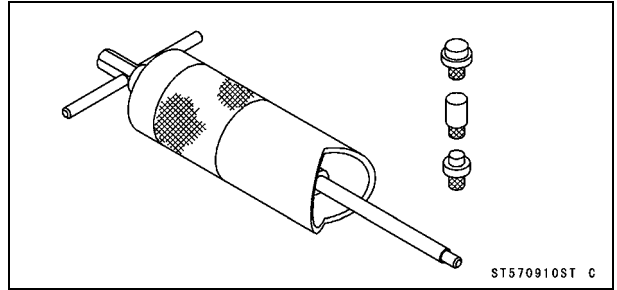
Valve Spring Compressor Assembly:
57001-241



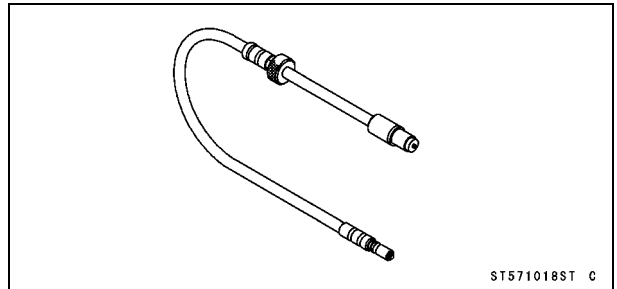
Valve Spring Compressor Adapter, $\phi 28.2$:
57001-243



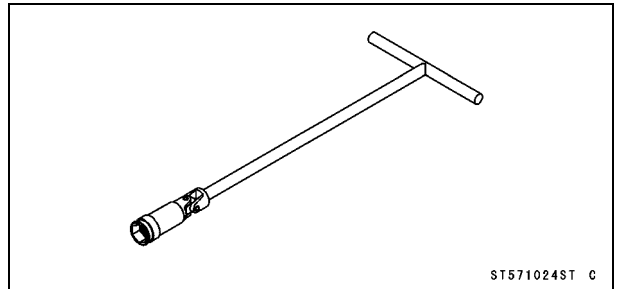
Piston Pin Puller Assembly:
57001-910



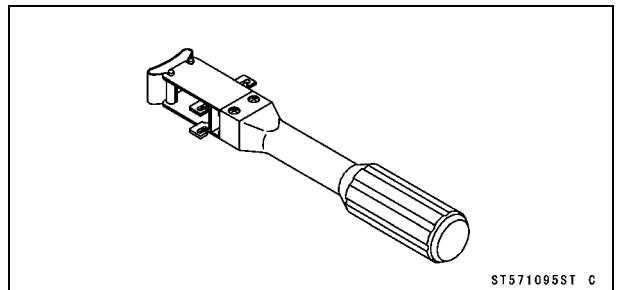
Compression Gauge Adapter, M12 x 1.25:
57001-1018



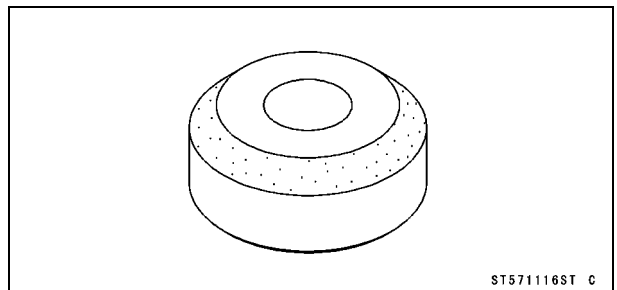
Spark Plug Wrench, Hex 18:
57001-1024



Piston Ring Compressor Grip:
57001-1095



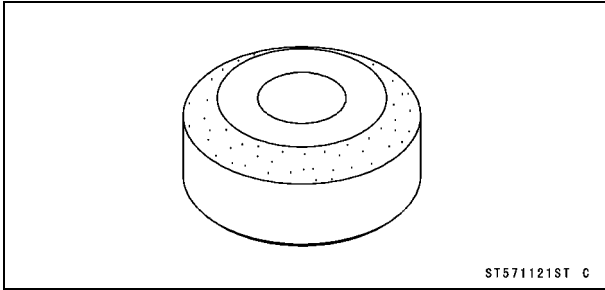
Valve Seat Cutter, 45° - $\phi 35$:
57001-1116



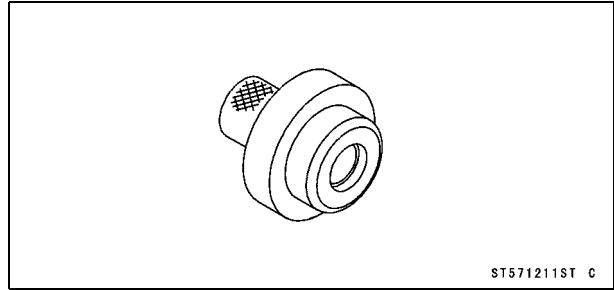
5-12 ENGINE TOP END

Special Tools and Sealant

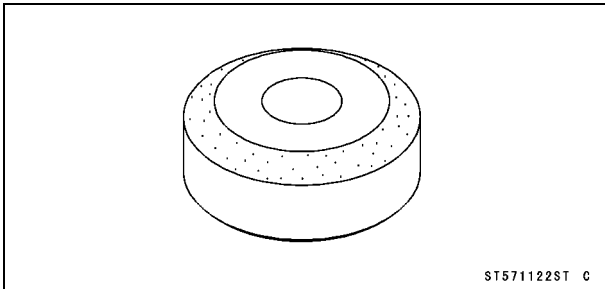
Valve Seat Cutter, 32° - ϕ 35:
57001-1121



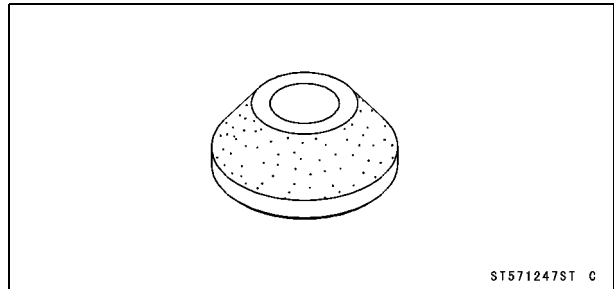
Piston Pin Puller Adapter, ϕ 14:
57001-1211



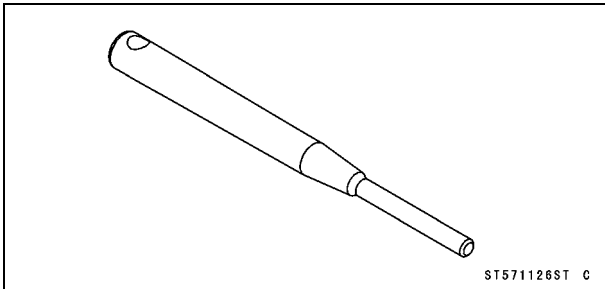
Valve Seat Cutter, 32° - ϕ 38.5:
57001-1122



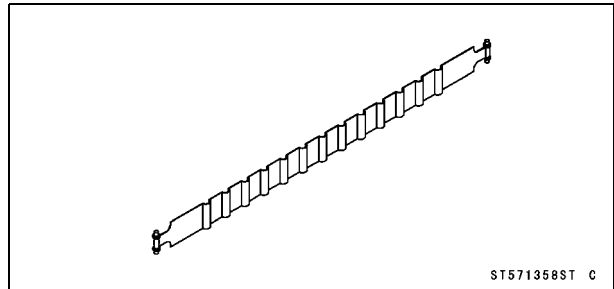
Valve Seat Cutter, 55° - ϕ 35:
57001-1247



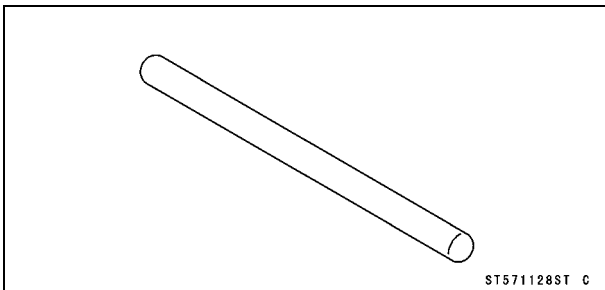
Valve Seat Cutter Holder, ϕ 7:
57001-1126



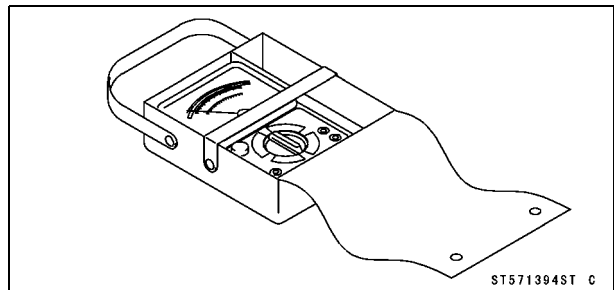
Piston Ring Compressor Belt, ϕ 95 ~ ϕ 108:
57001-1358



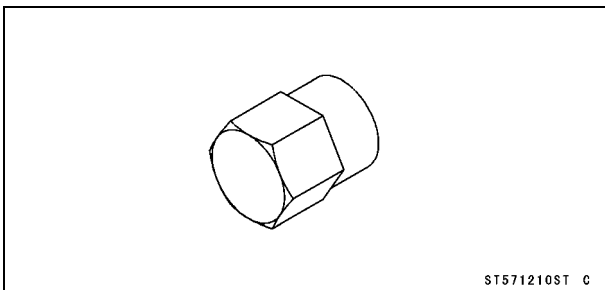
Valve Seat Cutter Holder Bar:
57001-1128



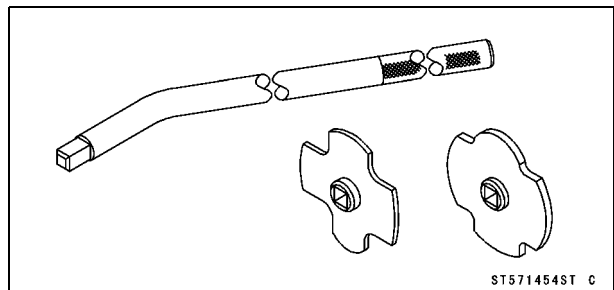
Hand Tester:
57001-1394



Hexagon Wrench, Hex 27:
57001-1210

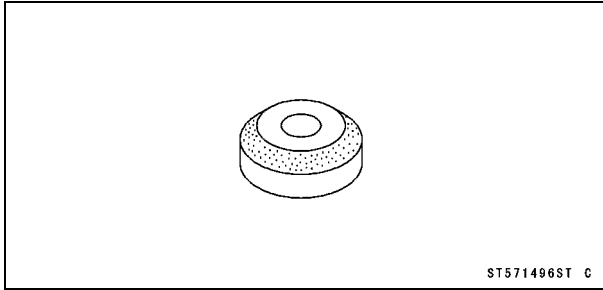


Filler Cap Driver:
57001-1454

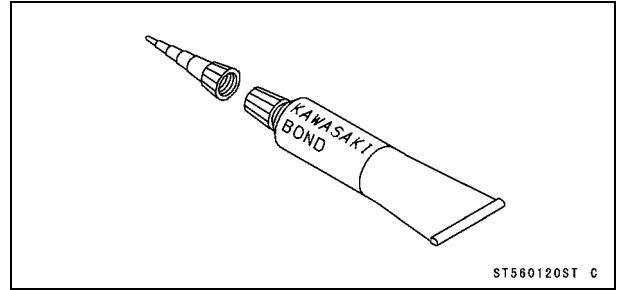


Special Tools and Sealant

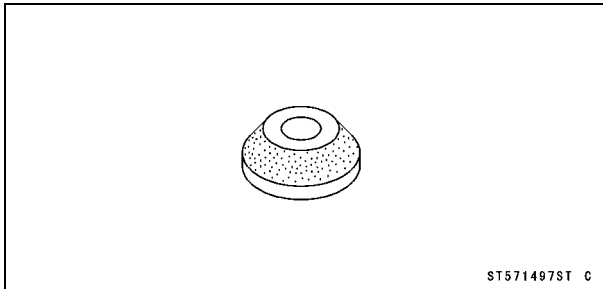
Valve Seat Cutter, 45° - ϕ 40:
57001-1496



Kawasaki Bond (Silicone Sealant):
56019-120



Valve Seat Cutter, 55° - ϕ 38.5:
57001-1497



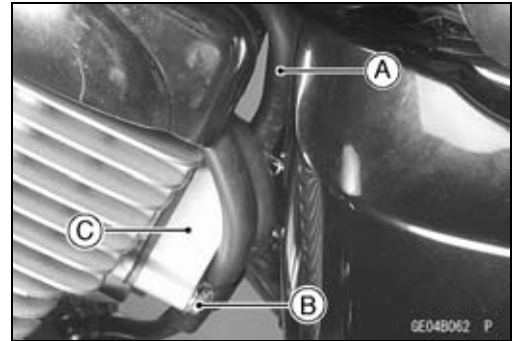
- Compression Gauge Adapter, M12 × 1.25:
57001-1183 can also be used.
- Valve Seat Cutter, 32° - ϕ 33: 57001-1199 can
also be used instead of Valve Seat Cutter, 32°
- ϕ 35: 57001-1121

5-14 ENGINE TOP END

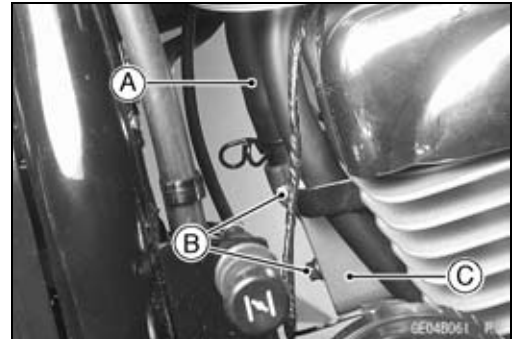
Clean Air System

Air Suction Valve Removal

- For rear air suction valve removal, remove the rear exhaust pipe.
- Remove the hose [A].
- Unscrew the mounting bolts [B] and remove the rear air suction valve cover [C].
- Remove the rear air suction valve.

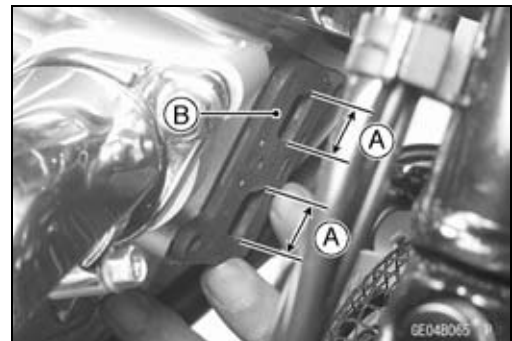


- For front air suction valve removal, remove the horn, the radiator mounting bolt and move the radiator forward.
- Remove the hose [A].
- Unscrew the mounting bolts [B] and remove the front air suction valve cover [C].
- Remove the front air suction valve.

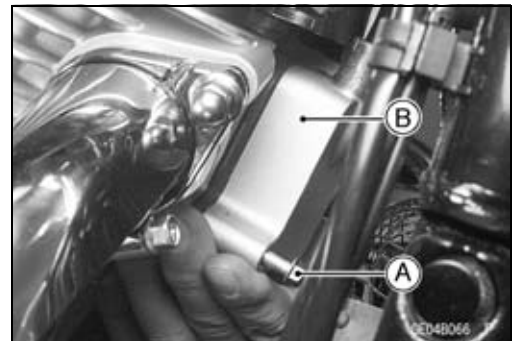


Air Suction Valve Installation

- Replace the gasket with a new one.
- Install each air suction valve so that its wider side [A] of the reed faces left.
Front Air Suction Valve [B]



- For the front air suction valve cover installation, set the lower bolt [A] in the cover [B] and install it.
- Tighten:
Torque - Air Suction Valve Cover Bolts: 7.4 N·m (0.75 kgf·m, 65 in·lb)



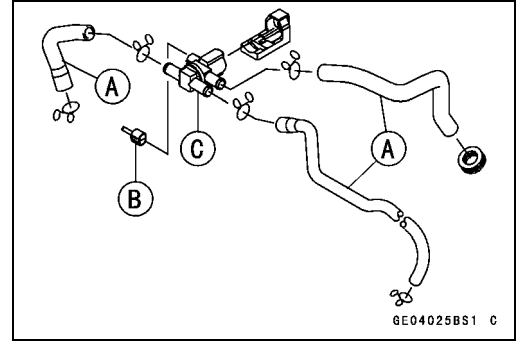
Air Suction Valve Check

- Refer to Air Suction Valve Inspection in the Periodic Maintenance Chapter.

Clean Air System

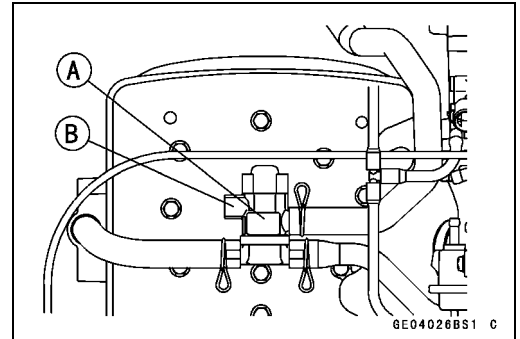
Air Switching Valve Removal

- Remove:
 - Fuel Tank (see Fuel System Chapter)
- Pull off the hoses [A] and air switching valve connector [B], and take out the air switching valve [C].



Air Switching Valve Installation

- Install the air switching valve [A] so that the connector [B] faces forward.
- Route the hoses correctly (see Appendix chapter).

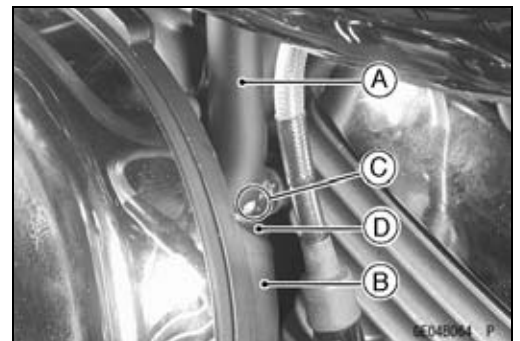


Air Switching Valve Operation Test

- Pull the air switching hose [A] out of the right air cleaner base.
- Start the engine and run it at idle speed.
- Plug the air switching hose end with your finger and feel vacuum pulsing in the hose.
- ★ If there is no vacuum pulsation, check the hose line for leak. If there is no leak, check the air switching valve (see Air Switching Valve Unit Test).



- Apply a soap and water solution or rubber lubricant to the end of the air switching hose [A] and put the hose into the right air cleaner base [B] with the white mark [C] faced forward until the white mark aligns with the top of the grommet [D].



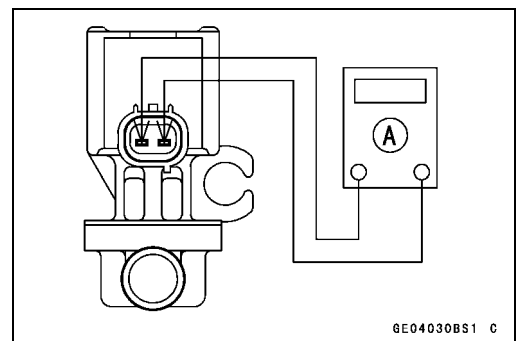
Air Switching Valve Unit Test

- Remove the air switching valve. (see Air Switching Valve Removal)
- Set the hand tester [A] to the $\times 25 \Omega$ range and wire it to the air switching valve terminals as shown.

Special Tool - Hand Tester: 57001-1394

Air Switching Valve Resistance
Standard: 18 ~ 22 Ω at 20°C (68°F)

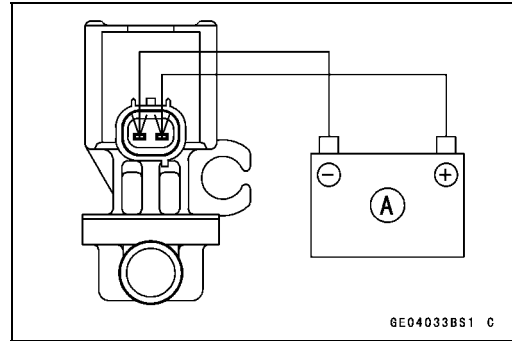
- ★ If the resistance reading is except the specified value, replace it with a new one.



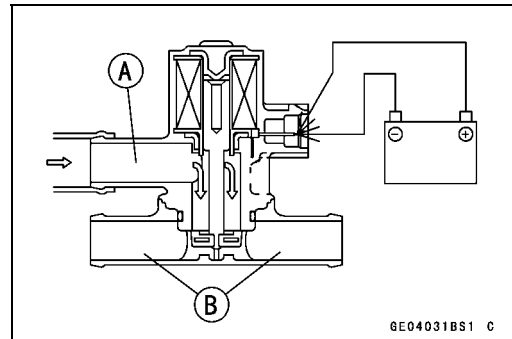
5-16 ENGINE TOP END

Clean Air System

- Connect the 12 V battery [A] to the air switching valve terminals as shown.



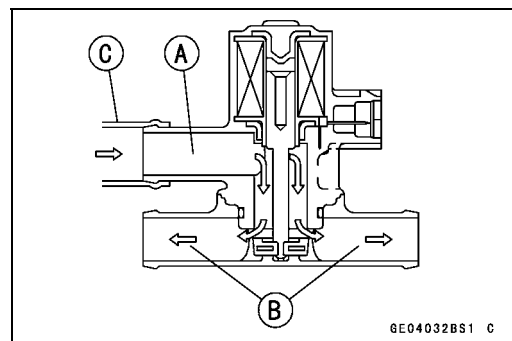
- Blow the air to the inlet air duct [A], and make sure does not flow the blown air from the outlet air ducts [B].



- Disconnect the 12 V battery.
- Blow the air to the inlet air duct [A] again, and make sure flow the blown air from the outlet air ducts [B].
- ★ If the air switching valve does not operate as described, replace it with a new one.

NOTE

○ To check air flow through the air switching valve, just blow through the air cleaner hose [C].



Clean Air System Hose Inspection

- Be certain that all the hoses are routed without being flattened or kinked, and are connected correctly to the right air cleaner base, air switching valve, throttle body, and air suction valve covers.
- ★ If they are not, correct them. Replace them if they are damaged.

Camshaft Chain Tensioner

Camshaft Chain Tensioner Removal

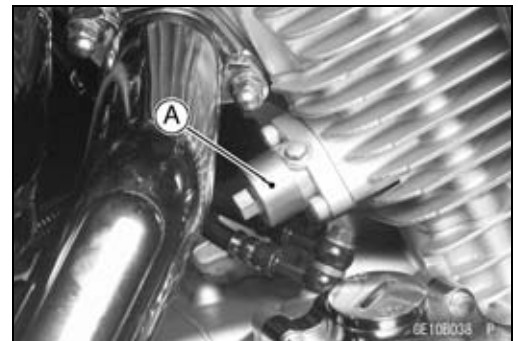
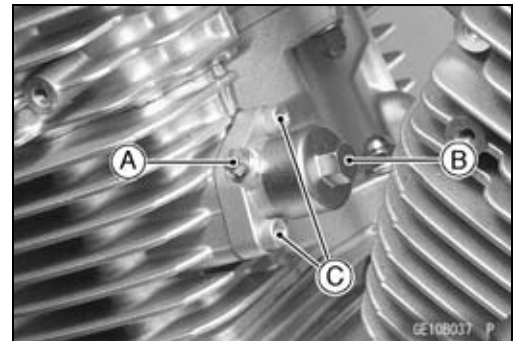
CAUTION

This is a non-return type cam chain tensioner. The push rod does not return to its original position once it moves out to take up camshaft chain slack. Observe all the rules listed below:

When removing the tensioner, do not take out the mounting bolts only halfway. Retightening the mounting bolts from this position could damage the tensioner and the camshaft chain. Once the bolts are loosened, the tensioner must be removed and reset as described in "Camshaft Chain Tensioner Installation".

Do not turn over the crankshaft while the tensioner is removed. This could upset the cam chain timing, and damage the valves.

- For the front chain tensioner, remove the lower air cleaner duct and left air cleaner base holder (see Fuel System chapter).
 - The procedure to remove the front chain tensioner is as follows.
 - Loosen the lockbolt [A] and remove the tensioner cap [B].
 - Remove the tensioner mounting bolts [C] and take off the chain tensioner.
-
- For the rear chain tensioner [A], removal is the same as for the front chain tensioner.

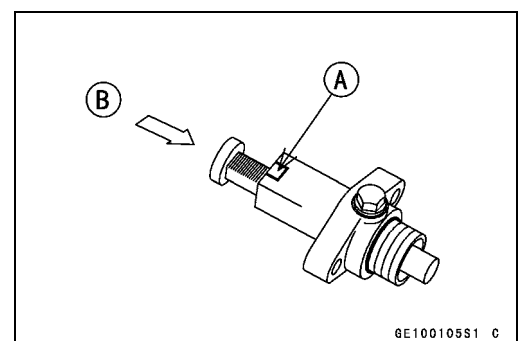


Camshaft Chain Tensioner Installation

CAUTION

Be sure to install the camshaft chain tensioner after camshaft chain is timed.

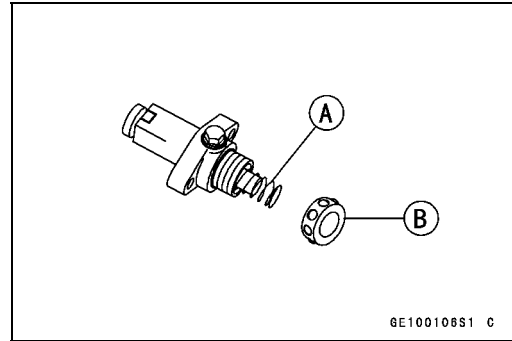
- Push the stopper [A] to release the ratchet and push the push rod [B] into the tensioner body.



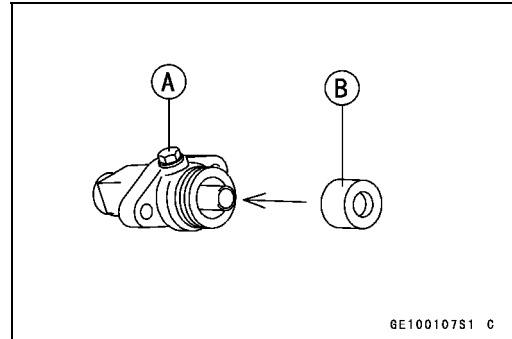
5-18 ENGINE TOP END

Camshaft Chain Tensioner

- Install the larger spring [A], and then the ball bearing assy [B].
- Fit the ball bearing assy into the body until it bottoms out, using a thin-bladed screwdriver.

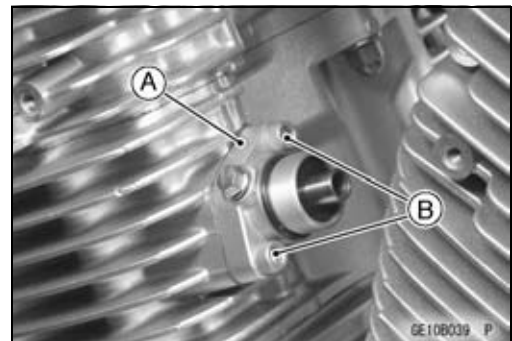


- Screw in the lockbolt [A] finger-tight to hold the ball bearing assy temporarily.
- Install the retainer [B].



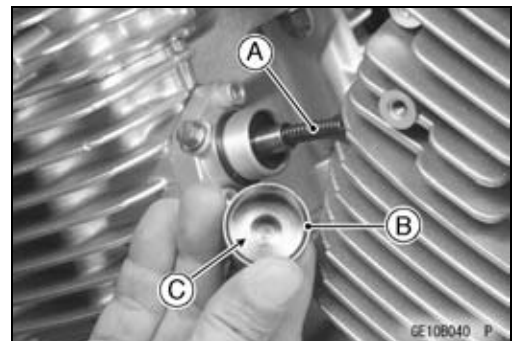
- Install the tensioner body [A] and tighten the mounting bolts [B] to the specified torque.

Torque - Chain Tensioner Mounting Bolts: 11 N·m (1.1 kgf·m, 97 in·lb)



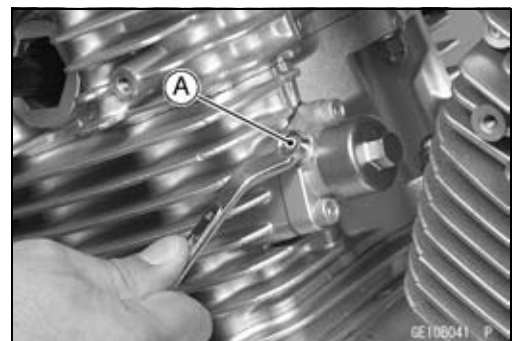
- Install the smaller spring [A] and the tensioner cap [B].
- Set the spring end into the hollow [C] of the cap.
- Tighten the tensioner cap to the specified torque.

Torque - Chain Tensioner Cap: 20 N·m (2.0 kgf·m, 15 ft·lb)



- Remove the lockbolt [A] and check to be sure that the larger spring clicks, then install the lockbolt.
- Tighten:

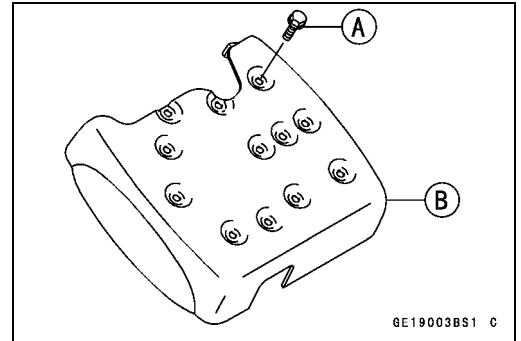
Torque - Chain Tensioner Lockbolt: 4.9 N·m (0.50 kgf·m, 43 in·lb)



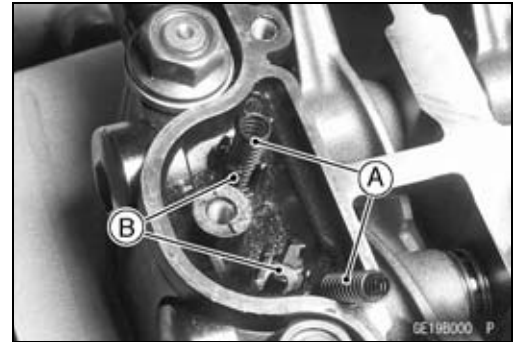
Rocker Case Cover

Rocker Case Cover Removal

- Remove the engine (see Engine Removal/Installation chapter).
- Remove the bolts [A] and take off the cover [B] from the rocker case.



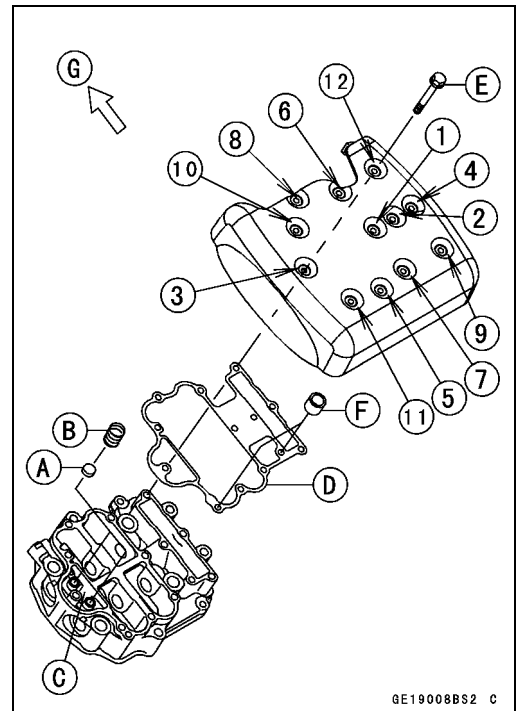
- Take out the oil filter springs [A] and HLA oil filters [B].



Rocker Case Cover Installation

- Replace the HLA oil filters [A] with new ones.
- Install the oil filter springs [B]
- After installing the rocker case, fill the oil reservoir [C] with engine oil.
- Replace the cover gasket [D] with a new one.
- Tighten the cover bolts [E] to the specified torque following the tightening sequence.
 - Dowel Pins [F]
 - Inlet Side [G]

Torque - Rocker Case Cover Bolts: 8.8 N·m (0.90 kgf·m, 78 in·lb)

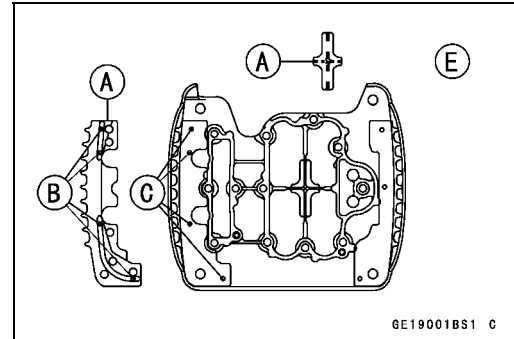
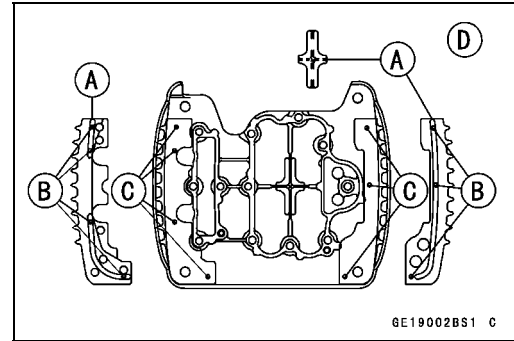


5-20 ENGINE TOP END

Rocker Case Cover

Rocker Case Cover Assembly

- Apply adhesive to the rubber dampers [A] and install them on the rocker case cover as shown.
- Insert the projections [B] of the dampers to the holes [C] of the cover.
 - Front Cover [D]
 - Rear Cover [E]



Rocker Case

Rocker Case Removal

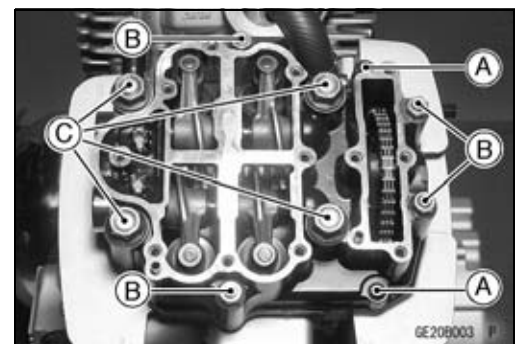
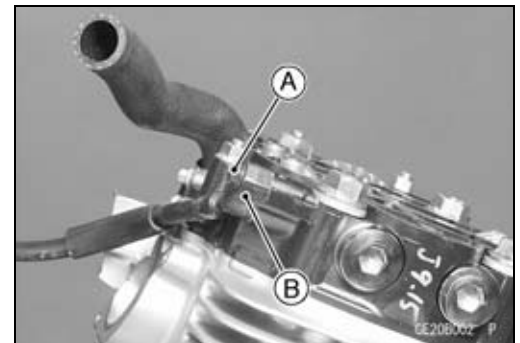
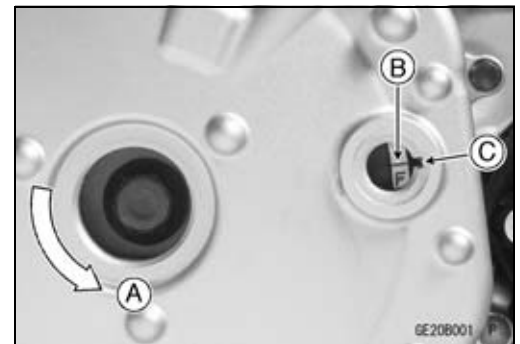
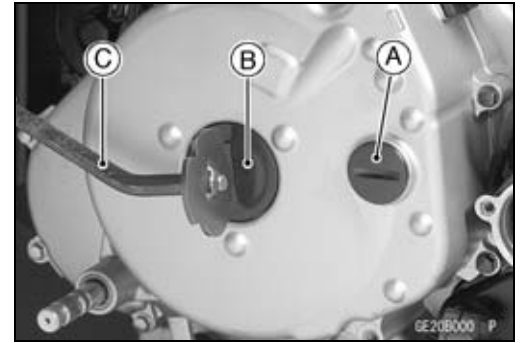
- Remove the engine (see Engine Removal/Installation chapter).
- Remove the throttle body assy (see Fuel System (DFI) chapter).
- Remove the rocker case covers (see Rocker Case Cover Removal).
- Remove the alternator outer cover (see Electrical System chapter).
- Remove the timing inspection cap [A] and rotor bolt cap [B].

Special Tool - Filler Cap Driver: 57001-1454 [C]

- Turn the crankshaft counterclockwise [A] and align the "F" mark (TDC mark for front piston) [B] with the middle of the notch [C].

- Remove:
 - Oil Hose Banjo Bolt [A]
 - Oil Hose [B]

- Remove the camshaft chain tensioner (see Camshaft Chain Tensioner Removal).
- Remove the rocker case bolts [A], smaller nuts [B], and then larger nuts [C].



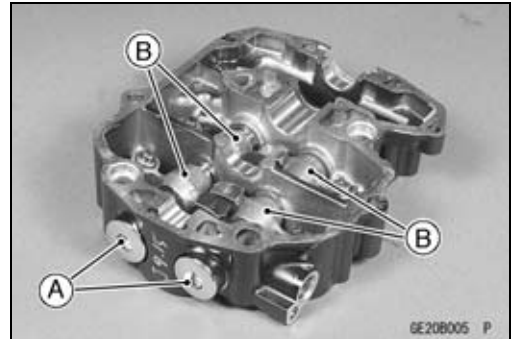
5-22 ENGINE TOP END

Rocker Case

- Using the pry points [A], take the rocker case out of the cylinder head.



- Unscrew the rocker shafts [A], and take the rocker arms [B] out of the rocker case.
- Take out the oil filters if necessary.
- Remove the lash adjuster if necessary (see HLA Removal).

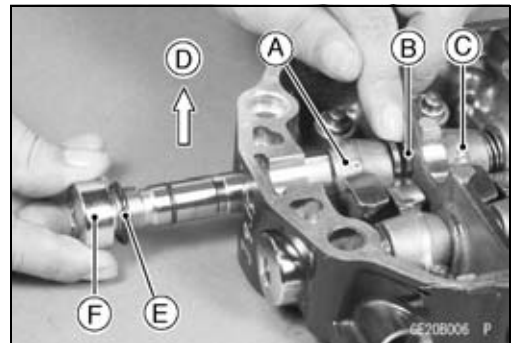


CAUTION

The cylinder head and rocker case are machined in the assembled state, so they must be used as a set. Be careful not to mix them up for front and rear cylinders.

Rocker Case Installation

- Install the rocker arms [A] and retaining springs [B] on each rocker shaft as shown. These retaining springs are the same.
- The rocker arm [C] of the exhaust side [D] next to the chain tunnel is different from the others.
- Be careful not to tip the rocker arm and not to allow the oil to leak out of HLA.
- Replace the O-rings [E] with new ones and install them on the rocker shaft [F].
- Apply molybdenum disulfide grease to the rocker shafts.
- Tighten the rocker shafts to the specified torque.

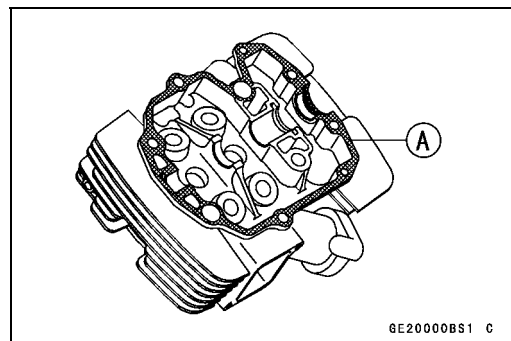


Torque - Rocker Shafts: 25 N·m (2.5 kgf·m, 18 ft·lb)

- Apply silicone sealant [A] to the rocker case mating surface and the outer circumference of the plugs as shown.

Sealant - Kawasaki Bond (Silicone Sealant): 56019-120

- Do not apply silicone sealant around the camshaft bearing.



Rocker Case

- Apply molybdenum disulfide oil to the threads and seating surface of $\phi 12$ mm nuts and both sides of washers.
- Tighten the rocker case nuts and bolts temporarily following the tightening sequence shown, and then tighten them to the specified torque.

Torque - Rocker Case Nuts $\phi 12$ mm: 78 N·m (8.0 kgf·m, 58 ft·lb)

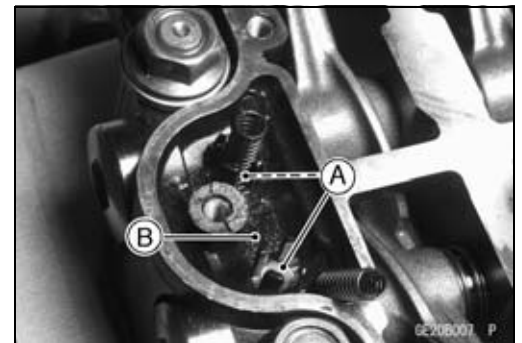
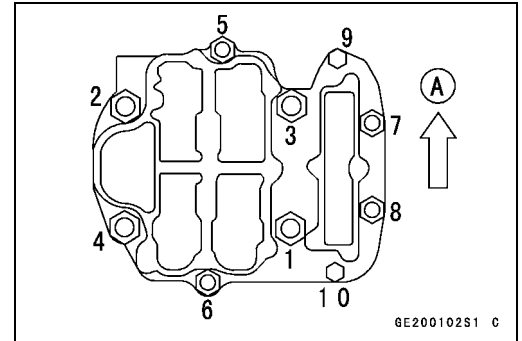
Rocker Case Nuts $\phi 8$ mm: 25 N·m (2.5 kgf·m, 18 ft·lb)

Rocker Case Bolts $\phi 6$ mm: 8.8 N·m (0.90 kgf·m, 78 in·lb)

Inlet Side [A]

- Replace the HLA oil filters [A] with new ones.
- After installing the rocker case, fill the oil reservoir [B] with engine oil.
- Tighten:

Torque - Oil Hose Flange Bolts: 9.8 N·m (1.0 kgf·m, 87 in·lb)



- Tighten the cylinder head nuts [A] and cylinder nuts [B] to the specified torque.

Torque - Cylinder Head Nuts, Cylinder Nuts: 25 N·m (2.5 kgf·m, 18 ft·lb)

Rocker Cases [C]

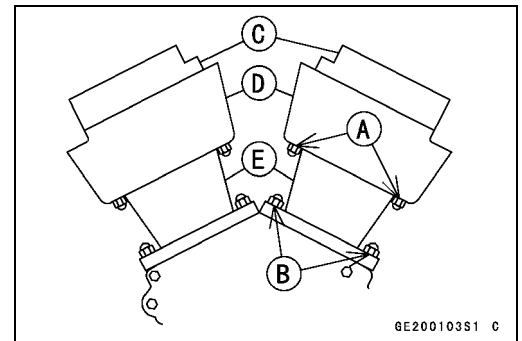
Cylinder Heads [D]

Cylinders [E]

- Tighten:

Torque - Timing Inspection Cap, Rotor Bolt Cap: 1.5 N·m (0.15 kgf·m, 13 in·lb)

- Install the engine (see Engine Removal/Installation chapter).

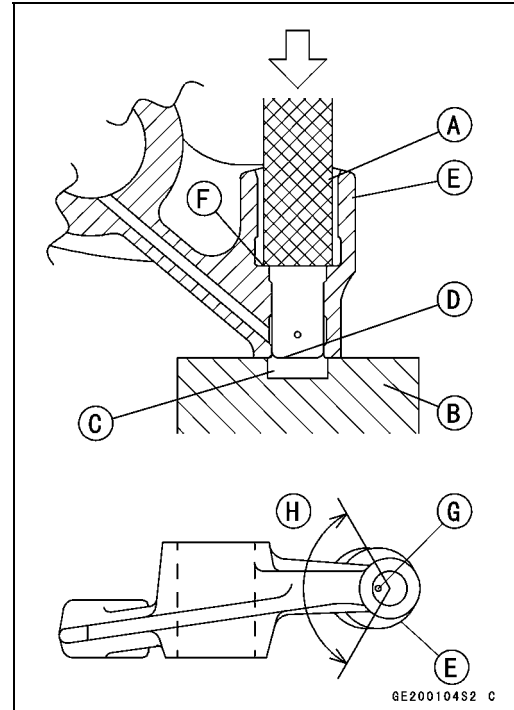


5-24 ENGINE TOP END

Rocker Case

Rocker Arm Assembly

- Prepare a flat-end bar [A] and a block [B] with a recess [C].
- Press the oil chamber [D] for the HLA into the rocker arm end [E] until the chamber end is even with the step [F] of the hole.
- Install the oil chamber as shown so that the air bleed hole [G] is placed within 120 degrees [H]. This makes HLA bleeding easier.

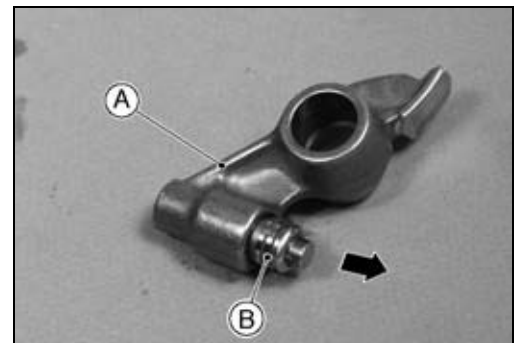


HLA Removal

- Remove the rocker case (see Rocker Case Removal).
- Remove the rocker arms.
- Pull the HLA (hydraulic lash adjuster) [B] out of the rocker arm [A] with your fingers.

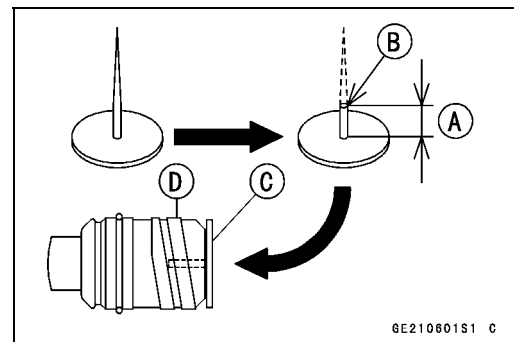
CAUTION

Be careful not to damage or deform an HLA by tapping it during removal or installation. Do not drop the HLA or hit it sharply. If it is damaged, the plunger will not operate smoothly.



HLA Air Bleeding

- Fill a container with engine oil.
- Prepare a thumbtack and cut its needle to 2.1 ~ 2.3 mm (0.0827 ~ 0.0906 in.) long [A]. Grind its cutting edge [B] smooth.
- Push in the check valve of the HLA [D] with the needle of the tack [C] and move the plunger up and down in the oil bath.
- ★ If the plunger sinks into the HLA body, repeat the air bleeding procedure and then push the plunger.
- ★ After air bleeding, if the plunger sinks into the HLA body again, replace the HLA.



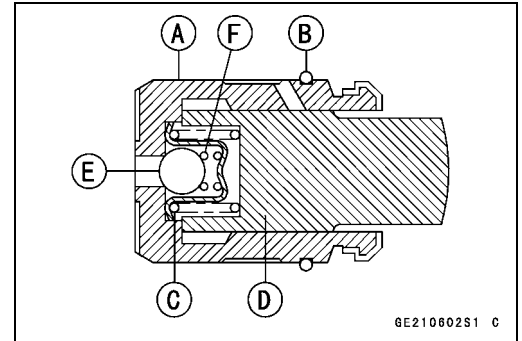
CAUTION

Do not push the check valve in more than 2.1 ~ 2.3 mm. Pushing too deep may cause the damage of the HLA.

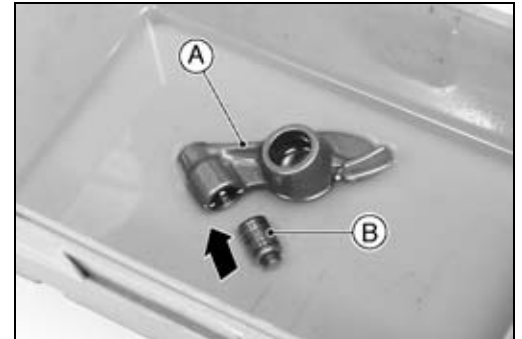
Rocker Case

HLA Installation

- Check that the HLA plunger is not damaged.
- ★ If the plunger does damage, replace the HLA.
 - HLA Body [A]
 - O-ring [B]
 - Plunger Spring [C]
 - Pivot Plunger [D]
 - Check Valve [E]
 - Check Valve Spring [F]



- Air-bleed the HLA (see HLA Air Bleeding).
- Soak a rocker arm [A] in engine oil, and then insert the HLA [B] into the rocker arm.
- Be careful not to tip the rocker arm having the HLA, and not to allow engine oil to leak out of the HLA.



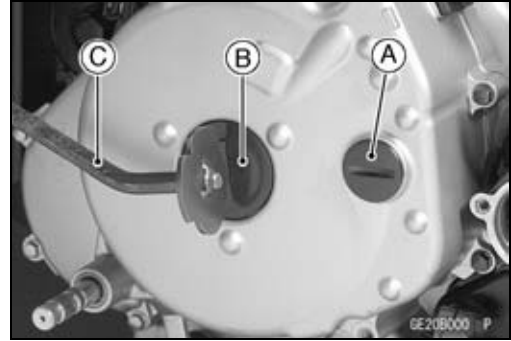
5-26 ENGINE TOP END

Camshafts

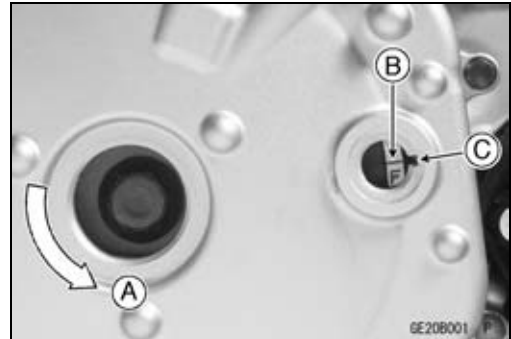
Camshaft Removal

- Remove the timing inspection cap [A] and rotor bolt cap [B].

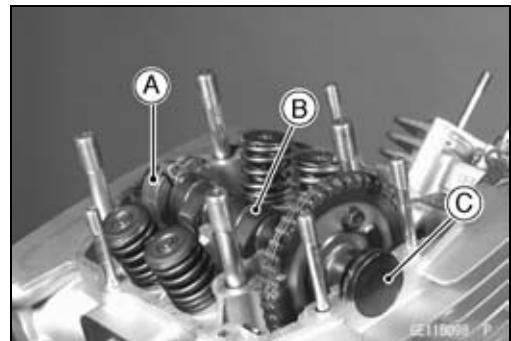
Special Tool - Filler Cap Driver: 57001-1454 [C]



- Turn the crankshaft counterclockwise [A] and align the “F” mark [B] (TDC mark for the front piston) with the middle of the notch [C].
- Remove the front and rear rocker case covers (see Rocker Case Cover Removal).
- Remove the front and rear rocker cases (see Rocker Case Removal).



- Remove the camshaft [B] along with the KACR [A].
- Remove the camshaft plug [C].
- Stuff a clean cloth into the chain tunnel to keep any parts from dropping into the crankcase.

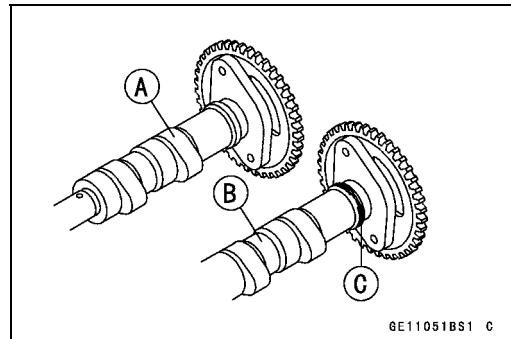


CAUTION

The crankshaft may be turned while the camshafts are removed. Always pull the chain taut while turning the crankshaft. This avoids kinking the chain on the lower (crankshaft) sprocket. A kinked chain could damage both chain and sprocket.

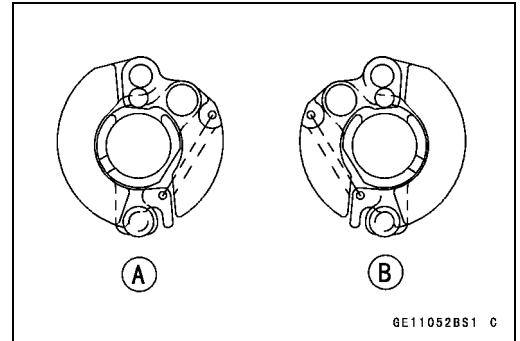
Camshaft Installation

- The front camshaft [A] and rear camshaft [B] are different. The rear camshaft has a groove [C].

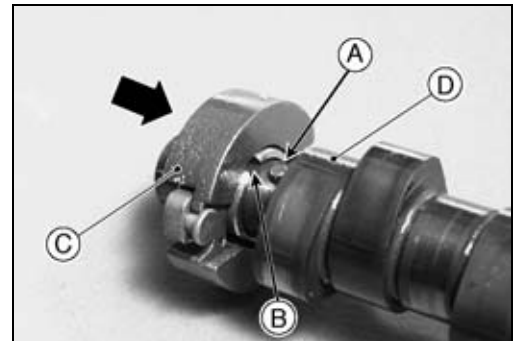


Camshafts

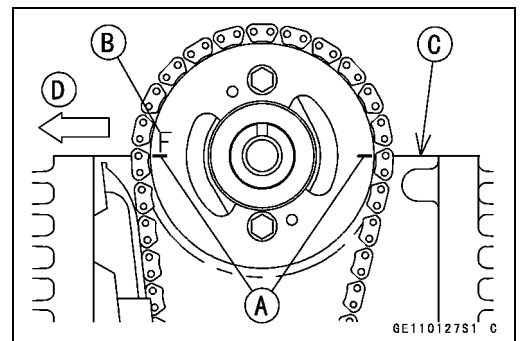
- Install the KACR on each camshaft.
- The front KACR [A] and rear KACR [B] are different (inside view). Do not confuse these KACRs.



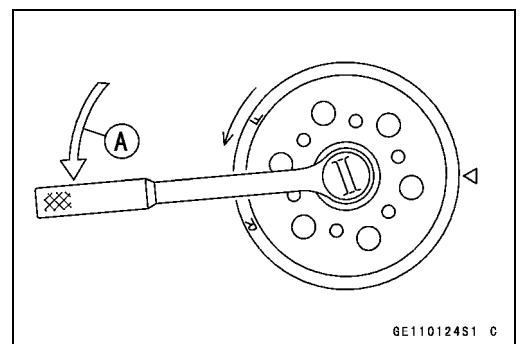
- Fit the pin [A] into the notch [B], and install the KACR [C] onto the camshaft [D].
- Apply molybdenum disulfide oil to all cam parts, including their journals.
- Remove the timing inspection cap and check that the “F” mark aligns with the middle of the notch (front piston TDC) (see Camshaft Removal).
- ★ If necessary, align them.



- First, install the front camshaft.
- Engage the front camshaft sprocket with the camshaft chain as shown.
 - Timing Marks [A]
 - F mark [B]
 - Cylinder Head Upper Surface [C]
 - Front [D]
- Pull the front side (exhaust side) of the chain taut to install the camshaft.
- Install the front chain tensioner (see Camshaft Chain Tensioner Installation). The timing marks must be aligned with the cylinder head upper surface.



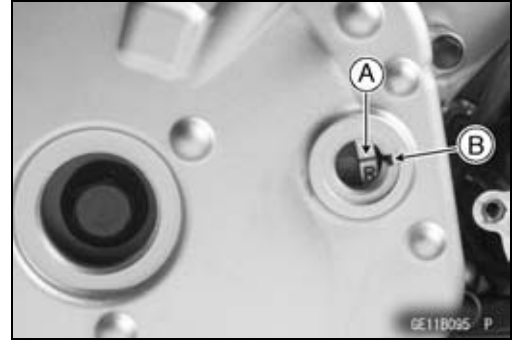
- Next, install the rear camshaft.
- Check to be sure that the front camshaft chain timing is correct.
- Turn the crankshaft counterclockwise [A].



5-28 ENGINE TOP END

Camshafts

- Align the “R” mark [A] (TDC mark for the rear piston) with the middle of the notch [B] (310° turn from the front piston TDC).



- Engage the rear camshaft sprocket with the camshaft chain as shown.

Timing Marks [A] and R Mark [B]
Cylinder Head Upper Surface [C]
Front [D]

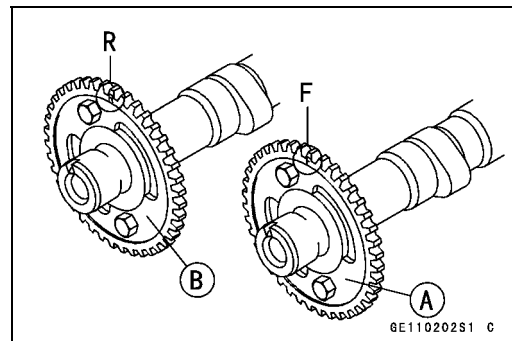
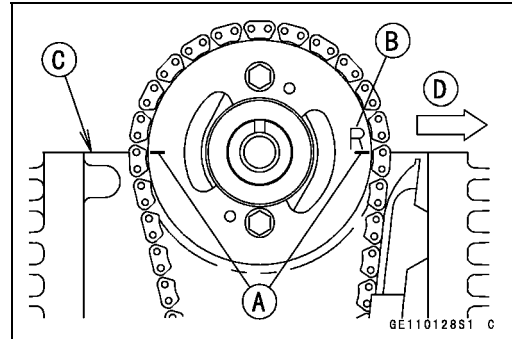
- Pull the front side (inlet side) of the chain taut to install the camshaft.
- Install the rear chain tensioner and check the front/rear chain timing again.
- The timing marks must be aligned with the cylinder head upper surface and positioned as shown after chain tensioner installation.
- Install the rocker cases and rocker case covers (see this chapter).
- Tighten:

**Torque - Timing Inspection Cap, Rotor Bolt Cap: 1.5 N·m
(0.15 kgf·m, 13 in·lb)**

Camshaft Sprocket Installation

- Use the sprocket marked F for the front camshaft [A] and the sprocket marked R for the rear camshaft [B].
- Apply a non-permanent locking agent to the camshaft sprocket bolts and tighten them to the specified torque.

Torque - Camshaft Sprocket Bolts: 15 N·m (1.5 kgf·m, 11 ft·lb)



Camshaft/Rocker Case Wear

- Cut strips of plastigage to journal width. Place a strip on each journal parallel to the camshaft installed in the correct position.
- Measure each clearance between the camshaft and the rocker case using plastigage.

NOTE

- Do not turn the camshaft when the plastigage is between the journal and camshaft cap.

Camshafts

- Apply molybdenum disulfide oil to the threads and seating surface of $\phi 12$ mm nuts and both sides of washers.
- Tighten the rocker case nuts and bolts temporarily following the tightening sequence shown, and then tighten them to the specified torque.

Torque - Rocker Case Nuts $\phi 12$ mm: 78 N·m (8.0 kgf·m, 58 ft·lb)

Rocker Case Nuts $\phi 8$ mm: 25 N·m (2.5 kgf·m, 18 ft·lb)

Rocker Case Bolts $\phi 6$ mm: 8.8 N·m (0.90 kgf·m, 78 in·lb)

Inlet Side [A]

- Remove the rocker case again, and measure the plastigage width [A] to determine the clearance between each journal and the rocker case. Measure the maximum plastigage width.

Camshaft/Rocker Case Clearance

Standard: ($\phi 25$) 0.020 ~ 0.062 mm
(0.000787 ~ 0.00244 in.)

($\phi 17$) 0.016 ~ 0.055 mm
(0.000630 ~ 0.00217 in.)

Service Limit: ($\phi 25$) 0.15 mm (0.00591 in.)
($\phi 17$) 0.14 mm (0.00551 in.)

- ★ If any clearance exceeds the service limit, measure the diameter of each camshaft journal with a micrometer.

Camshaft Journal Diameter

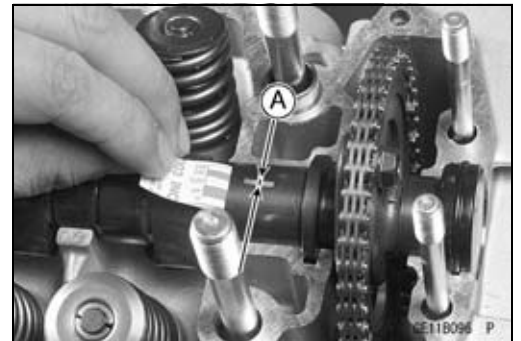
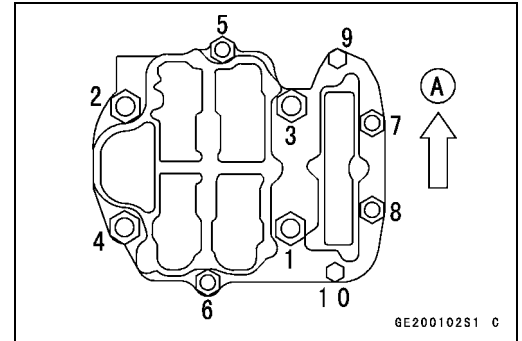
Standard: ($\phi 25$) 24.959 ~ 24.980 mm
(0.982638 ~ 0.983465 in.)

($\phi 17$) 16.966 ~ 16.984 mm
(0.667953 ~ 0.668661 in.)

Service Limit: ($\phi 25$) 24.93 mm (0.98150 in.)
($\phi 17$) 16.93 mm (0.66654 in.)

- ★ If the camshaft journal diameter is less than the service limit, replace the camshaft with a new one and measure the clearance again.

- ★ If the clearance still remains out of the limit, replace the cylinder head and rocker case.



CAUTION

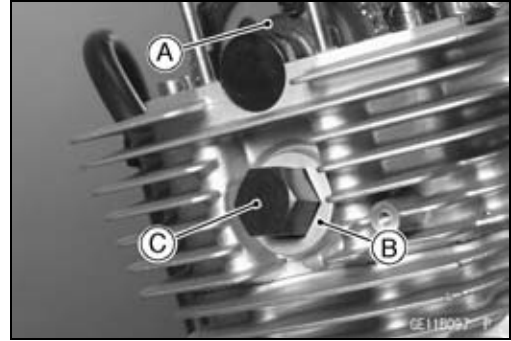
The rocker case and cylinder head are machined in the assembled state, so they must be replaced as a set.

5-30 ENGINE TOP END

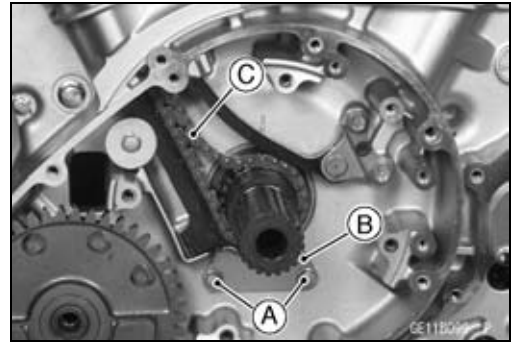
Camshafts

Front Camshaft Chain Removal

- Remove:
 - Front Camshaft [A] (see Camshaft Removal)
 - Spark Plug (left side, see Cylinder Compression Measurement)
 - Spark Plug Retainer [B] (left side)
- **Special Tool - Hexagon Wrench, Hex 27 [C]: 57001-1210**

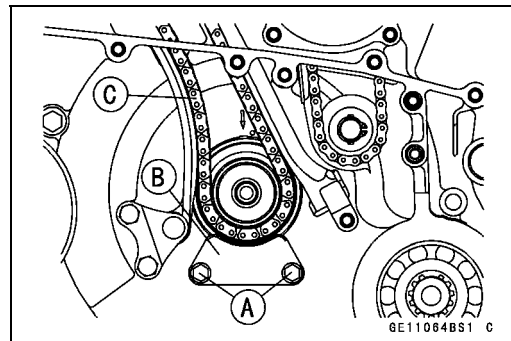


- Remove:
 - Alternator Rotor (see Electrical System chapter)
 - Lower Chain Guide Bolts [A]
 - Lower Chain Guide [B]
- Take out the front camshaft chain [C].



Rear Camshaft Chain Removal

- Remove:
 - Rear Camshaft (see Camshaft Removal)
 - Spark Plug (left side, see Cylinder Compression Measurement)
 - Spark Plug Retainer (see Front Camshaft Chain Removal)
 - Clutch (see Clutch chapter)
 - Starter Clutch Gear (see Crankshaft/Transmission chapter)
 - Primary Gear (see Crankshaft/Transmission chapter)
- Lower Chain Guide Bolts [A]
- Lower Chain Guide [B] (right view)
- Take out the rear camshaft chain [C].



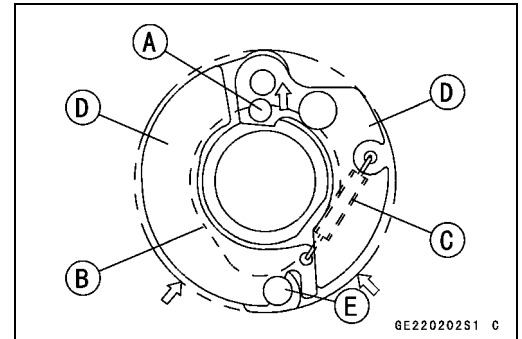
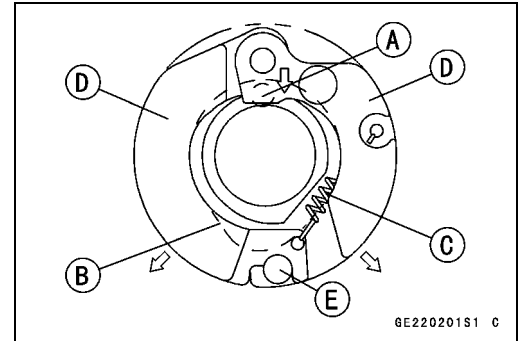
Camshafts

KACR Inspection

- Due to the simplicity of the KACR (Kawasaki Automatic Compression Release), no periodic maintenance is needed. There are only two symptoms of problems with the KACR mechanism: compression is not released during starting, and compression is released during running.
- The cylinder compression is not released during starting (abnormal): the pin [A] stays within the cam [B] and will not push up the exhaust rocker arm.
 - Remove the KACR unit and visually inspect the spring [C].
 - ★ If the spring is damaged, deformed, or missing, replace the spring.
 - Remove the spring and move the weights [D] back and forth.
 - ★ If the weights do not move smoothly all the way, replace the KACR unit. Also inspect the exhaust rocker arm for any damage, and replace the rocker arm if necessary.

Stopper [E]
- The cylinder compression is released while the engine is running (abnormal): the pin [A] stays out the cam [B] and pushes up the exhaust rocker arm.
 - Remove the spring [C] and move the weights [D] back and forth.
 - ★ If the weights do not move easily from the retracted position, replace the KACR unit. Also inspect the exhaust rocker arm for any damage, and replace the rocker arm if necessary.

Stopper [E]



5-32 ENGINE TOP END

Cylinder Head

Cylinder Compression Measurement

NOTE

○Be sure the battery is fully charged.

- Warm up the engine thoroughly.
- Stop the engine.
- Remove one spark plug and attach the compression gauge and adapter firmly into the spark plug hole. Do not remove the other spark plug, only the plug lead.
- For the other cylinder, remove both spark plugs.

Special Tool - Spark Plug Wrench, Hex 18: 57001-1024 [A]

- Using the starter motor, turn the engine over with the throttle fully open until the compression gauge stops rising; the compression is the highest reading obtainable.

Special Tools - Compression Gauge, 20 kgf/cm²: 57001-221 [A]

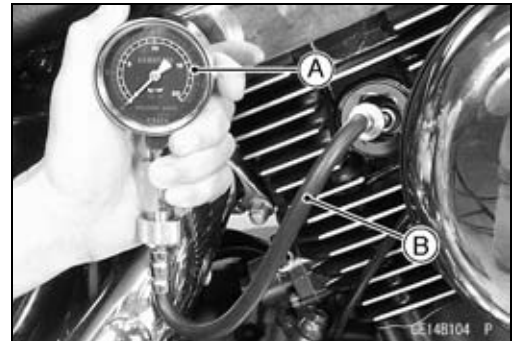
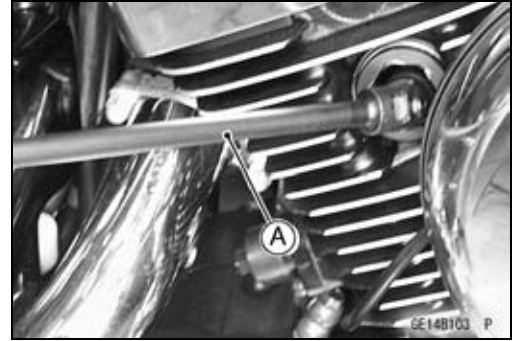
Compression Gauge Adapter, M12 × 1.25: 57001-1018 [B] (or 57001-1183)

Cylinder Compression (Usable Range)

**340 ~ 590 kPa (3.5 ~ 6.0 kgf/cm², 50 ~ 85 psi)
@300 r/min (rpm)**

- The compression gauge adapter: 57001-1183 can also be used.
- Repeat the measurement for the other cylinder.
- Install the spark plugs and tighten them.

Torque - Spark Plugs: 18 N·m (1.8 kgf·m, 13 ft·lb)



Cylinder Head

The following table should be consulted if the obtainable compression reading is not within the usable range.

Problem	Diagnosis	Remedy (Action)
Cylinder compression is higher than usable range	Carbon buildup on piston and in combustion chamber possibly due to damaged valve stem, valve guide, stem oil seal and/or damaged piston oil rings (This may be indicated by white exhaust smoke).	Remove the carbon deposits and replace damaged parts if necessary.
	Incorrect cylinder head gasket thickness.	Replace the gasket with a standard part.
	Damaged or missing compression release cam spring	Replace the spring.
	Compression release weights do not move smoothly.	Replace the compression release unit.
Cylinder compression is lower than usable range	Gas leakage around cylinder head	Replace damaged gasket and check cylinder head warp.
	Bad condition of valve seats, valves, and valve springs	Repair them if necessary.
	HLA seizure.	Replace the HLA.
	Incorrect piston/cylinder clearance	Replace the piston and/or cylinder.
	Piston seizure.	Inspect the cylinder and liner and replace/repair the cylinder and/or piston as necessary.
	Bad condition of piston ring and/or piston ring grooves.	Replace the piston and/or the piston rings.
	Compression release weights do not move smoothly.	Replace the compression release unit.

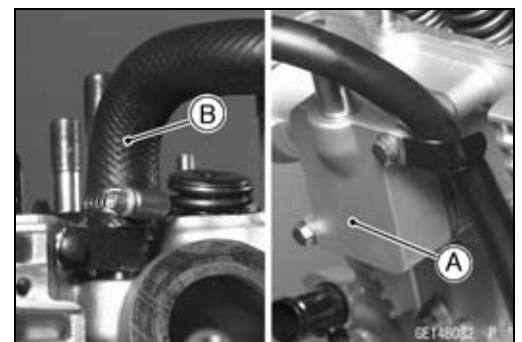
Cylinder Head Removal

- Remove:
 - Engine (see Engine Removal/Installation chapter)
 - Rocker Cases (see Rocker Case Removal)
 - Camshafts (see Camshaft Removal)
 - Spark Plug Retainers (Front Camshaft Chain Removal)

Special Tool - Hexagon Wrench, Hex 27: 57001-1210

○The camshaft chain comes off.

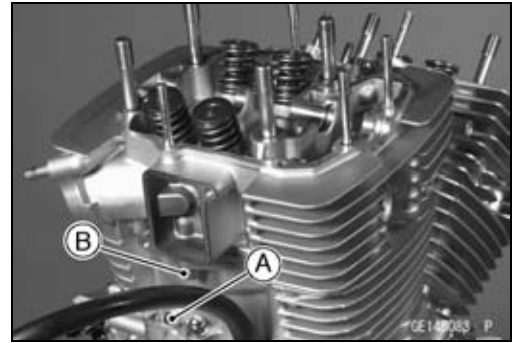
- Remove:
 - Air Suction Valve Cover with Valve [A]
 - Water Pipe with Hose [B]



5-34 ENGINE TOP END

Cylinder Head

- Do not remove the coolant drain plug [A] yet.
- Remove the cylinder head nuts [B].
- Take the cylinder head off the cylinder.



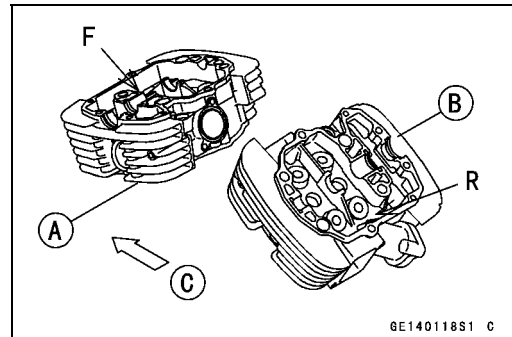
Cylinder Head Installation

- The front cylinder head [A] has an **F** mark while the rear cylinder head [B] has an **R** mark. Be careful not to mix them up.

Front [C]

CAUTION

The cylinder head and rocker case are machined in the assembled state, so they must be used as a set.



- Replace the cylinder head gasket with a new one.
- Tighten the cylinder head nuts temporarily (These nuts are tightened to the specified torque after installing rocker case installation).
- Apply grease to the O-ring [A].
- Pull the camshaft chain up the chain tunnel, insert the spark plug retainer [B] through the chain loop, and tighten it.

Special Tool - Hexagon Wrench, Hex 27: 57001-1210

Torque - Spark Plug Retainer: 12 N·m (1.2 kgf·m, 106 in·lb)
Spark Plugs: 18 N·m (1.8 kgf·m, 13 ft·lb)

- Install:
 - Camshafts (see Camshaft Installation)
 - Rocker Cases (see Rocker Case Installation)
- Tighten:

Torque - Cylinder Head Nuts and Cylinder Nuts: 25 N·m (2.5 kgf·m, 18 ft·lb)

Cylinder Head Warp

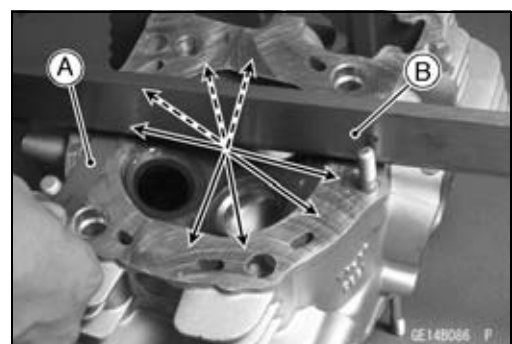
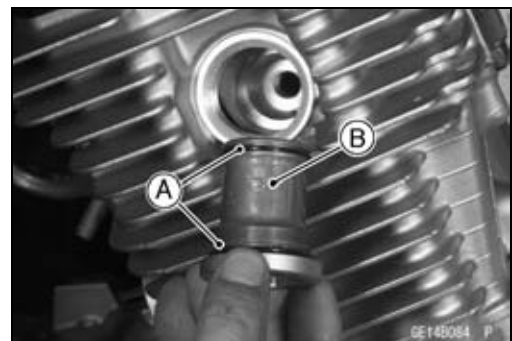
- Remove the cylinder head (see Cylinder Head Removal).
- Lay a straightedge across the lower surface of the cylinder head at several positions.
- Use a thickness gauge [A] to measure the space between the straight edge [B] and the head.

Cylinder Head Warp

Standard: - - -

Service Limit: 0.05 mm (0.002 in.)

- ★ If the cylinder head is warped more than the service limit, replace it.
- ★ If the cylinder head is warped less than the service limit, repair the head by rubbing the lower surface on emery paper secured to a surface plate (first No. 200, then No. 400).



Cylinder Head

Valve Clearance Adjustment

NOTE

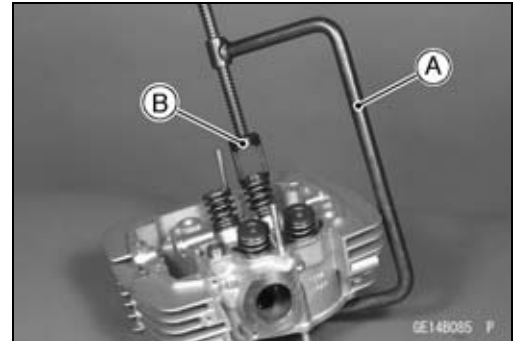
- Since the hydraulic lash adjusters constantly maintain zero clearance, it is not necessary to inspect or adjust the valve clearance.

Valve Removal

- Remove the cylinder head (see Cylinder Head Removal).
- Swing open the rocker arm.
- Using the valve spring compressor assembly, remove the valve.

Special Tools - Valve Spring Compressor Assembly: 57001-241 [A]

Valve Spring Compressor Adapter, $\phi 28.2$: 57001-243 [B]



Valve Installation

- Replace the stem oil seal with a new one.
- Apply a thin coat of molybdenum disulfide grease to the valve stem before valve installation.
- Install the springs so that the closed coil end faces downwards.

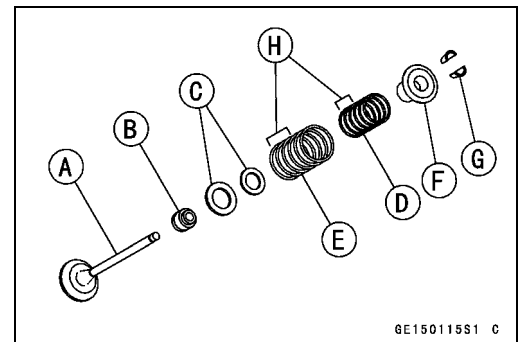
Valve [A] and Stem Oil Seal [B]

Spring Seats [C]

Inner Spring [D] and Outer Spring [E]

Retainer [F] and Split Keepers [G]

Closed Coil End [H]



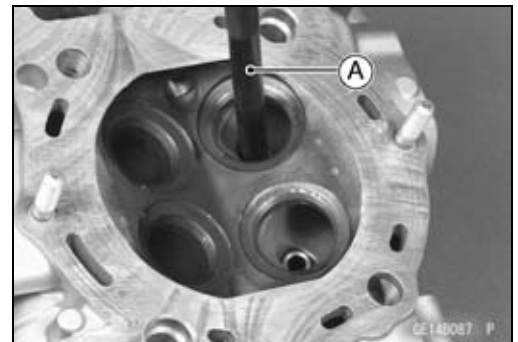
Valve Guide Removal

- Remove the valve, stem oil seal and spring seats.
- Heat the area around the valve guide to 120 ~ 150°C (248 ~ 302°F), and hammer lightly on the valve guide arbor [A] to remove the guide from the top of the head.

Special Tool - Valve Guide Arbor, $\phi 7$: 57001-163

CAUTION

Do not heat the cylinder head with a blowtorch. This will warp the head. Soak the cylinder head in engine oil and heat the oil.



5-36 ENGINE TOP END

Cylinder Head

Valve Guide Installation

- Apply engine oil to the valve guide outer surface before installation.
- Heat the area around the valve guide hole to about 120 ~ 150°C (248 ~ 302°F) in the engine oil.
- Drive the valve guide in from the top of the head using the valve guide arbor. The flange stops the guide from going in too far.

Special Tool - Valve Guide Arbor, $\phi 7$: 57001-163

- Wait until the cylinder head cools down and then ream the valve guide with the valve guide reamer [A] even if the old guide is reused.
- Turn the reamer in a clockwise direction until the reamer turns freely in the guide. Never turn the reamer counter-clockwise or it will be dulled.
- Once the guides are reamed, they must be cleaned thoroughly.

Special Tool - Valve Guide Reamer, $\phi 7$: 57001-162

Valve Guide Wear (Wobble Method)

- If a small bore gauge is not available, inspect the valve guide wear by measuring the valve-to-guide clearance with the wobble method as indicated below. The reading is not actual valve-to-guide clearance because the measuring point is above the guide.
- Insert a new valve [A] into the guide [B] and set a dial gauge against the stem perpendicular to it as close as possible to the cylinder head mating surface.
- Move the stem back and forth [C] to measure valve-to-guide clearance.
- Repeat the measurement in a direction at a right angle (90°) to the first.
- ★ If the reading exceeds the service limit, replace the guide.

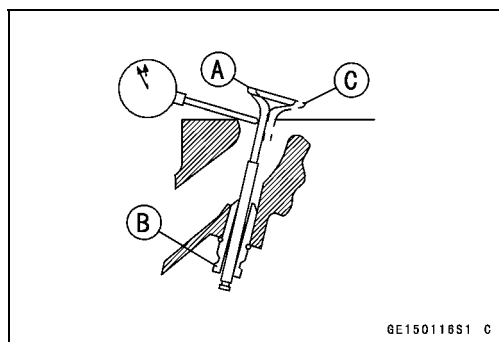
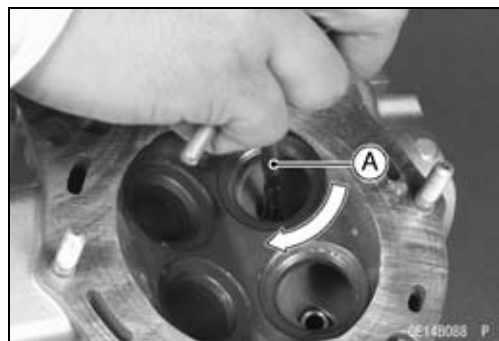
Valve-to-Guide Clearance (Wobble Method)

Standard:

Exhaust	0.08 ~ 0.16 mm (0.0031 ~ 0.00630 in.)
Inlet	0.05 ~ 0.13 mm (0.0020 ~ 0.00512 in.)

Service Limit:

Exhaust	0.30 mm (0.0118 in.)
Inlet	0.27 mm (0.0106 in.)



Cylinder Head

Valve Seat Inspection

- Remove the valve (see Valve Removal).
- Check the valve seat surface [A] between the valve [B] and valve seat [C].
- Measure the outside diameter [D] of the seating pattern on the valve seat with vernier calipers.
- ★ If the outside diameter is too large or too small, repair the seat (see Valve Seat Repair).

Valve Seat Surface Outside Diameter (Seat O.D.)

Standard:

Exhaust 31.9 ~ 32.1 mm (1.256 ~ 1.264 in.)

Inlet 36.4 ~ 36.6 mm (1.433 ~ 1.441 in.)

- Measure the seat width [E] of the portion where there is no build-up carbon (white portion) of the valve seat with vernier calipers.

Good [F]

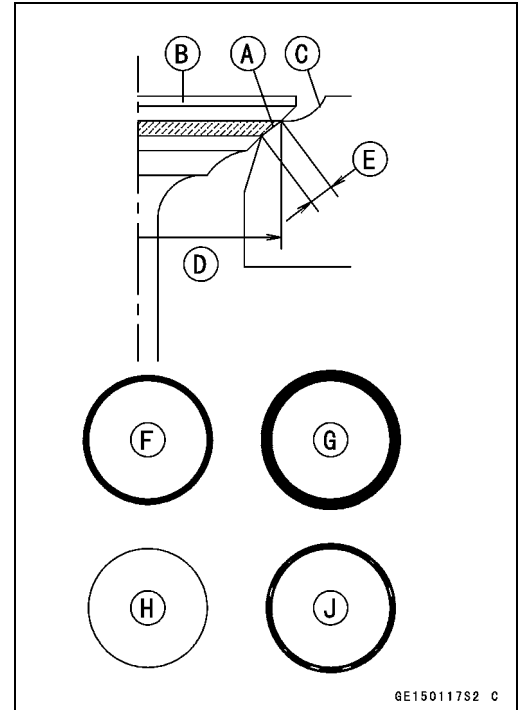
- ★ If the width is too wide [G], too narrow [H] or uneven [J], repair the seat (see Valve Seat Repair).

Valve Seat Surface Width (or Seat Width)

Standard:

Exhaust 0.8 ~ 1.2 mm (0.031~ 0.047 in.)

Inlet 0.5 ~ 1.0 mm (0.020 ~ 0.039 in.)



GE150117S2 C

Valve Seat Repair

- Repair the valve seat with the valve seat cutters [A].

Special Tools - Valve Seat Cutter Holder, $\phi 7$: 57001-1126 [B]

Valve Seat Cutter Holder Bar: 57001-1128 [C]

For Exhaust Valve Seat

Valve Seat Cutter, 45° - $\phi 35$: 57001-1116

Valve Seat Cutter, 32° - $\phi 35$: 57001-1121 (or 32° - $\phi 33$: 57001-1199)

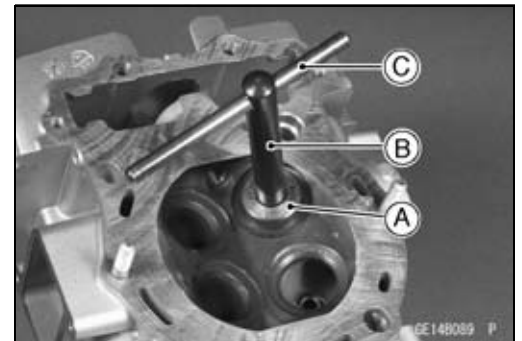
Valve Seat Cutter, 55° - $\phi 35$: 57001-1247

For Inlet Valve Seat

Valve Seat Cutter, 45° - $\phi 40$: 57001-1496

Valve Seat Cutter, 32° - $\phi 38.5$: 57001-1122

Valve Seat Cutter, 55° - $\phi 38.5$: 57001-1497



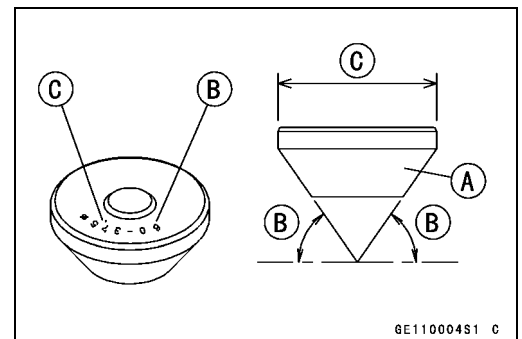
GE148089 P

- The marks stamped on the back of the cutter [A] represent the following.

55° Cutter Angle [B]

37.5 ϕ Outer Diameter of Cutter [C]

- ★ If the manufacturer's instructions are not available, use the following procedure.



GE110004S1 C

5-38 ENGINE TOP END

Cylinder Head

Seat Cutter Operation Care

1. This valve seat cutter is developed to grind the valve for repair. Therefore the cutter must not be used for other purposes than seat repair.

Do not drop or shock the valve seat cutter, or the diamond particles may fall off.

Do not fail to apply engine oil to the valve seat cutter before grinding the seat surface. Also wash off ground particles sticking to the cutter with washing oil.

CAUTION

Do not use a wire brush to remove the metal particles from the cutter. It will take off the diamond particles.

Setting the valve seat cutter holder in position, operate the cutter in one hand. Do not apply too much force to the diamond portion.

NOTE

○Prior to grinding, apply engine oil to the cutter. During operation, wash off any ground particles sticking to the cutter with washing oil

After use, wash it with washing oil and apply thin layer of engine oil before storing.

Operating Procedures

- Clean the seat area carefully.
- Coat the seat with machinist's dye.
- Fit a 45° cutter [A] into the holder [B] and slide it into the valve guide.
- Press down lightly on the handle and turn it right or left [C]. Grind the seat surface only until it is smooth.

CAUTION

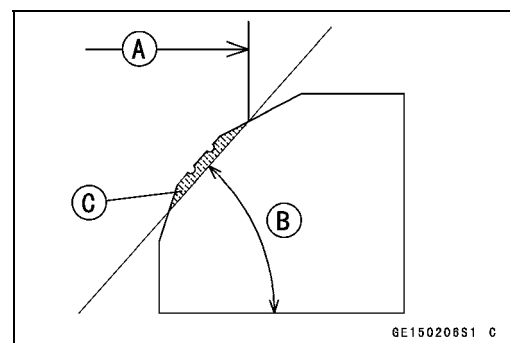
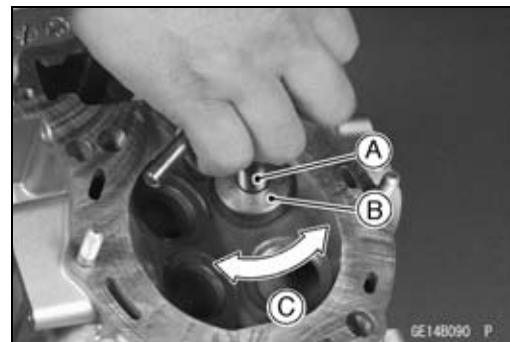
Do not grind the seat too much. Overgrinding will reduce valve clearance by sinking the valve into the head. If the valve sinks too far into the head, HLA could not work and the cylinder head must be replaced.

- Measure the outside diameter [A] of the seat surface (seat O.D.) with vernier calipers.
- ★ If the seat O.D. is too small, repeat the 45° grind [B] until the diameter is within the specified range.
Ground Volum [C]

NOTE

- Remove all pittings or flaws from 45° ground surface.
- After grinding with 45° cutter, apply thin coat of machinist's dye to seat surface. This makes seat surface distinct and 32° and 55° grinding operation easier.
- When the valve guide is replaced, be sure to grind with 45° cutter for centering and good contact.

- ★ If the seat O.D. is too large, make the 32° grind described below.



Cylinder Head

- To make the 32° grind, fit a 32° cutter into the holder, and slide it into the valve guide.
- Turn the holder one turn at a time while pressing down very lightly. Check the seat after each turn.

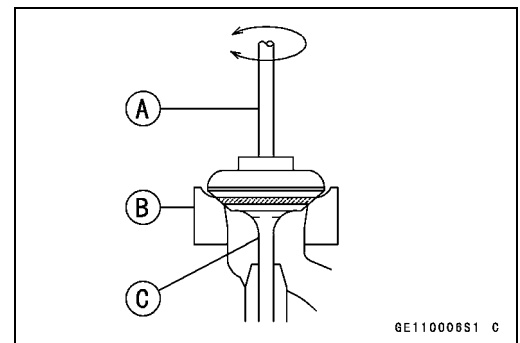
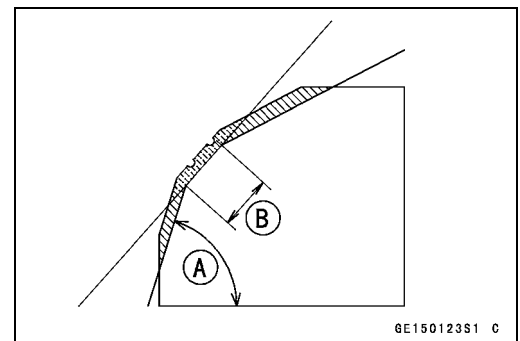
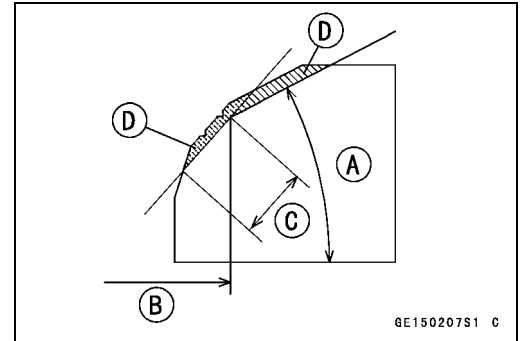
CAUTION

The 32° cutter removes material very quickly. Check the seat outside diameter frequently to prevent overgrinding.

- Grind the seat at a 32° angle [A] until the seat O.D. [B] is within the specified range.
- ★ If the seat O.D. is within the specified range, measure the seat width as described below.
- To measure the seat width, use vernier calipers to measure the width [C] of the 45° angle portion of the seat at several places around the seat.
Ground Voluum [D]
- ★ If the seat width is too narrow, repeat the 45° grind until the seat is slightly too wide, and then measure the seat O.D..
- ★ If the seat width is too wide, make the 55° grind described below.
- To make the 55° grind, fit 55° cutter into the holder, and slide it into the valve guide.
- Turn the holder, while pressing down lightly.
- Grind the seat at a 55° angle [A] until the seat width [B] is within the specified range.
- ★ If the seat width is within the specified range, lap the valve to the seat as described below.

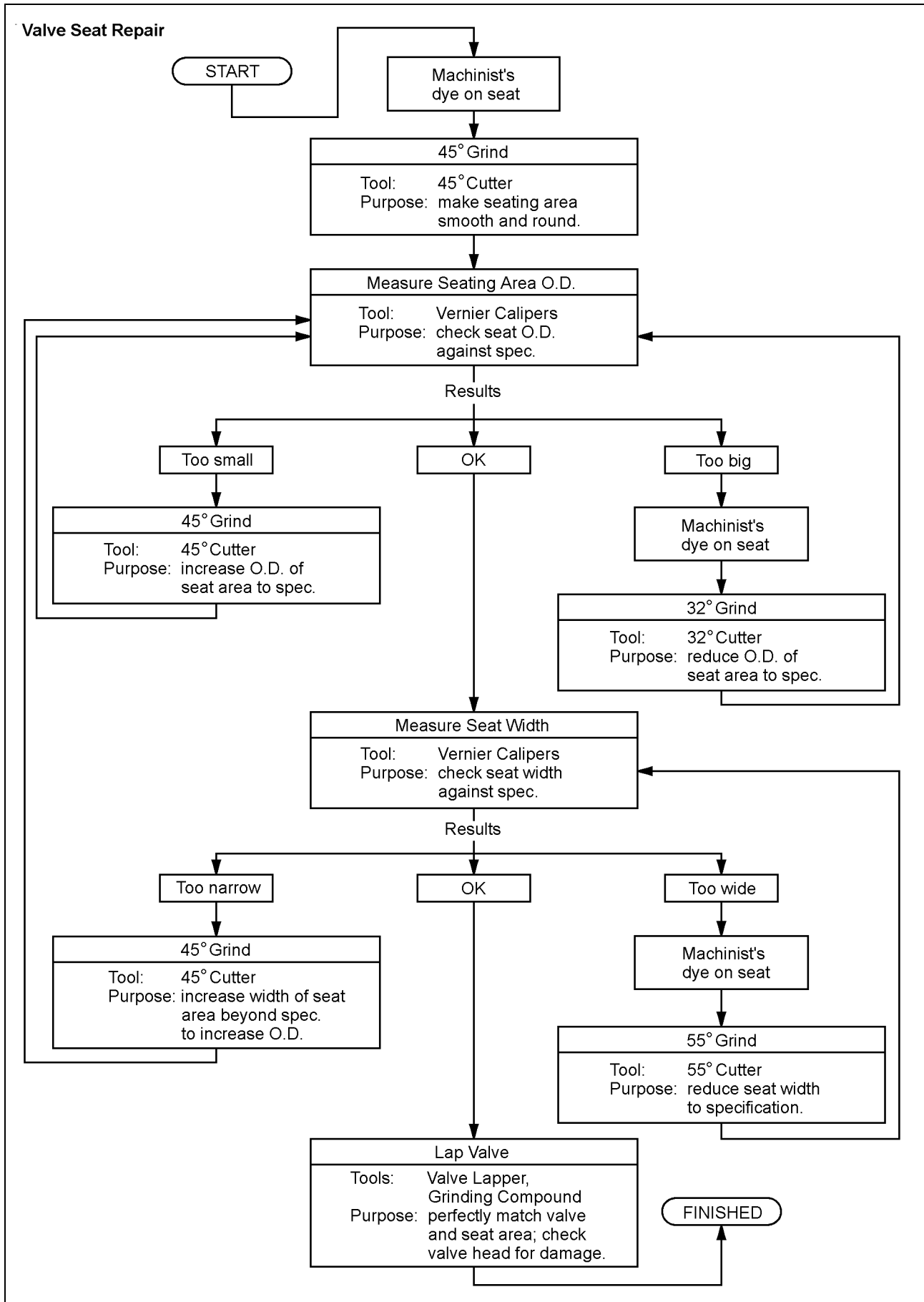
- Lap the valve to the seat, once the seat width and O.D. are within the ranges specified above.
- Put a little coarse grinding compound on the face of the valve in a number of places around the valve head.
- Spin the valve against the seat until the grinding compound produces a smooth, matched surface on both the seat and the valve.
- Repeat the process with a fine grinding compound.
Lapper [A]
Valve Seat [B]
Valve [C]

- The seat area should be marked about in the middle of the valve face.
- ★ If the seat area is not in the right place on the valve, check to be sure the valve is the correct part. If it is, it may have been refaced too much; replace it.
- Be sure to remove all grinding compound before assembly.



5-40 ENGINE TOP END

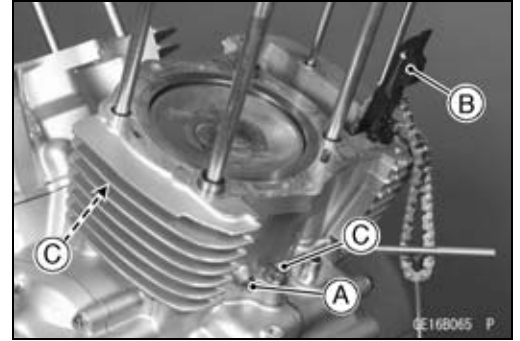
Cylinder Head



Cylinders, Piston

Cylinder Removal

- Remove the cylinder head (see Cylinder Head Removal).
- Remove the coolant drain plug [A] and drain the coolant from the cylinder.
- Pull out the front camshaft chain guide [B].
- Remove the cylinder nuts [C].
- Tap lightly up the cylinder with a plastic mallet to separate from the crankcase.
- Remove the cylinder base gasket.

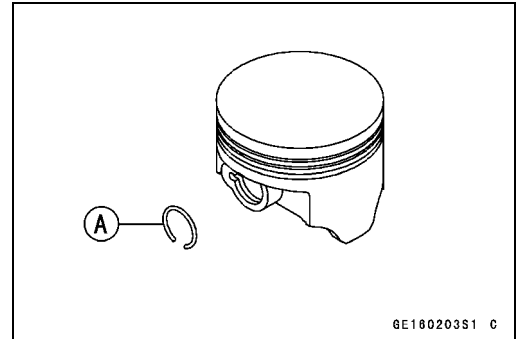


Piston Removal

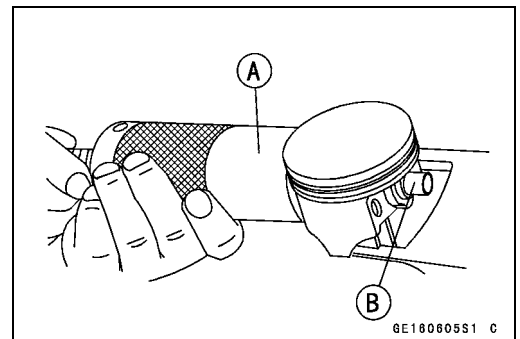
- Remove the cylinder block (see Cylinder Removal).
- Place a piece of clean cloth under the piston and remove the piston pin snap rings [A] from the outside of each piston.

CAUTION

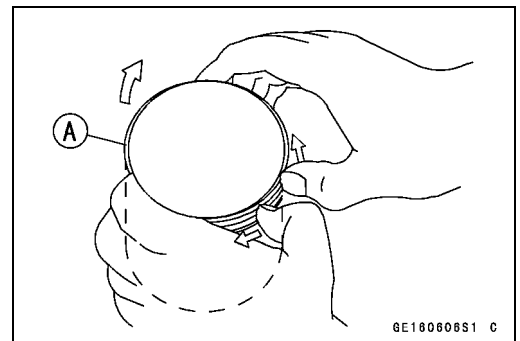
Do not reuse snap rings, as removal weakens and deforms them. They could fall out and score the cylinder wall.



- Using the piston pin puller assembly, remove the piston pins.
 - Special Tools - Piston Pin Puller Assembly [A]: 57001-910**
 - Piston Pin Puller Adapter, ϕ 14 [B]: 57001-1211**
- Remove the piston.



- Carefully spread the ring opening with your thumbs and then push up on the opposite side of the ring [A] to remove it.
- Remove the 3-piece oil ring with your thumbs in the same manner.

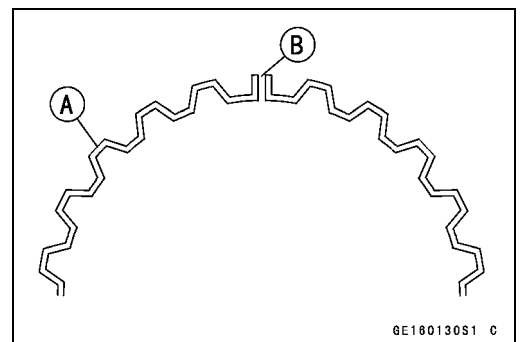


Cylinder, Piston Installation

NOTE

○The oil ring rails have no “top” or “bottom”.

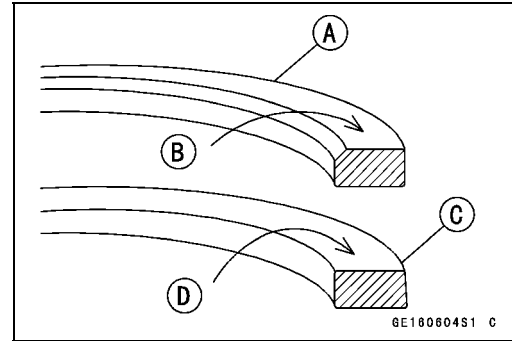
- Install the oil ring expander [A] in the bottom piston ring groove so the ends [B] butt together.
- Install the oil ring steel rails, one above the expander and one below it.
- Spread the rail with your thumbs, but only enough to fit the rail over the piston.
- Release the rail into the bottom piston ring groove.



5-42 ENGINE TOP END

Cylinders, Piston

- Do not mix up the top ring and second ring.
- Install the top ring [A] so that the “R” mark [B] faces up.
- Install the second ring [C] so that the “RN” mark [D] faces up.



- The piston ring openings must be positioned as shown in the figure. The openings of the oil ring steel rails must be about 30 ~ 45° [F] of angle from the opening of the top ring.

Top Ring [A]

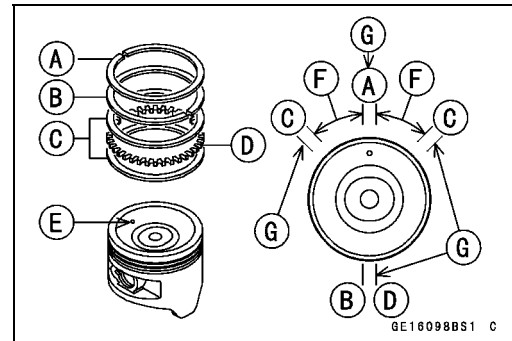
Second Ring [B]

Oil Ring Steel Rails [C]

Oil Ring Expander [D]

Circle mark [E] must be faced toward the engine front.

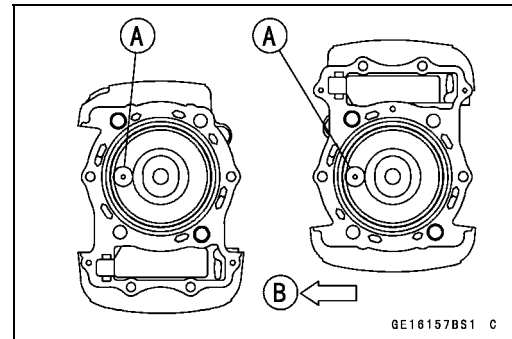
Opening Positions [G]



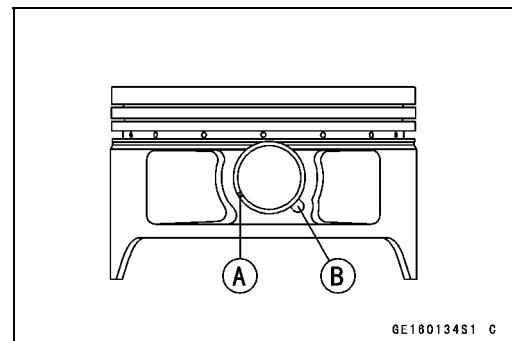
- Face the circle mark [A] on each piston toward the front side [B].
- The front and rear pistons are the same, but they should be installed in their original positions.

CAUTION

Incorrect installation of the piston could cause piston seizure and result in severe engine damage.



- Fit a new piston pin snap ring into the side of the piston so that the ring opening [A] does not coincide with the slit [B] of the piston pin hole.
- Apply molybdenum disulfide oil to the outer surface of the piston pin.
- When installing the piston pin snap ring, compress it only enough to install it and no more.
- Apply molybdenum disulfide oil to the cylinder bore.
- Apply molybdenum disulfide oil to the front and rear of the piston skirt.
- Install the rear cylinder first, with the rear piston at TDC.

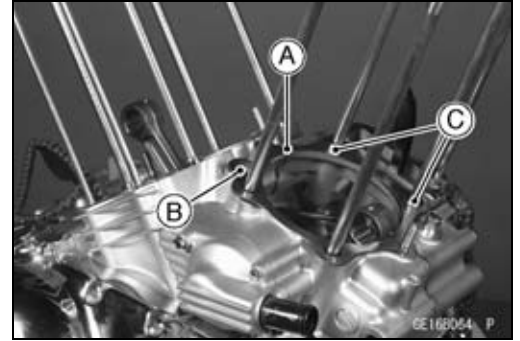


Cylinders, Piston

NOTE

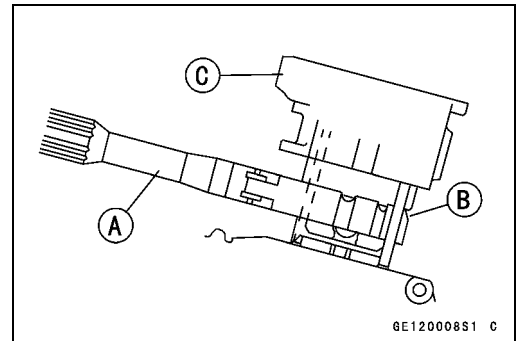
○ If a new piston or cylinder is used, check piston to cylinder clearance (see *Piston/Cylinder Clearance*), and use new piston ring.

- Replace the cylinder base gasket [A] with a new one, and install the gaskets aligning the holes with the crankcase water passages [B].
- Be sure to install the dowel pins [C].

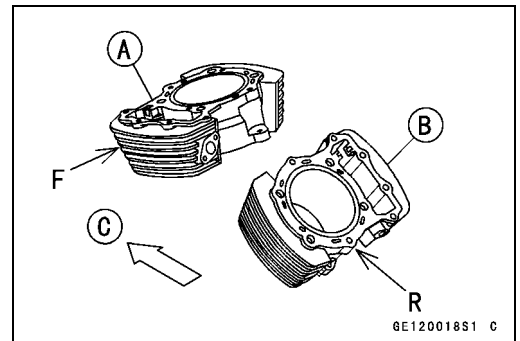


- Using the piston ring compressor assembly [A] with the chamfered side [B] upward, install the cylinder block [C].

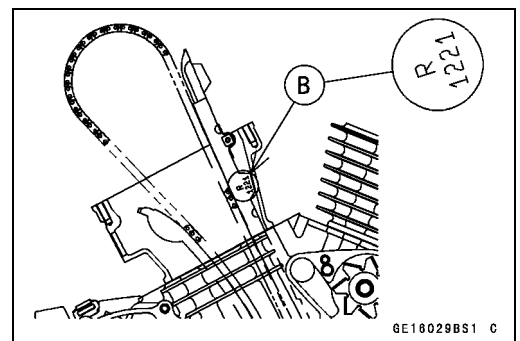
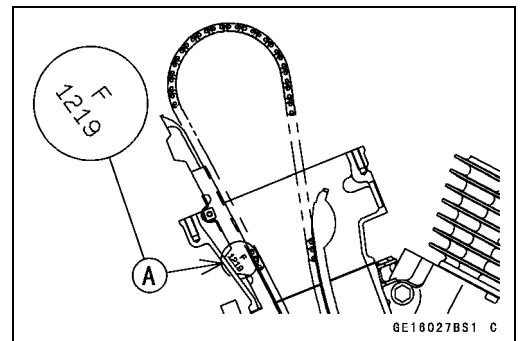
Special Tools - Piston Ring Compressor Grip: 57001-1095
Piston Ring Compressor Belt, $\phi 95 \sim \phi 108$: 57001-1358



- The front cylinder [A] has an **F** mark and the rear cylinder [B] has an **R** mark. Be careful not to mix them up.
 Front [C]



- Insert the chain guide into the cylinder.
- The front chain guide for the front cylinder has an **F** mark [A] and the front chain guide for the rear cylinder has an **R** mark [B]. Be careful not to mix up these chain guides since the front chain guide for the rear cylinder is longer.



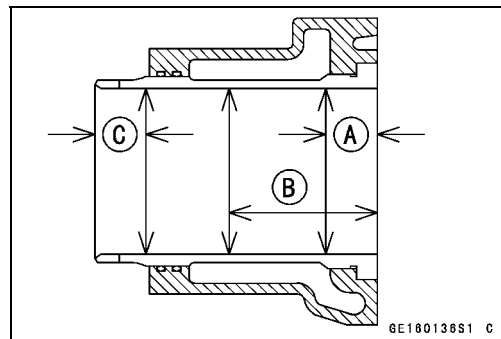
5-44 ENGINE TOP END

Cylinders, Piston

- Install the front cylinder in the same way.
- Position the front piston at TDC.
- Tighten the cylinder nuts temporarily (These nuts are tightened to the specified torque after rocker case installation).

Cylinder Wear

- Since there is a difference in cylinder wear in different directions, take a side-to-side and a front-to-back measurement at each of the three locations (total of six measurements) shown in the figure.
- ★ If any of the cylinder inside diameter measurements exceeds the service limit, replace the cylinder.
 - 10 mm (0.394 in.) [A]
 - 70 mm (2.756 in.) [B]
 - 20 mm (0.787 in.) [C]



Cylinder Inside Diameter

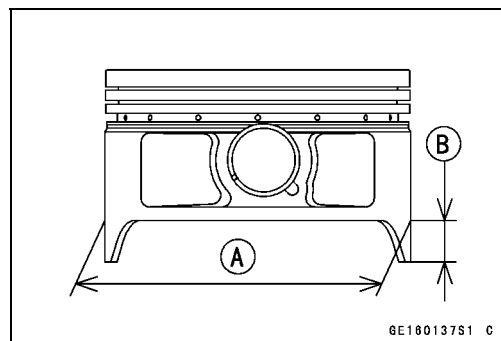
- Standard:** 102.000 ~ 102.012 mm (4.015748 ~ 4.01622 in.), and less than 0.01 mm (0.0004 in.) difference between any two measurements.
- Service Limit:** 102.10 mm (4.01969 in.) or 0.05 mm (0.002 in.) difference between any two measurements.

Piston Wear

- Measure the outside diameter [A] of each piston 5 mm [B] up from the bottom of the piston at a right angle to the direction of the piston pin.
- ★ If the measurement is under service limit, replace the piston.

Piston Diameter

- Standard:** 101.942 ~ 101.957 mm (4.013457 ~ 4.014047 in.)
- Service Limit:** 101.79 mm (4.00748 in.)



Piston/Cylinder Clearance

- Subtract the piston diameter from the cylinder inside diameter to get the piston/cylinder clearance.

Piston/Cylinder Clearance

- Standard:** 0.043 ~ 0.070 mm (0.00169 ~ 0.00276 in.)

- ★ If the piston/cylinder clearance is less than the specified range, use a smaller piston made within the standard diameter or increase the cylinder inside diameter within the standard diameter by honing.
- ★ If the piston/cylinder clearance is greater than specified range, use a larger piston made within the standard diameter.
- ★ If only a piston is replaced, the clearance may exceed the standard slightly. But it must not be less than the minimum of the clearance in order to avoid piston seizure.

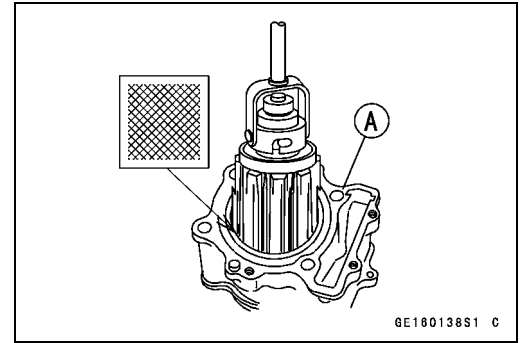
Cylinders, Piston

Cylinder Boring and Honing

○ There is an oversize piston available. The oversize piston requires oversize rings.

Oversize Piston and Rings: 0.5 mm (0.02 in.) oversize

- Before boring a cylinder [A], first measure the exact diameter of the oversize piston, and then, according to the standard clearance in the Specifications, determine the rebore diameter. However, if the amount of boring necessary would make the inside diameter greater than **0.5 mm (0.02 in.)**, the cylinder block must be replaced.
- Cylinder inside diameter must not vary more than **0.01 mm (0.0004 in.)** at any point.
- Be wary of measurements taken immediately after boring since the heat affects cylinder diameter.
- In the case of rebored cylinder and oversize piston, the service limit for the cylinder is the diameter that the cylinder was bored to plus **0.1 mm (0.004 in.)** and the service limit for the piston is the oversize piston original diameter minus **0.15 mm (0.0059 in.)**. If the exact figure for the rebored diameter is unknown, it can be roughly determined by measuring the diameter at the base of the cylinder.



Piston Ring, Piston Ring Groove Wear

- Check for uneven groove wear by inspecting the ring seating.
- ★ The rings should fit perfectly parallel to groove surfaces. If not, replace the piston and all the piston rings.
- With the piston rings in their grooves, make several measurements with a thickness gauge [A] to determine piston ring/groove clearance.

Piston Ring/Groove Clearance

Standard:

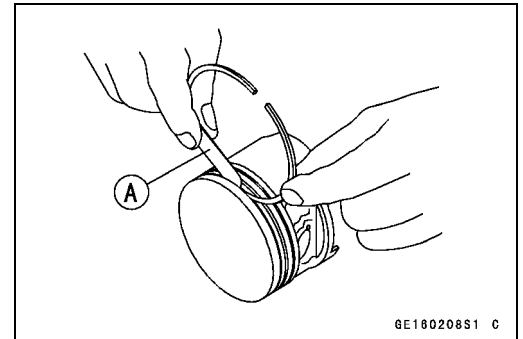
Top 0.05 ~ 0.09 mm (0.00197 ~ 0.00354 in.)

Second 0.03 ~ 0.07 mm (0.0012 ~ 0.0028 in.)

Service Limit:

Top 0.19 mm (0.00748 in.)

Second 0.17 mm (0.00669 in.)



- ★ If the piston ring groove clearance is greater than the service limit, measure the ring thickness and groove width as follows to decide whether to replace the rings, the piston or both.

5-46 ENGINE TOP END

Cylinders, Piston

Piston Ring Groove Width

- Measure the width of the top [A] and second [B] ring grooves.
- Use vernier calipers at several points around the piston.

Piston Ring Groove Width

Standard:

Top 1.24 ~ 1.26 mm (0.048819 ~ 0.049606 in.)

Second 1.22 ~ 1.24 mm (0.04803 ~ 0.04882 in.)

Service Limit:

Top 1.34 mm (0.05276 in.)

Second 1.32 mm (0.05197 in.)

- ★ If the width of any of the two grooves is wider than the service limit at any point, replace the piston.

Piston Ring Thickness

- Measure the thickness of the top [A] and second [B] rings.
- Use a micrometer to measure at several points around the ring.

Piston Ring Thickness

Standard:

Top 1.17 ~ 1.19 mm (0.04606 ~ 0.04685 in.)

Second 1.17 ~ 1.19 mm (0.04606 ~ 0.04685 in.)

Service Limit:

Top 1.10 mm (0.0433 in.)

Second 1.10 mm (0.0433 in.)

- ★ If any of the measurements is less than the service limit on either of the rings, replace all the rings.

NOTE

- When using new rings in a used piston, check for uneven groove wear. The rings should fit perfectly parallel to the groove sides. If not, replace the piston.

Piston Ring End Gap

- Place the piston ring [A] inside the cylinder, using the piston to locate the ring squarely in place. Set it close to the bottom of the cylinder, where cylinder wear is low.
- Measure the gap [B] between the ends of the ring with a thickness gauge.

Piston Ring End Gap

Standard:

Top 0.25 ~ 0.35 mm (0.0098 ~ 0.0138 in.)

Second 0.40 ~ 0.55 mm (0.0157 ~ 0.0217 in.)

Oil 0.3 ~ 0.9 mm (0.012 ~ 0.035 in.)

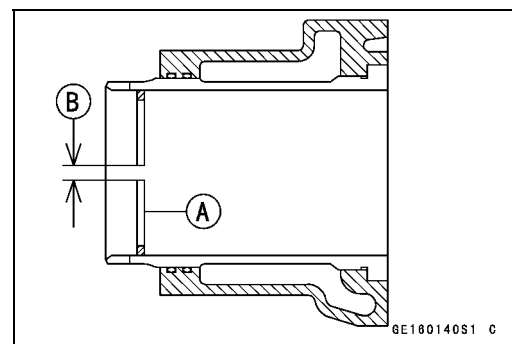
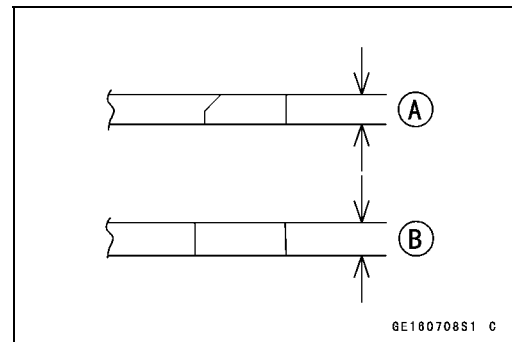
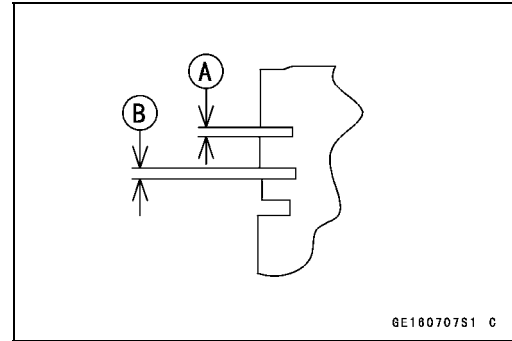
Service Limit:

Top 0.7 mm (0.028 in.)

Second 0.8 mm (0.031 in.)

Oil 1.2 mm (0.0472 in.)

- ★ If the end gap of either ring is greater than the service limit, replace all the rings.



Mufflers

Exhaust Pipe Removal

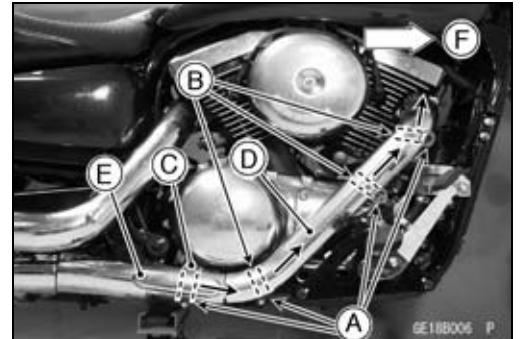
⚠ WARNING

To avoid a serious burn, do not remove the exhaust pipe or muffler when the engine is still hot. Wait until the muffler cools down.

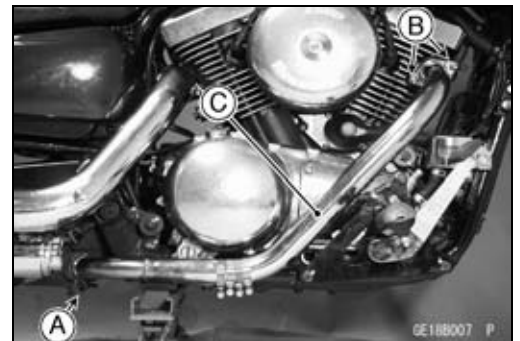
- Loosen the upper muffler bracket bolt [A] for easy removal or installation of exhaust pipes.



- Loosen the clamp screws [A].
- Detach the upper clamps [B] by sliding them up or forward.
- Detach the lower clamp [C] by sliding it forward.
- Remove the front exhaust pipe cover [D] and then lower front exhaust pipe cover [E].
Front [F]



- Loosen the front exhaust pipe clamp bolt [A].
- Remove the front exhaust pipe holder nuts [B].
- Take off the front exhaust pipe [C].

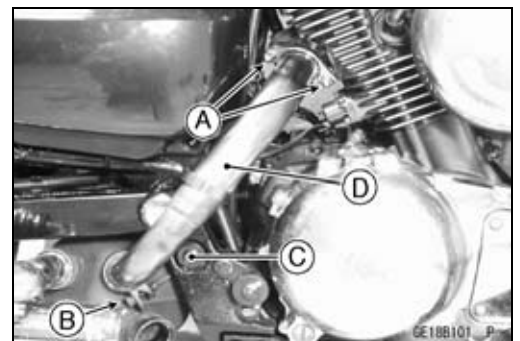


○Next, remove the rear exhaust pipe.

- Loosen the clamp screws [A] on the rear exhaust pipe cover [B].
- Detach the clamps [C] by sliding it up.
- Remove the rear exhaust pipe cover by sliding it forward.



- Remove the rear exhaust pipe holder nuts [A].
- Loosen the rear exhaust pipe clamp bolt [B].
- Loosen the right side chamber bolt [C].
- Pull the upper end of the rear exhaust pipe outward and twist clockwise a little, and then take off the rear exhaust pipe [D].



5-48 ENGINE TOP END

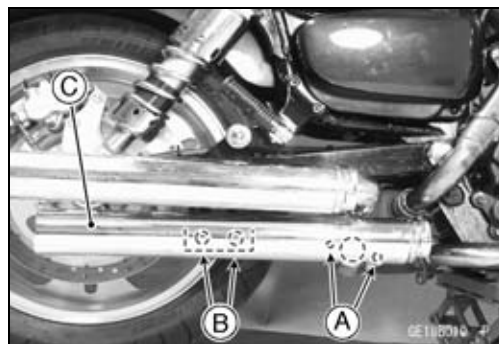
Mufflers

Lower Muffler Removal

- Remove:
 - Front and Rear Exhaust Pipe Covers (see above)
 - Chamber Flange Nuts [A]
 - Muffler Bracket Bolts [B]
- Remove the lower muffler [C].

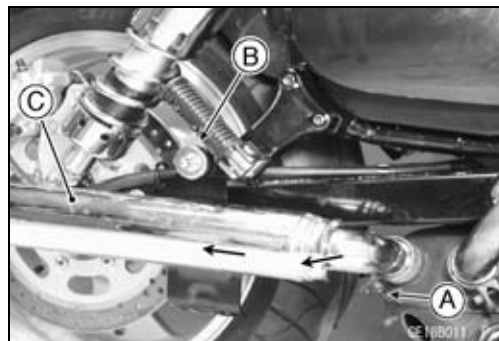
NOTE

○If the chamber flange nuts are difficult to remove, spray a penetrating oil on the studs and nuts.



Upper Muffler Removal

- Remove:
 - Lower Muffler (see above)
 - Muffler Pipe Clamp Bolt [A]
 - Upper Muffler Bracket Bolt [B]
- Remove the upper muffler [C].



Muffler, Exhaust Pipe Installation

- Replace the exhaust pipe holder gasket with new ones.
- Install the rear exhaust pipe.
- Tighten:

Torque - Premuffler Chamber Bolt: 29 N·m (3.0 kgf·m, 21 ft·lb)

- Fit the three plastic tabs [A] of the rear exhaust cover into the slots in the upper muffler [B].

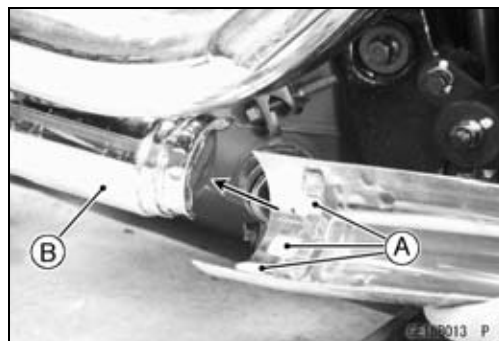
- Tighten:

Torque - Muffler Stay Mounting Bolts, $\phi 8$ (lower): 25 N·m (2.5 kgf·m, 18 ft·lb)

Upper Muffler Mounting Nuts: 25 N·m (2.5 kgf·m, 18 ft·lb)

Upper Muffler Bracket Bolt and Nut: 29 N·m (3.0 kgf·m, 21 ft·lb)

- Install the front exhaust pipe.
- Fit the three plastic tabs [A] of the front exhaust cover into the slots in the lower muffler [B].



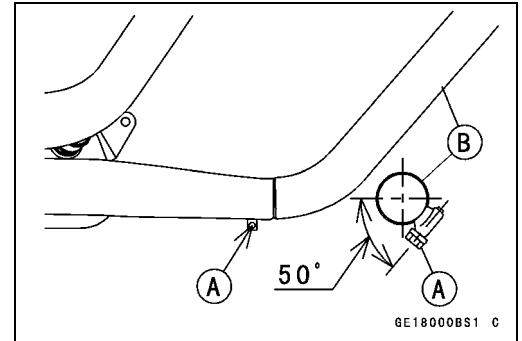
Mufflers

- Tighten the front exhaust pipe cover clamp screw [A] with its head inclined at 50° or less to horizontal as shown. This prevents the screw from touching ground when banking.

Front Exhaust Pipe [B]

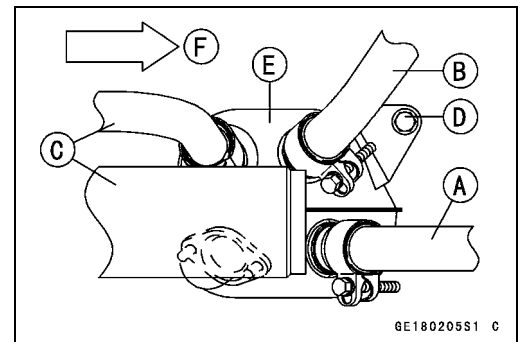
Torque - Exhaust Pipe Cover Clamp Screws: 6.9 N·m (0.70 kgf·m, 61 in·lb)

- First, tighten all the bolts and nuts to a snug fit.
- Secondary, tighten the exhaust pipe holder nuts evenly.
- Finally, tighten the rest of the mounting bolts and clamp bolts securely.
- Thoroughly warm up the engine, wait until the engine cools down, and retighten all the clamp bolts.



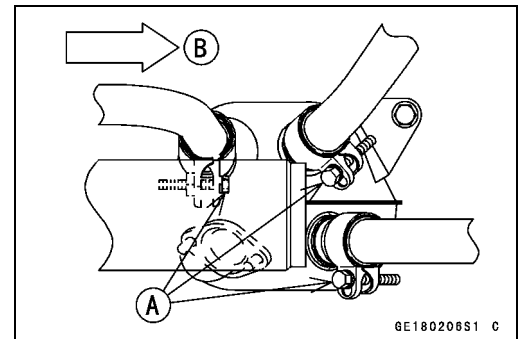
Chamber Removal

- Remove:
 - Front Exhaust Pipe [A]
 - Rear Exhaust Pipe [B]
 - Lower and Upper Mufflers [C]
 - Right and Left Chamber Bolts [D]
- Take out the premuffler chamber [E].
- Front [F]



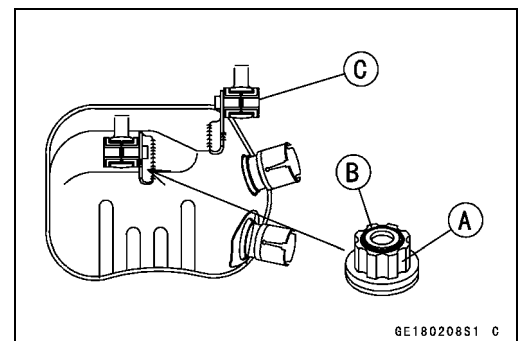
Chamber Installation

- Replace the muffler flange gasket with new ones.
- Install the exhaust pipe and muffler pipe clamps [A] with its bolt downward.
- Front [B]
- Tighten:
 - Torque - Premuffler Chamber Bolts: 29 N·m (3.0 kgf·m, 21 ft·lb)**



Chamber Assembly

- Apply a soap and water solution or rubber lubricant to the surface of the rubber bushings and install them into the brackets of the chamber as shown (Top View).
 - Rubber Bushings [A] ($\phi 24.8$ mm (0.976 in.)) with a raised ring [B]
 - Rubber Bushings [C] ($\phi 25.3$ mm (0.996 in.)) without raised ring



5-50 ENGINE TOP END

Mufflers

Chamber Identification

○The all models have a premuffler chamber (Identification No. KHI M 092) with a honeycomb type catalytic converter and without any catalyst protection system. Do not mix up this chamber with the other type chamber (especially with a non-catalyst chamber). The motorcycle could not clear the emission regulation.

→: Exhaust Gas Flow

Premuffler Chamber [A]

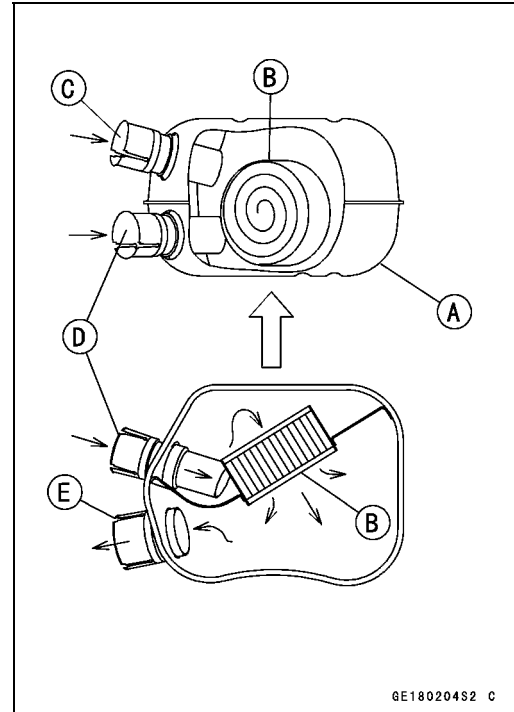
Honeycomb Type Catalytic Converter [B]

Inlet [C] from Rear Exhaust Pipe

Inlet [D] from Front Exhaust Pipe

Premuffler Chamber Outlet [E]

- Refer to the VN1500 G/H Service Manual (Part No. 99924 -1241) for more information about the KLEEN (theory, maintenance, and handling precautions), including the secondary air injection system.



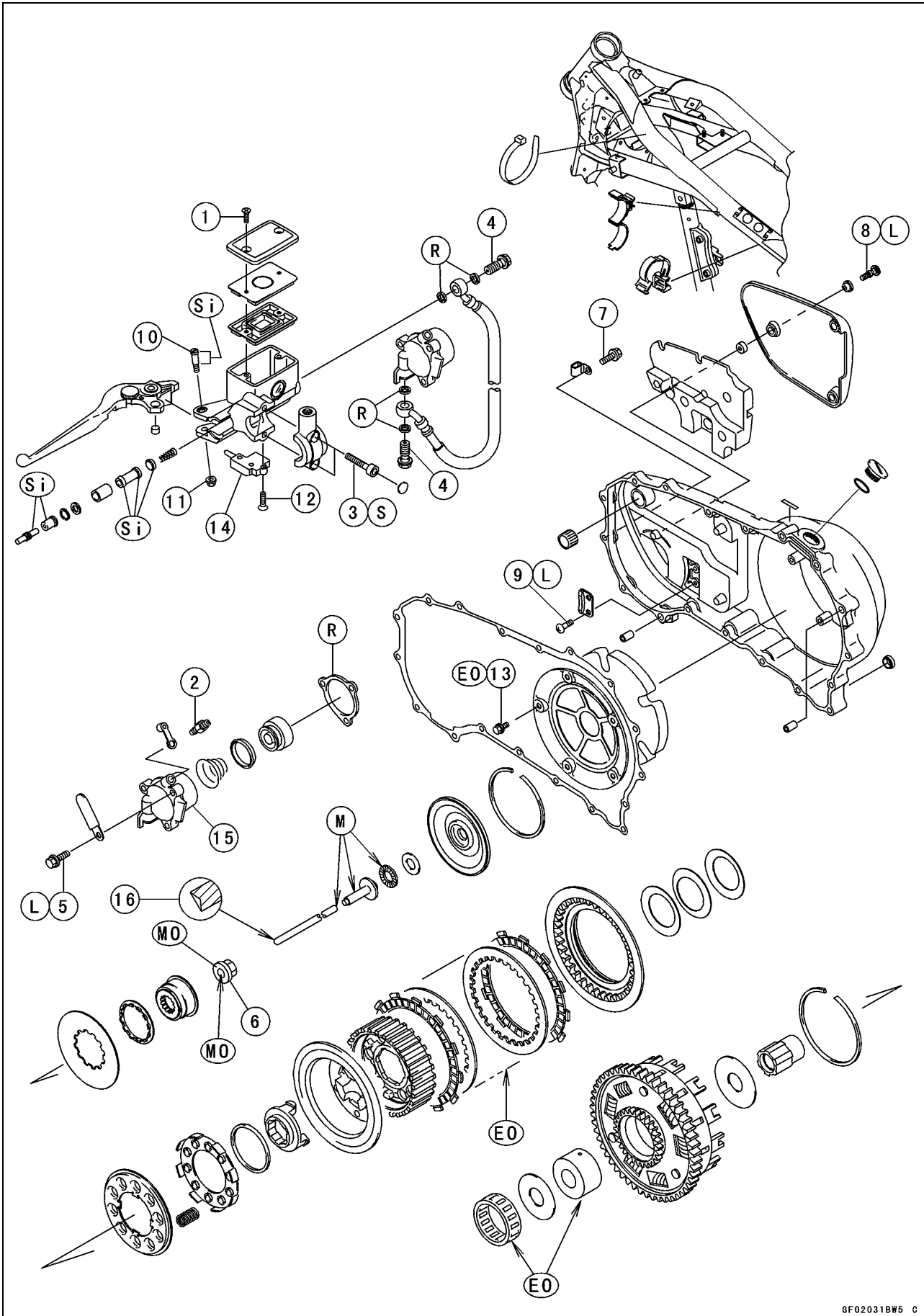
Clutch

Table of Contents

Exploded View	6-2
Specifications	6-4
Special Tools and Sealant	6-5
Clutch Fluid.....	6-6
Clutch Fluid Level Check	6-6
Clutch Fluid Change	6-6
Clutch Line Bleeding	6-6
Clutch Hose Removal/Installation	6-6
Clutch Hose and Connection Check	6-6
Clutch Master Cylinder	6-7
Clutch Lever Adjustment.....	6-7
Clutch Master Cylinder Removal	6-7
Clutch Master Cylinder Installation	6-7
Clutch Master Cylinder Disassembly/Assembly.....	6-8
Clutch Master Cylinder Inspection	6-8
Clutch Slave Cylinder	6-9
Clutch Slave Cylinder Removal	6-9
Clutch Slave Cylinder Installation	6-9
Clutch Slave Cylinder Disassembly/Assembly.....	6-10
Clutch	6-11
Clutch Cover Removal	6-11
Clutch Removal.....	6-11
Clutch Installation.....	6-13
Inner Clutch Hub Disassembly.....	6-14
Spring Plate Gap Measurement.....	6-14
Spring Plate Gap Adjustment.....	6-16
Friction and Steel Plate Wear, and Damage Inspection	6-16
Friction or Steel Plate Warp	6-16
Clutch Spring Height Measurement	6-17
Clutch Housing Finger Inspection	6-17
Outer Clutch Hub Spline Inspection.....	6-17
Cam Damper Inspection	6-17

6-2 CLUTCH

Exploded View



Exploded View

No.	Fastener	Torque			Remarks
		N·m	kgf·m	ft·lb	
1	Clutch Reservoir Cap Screws	1.5	0.15	13 in·lb	
2	Clutch Slave Cylinder Bleed Valve	7.8	0.80	69 in·lb	
3	Clutch Master Cylinder Clamp Bolts	9.8	1.0	87 in·lb	S
4	Clutch Hose Banjo Bolt	25	2.5	18	
5	Clutch Slave Cylinder Bolts	6.9	0.70	61 in·lb	L
6	Clutch Hub Nut	147	15	108	MO
7	Clutch Cover Bolts	11	1.1	97 in·lb	
8	Clutch Damper Cover Bolts	9.8	1.0	87 in·lb	L
9	Clutch Cover Damper Screws	4.9	0.50	43 in·lb	L
10	Clutch Lever Pivot Bolt	1.0	0.10	8.9 in·lb	Si
11	Clutch Lever Pivot Bolt Locknut	5.9	0.60	52 in·lb	
12	Starter Lockout Switch Screw	1.2	0.12	10 in·lb	
13	Clutch Damper Plate Bolts	9.8	1.0	87 in·lb	EO

14. Starter lockout switch

15. Clutch slave cylinder

16. Cup point side faces outside.

EO: Apply engine oil.

L: Apply a non-permanent locking agent.

M: Apply molybdenum disulfide grease.

MO: Apply molybdenum disulfide oil.

The molybdenum disulfide oil is a mixture of engine oil and molybdenum disulfide grease with a weight ratio (10 : 1)

R: Replacement Parts

S: Follow the specific tightening sequence.

Si: Apply silicone grease or PBC grease.

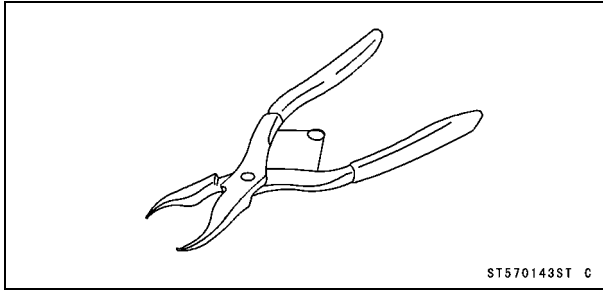
6-4 CLUTCH

Specifications

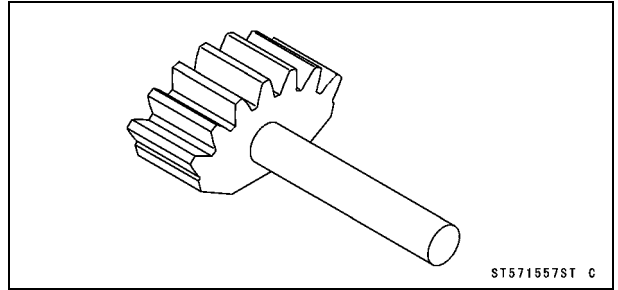
Item	Standard	Service Limit
Clutch Fluid Grade	DOT4 (provided when shipping)	— — —
Clutch Lever Position	No. 1 (to suit rider)	5-way adjustable
Clutch Lever Free Play	Non-adjustable	— — —
Clutch		
Clutch Spring Free Height	4.3 mm (0.169 in.)	4 mm (0.16 in.)
Spring Plate Gap (Usable Range)	1.95 ~ 2.45 mm (0.0768 ~ 0.0965 in.)	— — —
Friction Plate Thickness	3.3 ~ 3.5 mm (0.130 ~ 0.138 in.)	3.1 mm (0.122 in.)
Friction Or Steel Plate Warp	0.2 mm (0.0079 in.) or less	0.3 mm (0.012 in.)

Special Tools and Sealant

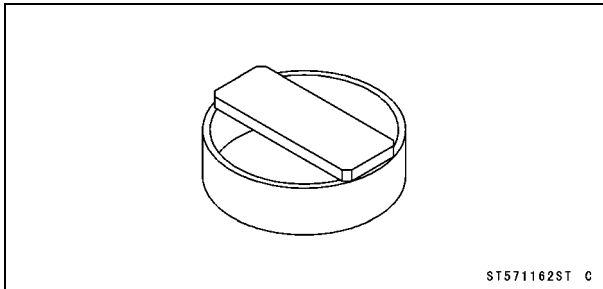
Inside Circlip Pliers:
57001-143



Gear Holder, m2.0:
57001-1557



Clutch Spring Compressor:
57001-1162



6-6 CLUTCH

Clutch Fluid

Clutch Fluid Level Check

- Refer to Clutch Fluid Level Inspection in the Periodic Maintenance Chapter.

Clutch Fluid Change

- Refer to Clutch Fluid Change in the Periodic Maintenance Chapter.

Clutch Line Bleeding

- Remove:
 - Alternator Outer Cover (see Electrical System chapter)
- With the reservoir cap off, slowly pump the clutch lever several times until no air bubbles can be seen rising up through the fluid from the holes at the bottom of the reservoir. This bleeds the air from the master cylinder end of the line.

NOTE

- Tap the clutch hose lightly going from the lower end to the upper end and bleed the air off at the reservoir.
- Attach a clear plastic hose [A] to the bleed valve on the clutch slave cylinder, and run the other end of the hose into a container.
- Bleed the clutch line as follows:
 - Pump the clutch lever a few times until it becomes hard and then hold it applied [B].
 - Quickly open and close [C] the bleed valve.
 - Release [D] the clutch lever.
 - Check the fluid level in the reservoir often, replenishing it as necessary.

NOTE

- If the fluid in the reservoir runs completely out any time during bleeding, the bleeding operation must be done over again from the beginning since air will have entered the line.
- Repeat this operation until no more air can be seen coming out into the plastic hose.

⚠ WARNING

Do not mix different grades and brands of fluid.

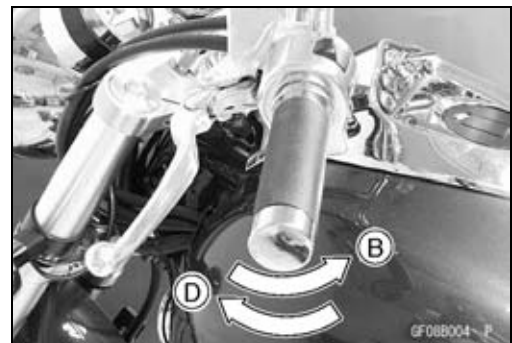
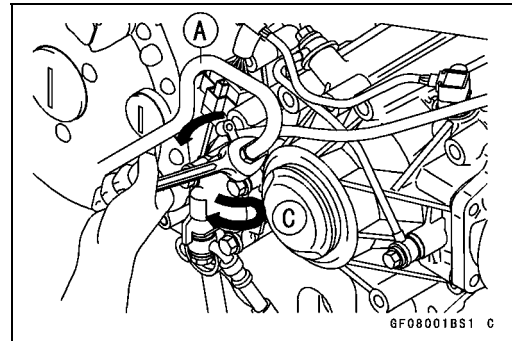
- Tighten:
 - Torque - Clutch Reservoir Cap Screws: 1.5 N·m (0.15 kgf·m, 13 in·lb)
 - Clutch Slave Cylinder Bleed Valve: 7.8 N·m (0.80 kgf·m, 69 in·lb)

Clutch Hose Removal/Installation

- Since the clutch hose is the same as the brake hose, refer to Brake Hoses section in the Brakes chapter for brake hose removal or installation.

Clutch Hose and Connection Check

- Refer to Clutch Hose and Connection Inspection in the Periodic Maintenance Chapter.

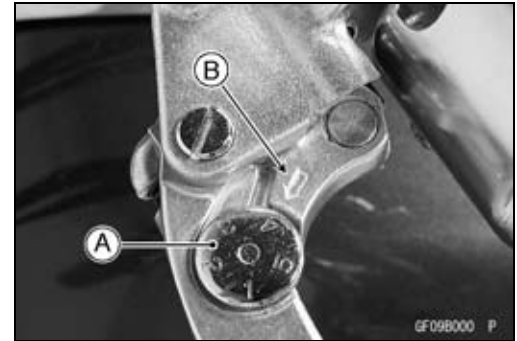


Clutch Master Cylinder

Clutch Lever Adjustment

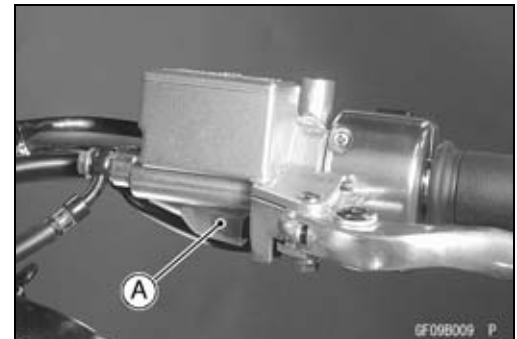
The adjuster has 5 positions so that the clutch lever position can be adjusted to suit the operator's hand.

- Push the lever forward and turn the adjuster [A] to align the number with the arrow mark [B] on the lever holder (front view).
- The distance from the grip to the lever is minimum at number 5 and maximum at number 1.

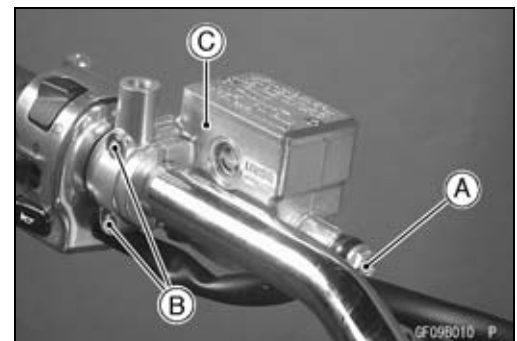


Clutch Master Cylinder Removal

- Disconnect the starter lockout switch connector [A].
- Draw out the clutch fluid from the reservoir with a means like the fork oil level gauge.



- Remove the clamp bolt caps.
- Remove the banjo bolt [A] to disconnect the clutch hose from the master cylinder (rear view).
- Unscrew the clamp bolts [B], and take off the master cylinder [C] as an assembly with the clutch reservoir, clutch lever, and starter lockout switch installed.



CAUTION

Clutch fluid quickly ruins painted surface; any spilled fluid should be completely washed away immediately.

Clutch Master Cylinder Installation

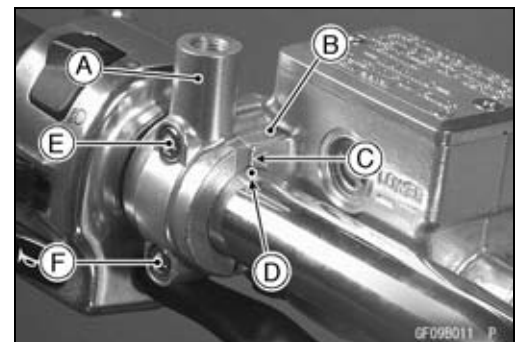
- The master cylinder clamp must be installed with the rear view mirror boss [A] upward.
- Set the clutch master cylinder [B] to match its mating surface [C] to the punch mark [D] of the handlebar (rear view).
- Tighten the upper clamp bolt [E] first, and then the lower clamp bolt [F]. There will be a gap at the lower part of the clamp after tightening.

Torque - Clutch Master Cylinder Clamp Bolts: 9.8 N·m (1.0 kgf·m, 87 in·lb)

- Use a new flat washer on each side of the clutch hose fitting.
- Tighten the clutch hose banjo bolt.

Torque - Clutch Hose Banjo Bolt: 25 N·m (2.5 kgf·m, 18 ft·lb)

- Replenish the clutch fluid into the reservoir and bleed the clutch line (see Clutch Line Bleeding).
- Check that the clutch line has proper fluid pressure and no fluid leakage.



6-8 CLUTCH

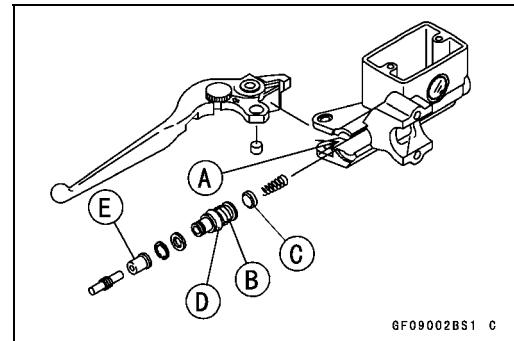
Clutch Master Cylinder

Clutch Master Cylinder Disassembly/Assembly

- Refer to Clutch Master Cylinder Cup and Dust Cover Replacement in the Periodic Maintenance Chapter.

Clutch Master Cylinder Inspection

- Disassemble the clutch master cylinder.
- Check that there are no scratches, rust or pitting on the inside of the master cylinder [A] and on the outside of the piston [B].
- ★ If the master cylinder or piston shows any damage, replace them.
- Inspect the primary cup [C] and secondary cup [D].
- ★ If a cup is worn, damaged, softened (rotted), or swollen, the piston assembly should be replaced to renew the cups.
- If fluid leakage is noted at the clutch lever, the piston assembly should be replaced to renew the cups.
- Check the dust cover [E] for damage.
- If it is damaged, replace it.
- Check that the relief and supply ports are not plugged.
- ★ If the small relief port becomes plugged, the clutch will drag. Blow the ports clean with compressed air.
- Check the piston return spring for any damage.
- ★ If the spring is damaged, replace it.



Clutch Slave Cylinder

Clutch Slave Cylinder Removal

- Remove:
 - Alternator Outer Cover (see Electrical System chapter)
 - Banjo Bolt [A]
 - Clutch Slave Cylinder Bolts [B]
 - Slave Cylinder [C]

CAUTION

Immediately wash away any clutch fluid that spills. It may damage painted surfaces.

- Perform the following if the clutch slave cylinder is to be removed but not disassembled.

CAUTION

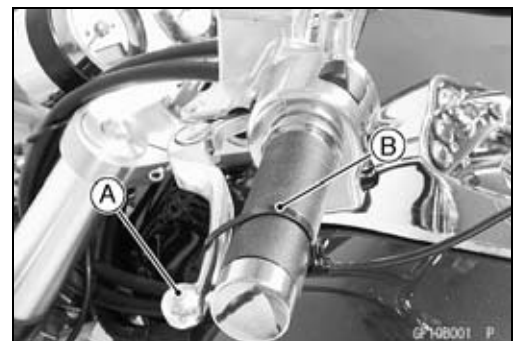
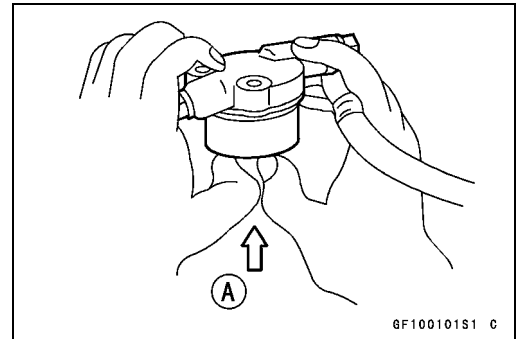
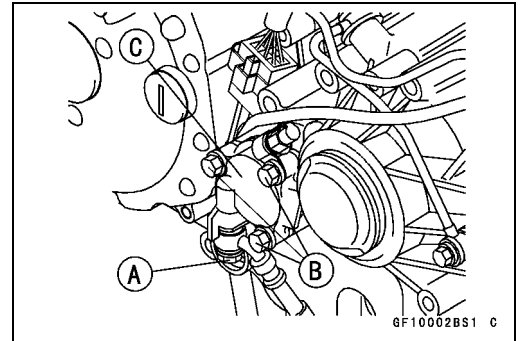
If the clutch slave cylinder is removed and left alone, the piston will be pushed out by spring force and the clutch fluid will drain out.

- Remove the clutch slave cylinder with the pipe installed.
- Push [A] the piston into the cylinder as far as it will go.

- Apply the clutch lever [A] slowly and hold it with a band [B].

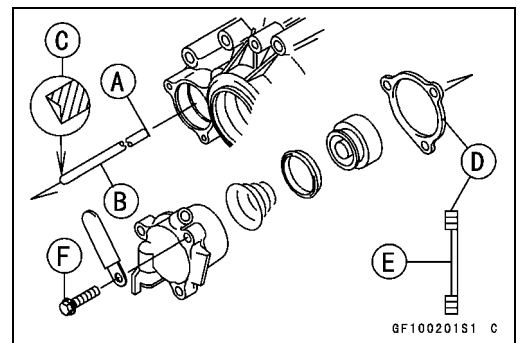
NOTE

- *Holding the clutch lever keeps the piston from coming out.*



Clutch Slave Cylinder Installation

- Apply molybdenum disulfide grease to the flat end [A] of the push rod [B].
- Install the push rod so that the flat end faces in.
 - Cup Point [C]
- Replace the spacer [D] of the clutch slave cylinder with a new one.
- Install the spacer so that the stepped side [E] faces outward.
- Apply a non-permanent locking agent to the threads of the clutch slave cylinder bolts [F].
- Finger tighten the clutch slave cylinder bolts.
- Remove the band from the clutch lever and release the clutch lever.



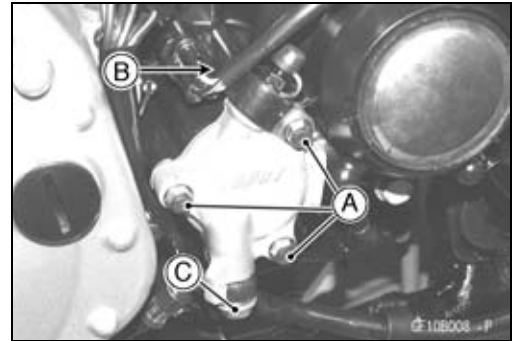
6-10 CLUTCH

Clutch Slave Cylinder

- Tighten the bolts [A].
Torque - Clutch Slave Cylinder Bolts: 6.9 N·m (0.70 kgf·m, 61 in·lb)
- Put the clamp [B] together the clutch slave cylinder bolt and bend along the slave cylinder with the end of the clamp straight to the engine side as shown in the figure. This clamp is to prevent the edge of the slave cylinder from damaging the wire, not to clamp the wire.
- Replace the washers on each side of the clutch hose fitting with new ones.
- Tighten the banjo bolt [C] to the specified torque.
Torque - Clutch Hose Banjo Bolt: 25 N·m (2.5 kgf·m, 18 ft·lb)
- Check the fluid level in the master cylinder reservoir, and bleed the air in the clutch line.
- Check the clutch operation.

Clutch Slave Cylinder Disassembly/Assembly

- Refer to Clutch Slave Cylinder Fluid Seal Replacement in the Periodic Maintenance Chapter.



Clutch

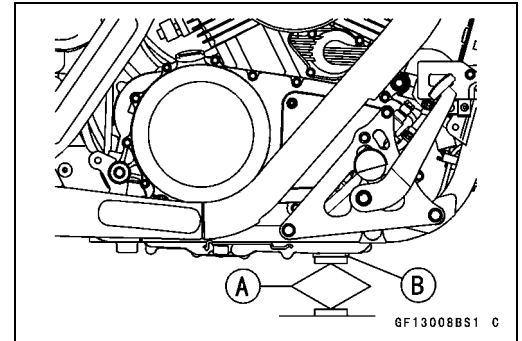
Clutch Cover Removal

- Raise the rear wheel off the ground.

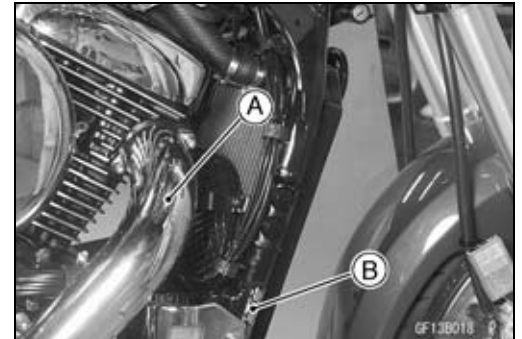
Special Tools - Jack: 57001-1238

Attachment Jack: 57001-1398

- Drain the engine oil (see Periodic Maintenance chapter).
- Support the engine with a suitable stand [A].
- Put a plank [B] onto the stand.



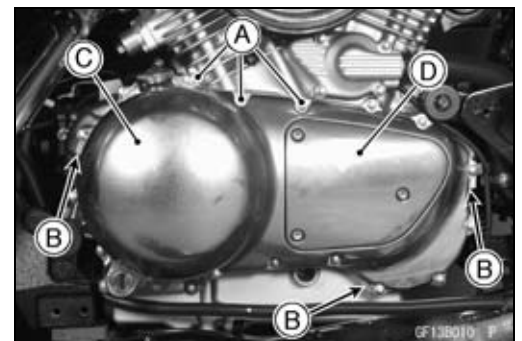
- Remove:
 - Front Exhaust Pipe [A] (see Engine Top End chapter)
 - Downtube [B] (see Frame chapter, but remove the downtube with the right footpeg and rear master cylinder left installed)



- Unscrew the eighteen cover bolts [A].
- Using the pry points [B], take the cover [C] off the crankcase.

NOTE

- Do not remove the damper cover [D].

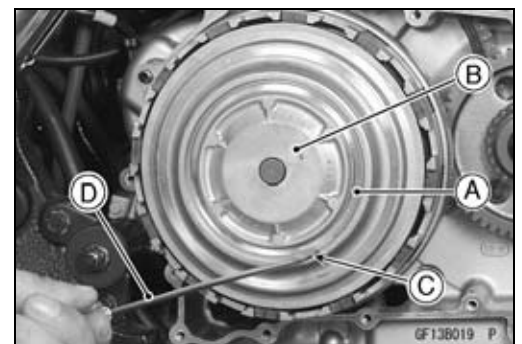


Clutch Removal

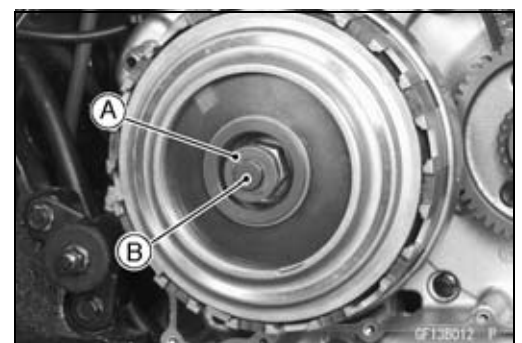
NOTE

- Use an air impact wrench for removal of the clutch hub nut.

- Remove the clutch cover (see Clutch Cover Removal).
 - Remove the retaining ring [A] using a cutout portion [C], and take the operating plate [B] out of the clutch assembly.
- Screw Driver [D]



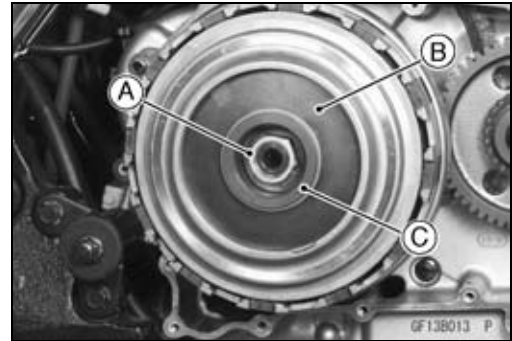
- Remove:
 - Washer [A]
 - Spring Plate Pusher [B]
 - Needle Bearing



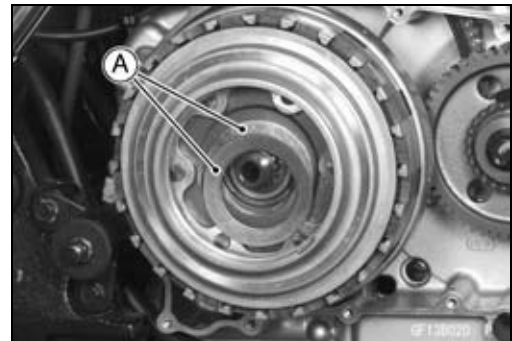
6-12 CLUTCH

Clutch

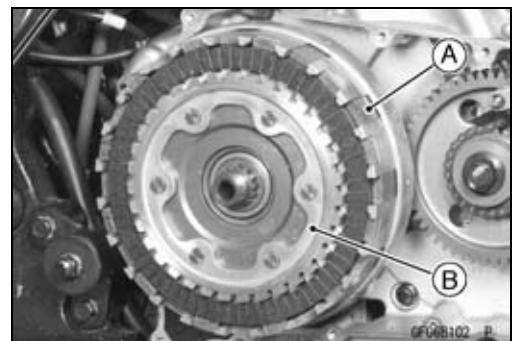
- Unscrew the clutch hub nut [A] by using an air impact wrench.
- Take the clutch spring [B], and the clutch spring holder [C] out of the clutch hub.



- Take the back torque limiter springs [A], and the clutch spring plate out of the clutch housing.



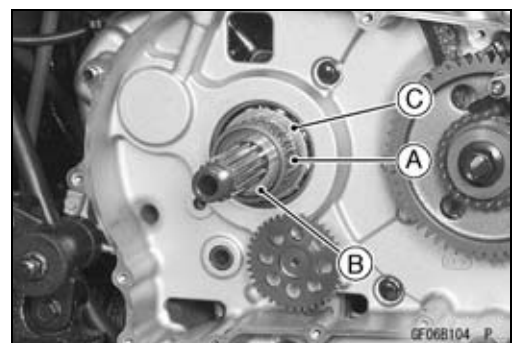
- Take the friction/steel plate [A], and outer clutch hub [B] out of the clutch housing.



- Take the inner clutch hub [A], collar [B], washer [C] and clutch housing [D] out of the crankcase.



- Pull the needle bearing [A], sleeve [B], and thrust washer [C] off the drive shaft.

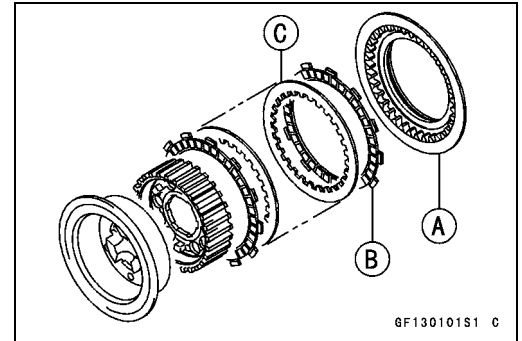


Clutch

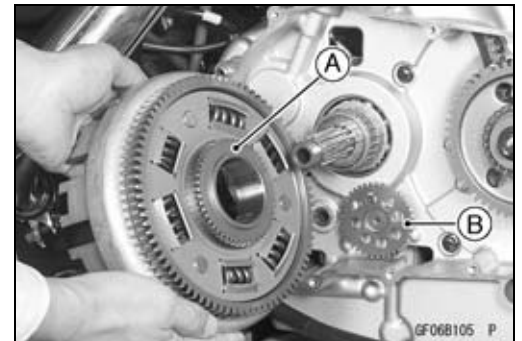
Clutch Installation

★When replacing any one of the following parts, check the spring plate gap (see Spring Plate Gap Measurement).

- Spring Plate [A]
- Friction Plates [B]
- Steel Plates [C]



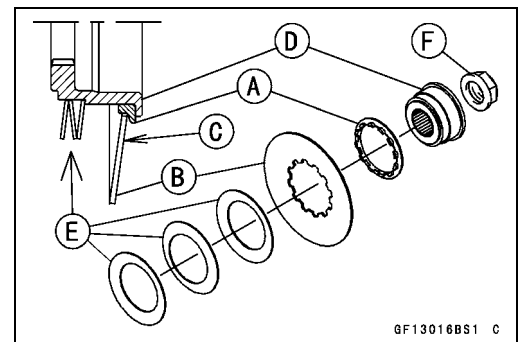
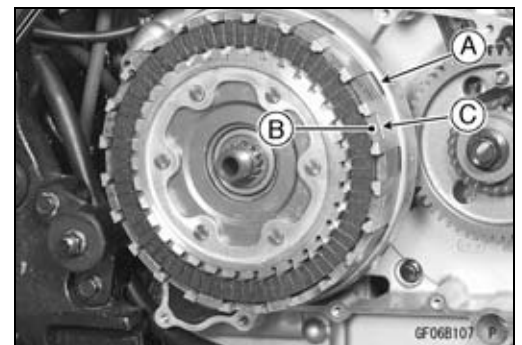
- When installing the clutch housing, mesh the oil pump drive gear [A] with the oil pump gear [B] so that the pump gear turns smoothly.



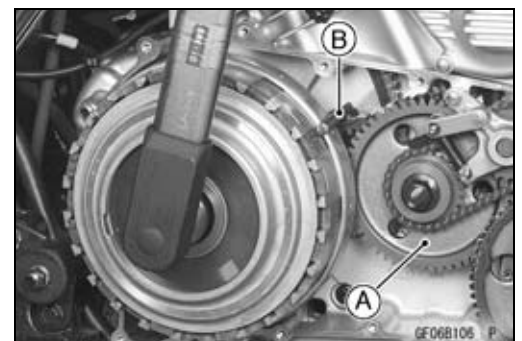
CAUTION

If new dry steel or friction plates are installed, apply engine oil to the surfaces of each plate to avoid clutch plate seizure.

- Install the friction plates and steel plates, starting with a friction plate and alternating them.
- First, install the friction plates, fitting their tangs in the deeper grooves [A], and finally the outermost friction plate [B] in the shallower grooves [C].
- Install the outer clutch spring holder [A] on the spring holder [B], and convex the direction of outside [C] on the spring holder [D].
- Apply grease to the back torque limiter springs [E] and install the them on the spring holder as shown. Clutch Hub Nut [F] (for reference)



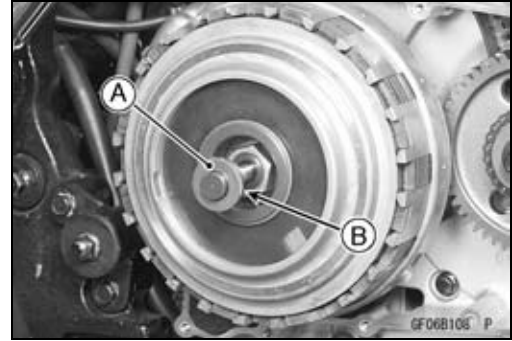
- Apply:
 - Molybdenum Disulfide Oil- Threads and Seating Surface of Clutch Hub Nut**
- Tighten the clutch hub nut to the specified torque while holding the primary gear [A] with the gear holder [B].
Torque - Clutch Hub Nut: 147 N·m (15 kgf·m, 108 ft·lb)
Special Tool - Gear Holder, m2.0: 57001-1557



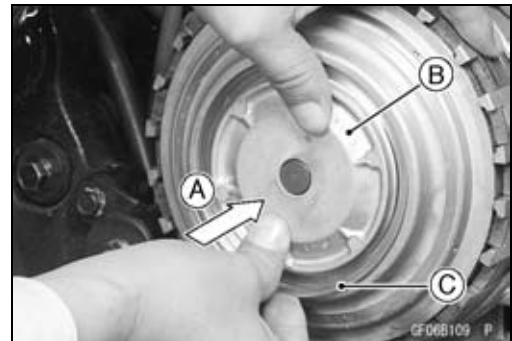
6-14 CLUTCH

Clutch

- The spring plate pusher [A] into the clutch hub. Squeeze the clutch lever slowly and hold it with a band.
- Install the needle bearing [B] and the washer onto the pusher.



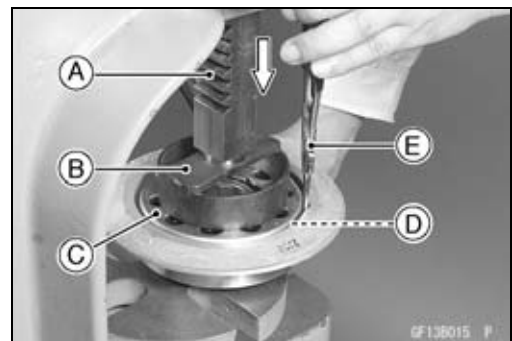
- Pushing [A] the operating plate [B] into the clutch hub, and insert the retaining ring [C] by hand.



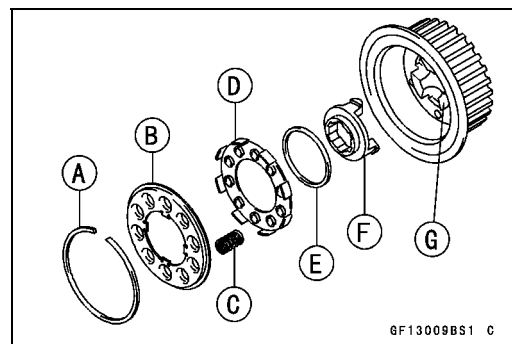
Inner Clutch Hub Disassembly

- Using a press [A], and the clutch spring compressor [B], push the damper spring holder [C] to remove the retaining ring [D].

Special Tool - Clutch Spring Compressor: 57001-1162
Inside Circlip Pliers: 57001-143 [E]



- Remove:
 - Retaining Ring [A]
 - Spring Holder [B]
 - Damper Spring [C]
 - Spring Holder [D]
 - Spacer [E]
 - Damper Cam [F]
 - Inner Clutch Hub [G]

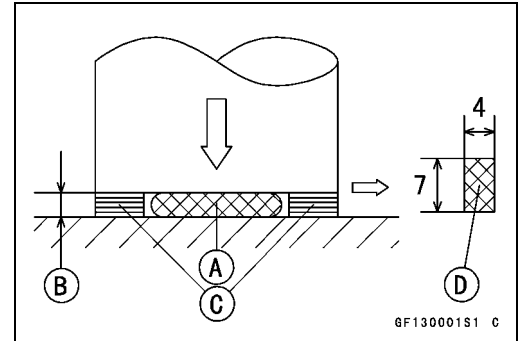


Spring Plate Gap Measurement

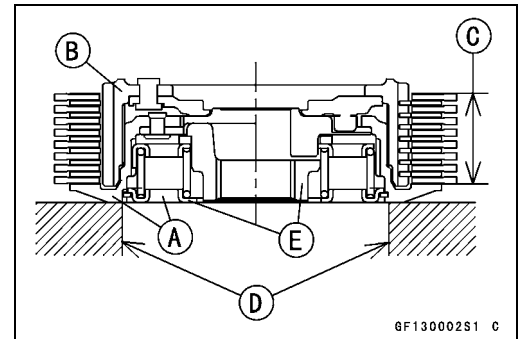
Insufficient spring plate gap will cause the engine braking effect to be more sudden, resulting in rear wheel hop. On the other hand, if the spring plate gap is excessive, the clutch may slip or the clutch lever may feel “spongy” or pulsate when pulled.

Clutch

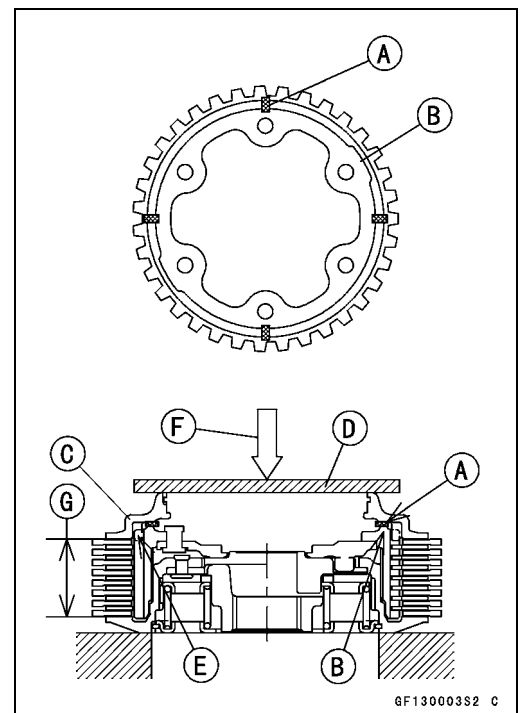
- Prepare sheet gum (chewing gum) or about 5 g clay [A].
 - Make an about 2.5 mm (0.098 in.) thick sheet [B] of gum or clay, using a press and two thickness gauges [C] which are overlapped to about 2.5 mm (0.098 in.).
 - Cut the sheet with scissors into four strips [D] of gum or clay as shown.
- unit: mm



- Remove the clutch (see this chapter).
- Place the inner clutch hub, spring holder assy [A], the outer clutch hub [B], and the clutch plates (friction and steel plates) [C] on blocks [D].
- Do not support the spring holder [E] with the blocks.



- Apply a soap and water solution to the strips. This is to separate the strips easily from the clutch spring plate and clutch hub when removing strips.
- Place these four strips [A] on the raised surface [B] of the outer clutch hub in a criss-cross pattern as shown.
- Install the clutch spring plate [C] and a block [D].
- While noting the positions of the spline teeth [E], fit the clutch spring plate into the outer clutch hub smoothly. Be careful not to move these strips.
- Press [F] the block until the clutch plates [G] seat closely.



CAUTION

Do not press the block too much. This could damage the clutch parts. The maximum press force is 100 kg (220 lb).

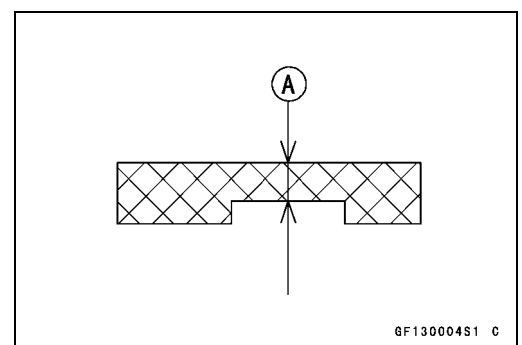
- Remove the clutch spring plate.
- Peel off these strips with a thin-bladed screwdriver.
- Measure the pressed thickness [A] of each strip with vernier calipers.
- The thickness represents the spring plate gap.

Spring Plate Gap

Usable Range: 1.95 ~ 2.45 mm (0.0768 ~ 0.0965 in.)

NOTE

- In case of rear wheel hop, adjust the spring plate gap a bit larger, and in case of clutch slip or "spongy" clutch lever, adjust the gap a bit smaller within the usable range.



6-16 CLUTCH

Clutch

Spring Plate Gap Adjustment

- ★ If the plate gap is out of the usable range, change one of the steel plates [A] to a thicker or thinner one to get the correct gap.
- Use the standard steel plates (2.0 mm (0.079 in.) thick) × (6 ~ 7) plates, and the adjustment steel plate (1.6 or 2.3 mm (0.063 or 0.091 in.) thick) × (0 ~ 1) plates: total 7 plates.

Steel Plates

Thickness (mm)	Part No.
1.6 (0.063 in.)	13089-1080
2.0 (0.079 in.)	13089-1075 (standard)
2.3 (0.091 in.)	13089-1081

CAUTION

If new friction or steel plates are installed, apply engine oil to the surfaces of each plate to avoid clutch plate seizure.

Friction and Steel Plate Wear, and Damage Inspection

- Visually inspect the friction and steel plates for signs of seizure, overheating (discoloration), or uneven wear.
- ★ If any plates show signs of damage, replace the plates.
- Measure the thickness of the friction plates [A] at several points.
- ★ If they have worn past the service limit, replace the friction plate and measure the spring plate gap and adjust it if necessary.

Friction Plate Thickness

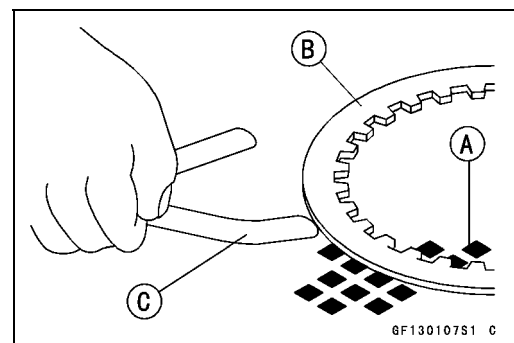
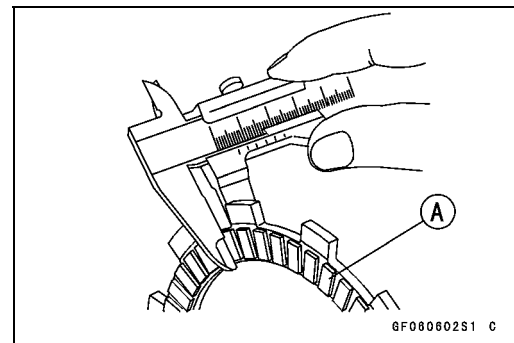
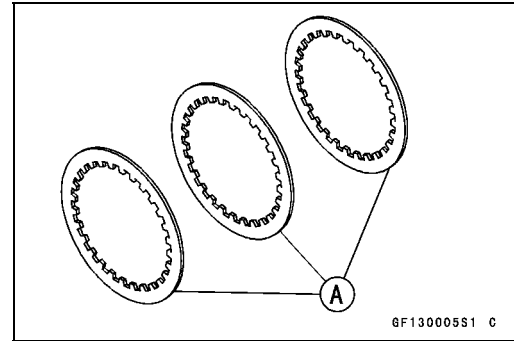
Standard:	3.3 ~ 3.5 mm (0.130 ~ 0.138 in.)
Service Limit:	3.1 mm (0.122 in.)

Friction or Steel Plate Warp

- Place each friction plate or steel plate on a surface plate, and measure the gap between the surface plate [A] and each friction plate or steel plate [B] with a thickness gauge [C]. The gap is the amount of friction or steel plate warp.
- ★ If any friction plate is warped over the service limit, replace it and measure the spring plate gap, and adjust it if necessary.
- ★ If any steel plate is warped over the service limit, replace it with a new one of the same thickness.

Friction or Steel Plate Warp

Standard:	0.2 mm (0.0079 in.) or less
Service Limit:	0.3 mm (0.012 in.)



Clutch

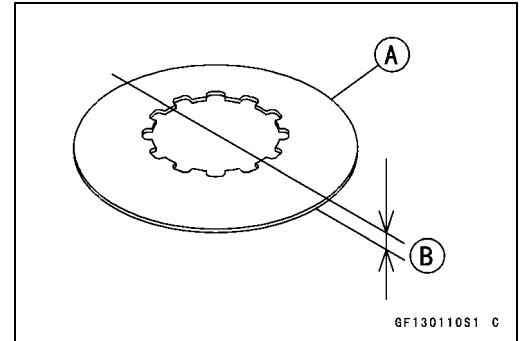
Clutch Spring Height Measurement

- Measure the height [B] of the clutch spring [A].
- ★ If the spring height is less than the service limit, it must be replaced.

Clutch Spring Height

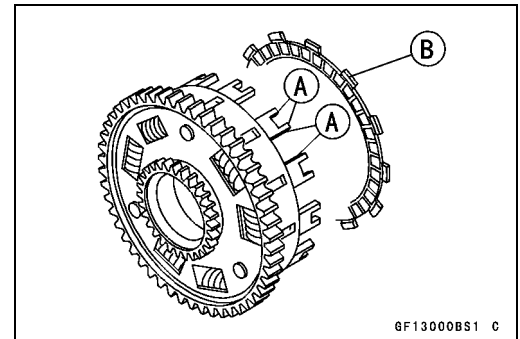
Standard: 4.3 mm (0.169 in.)

Service Limit: 4 mm (0.16 in.)



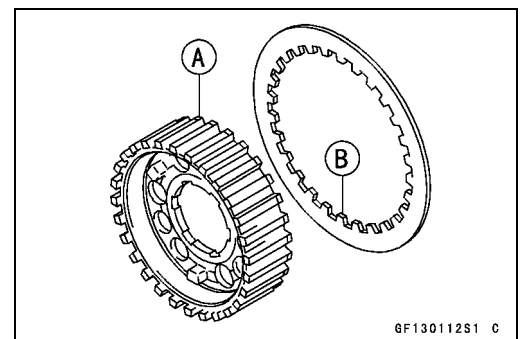
Clutch Housing Finger Inspection

- Visually inspect the fingers [A] of the clutch housing where the tangs [B] of the friction plates hit them.
- ★ If they are badly worn or if there are groove cuts where the tangs hit, replace the housing. Also, replace the friction plates if their tangs are damaged and measure the spring plate gap and adjust it if necessary.



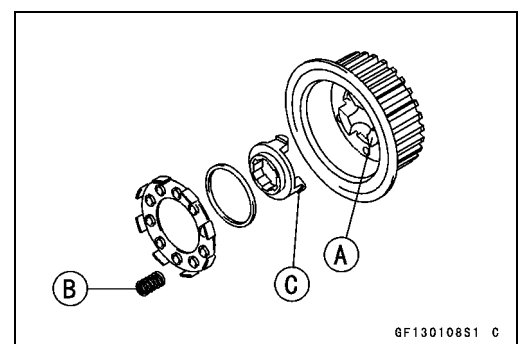
Outer Clutch Hub Spline Inspection

- Visually inspect where the teeth [B] on the steel plates wear against the splines [A] of the outer clutch hub.
- ★ If there are notches worn into the splines, replace the outer clutch hub. Also, replace the steel plate with a new one of the same thickness if their teeth are damaged.



Cam Damper Inspection

- Disassemble the clutch (see Inner Clutch Hub Disassembly).
- Visually inspect the damper cam [A], damper spring [B], and cam follower [C].
- ★ Replace any damaged parts.



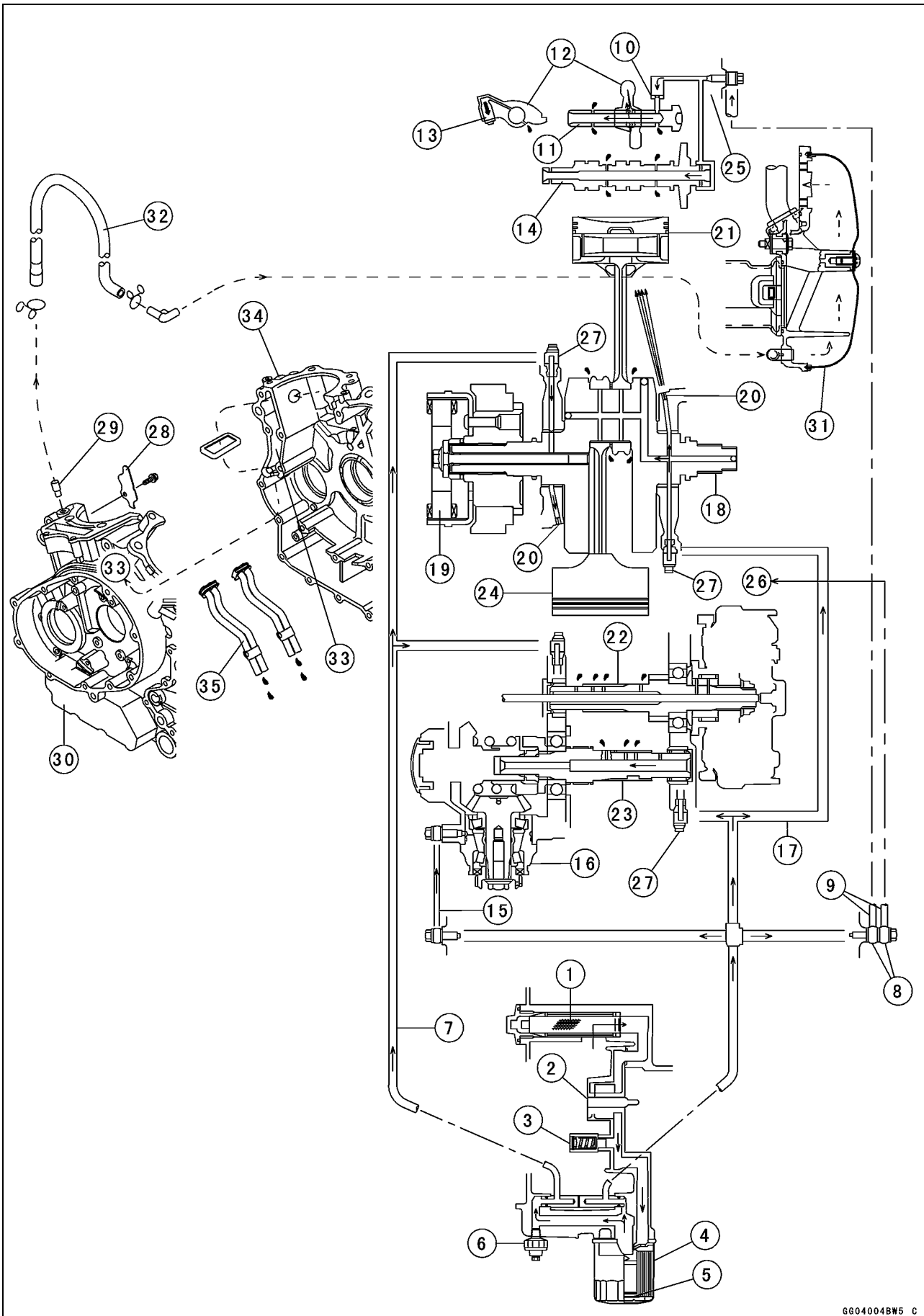
Engine Lubrication System

Table of Contents

Engine Oil Flow Chart.....	7-2
Exploded View.....	7-4
Specifications	7-6
Special Tools and Sealant.....	7-7
Engine Oil and Oil Filter.....	7-8
Oil Level Inspection.....	7-8
Engine Oil Change.....	7-8
Oil Filter Replacement	7-8
Oil Pump and Oil Line.....	7-9
Oil Pump Removal.....	7-9
Oil Pump Installation	7-9
Oil Hose Removal	7-9
Oil Hose Installation.....	7-10
Inside Oil Pipe Removal.....	7-10
Inside Oil Pipe Installation.....	7-11
Blowby Gas System Inspection	7-13
Breather Drain Cleaning	7-14
Oil Pressure.....	7-15
Oil Pressure Measurement	7-15
Oil Pressure Relief Valve Inspection.....	7-16

7-2 ENGINE LUBRICATION SYSTEM

Engine Oil Flow Chart

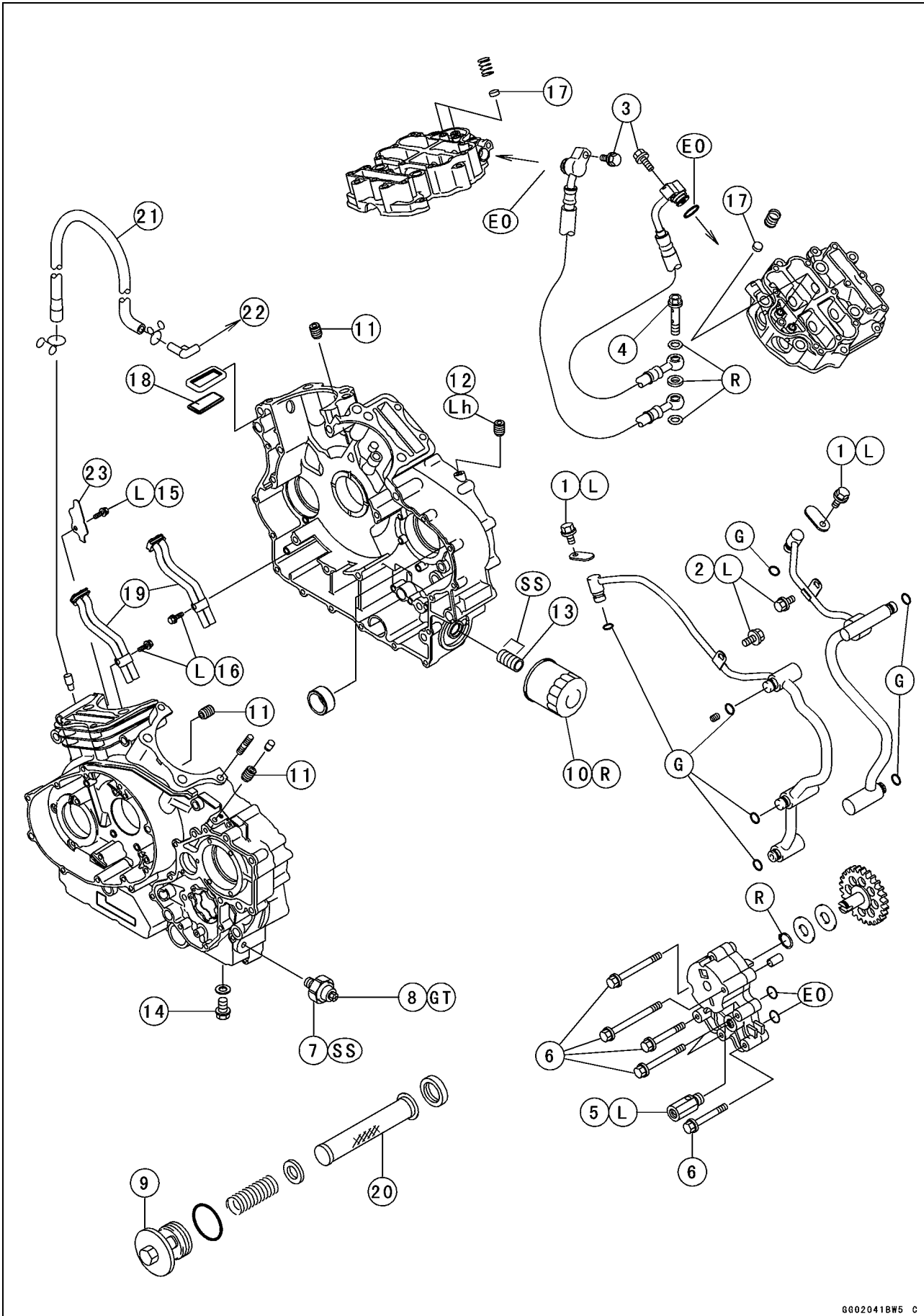


Engine Oil Flow Chart

- : Oil Flow (1 ~ 30)
- : Blowby Gas
- 1. Oil Screen
- 2. Oil Pump
- 3. Oil Pressure Relief Valve
- 4. Oil Filter
- 5. Bypass Valve
- 6. Oil Pressure Switch
- 7. Inside Oil Pipe
- 8. Banjo Bolts of Right Crankcase Rear
- 9. Outside Oil Hoses
- 10. HLA Oil Filter
- 11. Rocker Shafts
- 12. Rocker Arms
- 13. HLA (Hydraulic Lash Adjuster)
- 14. Camshafts
- 15. Outside Oil Pipe
- 16. Front Gear Case
- 17. Inside Oil Pipe
- 18. Crankshaft
- 19. Alternator Rotor
- 20. Oil Nozzle
- 21. Front Piston
- 22. Drive Shaft
- 23. Output Shaft
- 24. Rear Piston
- 25. Front Rockercase
- 26. Rear Rockercase
- 27. Inside Oil Pipe Fittings
- 28. Oil Baffle
- 29. Fitting
- 30. Left Crankcase
- 31. Right Air Cleaner Housing (rear view)
- 32. Crankcase Breather Hose
- 33. Oil Separating Chambers
- 34. Right Crankcase
- 35. Oil Return Pipes

7-4 ENGINE LUBRICATION SYSTEM

Exploded View



ENGINE LUBRICATION SYSTEM 7-5

Exploded View

No.	Fastener	Torque			Remarks
		N·m	kgf·m	ft·lb	
1	Oil Pipe Holder Bolts	11	1.1	97 in·lb	L
2	Oil Pipe Clamp Bolts	11	1.1	97 in·lb	L
3	Oil Hose Flange Bolts	9.8	1.0	87 in·lb	
4	Oil Hose Banjo Bolt	9.8	1.0	87 in·lb	
5	Oil Pressure Relief Valve	15	1.5	11	L
6	Oil Pump Mounting Bolts	11	1.1	97 in·lb	
7	Oil Pressure Switch	15	1.5	11	SS
8	Oil Pressure Switch Terminal Screw	1.5	0.15	13 in·lb	GT
9	Oil Screen Plug	20	2.0	15	
10	Oil Filter	18	1.8	13	R
11	Right & Left Crankcase Oil Nozzles	2.9	0.30	26 in·lb	
12	Right Crankcase Oil Nozzle	2.9	0.30	26 in·lb	Lh
13	Oil Filter Pipe	25	2.5	18	SS
14	Engine Oil Drain Plug	20	2.0	15	
15	Oil Baffle Bolt	11	1.1	97 in·lb	L
16	Oil Return Pipe Clamp Bolts	11	1.1	97 in·lb	L

17. HLA Oil Filters

18. Oil Separator (smaller side goes first.)

19. Oil Return Pipes

20. Oil Screen

21. Crankcase Breather Hose

22. To right air cleaner base

23. Oil Baffle

EO: Apply engine oil.

G: Apply grease.

GT: Apply a little grease to the switch terminal for rust prevention.

L: Apply a non-permanent locking agent.

Lh: Left-hand Threads

R: Replacement Parts

SS: Apply silicone sealant (Kawasaki Bond: 56019-120).

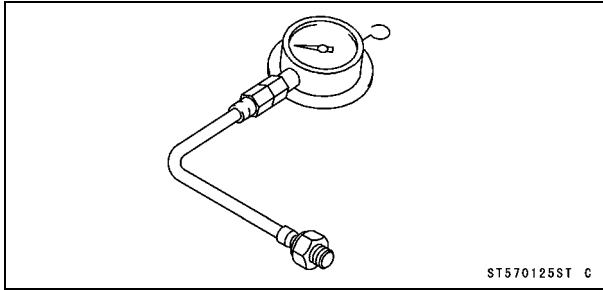
7-6 ENGINE LUBRICATION SYSTEM

Specifications

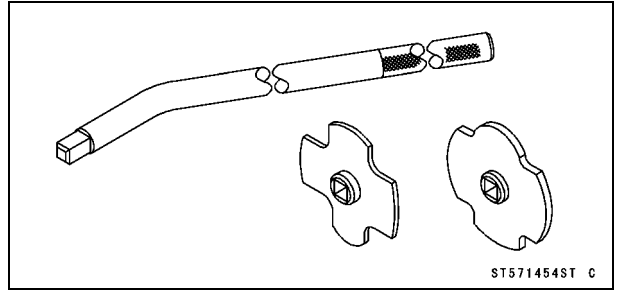
Item	Standard
Engine Oil Type Viscosity Capacity Level (Wait 2 ~ 3 minutes after Idling or Running)	API SE, SF or SG class API SH or SJ class with JASO MA SAE 10W-40 2.9 L (3.1 US qt, when filter is not removed) 3.1 L (3.3 US qt, when filter is removed) 3.5 L (3.7 US qt, when engine is completely disassembled and dry) Between upper and lower level lines
Oil Pressure Measurement Oil Pressure @2 000 r/min (rpm), Oil Temperature 90 °C (194 °F)	340 ~ 440 kPa (3.5 ~ 4.5 kgf/cm ² , 50 ~ 64 psi)

Special Tools and Sealant

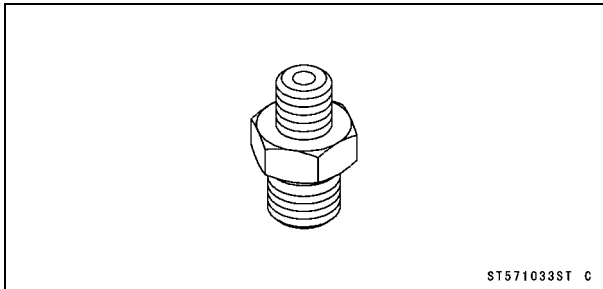
Oil Pressure Gauge, 5 kgf/cm²:
57001-125



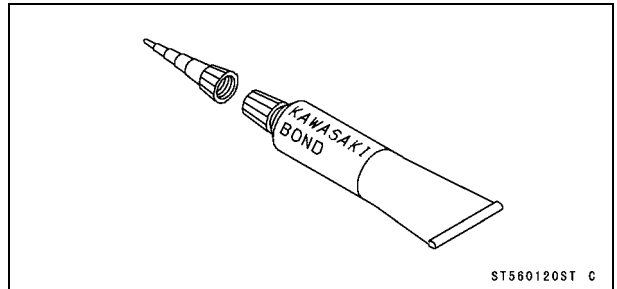
Filler Cap Driver:
57001-1454



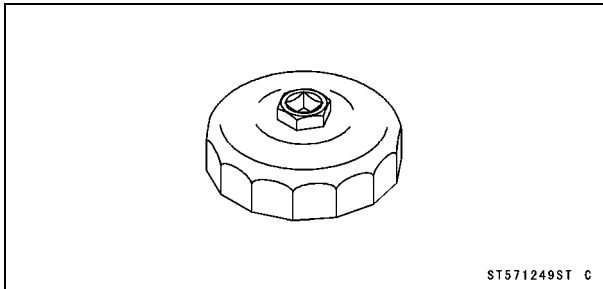
Oil Pressure Gauge Adapter, PT 1/8:
57001-1033



Kawasaki Bond (Silicone Sealant):
56019-120



Oil Filter Wrench:
57001-1249



7-8 ENGINE LUBRICATION SYSTEM

Engine Oil and Oil Filter

⚠ WARNING

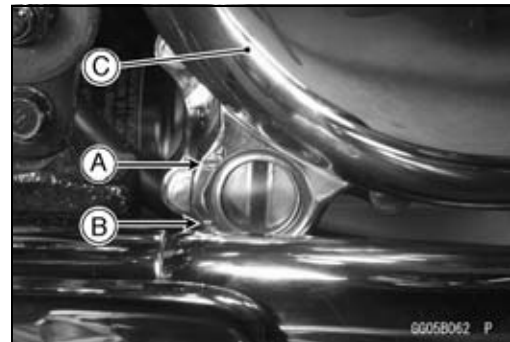
Motorcycle operation with insufficient, deteriorated, or contaminated engine oil will cause accelerated wear and may result in engine or transmission seizure, accident, and injury.

Oil Level Inspection

- Situate the motorcycle so that it is vertical.
- Check that the engine oil level is between the upper [A] and lower [B] levels in the gauge.
Clutch Cover [C]

NOTE

- Situate the motorcycle so that it is perpendicular to the ground.
- If the motorcycle has just been used, wait 2 ~ 3 minutes for all the oil to drain down.
- If the oil has just been changed, start the engine and run it for several minutes at idle speed. This fills the oil filter with oil. Stop the engine, then wait 2 ~ 3 minutes until the oil settles.



CAUTION

Racing the engine before the oil reaches every part can cause engine seizure.
If the engine oil gets extremely low or if the oil pump or oil passages clog up or otherwise do not function properly, the oil pressure warning light will light. If this light stays on when the engine is running above idle speed, stop the engine immediately and find the cause.

- ★ If the oil level is too high, remove the excess oil, using a syringe or some other suitable device.
- ★ If the oil level is too low, add the correct amount of oil through the oil filler opening. Use the same type and make of oil that is already in the engine.

NOTE

- If the engine oil type and make are unknown, use any brand of the specified oil to top off the level in preference to running the engine with the oil level low. Then at your earliest convenience, change the oil completely.

Engine Oil Change

- Refer to the Engine Oil Change in the Periodic Maintenance Chapter.

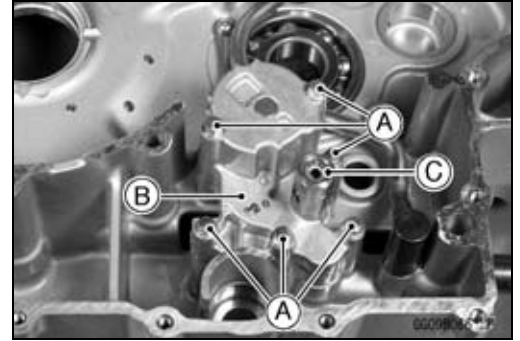
Oil Filter Replacement

- Refer to the Oil Filter Replacement in the Periodic Maintenance Chapter.

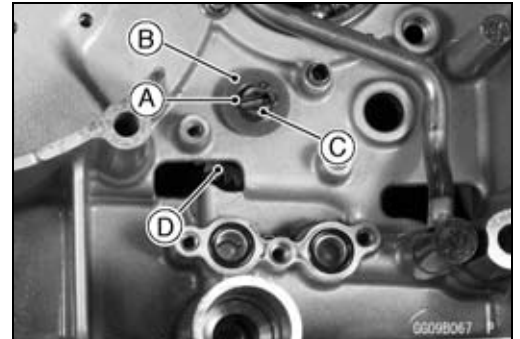
Oil Pump and Oil Line

Oil Pump Removal

- Remove the engine (see Engine Removal/Installation chapter).
- Split the crankcase (see Crankshaft/Transmission chapter).
- Remove the oil pump mounting bolts [A], and take off the pump [B] out of the right crankcase.
- Unscrew the oil pressure relief valve [C] if necessary.



- Remove:
 - Circlip [A]
 - Washer [B]
 - Pump Shaft [C]
 - Pump Gear [D]



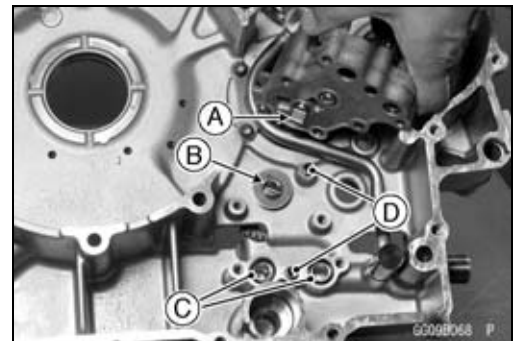
Oil Pump Installation

- Note the position of the oil pump shaft tang [A] and turn the pump gear shaft so that the tang fits into the slot [B] of the oil pump gear.
- Replace the O-rings [C] with new ones if they are damaged.
- Be sure to install the dowel pins [D].
- Tighten:

Torque - Oil Pump Mounting Bolts: 11 N·m (1.1 kgf·m, 97 in·lb)

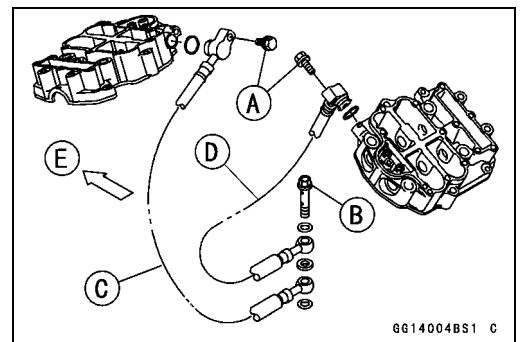
- Check that the oil pump gear turns smoothly in the left side of the right crankcase.
- Apply a non-permanent locking agent to the threads of the oil pressure relief valve and install it.
- Tighten:

Torque - Oil Pressure Relief Valve: 15 N·m (1.5 kgf·m, 11 ft·lb)



Oil Hose Removal

- Remove the engine (see Engine Removal/Installation chapter).
- Remove:
 - Rocker Case Cover (see Engine Top End chapter)
 - Oil Hose Flange Bolts [A] on Front and Rear Rocker Cases
 - Oil Hose Banjo Bolt [B] on Right Crankcase behind Rear Cylinder
- Remove the front oil hose [C] and the rear oil hose [D].
- Front [E]

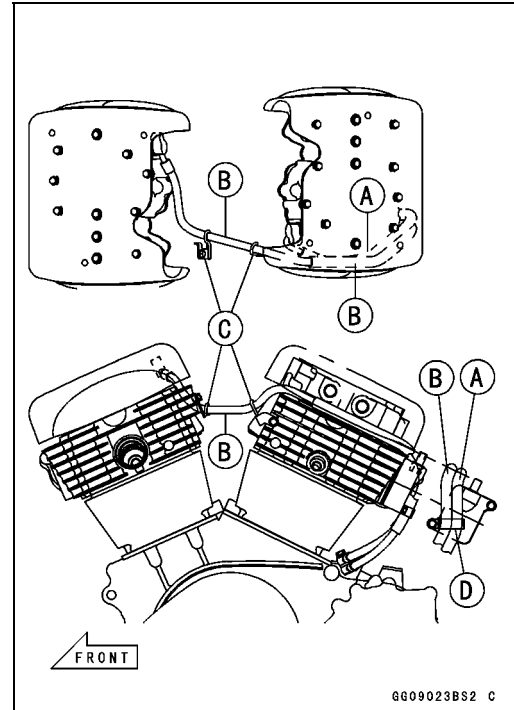


7-10 ENGINE LUBRICATION SYSTEM

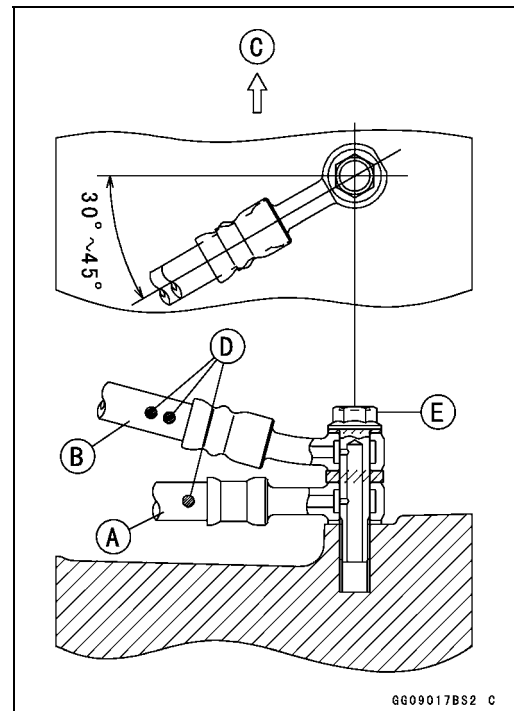
Oil Pump and Oil Line

Oil Hose Installation

- Run the front oil hose over the rear oil hose as shown.
- Insert the rear oil hose [A] first.
- Next insert the front oil hose [B].
- Run both oil hoses between the rocker case and the rocker case cover.
- Tighten:
 - Torque - Oil Hose Flange Bolts: 9.8 N·m (1.0 kgf·m, 87 in·lb)**
- Install the clamps [C].
- Fit the clamp [D] as shown.

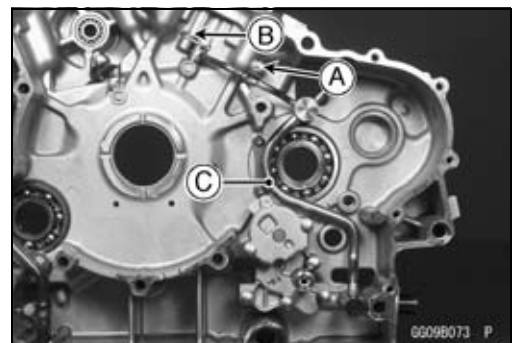


- Install each bottom end of the oil hoses on the right crankcase behind the rear cylinder as shown.
 - Front Oil Hose [A]
 - Rear Oil Hose [B]
 - Front [C]
- Face the paint marks [D] rearward.
- Replace the copper washers on each side of the banjo bolt with new ones.
- Tighten:
 - Torque - Oil Hose Banjo Bolt [E]: 9.8 N·m (1.0 kgf·m, 87 in·lb)**
- Install the removed ports.



Inside Oil Pipe Removal

- Split the crankcase (see Crankshaft/Transmission chapter).
- Remove:
 - Oil Pipe Clamp Bolts [A]
 - Oil Pipe Holder Bolt [B]
- Remove the inside oil pipe [C] from the right crankcase.

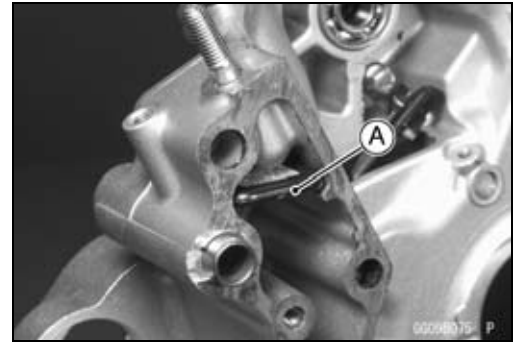


Oil Pump and Oil Line

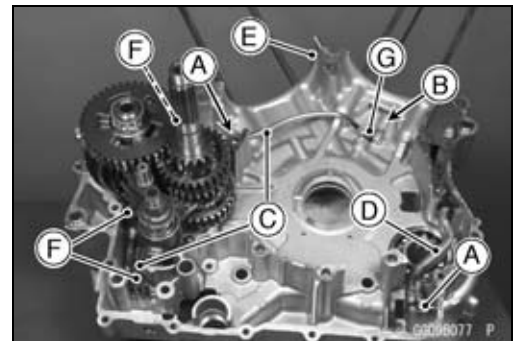
- Remove the oil pipe clamp bolt [A], and oil return pipe [B].



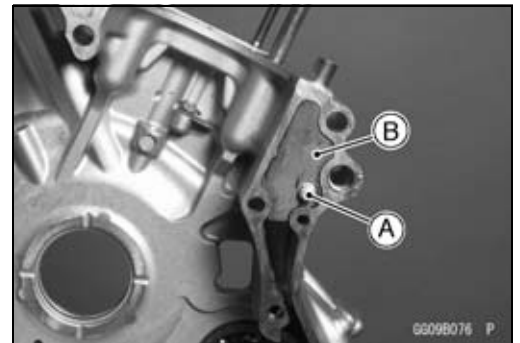
- Remove the separator [A].



- Remove:
 - Oil Pipe Clamp Bolt [A]
 - Oil Pipe Holder Bolt [B]
- Remove the inside oil pipe [C] and the oil return pipe [D] from the left crankcase [E].
- Pull out the large size fittings [F] first, and remove the small size fitting [G] upward.

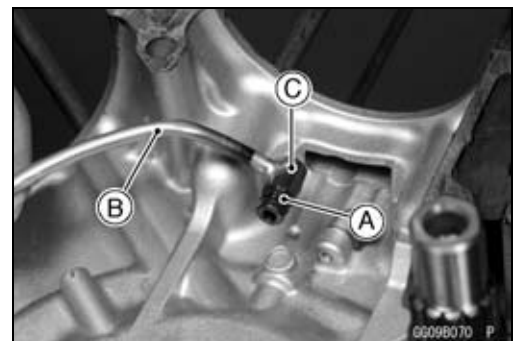


- Remove the bolt [A] and the oil baffle plate [B].



Inside Oil Pipe Installation

- Replace the oil pipe fitting O-rings [A] with a new one.
- Apply grease to the O-rings before installation.
 - Oil Pipe [B]
 - Fitting [C]



7-12 ENGINE LUBRICATION SYSTEM

Oil Pump and Oil Line

- Install the inside oil pipe [A], separator [B] and the oil return pipe [C] to left crankcase [D] as shown.
- Do not apply silicone sealant to the groove of the grommet and the mating surface of the grommet [E].
- Apply silicone sealant to the crankcase mating surface [F] of the separator.
- Apply a non-permanent locking agent to the oil pipe holder bolt [H], oil return pipe clamp bolts [I], oil pipe clamp bolt [J] and oil baffle bolt [K].
- If the oil nozzles [G] are removed, install them.

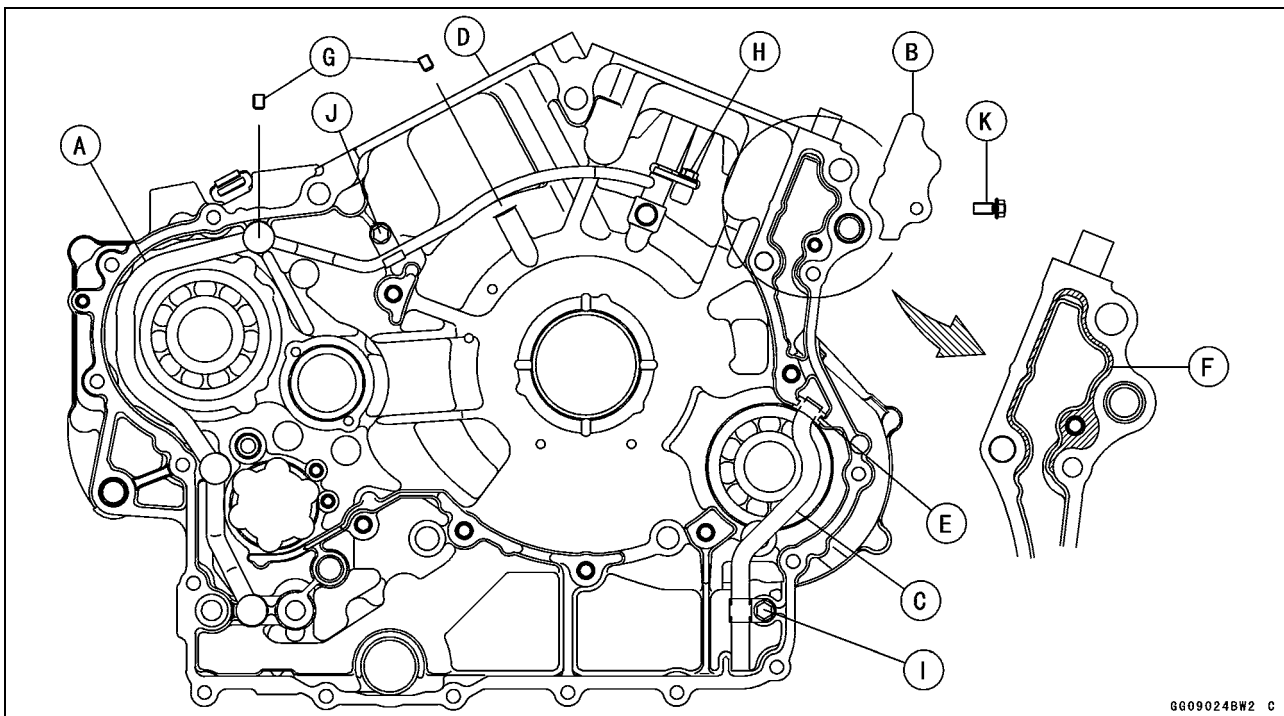
Torque - Oil Pipe Holder Bolt: 11 N·m (1.1 kgf·m, 97 in·lb)

Oil Return Pipe Clamp Bolts: 11 N·m (1.1 kgf·m, 97 in·lb)

Oil Pipe Clamp Bolt: 11 N·m (1.1 kgf·m, 97 in·lb)

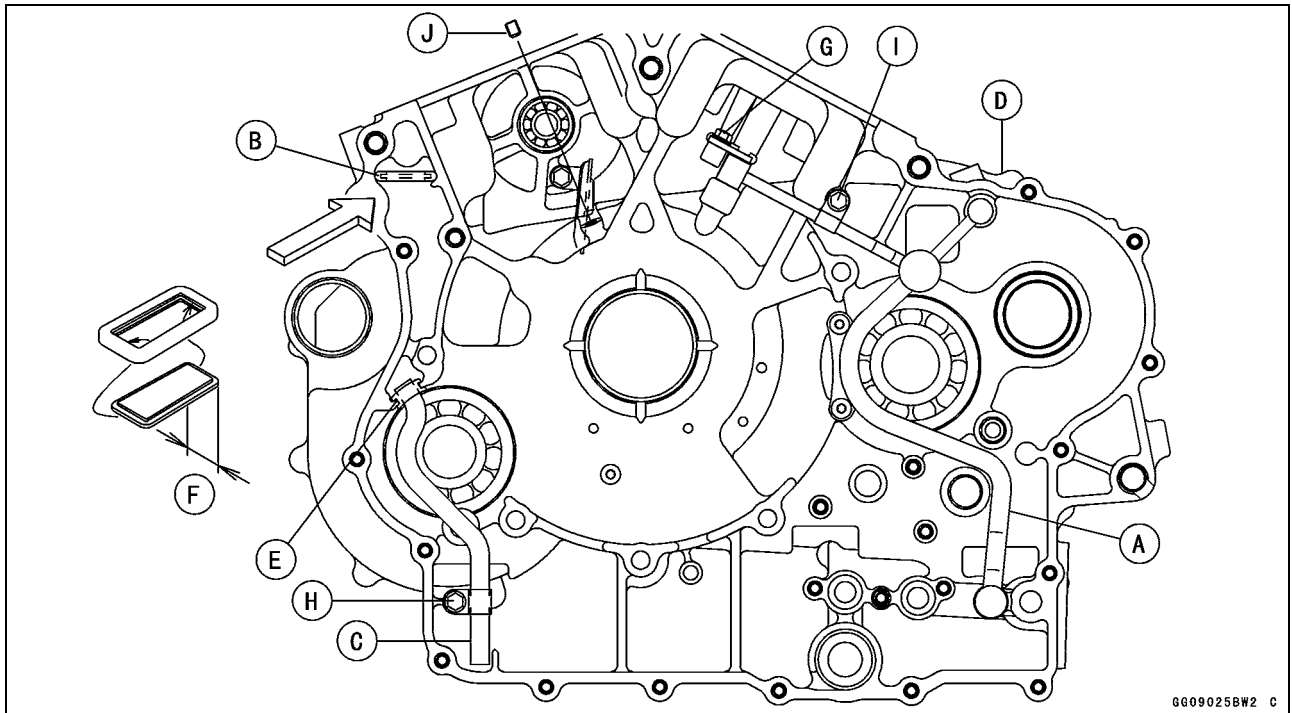
Oil Baffle Bolt: 11 N·m (1.1 kgf·m, 97 in·lb)

Oil Nozzles: 2.9 N·m (0.30 kgf·m, 26 in·lb)



Oil Pump and Oil Line

- Install the inside oil pipe [A], separator [B], and the oil return pipe [C] to the right crankcase [D].
- Do not apply silicone sealant to the groove of the grommet and the mating surface of the grommet [E].
- Install the separator so that its smaller side [F] faces inside.
- Apply a non-permanent locking agent to the oil pipe holder bolt [G], oil return pipe clamp bolts [H] and oil pipe clamp bolt [I].
- If the oil nozzle [J] is removed, install it.



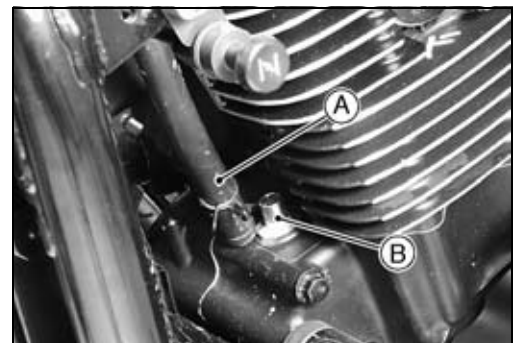
GG09025BW2 C

- Torque - Oil Pipe Holder Bolt: 11 N·m (1.1 kgf·m, 97 in·lb)**
- Oil Return Pipe Clamp Bolt: 11 N·m (1.1 kgf·m, 97 in·lb)**
- Oil Pipe Clamp Bolt: 11 N·m (1.1 kgf·m, 97 in·lb)**
- Oil Nozzle: 2.9 N·m (0.30 kgf·m, 26 in·lb)**

- Install the removed parts.

Blowby Gas System Inspection

- Be certain that all the hoses are routed without being flattened or kinked, and are connected correctly to the oil reserve tank and right air cleaner base.
- ★ If they are not, correct them.
- Inspect the breather hoses [A], breather pipe [B], and the air cleaner drain hose for damage or signs of deterioration.
- These hoses should not be hard and brittle, nor should be soft or swollen.
- ★ Replace it if any cracks or swelling are noticed.
- Check that the hoses are securely connected.

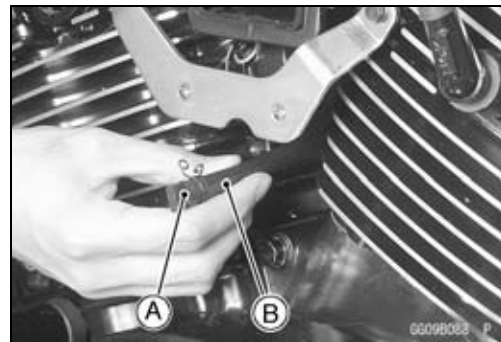


7-14 ENGINE LUBRICATION SYSTEM

Oil Pump and Oil Line

Breather Drain Cleaning

- The air cleaner drain hose is provided beneath the right air cleaner housing, and catches the water or oil from the crankcase breather hose. Usually water or oil does not collect at the bottom. In the event that rain water is drawn in through the air cleaner or if engine oil is blown back, drain the housing.
- Remove the left air cleaner housing (see Fuel System chapter).
- Remove the drain plug [A] from the air cleaner drain hose [B] to drain the water or breather.
- Install the plug on its original position.



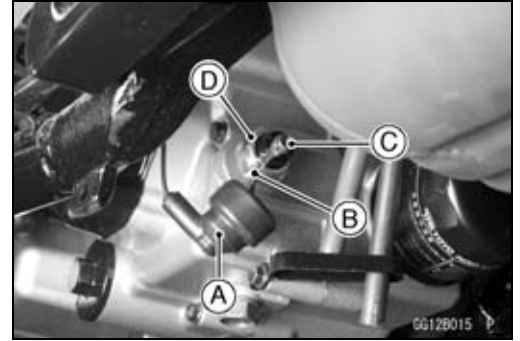
⚠ WARNING

Be sure to reinstall the plug in the drain hose after draining. Oil on tires will make them slippery and can cause an accident and injury.

Oil Pressure

Oil Pressure Measurement

- Slide out the rubber boot [A].
- Disconnect the oil pressure switch lead [B] from the terminal screw [C].
- Unscrew the oil pressure switch [D].



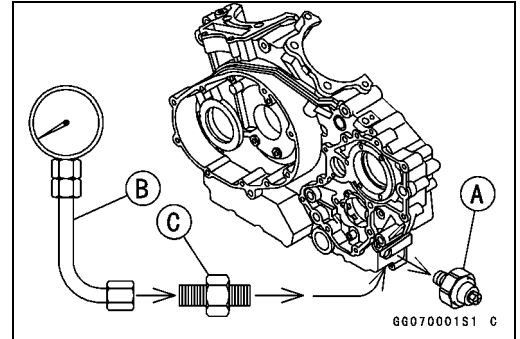
NOTE

○ Measure the oil pressure after the engine is warmed up.

- Attach the oil pressure gauge [B] and adapter [C] to the switch hole.

Oil Pressure Switch [A]

Special Tools - Oil Pressure Gauge, 5 kgf/cm²: 57001-125
Oil Pressure Gauge Adapter, PT 1/8: 57001-1033



- Start the engine and warm up the engine.
- Run the engine at the specified speed, and read the oil pressure gauge.
- ★ If the oil pressure is much lower than the standard, check the oil pump, oil pressure relief valve, and/or crankshaft bearing wear and con-rod big end bearing insert wear immediately.
- ★ If the reading is much higher than the standard, check the oil screen first, and the oil passages for dirt or clogging. Also, replace the oil filter.

Oil Pressure

Standard: 340 ~ 440 kPa (3.5 ~ 4.5 kgf/cm², 50 ~ 64 psi) @2 000 r/min (rpm), oil temperature 90 °C (194 °F)

- Stop the engine.
- Remove the oil pressure gauge and adapter.

⚠ WARNING

Take care against burns from hot engine oil that will drain through the oil passage when the plug is removed.

- When installing the oil pressure switch, apply silicone sealant to the threads of the switch, and tighten it to the specified torque.

Torque - Oil Pressure Switch: 15 N·m (1.5 kgf·m, 11 ft·lb)

- Apply grease to the oil pressure switch terminal screw.
- Connect the oil pressure switch lead and slide back the rubber boot to the original position.

7-16 ENGINE LUBRICATION SYSTEM

Oil Pressure

Oil Pressure Relief Valve Inspection

- Split the crankcase (see Crankshaft/Transmission chapter).
- Remove the oil pressure relief valve [A] from the oil pump [B].
- Check to see if the valve slides smoothly when pushing it in with a wooden or other soft rod, and see if it comes back to its seat by spring pressure.

NOTE

○ *Inspect the valve in its assembled state. Disassembly and assembly may change the valve performance.*

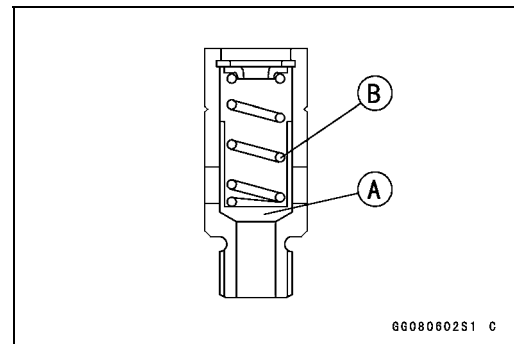
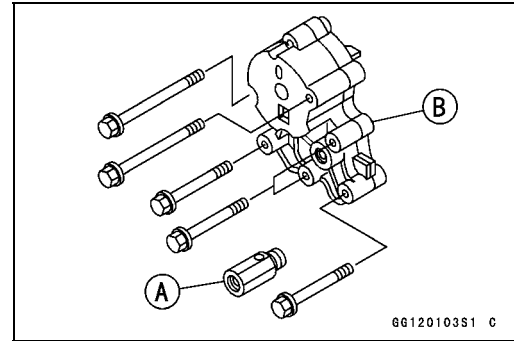
- ★ If any rough spots are found during above inspection, wash the valve clean with a high-flash point solvent and blow out any foreign particles that may be in the valve with compressed air in a well-ventilated area.

○ Take care that there is no spark or flame anywhere near the working area.

Valve [A]

Spring [B]

- ★ If cleaning does not solve the problem, replace the oil pressure relief valve as an assembly. The oil pressure relief valve is precision made with no allowance for replacement of individual parts.



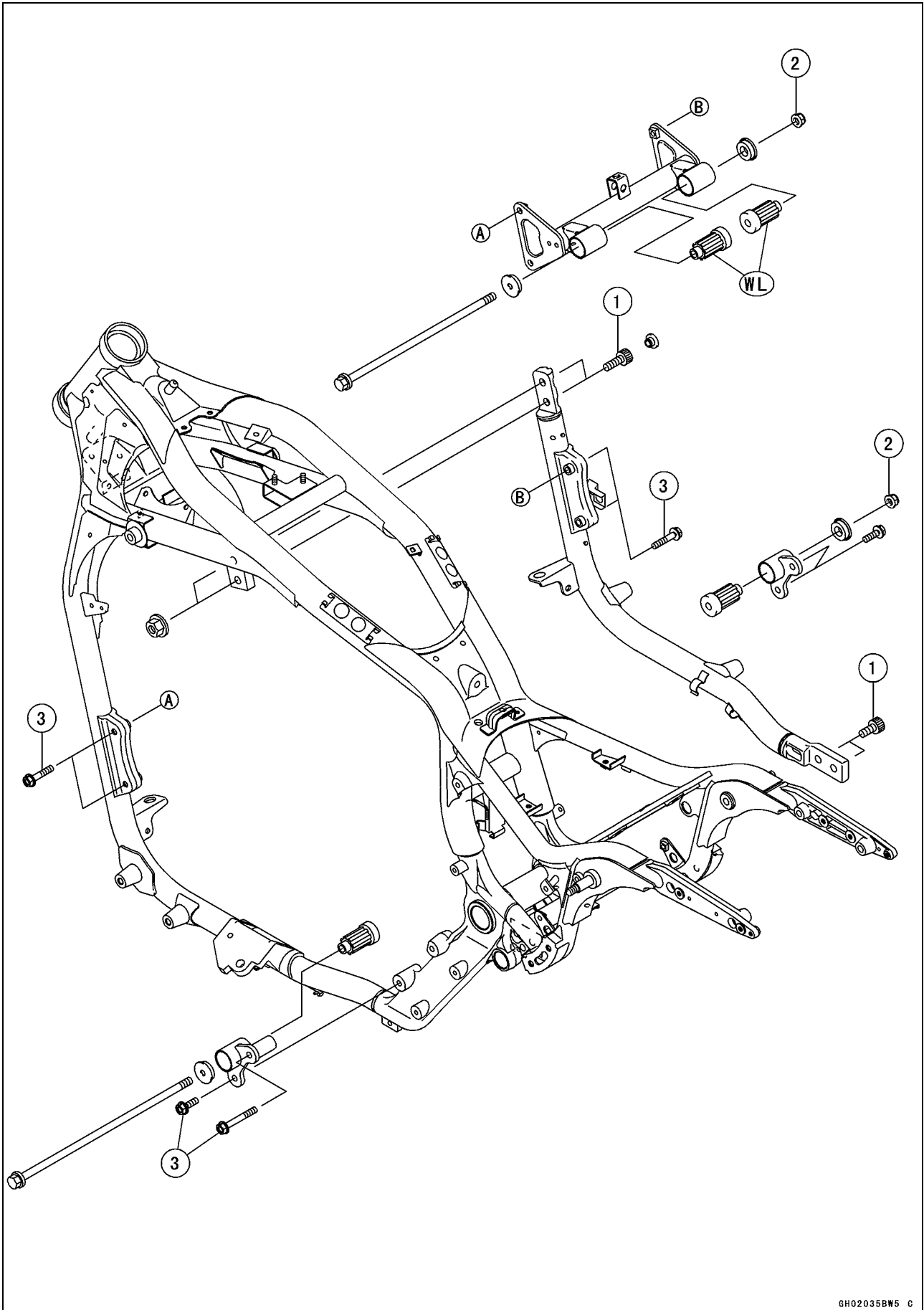
Engine Removal/Installation

Table of Contents

Exploded View.....	8-2
Specifications	8-4
Engine Removal/Installation.....	8-5
Engine Removal.....	8-5
Engine Installation.....	8-7

8-2 ENGINE REMOVAL/INSTALLATION

Exploded View



ENGINE REMOVAL/INSTALLATION 8-3

Exploded View

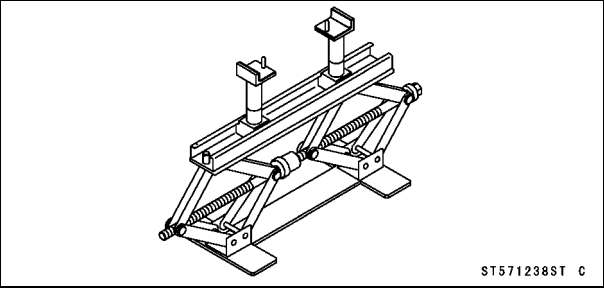
No.	Fastener	Torque			Remarks
		N·m	kgf·m	ft·lb	
1	Downtube Bolts and Nuts	44	4.5	32	
2	Engine Mounting Bolts and Nuts	44	4.5	32	
3	Engine Mounting Bracket Bolts	25	2.5	18	

WL: Apply a soap and water solution or rubber lubricant.

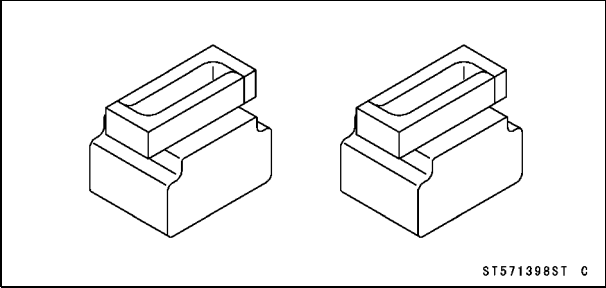
8-4 ENGINE REMOVAL/INSTALLATION

Specifications

Jack:
57001-1238



Attachment Jack:
57001-1398



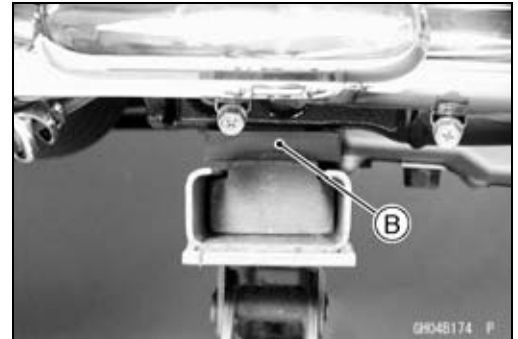
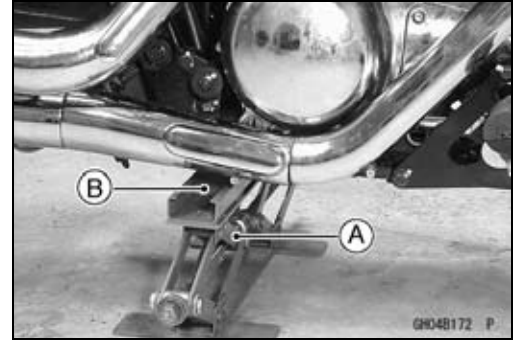
Engine Removal/Installation

Engine Removal

- Support the rear part of the frame on the jack [A], and the attachment jack [B].
- Fit the ribs of the frame into the groove of the attachments.

Special Tools - Jack: 57001-1238

Attachment Jack: 57001-1398



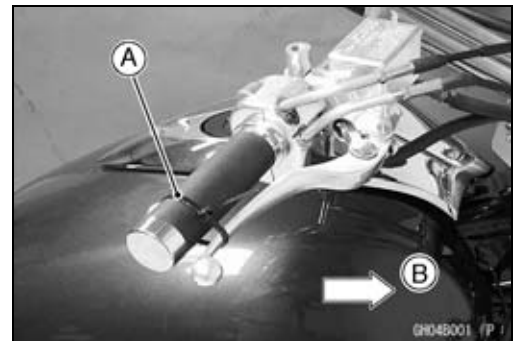
- Squeeze the brake lever slowly and hold it with a band [A].
Front [B]

⚠ WARNING

Be sure to hold the front brake when removing the engine, or the motorcycle may fall over. It could cause an accident and injury.

CAUTION

Be sure to hold the front brake when removing the engine, or the motorcycle may fall over. The engine or the motorcycle could be damaged.



- Remove the fuel tank [A] (see Fuel System chapter).
- Drain:
 - Coolant (see Periodic Maintenance chapter)
 - Engine Oil (see Periodic Maintenance chapter)
- Remove:
 - Left and Right Air Cleaner Housings [B] (see Fuel System chapter)
 - Air Switching Valve Lead Connector
 - Air Switching Valve and Hoses
 - Injector Connectors
 - Throttle Switch Connector
 - ISC Valve/Inlet Air Temperature Switch Connector
 - Fuel Hose Assy
 - Vacuum Hose (from T-joint)
 - Crankcase Breather Hose



8-6 ENGINE REMOVAL/INSTALLATION

Engine Removal/Installation

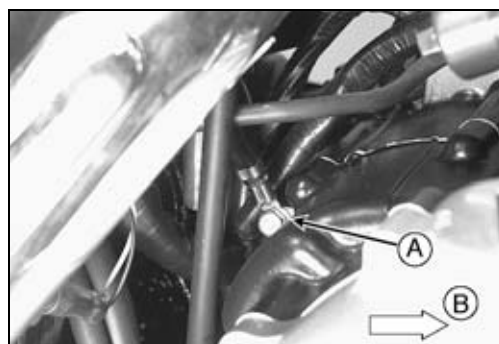
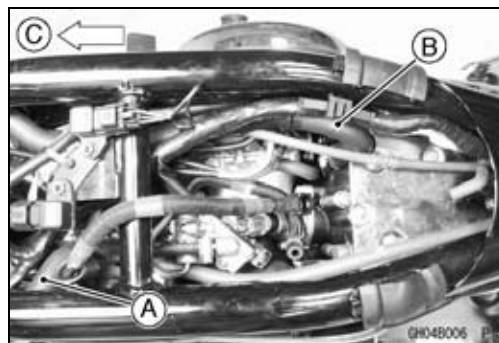
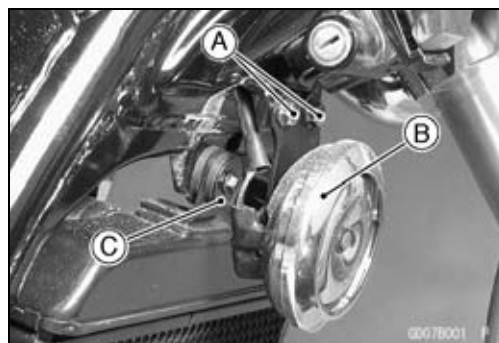
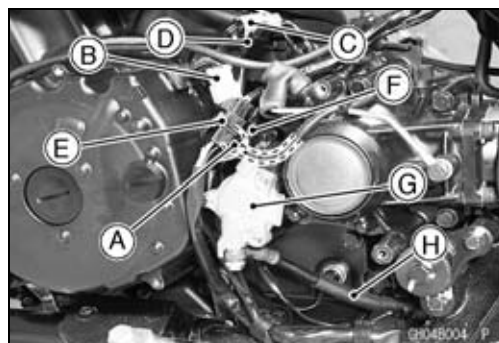
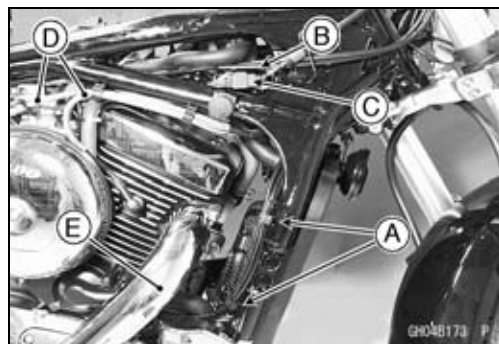
- Disconnect:
 - Snap-on Clamps [A] (pry open)
 - Radiator Fan Motor Connector [B]
 - Rear Brake Light Switch Connector [C]
 - Spark Plug Leads [D]
 - Front and Rear Exhaust Pipes [E] (see Engine Top End chapter)
- Remove:
 - Shift Pedal (see Crankshaft/Transmission chapter)
 - Alternator Outer Cover (see Electrical System chapter)
- Disconnect:
 - Speed Sensor Connector [A]
 - Starter Motor Terminal
 - Alternator Connector [B]
 - Crankshaft Sensor Lead Connector [C]
 - Oil Pressure/Neutral Switch Connector [D]
 - Regulator/Rectifier Connector [E]
 - Sidestand Switch Connector [F]
- Remove:
 - Clutch Slave Cylinder [G]
 - Clutch Hose [H] (from the holder)
- Unscrew the bolts [A] and remove the horn [B].
- Remove the mounting bolt [C].
- Lift up the radiator to clear the stoppers.
- Remove the radiator.

CAUTION

Do not touch the radiator core. This could damage the radiator fins, resulting in loss of cooling efficiency.

- Remove:
 - Water Hose [A] on Front Cylinder Head
 - Water Hose [B] on Rear Cylinder Head
 - Front [C]

- Disconnect the engine ground terminal [A].
 - Front [B]



Engine Removal/Installation

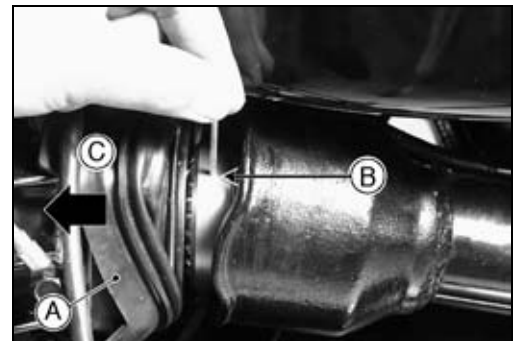
- Support the engine with a commercially available stand [A].
- Remove:
 - Right Spark Plug Lead Holder
 - Front and Rear Exhaust Pipes (see Engine Top End chapter)
 - Engine Mounting Bracket Bolts [B]
 - Downtube Bolts [C]



- Remove the downtube [A] with the right footpeg and rear master cylinder installed.
- Remove:
 - Engine Mounting Bracket Bolts [B]
 - Engine Mounting Bolts and Nuts [C]



- Disengage the propeller shaft from the engine.
- Pull off the rubber boot [A] and push on the lockpin [B] a little with a pin.
- Move the engine forward [C] to free it from the rear propeller shaft.

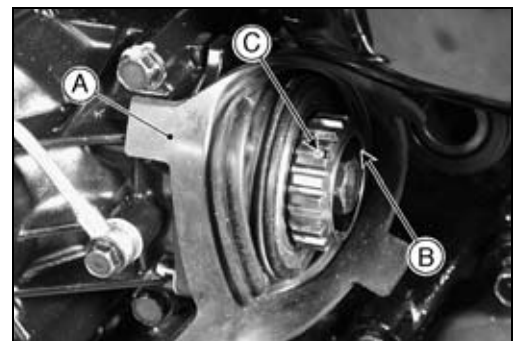


- Remove the engine [A] from the motorcycle right side.



Engine Installation

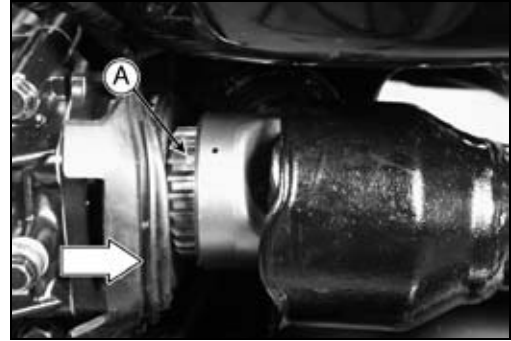
- Support the engine with a commercially available stand and move them inside the frame in the reverse order of removal.
- Install the rubber boot [A] on the rear end of the front bevel gear case.
- Fit the spring [B] into the front bevel gear joint.
- Put the lockpin [C] into the front bevel gear joint.



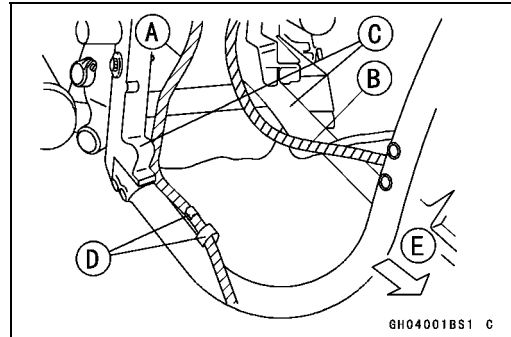
8-8 ENGINE REMOVAL/INSTALLATION

Engine Removal/Installation

- Apply a thin coat of high temperature grease to the driven gear joint and to the propeller shaft joint.
- Push on the lockpin [A] and move back the engine to engage the front bevel gear joint with the propeller shaft joint.



- Run the brake hose [A] and the clutch hose [B] inside the frame [C] as shown.
Clamps [D]
Front [E]



- Insert the rear mounting bolt from the left side of the engine to set the engine into its original position in the frame.
- Tighten:

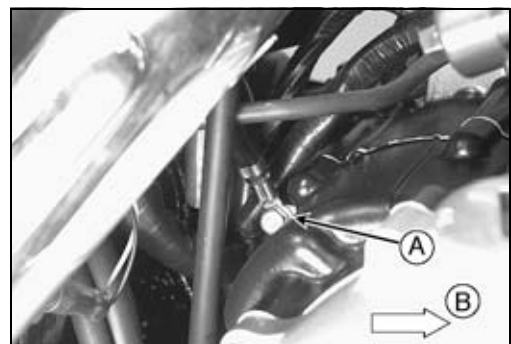
Torque - Downtube Bolts and Nuts: 44 N·m (4.5 kgf·m, 32 ft·lb)

Engine Mounting Bolts and Nuts: 44 N·m (4.5 kgf·m, 32 ft·lb)

Engine Mounting Bracket Bolts: 25 N·m (2.5 kgf·m, 18 ft·lb)

- Run the leads, cables and hoses correctly (see Cable, Wire and Hose Routing section in the Appendix chapter).
- Connect the engine ground lead [A] down to the engine as shown.
Front [B]
- Tighten:

Torque - Engine Ground Terminal Bolt: 7.8 N·m (0.80 kgf·m, 69 in·lb)



Engine Removal/Installation

- Install the removed parts (see appropriate chapters).
- Adjust the throttle cables (see Fuel System chapter).
- Fill the engine with engine oil (see Periodic Maintenance chapter).
- Fill the engine with coolant and bleed the air from the cooling system (see Periodic Maintenance chapter).
- Adjust the idling (see Periodic Maintenance chapter).
- Check the clutch operation.
- Check the brake effectiveness.

⚠ WARNING

Do not attempt to ride the motorcycle until a full brake lever or pedal is obtained by pumping the brake lever or pedal until the pads are against the disc. The brake will not function on the first application of the lever or pedal if this is not done.

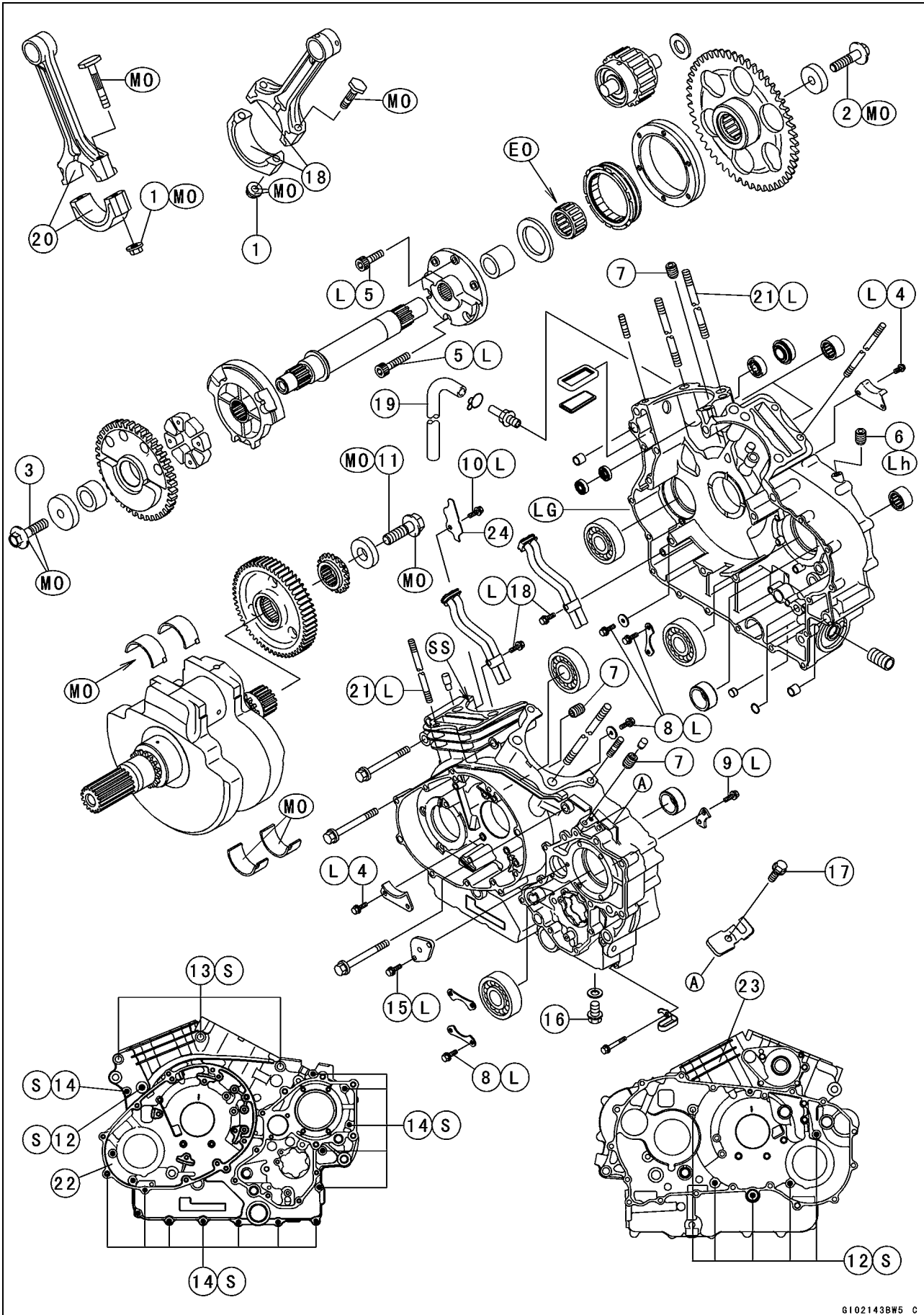
Crankshaft/Transmission

Table of Contents

Exploded View	9-2
Specifications	9-6
Special Tools and Sealants	9-8
Crankcase	9-9
Disassembly.....	9-9
Assembly	9-13
Starter Clutch Disassembly.....	9-20
Starter Clutch Assembly	9-21
Starter Clutch Inspection.....	9-21
Starter Torque Limiter Check	9-21
Crankshaft/Connecting Rods.....	9-22
Connecting Rod Removal.....	9-22
Connecting Rod Installation	9-22
Crankshaft/Connecting Rod Cleaning.....	9-23
Connecting Rod Bend.....	9-23
Connecting Rod Twist.....	9-23
Connecting Rod Big End Side Clearance.....	9-24
Connecting Rod Big End Bearing Wear.....	9-24
Crankshaft Runout.....	9-26
Crankshaft Main Bearing/Journal Wear	9-26
Crankshaft Side Clearance.....	9-26
Primary Gear	9-27
Primary Gear Removal	9-27
Primary Gear Installation	9-27
Transmission	9-29
Shift Pedal Removal	9-29
Shift Pedal Installation	9-29
External Shift Mechanism Removal.....	9-29
External Shift Mechanism Installation.....	9-30
External Shift Mechanism Inspection.....	9-30
Transmission Removal	9-31
Transmission Installation	9-31
Shift Drum Disassembly/Assembly	9-32
Transmission Disassembly	9-33
Transmission Assembly	9-33
Shift Fork Bending	9-34
Shift Fork/Gear Groove Wear	9-34
Shift Fork Guide Pin/Drum Groove Wear.....	9-34
Gear Dog and Gear Dog Hole Damage.....	9-34
Ball Bearing, Needle Bearing, and Oil Seal.....	9-36
Ball Bearing and Outer Race Replacement.....	9-36
Ball and Needle Bearing Wear.....	9-36
Oil Seal Inspection	9-37

9-2 CRANKSHAFT/TRANSMISSION

Exploded View



CRANKSHAFT/TRANSMISSION 9-3

Exploded View

No.	Fastener	Torque			Remarks
		N·m	kgf·m	ft·lb	
1	Connecting rod big end nuts	59	6.0	44	MO
2	Starter clutch bolt	85	8.7	63	MO
3	Left balancer gear bolt	85	8.7	63	MO
4	Camshaft chain guide bolts	11	1.1	97 in·lb	L
5	Starter clutch coupling bolts	15	1.5	11	L
6	Right Crankcase Oil nozzle	2.9	0.30	26 in·lb	Lh
7	Right & Left Crankcase Oil nozzles	2.9	0.30	26 in·lb	
8	Bearing retainer bolts	11	1.1	97 in·lb	L
9	Shift Drum Bearing Holder Bolts	11	1.1	95 in·lb	L
10	Oil baffle bolt	11	1.1	97 in·lb	L
11	Primary gear bolt	147	15	108	MO
12	Crankcase bolts, $\phi 8$	21	2.1	15	S
13	Crankcase bolts, $\phi 10$	39	4.0	29	S
14	Crankcase bolts, $\phi 6$	11	1.1	97 in·lb	S
15	Clutch push rod guide bolts	11	1.1	97 in·lb	L
16	Engine Oil Drain Plug	20	2.0	14	
17	Frame ground bracket bolt	11	1.1	97 in·lb	
18	Oil return pipe bolts	11	1.1	97 in·lb	L

19. Water pump drainage outlet hose

20. Do not apply any oil.

21. Apply a non-permanent locking agent to the tap end of this stud only.

22. Left crankcase

23. Right crankcase

24. Oil baffle

EO: Apply engine oil.

L: Apply a non-permanent locking agent.

LG: Apply liquid gasket (Kawasaki Bond: 92104-1064).

Lh: Left-hand Threads

MO: Apply molybdenum disulfide oil to the threads and the seating surface.

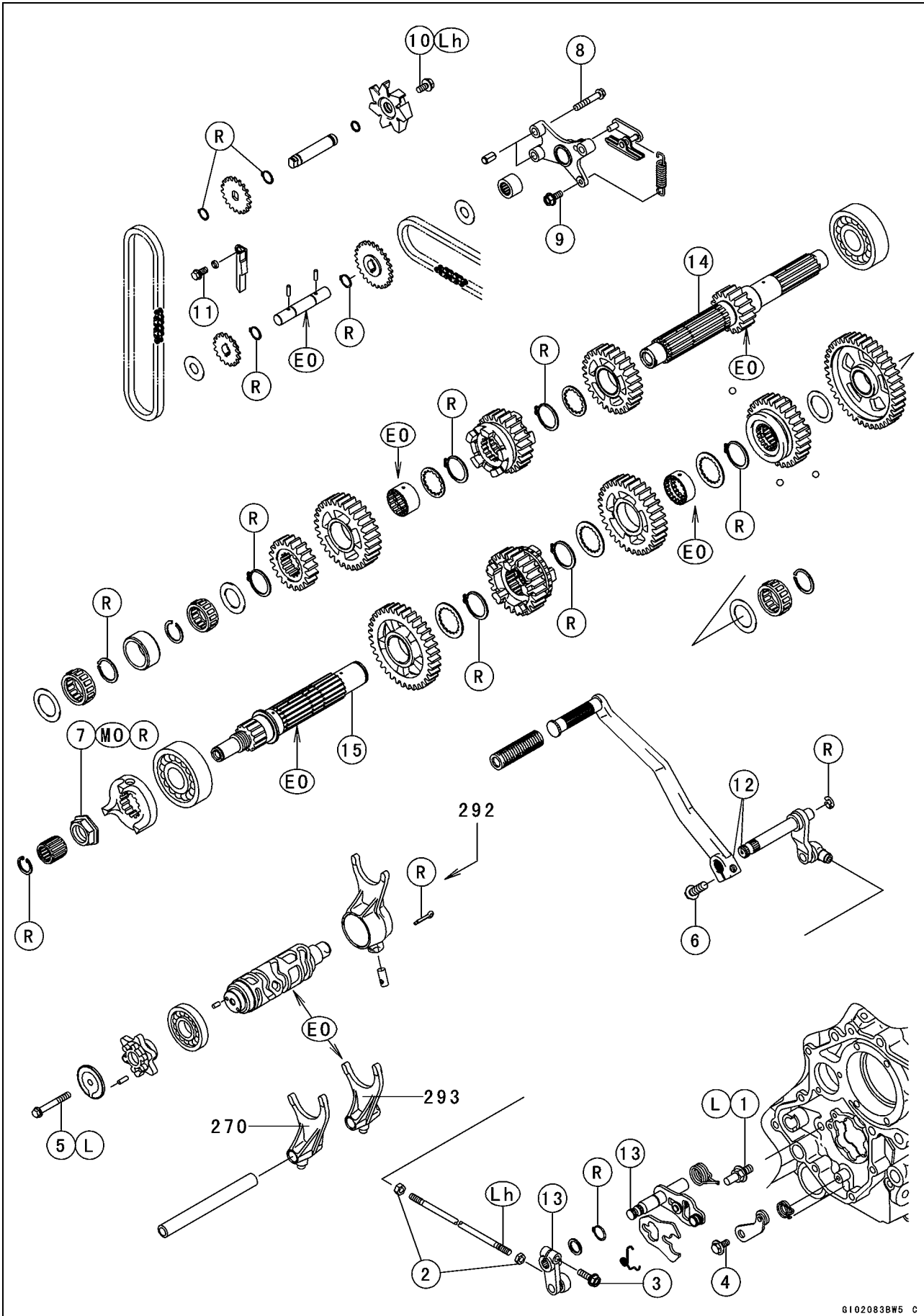
The molybdenum disulfide oil is mixture of engine oil and molybdenum disulfide grease with a weight ratio (10 : 1).

S: Follow the specific tightening sequence.

SS: Apply silicone sealant (Kawasaki Bond: 56019-120).

9-4 CRANKSHAFT/TRANSMISSION

Exploded View



CRANKSHAFT/TRANSMISSION 9-5

Exploded View

No.	Fastener	Torque			Remarks
		N·m	kgf·m	ft·lb	
1	Shift shaft return spring pin	39	4.0	29	L
2	Shift rod locknuts	9.8	1.0	87 in·lb	
3	Rear shift lever clamp bolt	12	1.2	106 in·lb	
4	Gear set lever bolt	11	1.1	97 in·lb	L
5	Shift drum cam bolt	15	1.5	11 in·lb	L
6	Shift pedal clamp bolt	30	3.1	22	
7	Damper cam nut	195	20	144	MO, R
8	Idle shaft holder bolts	8.3	0.85	73 in·lb	
9	Water pump chain guide spring hook bolt	2.9	0.30	26 in·lb	
10	Water pump impeller bolt	8.8	0.90	78 in·lb	Lh
11	Water pump chain guide bolt	8.3	0.85	73 in·lb	

12. Align the punch marks.

13. Align the punch mark with the slit.

14. Drive Shaft

15. Output Shaft

EO: Apply engine oil.

L: Apply a non-permanent locking agent.

Lh: Left-hand Threads

MO: Apply molybdenum disulfide oil.

The molybdenum disulfide oil is mixture of engine oil and molybdenum disulfide grease with a weight ratio (10 : 1).

R: Replacement Parts

9-6 CRANKSHAFT/TRANSMISSION

Specifications

Item	Standard	Service Limit																					
Crankshaft, Connecting Rods																							
Connecting Rod Bend	---	TIR 0.2/100 mm (0.08/3.94 in.)																					
Connecting Rod Twist	---	TIR 0.2/100 mm (0.08/3.94 in.)																					
Connecting Rod Big End Side Clearance	0.16 ~ 0.46 mm (0.0062 ~ 0.0181 in.)	0.7 mm (0.028 in.)																					
Connecting Rod Big End Bearing Insert/Crankpin Clearance	0.026 ~ 0.057 mm (0.001024 ~ 0.0022 in.)	0.10 mm (0.0039 in.)																					
Crankpin Diameter:	54.981 ~ 55.000 mm (2.1646 ~ 2.1654 in.)	54.97 mm (2.1642 in.)																					
Marking:																							
None	54.981 ~ 54.991 mm (2.1646 ~ 2.16500 in.)	---																					
○	54.992 ~ 55.000 mm (2.16504 ~ 2.1654 in.)	---																					
Connecting Rod Big End Bore Diameter:	58.000 ~ 58.020 mm (2.2835 ~ 2.2843 in.)	---																					
Marking																							
None	58.000 ~ 58.010 mm (2.2835 ~ 2.28386 in.)	---																					
○	58.011 ~ 58.020 mm (2.28390 ~ 2.2843 in.)	---																					
Connecting Rod Big End Bearing Insert Thickness:																							
Brown	1.483 ~ 1.487 mm (0.05839 ~ 0.05854 in.)	---																					
Black	1.487 ~ 1.491 mm (0.05854 ~ 0.05870 in.)	---																					
Blue	1.491 ~ 1.495 mm (0.05870 ~ 0.05886 in.)	---																					
Connecting Rod Big End Bearing Insert Selection:																							
<table border="1"> <thead> <tr> <th rowspan="2">Con-rod Big End Bore Diameter Marking</th> <th rowspan="2">Crankpin Diameter Marking</th> <th colspan="2">Bearing Insert</th> </tr> <tr> <th>Size Color</th> <th>Parts Number</th> </tr> </thead> <tbody> <tr> <td>None</td> <td>○</td> <td>Brown</td> <td>92028-1476</td> </tr> <tr> <td>None</td> <td>None</td> <td rowspan="2">Black</td> <td rowspan="2">92028-1475</td> </tr> <tr> <td>○</td> <td>○</td> </tr> <tr> <td>○</td> <td>None</td> <td>Blue</td> <td>92028-1474</td> </tr> </tbody> </table>				Con-rod Big End Bore Diameter Marking	Crankpin Diameter Marking	Bearing Insert		Size Color	Parts Number	None	○	Brown	92028-1476	None	None	Black	92028-1475	○	○	○	None	Blue	92028-1474
Con-rod Big End Bore Diameter Marking	Crankpin Diameter Marking	Bearing Insert																					
		Size Color	Parts Number																				
None	○	Brown	92028-1476																				
None	None	Black	92028-1475																				
○	○																						
○	None	Blue	92028-1474																				
Crankshaft Side Clearance	0.05 ~ 0.55 mm (0.00197 ~ 0.0217 in.)	0.75 mm (0.0295 in.)																					
Crankshaft Web Length	96.85 ~ 96.95 mm (3.8130 ~ 3.8169 in.)	96.6 mm (3.803 in.)																					
Crankshaft Runout	TIR 0.02 mm (0.0008 in.) or less	TIR 0.05 mm (0.0020 in.)																					
Crankshaft Main Bearing/Journal Clearance	0.025 ~ 0.052 mm (0.00098 ~ 0.00205 in.)	0.10 mm (0.00394 in.)																					

CRANKSHAFT/TRANSMISSION 9-7

Specifications

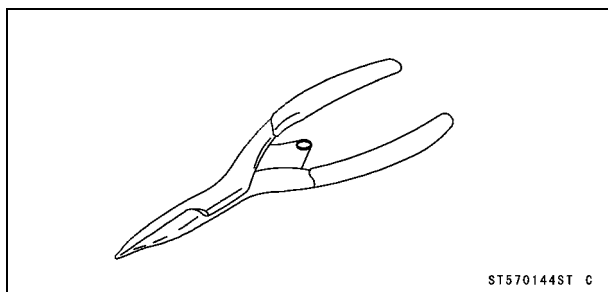
Item	Standard	Service Limit
Crankshaft Main Journal Diameter	54.986 ~ 55.000 mm (2.1648 ~ 2.1654 in.)	54.96 mm (2.1638 in.)
Crankcase Main Bearing Bore Diameter	55.025 ~ 55.038 mm (2.1663 ~ 2.1669 in.)	55.07 mm (2.1681 in.)
Transmission		
Shift Fork Ear Thickness	5.9 ~ 6.0 mm (0.232 ~ 0.236 in.)	5.8 mm (0.228 in.)
Gear Shift Fork Groove Width	6.05 ~ 6.15 mm (0.238 ~ 0.242 in.)	6.3 mm (0.248 in.)
Shift Fork Guide Pin Diameter	7.9 ~ 8.0 mm (0.311 ~ 0.315 in.)	7.8 mm (0.307 in.)
Shift Drum Groove Width	8.05 ~ 8.20 mm (0.317 ~ 0.323 in.)	8.3 mm (0.327 in.)

9-8 CRANKSHAFT/TRANSMISSION

Special Tools and Sealants

Outside Circlip Pliers:

57001-144

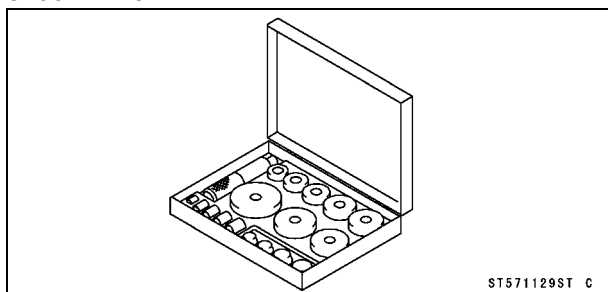


Damper Cam Holder:

57001-1025

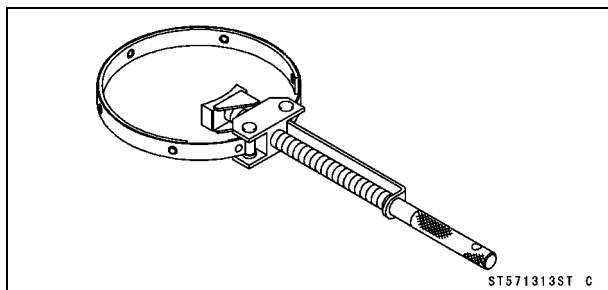
Bearing Driver Set:

57001-1129



Flywheel Holder:

57001-1313

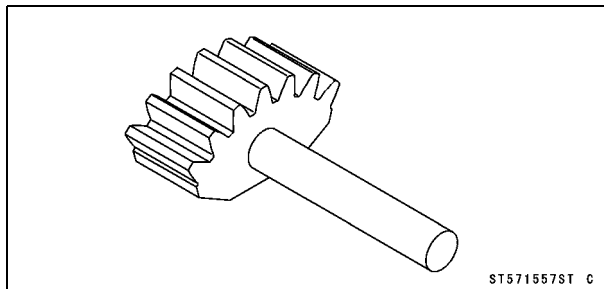


Flywheel Holder:

57001-1410

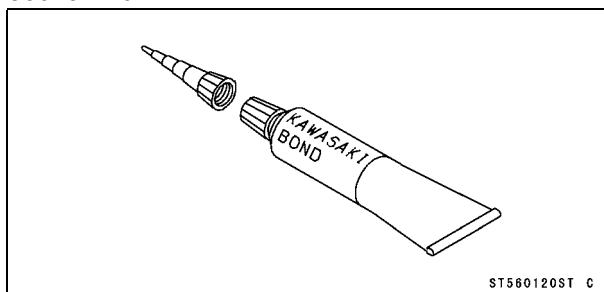
Gear Holder, m2.0:

57001-1557



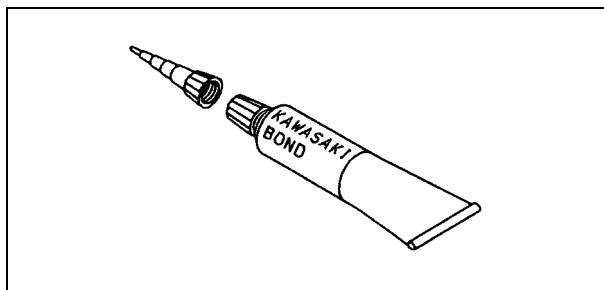
Kawasaki Bond (Silicone Sealant):

56019-120



Kawasaki Bond (Liquid Gasket - Black) :

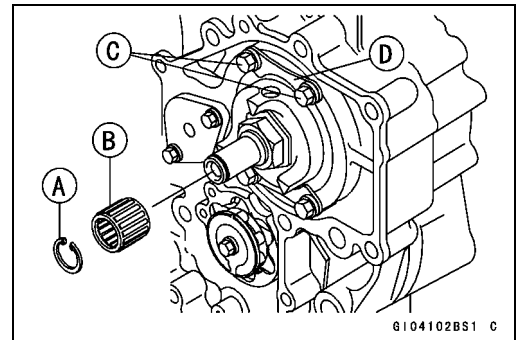
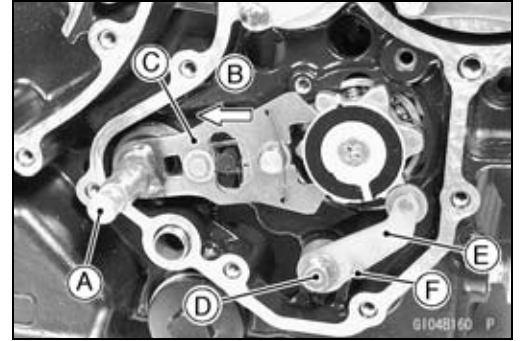
92104-1003



Crankcase

Disassembly

- Remove:
 - Engine (see Engine Removal/Installation chapter)
 - Cylinder Blocks (see Engine Top End chapter)
 - Pistons (see Engine Top End chapter)
 - Clutch (see Clutch chapter)
 - Front Gear Case (see Final Drive chapter)
 - Alternator Inner Cover (see Electrical System chapter)
 - Remove the shift shaft [A] while pushing [B] the shift mechanism arm [C] towards the shift shaft.
 - Unscrew the bolt [D] and remove the gear set lever [E] and its spring [F].
 - Remove the retainer [A] and needle bearing [B] from the output shaft.
- Special Tool - Outside Circlip Pliers: 57001-144**
- Remove the crankcase bearing upper retainer bolts [C] and retainer [D].

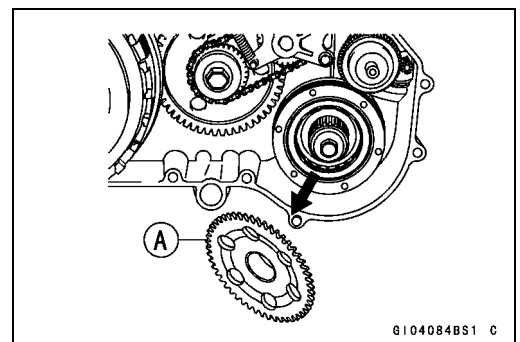


- Remove the clutch push rod guide [A] and bolts.
- Insert a bolt ($\phi 12$ mm, L 100 mm) [B] into the engine mounting bolt hole.
- Unscrew the damper cam nut [C] using the damper cam holder [D] (special tool) and deep socket wrench.

Special Tool - Damper Cam Holder: 57001-1025



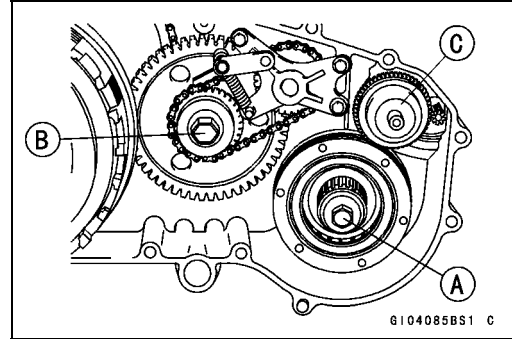
- Pull the starter clutch gear [A] out of the starter clutch (The starter clutch gear can be removed with the engine in the frame).



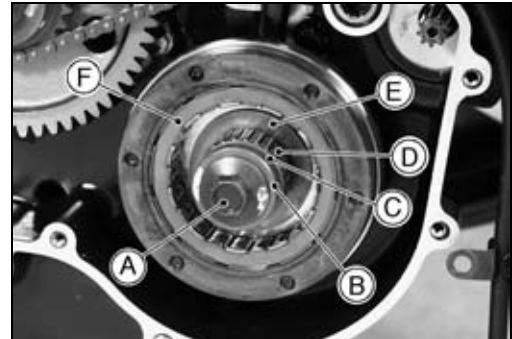
9-10 CRANKSHAFT/TRANSMISSION

Crankcase

- Loosen the starter clutch bolt [A] while holding the primary gear bolt [B].
- Take out the torque limiter [C].

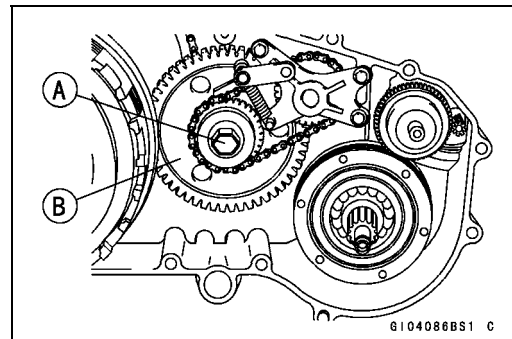


- Remove the following from the right end of the balancer shaft.
 - Starter Clutch Bolt [A]
 - Washer [B]
 - Collar [C]
 - Needle Bearing [D]
 - Copper Washer [E]
 - Starter Clutch [F]



- Loosen the primary gear bolt [A] while holding the alternator rotor steady with the flywheel holder (The primary gear can be removed with the engine in the frame).
 - Primary Gear [B]

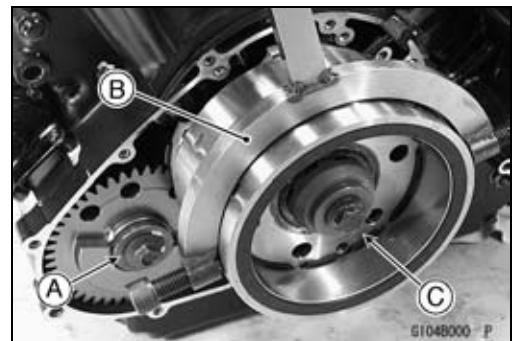
Special Tool - Flywheel Holder: 57001-1410



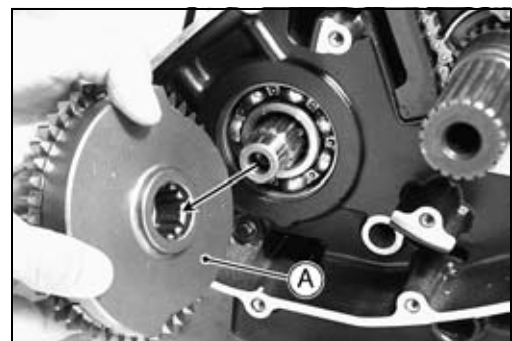
- Loosen the left balancer gear bolt [A], using the flywheel holder [B]. The left balancer gear bolt has right-hand threads.

Special Tool - Flywheel Holder: 57001-1410

- Remove the alternator rotor bolt [C] and the alternator.



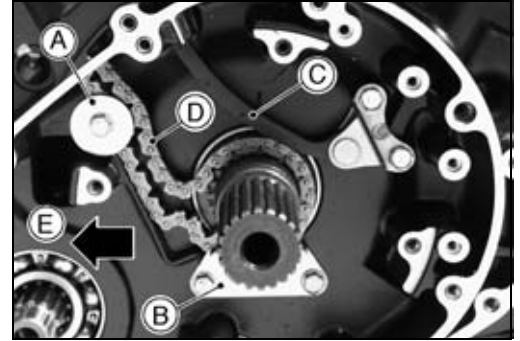
- Take the balancer gear, washer, and left balancer [A] off the balancer shaft as a set.



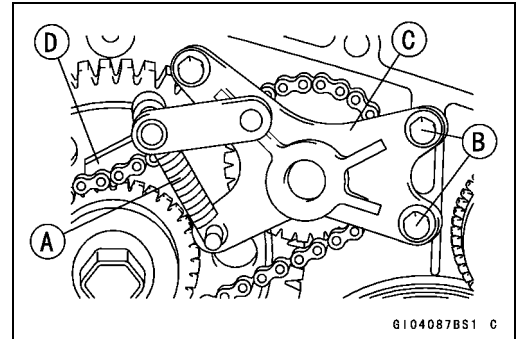
Crankcase

- Remove the following from the left crankcase with the cylinder head removed.

Front Chain Guide [A]
 Lower Chain Guide [B]
 Rear Chain Guide [C]
 Front Camshaft Chain [D]
 Front [E]

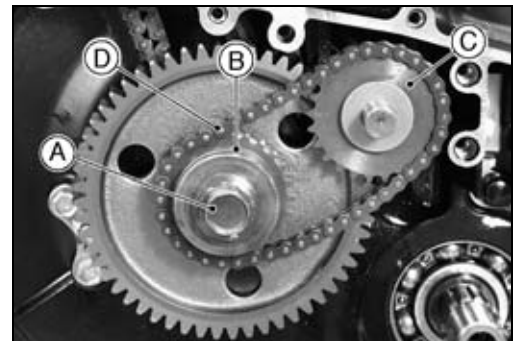


- Take the end of the spring [A] off the hook and unscrew the bolts [B].
- Remove the idle shaft holder [C] and chain guide [D] from the right crankcase (The idle shaft holder can be removed with the engine in the frame).



- Remove the primary gear bolt [A] and take out the water pump drive sprocket [B] and idle shaft sprocket [C] as a set.

Chain [D]

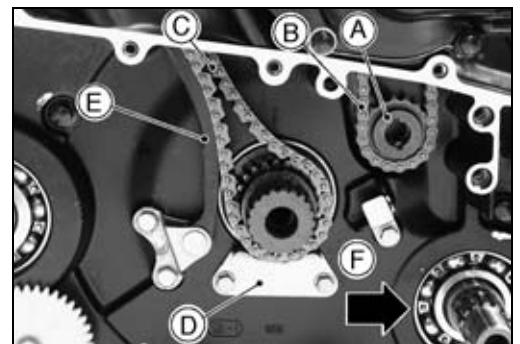


- Pull the primary gear [A] out of the crankshaft, and take the idle shaft [B] out of the crankcase. The idle shaft has two pins [C].



- Remove the following with the cylinder head removed.

Idle Shaft Sprocket [A] (with flat washer) from Water Pump Chain [B]
 Rear Camshaft Chain [C]
 Lower Chain Guide [D]
 Rear Chain Guide [E]
 Front [F]



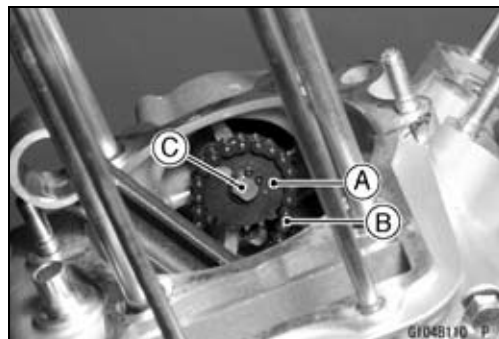
9-12 CRANKSHAFT/TRANSMISSION

Crankcase

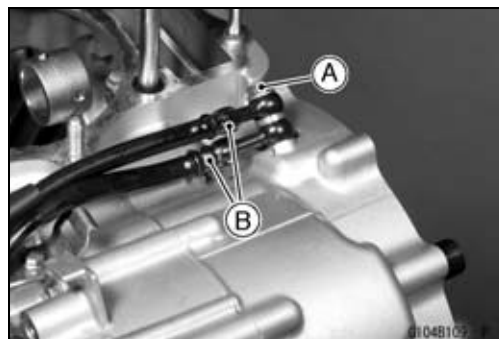
- Remove the starter motor bolts [B] and the motor [A] from the crankcase.



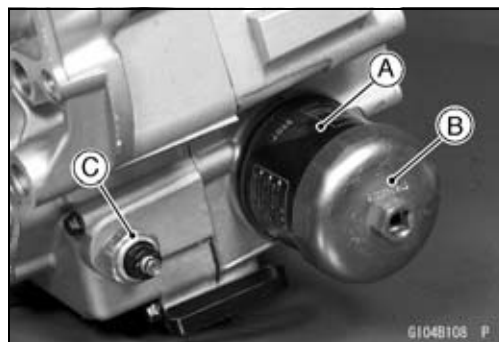
- Pull the water pump sprocket [A] with its chain [B] and shaft [C].



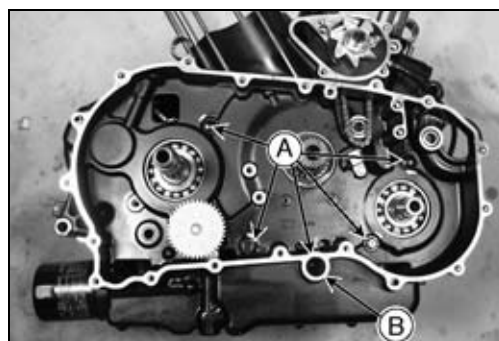
- Remove the oil banjo bolt [A] with the hoses [B].



- Remove the oil filter [A] with the oil filter wrench [B].
Special Tool - Oil Filter Wrench: 57001-1249
- Remove the oil pressure switch [C].



- Remove the right crankcase bolts.
φ8 mm Bolts (5) [A]
- Be sure to remove this bolt [B]

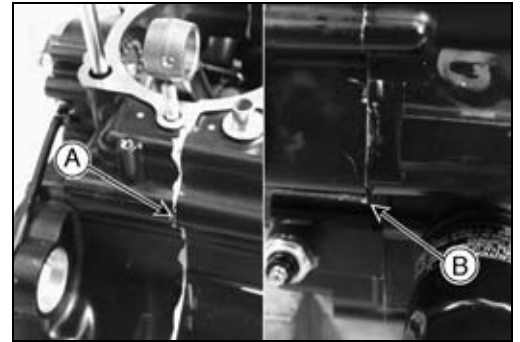


Crankcase

- Remove all the left crankcase bolts in the order listed.
 - φ6 mm Bolts (14) [A]
 - φ8 mm Bolt (1) [B]
 - φ10 mm Bolts (3) [C]

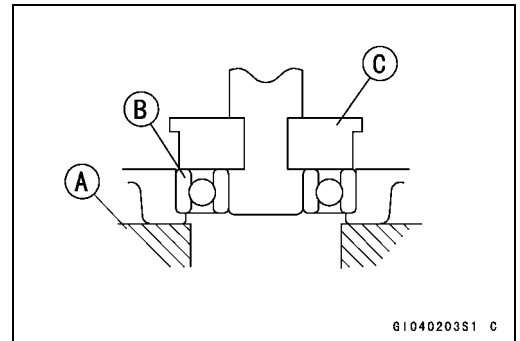


- Turn the left crankcase down.
- Lift up the right crankcase.
- Using the pry points, split the crankcase halves.
 - Pry Point (Front) [A]
 - Pry Point (Rear) [B]
- Remove the following from the left crankcase.
 - Crankshaft
 - Transmission Gear Assy (see Transmission Removal)
 - Balancer Shaft



Assembly

- With a high-flash point solvent, clean off the mating surfaces of the crankcase halves and wipe dry.
- Using compressed air, blow out the oil passages in the crankcase halves.
- Support the crankcase bearing boss with a suitable retainer [A].
- Using a press and the bearing driver set [C], install a new bearing [B] by pushing the bearing outer race until it bottoms out.



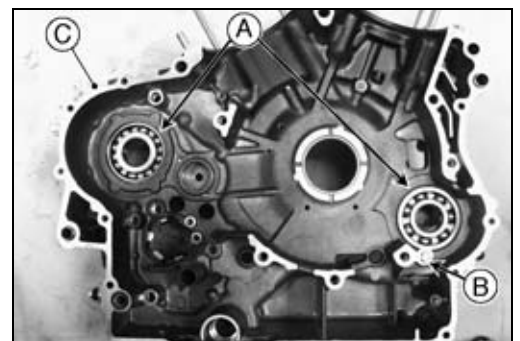
CAUTION

Support the crankcase bearing boss when pushing the bearing, otherwise the crankcase could be damaged.

- Press the three needle bearings with manufacturer's marks facing out into holes on the right side of the right crankcase. Push the needle bearing outer race until the face of the bearing is even with the end of the hole, using a driver.

Special Tool - Bearing Driver Set: 57001-1129

- Install the bearing retainers.
 - Special Tool - Bearing Driver Set: 57001-1129**
 - Bearings [A]
 - Bearing Retainer [B]
 - Left Crankcase [C]



- Apply:
 - Non-permanent Locking Agent - Bearing Retainer Bolts**
- Tighten:
 - Torque - Bearing Retainer Bolts: 11 N·m (1.1 kgf·m, 97 in·lb)**

9-14 CRANKSHAFT/TRANSMISSION

Crankcase

- Apply silicone sealant [A] to the step of the oil separating chamber [B] in the left crankcase [C].

Sealant - Kawasaki Bond (Silicone Sealant): 56019-120

- Install the oil baffle [D] on the chamber.
Front [E]

- Apply:

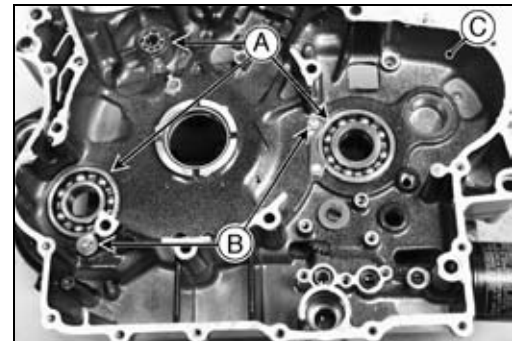
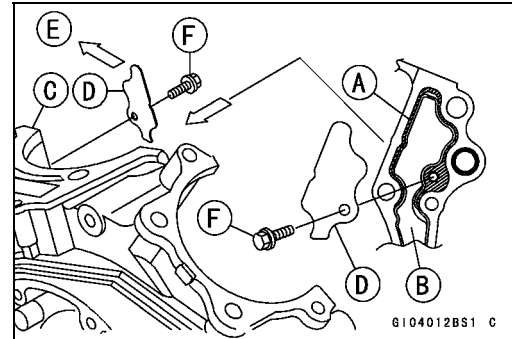
**Non-permanent Locking Agent -
Oil Baffle Bolt [F]**

- Tighten:

Torque - Oil Baffle Bolt: 11 N·m (1.1 kgf·m, 97 in·lb)

- Install:

Bearings [A]
Bearing Retainers [B]
Right Crankcase [C]



- Apply a non-permanent locking agent to the shift shaft return spring pin [A], and tighten it to the specified torque.

Torque - Shift Shaft Return Spring Pin: 39 N·m (4.0 kgf·m, 29 ft·lb)

- Apply silicone sealant to the threads of the oil pressure switch [B], and tighten it to the specified torque.

Torque - Oil Pressure Switch: 15 N·m (1.5 kgf·m, 11 ft·lb)

- Install new water pump shaft bearings and oil seal (see Cooling System chapter).

- Tighten the engine oil drain plug to the specified torque.

Torque - Engine Oil Drain Plug: 20 N·m (2.0 kgf·m, 15 ft·lb)



- Install the transmission assy as a set (see this chapter).

- Set the gear set lever to the neutral position.

Shift Drum Cam [A]
Gear Set Lever [B]
Neutral Position [C]



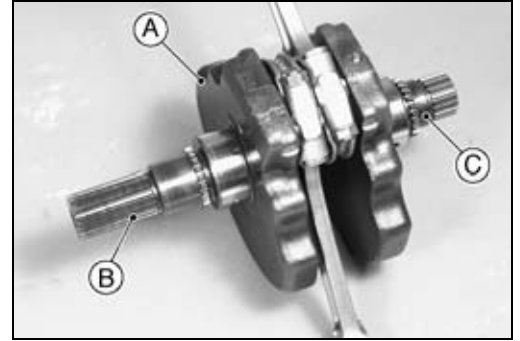
Crankcase

- Apply engine oil to the transmission gears, ball bearings, shift drum, and crankshaft main bearing.

- Install:

Oil Pipe and Oil Return Pipes (see Engine Lubrication System chapter)

- The left shaft [B] of the crankshaft [A] is longer than the right shaft [C].



- Check to see that the following parts are in place in the left crankcase.

Transmission Assy [A] and Shift Drum [B]

Shift Fork [C] and Shift Rod [D]

Crankshaft [E]

Front Connecting Rod [F] (right)

Rear Connecting Rod [G] (left)

Balancer Shaft [H]

Dowel Pins [J]

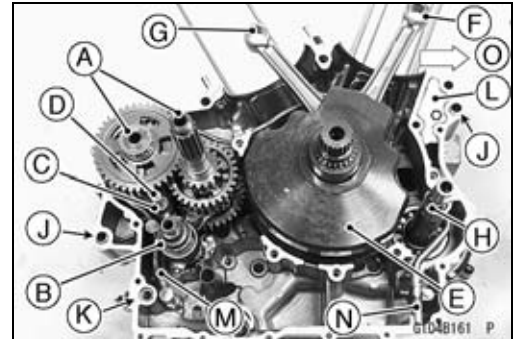
O-ring [K]

Oil Baffle [L]

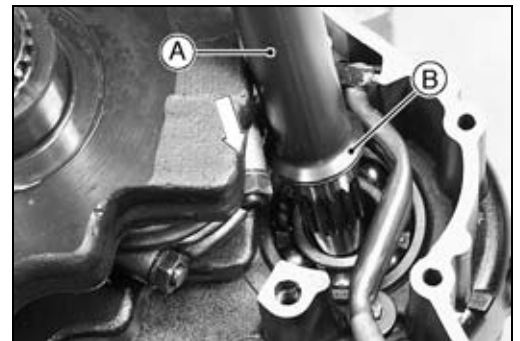
Oil Pipe [M]

Oil Return Pipe [N]

Front [O]



- Install the balancer shaft [A] so that the flanged side [B] faces downward (toward the left crankcase).

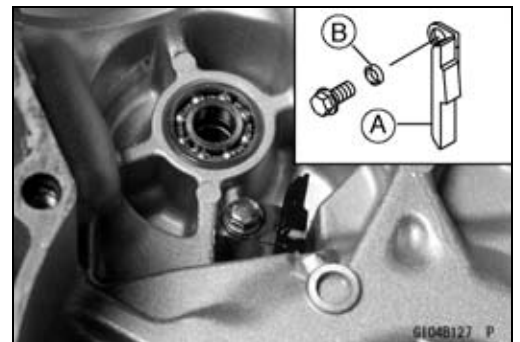


- Install the water pump chain guide [A].

- Be sure to install the collar [B] in the bolt hole.

- Tighten:

Torque - Water Pump Chain Guide Bolt: 8.3 N·m (0.85 kgf·m, 73 in·lb)

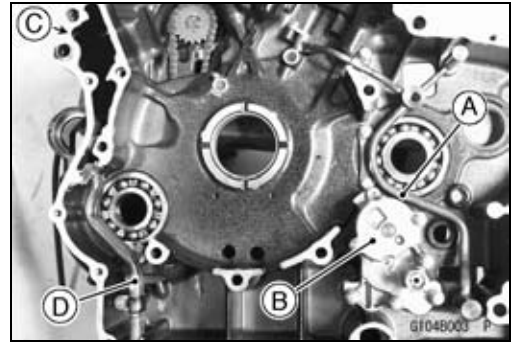


9-16 CRANKSHAFT/TRANSMISSION

Crankcase

- Check to see that the following parts are in place in the right crankcase.

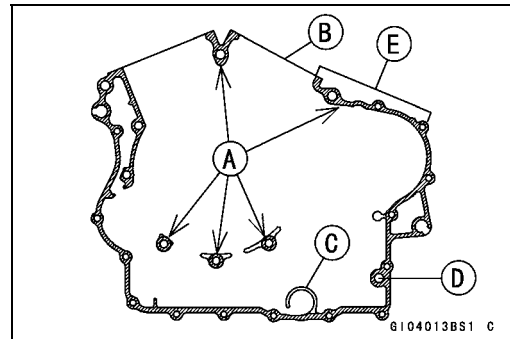
- Oil Pipe [A]
- Oil Pump [B]
- Oil Separator [C]
- Oil Return Pipe [D]



- Apply liquid gasket [A] to the mating surface of the right crankcase [B].

Sealant - Kawasaki Bond (Liquid Gasket - Black) : 92104-1003

- Do not apply liquid gasket to the area [C] around the hole of the oil screen.
- Do not drop liquid gasket into the oil passage [D].
- After tightening the crankcase bolts, wipe up the liquid gasket seeping out around the mating surface, especially around the area [E].



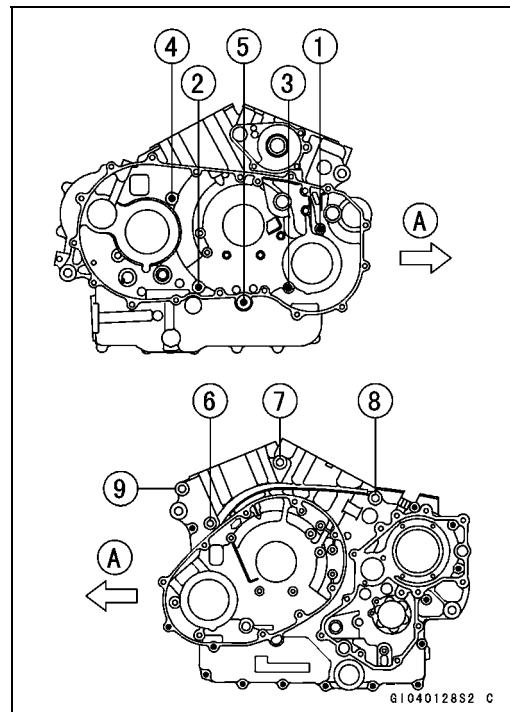
- Tighten the crankcase bolts as follows.
- Lightly tighten all the bolts to a snug fit.
- Tighten the **8 mm** and **10 mm** bolts in the order shown, and then tighten the **6 mm** bolts to the specified torque.

Torque - 8 mm Crankcase Bolts (1 ~ 6): 21 N·m (2.1 kgf·m, 15 ft·lb)

10 mm Crankcase Bolts (7 ~ 9): 39 N·m (4.0 kgf·m, 29 ft·lb)

6 mm Crankcase Bolts: 11 N·m (1.1 kgf·m, 97 in·lb)

Front [A]



- After tightening all the crankcase bolts, check the following items.

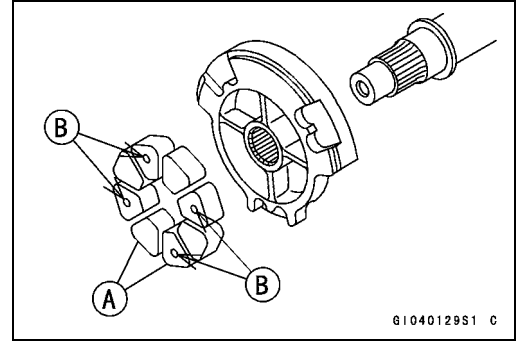
- Wipe up the liquid gasket that seeps out around the crankcase mating surface.
- Turn the right crankcase down, and check that the drive shaft and output shaft turn freely.
- Check that the positive neutral finder operates properly: While spinning [C] the output shaft [A] using an air impact wrench, gears shift smoothly from the 1st, 2nd . . . 5th gear, and 5th, 4th . . . 1st. When the output shaft stays still, the gear can be shifted to only the 1st gear or neutral. It should not be shifted to the 2nd gear or other higher gear positions.

Shift Drum [B]

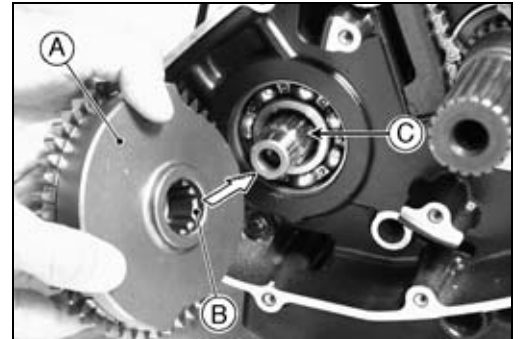


Crankcase

- Install the balancer dampers [A] so that each damper hole [B] is positioned alternately.



- Install the left balancer [A] on the balancer shaft in the engine left side while fitting the alignment tooth [B] onto the alignment notch [C] of the splines.



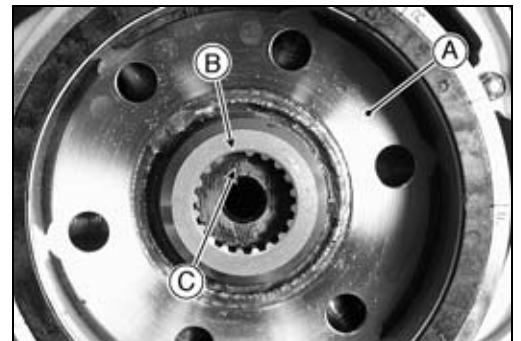
- Install the camshaft chain and chain guide in the engine left side.
- Tighten:

Torque - Camshaft Chain Guide Bolts: 11 N·m (1.1 kgf·m, 97 in·lb)

- Turn the crankshaft counterclockwise [A] and align the alignment tooth [B] with the middle of the crankcase rib [C]. This makes the front piston set to its top dead center.

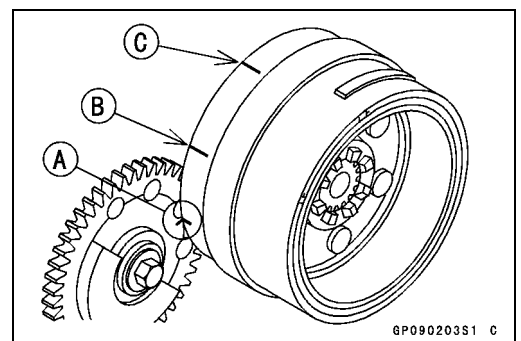


- Install the alternator rotor [A] while fitting the alignment notch [B] of the splines onto the alignment tooth [C].



- Be sure to align the balancer gear mark with the alternator mark (shorter line mark) [A] while keeping the front piston on its top dead center.

Top Mark for Rear Piston [B] (longer mark)
 Top Mark for Front Piston [C] (longer mark)



9-18 CRANKSHAFT/TRANSMISSION

Crankcase

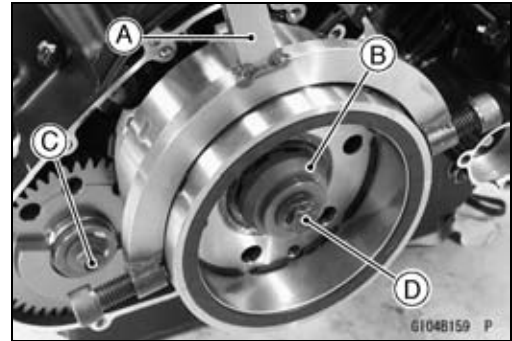
- Apply molybdenum disulfide oil to the threads and the seating surface of the left balancer gear bolt and alternator rotor bolt.
- Holding the alternator rotor steady with the flywheel holder [A].

Special Tool - Flywheel Holder: 57001-1410

- Install the ratchet [B].
- Tighten:

Torque - Left Balancer Gear Bolt [C]: 85 N·m (8.7 kgf·m, 63 ft·lb)

Alternator Rotor Bolt [D]: 78 N·m (8.0 kgf·m, 57 ft·lb)

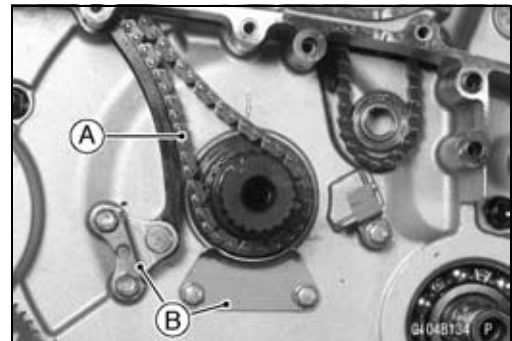


- Install the following in the engine right side.
Camshaft Chain [A] and Chain Guides [B]
- Apply:

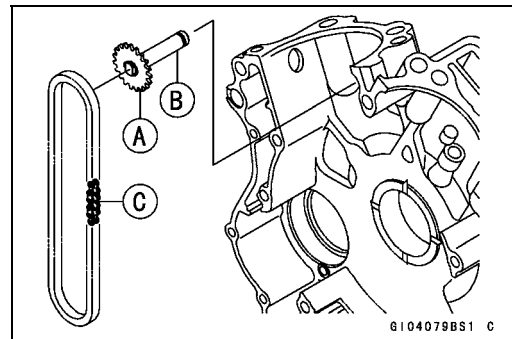
**Non-permanent Locking Agent -
Camshaft Chain Guide Bolts**

- Tighten:

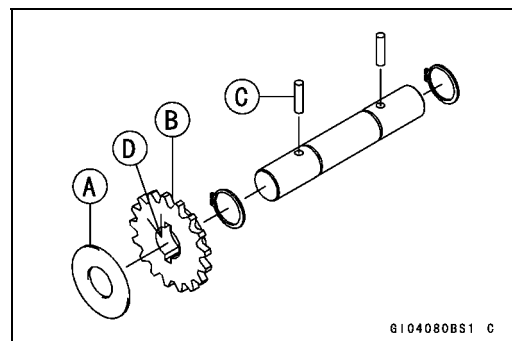
Torque - Camshaft Chain Guide Bolts: 11 N·m (1.1 kgf·m, 95 in·lb)



- Install:
Water Pump Sprocket [A] with Shaft [B]
Chain [C]



- Install:
Washer [A]
Idle Shaft Sprocket [B]
- Fit the pin [C] into the slots [D] of the idle shaft sprocket.

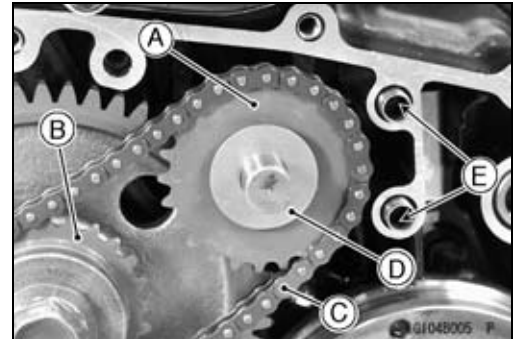


Crankcase

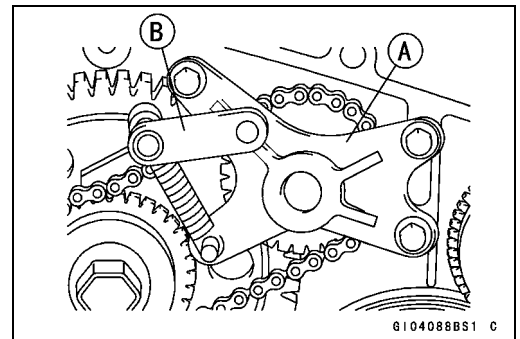
- Install the primary gear [A] with the boss [B] facing toward the engine inside.



- Install:
 Idle Shaft Sprocket [A] and Pin
 Water Pump Drive Sprocket [B] and Chain [C]
 Washer [D]
 Dowel Pins [E]



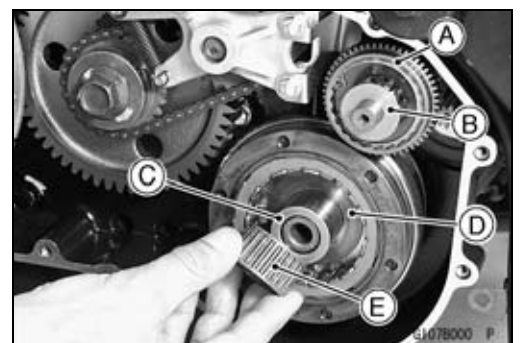
- Install:
 Idle Shaft Holder [A] and Water Pump Chain Guide [B].
- Tighten:
Torque - Water Pump Chain Guide Bolt, Idle Shaft Holder Bolts: 8.3 N·m (0.85 kgf·m, 73 in·lb)



- Fit the alignment tooth [A] of the splines of the right balancer [B] onto the alignment notch of the balancer shaft.



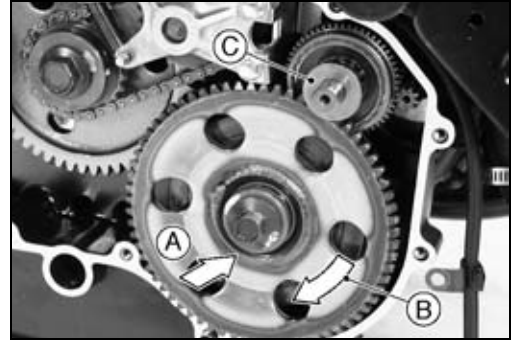
- Install the starter torque limiter [A] and washer [B].
- Install the collar [C], copper washer [D], and needle bearing [E] in the order listed.
- The copper washer must be on the collar.



9-20 CRANKSHAFT/TRANSMISSION

Crankcase

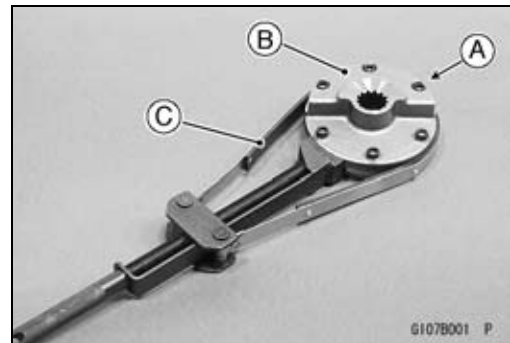
- Push the starter clutch gear [A] in and turn it clockwise [B] and install it.
- Apply molybdenum disulfide oil to the threads and seating surface of the starter clutch bolt and tighten it to the specified torque while holding the primary gear bolt.
- Tighten:
Torque - Starter Clutch Bolt: 85 N·m (8.7 kgf·m, 63 ft·lb)
- Be sure to install the washer [C] onto the torque limiter.



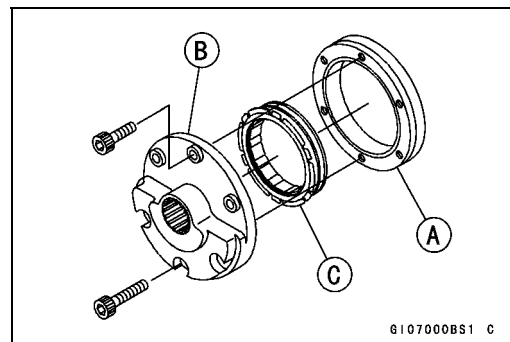
- Install:
Shift Mechanism (see External Shift Mechanism Installation)
Damper Cam and Front Gear Case (see Final Drive chapter)
Clutch (see Clutch chapter)
Water Pump (see Cooling System chapter)
Clutch Cover
Cylinder (see Engine Top End chapter)
Piston (see Engine Top End chapter)
Alternator Inner Cover, Alternator Cover, Alternator Outer Cover (see Electrical System chapter)

Starter Clutch Disassembly

- Remove the starter clutch assy (see Crankcase Disassembly).
- Remove the Allen bolts [A] with the balancer mass [B] held with the flywheel holder [C] (special tool).
Special Tool - Flywheel Holder: 57001-1313



- Pull the coupling [A] out of the right balancer [B].
- Take the one-way clutch [C] out of the coupling.



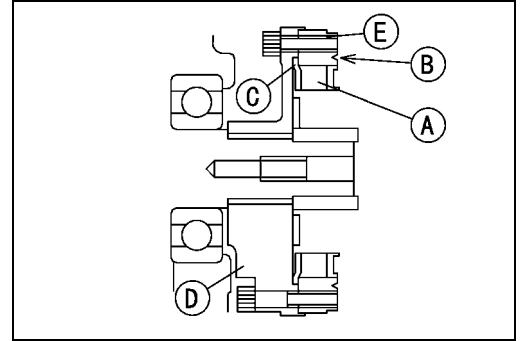
Crankcase

Starter Clutch Assembly

- Install the one way clutch [A] so that its groove [B] faces outward and its flange [C] fits between the right balancer [D] and the coupling [E].
- Apply a non-permanent locking agent to the threads of the coupling bolts, and tighten them to the specified torque.

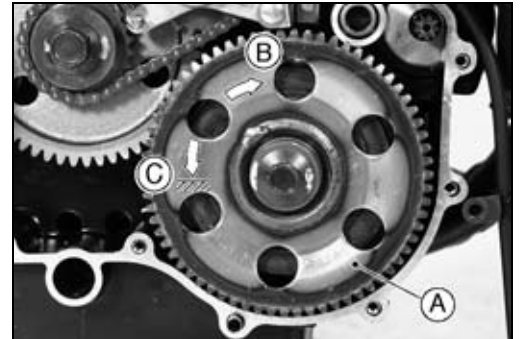
Torque - Starter Clutch Coupling Bolts: 15 N·m (1.5 kgf·m, 11 ft·lb)

Special Tool - Flywheel Holder: 57001-1313

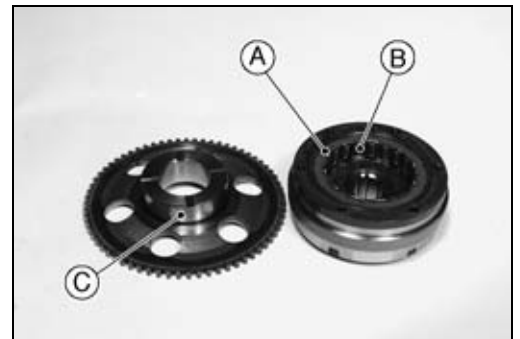


Starter Clutch Inspection

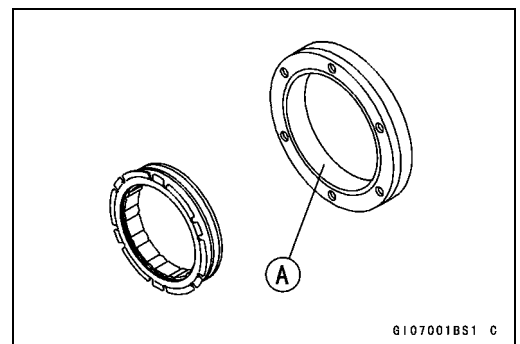
- Remove the starter clutch gear [A] and torque limiter, then reinstall the starter clutch gear into the starter clutch.
- Turn the starter clutch to both side.
- When viewed from the right side of the engine, the clutch should turn clockwise [B] freely, but should not turn counterclockwise [C].



- ★ If the starter clutch does not operate as it should or if it makes noise, disassemble the starter clutch.
- ★ If one-way clutch [A] installation is wrong, reinstall it.
- ★ Visually inspect the one-way clutch, coupling and starter clutch gear for damage.
- ★ If there is any worn or damaged surface in the following parts, replace it.
 - Sliding Surface [B] and Cage of One-way Clutch
 - Sliding Surface [C] of Starter Clutch Gear



Sliding Surface [A] of Coupling

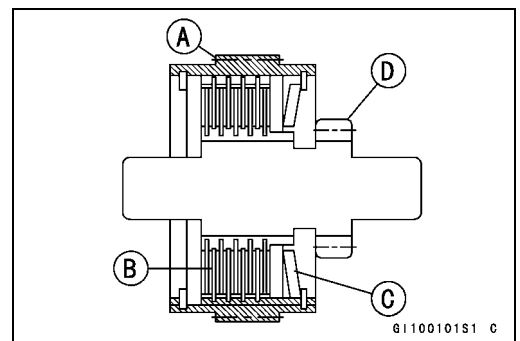


6107001BS1 C

Starter Torque Limiter Check

- Remove the torque limiter (see Crankcase Disassembly) and visually inspect it.
- ★ If the limiter has wear, discoloration, or other damage, replace it as a set.

- Gear [A]
- Friction Plates [B]
- Spring [C]
- Pinion [D]



61100101S1 C

9-22 CRANKSHAFT/TRANSMISSION

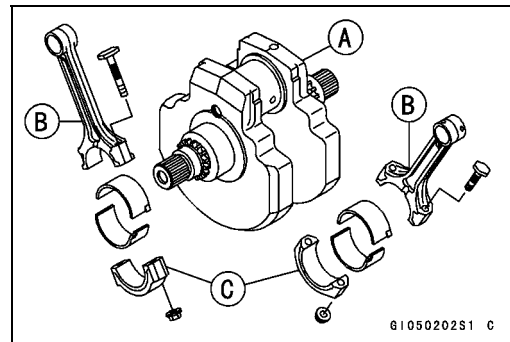
Crankshaft/Connecting Rods

Connecting Rod Removal

- Remove the crankshaft.
- Remove the connecting rod big end nuts, and take off the rod and cap along with the bearing inserts from the crankshaft [A].

NOTE

- Mark and record the locations of the connecting rods [B] and their big end caps [C] with the bearing inserts left attached so that they can be installed in their original positions.



CAUTION

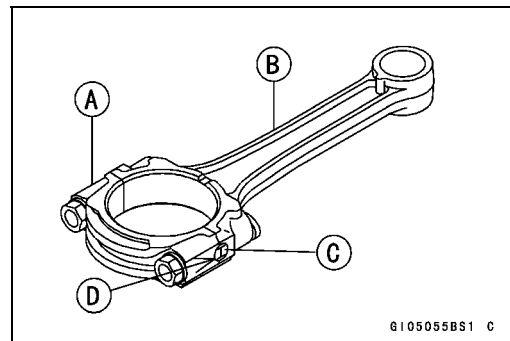
To prevent damage to the crankpin surfaces, do not allow the connecting rod bolts to bump against the crankpins.

Connecting Rod Installation

CAUTION

To minimize vibration, the connecting rods should have the same weight mark.

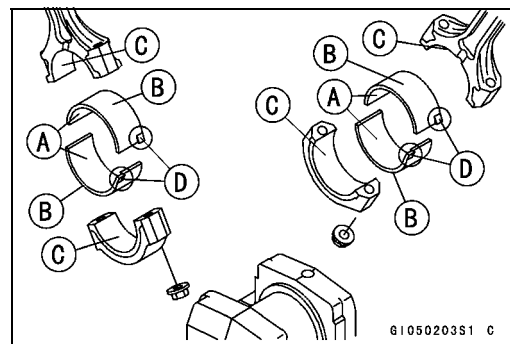
- Big End Cap [A]
- Connecting Rod [B]
- Weight Mark, Alphabet [C]
- Diameter Mark (Around Weight Mark) [D]: "O" or no mark



CAUTION

If the connecting rods, bearing inserts, or crankshaft are replaced with new ones, select the bearing insert and check clearance with a plastigage before assembling engine to be sure the correct bearing inserts are installed.

- Apply molybdenum disulfide oil to the inside [A] of the big end bearing inserts.
- ★ If bearing inserts are replaced, install them as follows.
 - Do not apply molybdenum disulfide oil to the outside [B] of the inserts or the inside [C] of the connecting rod and cap.
 - Install the inserts so that their nails [D] are on the same side and fit into the recess of the connecting rod and cap.



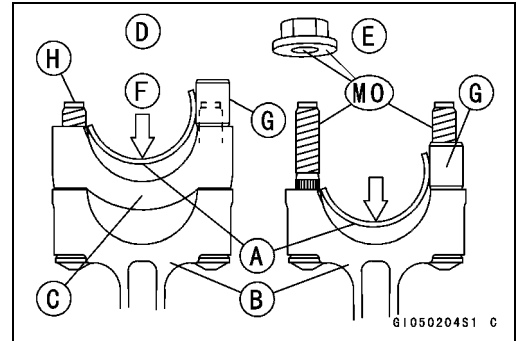
Crankshaft/Connecting Rods

○When installing the inserts [A], be careful not to damage the insert surface with the edge of the connecting rod [B] or the cap [C]. One way to install inserts is as follows:

- Installation [D] to Cap
- Installation [E] to Connecting Rod
- Push [F]
- Dowel Pin [G]
- Connecting Rod Bolts [H]

- Install the cap on the connecting rod, aligning the weight and diameter marks.
- Remove debris and clean the surface of inserts.
- Apply molybdenum disulfide oil [MO] to the threads, seating surfaces of the big end nuts and threads of con-rod bolts.
- Tighten the big end nuts to the specified torque.

Torque - Connecting Rod Big End Nuts: 59 N·m (6.0 kgf·m, 43 ft·lb)

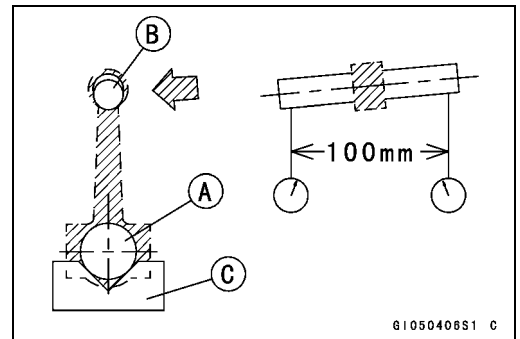


Crankshaft/Connecting Rod Cleaning

- After removing the connecting rods from the crankshaft, clean them with a high-flash point solvent.
- Blow the crankshaft oil passages with compressed air to remove any foreign particles or residue that may have accumulated in the passages.

Connecting Rod Bend

- Remove the connecting rod big end bearing inserts, and reinstall the connecting rod big end cap.
 - Select an arbor [A] of the same diameter as the connecting rod big end, and insert the arbor through the connecting rod big end.
 - Select an arbor of the same diameter as the piston pin and more than 105 mm long, and insert the arbor [B] through the connecting rod small end.
 - On a surface plate, set the big-end arbor on a V block [C].
 - With the connecting rod held vertically, use a height gauge to measure the difference in the height of the arbor above the surface plate over a 100 mm length to determine the amount of connecting rod bend.
- ★ If connecting rod bend exceeds the service limit, the connecting rod must be replaced.

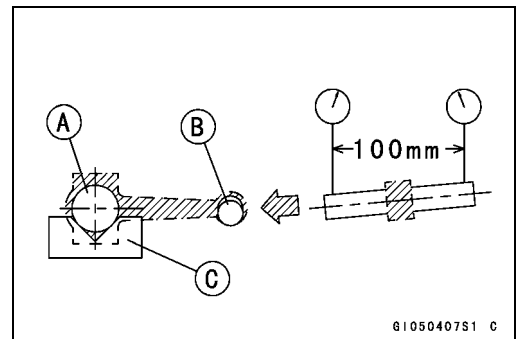


Connecting Rod Bend

Service Limit: TIR 0.2/100 mm (0.08/3.94 in.)

Connecting Rod Twist

- With the big-end arbor [A] still on the V block [C], hold the connecting rod horizontally and measure the amount that the arbor [B] varies from being parallel with the surface plate over a 100 mm length of the arbor to determine the amount of connecting rod twist.
- ★ If connecting rod twist exceeds the service limit, the connecting rod must be replaced.



Connecting Rod Twist

Service Limit: TIR 0.2/100 mm (0.08/3.94 in.)

9-24 CRANKSHAFT/TRANSMISSION

Crankshaft/Connecting Rods

Connecting Rod Big End Side Clearance

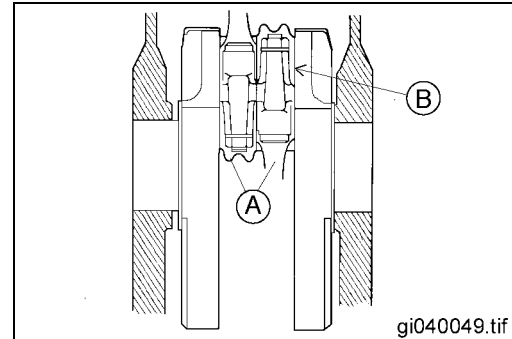
- Measure the side clearance [B] of the connecting rod big end [A].
- Insert a thickness gauge between the big end and either crank web to determine clearance.

Connecting Rod Big End Side Clearance

Standard: 0.16 ~ 0.46 mm (0.0062 ~ 0.0181 in.)

Service Limit: 0.7 mm (0.028 in.)

- ★ If the clearance exceeds the service limit, replace the connecting rod with new one and then check clearance again. If clearance is too large after connecting rod replacement, the crankshaft also must be replaced.



Connecting Rod Big End Bearing Wear

- Remove the big end cap and place a strip of plastigage on the crankpin [A].
- Apply:

Molybdenum Disulfide Oil -

Threads and Seating Surface of Big End Nuts

- Tighten the big end nuts to the specified torque to compress the plastigage and measure the plastigage width [B] to determine the bearing insert/crankpin clearance (see Camshaft/Rocker Case Wear in the Engine Top End chapter).

Torque - Connecting Rod Big End Nuts: 59 N·m (6.0 kgf·m, 44 ft·lb)

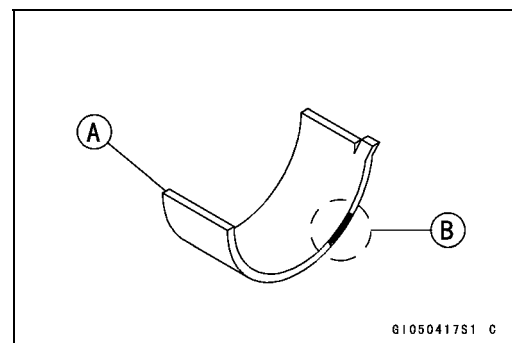
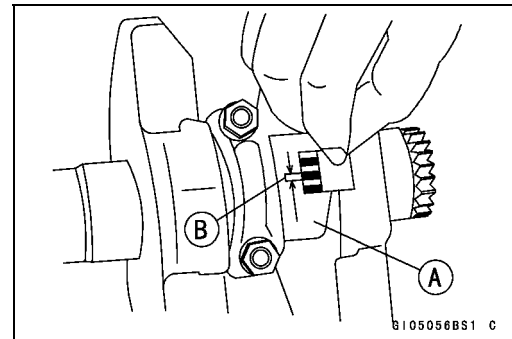
- Do not move the connecting rod and crankshaft during clearance measurement.

Connecting Rod Big End Bearing/Crankpin Clearance

Standard: 0.026 ~ 0.057 mm (0.001024 ~ 0.0022 in.)

Service Limit: 0.10 mm (0.0039 in.)

- ★ If the clearance is within the standard, no bearing insert replacement is required.
- ★ If the clearance is between 0.057 mm (0.0022 in.) and the service limit (0.10 mm, or 0.0039 in.), replace the bearing inserts [A] with inserts painted blue [B]. Check insert/crankpin clearance with plastigage. The clearance may exceed the standard slightly, but it must not be less than the minimum in order to avoid bearing seizure.



Crankshaft/Connecting Rods

★ If the clearance exceeds the service limit, measure the diameter of the crankpin [A].

Crankpin Diameter

Standard: 54.981 ~ 55.000 mm (2.1646 ~ 2.1654 in.)

Service Limit: 54.97 mm (2.1642 in.)

★ If the crankpin has worn past the service limit, replace the crankshaft with a new one.

★ If the measured crankpin diameter is not less than the service limit, but does not coincide with the original diameter marking on the crankshaft, make a new mark on it.

Crankpin Diameter Marks

None: 54.981 ~ 54.991 mm (2.1646 ~ 2.1650 in.)

○: 54.992 ~ 55.000 mm (2.16504 ~ 2.1654 in.)

Crankpin Diameter Mark: “○” mark or no mark [B]

● Apply:

Molybdenum Disulfide Oil -

Threads and Seating Surface of Big End Nuts

● Temporarily, install the big end cap and tighten the big end nuts to the specified torque.

Torque - Connecting Rod Big End Nuts: 59 N·m (6.0 kgf·m, 44 ft·lb)

● Measure the connecting rod big end inside diameter, and mark each connecting rod big end in accordance with the inside diameter.

○ The mark already on the big end should almost coincide with the measurement because of little wear.

Connecting Rod Big End Inside Diameter Marks

None: 58.000 ~ 58.010 mm (2.2835 ~ 2.28386 in.)

○: 58.011 ~ 58.020 mm (2.28390 ~ 2.2843 in.)

Big End Cap [A]

Connecting Rod [B]

Weight Mark, Alphabet [C]

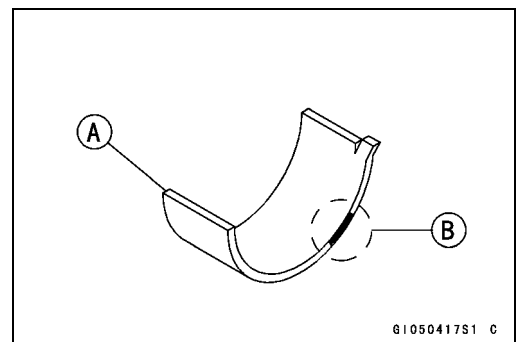
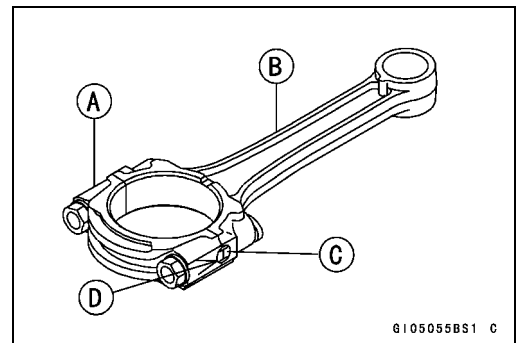
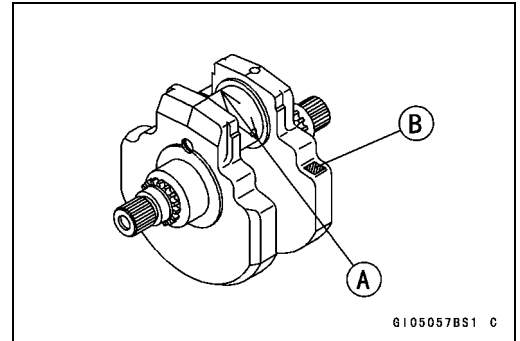
Diameter Mark (around weight mark) [D]: “○” or no mark

● Select the proper bearing insert [A] identified by the size color [B] in accordance with the combination of the connecting rod and crankshaft coding.

Big End Bearing Insert Selection

Con-rod Big End Bore Diameter Marking	Crankpin Diameter Mark	Bearing Insert	
		Size Color	Part Number
None	○	Brown	92028-1476
None	None	Black	92028-1475
○	○		
○	None	Blue	92028-1474

● Install the new inserts in the connecting rod and check insert/crankpin clearance with the plastigage.



9-26 CRANKSHAFT/TRANSMISSION

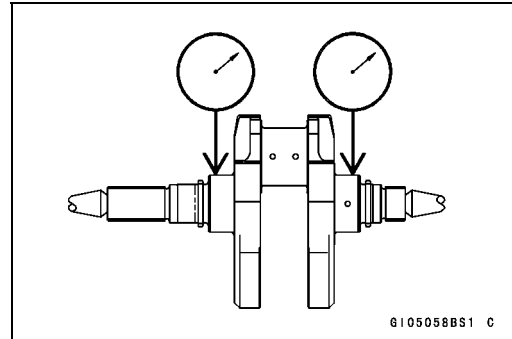
Crankshaft/Connecting Rods

Crankshaft Runout

- Measure the crankshaft runout.
- ★ If the measurement exceeds the service limit, replace the crankshaft.

Crankshaft Runout

Standard:	TIR 0.02 mm (0.0008 in.) or less
Service Limit:	TIR 0.05 mm (0.0020 in.)



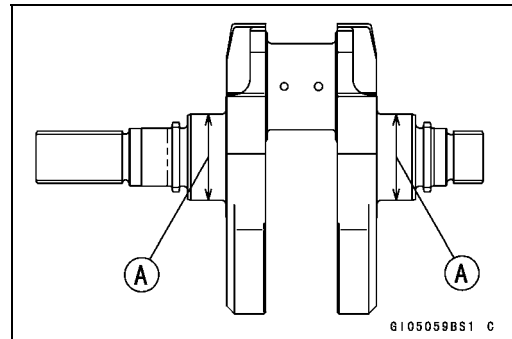
Crankshaft Main Bearing/Journal Wear

- Measure the diameter [A] of the crankshaft main journal.

Crankshaft Main Journal Diameter

Standard:	54.986 ~ 55.000 mm (2.1648 ~ 2.1654 in.)
Service Limit:	54.96 mm (2.1638 in.)

- ★ If any journal has worn past the service limit, replace the crankshaft with a new one.

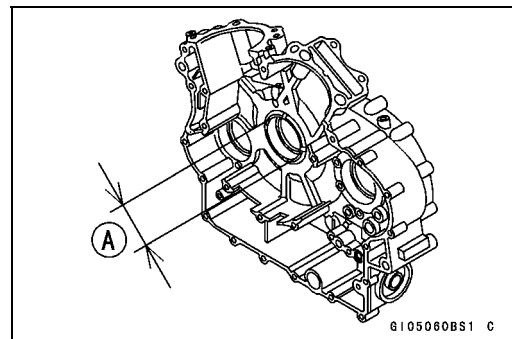


- Measure the main bearing bore diameter [A] in the crankcase halves.

Crankcase Main Bearing Bore Diameter

Standard:	55.025 ~ 55.038 mm (2.1663 ~ 2.1669 in.)
Service Limit:	55.07 mm (2.1681 in.)

- ★ If there are any signs of seizure, damage, or excessive wear, replace the crankcase halves as a set.



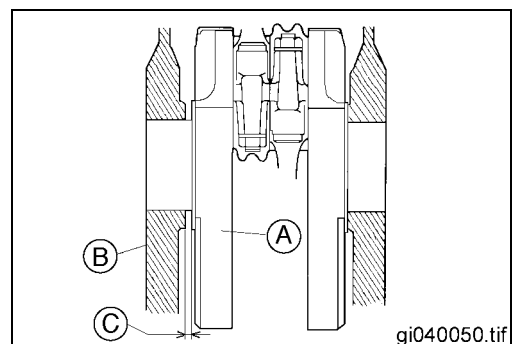
Crankshaft Side Clearance

- Measure the crankshaft side clearance.

Crankshaft Side Clearance

Standard:	0.05 ~ 0.55 mm (0.00197 ~ 0.0217 in.)
Service Limit:	0.75 mm (0.0295 in.)

Crankshaft [A]
Crankcase [B]
Clearance [C]

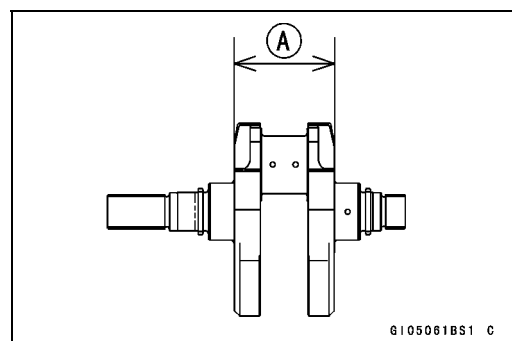


- ★ If the clearance is greater than the service limit, measure the crankshaft web length [A] to see whether the crankshaft or the crankcase is faulty.

Crankshaft Web Length

Standard:	96.85 ~ 96.95 mm (3.8130 ~ 3.8169 in.)
Service Limit:	96.6 mm (3.803 in.)

- ★ If the length measurement is smaller than the service limit, replace the crankshaft. Otherwise, replace the crankcase halves as a set.



CAUTION

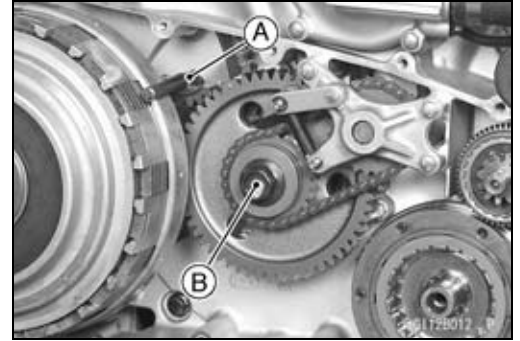
The right and left crankcase halves are machined at the factory in the assembled state, so they must be replaced as a set.

Primary Gear

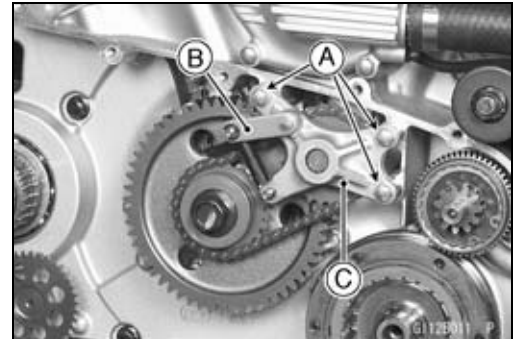
Primary Gear Removal

- Remove:
 - Clutch Cover (see Clutch chapter)
 - Starter Clutch Gear (see Crankcase Disassembly)
- Using the gear holder [A] to loosen the primary gear bolt [B].

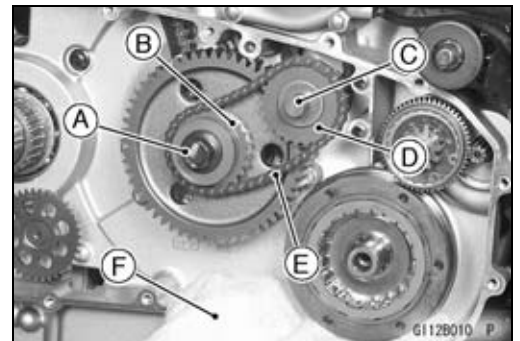
Special Tool - Gear Holder, m2.0: 57001-1557



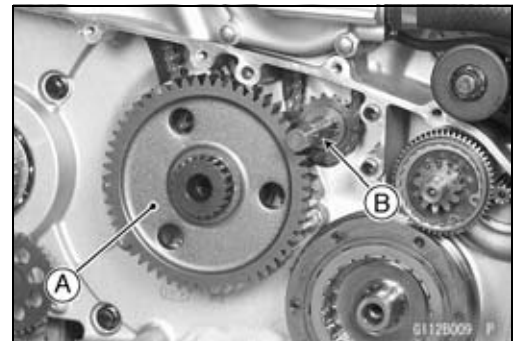
- Remove:
 - Clutch (see Clutch chapter)
 - Bolts [A]
- Remove the water pump chain guide [B] and water pump idle shaft holder [C] from the right crankcase.



- Remove the primary gear bolt [A], water pump drive sprocket [B], idle shaft [C], and idle shaft sprocket [D].
- Water Pump Chain [E]
- Stuff the cloth [F] on the holes of the crankcase so that the pin close not drop into the crankcase bottom.

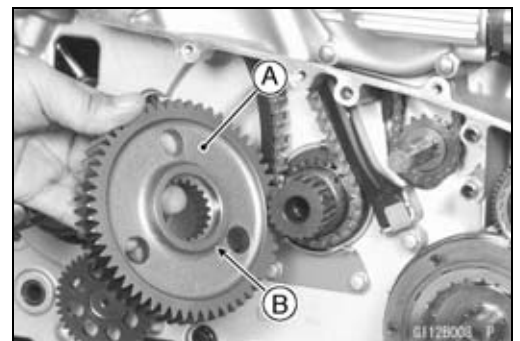


- Pull the primary gear [A] out of the crankshaft, and take the pin [B] out of the idle shaft.



Primary Gear Installation

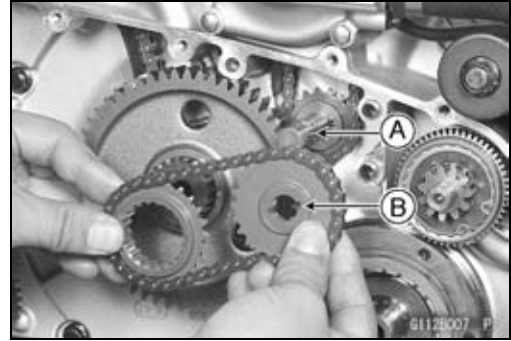
- Fit the primary gear [A] with the boss [B] facing toward the engine inside.



9-28 CRANKSHAFT/TRANSMISSION

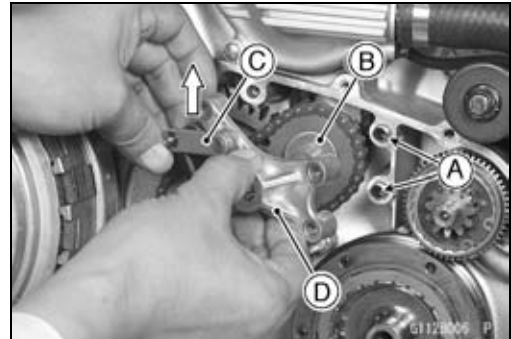
Primary Gear

- Fit the pin [A] into the slot [B] of the water pump drive sprocket boss and install the sprockets.



- Install:
 - Dowel Pins [A]
 - Washer [B]
- Pulling the water pump chain guide [C] and install the idle shaft holder [D].
- Install the clutch (see Clutch chapter).
- Tighten:

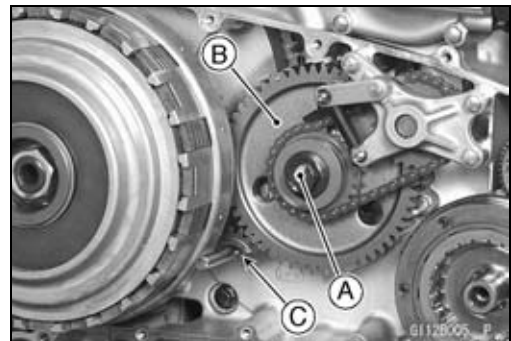
Torque - Idle Shaft Holder Bolts: 8.3 N·m (0.85 kgf·m, 73 in·lb)



- Apply molybdenum disulfide oil to the threads and seating surface, and tighten the primary gear bolt [A], while holding the primary gear [B] with the gear holder [C].

Special Tool - Gear Holder, m2.0: 57001-1557

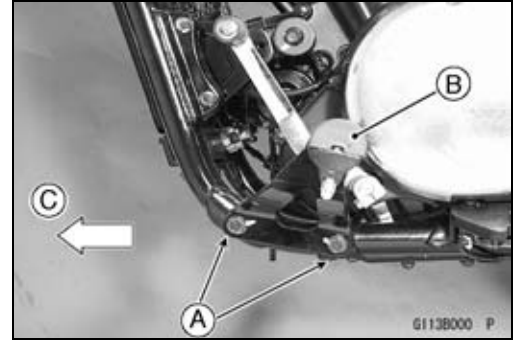
Torque - Primary Gear Bolt: 147 N·m (15 kgf·m, 108 ft·lb)



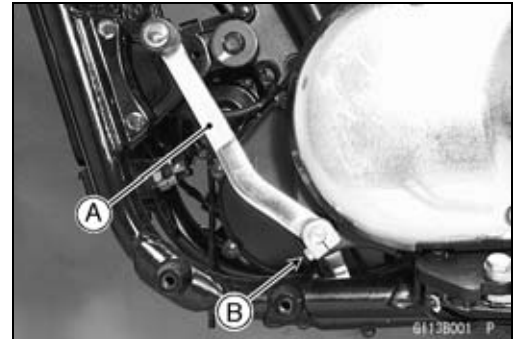
Transmission

Shift Pedal Removal

- Unscrew the footpeg bracket bolts [A] and take off the left front footpeg [B].
Front [C]



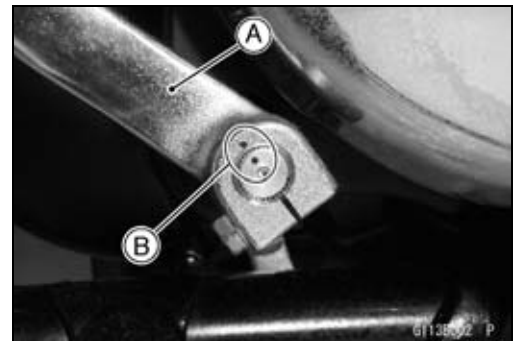
- Unscrew the clamp bolt [B] and pull out the shift pedal [A].



Shift Pedal Installation

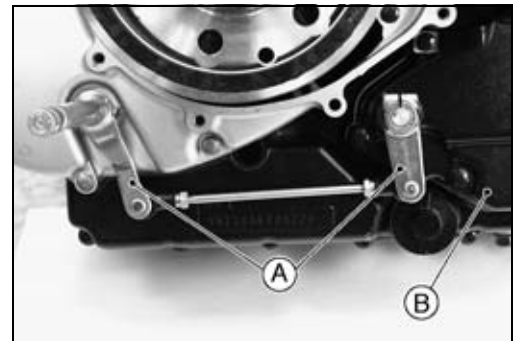
- Install the shift pedal [A] so that the punched mark on the shaft is aligned [B] with the punched mark on the pedal.
- Tighten the clamp bolt (the head is numbered 10).

Torque - Shift Pedal Clamp Bolt: 30 N·m (3.1 kgf·m, 22 ft·lb)

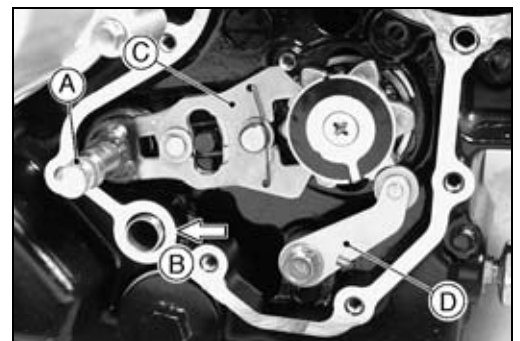


External Shift Mechanism Removal

- Remove:
 - Shift Pedal (see this chapter)
 - Alternator Outer Cover (see Electrical System chapter)
 - Engine (see Engine Removal/Installation chapter)
 - Front and Rear Shift Levers [A]
 - Front Gear Case [B] (see Final Drive chapter)



- Remove the shift shaft [A] while pushing [B] the shift mechanism arm [C] towards the shift shaft.
- Unscrew the bolt and remove the gear set lever [D] and its spring.



9-30 CRANKSHAFT/TRANSMISSION

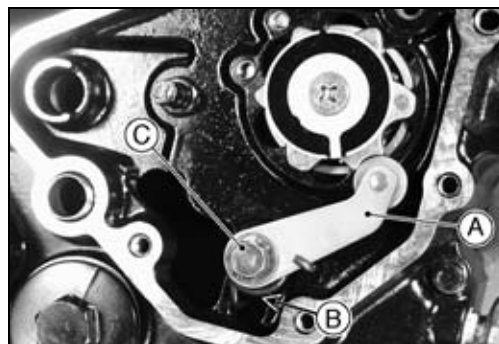
Transmission

External Shift Mechanism Installation

- Install the gear set lever [A] and the spring [B] in the crankcase and tighten the bolt [C].

Torque - Gear Set Lever Bolt: 11 N·m (1.1 kgf·m, 97 in·lb)

- Install the shift mechanism arm assy. Be sure to install the washer onto the shift shaft.
- Install the front gear case (see Final Drive chapter).
- Install the front shift lever and the rear shift lever.



- Install the rear shift lever [A] on the shift shaft so that the punched mark on the shaft is aligned [B] with the slot of the rear shift lever.

- Loosen the locknuts [C] and turn the shift rod [D] so that the outside length [E] of the locknuts is **112 ±1 mm (4.41 ±0.04 in.)**.

Front [F]

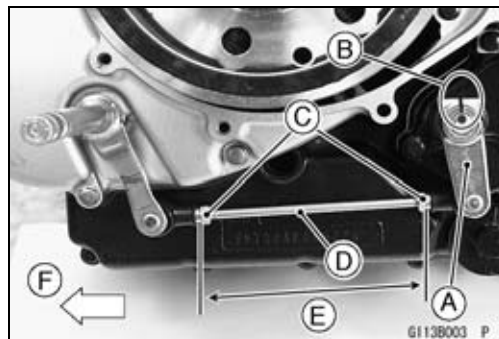
- The rear locknut has left-hand threads.

- Tighten:

Torque - Shift Rod Locknuts: 9.8 N·m (1.0 kgf·m, 87 in·lb)

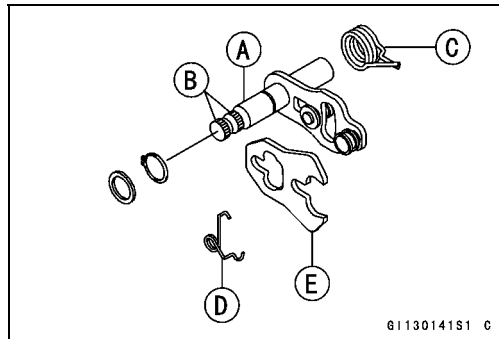
Rear Shift Lever Clamp Bolt: 12 N·m (1.2 kgf·m, 106 in·lb)

- Install the clutch hose grommet to the clamp on front gear case.
- Install the engine (see Engine Removal/Installation)



External Shift Mechanism Inspection

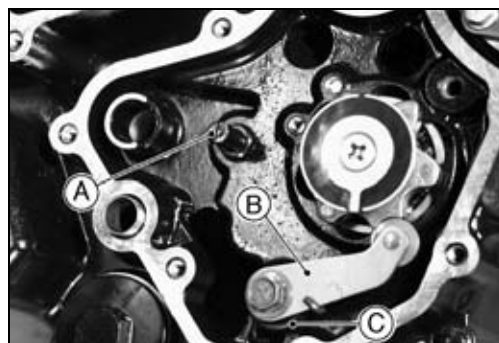
- Examine the shift shaft [A] for any damage.
- ★ If the shaft is bent, straighten or replace it.
- ★ If the serrations [B] are damaged, replace the shaft.
- ★ If the springs [C] [D] are damaged in any way, replace them.
- ★ If the shift mechanism arm [E] is damaged in any way, replace the arm.



- Check the return spring pin [A] is not loose.
- ★ If it is loose, unscrew it, apply a non-permanent locking agent to the threads, and tighten it.

Torque - Shift Shaft Return Spring Pin: 39 N·m (4.0 kgf·m, 29 ft·lb)

- Check the gear set lever [B], and its spring [C] for breaks or distortion.
- ★ If the lever or spring is damaged in any way, replace it.
- Visually inspect the shift drum pins, pin holder, and pin plate.
- ★ If they are badly worn or if they show any damage, replace them.



Transmission

Transmission Removal

- Remove the engine (see Engine Removal/Installation chapter).
- Split the crankcase (see this chapter).
- Remove the crankshaft.
- First, remove the oil pipe [A] (see Engine Lubrication System chapter), and then remove the shift drum bearing holder bolts and holder [B].
- Pull out the shift rod [C] and take the shift fork [D] out of the output shaft 4th gear.

Output Shaft [E]
 Drive Shaft [F]
 Shift Drum [G]

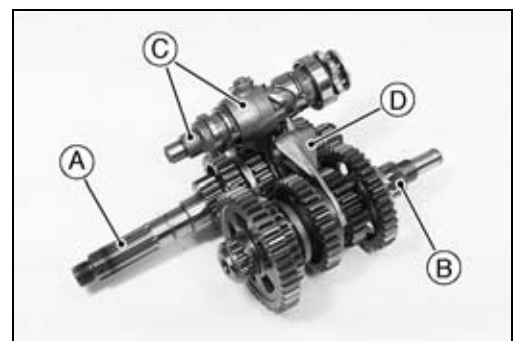
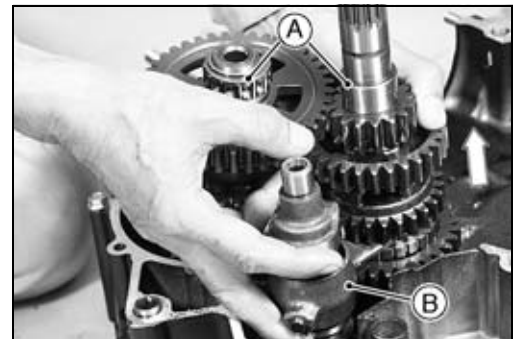
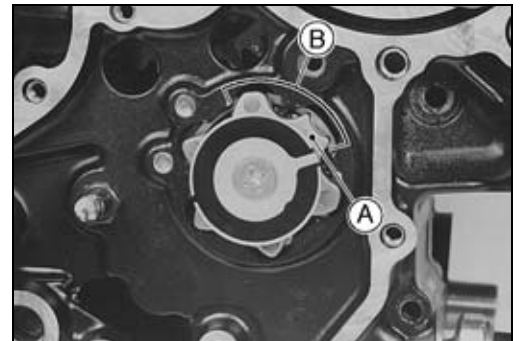
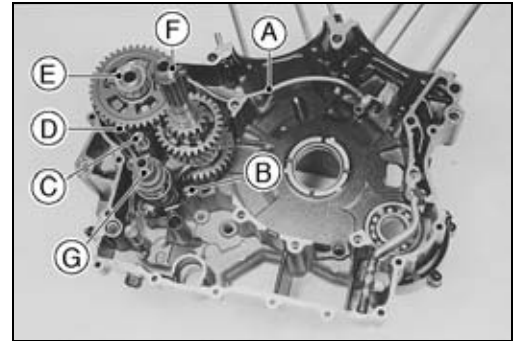
- Align the shift drum cam [A] with the cutoff [B] of the left crankcase by turning the shift drum.

- Take out the transmission shafts [A] and shift drum [B] as a set.
- Separate the drive and output shafts, shift drum, and shift forks.

Transmission Installation

- Install the drive and output shaft assy, shift drum, and output shaft 5th gear shift fork as a set.

Drive Shaft Assy [A]
 Output Shaft Assy [B]
 Shift Fork (drive shaft, 3rd gear) and Shift Drum Assy [C]
 Shift Fork (No. 270, output shaft, 5th gear) [D]



9-32 CRANKSHAFT/TRANSMISSION

Transmission

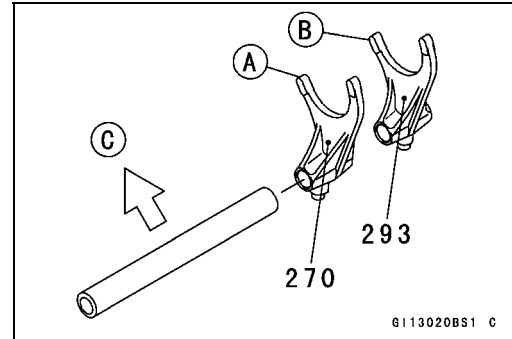
○ Each output shaft shift fork has an identification number. Do not confuse them.

- Install the shift forks with each number faced left as shown.

Shift Fork (No. 270, 5th gear) [A]

Shift Fork (No. 293, 4th gear) [B]

Front [C].



- Apply a non-permanent locking agent to the shift drum bearing holder bolts.

- Tighten:

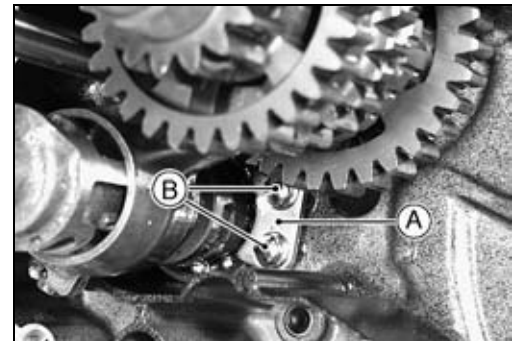
Torque - Shift Drum Bearing Holder Bolts: 11 N·m (1.1 kgf·m, 97 in·lb)

- Install:

Shift Drum Bearing Holder [A]

Bolts [B]

- Apply engine oil to the shift rod, the shift forks, and gears.



- Install:

Shift Fork (No. 293 output shaft, 4th gear) [A]

Shift Rod [B]



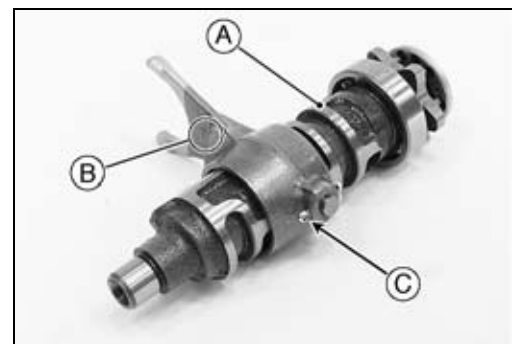
Shift Drum Disassembly/Assembly

- Remove the shift drum assy [A] (see this chapter).

- Remove:

Drive Shaft Shift Fork (No. 292, drive shaft) [B]

Cotter Pin [C]



- Disassemble the shift drum assy as shown.

Pin Plate [A]

Pin [B]

Cam [C]

Bearing [D]

Shift Drum [E]

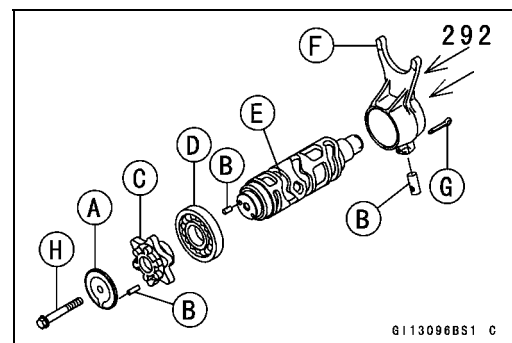
Drive Shaft Shift Fork (No. 292) [F]

Cotter Pin [G]

- Be sure to face the number to the right and insert the cotter pin of the drive shaft shift fork from the right as shown.

- Apply a non-permanent locking agent to the threads of the shift drum cam screw [H], and tighten it.

Torque - Shift Drum Cam Screw: 15 N·m (1.5 kgf·m, 11 ft·lb)



Transmission

Transmission Disassembly

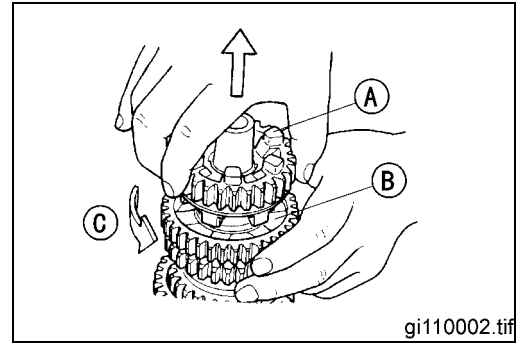
● Remove the transmission shafts (see this chapter).
 Using the circlip pliers (special tool), remove the circlips, and disassemble the transmission shaft.

Special Tool - Outside Circlip Pliers: 57001-144

The 4th gear [A] on the output shaft has three steel balls for the positive neutral finder mechanism.

Remove the 4th gear as follows.

- Set the output shaft in a vertical position holding the 3rd gear [B].
- Spin the 4th gear quickly [C] and pull it off upward.



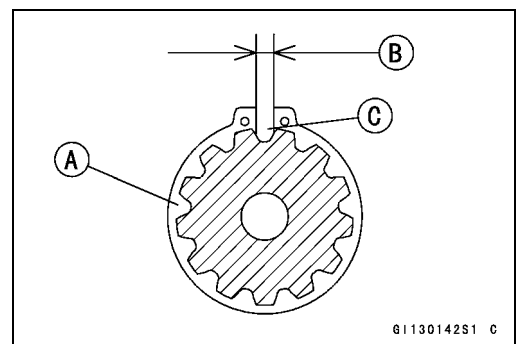
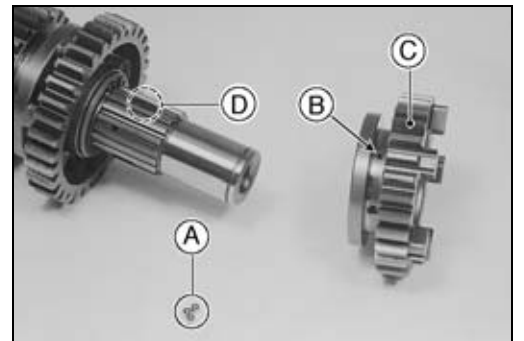
Transmission Assembly

- Refer to the transmission assembly illustration on ahead.
- Align each gear oil hole with the drive shaft oil hole when installing the 3rd gear [9] and the 5th gear [6].
- Align each oil hole with the output shaft oil hole, when installing the 3rd gear [17], bushing [18], and the 5th gear [16].

CAUTION

Do not apply grease to the steel balls to hold them in place. This will cause the positive neutral finder mechanism to malfunction.

- Fit the three steel balls [A] into the holes [B] of the output 4th gear [C], and then install the gear on the output shaft so that the steel balls align with the recesses [D] in the shaft.
- After assembling the 4th gear with steel balls in place on the output shaft, check the ball-locking effect that the 4th gear does not come out of the output shaft when moving it up and down by hand.
- Replace any circlip [A] that were removed with new ones.
- Install the circlips so that the opening [B] is aligned with a spline groove [C].

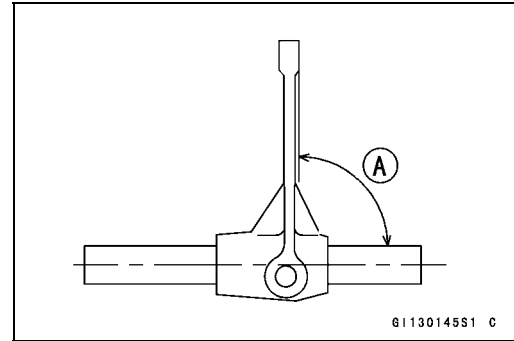


9-34 CRANKSHAFT/TRANSMISSION

Transmission

Shift Fork Bending

- Visually inspect the shift forks, and replace any fork that is bent. A bent fork could cause difficulty in shifting, or allow the transmission to jump out of gear under load.
90° [A]



Shift Fork/Gear Groove Wear

- Measure the thickness of the shift fork ears [A], and measure the width [B] of the gear grooves.
- ★ If the thickness of a shift fork ear is less than the service limit, the shift fork must be replaced.

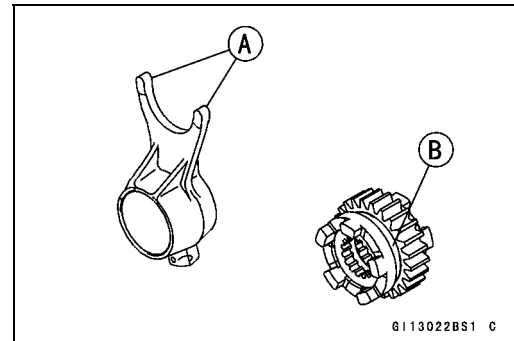
Shift Fork Ear Thickness

- Standard: 5.9 ~ 6.0 mm (0.232 ~ 0.236 in.)
- Service Limit: 5.8 mm (0.228 in.)

- ★ If the gear groove is worn over the service limit, the gear must be replaced.

Gear Groove Width

- Standard: 6.05 ~ 6.15 mm (0.238 ~ 0.242 in.)
- Service Limit: 6.3 mm (0.248 in.)



Shift Fork Guide Pin/Drum Groove Wear

- Measure the diameter of each shift fork guide pin [B], and measure the width [A] of each shift drum groove.
- ★ If the guide pin on any shift fork is less than the service limit, the fork must be replaced.

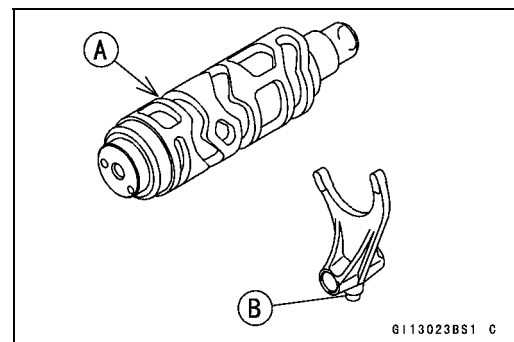
Shift Fork Guide Pin Diameter

- Standard: 7.9 ~ 8.0 mm (0.311 ~ 0.315 in.)
- Service Limit: 7.8 mm (0.307 in.)

- ★ If any shift drum groove is worn over the service limit, the drum must be replaced.

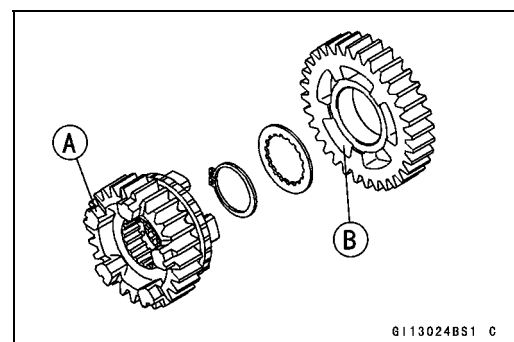
Shift Drum Groove Width

- Standard: 8.05 ~ 8.20 mm (0.317 ~ 0.323 in.)
- Service Limit: 8.3 mm (0.327 in.)

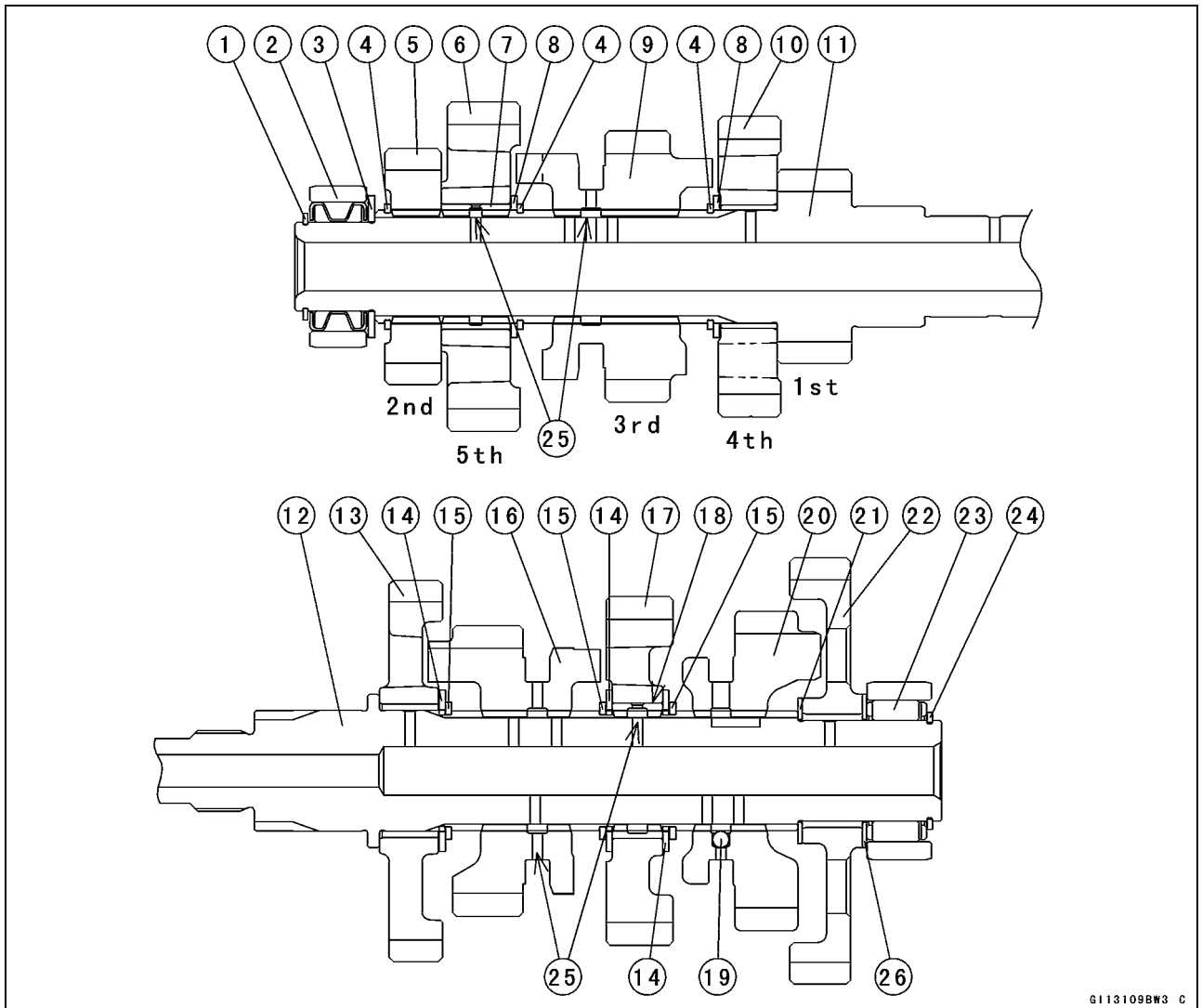


Gear Dog and Gear Dog Hole Damage

- Visually inspect the gear dogs [A] and gear dog holes [B].
- ★ Replace any damaged gears or gears with excessively worn dogs or dog holes.



Transmission



- | | |
|---|--|
| 1. Circlip ($\phi 20 \times 25.5 \times t 1.2$) | 14. Three Splined Washers ($\phi 30.3 \times 40 \times t 1.5$) |
| 2. Needle Bearing | 15. Three Circlips ($\phi 29$) |
| 3. Thrust Washer ($\phi 22.3 \times 35 \times t 1.6$) | 16. 5th (top) Gear |
| 4. Three Circlips ($\phi 28$) | 17. 3rd Gear |
| 5. 2nd Gear | 18. Bushing (3rd gear) |
| 6. 5th (top) Gear | 19. Steel Balls |
| 7. Bushing (5th gear) | 20. 4th Gear |
| 8. Two Splined Washers ($\phi 28.5 \times 34 \times t 1.5$) | 21. Washer ($\phi 25.5 \times 36 \times t 1.0$) |
| 9. 3rd Gear | 22. 1st Gear |
| 10. 4th Gear | 23. Needle Bearing |
| 11. 1st Gear (drive shaft) | 24. Circlip ($\phi 25$) |
| 12. Output Shaft | 25. Align gear or bushing oil holes with the shaft holes. |
| 13. 2nd Gear | 26. Washer ($\phi 25.5 \times 38 \times t 1.0$) |

9-36 CRANKSHAFT/TRANSMISSION

Ball Bearing, Needle Bearing, and Oil Seal

Ball Bearing and Outer Race Replacement

CAUTION

Do not remove the ball bearing or needle bearing outer race unless it is necessary. Removal may damage them.

- Using a press or puller, remove the ball bearing and/or needle bearing outer race.

NOTE

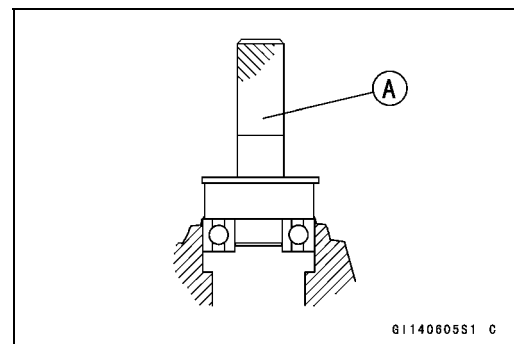
○ In the absence of the above mentioned tools, satisfactory results may be obtained by heating the case to approximately 93°C (200°F) max., and tapping the bearing in or out.

CAUTION

Do not heat the case with a blowtorch. This will warp the case. Soak the case in oil and heat the oil.

- Using a press and the bearing driver set [A], install the new bearing or outer race until it stops at the bottom of its housing.

Special Tool - Bearing Driver Set: 57001-1129

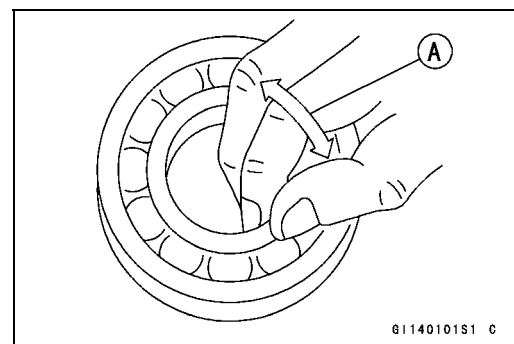


Ball and Needle Bearing Wear

CAUTION

Do not remove the ball bearings for inspection. Removal may damage them.

- Check the ball bearings.
 - Since the ball bearings are made to extremely close tolerances, the wear must be judged by feel rather than measurement. Clean each bearing in a high-flash point solvent, dry it (do not spin the bearing while it is dry), and oil it with engine oil.
 - Spin [A] the bearing by hand to check its condition.
 - ★ If the bearing is noisy, does not spin smoothly, or has any rough spots, replace it.
- Check the needle bearings.
 - The rollers in a needle bearing normally wear very little, and wear is difficult to measure. Instead of measuring, inspect the bearing for abrasion, color change, or other damage.
 - ★ If there is any doubt as to the condition of a needle bearing, replace it.



Ball Bearing, Needle Bearing, and Oil Seal

Oil Seal Inspection

- Inspect the oil seal.
- ★ Replace it if the lips are misshapen, discolored (indicating that the rubber has deteriorated), hardened or otherwise damaged.

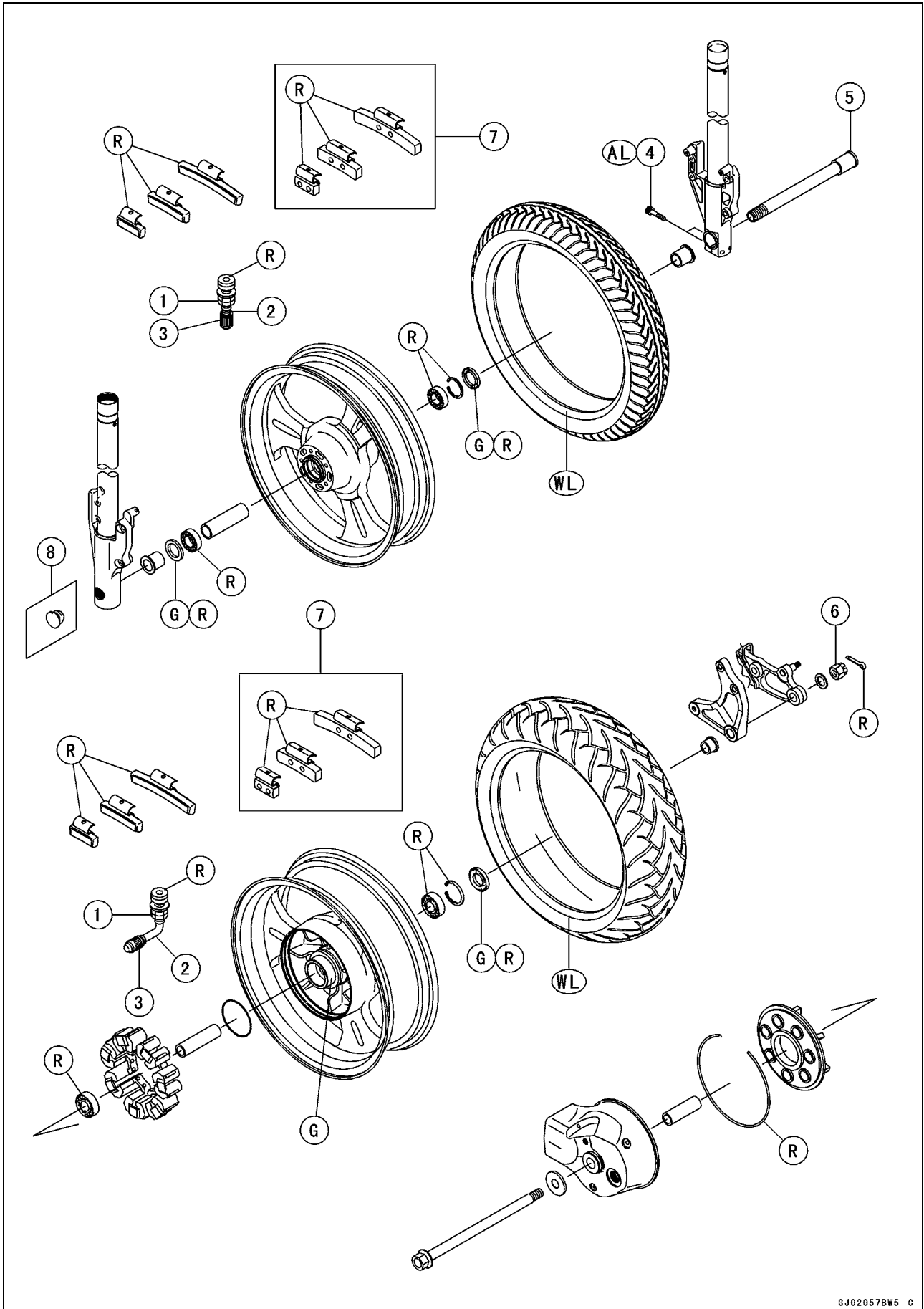
Wheels/Tires

Table of Contents

Exploded View	10-2
Specifications	10-4
Special Tools	10-5
Wheels (Rims)	10-6
Front Wheel Removal	10-6
Front Wheel Installation	10-7
Rear Wheel Removal	10-8
Rear Wheel Installation	10-9
Wheel Coupling Removal	10-10
Wheel Coupling Installation	10-10
Wheel Inspection	10-11
Axle Inspection	10-11
Wheel Balance	10-11
Balance Inspection	10-12
Balance Adjustment	10-12
Balance Weight Removal	10-13
Balance Weight Installation	10-13
Tires	10-16
Air Pressure Inspection/Adjustment	10-16
Tire Inspection	10-16
Tire Removal	10-16
Tire Installation	10-16
Tire Repair	10-19
Hub Bearings (Wheel Bearings)	10-20
Hub Bearings Removal	10-20
Hub Bearings Installation	10-20
Hub Bearings Inspection	10-21
Hub Bearings Lubrication	10-21

10-2 WHEELS/TIRES

Exploded View



Exploded View

No.	Fastener	Torque			Remarks
		N·m	kgf·m	ft·lb	
1	Tire Air Valve Nuts	1.5	0.15	13 in·lb	
2	Air Valve Cores	0.3	0.03	2.6 in·lb	
3	Tire Air Valve Caps	0.15	0.015	1.3 in·lb	
4	Front Axle Clamp Bolts	29	3.0	21	AL
5	Front Axle	108	11	79.6	
6	Rear Axle Nut	108	11	79.6	

7. VN1600-B1

8: European Model

AL: Tighten the two clamp bolts alternately two times to ensure even tightening torque.

G: Apply grease.

R: Replacement Parts

WL: Apply soap and water solution or rubber lubricant.

10-4 WHEELS/TIRES

Specifications

Item	Standard	Service Limit
Wheels (Rims)		
Rim Size:		
Front:	17 × 3.50	— — —
Rear	17 × 5.00	— — —
Rim runout (with tire installed):		
Axial	TIR 0.5 mm (0.02 in.) or less	TIR 1.0 mm (0.04 in.)
Radial	TIR 0.8 mm (0.03 in.) or less	TIR 1.0 mm (0.04 in.)
Axle runout/100 mm (3.94 in.)	TIR 0.05 mm (0.002 in.) or less	TIR 0.2 mm (0.008 in.)
Wheel Balance	10 g (0.35 oz.) or less	— — —
Balance Weights	10 g (0.35 oz.), 20 g (0.71 oz.), 30 g (1.1 oz.)	
Tires		
Air Pressure (when cold):		
Front	Up to 184 kg (405 lb) load: 250 kPa (2.50 kg/cm ² , 36 psi)	— — —
Rear	Up to 184 kg (405 lb) load: 250 kPa (2.50 kg/cm ² , 36 psi)	— — —
Tread depth:		
Front	DUNLOP: 4.4 mm (0.17 in.)	1 mm (0.04 in.) (DE, AT, CH) 1.6 mm (0.063 in.)
Rear	DUNLOP: 6.9 mm (0.27 in.)	Up to 130 km/h (80 mph): 2 mm (0.08 in.) Over 130 km/h (80 mph): 3 mm (0.1 in.)
Standard Tires:	Make, Type	Size
Front	DUNLOP D220F ST G	130/70R17 M/C 62H
Rear	DUNLOP D220 ST G	170/60R17 M/C 72H

WARNING

Use the same manufacture's tires on both front and rear wheels.

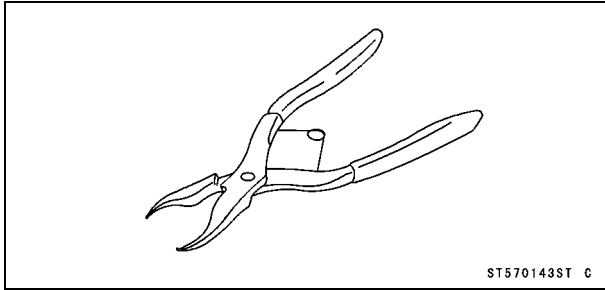
AT: Republic of Austria

CH: Swiss Confederation

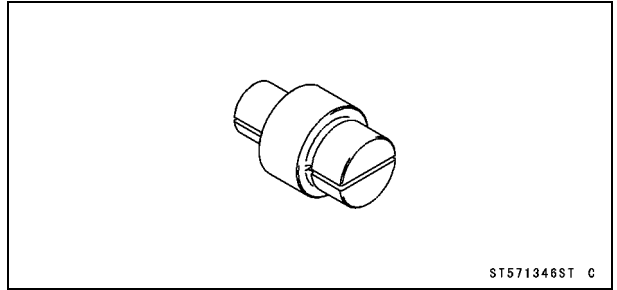
DE: Federal Republic of Germany

Special Tools

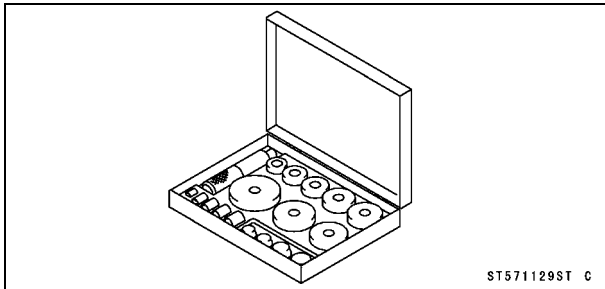
Inside Circlip Pliers:
57001-143



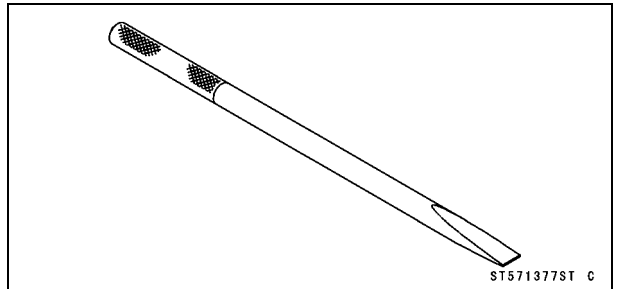
Bearing Remover Head, $\phi 25 \times \phi 28$:
57001-1346



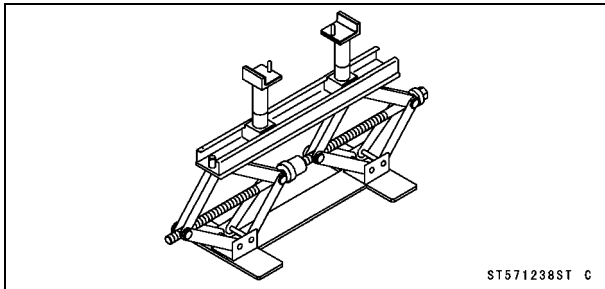
Bearing Driver Set:
57001-1129



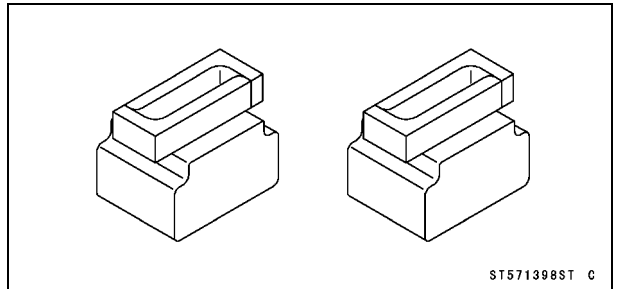
Bearing Remover Shaft, $\phi 13$:
57001-1377



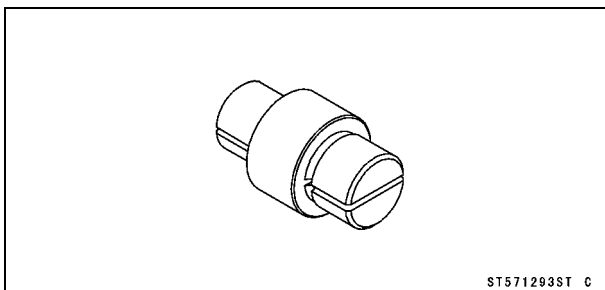
Jack:
57001-1238



Attachment Jack:
57001-1398



Bearing Remover Head, $\phi 20 \times \phi 22$:
57001-1293

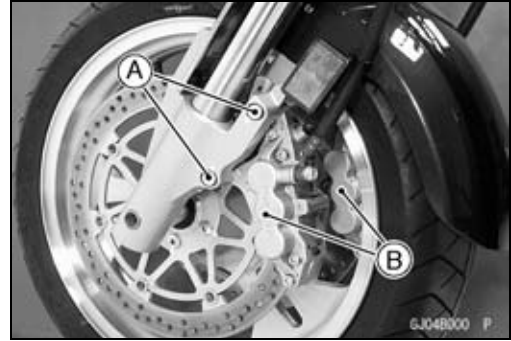


10-6 WHEELS/TIRES

Wheels (Rims)

Front Wheel Removal

- Unscrew the front brake caliper mounting bolts [A] and remove the brake calipers [B] with the hose installed.



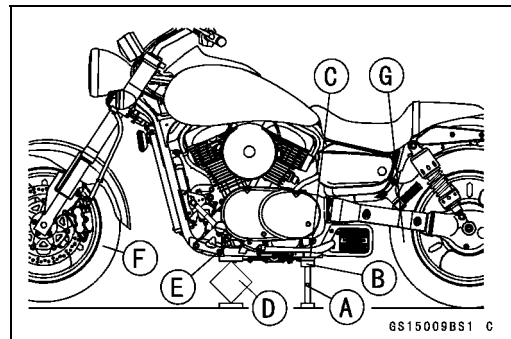
- For the European Model, remove the cap.
- Loosen:
 - Front Axle Clamp Bolts [A]
 - Front Axle [B]



- Using the jack [A] and the attachment jack [B] under the frame pipe ribs [C], and a commercially available jack [D] under the engine [E], lift the front wheel [F] OFF the ground until the rear wheel [G] touches the ground.

Special Tools - Jack: 57001-1238

Attachment Jack: 57001-1398



CAUTION

Be sure to put the rear wheel ON the ground when removing the front wheel, or the motorcycle may fall over. The motorcycle could be damaged.

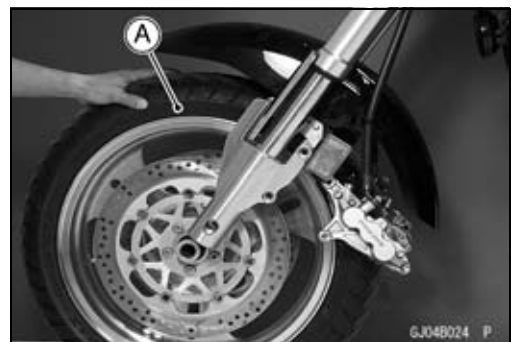
⚠ WARNING

Be sure to put the rear wheel ON the ground when removing the front wheel, or the motorcycle may fall over. It could cause an accident and injury.

- Unscrew the axle to the right and drop the front wheel [A] out of the fork.

CAUTION

Do not lay the wheel directly on the ground with the disc facing down. This can damage or warp the disc. Place blocks under the wheel so that the disc does not touch the ground.



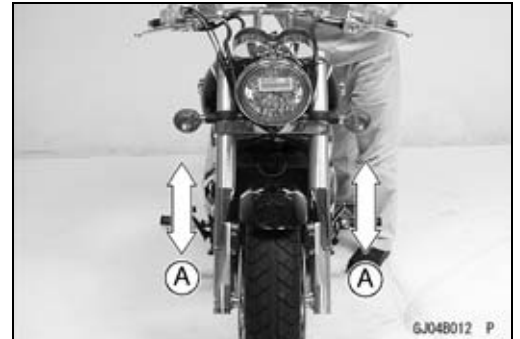
Wheels (Rims)

Front Wheel Installation

- Apply grease to the seal lips.
- Fit the collars [A] on the both side of the hub.
- The collars are identical.



- Insert the axle from the right side of the wheel.
- Tighten the axle.
- Torque - Front Axle: 108 N·m (11 kgf·m, 79.6 ft·lb)**
- Before tightening the clamp bolts on the right fork leg, pump the forks up and down [A] 4 or 5 times to allow the right fork leg to find a neutral position on the front axle.



NOTE

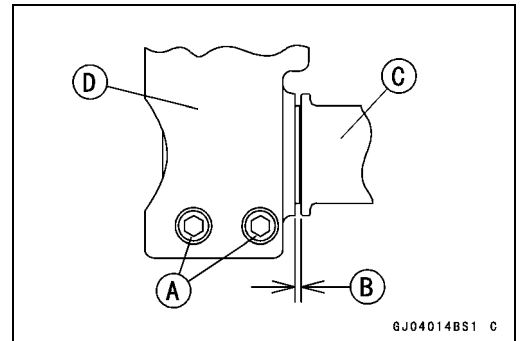
○ Do not apply the front brake during this process to stop the motorcycle from rolling forward. Put a block in front of the wheel to stop it from moving.

- Tighten the axle clamp bolts [A] to the specified torque.
- Torque - Front Axle Clamp Bolts: 29 N·m (3.0 kgf·m, 21 ft·lb)**

NOTE

○ Tighten the two clamp bolts alternately two times to ensure even tightening torque.

- Check the clearance [B] between the front axle collar [C] and the right fork leg [D]. The clearance between the front axle collar and the right fork leg should be between 1.05 ~ 3.19 mm (0.041 ~ 0.124 in.).
- ★ If the clearance is out of this range, remove the front wheel again and check the axle, wheel hub and other related parts for damage.
- Tighten the caliper mounting bolts.



Torque - Front Caliper Mounting Bolts: 34 N·m (3.5 kgf·m, 25 ft·lb)

- Check the front brake effectiveness.

▲ WARNING

Do not attempt to ride the motorcycle until a full brake lever is obtained by pumping the brake lever until the pads are against the disc. The brakes will not function on the first application of the lever if this is not done.

10-8 WHEELS/TIRES

Wheels (Rims)

Rear Wheel Removal

- Using the jack [A] and attachment jack [B] under the frame pipe ribs [C], lift the rear wheel [D] off the ground until the front wheel [E] touches the ground.

CAUTION

Be sure to put the front wheel ON the ground when removing the rear wheel, or the motorcycle may fall over. The motorcycle could be damaged.

⚠ WARNING

Be sure to put the front wheel ON the ground when removing the rear wheel, or the motorcycle may fall over. It could cause an accident and injury.

Special Tools - Jack: 57001-1238

Attachment Jack: 57001-1398

- Squeeze the brake lever slowly and hold it with a band [A]

CAUTION

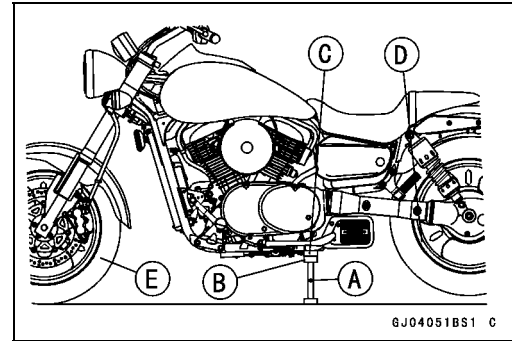
Be sure to hold the front brake when removing the rear wheel, or the motorcycle may fall over. The motorcycle could be damaged.

⚠ WARNING

Be sure to hold the front brake when removing the rear wheel, or the motorcycle may fall over. It could cause an accident and injury.

- Remove:
Caliper Mounting Bolts [A]
Caliper [B]

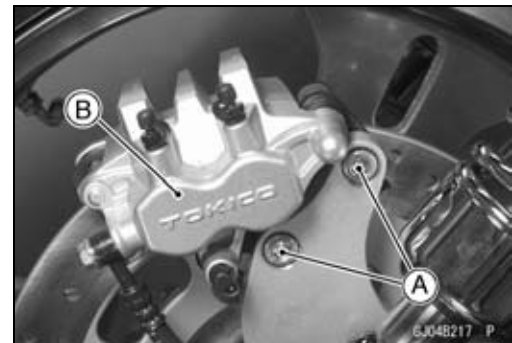
- Remove:
Muffler Stay Bolt (see Engine Top End chapter)
Caliper Holder Bolt [A]
Axle Nut Cotter Pin [B]
Axle Nut [C]
- Pull the muffler out side and straighten the cotter pin.



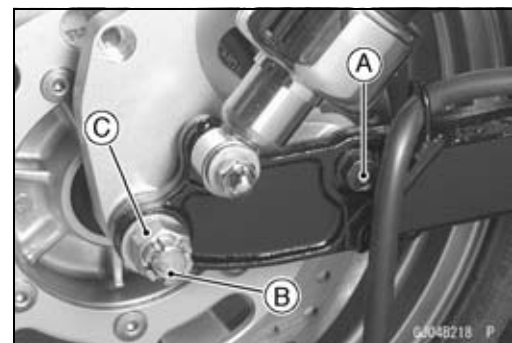
GJ04051BS1 C



GJ048003 P



GJ048217 P



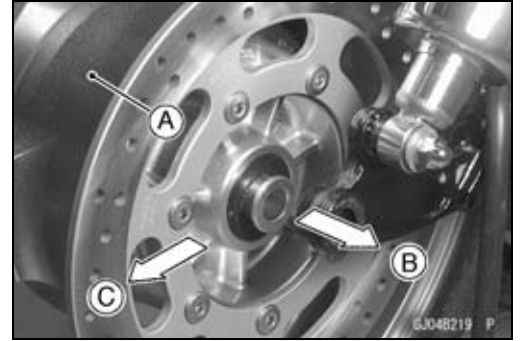
GJ048218 P

Wheels (Rims)

- Pull out the axle, and slide the rear wheel [A] toward the right [B] to disengage the wheel from the final gear case.
- Move the rear wheel back [C] and remove it.

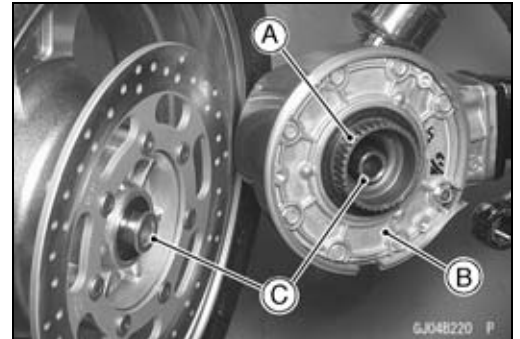
CAUTION

Do not lay the wheel directly on the ground with the disc facing down. This can damage or warp the disc. Place blocks under the wheel so that the disc does not touch the ground.



Rear Wheel Installation

- Apply grease to the grease seal of the wheel.
- Apply grease to the ring gear hub splines [A] of the final gear case [B].
- Insert the collars [C] on both sides of the hub.



- Insert the axle [A] from the left side of the rear wheel [B].
- Slide the rear wheel to the left side, and engage the ring gear hub splines with the wheel coupling hub splines.
- Pull the axle little and install the caliper holder.
- Tighten:

Torque - Rear Axle Nut: 108 N·m (11 kgf·m, 79.6 ft·lb)
Rear Caliper Holder Bolt: 64 N·m (6.5 kgf·m, 47 ft·lb)
Rear Caliper Mounting Bolts: 34 N·m (3.5 kgf·m, 25 ft·lb)



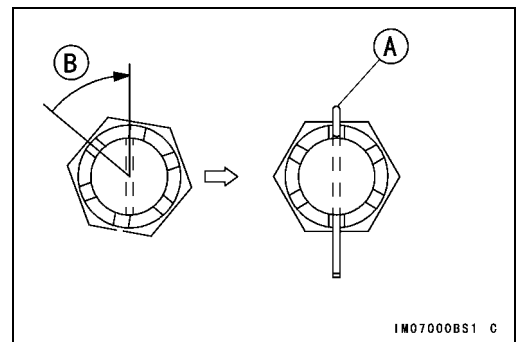
⚠ WARNING

If the axle nut is not securely tightened, an unsafe riding condition may result.

- Insert a new cotter pin [A].

NOTE

- When inserting the cotter pin, if the slots in the nut do not align with the cotter pin hole in the axle, tighten the nut clockwise [B] up to next alignment.
- It should be within 30 degree.
- Loosen once and tighten again when the slot goes past the nearest hole.

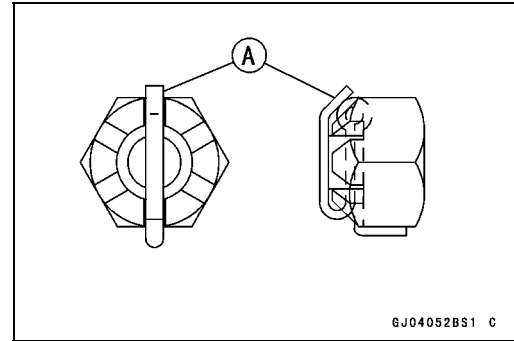


1M07000BS1 C

10-10 WHEELS/TIRES

Wheels (Rims)

- Bend the cotter pin [A] over the nut as shown.



- Visually inspect the tire for stuck any grease [A].
- ★ If any grease have stuck to the surface of the tire, wash the tire clean with soap and water solution.



- Check the rear brake effectiveness.

⚠ WARNING

Do not attempt to ride the motorcycle until a full brake pedal is obtained by pumping the brake pedal until the pads are against the disc. The brake will not function on the first application of the pedal if this is not done.

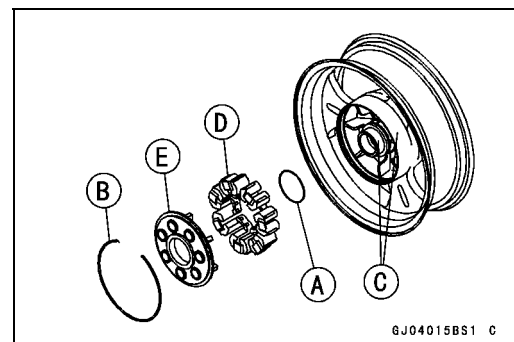
Wheel Coupling Removal

- Remove the rear wheel (see Rear Wheel Removal).
- Remove the coupling retaining ring [A].
- Remove the wheel coupling [B] with a bearing puller if necessary.



Wheel Coupling Installation

- Replace the O-ring [A] and the retaining ring [B].
- Grease the following:
 - O-ring
 - Bosses [C] of Rear Drum Hub
- Install:
 - Rubber Damper [D]
 - Coupling [E]
 - Retaining Ring



Wheels (Rims)

Wheel Inspection

- Raise the front or rear wheel off the ground.

Special Tools - Jack: 57001-1238

Attachment Jack: 57001-1398

- Spin [A] the wheel lightly, and check for roughness or binding.
- ★ If roughness or binding is found, replace the hub bearings.
- Inspect the front and rear axles for damage (see Axle Inspection).
- ★ If the axle is damaged or bent, replace it.
- Inspect the wheel for small cracks, dents, bending, or warp.
- ★ If there is any damage to the wheel, replace the wheel.
- Measure the rim runout, radial [A] and axial [B], with a dial gauge.
- ★ If the rim runout exceeds the service limit, check the hub bearings. Replace them if they are damaged.
- ★ If the problem is not due to the bearings, replace the wheel.

Rim Runout (with tire installed)

Standard:

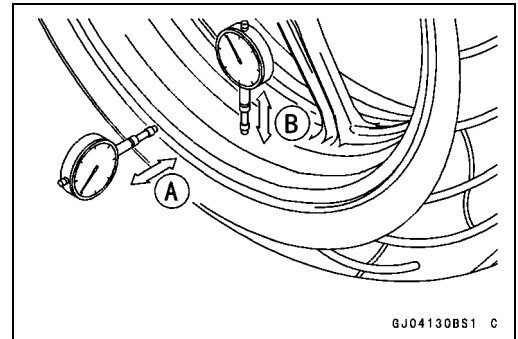
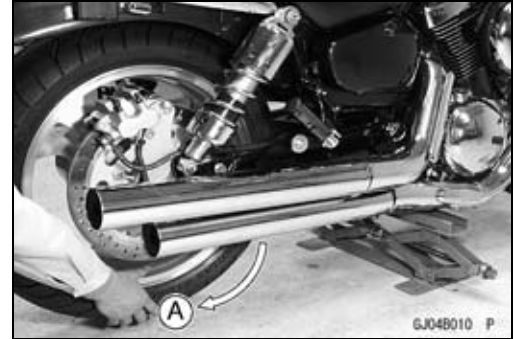
Axial **TIR 0.5 mm (0.02 mm) or less**

Radial **TIR 0.8 mm (0.03 mm) or less**

Service Limit:

Axial **TIR 1.0 mm (0.04 in.)**

Radial **TIR 1.0 mm (0.04 in.)**



⚠ WARNING

Never attempt to repair a damaged wheel. If there is any damage besides wheel bearings, the wheel must be replaced to insure safe operational condition.

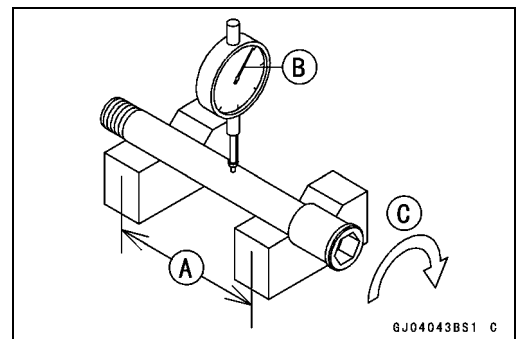
Axle Inspection

- Visually inspect the front and rear axles for damage.
- ★ If the axle is damaged or bent, replace it.
- Place the axle in V blocks that are 100 mm (3.94 in.) [A] apart, and set a dial gauge [B] on the axle at a point halfway between the blocks. Turn [C] the axle to measure the runout. The difference between the highest and lowest dial readings is the amount of runout.
- ★ If axle runout exceeds the service limit, replace the axle.

Axle Runout/100 mm (3.94 in.)

Standard: **TIR 0.05 mm (0.002 in.) or less**

Service Limit: **TIR 0.2 mm (0.008 in.)**



Wheel Balance

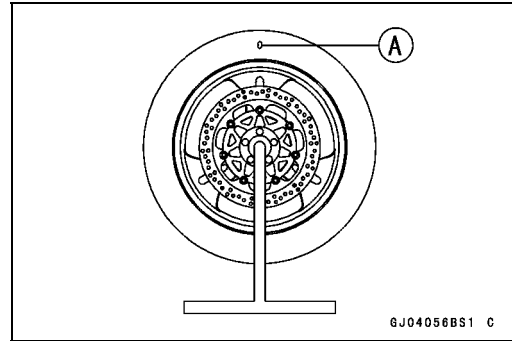
- To improve stability and decrease vibration at high speed, the front and rear wheels must be kept balanced.
- Check and balance the wheels when required, or when a tire is replaced with a new one.

10-12 WHEELS/TIRES

Wheels (Rims)

Balance Inspection

- Remove the wheel.
- Support the wheel so that it can be spun freely.
- Spin the wheel lightly, and mark [A] the wheel at the top when the wheel stops.
- Repeat this procedure several times. If the wheel stops of its own accord in various positions, it is well balanced.
- ★ If the wheel always stops in one position, adjust the wheel balance.



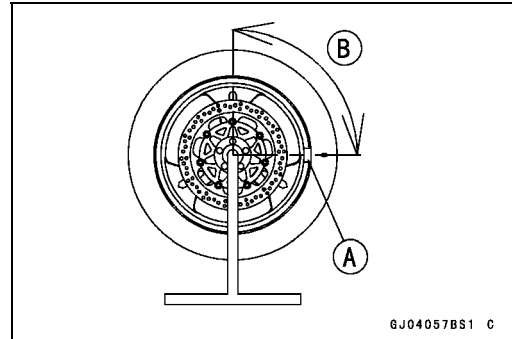
Balance Adjustment

- If the wheel always stops in one position, provisionally attach a balance weight [A] to the rim flange at the marking, using adhesive tape.

⚠ WARNING

Use only the genuine balance weights.

- Rotate the wheel 1/4 turn [B], and see whether or not the wheel stops in this position. If it does, the correct balance weight is being used.
- ★ If the wheel rotates and the weight goes up, replace the weight with the next heavier size. If the wheel rotates and the weight goes down, replace the weight with the next lighter size. Repeat these steps until the wheel remains at rest after being rotated 1/4 turn.
- Rotate the wheel another 1/4 turn and then another 1/4 turn to see if the wheel is correctly balanced.
- Repeat the entire procedure as many times as necessary to achieve correct wheel balance.



- ★ If proper balance has been achieved, permanently install the balance weight.

Balance Weight

VN1600-B1

Part Number	Weight (grams)
41075-0004	10 (0.35 oz.)
41075-0005	20 (0.71 oz.)
41075-0006	30 (1.1 oz.)

VN1600-B2 ~

Part Number	Weight (grams)
41075-0014	10 (0.35 oz.)
41075-0015	20 (0.71 oz.)
41075-0016	30 (1.1 oz.)

NOTE

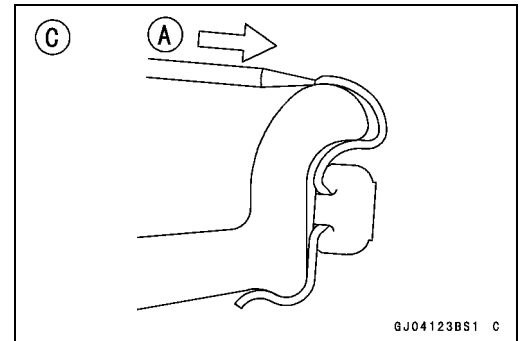
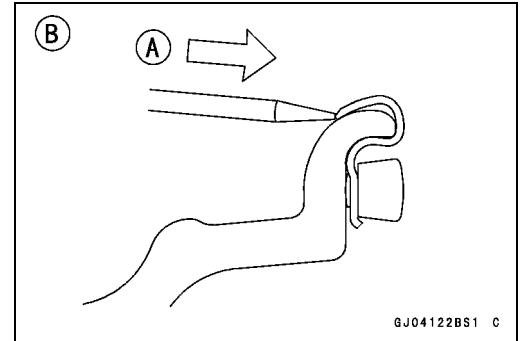
- Balance weights are available from Kawasaki Dealers in 10, 20, and 30 gram (0.35, 0.71 and 1.1 ounce) sizes. An imbalance of less than 10 grams (0.35 ounce) will not usually affect running stability.
- Do not use four or more balance weights (more than 90 gram, 3.2 ounce). If the wheel requires an excess balance weight, remove and disassemble the wheel to find the cause.

Wheels (Rims)

Balance Weight Removal

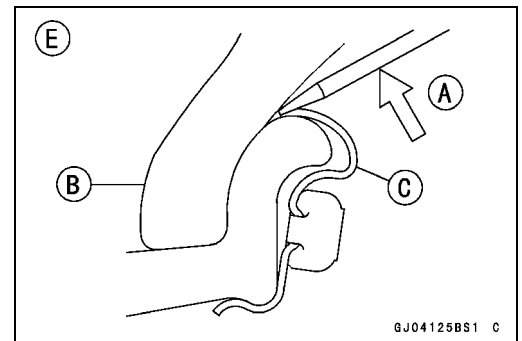
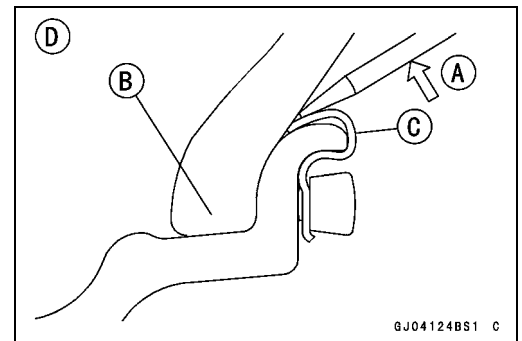
(a) When the tire is not on the rim.

- Push [A] the blade portion toward the outside with a regular tip screw driver, and slip the weight off the rim flange.
- Discard the used balance weight.
VN1600-B1 [B]
VN1600-B2 ~ [C]



(b) When the tire is on the rim.

- Pry [A] the balance weight off the rim flange using a regular tip screw driver as shown in the figure.
- Insert a tip of the screw driver between the tire bead [B] and weight blade [C] until the end of the tip reaches the end of the weight blade.
- Push the driver grip toward the tire so that the balance weight slips off the rim flange.
- Discard the used balance weight.
VN1600-B1 [D]
VN1600-B2 ~ [E]



Balance Weight Installation

- Check if the weight portion has any play on the blade-and-clip plate.
- ★ If it does, discard it.

⚠ WARNING

If the balance weight has any play on the rim flange, the blade and/or clip have been stretched. Replace the loose balance weight. Do not reuse used balance weight. Unbalanced wheels can create an unsafe riding condition.

10-14 WHEELS/TIRES

Wheels (Rims)

- Lubricate the balance weight blade, tire bead, and rim flange with a soap and water solution or rubber lubricant. This helps the balance weight slip onto the rim flange.

CAUTION

Do not lubricate the tire bead with engine oil or petroleum distillates because they will deteriorate the tire.

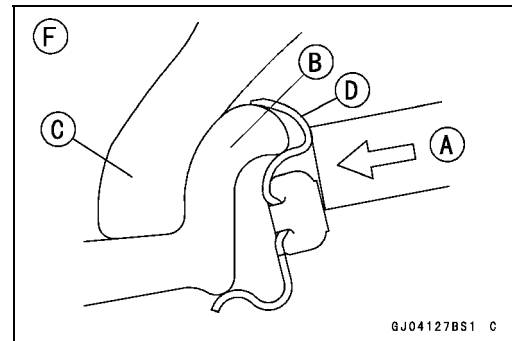
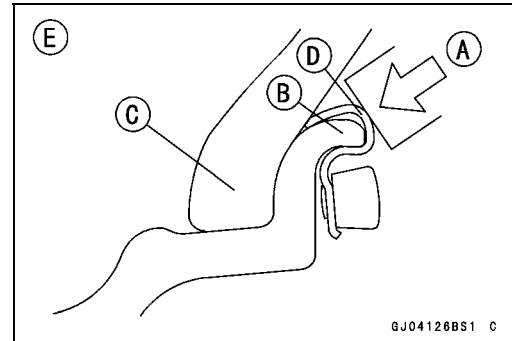
- Install the balance weight on the rim.
- Slip the weight on the rim flange [B] by pushing or lightly hammering [A] the weight in the direction shown in the figure.

Tire Bead [C]

Blade [D]

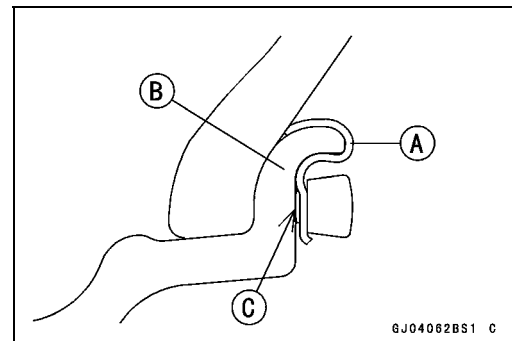
VN1600-B1 [E]

VN1600-B2 ~ [F]



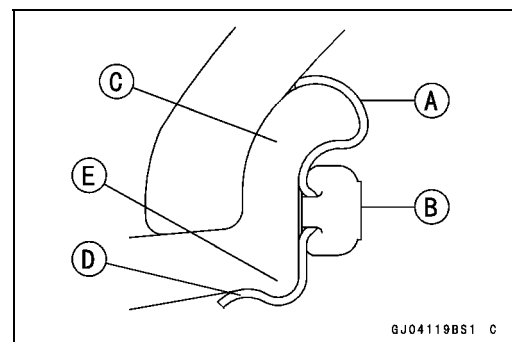
VN1600-B1

- Check that the blade [A] seat fully on the rim flange [B], and that the weight bottom [C] reaches rim flat portion.



VN1600-B2 ~

- Check that the blade [A] and weight [B] seat fully on the rim flange [C], and that the clip [D] is hooked over the rim ridge [E] and reaches rim flat portion.

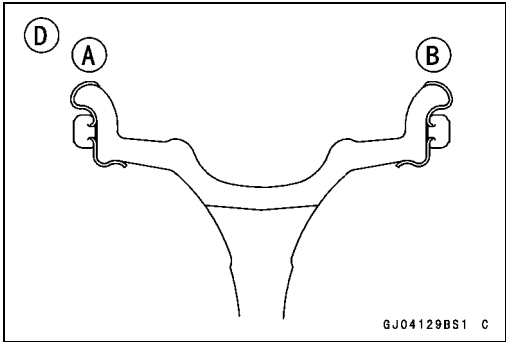
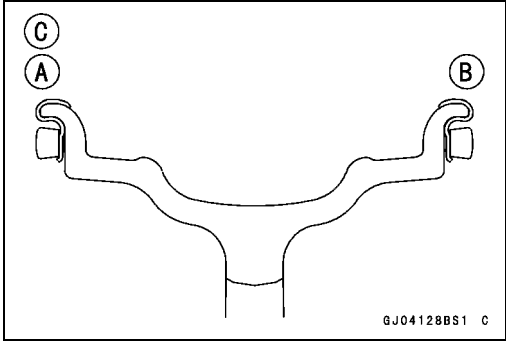


Wheels (Rims)

- When required total weight exceeds 20 g (0.71 oz.), install balance weight at both sides of rim flange as shown.

Required Total Weight	Weight Selection	
	One Side [A]	Other Side [B]
10 g (0.35 oz.)	10 g (0.35 oz.)	–
20 g (0.71 oz.)	10 g (0.35 oz.)	10 g (0.35 oz.)
30 g (1.1 oz.)	20 g (0.71 oz.)	10 g (0.35 oz.)
40 g (1.4 oz.)	20 g (0.71 oz.)	20 g (0.71 oz.)
50 g (1.8 oz.)	30 g (1.1 oz.)	20 g (0.71 oz.)
60 g (2.1 oz.)	30 g (1.1 oz.)	30 g (1.1 oz.)
70 g (2.5 oz.)	20 g (0.71 oz.) + 20 g (0.71 oz.)	30 g (1.1 oz.)
80 g (2.8 oz.)	20 g (0.71 oz.) + 20 g (0.71 oz.)	20 g (0.71 oz.) + 20 g (0.71 oz.)
90 g (3.2 oz.)	20 g (0.71 oz.) + 30 g (1.1 oz.)	20 g (0.71 oz.) + 20 g (0.71 oz.)

VN1600-B1 [C]
VN1600-B2 ~ [D]



10-16 WHEELS/TIRES

Tires

Air Pressure Inspection/Adjustment

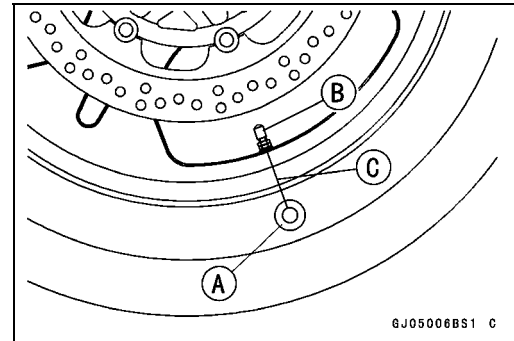
- Refer to Tire Inspection in the Periodic Maintenance chapter.

Tire Inspection

- Refer to Tire Inspection in the Periodic Maintenance chapter.

Tire Removal

- Remove the following.
 - Wheel (see Front/Rear Wheel Removal)
 - Brake Disc (see Brakes chapter)
 - Valve Core (let out the air)
- To maintain wheel balance, mark the air valve position on the tire with chalk so that the tire can be reinstalled in the same position.
 - Chalk Mark or Yellow Mark [A]
 - Air Valve [B]
 - Align [C]
- Lubricate the tire beads and rim flanges on both sides with a soap and water solution or rubber lubricant. This helps the tire beads slip off the rim flanges.



CAUTION

Never lubricate with engine oil or petroleum distillates because they will deteriorate the tire.

- Remove the tire from the rim using a commercially available tire changer.

NOTE

○ *The tires cannot be removed with hand tools because they fit the rims too tightly.*

Tire Installation

⚠ WARNING

To ensure safe handling and stability, use only the standard tires for replacement, inflated to the standard pressure. Use the same manufacturer's tires on both front and rear wheels.

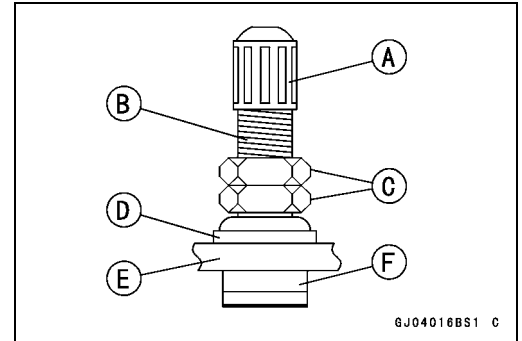
- Inspect the rim and tire, and replace them if necessary.
- Clean the sealing surfaces of the rim and tire, and smooth the sealing surfaces of the rim with a fine emery cloth if necessary.
- Remove the air valve and discard it.

CAUTION

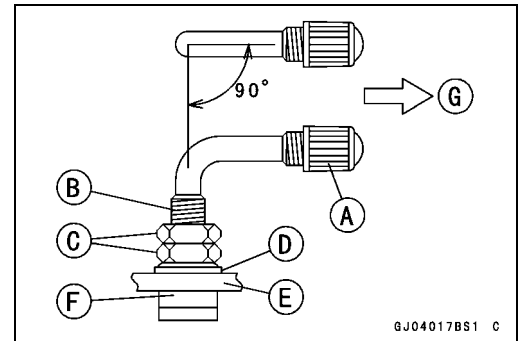
Replace the air valve whenever the tire is replaced. Do not reuse the air valve.

Tires

- Insert the new air valve in the front wheel rim.
 - Valve Cap [A]
 - Valve Stem [B]
 - Valve Nuts [C]
 - Valve Washer [D]
 - Rim [E]
 - Valve Grommet [F]
- Remove the valve cap, valve nuts, valve washer and insert the valve stem through the rim from the inside out.
- Tighten:
 - Torque - Tire Air Valve Nuts: 1.5 N·m (0.15 kgf·m, 13 in·lb)**
 - Air Valve Cap: 0.15 N·m (0.015 kgf·m, 13 in·lb)**
 - Air Valve core: 0.3 N·m (0.03 kgf·m, 2.6 in·lb)**



- Insert the new air valve in the rear wheel rim.
 - Valve Cap [A]
 - Valve Stem [B]
 - Valve Nuts [C]
 - Valve Washer [D]
 - Rim [E]
 - Valve Grommet [F]
 - Coupling Damper Side (Left Side) [G]



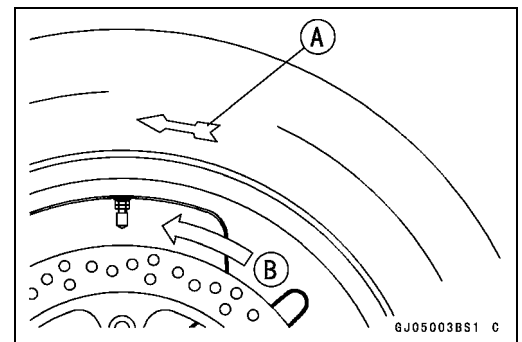
- Remove the valve cap, valve nuts, valve washer and insert the valve stem through the rim from the inside out.
- Tighten:
 - Torque - Tire Air Valve Nuts: 1.5 N·m (0.15 kgf·m, 13 in·lb)**
 - Tire Air Valve Cap: 0.15 N·m (0.015 kgf·m, 1.3 in·lb)**
 - Tire Air Valve Core: 0.3 N·m (0.03 kgf·m, 2.6 in·lb)**

- Apply a soap and water solution, or rubber lubricant to the rim flange and tire beads.

CAUTION

Never lubricate with mineral oil (engine oil) or gasoline because they will cause deterioration of the tire.

- Check the tire rotation mark on the front and rear tires and install them on the rim accordingly.
 - Tire Rotation Mark [A]
 - Rotation Direction [B]
- The front rim is no right and left distinction.
- Install the rear tire on the rim so that the damper faces left.



10-18 WHEELS/TIRES

Tires

- Position the tire on the rim so that the air valve [A] is at the tire balance mark [B] (the chalk mark made during removal, or the yellow paint mark on a new tire).
- Install the tire bead over the rim flange using a commercially available tire changer.
- Lubricate the tire beads and rim flanges with a soap and water solution or rubber lubricant to help seat the tire beads in the sealing surfaces of the rim while inflating the tire.
- Center the rim in the tire beads, and inflate the tire with compressed air until the tire beads seat in the sealing surfaces.

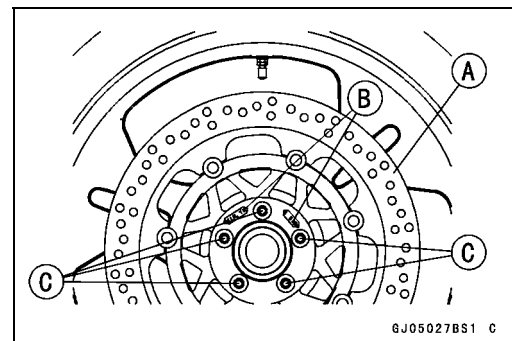
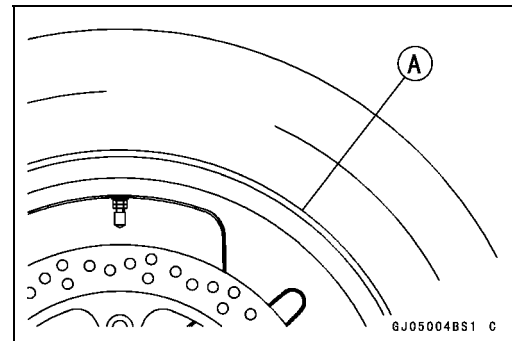
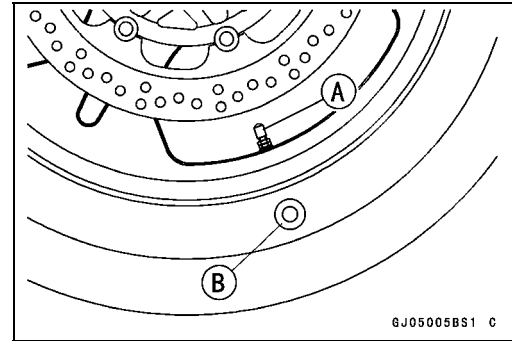
⚠ WARNING

Be sure to install the valve core whenever inflating the tire, and do not inflate the tire to more than 400 kPa (4.0 kg/cm², 57 psi). Overinflation can explode the tire with possibility of injury and loss of life.

- Check to see that the bead lines [A] on both sides of the tire sidewalls are parallel with the rim flanges.
 - ★ If the rim flanges and tire sidewall bead lines are not parallel, remove the valve core.
 - Lubricate the rim flanges and tire beads.
 - Install the valve core and inflate the tire again.
 - After the tire beads seat in the rim flanges, check for air leakage.
 - Inflate the tire slightly above standard inflation.
 - Use a soap and water solution or submerge the tire, and check for bubbles that would indicate leakage.
 - Adjust the air pressure to the specified pressure (see Tire Inspection).
 - Install the brake disc [A] so that the marked side [B] faces out.
 - Apply a non-permanent locking agent, and tighten the brake disc bolts [C].
- Torque - Brake Disc Bolts: 27 N·m (2.8 kgf·m, 20 ft·lb)**
- Adjust the wheel balance.

⚠ WARNING

Check and balance the wheel when a tire is replaced with a new one. New tires are slippery and may cause loss of control and injury. A break-in period of 160 km (100 mile) is necessary to establish normal tire traction. During break-in, avoid sudden and maximum braking and acceleration, and hard cornering.



Tires

Tire Repair

Currently two types of repair for tubeless tires have come into wide use. One type is called a temporary (external) repair which can be carried out without removing the tire from the rim, and the other type is called permanent (internal) repair which requires tire removal. It is generally understood that higher running durability is obtained by permanent (internal) repairs than by temporary (external) ones. Also, permanent (internal) repairs have the advantage of permitting a thorough examination for secondary damage not visible from external inspection of the tire. For these reasons, Kawasaki does not recommend temporary (external) repair. Only appropriate permanent (internal) repairs are recommended. Repair methods may vary slightly from make to make. Follow the repair methods indicated by the manufacturer of the repair tools and materials so that safe results can be obtained.

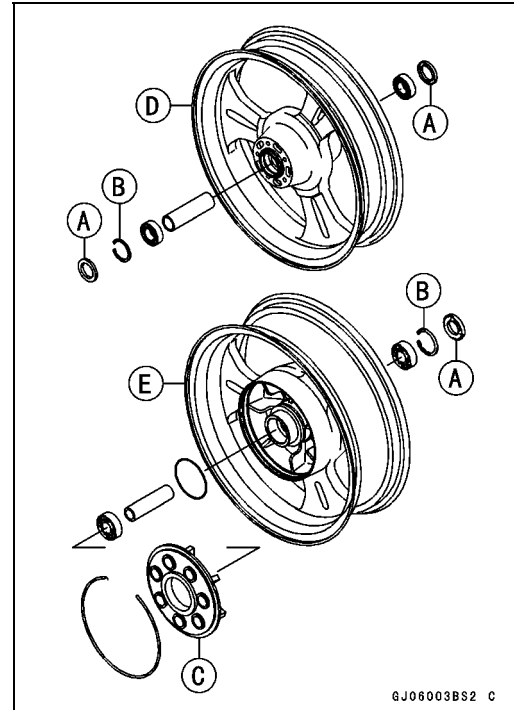
10-20 WHEELS/TIRES

Hub Bearings (Wheel Bearings)

Hub Bearings Removal

- Remove the wheel, and take out the following.
 - Collars
 - Grease Seals [A]
 - Circlips [B]
 - Coupling [C] (Out of Rear Hub)
 - Front Hub [D]
 - Rear Hub [E]

Special Tool - Inside Circlip Pliers: 57001-143



- Use the bearing remover to remove the hub bearings [A].

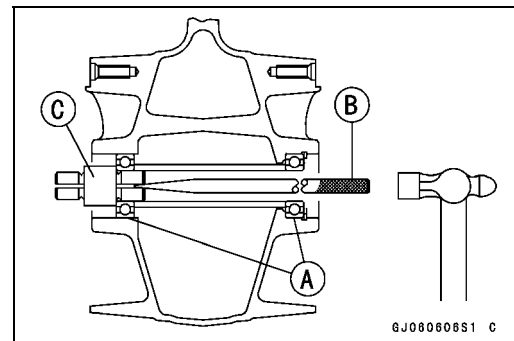
CAUTION

Do not lay the wheel directly on the ground with the disc facing down. This can damage or warp the disc. Place blocks under the wheel so that the disc does not touch the ground.

Special Tools - Bearing Remover Shaft, $\phi 13$: 57001-1377 [B]

Bearing Remover Head, $\phi 25 \times \phi 28$: 57001-1346 [C] (For Front Hub)

Bearing Remover Head, $\phi 20 \times \phi 22$: 57001-1293 [C] (For Rear Hub)



Hub Bearings Installation

- Before installing the wheel bearings, blow any dirt or foreign particles out of the hub with compressed air to prevent contamination of the bearings.
- Replace the bearings with new ones.

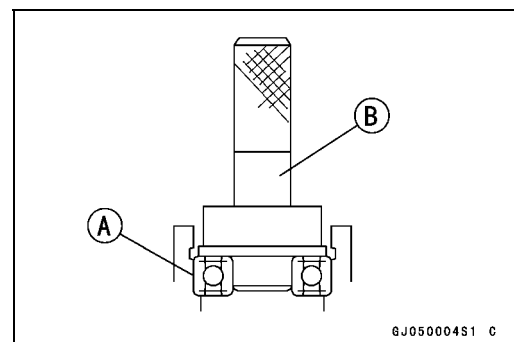
NOTE

○ Install the bearings so that the marked side faces out.

- Install the bearings by using a bearing driver.
- First, press each right bearing [A] in until it bottoms out.

Special Tool - Bearing Driver Set: 57001-1129 [B]

- Next, install the following:
 - New Circlip
 - Distance Collar
 - Left Bearing



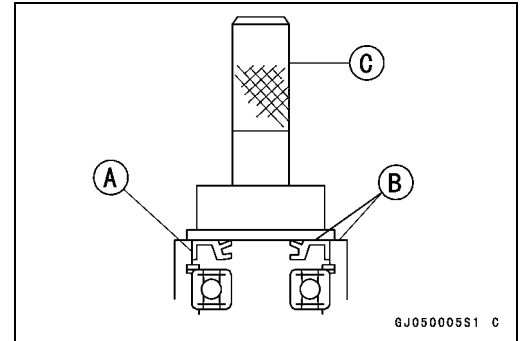
Hub Bearings (Wheel Bearings)

○ Replace the circlips with new ones.

Special Tool - Inside Circlip Pliers: 57001-143

- Replace the grease seals with new ones.
 - Press in the grease seals [A] so that the seal surface is flush [B] with the end of the hole.
- Apply high temperature grease to the grease seal lips.

Special Tool - Bearing Driver Set: 57001-1129 [C]



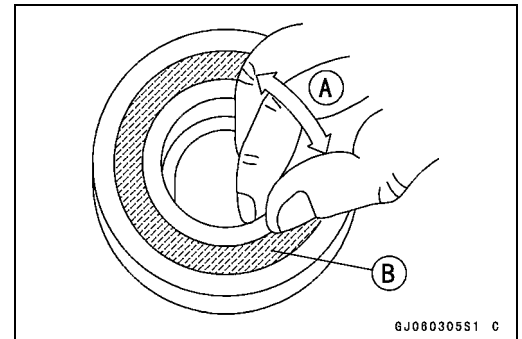
Hub Bearings Inspection

○ Since the hub bearings are made to extremely close tolerance, the clearance cannot normally be measured.

NOTE

○ *Do not remove any bearings for inspection. If any bearings are removed, they will need to be replaced with new ones.*

- Turn each bearing in the hub back and forth [A] while checking for plays, roughness, or binding.
- ★ If bearing play, roughness, or binding is found, replace the bearing.
- Examine the bearing seal [B] for tears or leakage.
- ★ If the seal is torn or is leaking, replace the bearing.



Hub Bearings Lubrication

NOTE

○ *Since the hub bearings are packed with grease and sealed, lubrication is not required.*

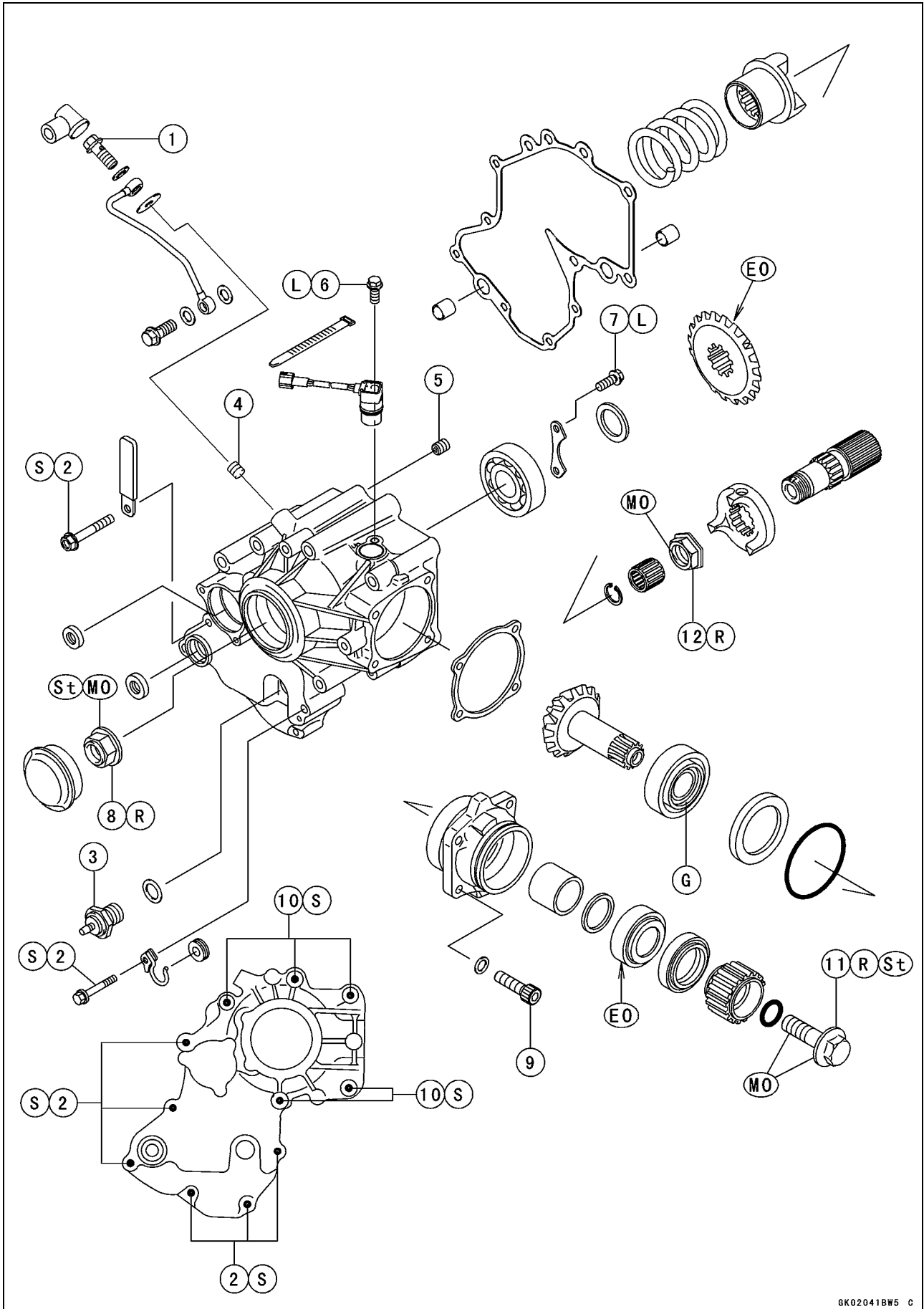
Final Drive

Table of Contents

Exploded View	11-2	Front Bevel Gears	11-26
Specifications	11-6	Front Gear Case Removal	11-26
Special Tools	11-7	Front Gear Case Installation	11-26
Final Gear Case and Oil	11-9	Front Gear Case Disassembly	11-26
Oil Level Inspection.....	11-9	Front Gear Case Assembly.....	11-28
Oil Change	11-9	Driven Gear Disassembly	11-29
Final Gear Case Removal.....	11-9	Driven Gear Assembly	11-29
Final Gear Case Installation.....	11-9	Damper Cam Removal	11-30
Final Gear Case Disassembly	11-9	Damper Cam Installation	11-30
Final Gear Case Assembly	11-11	Front Bevel Gear Adjustment.....	11-31
Pinion Gear Removal.....	11-13	Preload Adjustment.....	11-32
Pinion Gear Installation.....	11-14	Preload Measurement with Spring	
Pinion Gear Bearing Preload		Scale	11-33
Adjustment	11-15	Backlash Adjustment	11-34
Bevel Gear Inspection.....	11-18	Tooth Contact Adjustment.....	11-35
Pinion Gear Joint Inspection.....	11-18	Bevel Gear Inspection.....	11-37
Final Bevel Gear Adjustment	11-18	Cam Damper Inspection	11-37
Backlash Adjustment	11-20	Bearing and Oil Seal.....	11-38
Tooth Contact Adjustment.....	11-21	Ball or Needle Bearing	
Propeller Shaft.....	11-24	Replacement.....	11-38
Propeller Shaft Removal	11-24	Ball Bearing Wear	11-38
Propeller Shaft Installation	11-24	Tapered Roller Bearing	
Propeller Shaft Joint Lubrication ..	11-25	Inspection.....	11-39
Propeller Shaft Inspection.....	11-25	Needle Bearing Inspection.....	11-39
Sliding Joint Inspection	11-25	Oil Seal Inspection	11-39

11-2 FINAL DRIVE

Exploded View



Exploded View

Front Gear Case

No.	Fastener	Torque			Remarks
		N·m	kgf·m	ft·lb	
1	Oil Pipe Banjo Bolts (Front Gear)	12	1.2	106 in·lb	
2	Front Gear Case Bolts 6 mm	12	1.2	106 in·lb	S
3	Neutral Switch	15	1.5	11	
4	Oil Nozzle (Front Gear)	2.9	0.30	26 in·lb	
5	Oil Nozzle (Front Gear)	18	1.8	13	
6	Speed Sensor Mounting Bolt	9.8	1.0	87 in·lb	L
7	Bearing Retainer Bolts (Front Gear)	8.8	0.90	78 in·lb	L
8	Drive Gear Nut (Front Gear)	265	27	195	MO, St
9	Driven Gear Assy Mounting Bolts	25	2.5	18	
10	Front Gear Case Bolts 8 mm	29	3.0	21	S
11	Driven Gear Bolt (Front Gear)	120	12	89	MO, St
12	Damper Cam Nut (Front Gear)	195	20	144	MO (threads)

EO: Apply engine oil.

G: Apply grease.

L: Apply a non-permanent locking agent.

MO: Apply molybdenum disulfide oil.

The molybdenum disulfide oil is a mixture of engine oil and molybdenum disulfide grease with a weight ratio (10 : 1).

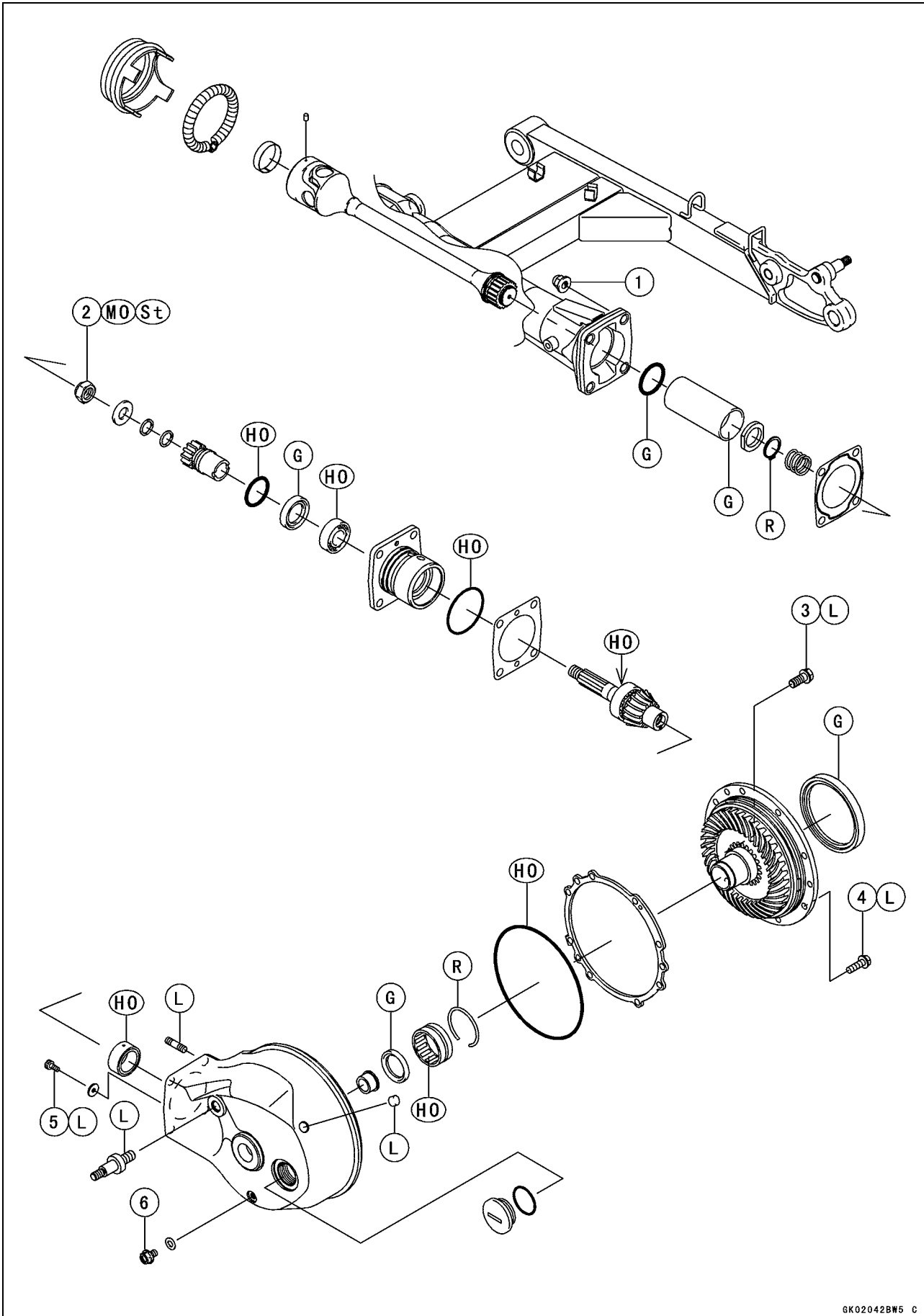
R: Replacement parts

S: Follow the specific tightening sequence.

St: Stake the fasteners.

11-4 FINAL DRIVE

Exploded View



Exploded View

Final Gear Case

No.	Fastener	Torque			Remarks
		N·m	kgf·m	ft·lb	
1	Final gear case Mounting nuts	34	3.5	25	
2	Pinion gear nut (final gear)	127	13	94	MO, St
3	Final gear case cover bolts 10 mm	34	3.5	25	L
4	Final gear case cover bolts 8 mm	23	2.3	17	L
5	Bearing retainer bolt (Final Gear)	6.9	0.70	61 in·lb	L
6	Final gear case drain plug	8.8	0.90	78 in·lb	
7	Final gear case studs	–	–	–	L

G: Apply grease.

HO: Apply hypoid gear oil.

L: Apply a non-permanent locking agent.

MO: Apply molybdenum disulfide oil.

The molybdenum disulfide oil is a mixture of engine oil and molybdenum disulfide grease with a weight ratio (10 : 1).

R: Replacement parts

St: Stake the fasteners.

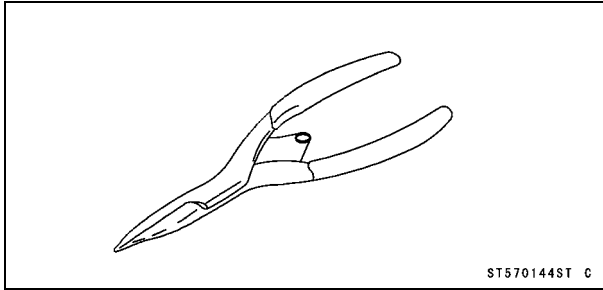
11-6 FINAL DRIVE

Specifications

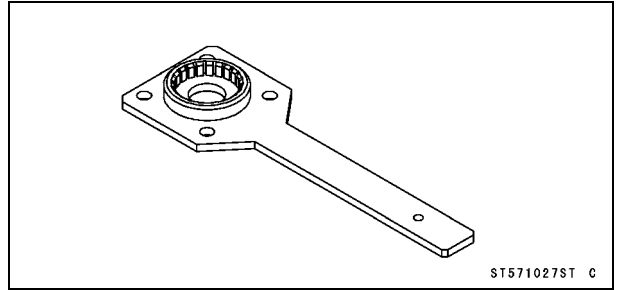
Item	Standard
Final Gear Case Oil	
Grade	API GL-5 hypoid gear oil
Viscosity	When above 5°C (41°F) SAE90 When below 5°C (41°F) SAE80
Oil level	Filler opening bottom
Amount	200 mL (6.76 US oz.)
Final Bevel Gear Backlash	0.06 ~ 0.09 mm (0.0024 ~ 0.0035 in.) (at gear hub splines)
Preload for Pinion Gear Bearing	
Torque Wrench	0.6 ~ 1.0 N·m (0.06 ~ 0.10 kgf·m, 5.2 ~ 8.7 in·lb)
Spring Seal	3.0 ~ 5.0 N (0.3 ~ 0.5 kg, 0.7 ~ 1.1 lb)
Propeller Shaft Joint Grease	20 mL (0.68 US oz.), high-temperature grease
Front Bevel Gear Backlash	0.10 ~ 0.15 mm (0.0039 ~ 0.0059 in.) (at gear teeth)
Preload for Front Bevel Gear Bearing	
Torque Wrench	0.5 ~ 0.9 N·m (0.05 ~ 0.09 kgf·m, 4.3 ~ 7.8 in·lb)
Spring Scale	3 ~ 4 N (0.3 ~ 0.5 kg, 0.6 ~ 1.0 lb)

Special Tools

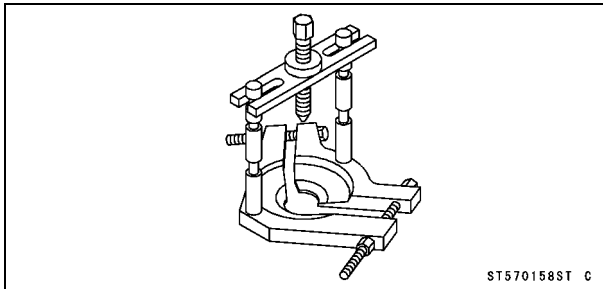
Outside Circlip Pliers:
57001-144



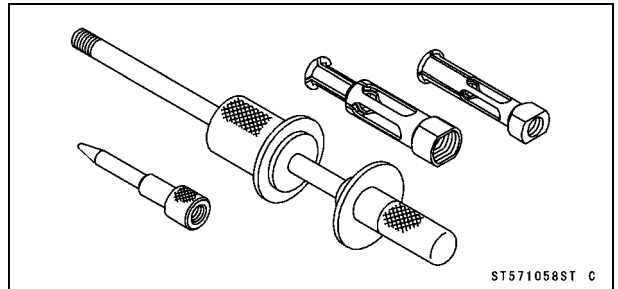
Driven Gear Holder, m2:
57001-1027



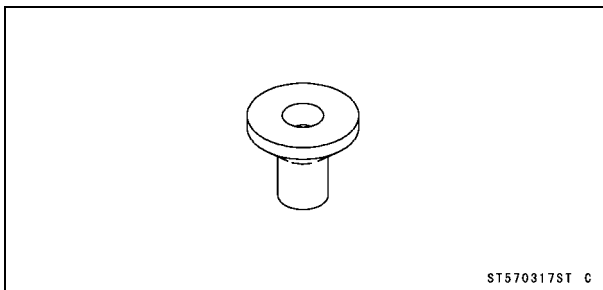
Bearing Puller:
57001-158



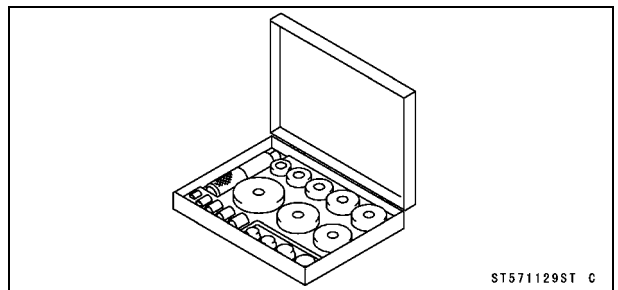
Oil Seal & Bearing Remover:
57001-1058



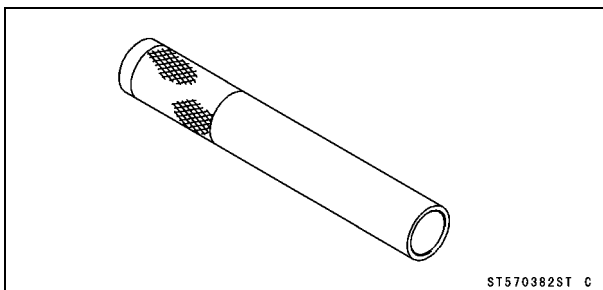
Bearing Puller Adapter:
57001-317



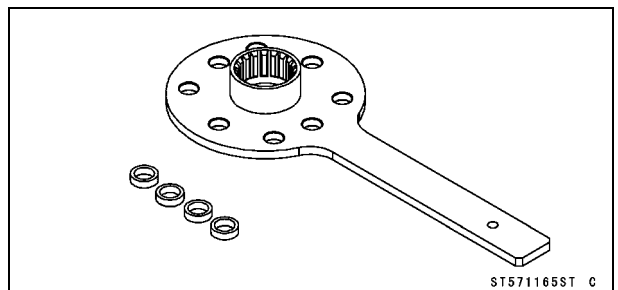
Bearing Driver Set:
57001-1129



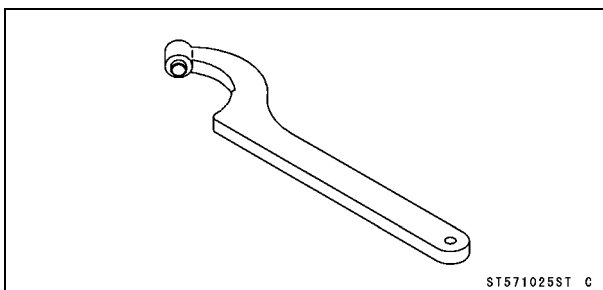
Bearing Driver, $\phi 32$:
57001-382



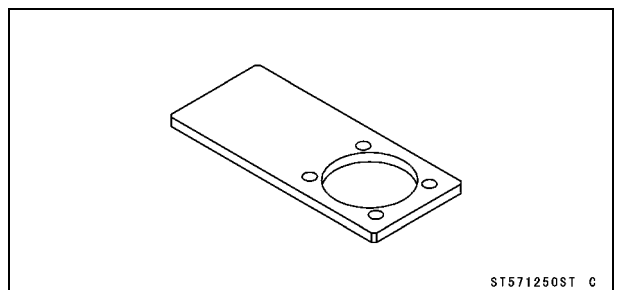
Pinion Gear Holder, m1.9:
57001-1165



Damper Cam Holder:
57001-1025



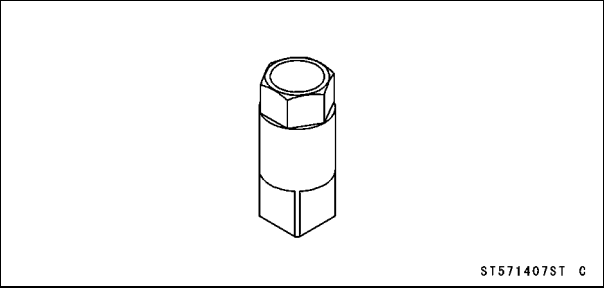
Final Gear Case Holder:
57001-1250



11-8 FINAL DRIVE

Special Tools

Drive Shaft Holder:
57001-1407



Final Gear Case and Oil

Oil Level Inspection

- Refer to Final Gear Case Oil Level Inspection in Periodic Maintenance chapter.

Oil Change

- Refer to Final Gear Case Oil Change in Periodic Maintenance chapter.

Final Gear Case Removal

- ★ If the final gear case is to be disassembled, drain the final gear case oil.
- Remove the rear wheel (see Wheels/Tires chapter).
- Remove the left shock absorber [A] from its studs by taking off the nuts.
- Remove the swingarm cover (see Suspension chapter).
- Remove the final gear case by taking off the nuts [B]. The spring comes off with the case.

NOTE

- If the final gear case is full of oil, place the case so that the breather hole [C] is on top.

Final Gear Case Installation

- Lubricate the propeller shaft joint (see Periodic Maintenance chapter).
- Install the spring so that the smaller diameter end [A] faces toward the final gear case.

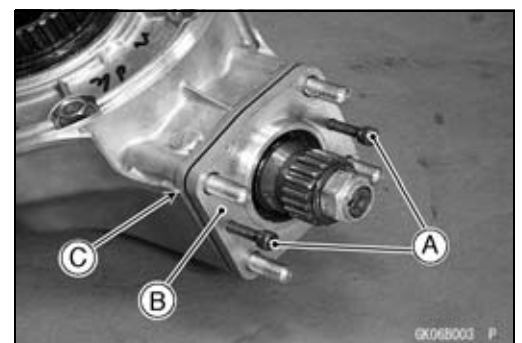
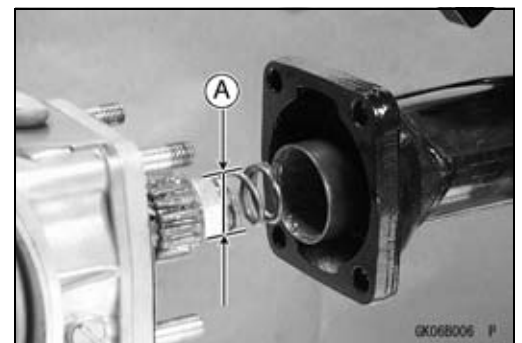
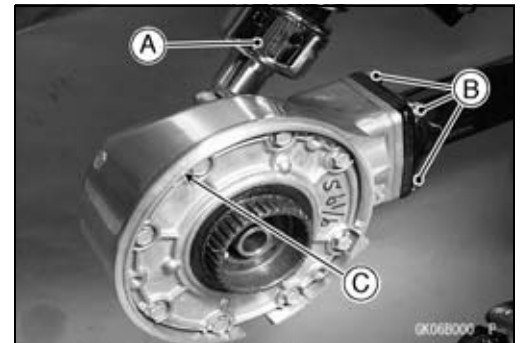
- Fit the pinion gear splines into the propeller shaft joint while turning the ring gear hub [A].
- Tighten the final gear case mounting nuts to the specified torque.

Torque - Final Gear Case Mounting Nuts: 34 N·m (3.5 kgf·m, 25 ft·lb)

- ★ If the final gear case oil was drained, fill the case with oil.

Final Gear Case Disassembly

- Remove the final gear case.
- Using 6 mm bolts [A] with 10 mm pitch threads, jack up the pinion gear assembly [B].
- Remove the pinion gear assembly and shim(s) [C] from the final gear case.



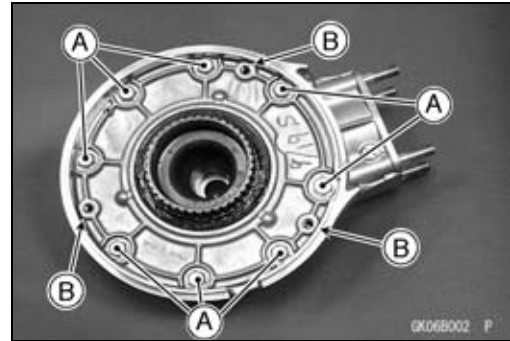
11-10 FINAL DRIVE

Final Gear Case and Oil

- Remove the final gear case cover bolts [A].
- Use three tapped holes [B] to lift the ring gear assy from the gear case. The shim(s) comes off with the assy.

NOTE

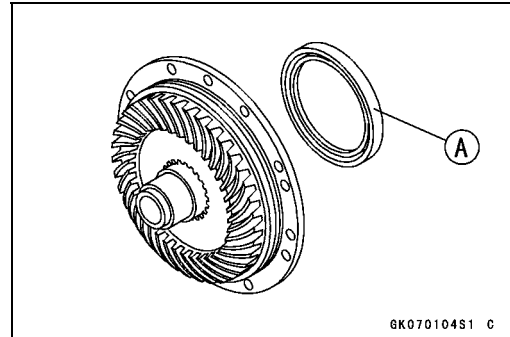
○Do not disassemble the ring gear assy (ring gear, ring gear hub, and final gear case cover), but the oil seal can be removed.



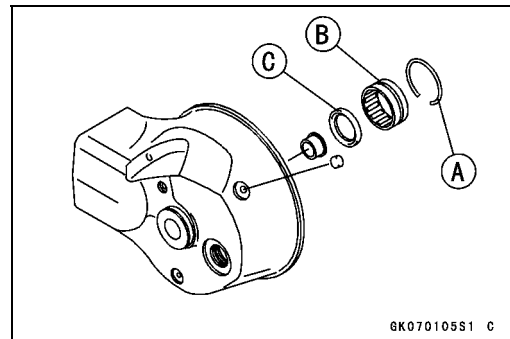
- To remove the ring gear oil seal [A], heat the ring gear assy in an oil bath to 120 ~ 150°C (248 ~ 302°F), then pry out the oil seal with an awl or other tool. Be careful not to scratch the sealing surface on the ring gear hub.

CAUTION

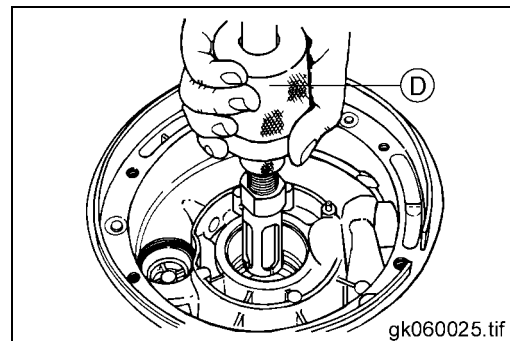
Do not heat the case with a blowtorch. This will warp the case.



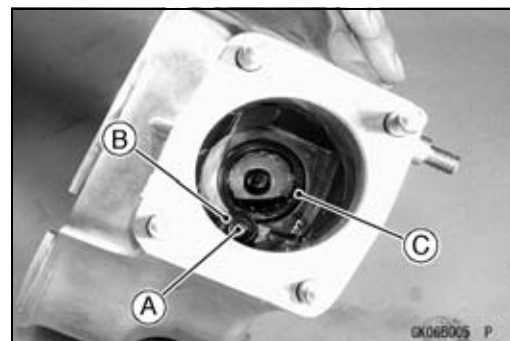
- Remove the snap ring [A] and pull out the needle bearing [B].
- ★ If the small ring gear oil seal [C] is damaged, remove it using the oil seal and bearing remover.



- Remove the small ring gear oil seal if damaged.
Special Tool - Oil Seal & Bearing Remover [D]: 57001-1058

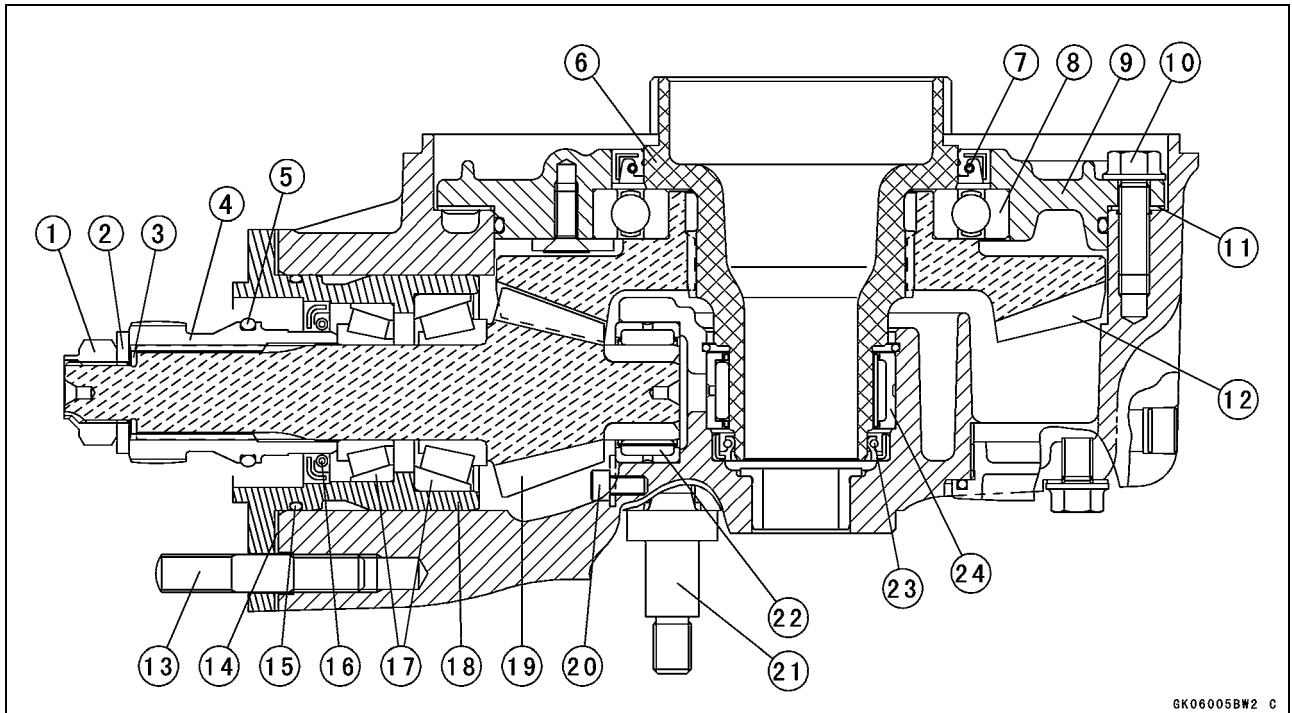


- Unscrew the bearing retainer bolt [A] and washer [B].
- Pull out the needle bearing [C].
Special Tool - Oil Seal & Bearing Remover: 57001-1058



Final Gear Case and Oil

Final Gear Case

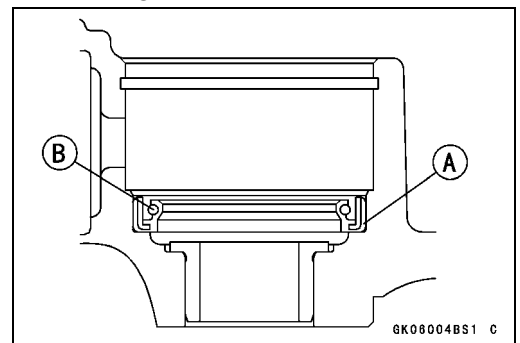


GK06005BW2 C

- | | |
|--------------------------|---------------------------------|
| 1. Pinion Gear Nut | 13. Studs |
| 2. Washer | 14. Pinion Gear Shim(s) |
| 3. Shim(s) for Preload | 15. O-ring |
| 4. Pinion Gear Joint | 16. Oil Seal |
| 5. O-ring | 17. Tapered Roller Bearings |
| 6. Ring Gear Hub | 18. Pinion Gear Bearing Housing |
| 7. Ring Gear Oil Seal | 19. Pinion Gear |
| 8. Ball Bearing | 20. Retainer Bolt |
| 9. Final Gear Case Cover | 21. Stud |
| 10. Cover Mounting Bolts | 22. Needle Bearing |
| 11. Ring Gear Shim(s) | 23. Small Ring Gear Oil Seal |
| 12. Ring Gear | 24. Needle Bearing |

Final Gear Case Assembly

- The ring gear and pinion gear are lapped as a set in the factory to get the best tooth contact. They must be installed as a pair, and never replace one without the other.
 - Press the small ring gear oil seal [A] until it bottoms out with its spring [B] facing inward.
 - Apply a thin coat of high temperature grease to the oil seal lip.
- Special Tool - Bearing Driver Set: 57001-1129**
- Apply a thin coat of high temperature grease to the oil seal lip.



GK08004BS1 C

11-12 FINAL DRIVE

Final Gear Case and Oil

- Replace the needle bearings [A] with new ones.
- Apply a hypoid gear oil to the roller parts of the needle bearings.

NOTE

- Install the bearing so that the marked side faces out.
- Press in the bearings until they are bottomed.

Special Tool - Bearing Driver Set: 57001-1129

- Install the snap ring [B] secure.
- Apply a non-permanent locking agent to the bearing retainer bolt [C].
- Install the washer [D] and the bearing retainer bolt.
- Tighten:

Torque - Bearing Retainer Bolt: 6.9 N·m (0.70 kgf·m, 61 in·lb)

- Apply a thin coat of high temperature grease to the oil seal lip of the ring gear oil seal.
- Install the ring gear oil seal with its spring [A] facing inward using a suitable driver until the face of the seal is even [B] with the end of the hole.

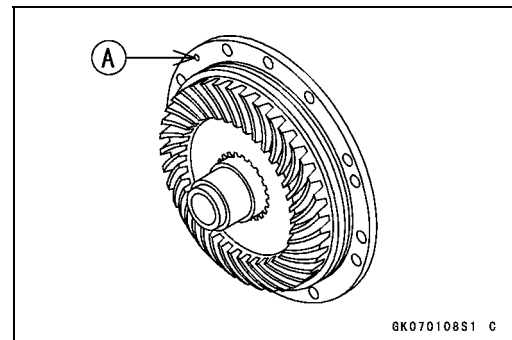
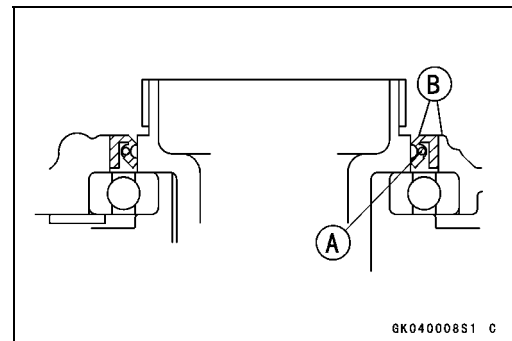
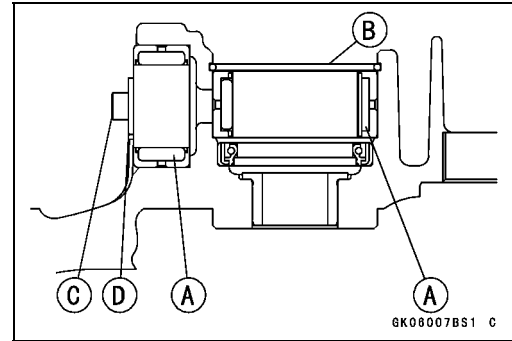
- Blow the breather hole [A] in the final gear case cover clean with compressed air.
- Apply a non-permanent locking agent to the threads of each stud and install them to the case if they were removed.
- Reinstall the original ring gear shim(s) to keep the gear backlash and the tooth contact unchanged.
- When final gear case parts are replaced, the final bevel gear must be adjusted (see Final Gear Backlash and Tooth Contact Adjustment).
- Apply a non-permanent locking agent to the threads of the final gear case cover bolts.
- Tighten:

Torque - Final Gear Case Cover Bolts:

φ10: 34 N·m (3.5 kgf·m, 25 ft·lb)

φ8: 23 N·m (2.3 kgf·m, 17 ft·lb)

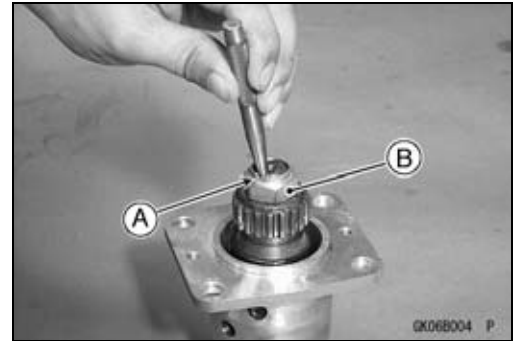
- Insert the pinion gear assembly into the final gear housing.
- Reinstall the pinion gear assembly shim(s) to keep the gear backlash and the tooth contact unchanged.



Final Gear Case and Oil

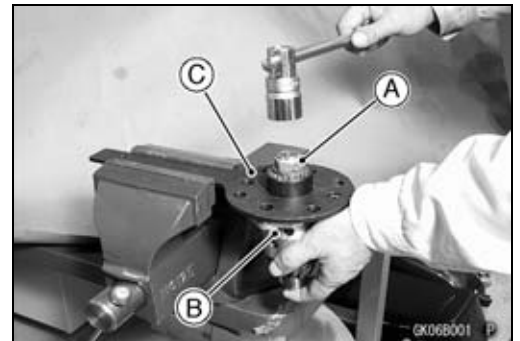
Pinion Gear Removal

- Pry open the staking [A] on the pinion gear nut [B].

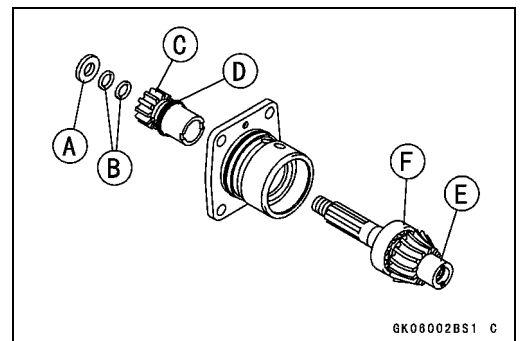


- Unscrew the nut [A] while holding the pinion gear assembly [B] with the pinion gear holder [C].

Special Tool - Pinion Gear Holder, m1.9: 57001-1165

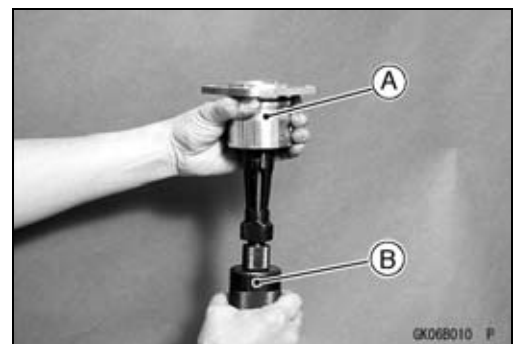


- Remove:
 Washer [A]
 Shim(s) [B]
 Pinion gear joint [C] with the O-ring [D].
 Pinion gear [E] with the Tapered Roller Bearing [F]



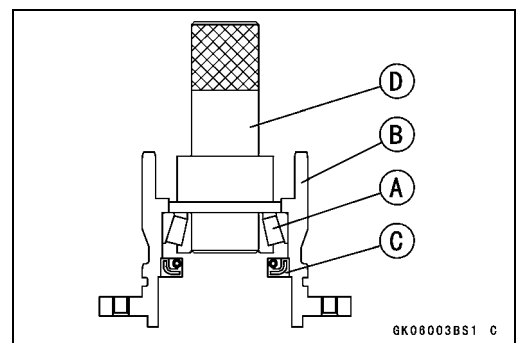
- Drive out the bearing outer race from the bearing housing [A].

Special Tool - Oil Seal & Bearing: 57001-1058 [B]



- Drive out the tapered roller bearing [A] in the bearing housing [B] and the oil seal [C] using the bearing driver set [D].

Special Tool - Bearing Driver Set: 57001-1129

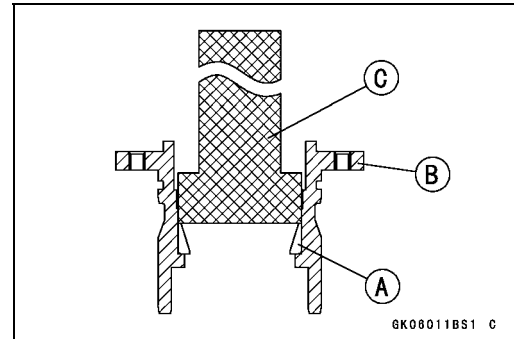


11-14 FINAL DRIVE

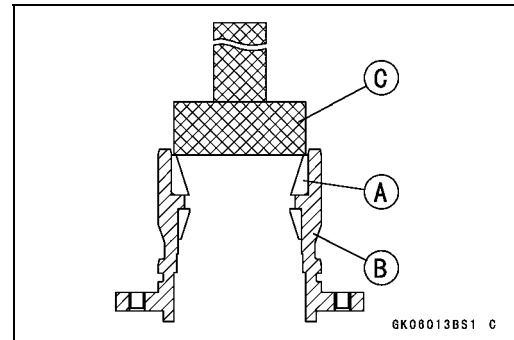
Final Gear Case and Oil

Pinion Gear Installation

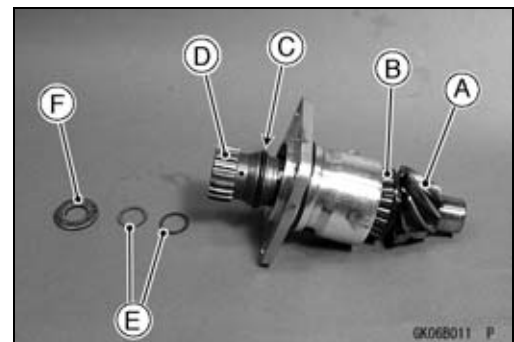
- The pinion gear and ring gear are lapped as a set in the factory to get the best tooth contact. They must be replaced as a set.
- Check the tapered roller bearing (see this chapter).
- Apply a hypoid gear oil to the roller bearings.
- Drive the tapered roller bearing [A] into the pinion gear housing [B] using the bearing driver set [C].
Special Tool - Bearing Driver Set: 57001-1129



- Drive the tapered roller bearing outer race [A] into the pinion gear housing [B] using the bearing driver set [C].
Special Tool - Bearing Driver Set: 57001-1129



- Insert the pinion gear [A].
- Install the pinion gear with the tapered roller bearing as [B] one unit.
- Check the O-ring [C] on the pinion gear joint [D] for any kind of damage.
- ★ Replace it if necessary.
- Apply a hypoid gear oil to the O-ring.
- Install the pinion gear joint, shim(s) [E] and washer [F].



- Replace the pinion gear nut with a new one.
- Apply:

Molybdenum Disulfide Oil - Threads and Seating

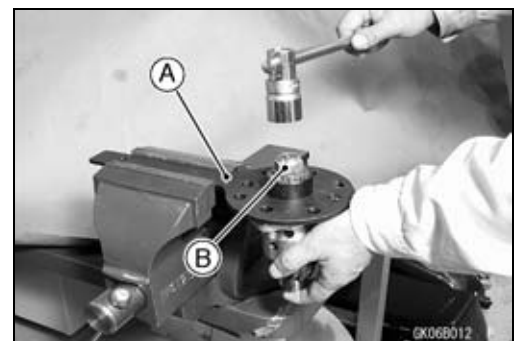
Surface of Pinion Gear Nut

- Using the pinion gear holder [A], tighten the pinion gear nut [B].

Special Tool - Pinion Gear Holder, m1.9: 57001-1165

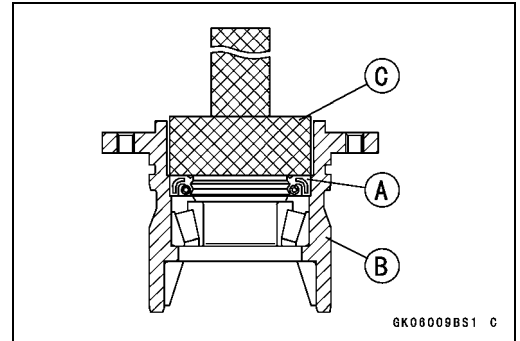
Torque - Pinion Gear Nut: 127 N·m (13 kgf·m, 93 ft·lb)

- Check the pinion gear bearing preload (see this chapter).
- Remove:
 - Pinion Gear Nut
 - Washer Shim(s)
 - Pinion Gear Joint
 - Pinion Gear Assy



Final Gear Case and Oil

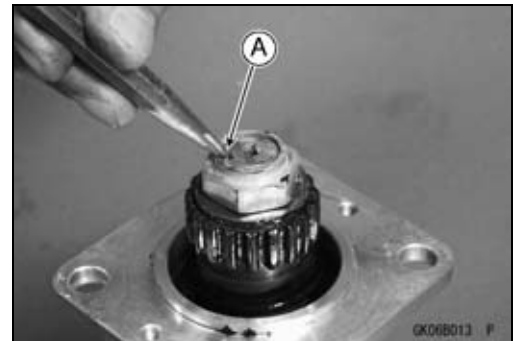
- Replace the oil seal with a new one.
 - Drive the oil seal [A] using the bearing driver set [B].
- Special Tool - Bearing Driver Set: 57001-1129 [C]**



- Reinstall the above removed parts.
- Stake [A] the pinion gear nut with a punch.

CAUTION

When staking the nut, be careful not to apply shock to the pinion gear and its bearing. Such a shock could damage the pinion gear and/or bearing.



Pinion Gear Bearing Preload Adjustment

Preload Measurement

- Check and adjust the bearing preload in the following case.
- When any of the parts listed below are replaced with new ones.
 - Tapered roller bearings
 - Bevel gears
 - Bearing housing
 - Pinion gear joint
- When the pinion gear nut is loosened, even if the purpose is not to replace the parts.
- Assemble the pinion gear bearing housing, and tighten the pinion gear nut to the specified torque. Oil seal installation is not required until the correct bearing preload is obtained.

CAUTION

To start with, choose a shim or shims so that the bearings are just SNUG with NO play but also with NO preload. Any over-preload on the bearings could damage the bearings.

11-16 FINAL DRIVE

Final Gear Case and Oil

- Apply a little hypoid gear oil to the bearings, and turn the gear shaft more than 5 turns to allow the bearings to seat.
- Measure the bearing preload. Bearing preload is defined as the force or torque which is needed to start the gear shaft turning.

Preload for Pinion Gear Bearing

Using Spring Scale:

3.0 ~ 5.0 N (0.30 ~ 0.50 kg, 0.7 ~ 1.1 lb)

Using Torque Wrench:

0.6 ~ 1.0 N·m (0.06 ~ 0.10 kgf·m, 5.2 ~ 8.7 in·lb)

NOTE

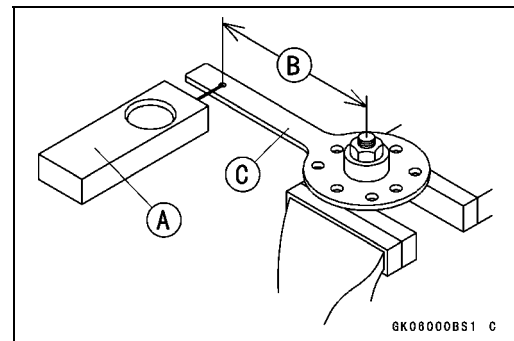
○Preload can be measured either with a spring scale or a beam-type torque wrench. When measured with a spring scale, the preload is designated by force (N, kg, lb), and when measured with a torque wrench, it is designated by torque N·m, (kgf·m, in·lb).

Using Spring Scale

- Hook the spring scale [A] on the handle at the point 200 mm (7.87 in.) [B] from the center of the gear shaft.
- Hold the bearing housing in a vise so that the gear shaft axis is vertical.
- Apply force to the handle horizontally and at a right angle to it.

Special Tool - Pinion Gear Holder, m1.9: 57001-1165 [C]

- ★ If the preload is out of the specified range, replace the shims under the flat washer, and re-check the preload. Refer to the next paragraph to select suitable shims.



Final Gear Case and Oil

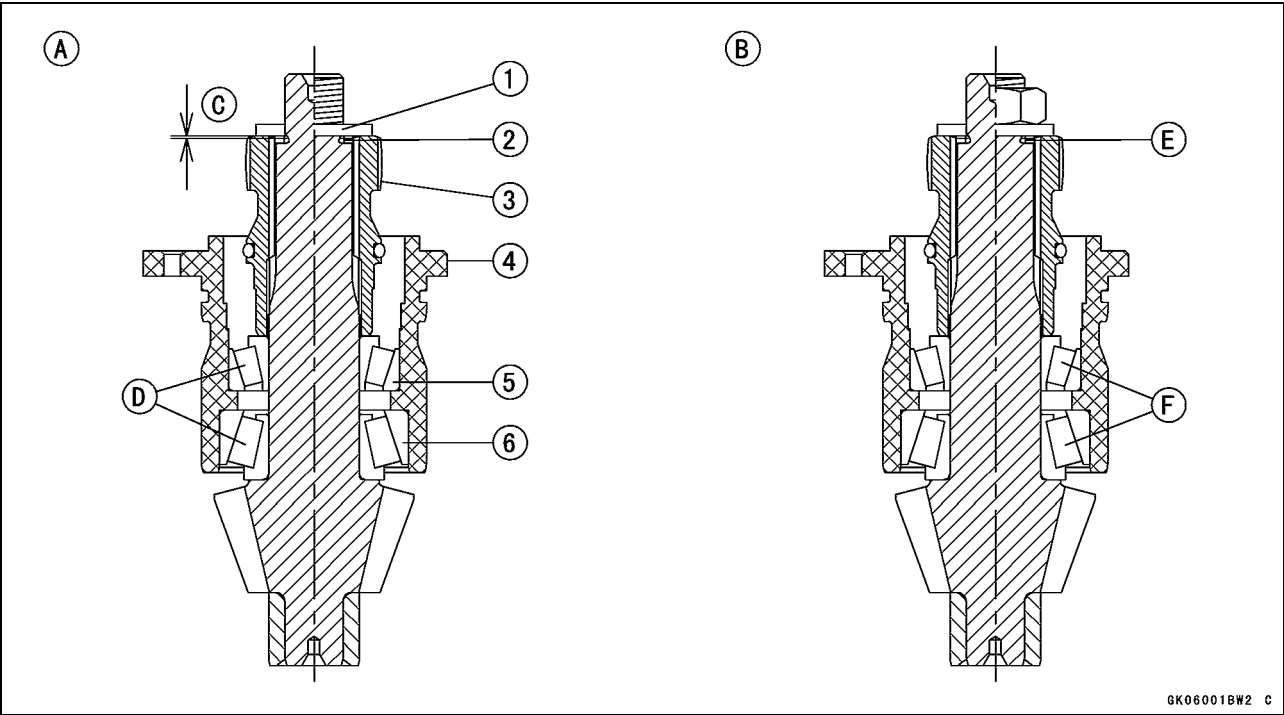
Preload Adjustment

- To increase preload, decrease the thickness of the size of the shim(s). To decrease preload increase the thickness of the shim(s).
- Change the thickness a little at a time.
- Re-adjust the bearing preload, and re-adjust if necessary.

Shims for Preload Adjustment

Thickness	Part Number
0.1 (0.004 in.)	92025-1219
0.2 (0.008 in.)	92025-1220
0.3 (0.012 in.)	92025-1221
0.5 (0.020 in.)	92025-1222
0.6 (0.024 in.)	92025-1223
0.7 (0.028 in.)	92025-1224
0.8 (0.031 in.)	92025-1225
* 0.9 (0.035 in.)	92025-1226
1.0 (0.040 in.)	92025-1227
1.30 (0.051 in.)	92025-1214
1.32 (0.052 in.)	92025-1215
1.34 (0.053 in.)	92025-1216
1.36 (0.054 in.)	92025-1217
1.38 (0.0543 in.)	92025-1218

*: Standard



GK06001BW2 C

- 1. Washer
- 2. Shim(s)
- 3. Pinion Gear Joint
- 4. Bearing Housing

- 5. Tapered Roller Bearing
- 6. Tapered Roller Bearing
- A. Before Tightening
- B. After Tightening

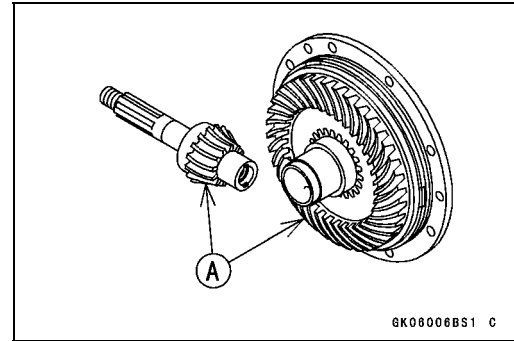
- C. Initial Clearance
- D. Under No Preload
- E. No Clearance
- F. Under Preload

11-18 FINAL DRIVE

Final Gear Case and Oil

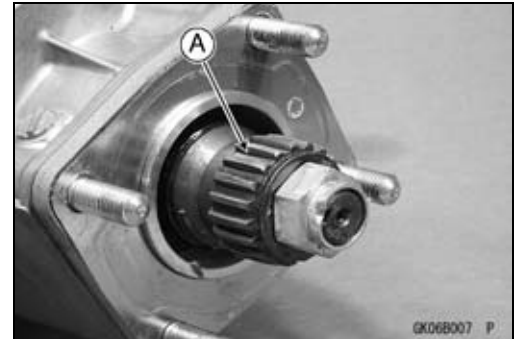
Bevel Gear Inspection

- Visually check the bevel gears [A] for scoring, chipping, or other damage.
- ★ Replace the bevel gears as a set if either gear is damaged.



Pinion Gear Joint Inspection

- Visually inspect the splines [A] of the pinion gear joint.
- ★ If they are badly worn or chipped, replace the joint with a new one. Also, inspect the propeller shaft sliding joint.

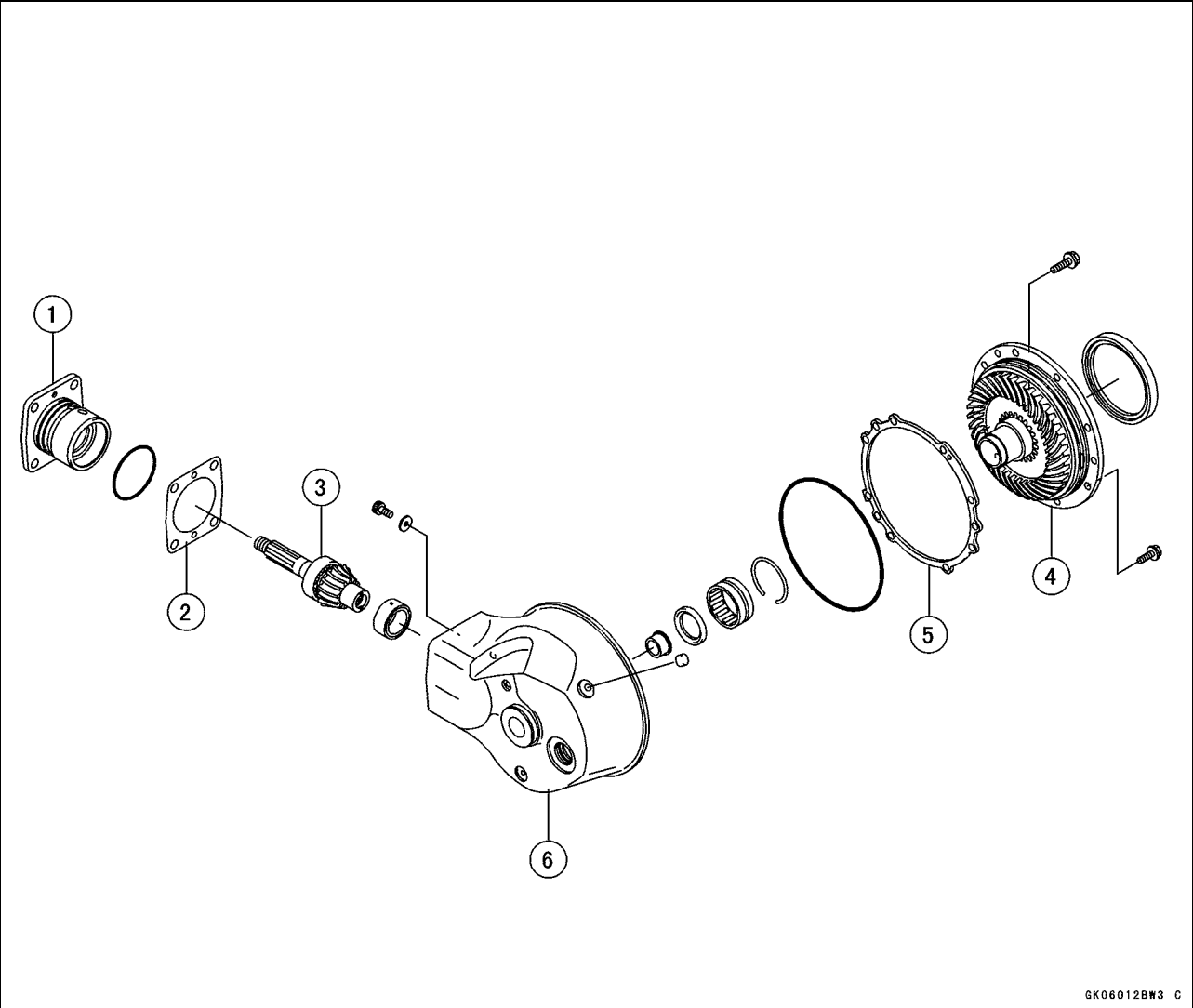


Final Bevel Gear Adjustment

- The **backlash** and **tooth contact pattern** of the bevel gears must be correct to prevent the gears from making noise and being damaged.
- After replacing any of the backlash-related parts, be sure to check and adjust the backlash and tooth contact of the bevel gears. First, adjust backlash, and then tooth contact by replacing shims.
- The amount of backlash is influenced by the ring gear position more than by the pinion gear position.
- Tooth contact locations is influenced by pinion gear position more than by ring gear position.

Final Gear Case and Oil

Backlash-Related Parts



GK06012BW3 C

- 1. Pinion Gear Bearing Housing
- 2. Pinion Gear Shim(s)
- 3. Pinion Gear Assy

- 4. Ring Gear Assy
- 5. Ring Gear Shim(s)
- 6. Final Gear Case

11-20 FINAL DRIVE

Final Gear Case and Oil

Ring Gear Shims for Backlash Adjustment

Thickness (mm)	Parts Number
0.15 (0.0059 in.)	92025-1783
0.5 (0.02 in.)	92025-1784
0.6 (0.023 in.)	92025-1785
0.7 (0.028 in.)	92025-1786
0.8 (0.031 in.)	92025-1787
0.9 (0.035 in.)	92025-1788
1.0 (0.039 in.)	92025-1789
1.2 (0.047 in.)	92025-1790

Pinion Gear Shims for Tooth Contact Adjustment

Thickness (mm)	Parts Number
0.15 (0.0059 in.)	92180-0009
0.5 (0.02 in.)	92180-0010
0.6 (0.023 in.)	92180-0011
0.7 (0.028 in.)	92180-0012
0.8 (0.031 in.)	92180-0013
0.9 (0.035 in.)	92180-0014
1.0 (0.039 in.)	92180-0015
1.2 (0.047 in.)	92180-0016

Backlash Adjustment

- Clean any dirt and oil off the bevel gear teeth with a high-flash point solvent.

CAUTION

Do not install the O-ring or oil seals during adjustment.

- Install the pinion gear bearing housing with the primary shim (**1.0 mm 0.04 in. thickness**).
- Hold the pinion gear steady with the pinion gear holder and tighten the final gear case mounting nuts to the specified torque.

Special Tool - Pinion Gear Holder, m1.9: 57001-1165

Torque - Final Gear Case Mounting Nuts: 34 N·m (3.5 kgf·m, 25 ft·lb)

- Install the ring gear assy with the primary shim (**1.0 mm, 0.04 in. thickness**), and tighten the cover bolts to the specified torque.

Torque - Final Gear Case Cover Bolts:

M10: 34 N·m (3.5 kgf·m, 25 ft·lb)

M8: 23 N·m (2.3 kgf·m, 17 ft·lb)

- Check the backlash during tightening of the cover bolts, and stop tightening them immediately if the backlash disappears. Then, change the ring gear shim to a thicker one.

Final Gear Case and Oil

- Mount a dial gage [D] on a vise so that the tip of the gage is against the splines of the ring gear hub.
- To measure the backlash, turn the ring gear hub [B] back and forth [C] while holding the pinion gear steady with the pinion gear holder [A]. The difference between the highest and the lowest gage reading is the amount of backlash.
- Measure backlash at three locations equally spaced on the splines.

Final Bevel Gear Backlash:

0.10 ~ 0.20 mm (0.0039 ~ 0.0079 in.)

(at ring gear hub splines)

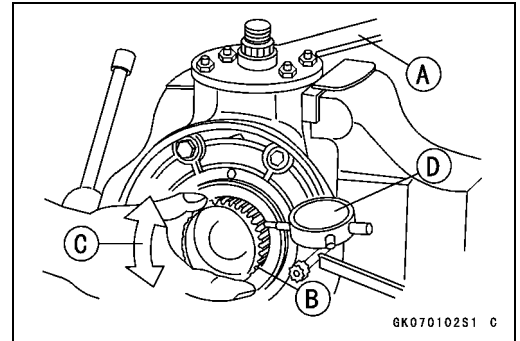
- ★ If the backlash is out of the limit, replace the ring gear shims. To increase backlash, increase the thickness of the shim(s). To decrease backlash, decrease the thickness of the shim(s).
- ★ Change the thickness a little at a time.
- Recheck the backlash, and readjust as necessary.

Tooth Contact Adjustment

- Clean any dirt and oil off the bevel gear teeth with a high-flash point solvent.
- Apply checking compound to 4 or 5 teeth of the pinion gear.

NOTE

- Apply checking compound to the teeth in a thin, even coat with a fairly stiff paint brush. If painted too thickly, the exact tooth pattern may not appear.
- The checking compound must be smooth and firm, with the consistency of tooth paste.
- Special compounds are available at automotive supply stores for the purpose of checking differential gear tooth patterns and contact.



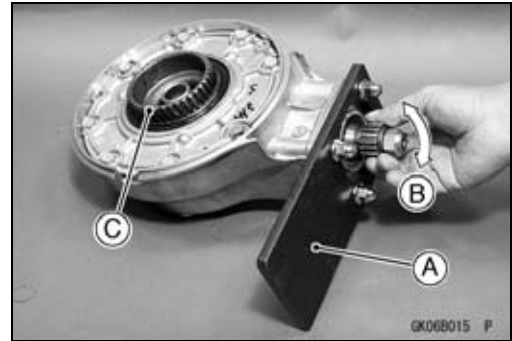
11-22 FINAL DRIVE

Final Gear Case and Oil

- Hold the pinion gear assembly with the final gear case holder [A].
Special Tool - Final Gear Case Holder: 57001-1250
- Tighten:
Torque - Final Gear Case Mounting Nuts: 34 N·m (3.5 kgf·m, 25 ft·lb)
- Turn the pinion gear for one revolution [B] back and forth, while creating a drag on the ring gear hub [C].
- Remove the ring gear assy and pinion gear assy to check the drive pattern and coast pattern of the bevel gear teeth. The tooth contact patterns of both (drive and coast) sides should be centrally located between the top and bottom of the tooth. The drive pattern can be a little closer to the toe and the coast pattern can be a somewhat longer and closer to the toe.
- ★ If the tooth contact pattern is incorrect, replace the pinion gear shim(s), following the examples shown. Then erase the tooth contact patterns, and check them again. Also check the backlash every time the shim(s) are replaced. Repeat the shim change procedure as necessary.

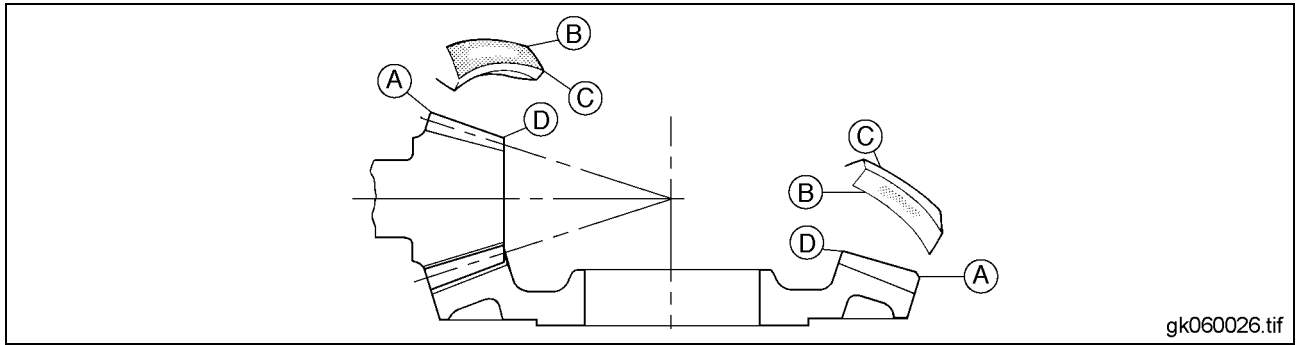
NOTE

○ If the backlash is out of the standard range after changing the pinion gear shim(s), replace the ring gear shim(s) to correct the backlash before checking the tooth contact pattern.



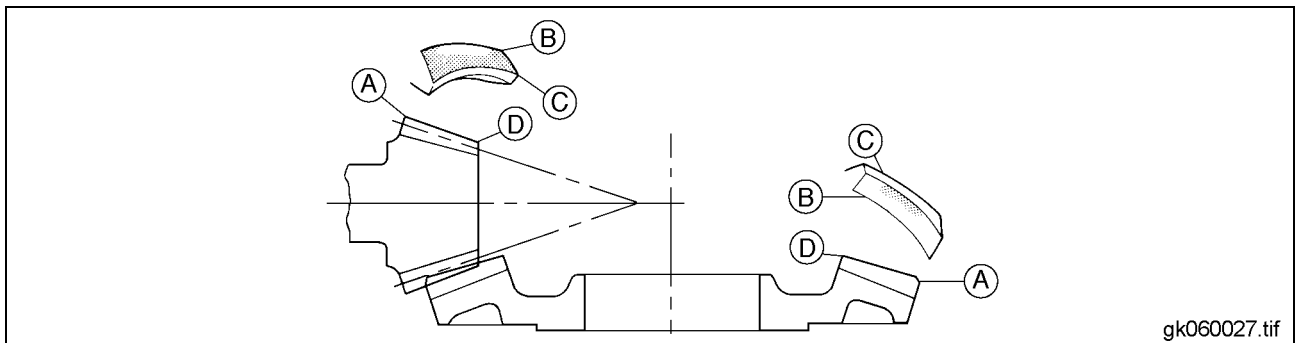
Final Gear Case and Oil

Correct Tooth Contact Pattern: No adjustment is required.



A. Heel B. Bottom C. Top D. Toe

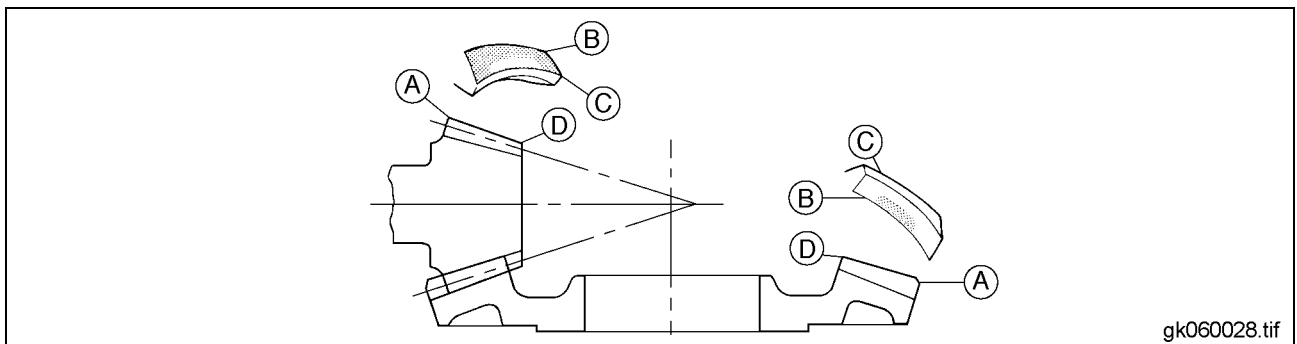
Incorrect Tooth Contact Patterns (Example 1)



○ Decrease the thickness of the pinion gear shim(s) by **0.05 mm (0.002 in.)** to correct the pattern shown above.

A. Heel B. Bottom C. Top D. Toe

Incorrect Tooth Contact Patterns (Example 2)



○ Increase the thickness of the pinion gear shim(s) by **0.05 mm (0.002 in.)** to correct the pattern shown above.

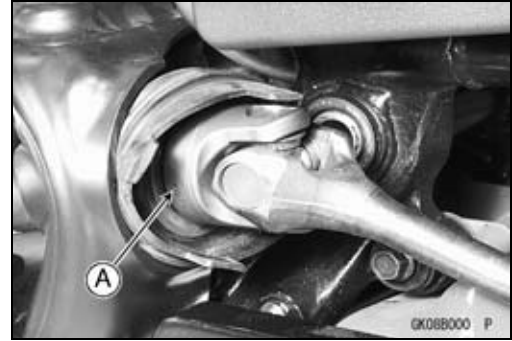
A. Heel B. Bottom C. Top D. Toe

11-24 FINAL DRIVE

Propeller Shaft

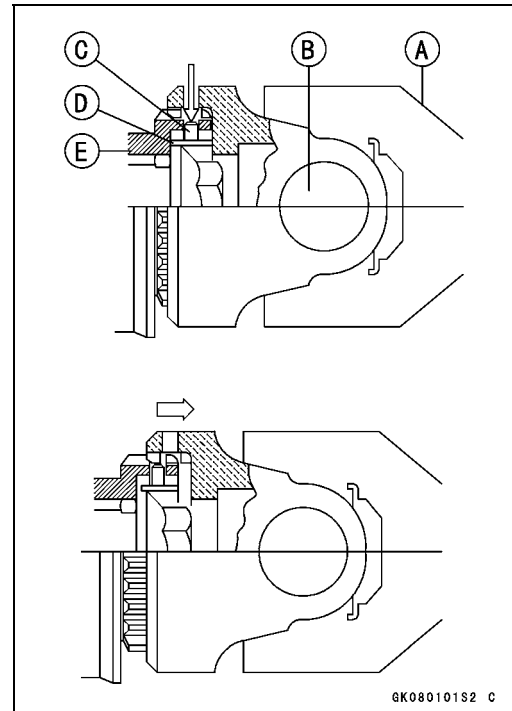
Propeller Shaft Removal

- Remove:
 - Final Gear Case (see this chapter)
 - Swingarm (see Suspension chapter)
- Remove the propeller shaft from the front driven gear joint.
- Turn the propeller shaft so that the lockpin access hole [A] in the propeller shaft comes outside.

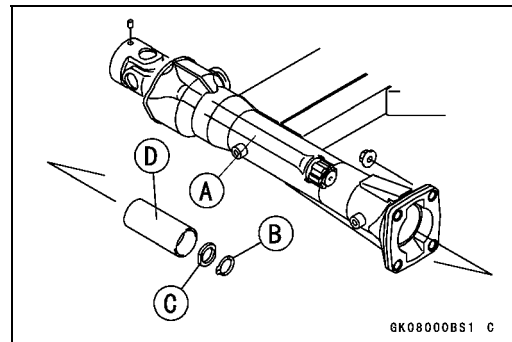


- Move back the propeller shaft and slip the propeller shaft off the driven gear joint while pushing on the lockpin.

- Propeller Shaft [A]
- Universal Joint [B]
- Lockpin [C]
- Spring [D]
- Driven Gear Joint [E]

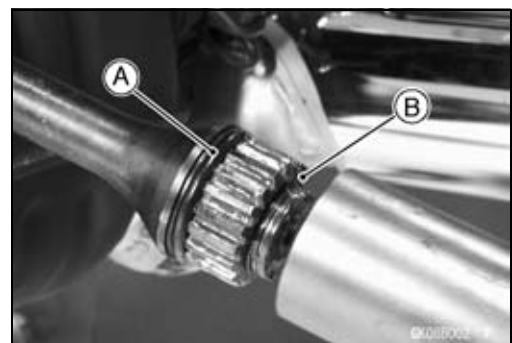


- Remove the circlip [B] from the rear end of the propeller shaft [A] using a circlip pliers.
- Special Tool - Outside Circlip Pliers: 57001-144**
- Remove the washer [C] and pull out the propeller shaft sliding joint [D].



Propeller Shaft Installation

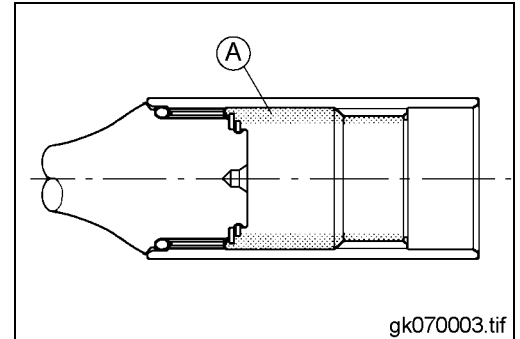
- Replace the O-ring [A] and circlip [B].
- Apply grease to the O-ring.
- Lubricate the propeller shaft joint (see Periodic Maintenance chapter).
- After connecting the propeller shaft to the driven gear joint, pull the propeller shaft rearward to check that the shaft is secured in place by the lockpin.



Propeller Shaft

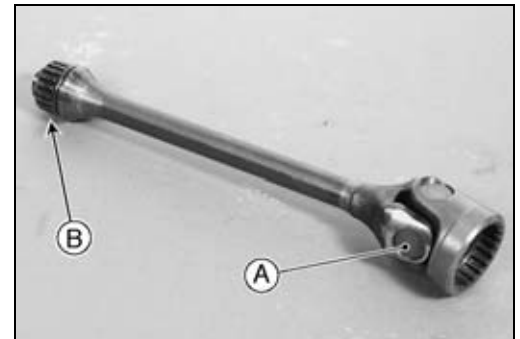
Propeller Shaft Joint Lubrication

- Remove the final gear case and propeller shaft joint (see Final Drive chapter).
- Wipe the old grease off the propeller shaft sliding joint and pinion joint.
- Pack the propeller shaft sliding joint with 20 mL (16 grams) of high temperature grease [A].



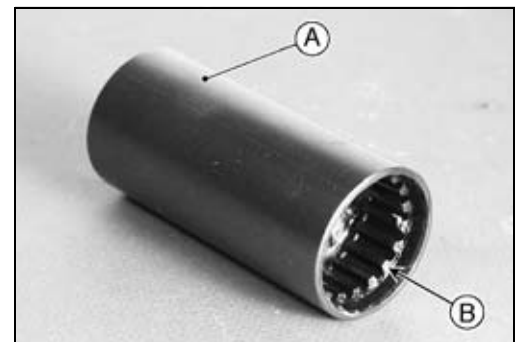
Propeller Shaft Inspection

- Check that the universal joint [A] works smoothly without rattling or sticking.
- ★ If it does not work smoothly, the needle bearings of the universal joint are damaged. Replace the propeller shaft assy with a new one.
- Visually inspect the bearing of the shaft and the wear of the splines [B] at the rear end of the shaft.
- ★ If it is bent at all, replace the propeller shaft assy. Do not attempt to straighten a bent shaft.



Sliding Joint Inspection

- Visually inspect the internal splines [B] of the propeller shaft sliding joint [A].
- ★ If they are badly worn or chipped, replace the joint with a new one.

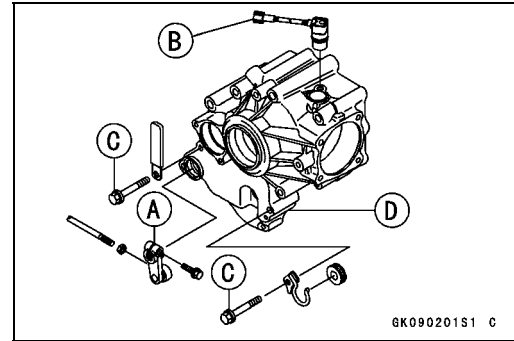


11-26 FINAL DRIVE

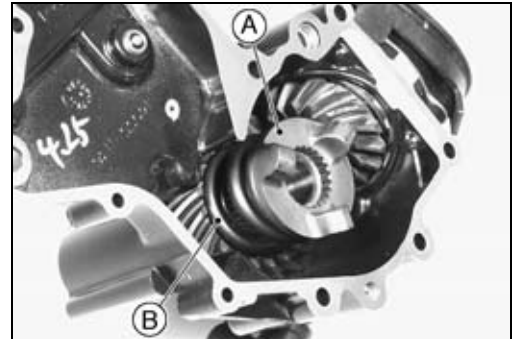
Front Bevel Gears

Front Gear Case Removal

- Remove:
 - Engine (see Engine Removal/Installation chapter)
 - Rear Shift Lever [A]
- The speed sensor connector [B] is disconnected during engine removal.
- Unscrew the front gear case bolts [C] and remove the front gear case [D].



- The cam follower [A] and the damper spring [B] come off with the gear case.
- Check that the shift shaft oil seal and replace it if damaged.



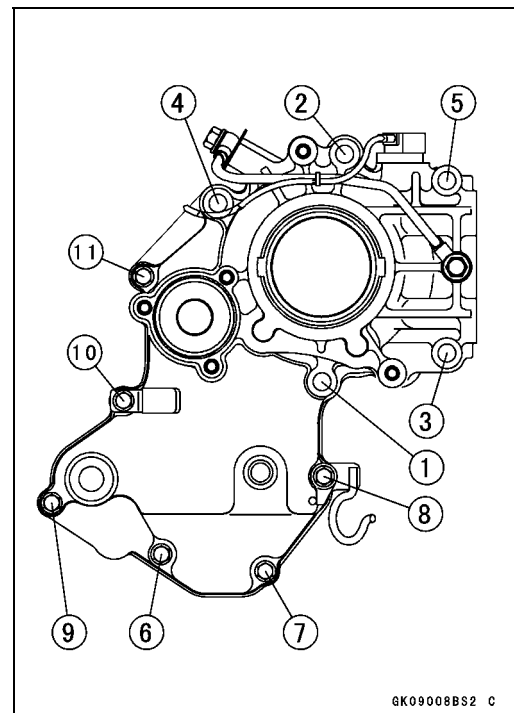
Front Gear Case Installation

- Tighten the front gear case bolts as follows.
- Tighten the bolt [1] and bolt [2] alternately until contact to the mating surface of the left crankcase.
- Tighten the bolts in the order shown.

Torque - Front Gear Case Bolts:

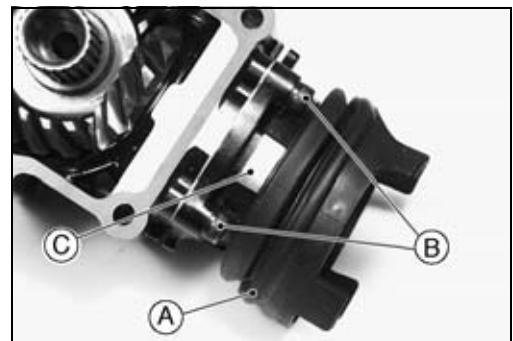
M8: 29 N·m (3.0 kgf·m, 21 ft·lb)

M6: 12 N·m (1.2 kgf·m, 104 in·lb)



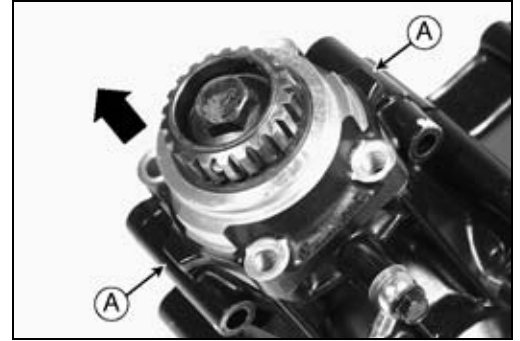
Front Gear Case Disassembly

- Remove:
 - Front Gear Case (see this chapter)
 - Cam Follower
 - Damper Spring
 - Rubber Boot [A]
- Remove the driven gear assembly mounting bolts [B] and pry the assembly [C] off the case.

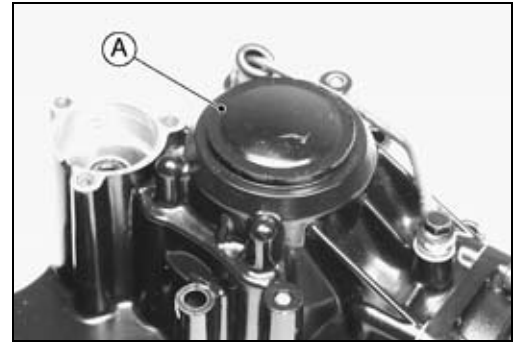


Front Bevel Gears

○Raise the driven gear, using the following pry points [A].



- Remove the drive gear assy as follows.
- Pry off the gear case cap [A] with a tool.



○ Pry open the drive gear nut [A] with a small chisel.

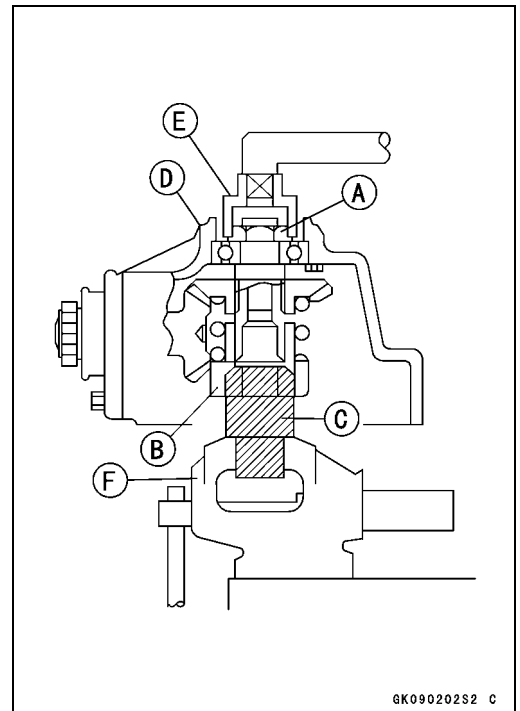
○ Install:

- Damper Spring
- Cam Follower [B]

○ Unscrew the drive gear nut while holding the drive gear shaft with the drive shaft holder [C] (special tool).

- Front Gear Case [D]
- Socket Wrench [E]
- Vise [F]

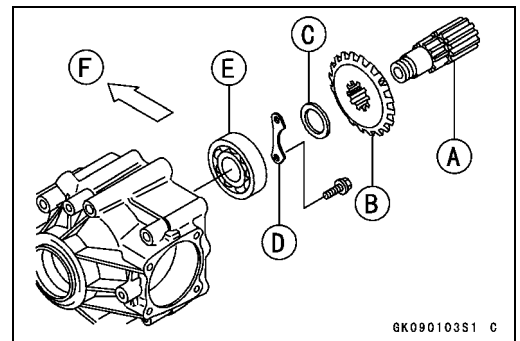
Special Tool - Drive Shaft Holder: 57001-1407



GK09020232 C

- Pull off the drive gear shaft [A], the drive gear [B], and shim(s) [C].
- Remove the bearing holder [D] from the gear case.
- Remove the drive gear shaft ball bearing [E] using the bearing driver set.
- Front [F]

Special Tool - Bearing Driver Set: 57001-1129



GK09010351 C

11-28 FINAL DRIVE

Front Bevel Gears

Front Gear Case Assembly

○The drive and driven gear are lapped as a set in the factory to get the best tooth contact. They must be replaced as a set.

● Press the drive gear [B] slowly with the bearing driver [A] onto the shaft [C].

Special Tool - Bearing Driver, ϕ 32: 57001-382

● Apply a non-permanent locking agent to the bearing retainer bolts.

● Tighten:

Torque - Bearing Retainer Bolts: 8.8 N·m (0.90 kgf·m, 78 in·lb)

● Be sure to check and adjust the bearing preload, the bevel gear backlash, and tooth contact, when any of the backlash-related parts are replaced (see Front Bevel Gear Adjustment).

● After completing all adjustment, reassemble the front gear case.

○Replace the drive gear nut with a new one.

○Apply molybdenum disulfide oil to the threads and seating surface of the nut, and tighten it to the specified torque to settle the bearings in place.

○Loosen the nut completely and retighten it to the specified torque.

Torque - Drive Gear Nut: 265 N·m (27 kgf·m, 195 ft·lb)

○Stake the nut to secure it in place.

CAUTION

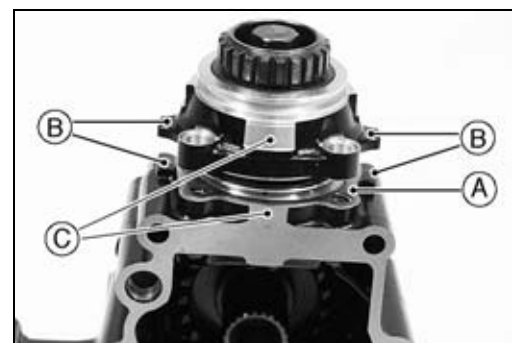
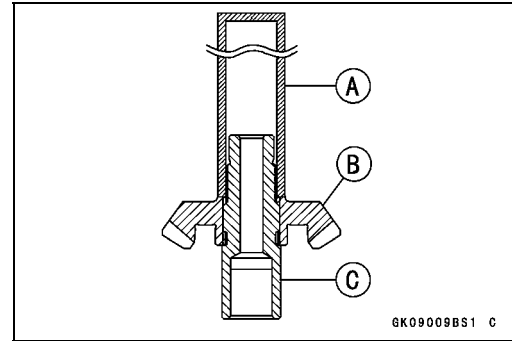
When staking the nut, be careful not to apply shock to the shaft and its bearing. Such a shock could damage the shaft and/or bearing.

● Install the shim [A].

● Install the driven gear assy so that the pry ribs [B] and machined surfaces [C] align.

● Tighten the driven gear assy mounting bolts to the specified torque.

Torque - Driven Gear Assy Mounting Bolts: 25 N·m (2.5 kgf·m, 18 ft·lb)



Front Bevel Gears

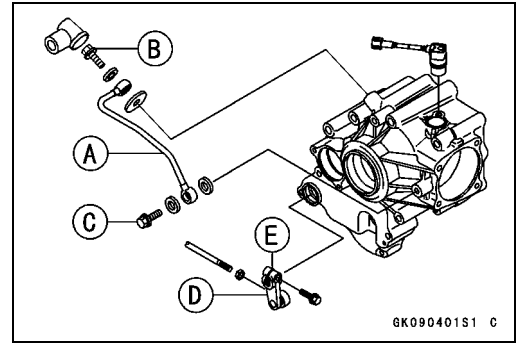
★ If the oil pipe [A] was removed, use a new flat washer on each side of the fittings, and tighten the banjo bolts to the specified torque.

- Tighten the front banjo bolt [B] first, then the rear banjo bolt [C].

Torque - Oil Pipe Banjo Bolts: 12 N·m (1.2 kgf·m, 106 in·lb)

- Install the rear shift lever [D], aligning the lever slit [E] with the punch mark of the shaft.
- Tighten:

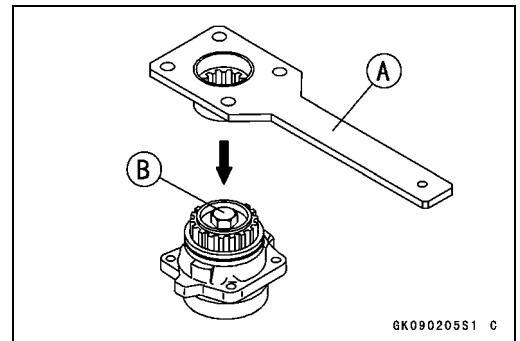
Torque - Rear Shift Lever Clamp Bolt: 12 N·m (1.2 kgf·m, 106 in·lb)



Driven Gear Disassembly

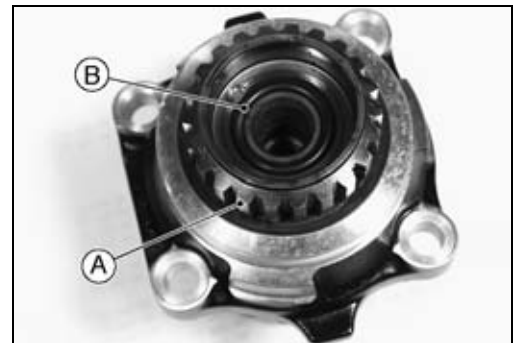
- Holding the driven gear joint with the driven gear holder [A] in a vise, unscrew the driven gear bolt [B].

Special Tool - Driven Gear Holder, m2: 57001-1027



- Remove the driven gear joint [A] with the O-ring [B].
- Remove the driven gear from the bearing housing.
- Remove the oil seal from the housing with a hook, and pull the tapered roller bearing out of the housing.
- Remove the tapered roller bearing which is pressed onto the driven gear shaft with the bearing puller and adapter.

**Special Tools - Bearing Puller: 57001-158
Adapter: 57001-317**



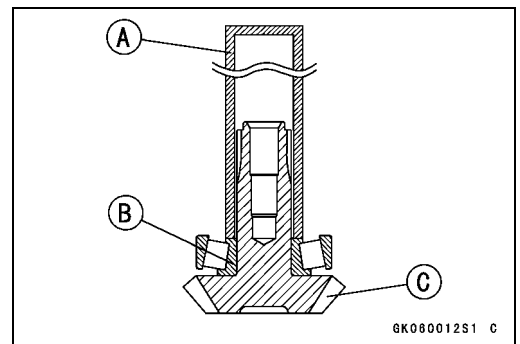
Driven Gear Assembly

- Replace the driven gear bolt with a new one.
- The drive and driven gears are lapped as a set at the factory to get the best tooth contact. They must be replaced as a set.
- Be sure to check and adjust the bearing preload, the bevel gear backlash, and tooth contact (see Front Bevel Gear Adjustment).
- Drive the tapered roller bearing inner race [B] onto the driven gear shaft [C] using the bearing driver [A].

Special Tool - Bearing Driver, φ32: 57001-382

- After completing the bearing preload adjustment, re-assemble the driven gear assy.
- Using the bearing driver set, press the oil seal in until the face of the seal is level with the end of the bearing housing hole.

Special Tool - Bearing Driver Set: 57001-1129



11-30 FINAL DRIVE

Front Bevel Gears

- Apply molybdenum disulfide oil to the threads and the seating surface of the driven gear bolt.
- Tighten the driven gear bolt to the specified torque.
Torque - Driven Gear Bolt: 120 N·m (12 kgf·m, 89 ft·lb)
- Stake [A] the driven gear bolt to prevent it from loosening.

CAUTION

When staking the bolt, be careful not to apply shock to the driven gear and their bearings. Such a shock could damage the driven gear and/or bearings.



Damper Cam Removal

- Remove the front gear case (see this chapter).
- Remove the retainer and needle bearing of the output shaft.
- Remove the clutch push rod guide [A] and bolts, and crankcase bearing upper retainer and bolts.
- Insert a bolt ($\phi 12$ mm, L100 mm, $\phi 0.47$ in., L3.94 in.) [B] into the engine mounting bolt hole.
- Unscrew the damper cam nut [C] using a damper cam holder [D] (special tool) and deep socket wrench.

Special Tool - Damper Cam Holder: 57001-1025



Damper Cam Installation

- Replace the damper cam nut with a new one.
- Remove the clutch push rod guide [A] and bolts, and crankcase bearing lower retainer and bolts.
- Insert the bolt ($\phi 12$ mm, L100 mm $\phi 0.47$ in., L3.94 in.) [B] into the engine mounting bolt hole.
- Apply molybdenum disulfide oil to the threads and the seating surface of the damper cam nut [C].
- Tighten the damper cam nut to the specified torque.

Torque - Damper Cam Nut: 195 N·m (20 kgf·m, 144 ft·lb)

Special Tool - Damper Cam Holder: 57001-1025



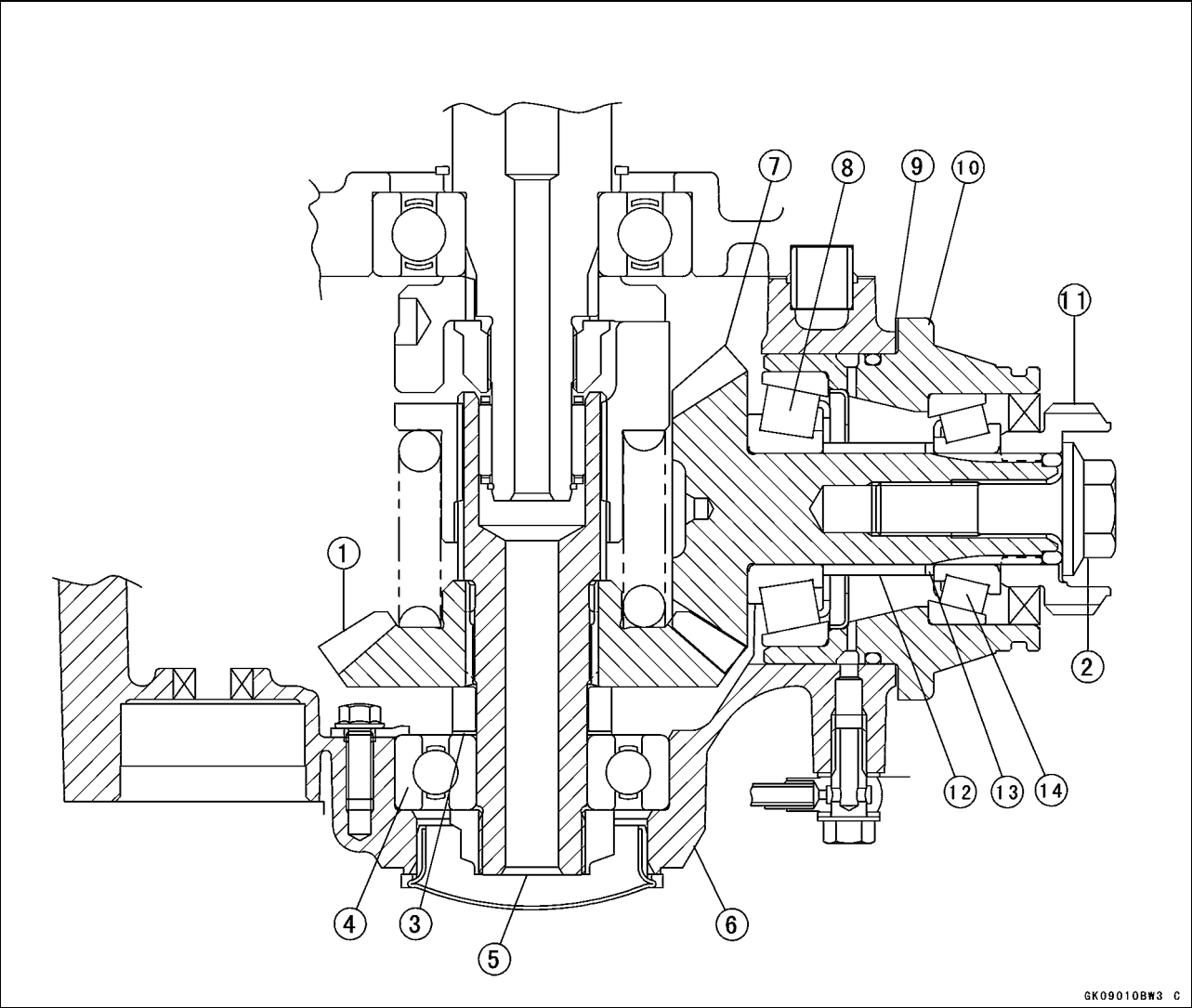
Front Bevel Gears

Front Bevel Gear Adjustment

In order to prevent one gear from moving away from the other gear under load, the tapered roller bearings must be properly **preloaded**. Also the **backlash** (the distance one gear will move back and forth without moving the other gear) and **tooth contact pattern** of the bevel gears must be correct to prevent the gears from making noise and being damaged.

Above three adjustments are of critical importance and must be carried out in the correct sequence and method.

○Preload adjustment is necessary whenever the driven gear bolt [2] loosened, even if the purpose is not to replace the parts.



GK09010B#3 C

Backlash-related Parts

- 1. Drive Gear
- 2. Driven Gear Bolt
- 3. Drive Gear Shim(s)
- 4. Ball Bearing
- 5. Drive Gear Shaft
- 6. Front Gear Case

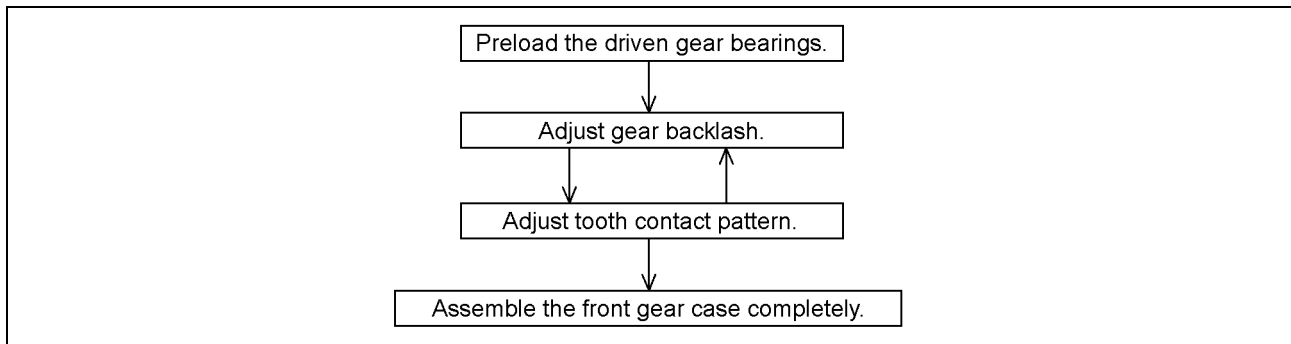
Preload-related Parts

- 7. Driven Gear
- 8. Tapered Roller Bearing
- 9. Driven Gear Shim(s)
- 10. Driven Gear Bearing Housing
- 11. Driven Gear Joint
- 12. Collar (Preload Adjustment)
- 13. Spacer (Preload Adjustment)
- 14. Tapered Roller Bearing

11-32 FINAL DRIVE

Front Bevel Gears

Front Bevel Gear Adjustment



- When any of the backlash-related parts are replaced, or the driven gear bolt is loosened; even if the purpose is not to replace the parts, be sure to check and adjust the bearing preload, the bevel gear backlash, and tooth contact by replacing shims.

Preload Adjustment

- Install the driven gear assy, and tighten the driven gear nut to the specified torque.

Torque - Driven Gear Bolt: 120 N·m (12 kgf·m, 89 ft·lb)

- Do not install the oil seal, and O-ring, and do not stake the bolt until the correct bearing preload is obtained.

CAUTION

To start with, choose a shim or collar so that the bearings are just SNUG with NO play and also with NO preload. Any overpreload on the bearings could damage the bearings.

- Apply a little engine oil to the bearings, and turn the gear shaft more than 5 turns to allow the bearings to seat.
- Measure the bearing preload. Bearing preload is defined as a force or torque which is needed to start the gear shaft turning.

Preload for Driven Gear Bearing

Using Spring Scale:

3 ~ 4 N (0.3 ~ 0.5 kg, 0.6 ~ 1.0 lb)

Using Torque Wrench:

0.5 ~ 0.9 N·m (0.05 ~ 0.09 kgf·m, 4.3 ~ 7.8 in·lb)

NOTE

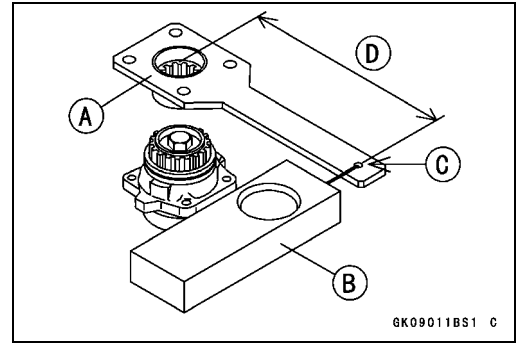
- Preload can be measured either with a spring scale or a beam-type torque wrench. When measured with a spring scale, the preload is designated by force (N, kg, lb), and when measured with a torque wrench, it is designated by torque (N·m, kgf·m, in·lb).

Front Bevel Gears

Preload Measurement with Spring Scale

- Hold the bearing housing in a vise so that the gear shaft axis is vertical.
- Hook [C] the spring scale [B] on the driven gear holder [A] at a point 200 mm (7.87 in.) [D] apart from the center of the gear shaft.
- Apply force to the handle horizontally and at a right angle to it.

Special Tool - Driven Gear Holder, m2: 57001-1027



- ★ If the preload is out of specified range, replace the bearing collar and/or spacer. To increase preload, decrease the stack length of the collar and spacer. To decrease preload, increase the stack length of the collar and spacer.
- ★ Change the stack length a little at a time.
- Recheck the bearing preload, and readjust if necessary.

Collars for Preload Adjustment

Length (mm)	Part Number
22.8 (0.898 in.)	92027-1152
22.9 (0.902 in.)	92027-1153
23.0 (0.906 in.)	92027-1154
23.1 (0.909 in.)	92027-1155
23.2 (0.913 in.)	92027-1156
23.3 (0.917 in.)	92027-1157
23.4 (0.921 in.)	92027-1158
23.5 (0.925 in.)	92027-1159
23.6 (0.929 in.)	92027-1160
23.7 (0.933 in.)	92027-1161
23.8 (0.937 in.)	92027-1162
23.9 (0.941 in.)	92027-1163
24.0 (0.945 in.)	92027-1164
24.1 (0.949 in.)	92027-1165

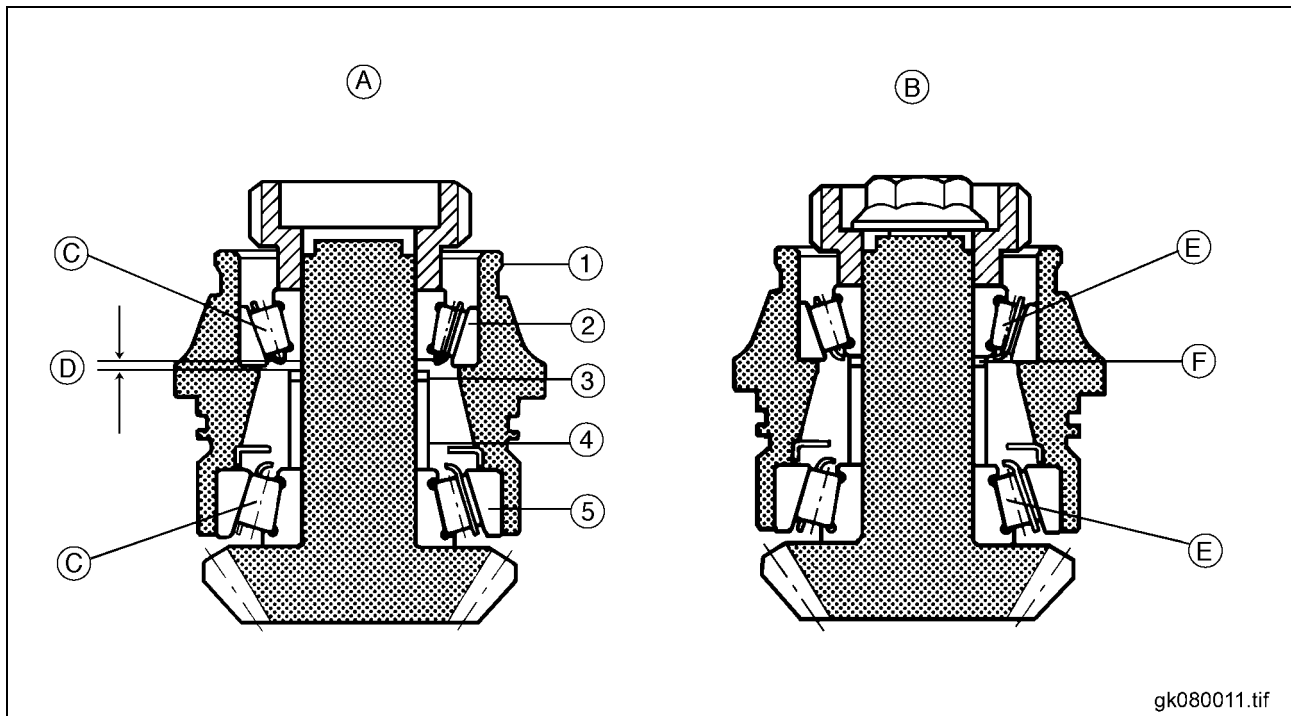
Spacers for Preload Adjustment

Thickness (mm)	Part Number
1.70 (0.0669 in.)	92025-1072
1.72 (0.0677 in.)	92025-1073
1.74 (0.0685 in.)	92025-1074
1.76 (0.0693 in.)	92025-1075
1.78 (0.0701 in.)	92025-1076
1.80 (0.0709 in.)	92025-1077

11-34 FINAL DRIVE

Front Bevel Gears

Bearing Preloading Mechanism



1. Bearing Housing

2. Tapered Roller Bearing

A. Before Tightening

B. After Tightening

3. Spacer

4. Collar

C. Under No Preload

D. Initial Clearance

5. Tapered Roller Bearing

E. Under Preload

F. No Clearance

Backlash Adjustment

- Clean any dirt and oil off bevel gear teeth with a high-flash point solvent.
- Install the drive gear with the primary shim (1.0 mm, 0.04 in., thickness), and tighten the nut to the specified torque.

Torque - Drive Gear Nut: 265 N·m (27 kgf·m, 195 ft·lb)

NOTE

○Do not stake the head of the nut until both backlash and tooth contact adjustments are finished.

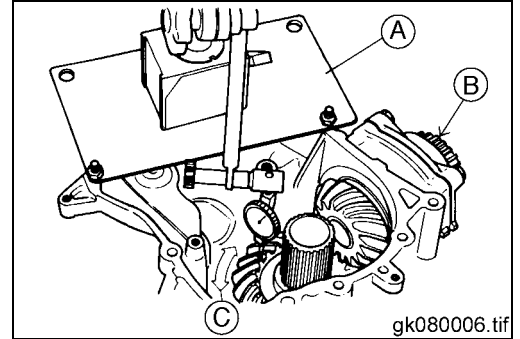
- Install the driven gear assy in the front gear case with the primary shim (1.0 mm, 0.04 in., thickness), and tighten the mounting bolts to the specified torque.

Torque - Driven Gear Assy Mounting Bolts: 25 N·m (2.5 kgf·m, 18 ft·lb)

- Check backlash during tightening of the mounting bolts, and stop tightening them immediately if the backlash disappears. Then, change the shim to a thicker one.

Front Bevel Gears

- Install a holder [A] with 6 mm bolts and nuts on the front gear case to mount a dial gage.
- Set up a dial gage against a drive gear tooth to check gear backlash. The gage stem must be in line with the direction of tooth travel.
- To measure the backlash, move the drive gear back and forth [C] while holding [B] the driven gear steady with a tool. The difference between the highest and lowest gage readings is the amount of backlash.
- ★ If the backlash is not within the limit, replace the gear shim(s) at the drive and/or driven gear. To increase backlash, increase the thickness of the shim(s). To decrease backlash, decrease the thickness of the shim(s).
- ★ Change the thickness a little at a time.
- Recheck the backlash, and readjust as necessary.



NOTE

○ It is OK to pack two shims. Do not pack three or more shims.

Front Bevel Gear Backlash (at the gear tooth)
 0.10 ~ 0.15 mm (0.039 ~ 0.0059 in.)

Shims for Drive Gear

Thickness (mm)	Parts Number
0.15 (0.0059 in.)	92025-1688
0.5 (0.02 in.)	92025-1689
0.6 (0.023 in.)	92025-1690
0.7 (0.028 in.)	92025-1691
0.8 (0.031 in.)	92025-1692
0.9 (0.035 in.)	92025-1693
1.0 (0.039 in.)	92025-1694
1.1 (0.043 in.)	92025-1695
1.2 (0.047 in.)	92025-1696

Shims for Driven Gear

Thickness (mm)	Parts Number
0.1 (0.039 in.)	92025-1826
0.15 (0.0059 in.)	92025-1818
0.5 (0.02 in.)	92025-1819
0.6 (0.023 in.)	92025-1820
0.7 (0.028 in.)	92025-1821
0.8 (0.031 in.)	92025-1822
0.9 (0.035 in.)	92025-1823
1.0 (0.039 in.)	92025-1824
1.2 (0.047 in.)	92025-1825

Tooth Contact Adjustment

- Clean any dirt and oil off the bevel gear teeth with a high-flash point solvent.
- Apply checking compound to 4 or 5 teeth on the driven gear.

NOTE

- Apply checking compound to the teeth in a thin, even coat with a fairly stiff paint brush. If painted too thickly, the exact tooth pattern may not appear.
- The checking compound must be smooth and firm, with the consistency of tooth paste.
- Special compounds are available from automotive supply stores for the purpose of checking differential gear tooth patterns and contact. Use this for checking the bevel gears.

11-36 FINAL DRIVE

Front Bevel Gears

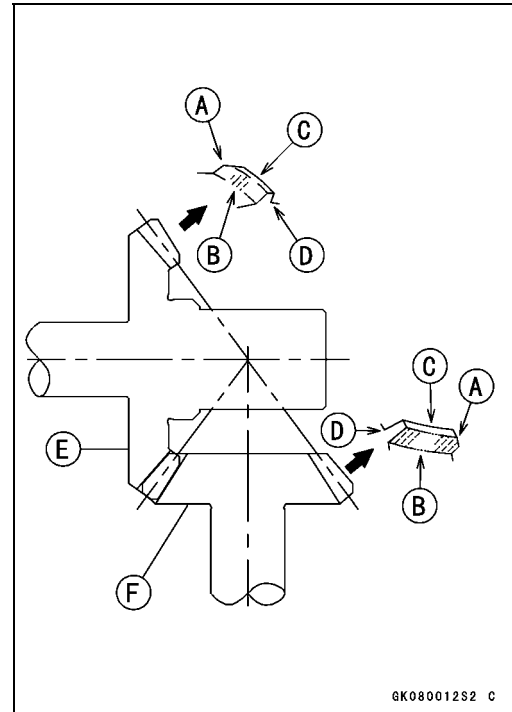
- Turn the driven gear for 3 or 4 revolutions in the drive and reverse (coast) directions, while creating a drag on the drive gear.
 - Check the drive pattern and coast pattern of the bevel gear teeth. The tooth contact patterns of both drive and coast sides should be centrally located between the top and bottom of the tooth, and little closer to the toe of the tooth.
- ★ If the tooth contact pattern is incorrect, replace the shim(s) at the driven gear and shim(s) at the driven gear, following the examples shown. Then erase the tooth contact patterns, and check them again. Also check the backlash every time the shims are replaced. Repeat the shim change procedure as necessary.

NOTE

○ If the backlash goes out of standard range after changing shims, correct the backlash before checking the tooth contact pattern.

○ It is OK to pack two shims. Do not pack three or more shims.

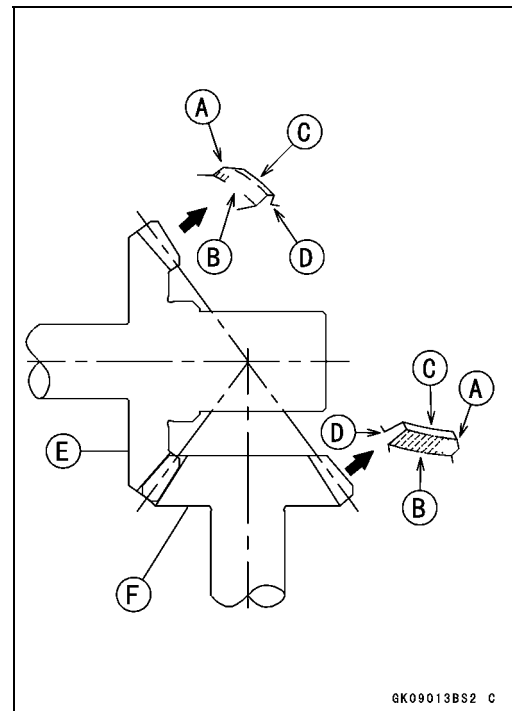
- Heel [A]
- Bottom [B]
- Top [C]
- Toe [D]
- Drive Gear [E]
- Driven Gear [F]



Incorrect Tooth Contact Patterns (Example 1)

- Increase the thickness of the drive gear shim(s) by 0.05 mm (0.002 in.), and/or increase the thickness of the driven gear shim(s) by 0.05 mm (0.002 in.) to correct the pattern shown below. Repeat in 0.05 mm (0.002 in.) steps if necessary.

- Heel [A]
- Bottom [B]
- Top [C]
- Toe [D]
- Drive Gear [E]
- Driven Gear [F]

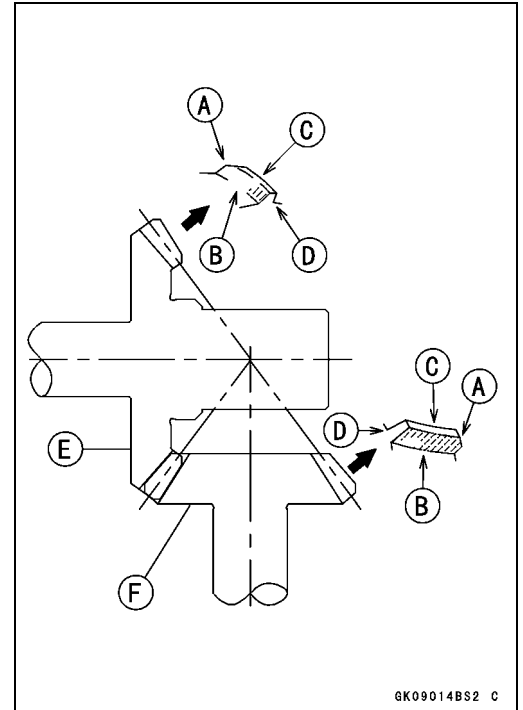


Front Bevel Gears

Incorrect Tooth Contact Patterns (Example 2)

- Decrease the thickness of the drive gear shim(s) by 0.05 mm (0.002 in.), and/or decrease the thickness of the driven gear shim(s) by 0.05 mm (0.002 in.) to correct the pattern shown below. Repeat in 0.05 mm (0.002 in.) steps if necessary.

- Heel [A]
- Bottom [B]
- Top [C]
- Toe [D]
- Drive Gear [E]
- Driven Gear [F]

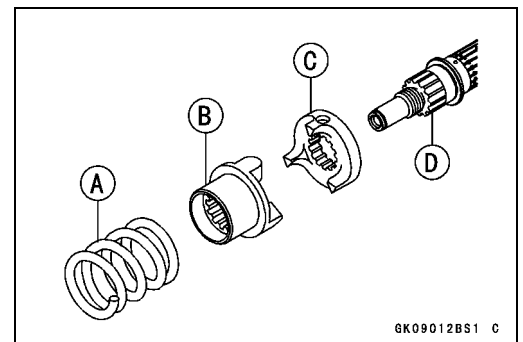


Bevel Gear Inspection

- Visually check the bevel gears for scoring, chipping, or other damage.
- ★ Replace the bevel gears as a set if either gear is damaged.

Cam Damper Inspection

- Visually inspect the spring [A], cam follower [B], damper cam [C], and output shaft [D].
- ★ Replace the damaged parts.



11-38 FINAL DRIVE

Bearing and Oil Seal

Ball or Needle Bearing Replacement

- Using the bearing driver set or the oil seal & bearing remover, remove the bearings.

Special Tools - Oil Seal & Bearing Remover: 57001-1058

Bearing Driver Set: 57001-1129

NOTE

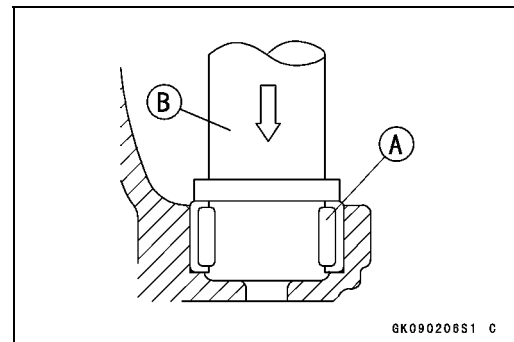
○ In the absence of the above mentioned tools, satisfactory results may be obtained by heating the case to approximately 93°C (200°F) max., and tapping the bearing in or out.

CAUTION

Do not heat the case with a blowtorch. This will warp the case. Soak the case in oil and heat the oil.

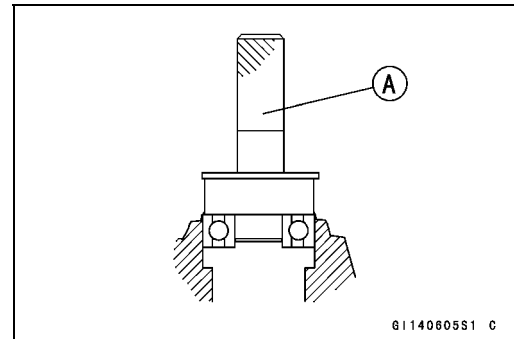
- Install a new needle bearing [A] with the marked side facing out until it bottoms out, using the bearing driver set [B]. This prevents bearing damage.

Special Tool - Bearing Driver Set: 57001-1129



- Using a press and the bearing driver set [A], install a new ball bearing until it stops at the bottom of the case.

Special Tool - Bearing Driver Set: 57001-1129

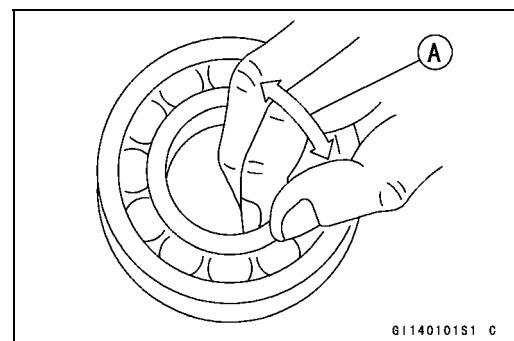


Ball Bearing Wear

CAUTION

Do not remove the bearings for inspection. Removal may damage them.

- Check the ball bearings.
- Since the ball bearings are made to extremely close tolerances, the wear must be judged by feel rather than measurement. Clean each bearing in a high-flash point solvent, dry it (do not spin the bearing while it is dry), and oil it with engine oil.
- Spin [A] the bearing by hand to check its condition.
- ★ If the bearing is noisy, does not spin smoothly, or has any rough spots, replace it.



Bearing and Oil Seal

Tapered Roller Bearing Inspection

CAUTION

Do not remove the tapered roller bearing for inspection. Removal may damage them.
--

- Visually inspect the bearing in the front and final gear cases for abrasion, color change, or other damage.
- ★ If there is any doubt as to the condition of the bearing, replace it.

Needle Bearing Inspection

CAUTION

Do not remove the needle bearing in the final gear case for inspection. Removal may damage them.

- Check the needle bearings in the front and final gear cases.
- The rollers in the needle bearing normally wear very little, and wear is difficult to measure. Instead of measuring, inspect the bearing for abrasion, color change, or other damage.
- ★ If there is any doubt as to the condition of a needle bearing, replace it.

Oil Seal Inspection

- Inspect the oil seals.
- ★ Replace it if the lips are misshapen, discolored (indicating that the rubber has deteriorated), hardened or otherwise damaged.

Brakes

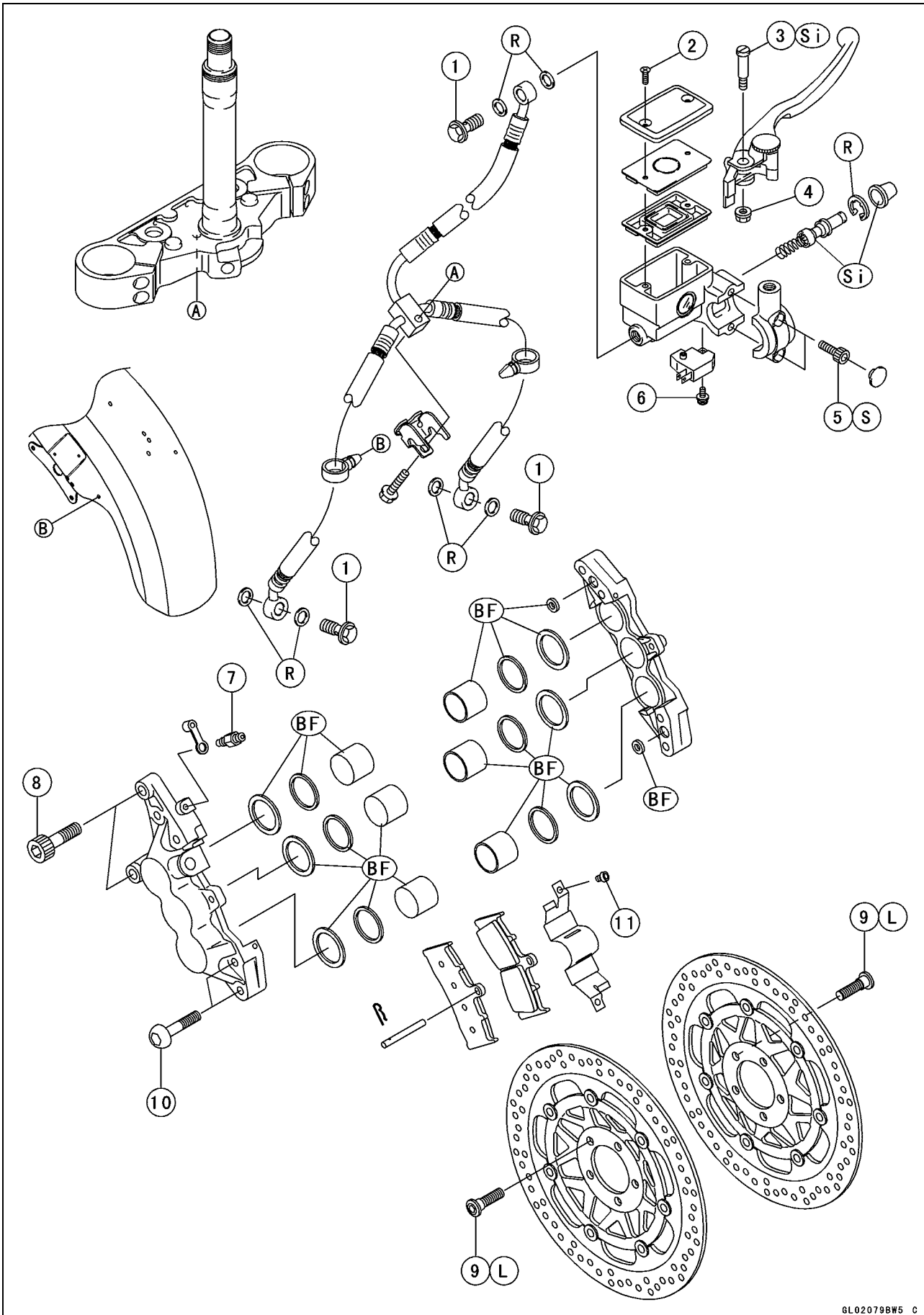
Table of Contents

Exploded View	12-2	Rear Brake Pad Removal	12-21
Specifications	12-8	Rear Brake Pad Installation	12-22
Special Tool	12-9	Brake Pad Wear Inspection	12-22
Brake Lever, Brake Pedal.....	12-10	Master Cylinder	12-23
Brake Lever Position Adjustment.	12-10	Front Master Cylinder Removal ...	12-23
Brake Pedal Position Adjustment.	12-10	Front Master Cylinder Installation	12-23
Brake Pedal Removal	12-11	Rear Master Cylinder Removal....	12-24
Brake Pedal Installation	12-12	Rear Master Cylinder Installation.	12-25
Calipers	12-13	Front Master Cylinder	
Front Caliper Removal	12-13	Disassembly.....	12-25
Rear Caliper Removal.....	12-13	Rear Master Cylinder	
Caliper Installation	12-14	Disassembly.....	12-26
Front Caliper Disassembly.....	12-14	Master Cylinder Assembly	12-26
Front Caliper Assembly.....	12-15	Master Cylinder Inspection	12-27
Rear Caliper Disassembly	12-16	Brake Discs	12-28
Rear Caliper Assembly	12-17	Brake Disc Removal	12-28
Caliper Fluid Seal Damage	12-18	Brake Disc Installation	12-28
Caliper Dust Seal/Friction Boot		Brake Disc Wear	12-28
Damage.....	12-18	Brake Disc Warp	12-28
Caliper Piston and Cylinder		Brake Fluid	12-29
Damage.....	12-18	Brake Fluid Level Inspection.....	12-29
Caliper Holder Shaft Wear	12-19	Brake Fluid Change	12-29
Brake Pads	12-20	Brake Line Bleeding.....	12-29
Front Brake Pad Removal.....	12-20	Brake Hoses	12-32
Front Brake Pad Installation.....	12-21	Brake Hose Removal/Installation.	12-32

12-2 BRAKES

Exploded View

VN1600-B1



Exploded View

No.	Fastener	Torque			Remarks
		N·m	kgf·m	ft·lb	
1	Brake Hose Banjo Bolts	34	3.5	25	
2	Front Brake Reservoir Cap Screws	1.5	0.15	13 in·lb	
3	Brake Lever Pivot Bolt	1.0	0.10	8.9 in·lb	Si
4	Brake Lever Pivot Bolt Locknut	5.9	0.60	52 in·lb	
5	Front Master Cylinder Clamp Bolts	8.8	0.90	78 in·lb	S
6	Front Brake Light Switch Screw	1.2	0.12	11 in·lb	
7	Caliper Bleed Valves	7.8	0.80	69 in·lb	
8	Front Caliper Mounting Bolts	34	3.5	25	
9	Brake Disc Bolts	27	2.8	20	L
10	Front Caliper Assembly Bolts	21	2.1	15	
11	Front Brake Pad Spring Bolts	2.9	0.30	26 in·lb	

BF: Apply brake fluid.

L: Apply a non-permanent locking agent.

R: Replacement Parts

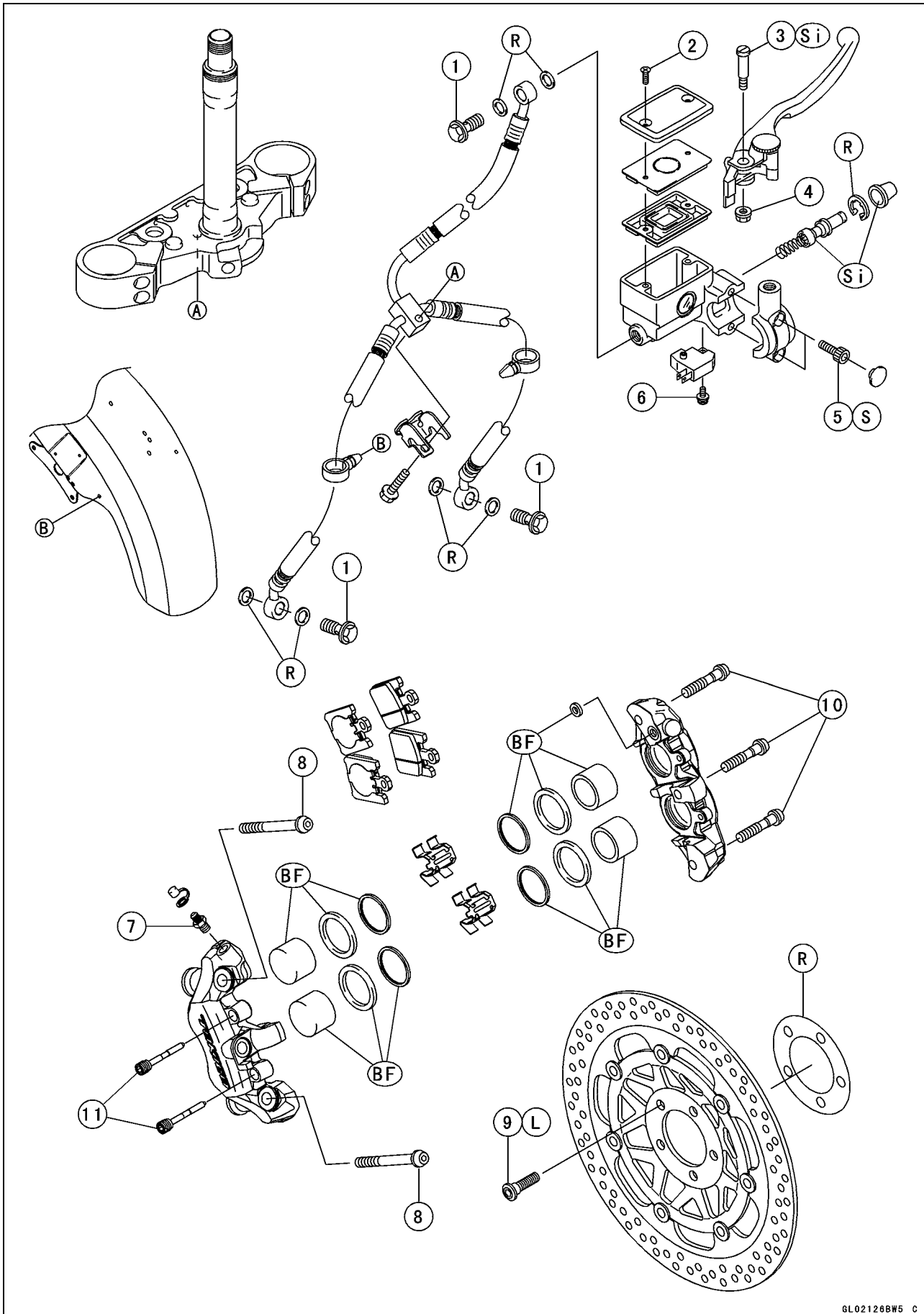
S: Follow the specific tightening sequence.

Si: Apply silicone grease or PBC grease.

12-4 BRAKES

Exploded View

VN1600-B2 ~



Exploded View

No.	Fastener	Torque			Remarks
		N·m	kgf·m	ft·lb	
1	Brake Hose Banjo Bolts	34	3.5	25	
2	Front Brake Reservoir Cap Screws	1.5	0.15	13 in·lb	
3	Brake Lever Pivot Bolt	1.0	0.10	8.9 in·lb	Si
4	Brake Lever Pivot Bolt Locknut	5.9	0.60	52 in·lb	
5	Front Master Cylinder Clamp Bolts	8.8	0.90	78 in·lb	S
6	Front Brake Light Switch Screw	1.2	0.12	11 in·lb	
7	Caliper Bleed Valves	7.8	0.80	69 in·lb	
8	Front Caliper Mounting Bolts	34	3.5	25	
9	Brake Disc Bolts	27	2.8	20	L
10	Front Caliper Assembly Bolts	22	2.2	16	
11	Front Brake Pad Pins	15	1.5	11	

BF: Apply brake fluid.

L: Apply a non-permanent locking agent.

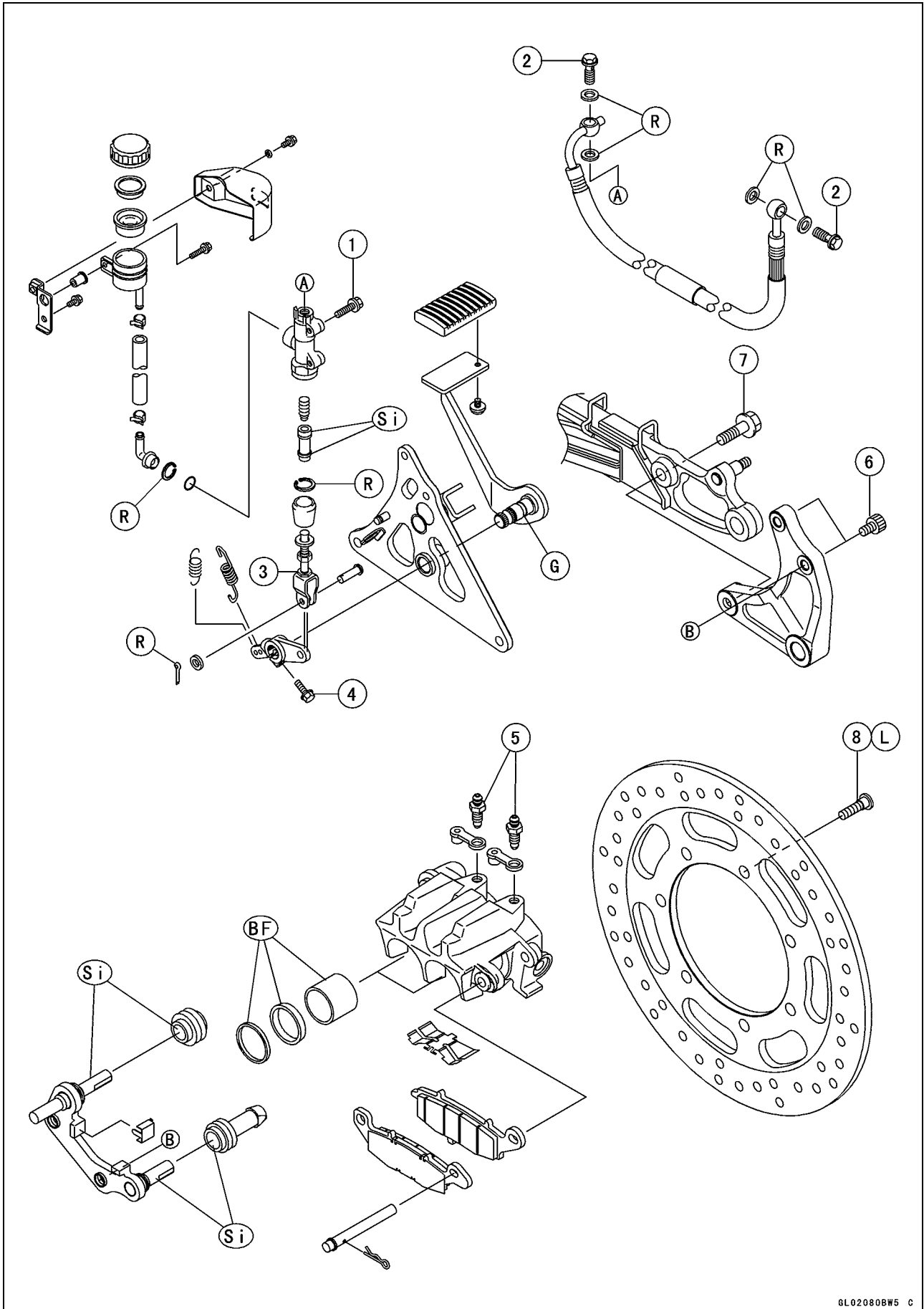
R: Replacement Parts

S: Follow the specific tightening sequence.

Si: Apply silicone grease or PBC grease.

12-6 BRAKES

Exploded View



Exploded View

No.	Fastener	Torque			Remarks
		N·m	kgf·m	ft·lb	
1	Rear Master Cylinder Mounting Bolts	25	2.5	18	
2	Brake Hose Banjo Bolts	34	3.5	25	
3	Rear Master Cylinder Push Rod Locknut	18	1.8	13	
4	Brake Pedal Clamp Bolt	25	2.5	18	
5	Caliper Bleed Valves	7.8	0.80	69 in·lb	
6	Rear Caliper Mounting Bolts	34	3.5	25	
7	Rear Caliper Holder Bolt	64	6.5	47	
8	Brake Disc Bolts	27	2.8	20	L

BF: Apply brake fluid.

G: Apply grease.

L: Apply a non-permanent locking agent.

R: Replacement Parts

Si: Apply silicone grease or PBC grease.

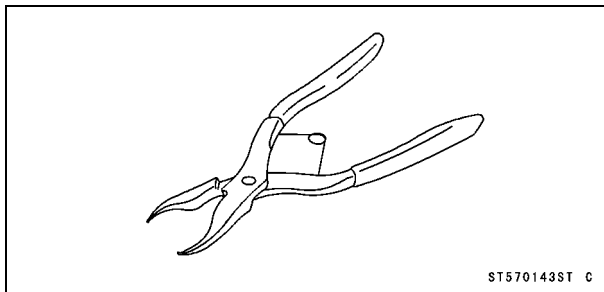
12-8 BRAKES

Specifications

Item	Standard	Service Limit
Brake Lever, Brake Pedal Brake Lever Position Brake Lever Free Play Pedal Free Play Pedal Position	No.1 Non-adjustable Non-adjustable About 110 mm (4.33 in.) (height from pedal top to footpeg top)	5-way adjustable - - - - - - - - -
Brake Fluid Grade	DOT4	- - -
Brake Pads Pad lining thickness: Front Rear	4.0 mm (0.157 in.) 7.5 mm (0.295 in.)	1 mm (0.04 in.) 1 mm (0.04 in.)
Brake Discs Thickness: Front Rear Runout	4.8 ~ 5.1 mm (0.19 ~ 0.20 in.) 6.8 ~ 7.2 mm (0.268 ~ 0.283 in.) TIR 0.15 mm (0.0059 in.) or less	4.5 mm (0.18 in.) 6.0 mm (0.24 in.) TIR 0.3 mm (0.01 in.)

Special Tool

**Inside Circlip Pliers:
57001-143**



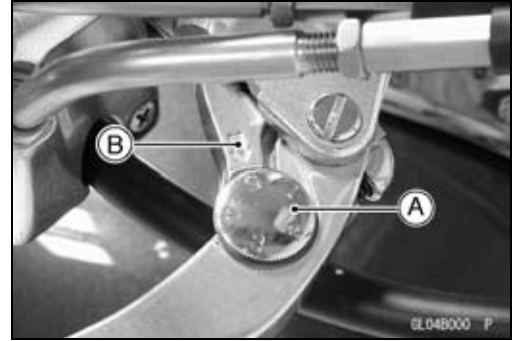
12-10 BRAKES

Brake Lever, Brake Pedal

Brake Lever Position Adjustment

The brake lever adjuster has 5 positions so that the brake lever position can be adjusted to suit the operator's hand.

- Push the lever forward and turn the adjuster [A] to align the number with the arrow mark [B] on the lever holder.
- The distance from the grip to the lever is minimum at number 5 and maximum at number 1.



Brake Pedal Position Adjustment

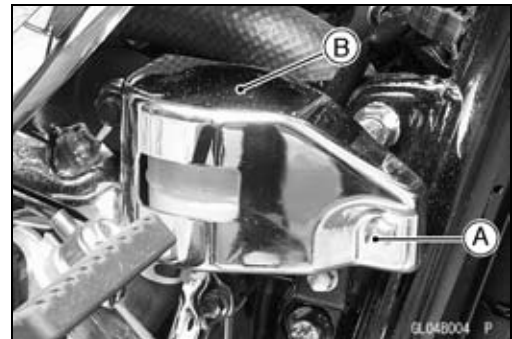
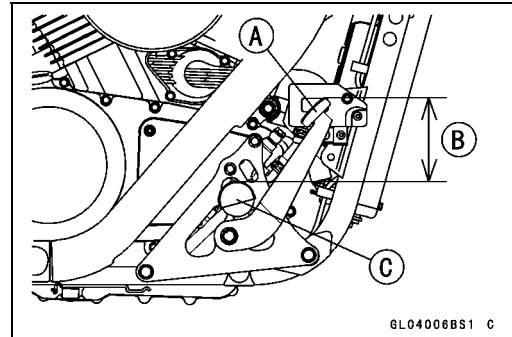
- Check that the brake pedal [A] is in the correct position.

Pedal Position

Standard: About 110 mm (4.33 in.) [B]
(height from pedal top to footpeg top [C])

NOTE

- Usually it's not necessary to adjust the pedal position, but always adjust it when push rod locknut has been loosened.
- If the push rod length cannot be adjusted by turning the clevis, the brake pedal may be deformed or incorrectly installed.
- Unscrew the brake fluid reservoir cover bolt [A] and remove the brake fluid reservoir cover [B].

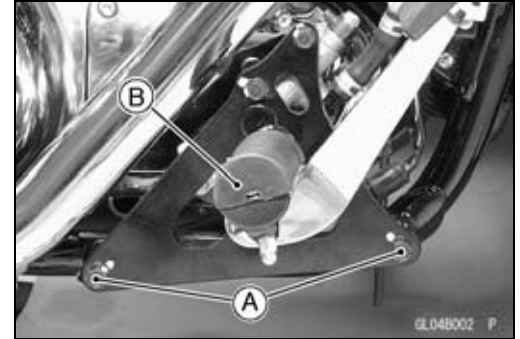


- Unscrew the reservoir bolt [A] and take off the brake fluid reservoir [B].

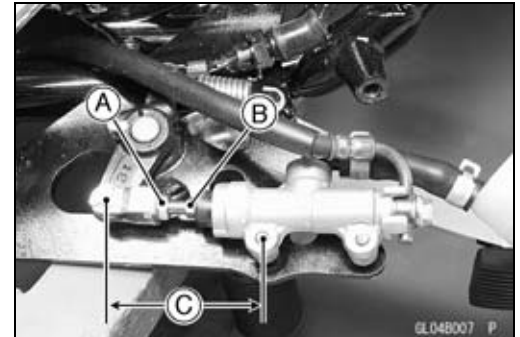


Brake Lever, Brake Pedal

- Remove the right front footpeg bracket bolts [A] and turn over the footpeg [B].

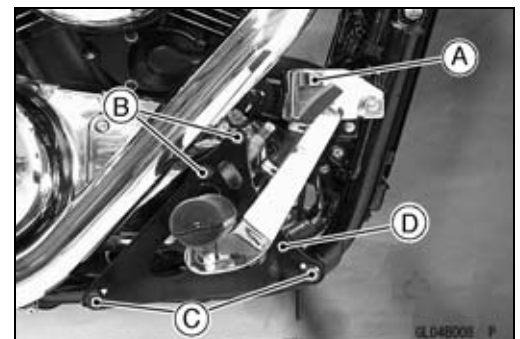


- Loosen the locknut [A] and turn the push rod with the hex head [B] to achieve the correct pedal position.
- ★ If the length [C] is $80 \pm 1 \text{ mm}$ ($3.1 \pm 0.04 \text{ in.}$), the pedal position will be within the standard range.
- Tighten:
 - Torque - Push Rod Locknut: 18 N·m (1.8 kgf·m, 13 ft·lb)**

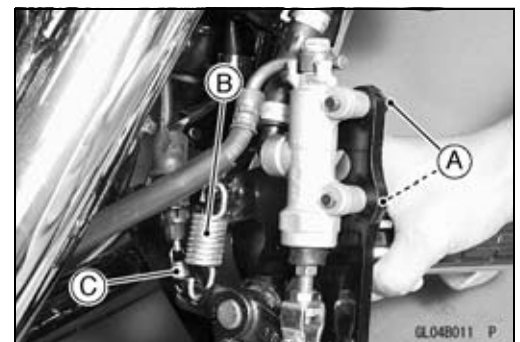


Brake Pedal Removal

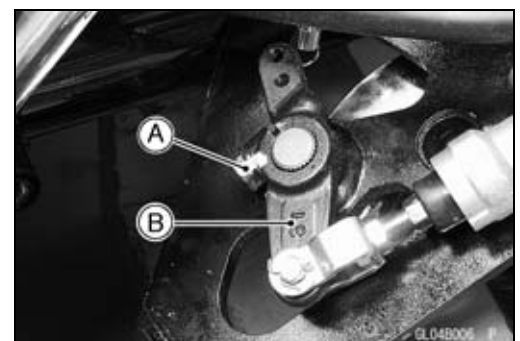
- Remove the brake fluid reservoir [A] (see Brake Pedal Position Adjustment).
- Loosen the rear master cylinder mounting bolts [B].
- Remove the right front footpeg bracket bolts [C], and turn over the footpeg [D].



- Remove:
 - Rear Master Cylinder Mounting Bolts [A]
 - Brake Pedal Return Spring [B]
 - Brake Switch Return Spring [C]



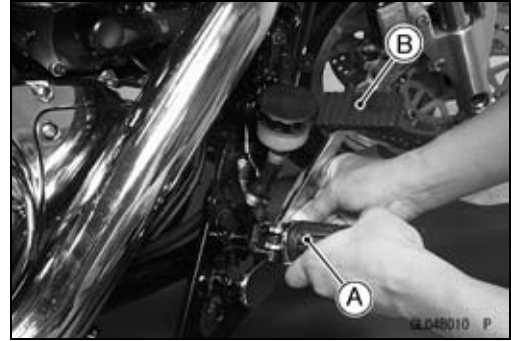
- Unscrew the brake pedal clamp bolt [A].
- Pull out the brake lever [B] with the master cylinder installed.



12-12 BRAKES

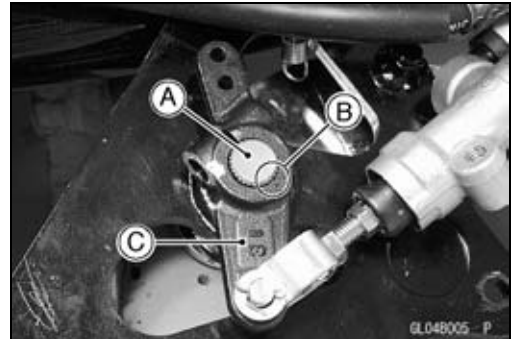
Brake Lever, Brake Pedal

- Pull out the brake pedal [B] from the right footpeg bracket [A].



Brake Pedal Installation

- Apply grease to the brake pedal shaft.
- Install the pedal shaft [A] so that the punched mark on the shaft is aligned [B] with the punched mark on the brake lever [C].
- Install:
 - Brake Pedal Return Spring
 - Brake Switch Return Spring
- Tighten:
 - Torque - Brake Pedal Clamp Bolt: 25 N·m (2.5 kgf·m, 18 ft·lb)**
 - Rear Master Cylinder Mounting Bolts: 25 N·m (2.5 kgf·m, 18 ft·lb)**
- Replenish the fluid in the reservoir, and bleed the brake line (see Brake Line Bleeding).
- Check the brake for proper braking power, no brake drag, and no fluid leakage.



⚠ WARNING

Do not attempt to ride the motorcycle until a full brake pedal is obtained by pumping the brake pedal until the pads are against the disc. The brake will not function on the first application of the pedal if this is not done.

- Check the brake pedal position and adjust it if necessary.
- Check the rear brake light switch operation and adjust the switch if necessary (see Periodic Maintenance chapter).

Calipers

Front Caliper Removal

VN1600-B1

- Loosen the banjo bolt [A] at the brake hose lower end, and tighten it loosely.
- Unscrew the caliper mounting bolts [B].

CAUTION

Do not loosen the caliper assembly bolts [C]. Take out only the caliper mounting bolts for caliper removal. Loosening the caliper assembly bolts will cause brake fluid leakage. Immediately wash away any brake fluid that spills.

- Take off the caliper.
- Unscrew the banjo bolt and remove the brake hose from the caliper.

VN1600-B2 ~

- Loosen the banjo bolt [A] at the brake hose lower end, and tighten it loosely.
- Unscrew the caliper mounting bolts [B], and detach the caliper [C] from the disc.

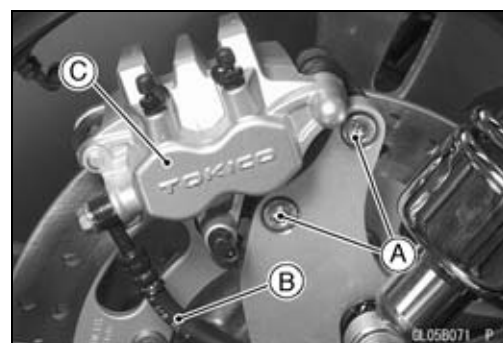
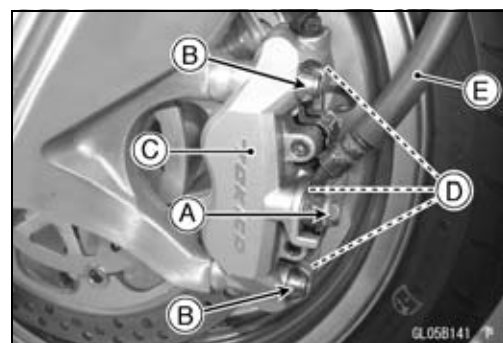
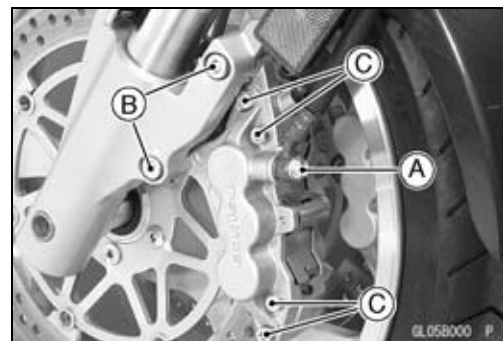
CAUTION

Do not loosen the caliper assembly bolts [D]. Take out only the caliper mounting bolts for caliper removal. Loosening the caliper assembly bolts will cause brake fluid leakage. Immediately wash away any brake fluid that spills.

- Unscrew the banjo bolt and remove the brake hose [E] from the caliper (see Brake Hose Removal/Installation in this chapter).

Rear Caliper Removal

- Remove:
 - Caliper Mounting Bolts [A]
 - Brake Hose [B]
 - Rear Caliper [C]



12-14 BRAKES

Calipers

Caliper Installation

- Install the caliper and brake hose lower end.
- Replace the washer on each side of hose fitting with new ones.
- Tighten the caliper mounting bolts and banjo bolt.

Torque - Front Caliper Mounting Bolts: 34 N·m (3.5 kgf·m, 25 ft·lb)

Rear Caliper Mounting Bolts: 34 N·m (3.5 kgf·m, 25 ft·lb)

Brake Hose Banjo Bolt: 34 N·m (3.5 kgf·m, 25 ft·lb)

- Check the fluid level in the brake reservoirs.
- Bleed the brake line (see Brake Line Bleeding).
- Check the brake for good braking power, no brake drag, and no fluid leakage.

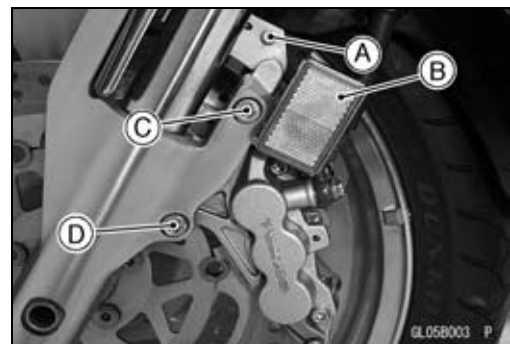
▲ WARNING

Do not attempt to ride the motorcycle until a full brake lever or pedal is obtained by pumping the brake lever or pedal until the pads are against the disc. The brakes will not function on the first application of the lever or pedal if this is not done.

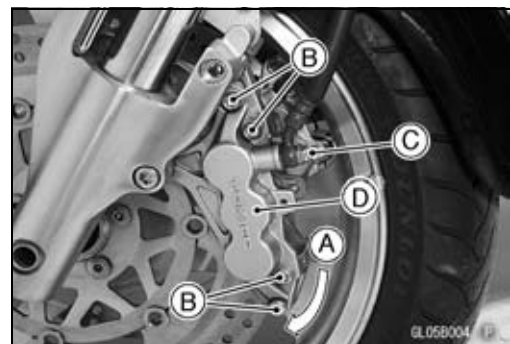
Front Caliper Disassembly

VN1600-B1

- Remove the pad spring and brake pads (see Front Brake Pad Removal).
- For the United States and Canadian Models, remove the bolt [A] and reflector [B].
- Unscrew the front upper caliper mounting bolt [C] and loosen the front lower caliper mounting bolt [D].

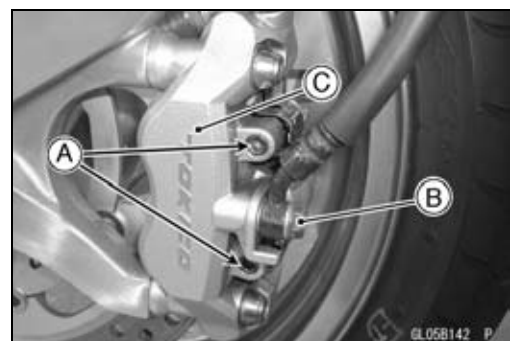


- Move [A] the front caliper little.
- Loosen the front caliper assembly bolts [B] and front caliper banjo bolt [C] and tighten them loosely.
- Remove the front caliper [D] and banjo bolt.
- Remove the front caliper assembly bolts and split the front caliper.
- Remove the O-rings.



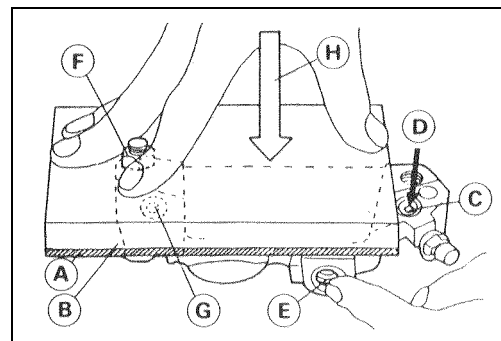
VN1600-B2 ~

- Loosen the front caliper pad pins [A] and banjo bolt [B] and tighten them loosely.
- Remove:
 - Front Caliper (see Front Caliper Removal) [C]
 - Brake Pad (See Front Brake Pad Removal)
 - Front Caliper Assembly Bolts
 - O-rings



Calipers

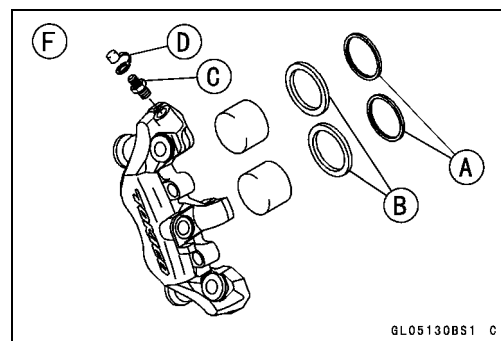
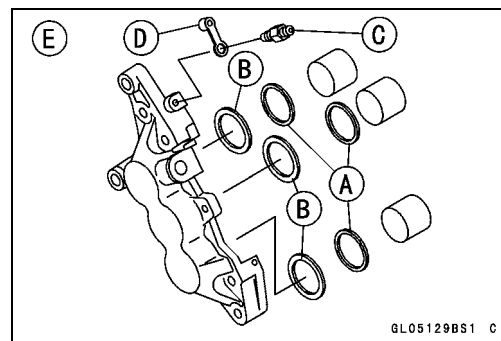
- Using compressed air, remove the pistons. One way to remove the pistons is as follows.
 - Install a rubber gasket [A] and a wooden board [B] more than 10 mm (0.39 in.) thick on the caliper half, and fasten them together with a suitable bolt and nut as shown. Leave one of the oil passages [C] open.
 - Lightly apply compressed air [D] to the oil passage until the pistons hit the rubber gasket. Block the hose joint opening [E] during this operation if the caliper half has the opening.
- Bolt and Nut [F]
Oil Passage sealed by Rubber Gasket [G]
Push down [H]



⚠ WARNING

To avoid serious injury, never place your fingers or palm in front of the piston. If you apply compressed air into the caliper, the piston may crush your hand or fingers.

- Pull out the pistons by hand.
 - Remove the dust seals [A] and fluid seals [B].
 - Remove the bleed valve [C], and rubber cap [D]
 - Repeat the previous step to remove the pistons from the other side of the caliper body.
- VN1600-B1 [E]
VN1600-B2 ~[F]



Front Caliper Assembly

- Clean the caliper parts except for the pads.

CAUTION

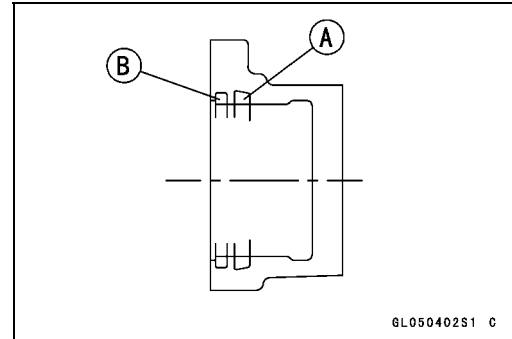
For cleaning the parts, use only disc brake fluid, isopropyl alcohol, or ethyl alcohol.

- Install the bleed valve and rubber cap.
- Tighten:
Torque - Caliper Bleed Valve: 7.8 N·m (0.80 kgf·m, 69 in·lb)

12-16 BRAKES

Calipers

- Replace the fluid seals [A] with new ones.
- Apply brake fluid to the fluid seals, and install them into the cylinders by hand.
- Replace the dust seals [B] with new ones if they are damaged.
- Apply brake fluid to the dust seals, and install them into the cylinders by hand.



- Replace the O-rings [A] if they are damaged.
- Apply brake fluid to the outside of the pistons, and push them into each cylinder by hand.
- Be sure to install the O-rings.
- Tighten the caliper assembly bolts.

VN1600-B1

Torque - Front Caliper Assembly Bolts: 21 N·m (2.1 kgf·m, 15 ft·lb)

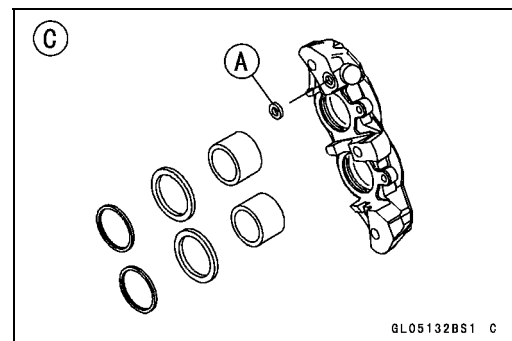
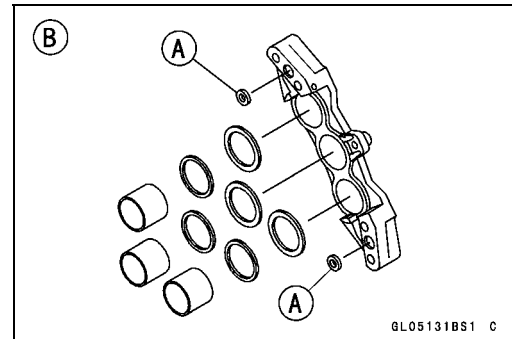
VN1600-B2 ~

Torque - Front Caliper Assembly Bolts: 22 N·m (2.2 kgf·m, 16 ft·lb)

- Install the pads (see Front Brake Pad Installation).
- Wipe up any spilled brake fluid on the caliper with wet cloth.

VN1600-B1 [B]

VN1600-B2 ~[C]



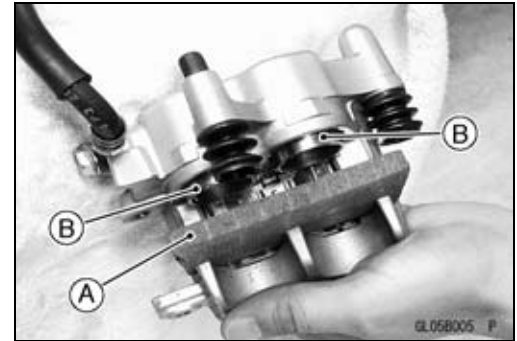
Rear Caliper Disassembly

- Remove the caliper with the hose installed (see Rear Brake Caliper Removal).
- Remove the pads (see Rear Brake Pad Removal).
- Pull out the caliper holder [A].

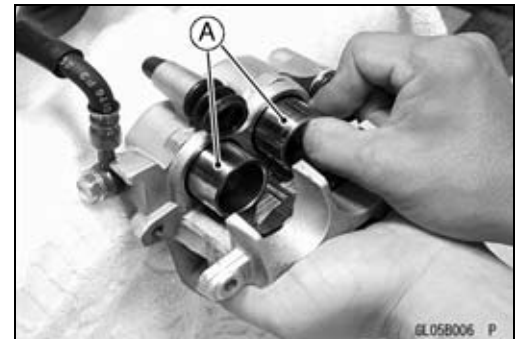


Calipers

- Insert a wooden board [A] 6 mm (0.24 in.) thick inside the caliper opening.
- Pump the brake pedal until the pistons [B] push the wooden board.



- Remove the board and pull out the pistons [A] by hand.
- These pistons can also be removed by disconnecting the hose and applying compressed air to the hose joint opening using the same wooden board. But be careful not to put your fingers or palm inside the caliper opening during work.



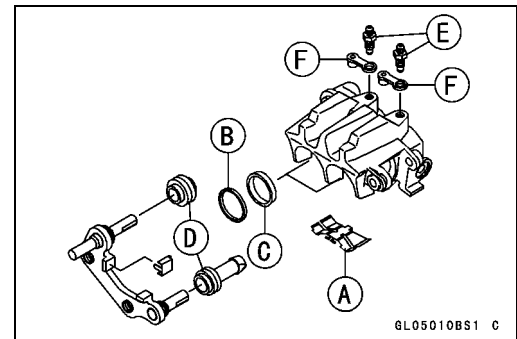
⚠ WARNING

To avoid serious injury, never place your fingers or palm inside the caliper opening. If you apply compressed air into the caliper, the pistons may crush your hand or fingers.

CAUTION

Immediately wash away any brake fluid that spills.

- Remove the anti rattle spring [A].
- Remove the dust seals [B] and fluid seals [C].
- Remove the rubber friction boots [D].
- Remove the bleed valve [E] and rubber cap [F].

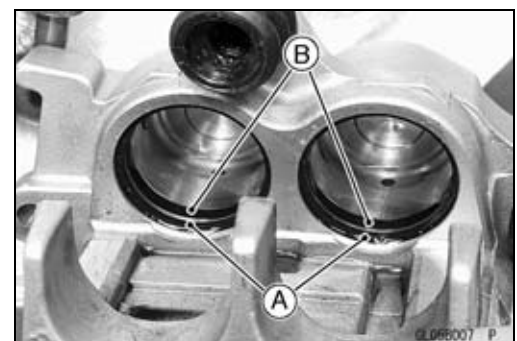


Rear Caliper Assembly

- Tighten the bleed valve.

Torque - Caliper Bleed Valve: 7.8 N·m (0.80 kgf·m, 69 in·lb)

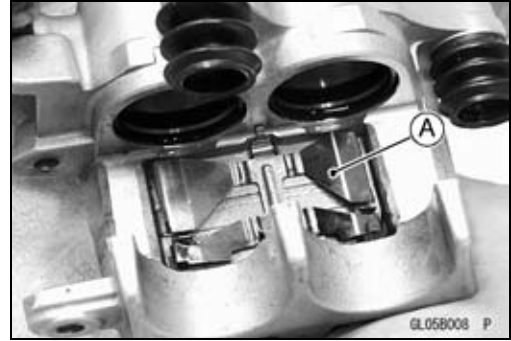
- It is recommended that the fluid seal (piston seal) which is removed, be replaced with a new one.
- Replace the dust seals [A] if they are damaged.
- Install the fluid seal [B]. Either side of the seal may face outboard.



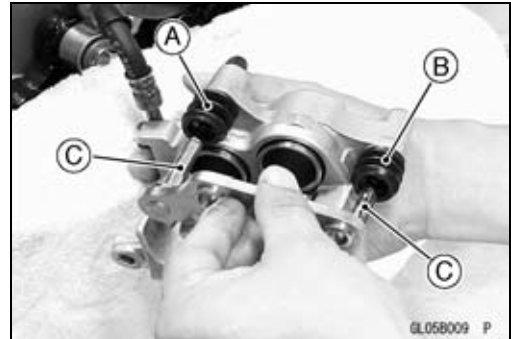
12-18 BRAKES

Calipers

- Install the anti-rattle spring [A] in the caliper as shown.
- Apply brake fluid to the cylinders, pistons, and fluid seals (piston seals), and push the pistons into the cylinders by hand. Take care that neither the cylinder nor the piston skirt gets scratched.



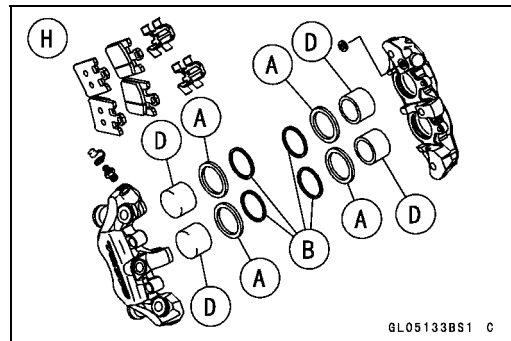
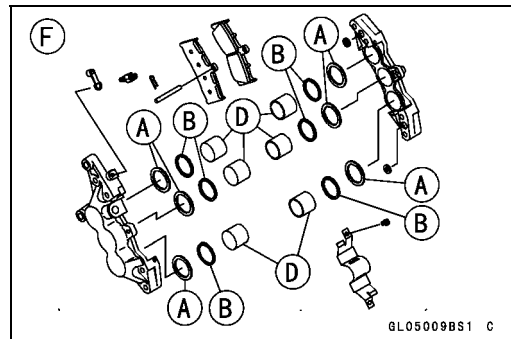
- Replace the caliper holder shaft rubber friction boot [A] and dust boot [B] if they are damaged.
- Apply a thin coat of silicone or PBC grease to the caliper holder shafts [C] and holder holes (Silicone or PBC grease is a special high temperature, water-resistance grease).
- Install the pads (see Rear Brake Pad Installation).



Caliper Fluid Seal Damage

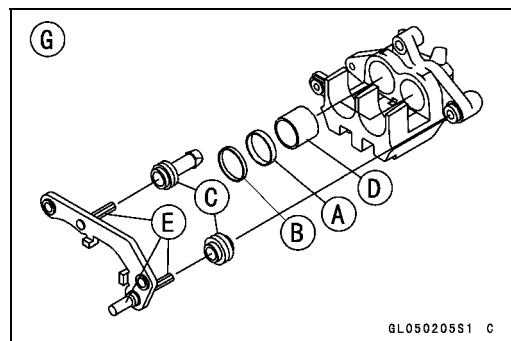
The fluid seals [A] around the piston maintain the proper pad/disc clearance. If the seals are not satisfactory, pad wear will increase, and constant pad drag on the disc will raise brake and brake fluid temperature.

- Replace the fluid seals under any of the following conditions: (a) fluid leakage around the pad; (b) brakes over-heat (c) there is a large difference in inner and outer pad wear; (d) the seal is stuck to the piston.
- ★ If the fluid seal is replaced, replace the dust seal as well. Also, replace all seals every other time the pads are changed.



Caliper Dust Seal/Friction Boot Damage

- Check that the dust seals [B] and friction boots [C] are not cracked, worn, swollen, or otherwise damaged.
- If they show any damage, remove the caliper holder and replace them.
 - Front Caliper (VN1600-B1) [F]
 - Front Caliper (VN1600-B2 ~) [H]
 - Rear Caliper [G]



Caliper Piston and Cylinder Damage

- Visually inspect the pistons [D] and cylinder surfaces.
- ★ Replace the caliper if the cylinder and piston are badly scores or rusty.

Calipers

Caliper Holder Shaft Wear

The caliper body must slide smoothly on the caliper holder shafts [E]. If the body does not slide smoothly, one pad will wear more than the other, pad wear will increase, and constant drag on the disc will raise brake and brake fluid temperature.

- Check to see that the caliper holder shafts are not badly worn or stepped, and that the rubber friction boots are not damaged.
- ★ If the rubber friction boot is damaged, replace the rubber friction boot. To replace the friction boot, remove the pads and the caliper holder.
- ★ If the caliper holder shaft is damaged, replace the caliper bracket.

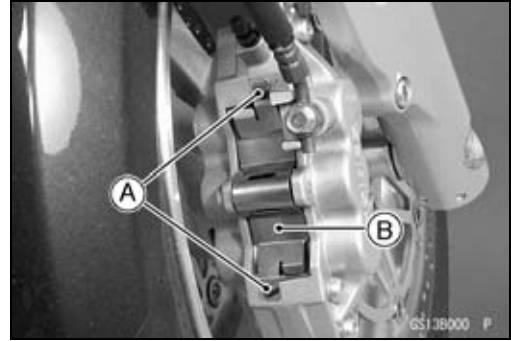
12-20 BRAKES

Brake Pads

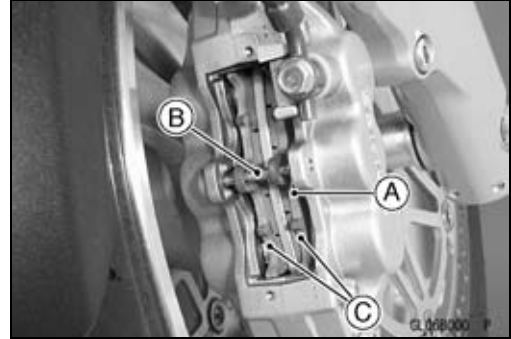
Front Brake Pad Removal

VN1600-B1

- Unscrew the pad spring bolts [A], and remove the pad spring [B].

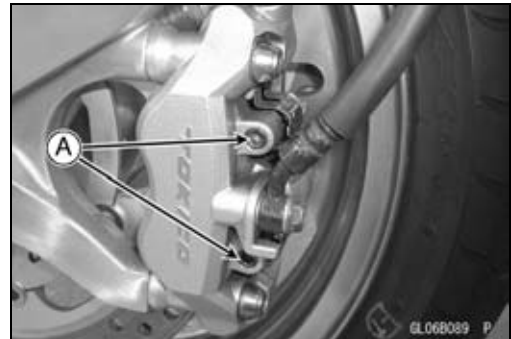


- Draw out the snap pin [A], and take off the pad pin [B].
- Remove the brake pads [C].

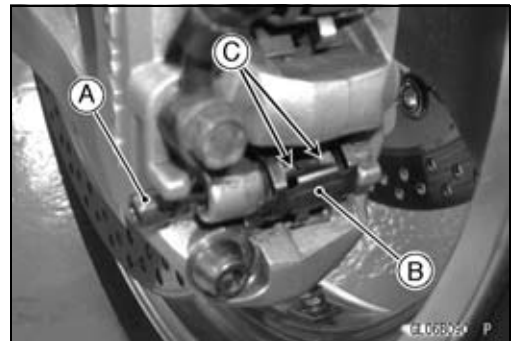


VN1600-B2 ~

- Loosen:
Pad Pins [A]



- Remove:
Pad Pins [A]
Pad Springs [B]
Brake Pads [C]



Brake Pads

Front Brake Pad Installation

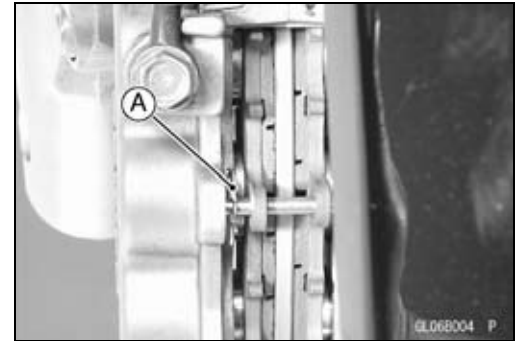
VN1600-B1

- Push the caliper pistons in by hand as far as they will go.
- Install the brake pads.
- Install the pad pin and snap pin [A]. The snap pin must be “outside” of the pads.
- Install the pad spring.
- Tighten:

Torque - Front Brake Pad Spring Bolts: 2.9 N·m (0.30 kgf·m, 26 in·lb)

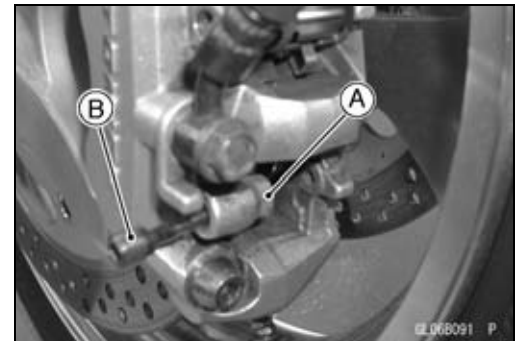
⚠ WARNING

Do not attempt to drive the motorcycle until a full brake lever is obtained by pumping the brake lever until the pads are against the disc. The brake will not function on the first application of the lever if this is not done.



VN1600-B2 ~

- Push the caliper pistons in by hand as far as they will go.
- Install the outside pad [A] and insert the pin [B] as shown.



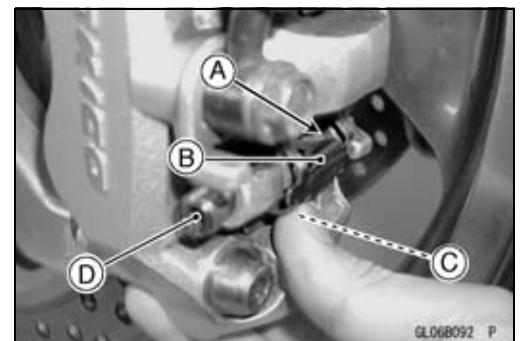
- Set:
 - Inside Pad [A]
 - Pad Spring [B]
- Pushing the pin holder [C] to hole of the pad and insert the pad pin [D].

- Tighten:

Torque - Front Brake Pad Pins: 15 N·m (1.5 kgf·m, 11 ft·lb)

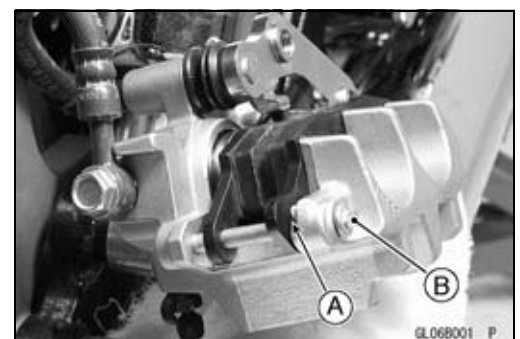
⚠ WARNING

Do not attempt to drive the motorcycle until a full brake lever is obtained by pumping the brake lever and the pads are against the disc. The brake will not function on the first application of the lever if this is not done.



Rear Brake Pad Removal

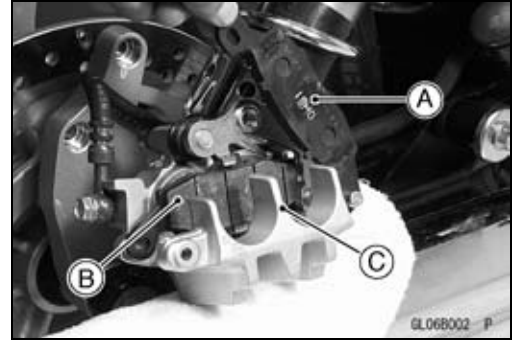
- Remove the caliper with the hose installed (see Rear Brake Caliper Removal).
- Remove:
 - Snap Pin [A]
 - Pad Pin [B]



12-22 BRAKES

Brake Pads

- Remove the jaw side pad [A], and then remove the piston side pad [B].
Jaw [C]



Rear Brake Pad Installation

- Before installation, clean the pads with a high-flash point solvent.
- Push [A] the caliper pistons in by hand as far as they will go.
- Be sure to install the snap pin for the caliper.

⚠ WARNING

Do not attempt to ride the motorcycle until a full pedal is obtained by pumping the brake lever or pedal until the pads are against the disc. The brakes will not function on the first application of the lever or pedal if this is not done.



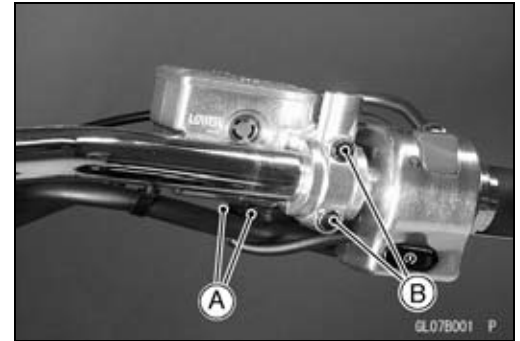
Brake Pad Wear Inspection

- Refer to the Brake Pad Wear Inspection in the Periodic Maintenance chapter

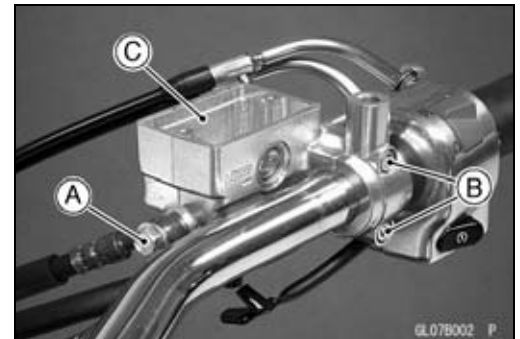
Master Cylinder

Front Master Cylinder Removal

- Disconnect the front brake light switch connectors [A].
- Draw out the brake fluid from the reservoir with a means like the fork oil level gage.
- Pull the bolt caps [B] out.



- Remove the banjo bolt [A] to disconnect the brake hose from the master cylinder (see Brake Hose Removal/Installation).
- Unscrew the clamp bolts [B], and take off the master cylinder [C] as an assembly with the reservoir, brake lever, and brake switch installed.

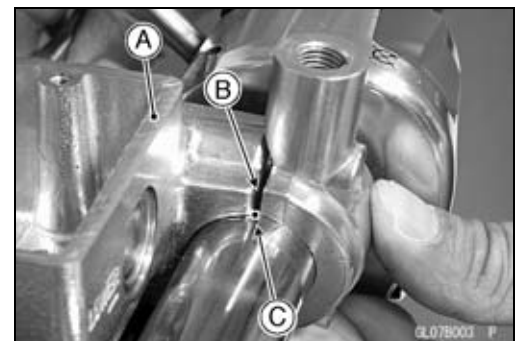


CAUTION

Immediately wash away any brake fluid that spills.

Front Master Cylinder Installation

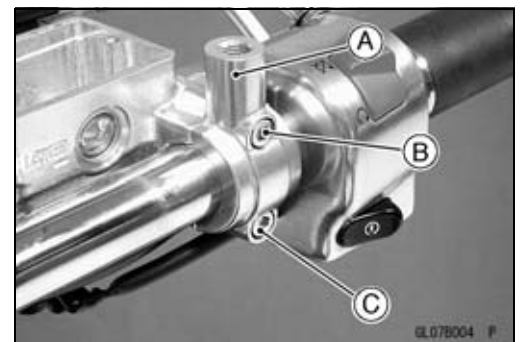
- Set the front master cylinder [A] to match its mating surface [B] to the punched mark [C] of the handlebar.



○The master cylinder clamp must be installed with the rear view mirror boss [A] faced upward.

- Apply grease to the threads end of the clamp bolts.
- Tighten the upper clamp bolt [B] first, and then the lower clamp bolt [C]. There will be a gap at the lower part of the clamp after tightening.

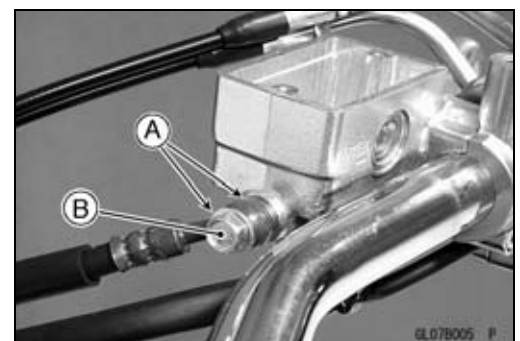
Torque - Front Master Cylinder Clamp Bolts: 8.8 N·m (0.90 kgf·m, 78 in·lb)



- Install the bolt caps.
- Use a new flat washers [A] on each side of the brake hose fitting.
- Tighten the brake hose banjo bolt [B].

Torque - Brake Hose Banjo Bolt: 34 N·m (3.5 kgf·m, 25 ft·lb)

- Replenish the fluid in the reservoir, and bleed the brake line (see Bleeding the Brake Line).
- Check the brake for good braking power, no brake drag, and no fluid leakage.

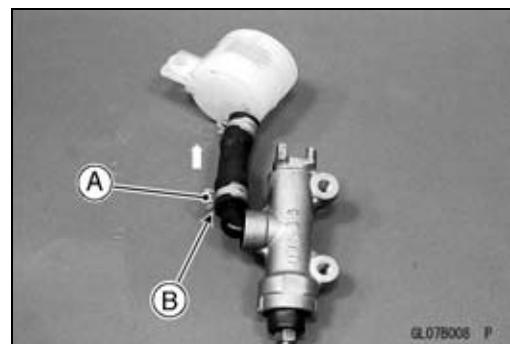
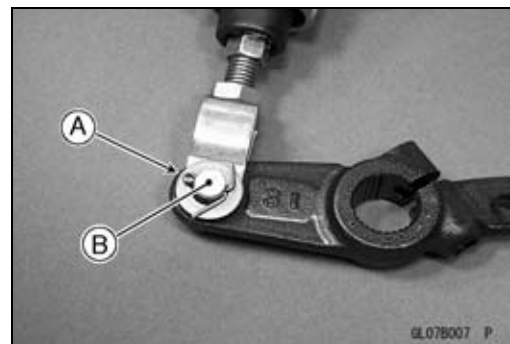
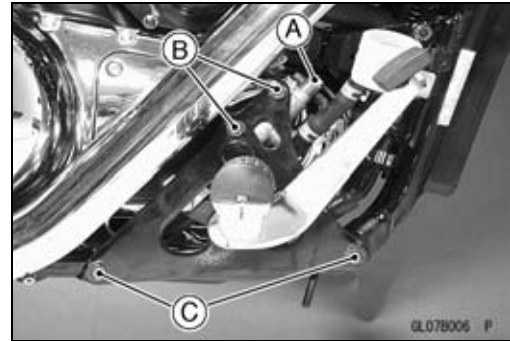


12-24 BRAKES

Master Cylinder

Rear Master Cylinder Removal

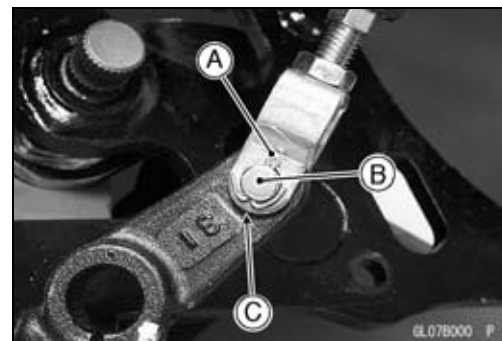
- Remove the brake fluid reservoir cover (see Brake Pedal Position Adjustment).
- Draw out the brake fluid from the reservoir with a means like the fork oil level gage.
- Remove the brake fluid reservoir (see Brake Pedal Position Adjustment).
- Unscrew the brake hose banjo bolt [A] on the master cylinder.
- Loosen the master cylinder mounting bolts [B].
- Unscrew the footpeg bracket bolts [C].
- Remove:
 - Rear Master Cylinder Mounting Bolts
 - Brake Pedal Return Spring (see Brake Pedal Removal)
 - Brake Switch Return Spring [B] (see Brake Pedal Removal)
 - Brake Lever (see Brake Pedal Removal)
- Remove the cotter pin [A] and joint pin [B].
- Slide the reservoir hose lower end clamp [A].
- Pull out the reservoir hose lower end [B], and drain the brake fluid into a container.



Master Cylinder

Rear Master Cylinder Installation

- Replace the cotter pin with a new one.
- Insert the cotter pin [A] to the hole of the joint pin [B] and separate [C] the cotter pin ends.
- Use a new flat washer on each side of the brake hose fitting.
- Tighten:
 - Torque - Rear Master Cylinder Mounting Bolts: 25 N·m (2.5 kgf·m, 18 ft·lb)**
 - Brake Hose Banjo Bolt: 34 N·m (3.5 kgf·m, 25 ft·lb)**
- Bleed the brake line (see Brake Line Bleeding).
- Check the brake for good braking power, no brake drag, and no fluid leakage.

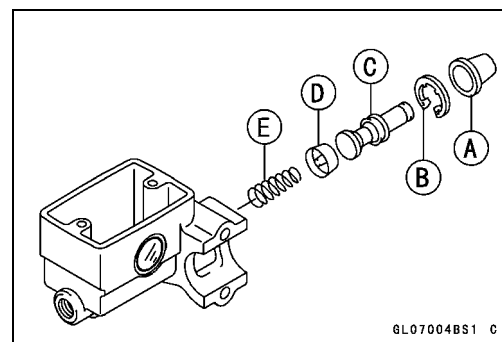


⚠ WARNING

Do not attempt to ride the motorcycle until a full brake pedal is obtained by pumping the brake pedal until the pads are against the disc. The brake will not function on the first application of the pedal if this is not done.

Front Master Cylinder Disassembly

- Remove the front master cylinder.
- Remove the reservoir cap, plate and diaphragm.
- Unscrew the locknut and pivot bolt, and remove the brake lever.
- Pull the dust cover [A] out of place, and remove the circlip [B].
- Special Tool - Inside Circlip Pliers: 57001-143**
- Pull out the piston assy [C], primary cup [D], and return spring [E].



CAUTION

Do not remove the secondary cup from the piston since removal will damage it.

12-26 BRAKES

Master Cylinder

Rear Master Cylinder Disassembly

NOTE

○ Do not remove the push rod clevis [A] for master cylinder disassembly since removal requires brake pedal position adjustment.

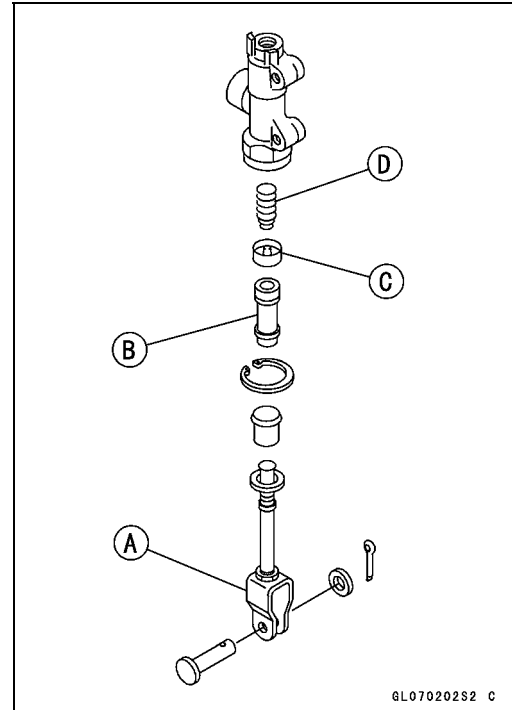
- Remove the rear master cylinder (see Rear Master Cylinder Removal).
- Slide the dust cover on the push rod out of place, and remove the circlip.

Special Tool - Inside Circlip Pliers: 57001-143

- Pull out the push rod with the piston stop.
- Take off the piston assy [B], primary cup [C], and return spring [D].

CAUTION

Do not remove the secondary cup from the piston since removal will damage it.



Master Cylinder Assembly

- Before assembly, clean all parts including the master cylinder with brake fluid or alcohol.

CAUTION

Except for the disc pads and disc, use only disc brake fluid, isopropyl alcohol, or ethyl alcohol for cleaning brake parts. Do not use any other fluid for cleaning these parts. Gasoline, engine oil, or any other petroleum distillate will cause deterioration of the rubber parts. Oil spilled on any part will be difficult to wash off completely, and will eventually deteriorate the rubber used in the disc brake.

- Apply brake fluid to the removed parts and to the inner wall of the cylinder.
- Take care not to scratch the piston or the inner wall of the cylinder.
- Apply:

Silicone Grease- Brake Lever Pivot Bolt

Brake Lever Pivot Contact, Dust Cover

Push Rod Contact, Dust Cover

- Tighten the brake lever pivot bolt and the locknut.

Torque - Brake Lever Pivot Bolt: 1.0 N·m (0.10 kgf·m, 8.9 in·lb)

Brake Lever Pivot Bolt Locknut: 5.9 N·m (0.60 kgf·m, 52 in·lb)

Master Cylinder

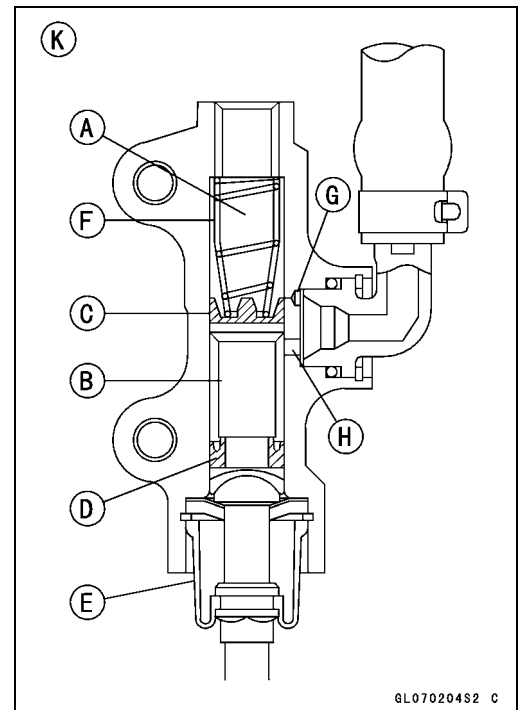
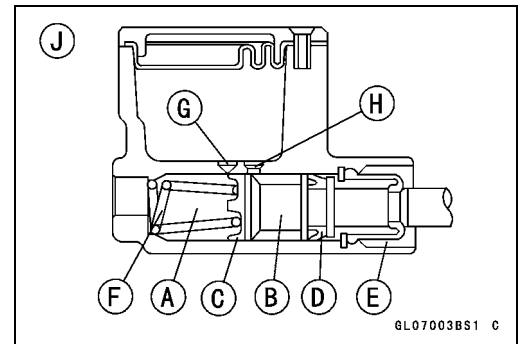
Master Cylinder Inspection

- Disassemble the front and rear master cylinders.
- Check that there are no scratches, rust or pitting on the inner wall [A] of each master cylinder and on the outside of each piston [B].
- ★ If a master cylinder or piston shows any damage, replace them.
- Inspect the primary cup [C] and secondary cup [D].
- ★ If a cup is worn, damaged softened (rotted), or swollen, the piston assy should be replaced to renew the cups.
- ★ If fluid leakage is noted at the brake lever, the piston assy should be replaced to renew the cups.

Front Master Cylinder [J]

- Check the dust covers [E] for damage.
- ★ If they are damaged, replace them.
- Check the piston return spring [F] for any damage.
- ★ If the springs are damaged, replace them.
- Check that relief port [G] and supply port [H] are not plugged.
- ★ If the relief port becomes plugged, the brake pads will drag on the disc. Blow the ports clean with compressed air.

Rear Master Cylinder [K]



12-28 BRAKES

Brake Discs

Brake Disc Removal

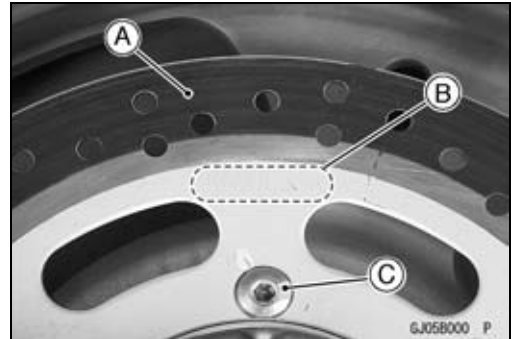
- Remove the wheel (see Wheels/Tires chapter).
- Unscrew the mounting bolts [A], and take off the disc.



Brake Disc Installation

- Install the brake disc [A] on the wheel so that the marked side [B] faces out.
- Apply a non-permanent locking agent to the threads of the brake disc bolts [C].
- Tighten:

Torque - Brake Disc Bolts: 27 N·m (2.8 kgf·m, 20 ft·lb)



Brake Disc Wear

- Measure the thickness of each disc [A] at the point where it has worn the most.
Measuring Area [B]
- ★ Replace the disc if the sliding surface has worn past the service limit.

Front Disc Thickness

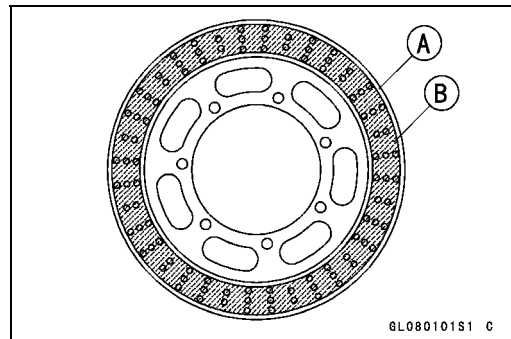
Standard: 4.8 ~ 5.1 mm (0.19 ~ 0.20 in.)

Service Limit: 4.5 mm (0.18 in.)

Rear Disc Thickness

Standard: 6.8 ~ 7.2 mm (0.268 ~ 0.283 in.)

Service Limit: 6.0 mm (0.24 in.)



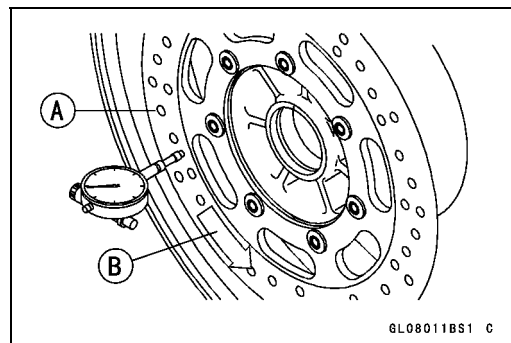
Brake Disc Warp

- Jack up the motorcycle so that the wheel is off the ground (see Wheels/Tires chapter).
- For front disc inspection, turn the handlebar fully to one side.
- Set up a dial gage against the disc [A] as shown and measure disc runout, while turning [B] the wheel by hand.
- ★ If the runout exceeds the service limit, replace the disc.

Disc Runout

Standard: TIR 0.15 mm (0.0059 in.) or less

Service Limit: TIR 0.3 mm (0.01 in.)



Brake Fluid

Brake Fluid Level Inspection

- Refer to the Brake Fluid Level Inspection in Periodic Maintenance chapter.

Brake Fluid Change

- Refer to the Brake Fluid Change in Periodic Maintenance chapter.

Brake Line Bleeding

The brake fluid has a very low compression coefficient so that almost all the movement of the brake lever or pedal is transmitted directly to the caliper for braking action. Air, however, is easily compressed. When air enters the brake lines, brake lever or pedal movement will be partially used in compressing the air. This will make the lever or pedal feel spongy, and there will be a loss in braking power.

▲ WARNING

Be sure to bleed the air from the brake line whenever brake lever or pedal action feels soft or spongy after the brake fluid is changed, or whenever a brake line fitting has been loosened for any reason.

NOTE

○ *The procedure to bleed the front brake line is as follows. Bleeding the rear brake line is almost the same as for the front brake.*

- Remove the reservoir cap, and fill the reservoir with fresh brake fluid to the upper level line in the reservoir.
- With the reservoir cap off, slowly pump the brake lever several times until no air bubbles can be seen rising up through the fluid from the holes [A] at the bottom of the reservoir.
- Install the reservoir cap.



12-30 BRAKES

Brake Fluid

- Remove the rubber cap from the bleed valve on the caliper.
- Attach a clear plastic hose to the bleed valve, and run the other end of the hose into a container.
- Bleed the brake line and the caliper as follows:
 - Repeat this operation until no more air can be seen coming out into the plastic hose.
 - Pump the brake lever until it becomes hard, and apply the brake lever and hold it [A].
 - Quickly open and close [B] the bleed valve while holding the brake lever applied.
 - Release the brake lever [C].

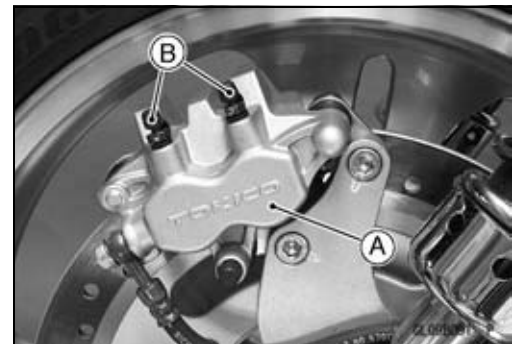
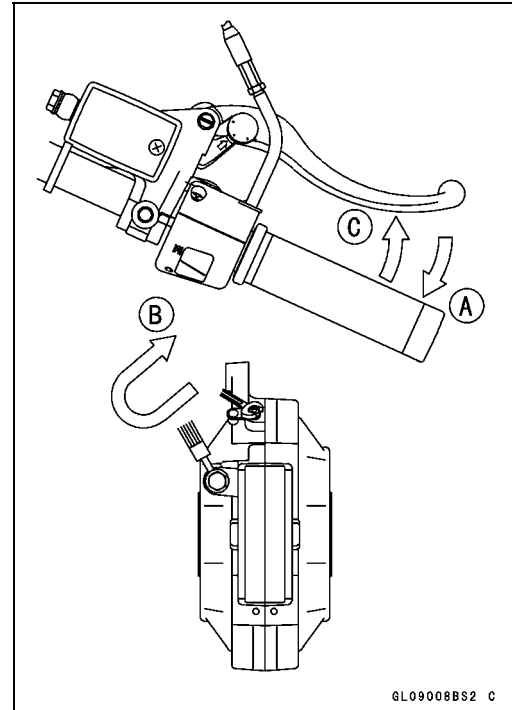
NOTE

- The fluid level must be checked often during the bleeding operation and replenished with fresh brake fluid as necessary. If the fluid in the reservoir runs completely out any time during bleeding, the bleeding operation must be done over again from the beginning since air will have entered the line.
- Tap the brake hose lightly from the caliper to the reservoir for more complete bleeding.

- Remove the clear plastic hose.
- Tighten:
 - Torque - Caliper Bleed Valve: 7.8 N·m (0.80 kgf·m, 69 in·lb)**
 - Front Brake Reservoir Cap Screws: 1.5 N·m (0.15 kgf·m, 13 in·lb)**
- Repeat the above steps for other caliper.

NOTE

- For the rear brake caliper [A], bleed the brake line for two bleed valves [B].



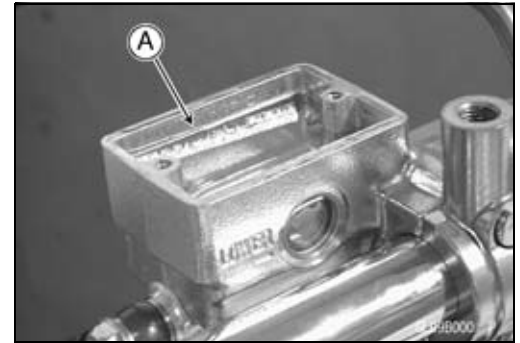
Brake Fluid

- Check the fluid level.
- After bleeding is done, check the brake for good braking power, no brake drag, and no fluid leakage.

⚠ WARNING

When working with the disc brake, observe the precautions listed below.

1. Never reuse old brake fluid.
2. Do not use fluid from a container that has been left unsealed or that has been open for a long time.
3. Do not mix two types and brands of fluid for use in the brake. This lowers the brake fluid boiling point and could cause the brake to be ineffective. It may also cause the rubber brake parts to deteriorate.
4. Don't leave the reservoir cap off [A] for any length of time to avoid moisture contamination of the fluid.
5. Don't change the fluid in the rain or when a strong wind is blowing.
6. Except for the disc pads and disc, use only disc brake fluid, isopropyl alcohol, or ethyl alcohol for cleaning brake parts. Do not use any other fluid for cleaning these parts. Gasoline, engine oil, or any other petroleum distillate will cause deterioration of the rubber parts. Oil spilled on any part will be difficult to wash off completely and will eventually deteriorate the rubber used in the disc brake.
7. When handling the disc pads or disc, be careful that no disc brake fluid or any oil gets on them. Clean off any fluid or oil that inadvertently gets on the pads or disc with a high-flash point solvent. Do not use one which will leave an oily residue. Replace the pads with new ones if they cannot be cleaned satisfactorily.
8. Brake fluid quickly ruins painted surfaces; any spilled fluid should be completely washed away immediately.
9. If any of the brake line fittings or the bleed valve is opened at any time, the **AIR MUST BE BLED FROM THE BRAKE LINE.**



12-32 BRAKES

Brake Hoses

Brake Hose Removal/Installation

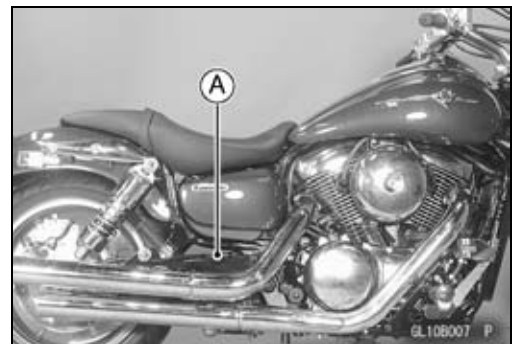
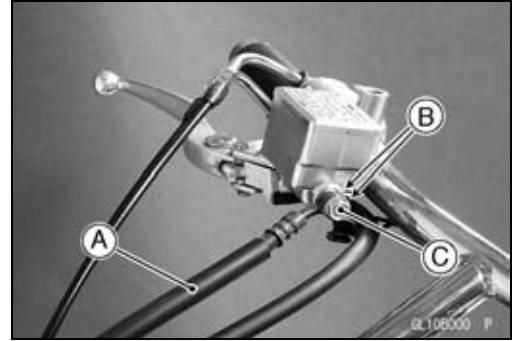
CAUTION

Brake fluid quickly ruins painted surfaces; any spilled fluid should be completely washed away immediately.

- When removing the brake hose, take care not to spill the brake fluid on the painted or plastic parts.
- When removing the brake hose [A], temporarily secure the end of the brake hose to some high place to keep fluid loss to a minimum.
- Immediately wash away any brake fluid that spills.
- There are washers [B] on each side of the brake hose fitting. Replace them with new ones when installing.
- Tighten the banjo bolts [C] on the hose fittings.

Torque - Brake Hose Banjo Bolts: 34 N·m (3.5 kgf·m, 25 ft·lb)

- When installing the hoses [A], avoid sharp bending, kinking, flattening or twisting, and route the hoses according to Cable, Wire, and Hose Routing section in the Appendix chapter.
- Fill the brake line after installing the brake hose (see Brake Fluid Changing in the Periodic Maintenance chapter).



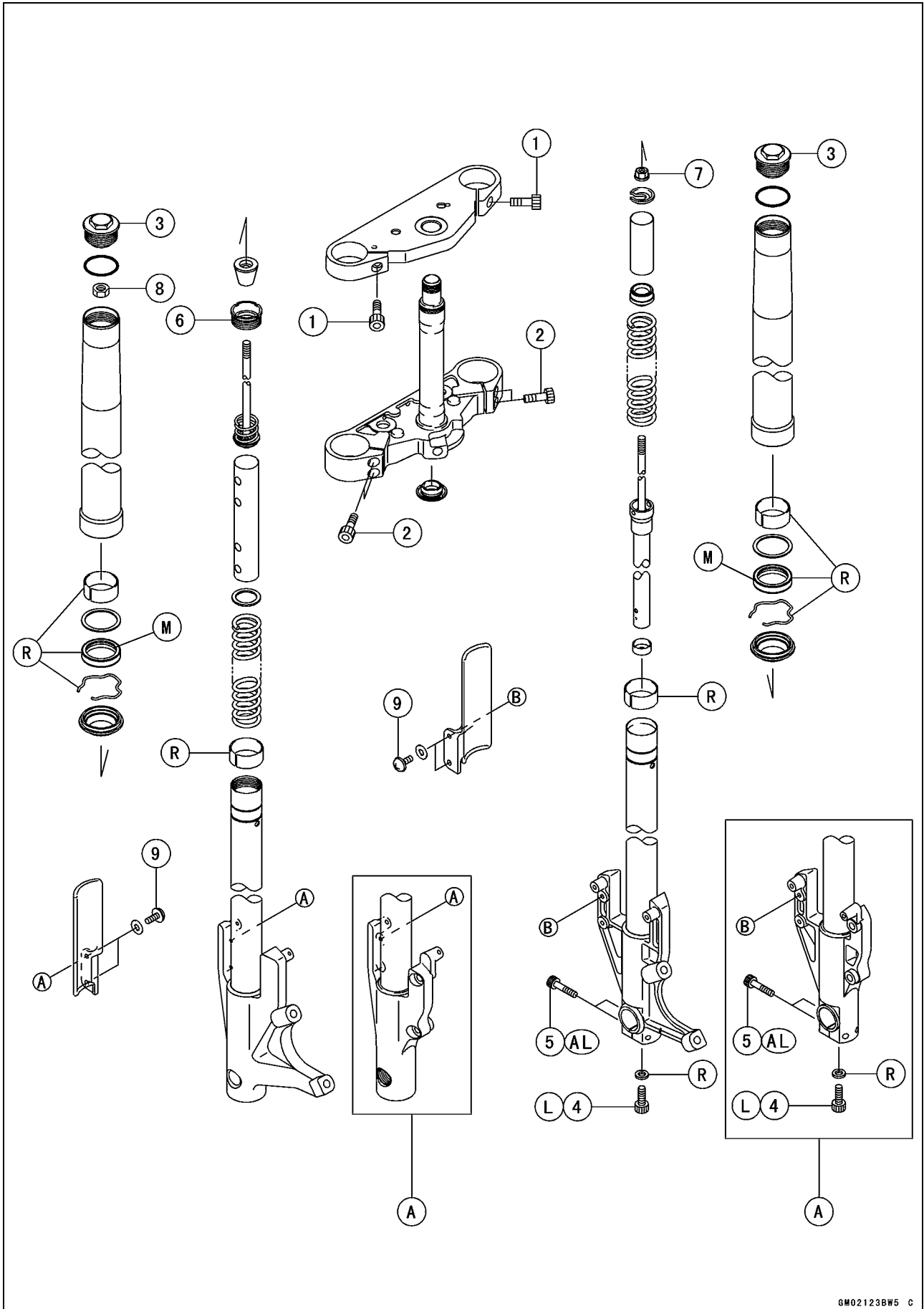
Suspension

Table of Contents

Exploded View	13-2
Specifications	13-6
Special Tools	13-7
Front Fork	13-8
Fork Oil Change	13-8
Front Fork Removal (each fork leg)	13-12
Front Fork Installation (each fork leg)	13-13
Front Fork Disassembly	13-13
Front Fork Assembly	13-16
Inner Tube, Outer Tube Inspection	13-17
Dust Seal Inspection	13-17
Spring Inspection	13-18
Rear Shock Absorber (Air Type)	13-19
Rebound Damping Adjustment	13-19
Air Pressure Adjustment	13-19
Rear Shock Absorber Removal	13-21
Rear Shock Absorber Installation	13-21
Rear Shock Absorber Inspection	13-21
Scrapping	13-22
Swingarm	13-23
Swingarm Removal	13-23
Swingarm Installation	13-24
Swingarm Bearing Removal	13-25
Swingarm Bearing Installation	13-25
Swingarm Bearing, Sleeve Inspection	13-25
Grease Seal and Needle Bearing Lubrication	13-26

13-2 SUSPENSION

Exploded View



Exploded View

No.	Fastener	Torque			Remarks
		N·m	kgf·m	ft·lb	
1	Front Fork Clamp Bolts (Upper)	29	3.0	21	
2	Front Fork Clamp Bolts (Lower)	29	3.0	21	
3	Front Fork Top Plugs	34	3.5	25	
4	Front Fork Bottom Allen Bolt	20	2.0	15	L
5	Front Axle Clamp Bolts	29	3.0	21	AL
6	Inner Fork Bolt	98	10	72	
7	Piston Rod Nut	20	2.0	15	
8	Joint Rod Nut	20	2.0	15	
9	Protector Screws	5.9	0.60	52 in·lb	

AL: Tighten the two clamp bolts alternately two times to ensure even tightening torque.

G: Apply grease.

L: Apply a non-permanent locking agent.

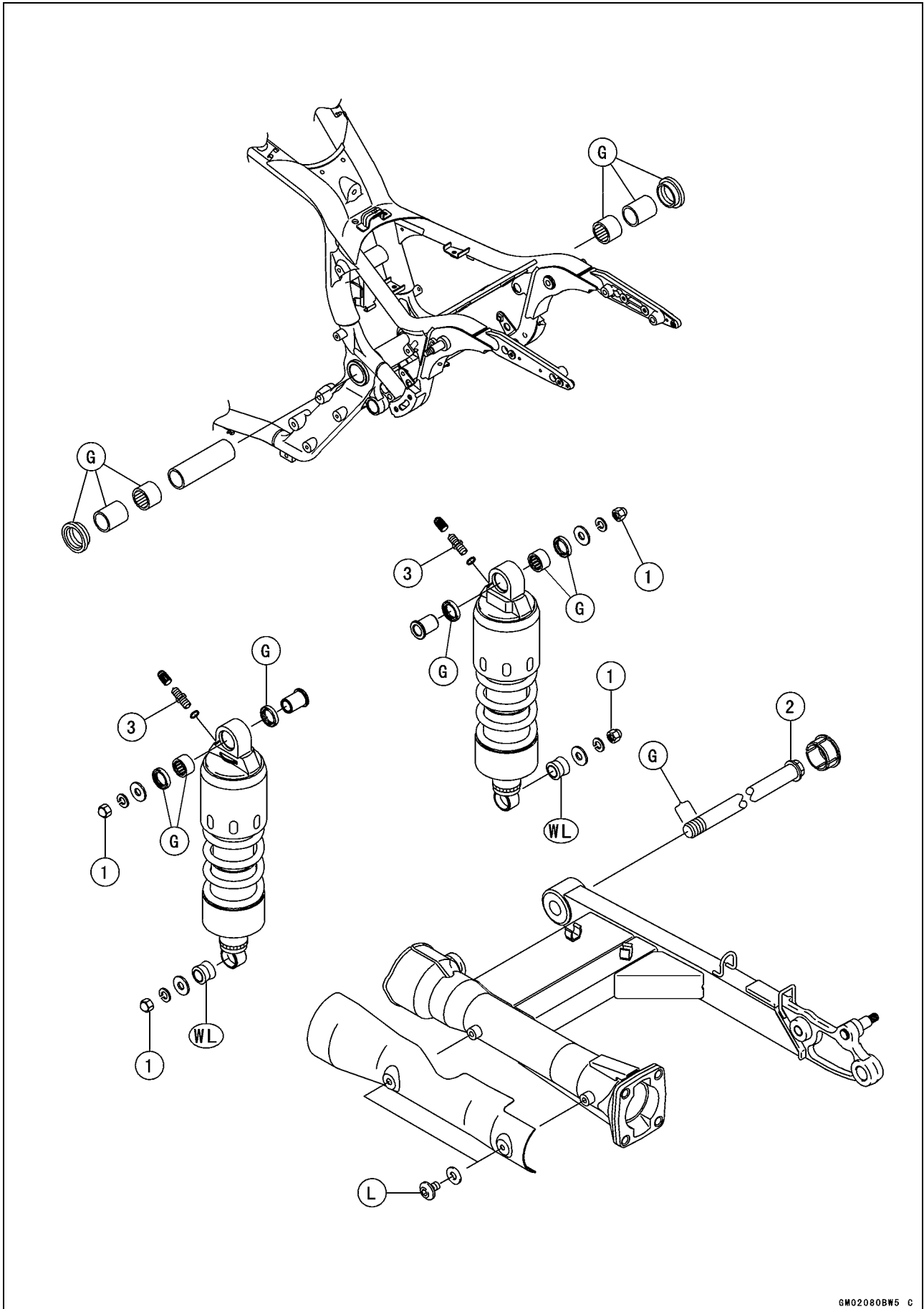
M: Apply molybdenum disulfide grease.

R: Replacement Parts

A: VN1600-B1 Model

13-4 SUSPENSION

Exploded View



Exploded View

No.	Fastener	Torque			Remarks
		N·m	kgf·m	ft·lb	
1	Rear shock absorber nuts	34	3.5	25	
2	Swingarm pivot shaft	108	11	79.6	G
3	Shock absorber air valves	5.4	0.55	48 in·lb	

G: Apply grease.

L: Apply a non-permanent locking agent.

WL: Apply a soap and water solution or rubber lubricant.

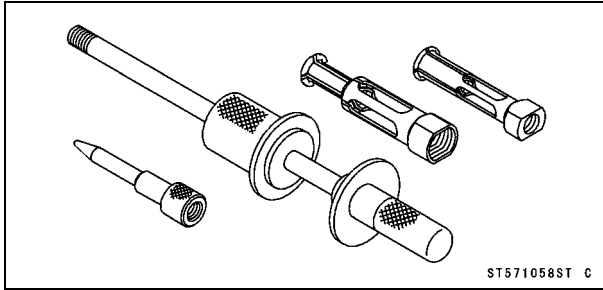
13-6 SUSPENSION

Specifications

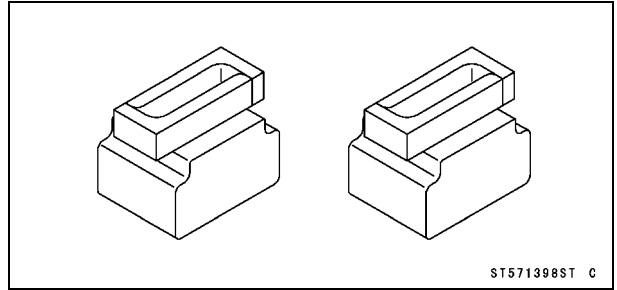
Item	Standard
Front Fork (Per One Unit)	
Fork Inner Tube Diameter	$\phi 43$ mm ($\phi 1.7$ in.)
Fork Spring Setting	Non-adjustable
Air Pressure	Atmospheric pressure (Non-adjustable)
Rebound Damper Setting	Non-adjustable
Fork Oil Type	SHOWA SS-8 or equivalent
Fork Oil Capacity:	
Right Fork Leg	507 \pm 2.5 mL (17.1 \pm 0.085 US oz.) (completely disassembled and dry) approx. 430 mL (14.5 US oz.) (when changing oil)
Left Fork Leg	601 \pm 2.5 mL (20.3 \pm 0.085 US oz.) (completely disassembled and dry) approx. 510 mL (17.2 US oz.) (when changing oil)
Fork Oil Level:	Fully compressed, without fork spring, below from inner tube top
Right Fork Leg	142 mm (5.59 in.)
Left Fork Leg	136 mm (5.35 in.)
Fork Spring Free Length	333.7 mm (13.14 in.) (Service limit: 327 mm (12.9 in.))
Rear Shock Absorber	
Rebound Damper Set	No. of 4 positions
Air Pressure:	
Standard	Atmospheric pressure
Usable Range	0 kPa (0 kgf/cm ² , 0 psi) ~ 290 kPa (3.0 kgf/cm ² , 43 psi)

Special Tools

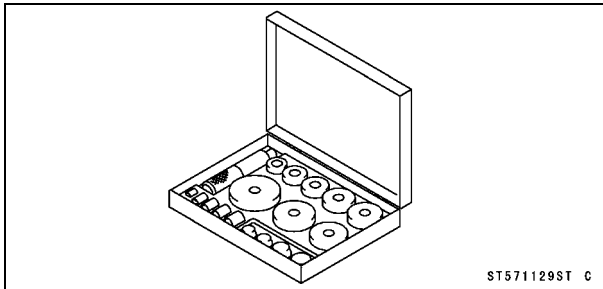
Oil Seal & Bearing Remover:
57001-1058



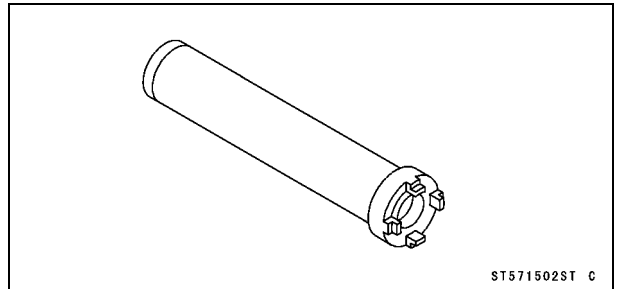
Attachment Jack:
57001-1398



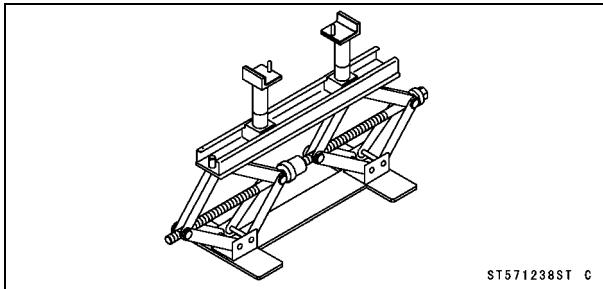
Bearing Driver Set:
57001-1129



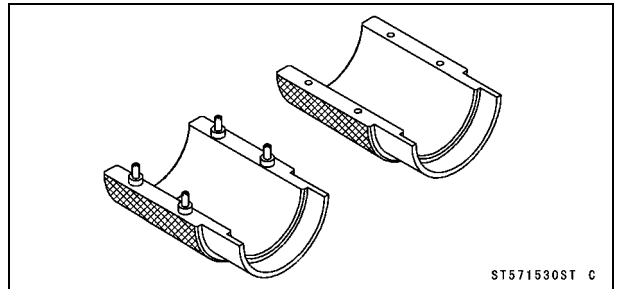
Fork Cylinder Holder:
57001-1502



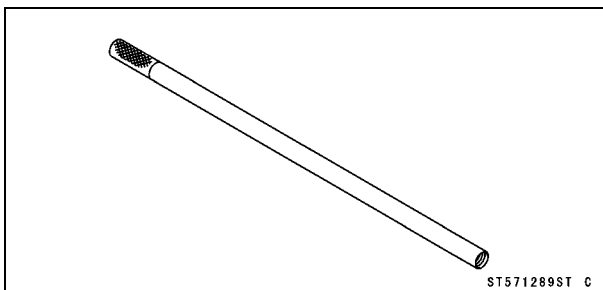
Jack:
57001-1238



Fork Oil Seal Driver, $\phi 43$:
57001-1530



Fork Piston Rod Puller, M12 \times 1.25:
57001-1289



13-8 SUSPENSION

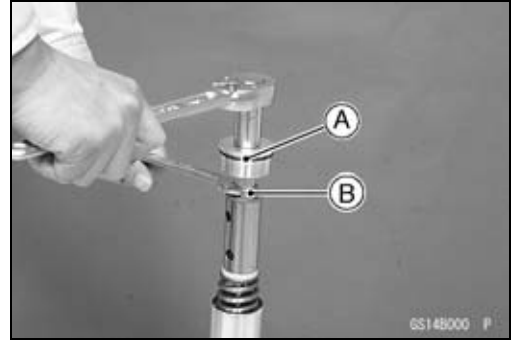
Front Fork

Fork Oil Change

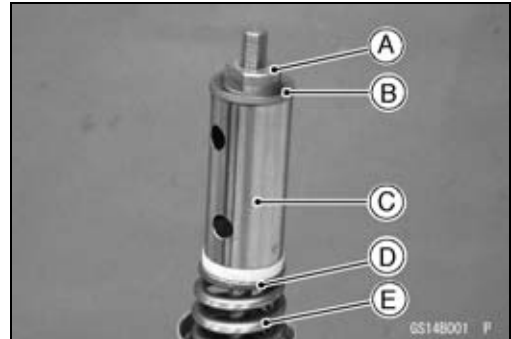
- Remove the front fork (see Front Fork Removal).
- Unscrew the top plug out of the outer tube.

Right Fork Leg

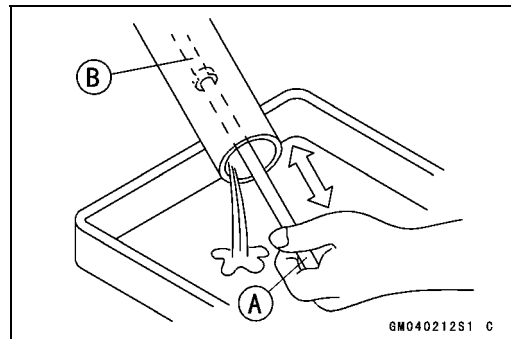
- Remove the top plug from the piston rod.



- Remove:
 - Piston Rod Nut [A]
 - Washer [B]
 - Collar [C]
 - Spring Seat [D]
 - Fork Spring [E]

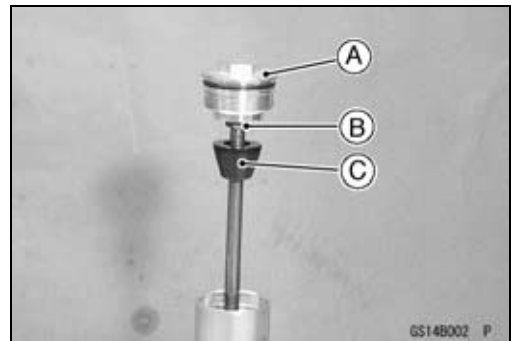


- Drain the fork oil into a suitable container.
- Using the piston rod puller [A] pump the piston rod [B] up and down at least ten times to expel the oil from the fork.



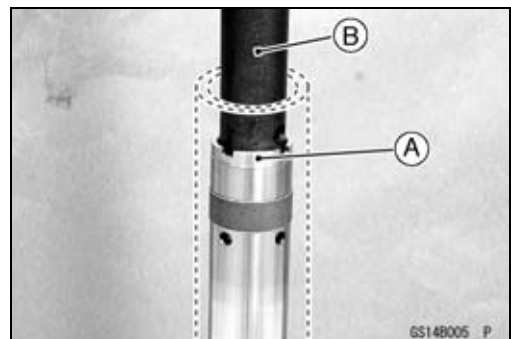
Left Fork Leg

- Use the wrenches on the top plug [A] and joint rod nut [B] to loosen the joint rod joint nut.
- Remove the top plug, joint rod nut and rubber stopper [C].



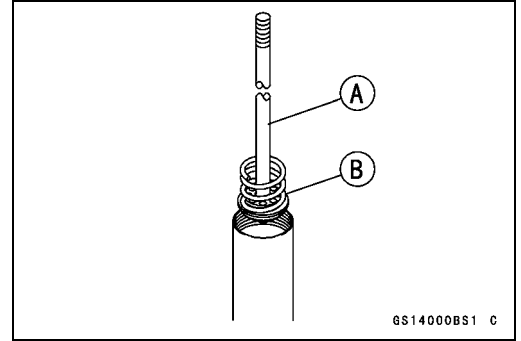
- Hold the inner tube in a vise.
- Unscrew the inner fork bolt [A] using the fork cylinder holder [B].

Special Tool - Fork Cylinder Holder : 57001-1502

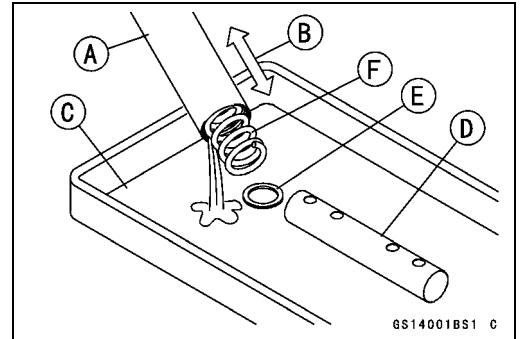


Front Fork

- Pull out the joint rod assy [A] together with the spring [B].

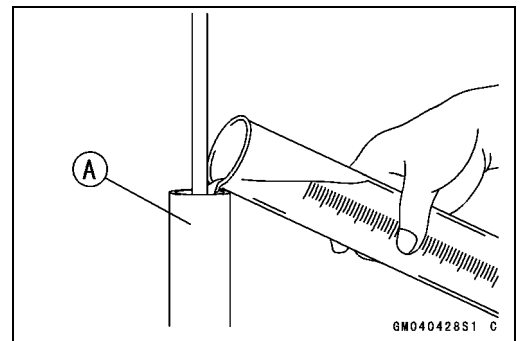


- Compress and extend [B] the fork [A] upside down to draw out the fork oil into a suitable container [C], then drop out the collar [D], washer [E] and fork spring [F].



Both Fork Legs

- Hold the fork tube upright, press the outer tube [A] and the piston rod (Right Fork Leg) all the way down.
- Pour in the type and amount of fork oil specified.



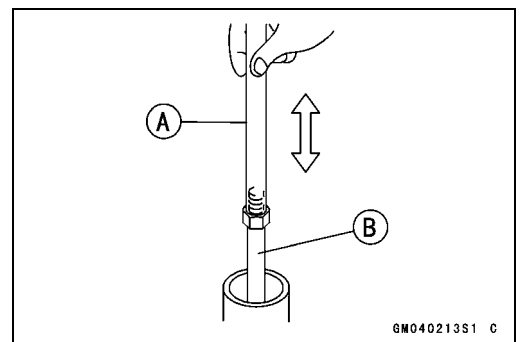
Fork Oil

Type:	SHOWA SS-8 or equivalent
Amount (Right Fork Leg):	
When changing oil:	approx. 430 mL (14.5 US oz.)
After disassembly and completely dry	507 ±2.5 mL (17.1 ±0.085 US oz.)
Amount (Left Fork Leg):	
When changing oil	approx. 510 mL (17.2 US oz.)
After disassembly and completely dry	601 ±2.5 mL (20.3 ±0.085 US oz.)

★ If necessary, measure the oil level as follows.

- Hold the inner tube vertically in a vise.
- Fork the right fork leg; using the piston rod puller [A], move the piston rod [B] up and down more than ten times in order to expel all the air from the fork oil.

Special Tool - Fork Piston Rod Puller, M12 × 1.25: 57001-1289



13-10 SUSPENSION

Front Fork

- Pump the outer tube several times to expel air bubbles.
- Wait until the oil level settles.
- With the fork fully compressed and the piston rod fully pushed in (Right Fork Leg), insert a tape measure or rod into the inner tube, and measure the distance from the top of the outer tube to the oil.

Oil Level (fully compressed, without spring)

Standard:

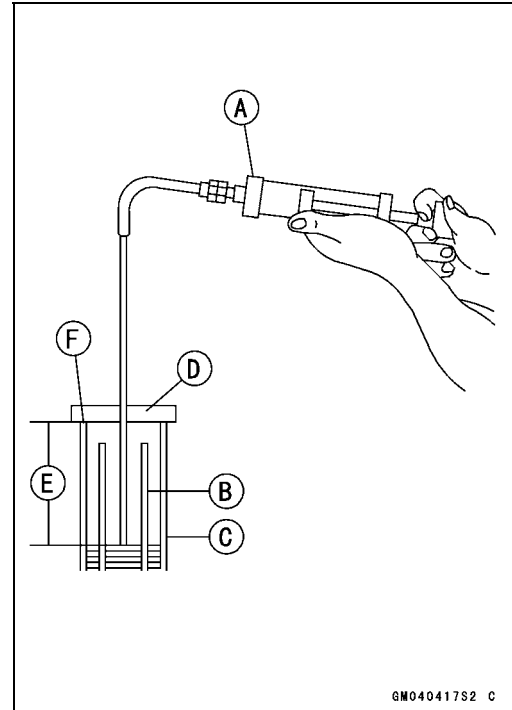
Right fork leg	142 ±2 mm (5.59 ±0.08 in.)
Left fork leg	136 ±2 mm (5.35 ±0.08 in.) (from the top of the outer tube)

NOTE

- Fork oil lever may also be measured using the fork oil level gauge.

Special Tool - Fork Oil Level Gauge: 57001-1290 [A]

- With the fork fully compressed and without fork spring, insert the gauge tube into the inner tube [B] and position the stopper across the top end [F] of the outer tube [C].
- Set the gauge stopper [D] so that its lower side shows the oil level distance specified [E].
- Pull the handle slowly to pump out the excess oil until the oil no longer comes out.
- ★ If not oil is pumped out, there is insufficient oil in the inner tube. Pour in enough oil, then pump out the excess oil as shown above.

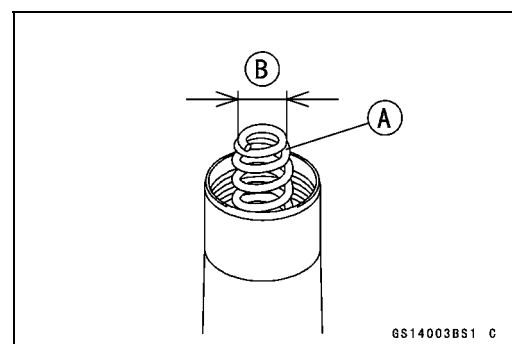
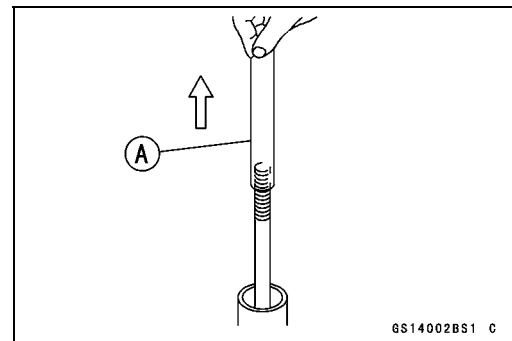


Right Fork Leg

- Screw the fork piston rod puller [A] onto the end of the rod.

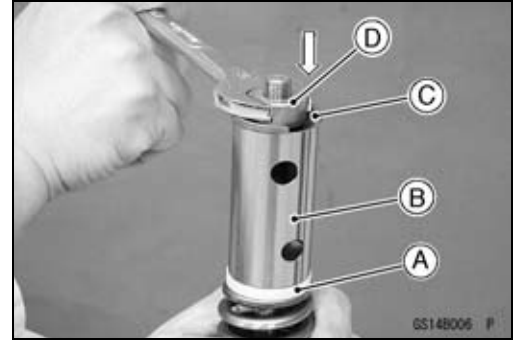
Special Tool - Fork Piston Rod Puller, M12 × 1.25: 57001-1289

- Pull the puller up above the outer tube top.
- Remove the fork piston rod puller.
- Install the fork spring [A] with the smaller end facing [B] upward.



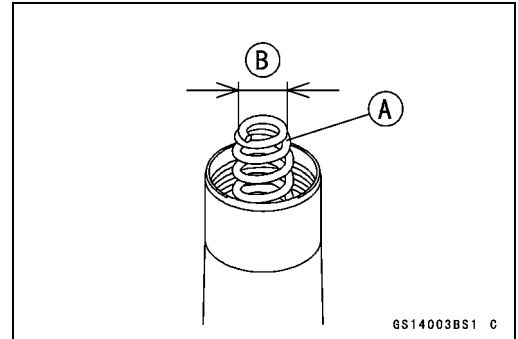
Front Fork

- Install:
 - Spring Seat [A]
 - Collar [B]
 - Washer [C]
- Screw the piston rod nut [D] stopped on to the piston rod.



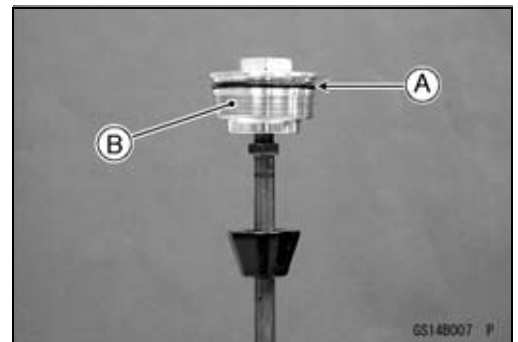
Left Fork Leg

- Install the fork spring [A] with the smaller end facing upward [B].
- Install:
 - Washer
 - Collar
 - Joint Rod Assy together with the spring
- Install the inner fork bolt using the fork cylinder holder.
 - Special Tool - Fork Cylinder Holder: 57001-1502**
- Tighten:
 - Torque - Inner Fork Bolt: 98 N·m (10 kgf·m, 72 ft·lb)**
- Install:
 - Rubber Stopper
- Screw the joint rod nut stopped on to the joint rod.

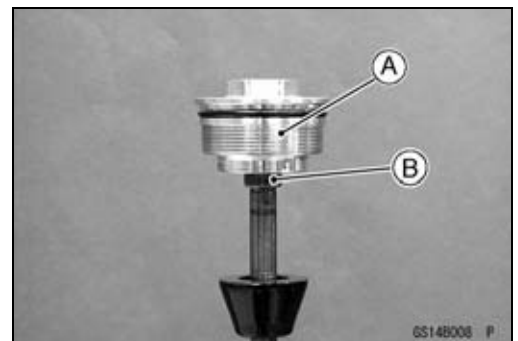


Both Fork Legs

- Replace the O-ring [A] with a new one.
- Apply grease to the O-ring.
- Screw in the top plug [B] stopped onto the piston rod or joint rod.



- Holding the top plug [A] with a wrench, tighten the piston rod nut [B] or joint rod nut against the top plug.
 - Torque - Piston Rod Nut: 20 N·m (2.0 kgf·m, 15 ft·lb)**
 - Joint Rod Nut: 20 N·m (2.0 kgf·m, 15 ft·lb)**
- Raise the outer tube and screw the top plug into it and install it.
- Tighten:
 - Torque - Front Fork Top Plug: 34 N·m (3.5 kgf·m, 25 ft·lb)**
- Install the front fork (see Front Fork Installation).



13-12 SUSPENSION

Front Fork

Front Fork Removal (each fork leg)

- Loosen the front axle nut (see wheels/Tires chapter).
- Using the jack [A] and attachment jack [B] under the frame pipe ribs [C], and a commercially available jack [D] under the engine [E], lift the front wheel [F] OFF the ground until the rear wheel [G] touches the ground.

Special Tools - Jack: 57001-1238

Attachment Jack: 57001-1398

CAUTION

Be sure to put the rear wheel on the ground when removing the front fork, or the motorcycle may fall over. The motorcycle could be damaged.

⚠ WARNING

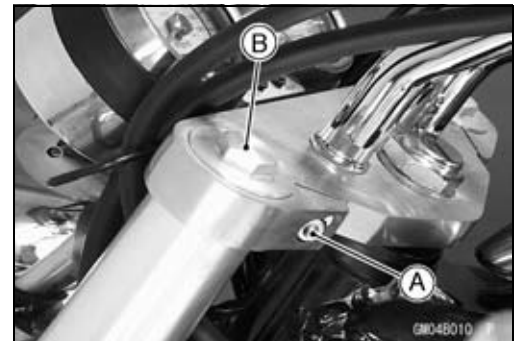
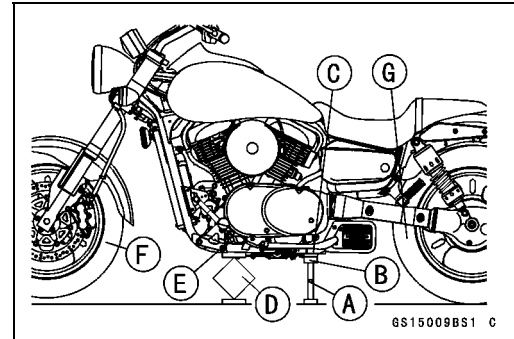
Be sure to put the rear wheel on the ground when removing the front fork, or the motorcycle may fall over. It could cause an accident and injury.

- Remove:
 - Front wheel (see Wheels/Tires chapter)
 - Front Fender (see Frame chapter)
- ★ Loosen the upper fork clamp bolt [A] and fork top plug [B] before hand if the fork leg is to be disassembled.

NOTE

○ Loosen the fork top plug after loosening the upper fork clamp bolt.

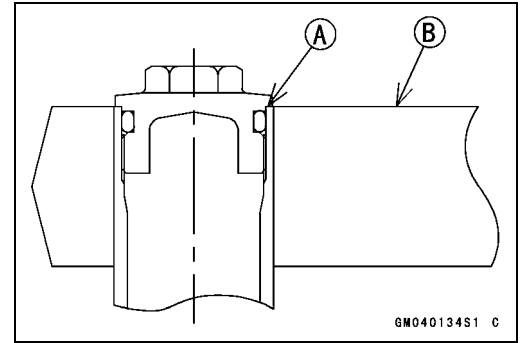
- Loosen the turn signal nuts [A].
- Loosen the upper fork clamp bolt and lower fork clamp bolts [A].
- With a twisting motion work the fork leg down out.



Front Fork

Front Fork Installation (each fork leg)

- Install the fork so that the top end [A] of the outer tube is flush with the upper surface [B] of the steering stem head bracket.
- Tighten the lower fork clamp bolts and fork top plug.
Torque - Front Fork Clamp Bolts (Lower): 29 N·m (3.0 kgf·m, 21 ft·lb)
Front Fork Top Plug: 34 N·m (3.5 kgf·m, 25 ft·lb)
- Tighten the upper fork clamp bolt.
Torque - Front Fork Clamp Bolt (Upper): 29 N·m (3.0 kgf·m, 21 ft·lb)



NOTE

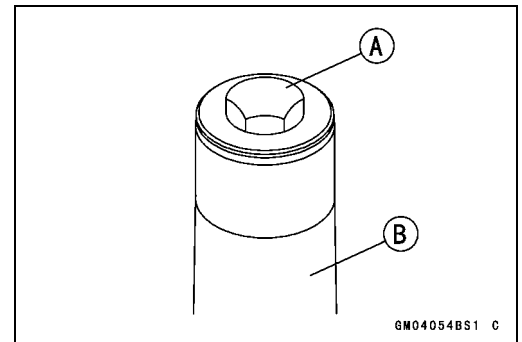
- Tighten the top plug before tightening the upper fork clamp bolt.
- Tighten the two clamp bolts alternately two times to ensure even tightening torque.
- Install the removed parts (see appropriate chapters).
- Check the front brake effectiveness after installation.

⚠ WARNING

Do not attempt to ride the motorcycle until a full brake lever is obtained by pumping the brake lever until the pads are against the disc. The brake will not function on the first application of the lever if this is not done.

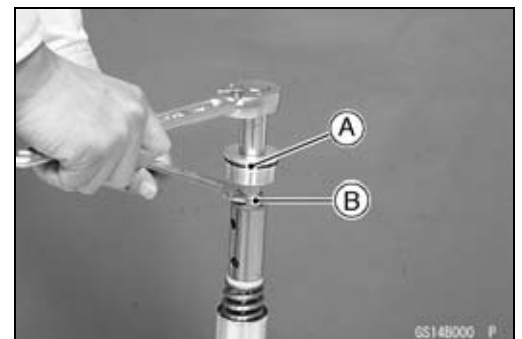
Front Fork Disassembly

- Remove the front fork (see Front Fork Removal).
- Unscrew the fork top plug [A] from the outer tube [B].



Right Fork Leg

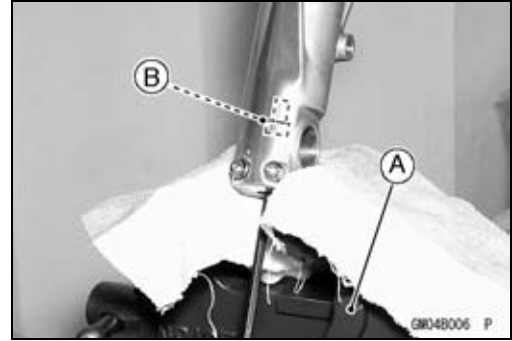
- Use the wrenches on the top plug [A] and piston rod nut [B] loosen the piston rod nut.
- Remove the top plug.



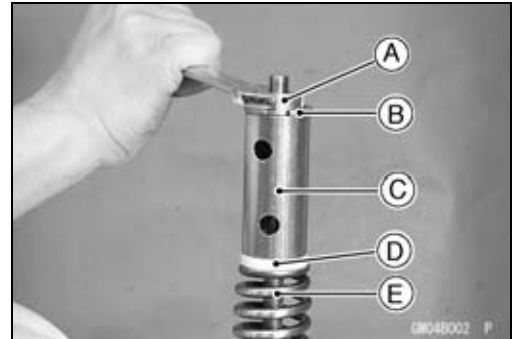
13-14 SUSPENSION

Front Fork

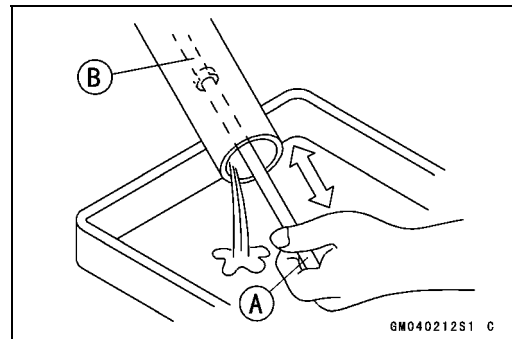
- Hold the fork leg with a vise [A].
- Loosen the Allen bolt [B] and tighten it loosely.



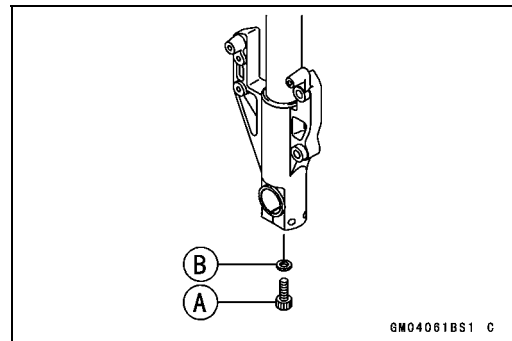
- Remove:
 - Piston Rod Nut [A]
 - Stopper [B]
 - Coller [C]
 - Spring Joint [D]
 - Fork Spring [E]



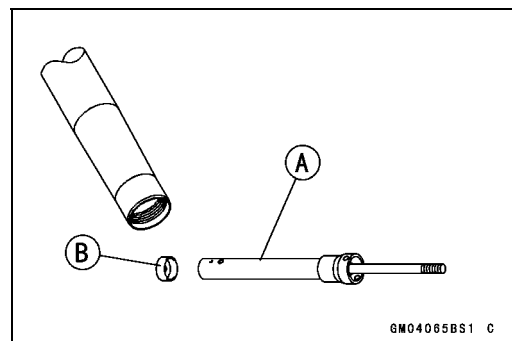
- Drain the fork oil into a suitable container.
 - Using the piston rod puller [A], pump the piston rod up and down at least ten times to expel the oil from the fork.



- Unscrew the bottom Allen bolt, then take the bolt [A] and gasket [B] out of the bottom of the inner tube.



- Take out the cylinder unit [A] and centering plate [B].
 - Do not disassemble the cylinder unit.



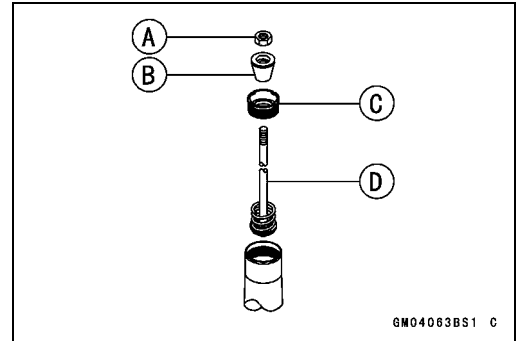
Front Fork

Left Fork Leg

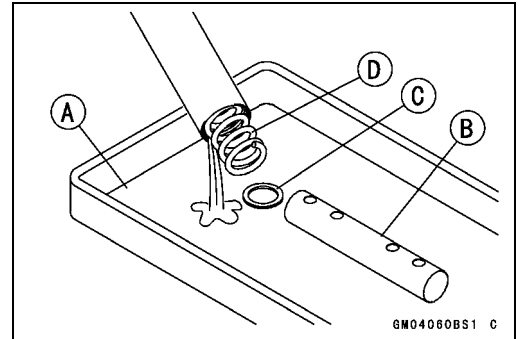
○Refer to the Fork Oil Change for the Left Fork Leg disassembly.

- Remove:
 - Joint Rod Nut [A]
 - Rubber Stopper [B]
 - Inner Fork Bolt [C]
 - Joint Rod Assy [D] with Spring

Special Tool - Fork Cylinder Holder: 57001-1502

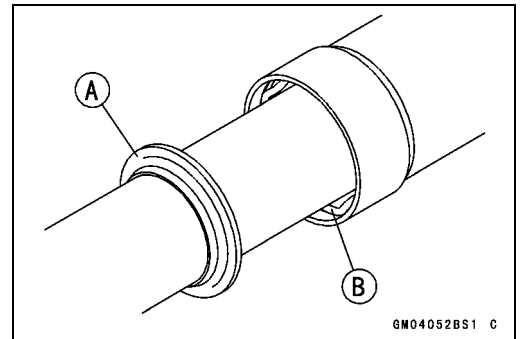


- Drain the fork oil into a suitable container [A].
- Remove:
 - Coller [B]
 - Washer [C]
 - Fork Spring [D]

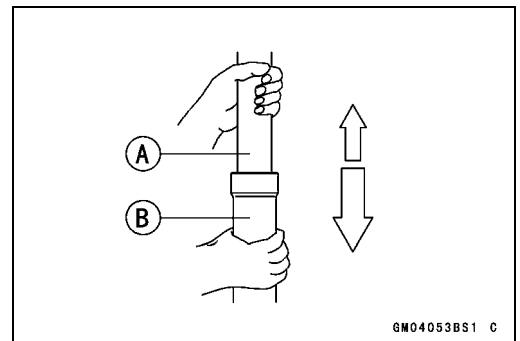


Both Fork Legs

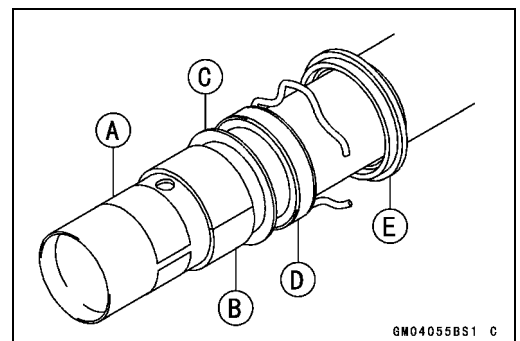
- Separate the inner tube from the outer tube as follows:
 - Pull out the dust seal [A] from the outer tube.
 - Remove the retaining ring [B] from the outer tube.



○Holding the inner tube [A] by hand, pull the outer tube [B] several times to pull out the outer tube.



- Remove the slide bushing [A], guide bushing [B], washer [C], oil seal [D], and dust seal [E] from the inner tube.

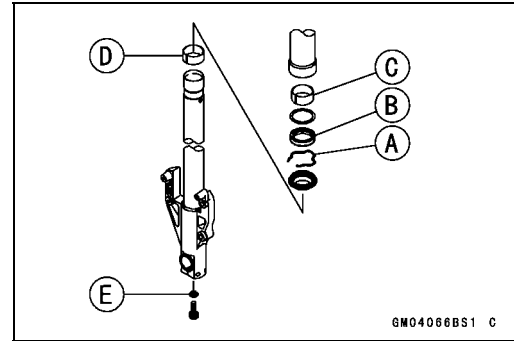


13-16 SUSPENSION

Front Fork

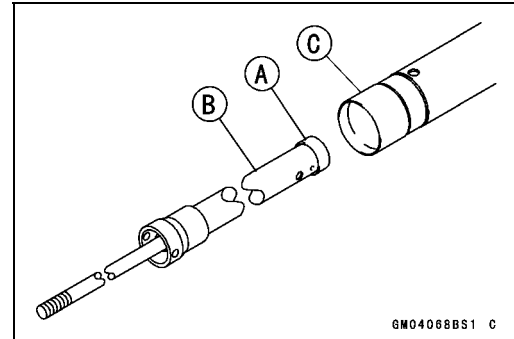
Front Fork Assembly

- Replace the following parts with new ones after removal.
 - Retaining Ring [A]
 - Oil Seal [B]
 - Slide Bushing [C]
 - Guide Bushing [D]
 - Bottom Allen Bolt Gasket [E] (Right Fork Leg)



Right Fork Leg

- Install the centering plate [A] onto the bottom end of the cylinder unit [B].
- Put the cylinder unit with the centering plate into the inner tube [C].
- Apply a non-permanent locking agent to the bottom Allen bolt.
- Temporarily tighten the bottom Allen bolt.



Both Fork Legs

- Install the following parts into the inner tube.
 - Dust Seal
 - Retaining Ring
 - Oil Seal
 - Washer
 - Guide bushing
 - Slide bushing
- Apply molybdenum disulfide grease to the oil seal lips and install the guide bushing [A] washer [C] and the oil seal [D] into the outer tube.
- The split [B] of the guide bushing should face toward the side of the vehicle.
- Face the flat side [E] of the seal upward.
- Tapping the oil seal with the fork oil seal driver until it stops.

Special Tool - Front Fork Oil Seal Driver [F]: 57001-1530

- Install:
 - Retaining Ring
 - Dust Seal
- Pour in the specified type of oil and install the parts removed (see Fork Oil change).
 - Outer Tube [A]

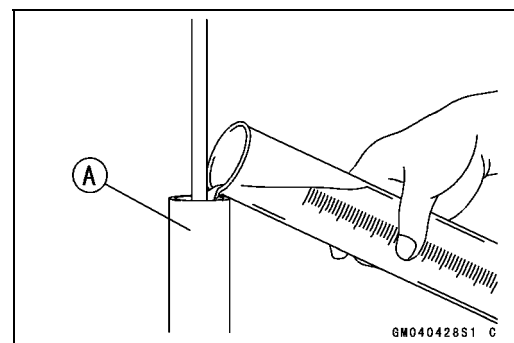
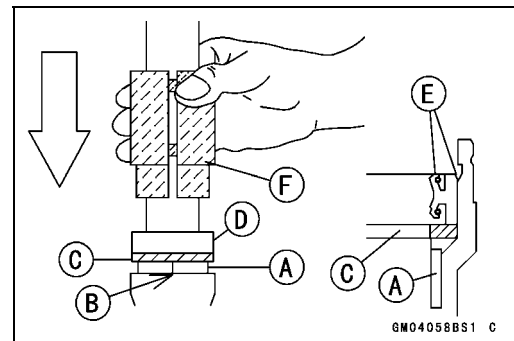
Fork Oil:

Type: SHOWA SS-8 or equivalent

Capacity (completely disassembled and dry):

Right Side 507 ±2.5 mL (17.1 ±0.085 US oz.)

Left Side 601 ±2.5 mL (20.3 ±0.085 US oz.)

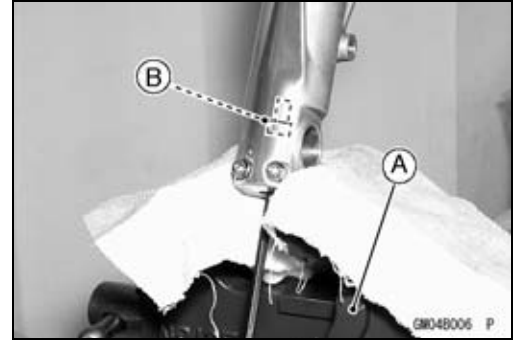


Front Fork

Right Fork

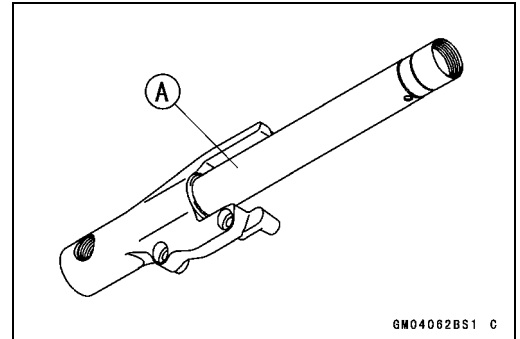
- Hold the front fork with a vise [A].
- Tighten the Allen bolt [B].

Torque - Bottom Allen Bolt: 20 N·m (2.0 kgf·m, 15 ft·lb)



Inner Tube, Outer Tube Inspection

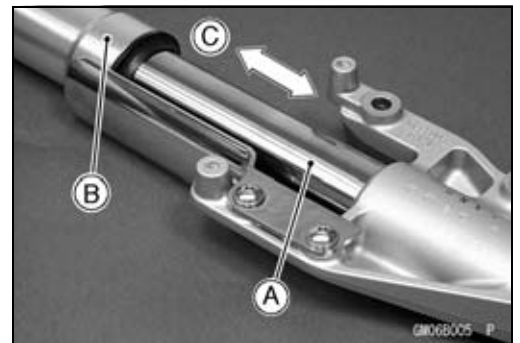
- Visually inspect the inner tube [A] and repair any damage.
- Nick or rust damage can sometimes be repaired by using a wet-stone to remove sharp edges or raised areas which cause seal damage.
- ★ If the damage is not repairable, replace the inner tube. Since damage to the inner tube damages the oil seal, replace the oil seal whenever the inner tube is repaired or replaced.



CAUTION

If the inner tube is badly bent or creased, replace it. Excessive bending, followed by subsequent straightening, can weaken the inner tube.

- Temporarily assemble the inner tube [A] and outer tube [B], and pump [C] them back and forth manually to check for smooth operation.
- ★ If you feel binding or catching, the inner and outer tubes must be replaced.

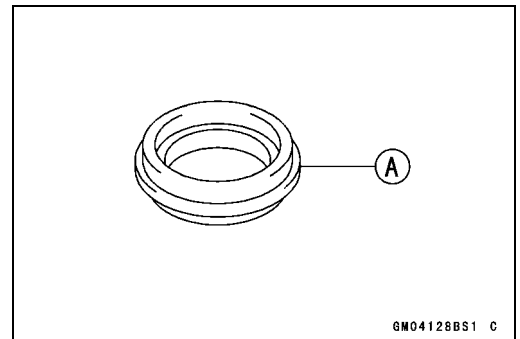


⚠ WARNING

A straightened inner or outer fork tube may fail in use, possibly, causing an accident. Replace a badly bent or damaged inner or outer tube, and inspect the other tube carefully before reusing it.

Dust Seal Inspection

- Inspect the dust seal [A] for any signs of deterioration or damage.
- ★ Replace it if necessary.



13-18 SUSPENSION

Front Fork

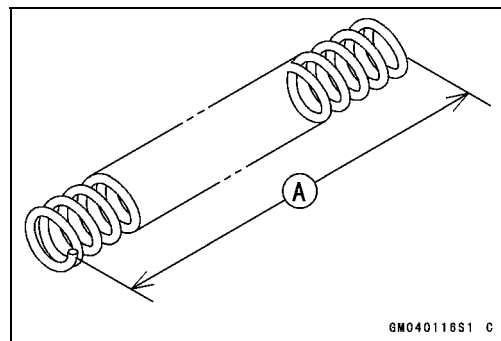
Spring Inspection

- Since the fork spring becomes shorter as it weakens, check its free length [A] to determine its condition.
- ★ If the spring of either fork leg is shorter than the service limit, it must be replaced. If the length of the replacement spring and that of the remaining spring vary greatly, the remaining spring should also be replaced in order to keep the fork legs balanced for motorcycle stability.

Fork Spring Free Length

Standard: 333.7 mm (13.14 in.)

Service Limit: 327 mm (12.9 in.)

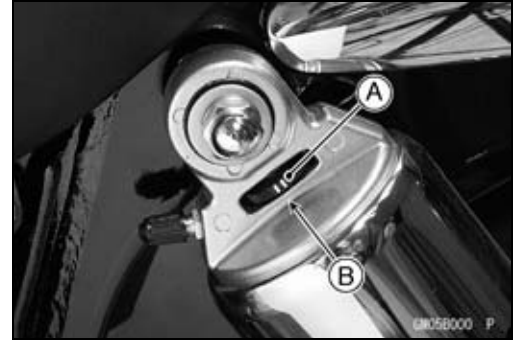


Rear Shock Absorber (Air Type)

Rebound Damping Adjustment

The rebound damping force adjuster on each rear shock absorber has 4 positions so that the rebound damping force can be adjusted for different road and loading conditions. The numbers on the adjuster show the setting position.

- Turn the adjuster [A] until the desired number [B].
- The standard adjuster setting is **No.II** for an average-build rider of 68 kg (150 lb) with no passenger and no accessories.
- ★ If the damper setting feels too soft or too stiff, adjust it in accordance with the following table.



Rebound Damping Adjustment

Adjuster Position	Damping Force	Setting	Load	Road	Speed
I	Weak	Soft	Light	Good	Low
II	↑	↑	↑	↑	↑
III	↓	↓	↓	↓	↓
IIII	Strong	Hard	Heavy	Bad	High

▲ WARNING

If both adjusters are not adjusted equally, handling may be impaired and a hazardous condition may result.

Air Pressure Adjustment

The air pressure in the rear shock absorbers can be adjusted for different road and loading conditions.

The following table shows an example of air pressure adjustment. To obtain stable handling and a suitable ride, adjust the air pressure as indicated. The standard air pressure is **atmospheric pressure** for an average-build rider of 68 kg (150 lb) with no passenger and no accessories. Ordinarily, the heavier the total load becomes, the higher the air pressure should be set.

Air Pressure Adjustment

Air Pressure	Setting	Load	Road
0 kPa (0 kgf/cm ² , 0 psi)	Soft	Light	Good
↑	↑	↑	↑
↓	↓	↓	↓
290 kPa (3.0 kgf/cm ² , 43 psi)	Hard	Heavy	Bad

- Adjust the air pressure.

NOTE

- Check and adjust the air pressure when the rear shock absorbers are cold (room temperature).

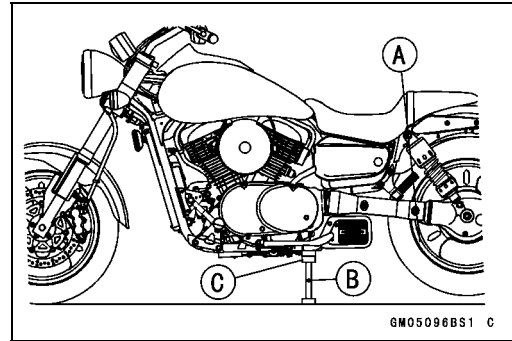
13-20 SUSPENSION

Rear Shock Absorber (Air Type)

- Raise the rear wheel [A] off the ground, using the jack [B], and the attachment jack [C].

Special Tools - Jack: 57001-1238

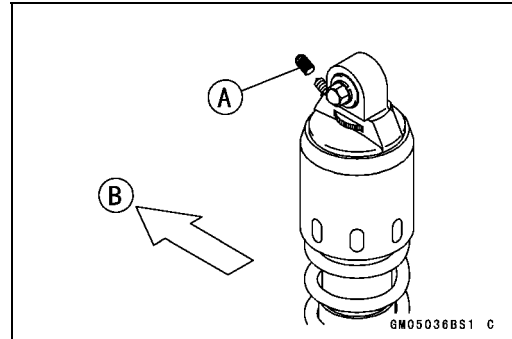
Attachment Jack: 57001-1398



- Take off each air valve cap [A] on the right and left shock absorbers.
Front [B]
- Check the air pressure with the air pressure gauge.

NOTE

○ Do not use tire gauges for checking air pressure. They may not indicate the correct air pressure because of air leakage that occur when the gauge is applied to the valve.



- To lower the air pressure, push the valve core in slightly.
To raise the pressure, inject air through the valve with a tire pump. Change the air pressure within the range specified in the preceding table to suit various riding conditions.

CAUTION

Inject air little by little so that air pressure does not rise rapidly. Air pressure exceeding 490 kPa (5.0 kgf/cm², 71 psi) may damage the oil seal.

Try to set the air pressure of the right and left shock absorbers as equally as possible.

⚠ WARNING

Be sure to adjust the air pressure within the usable range. Pressure too high can produce a hazardous riding condition.

Only air or nitrogen gas can be used. Never inject oxygen or any kind of explosive gas.

Rear Shock Absorber (Air Type)

Rear Shock Absorber Removal

- Lift the rear wheel off the ground, using the jack and the attachment jack.

Special Tools - Jack: 57001-1238

Attachment Jack: 57001-1398

- Squeeze the brake lever slowly and hold it with a band [A].



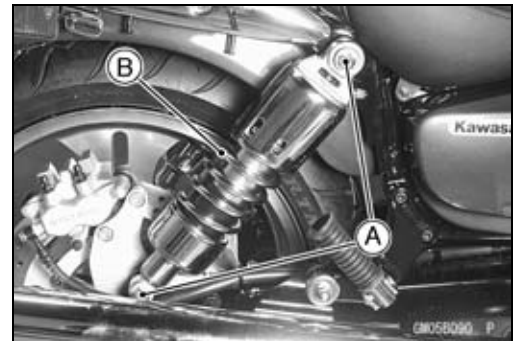
CAUTION

Be sure to hold the front brake when removing the shock absorber, or the motorcycle may fall over. The motorcycle could be damaged.

⚠ WARNING

Be sure to hold the front brake when removing the shock absorber, or the motorcycle may fall over. It could cause an accident and injury.

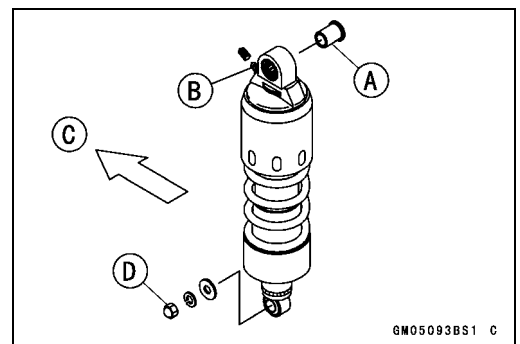
- Remove the cap nuts [A], lock washers, and flat washers from both ends of the rear shock absorber [B].
- Pull the rear shock absorber off the frame.



Rear Shock Absorber Installation

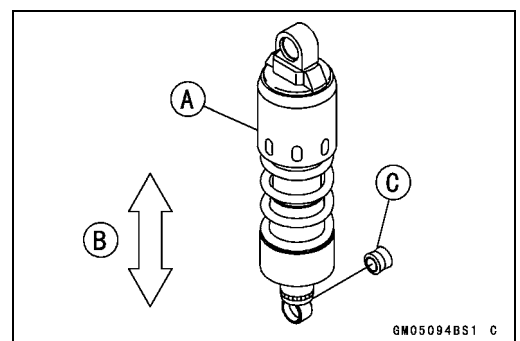
- Install the sleeve [A] so the flange side faces inside.
- Install the rear shock absorber so that the air valve [B] faces forward [C].
- Tighten the rear shock absorber nuts (cap nuts) [D] to the specified torque.

Torque - Rear Shock Absorber Nuts: 34 N·m (3.5 kgf·m, 25 ft·lb)



Rear Shock Absorber Inspection

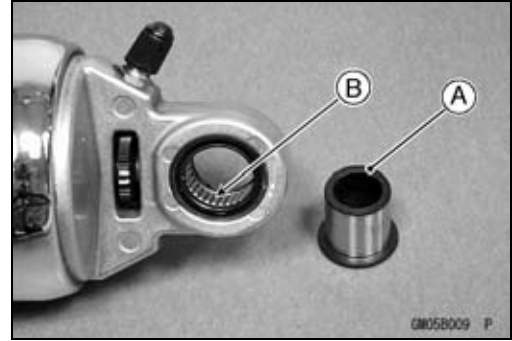
- Remove the rear shock absorbers [A].
- Visually inspect the following items.
 - Smooth Stroke [B]
 - Oil Leakage (see Periodic Maintenance chapter)
 - Crack or Dent
- ★ If there is any damage to the rear shock absorber, one unit feels weaker than the other, replace both shock absorbers as a set.
- Visually inspect the rubber bushings [C].
- ★ If they show any signs of damage, replace them.



13-22 SUSPENSION

Rear Shock Absorber (Air Type)

- Visually inspect the shock absorber sleeves [A] and needle bearings [B].
- The roller in a needle bearing normally wear very little, and wear is difficult to measure. Instead of measuring, inspect the bearing in the shock absorber for abrasion, color change, or other damage.
- ★ If there is any doubt as to the condition of any of the needle bearings or sleeves, replace the sleeves, and needle bearings as a set.



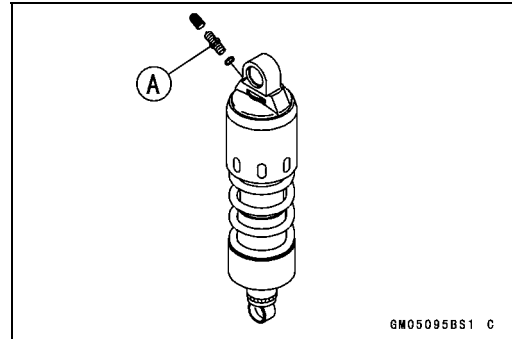
Scrapping

- Remove the rear shock absorber (see Rear Shock Absorber Removal).

⚠ WARNING

Since the rear shock absorber contains air, do not incinerate the rear shock absorber without first releasing the air or it may explode.

Before a rear shock absorber is scrapped, remove the air valve [A].



Swingarm

Swingarm Removal

- Remove:
 - Bolts [A] and Washers
 - Swingarm Cover [B]

- Remove the rear exhaust pipe (see Engine Top End chapter).
- Loosen:
 - Premuffler Chamber Bolt [A]
 - Front Exhaust Pipe Clamp Bolt [B]
- Remove:
 - Swingarm Pivot Cap [C]

- Before removing the swingarm, unscrew the banjo bolt [A] on the rear caliper [B].
- Temporarily secure the end of the brake hose to some high place to keep fluid loss to a minimum.
- Immediately wash away any brake fluid that spills.
- Detach the rear brake hose [C] from the holders [D] on the swingarm.
- Using the jack and attachment jack under the frame pipe ribs, lift the rear wheel OFF the ground until the front wheel touches the ground (see Rear Shock Absorber Removal).

Special Tools - Jack: 57001-1238

Attachment Jack: 57001-1398

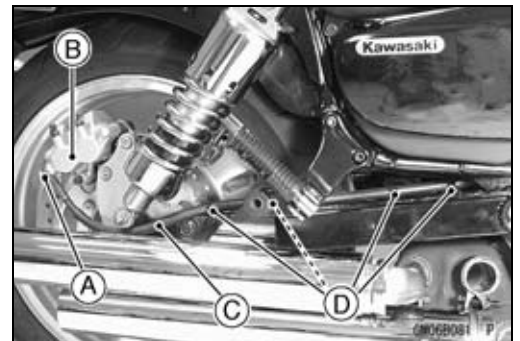
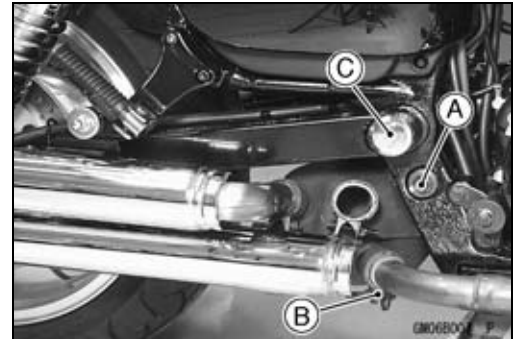
- Squeeze the brake lever slowly and hold it with a band [A].

CAUTION

Be sure to hold the front brake when removing the swingarm, or the motorcycle may fall over. The motorcycle could be damaged.

⚠ WARNING

Be sure to hold the front brake when removing the swingarm, or the motorcycle may fall over. It could cause an accident and injury.



13-24 SUSPENSION

Swingarm

- Remove:
 - Rear Wheel (see Wheels/Tires chapter)
 - Final Gear Case (see Final Drive chapter)
- Remove the right rear shock absorber.
- Unscrew the pivot shaft [A], and pull it out while turning.
- Pull the swingarm [B] rearward, and take it off.

CAUTION

Do not tap the swingarm pivot shaft when removing or installing. Push or pull the pivot shaft while turning the shaft. Tapping on the shaft could damage the needle bearings in the swingarm.

Swingarm Installation

- Apply grease to the needle bearings and grease seals.
- Apply grease to the threads [A] of the swingarm pivot shaft.
- Tighten:

Torque - Swingarm Pivot Shaft: 108 N·m (11 kgf·m, 79.6 ft·lb)

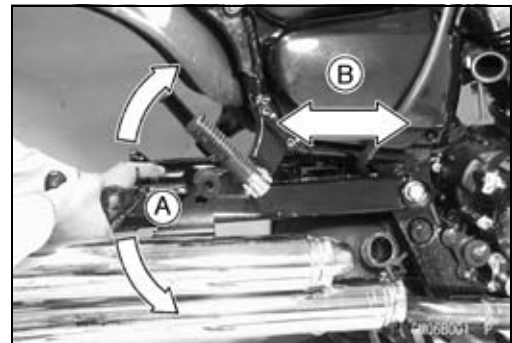
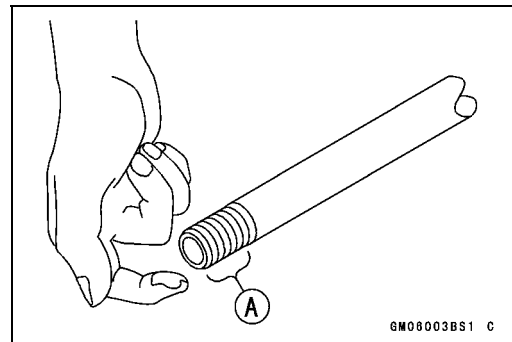
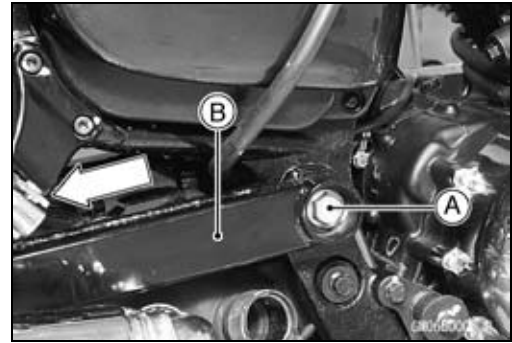
- Move the swingarm up and down [A] to check for abnormal friction, and push and pull [B] it to check for bearing play.
- Tighten:

Torque - Rear Shock Absorber Nuts: 34 N·m (3.5 kgf·m, 25 ft·lb)

Rear Caliper Mounting Bolts: 34 N·m (3.5 kgf·m, 25 ft·lb)

Rear Caliper Holder Bolt: 64 N·m (6.5 kgf·m, 47 ft·lb)

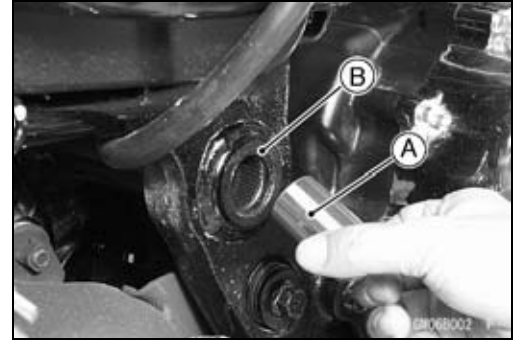
- Install:
 - Final Gear Case (see Final Drive chapter)
 - Rear Wheel (see Wheels/Tires chapter)
- Tighten:
 - Muffler Stay Bolt (see Engine Top End chapter)
 - Premuffler Chamber Bolt (see Engine Top End chapter)
- Apply a non-permanent locking agent to the swingarm cover bolts.
- Tighten the swingarm cover bolts.
- After installing the swingarm, replenish the brake fluid into the reservoir and bleed the brake line (see Brake Line Bleeding in Brakes chapter).



Swingarm

Swingarm Bearing Removal

- Remove:
 - Swingarm (see Swingarm Removal)
 - Propeller Shaft (see Final Drive chapter)
 - Right and Left Sleeves [A]
 - Right and Left Grease Seals [B]



- Remove the needle bearings, using the oil seal & bearing remover [A].

Special Tool - Oil Seal & Bearing Remover: 57001-1058

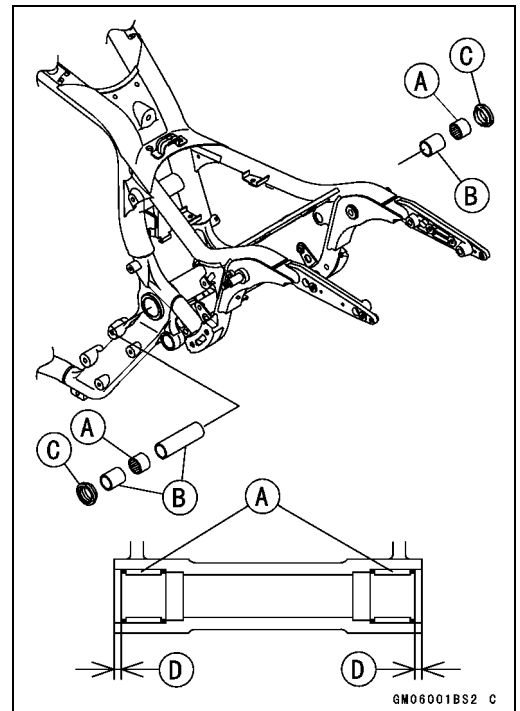
- Replace the bearings and sleeves with new ones.
- Remove the other side bearing in the same manner.



Swingarm Bearing Installation

- Apply plenty of grease to the needle bearings, and sleeve.
- Be sure to install the needle bearings so that the manufacturer's marks are faced out. This prevents bearing from damage.
- Position the bearings [A] as shown, using a suitable bearing driver in the bearing driver set.
 - Sleeves [B]
 - Grease Seals [C]
 - 6 mm (0.24 in.) [D]

Special Tool - Bearing Driver Set: 57001-1129

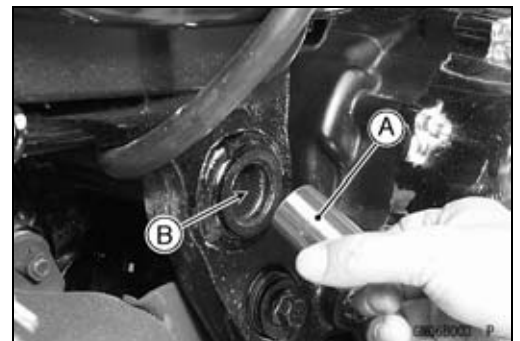


Swingarm Bearing, Sleeve Inspection

CAUTION

Do not remove the needle bearings for inspection. Remove may damage them.

- Visually inspect the swingarm sleeves [A] and needle bearings [B].
- The rollers in a needle bearing normally wear very little, and wear is difficult to measure. Instead of measuring, inspect the bearing in the swingarm for abrasion, color change, or other damage.
- ★ If there is any doubt as to the condition of any of the needle bearings or sleeve, replace the sleeve, and needle bearings as a set.



13-26 SUSPENSION

Swingarm

Grease Seal and Needle Bearing Lubrication

- Refer to the Swingarm Pivot Lubrication in the Periodic Maintenance chapter.

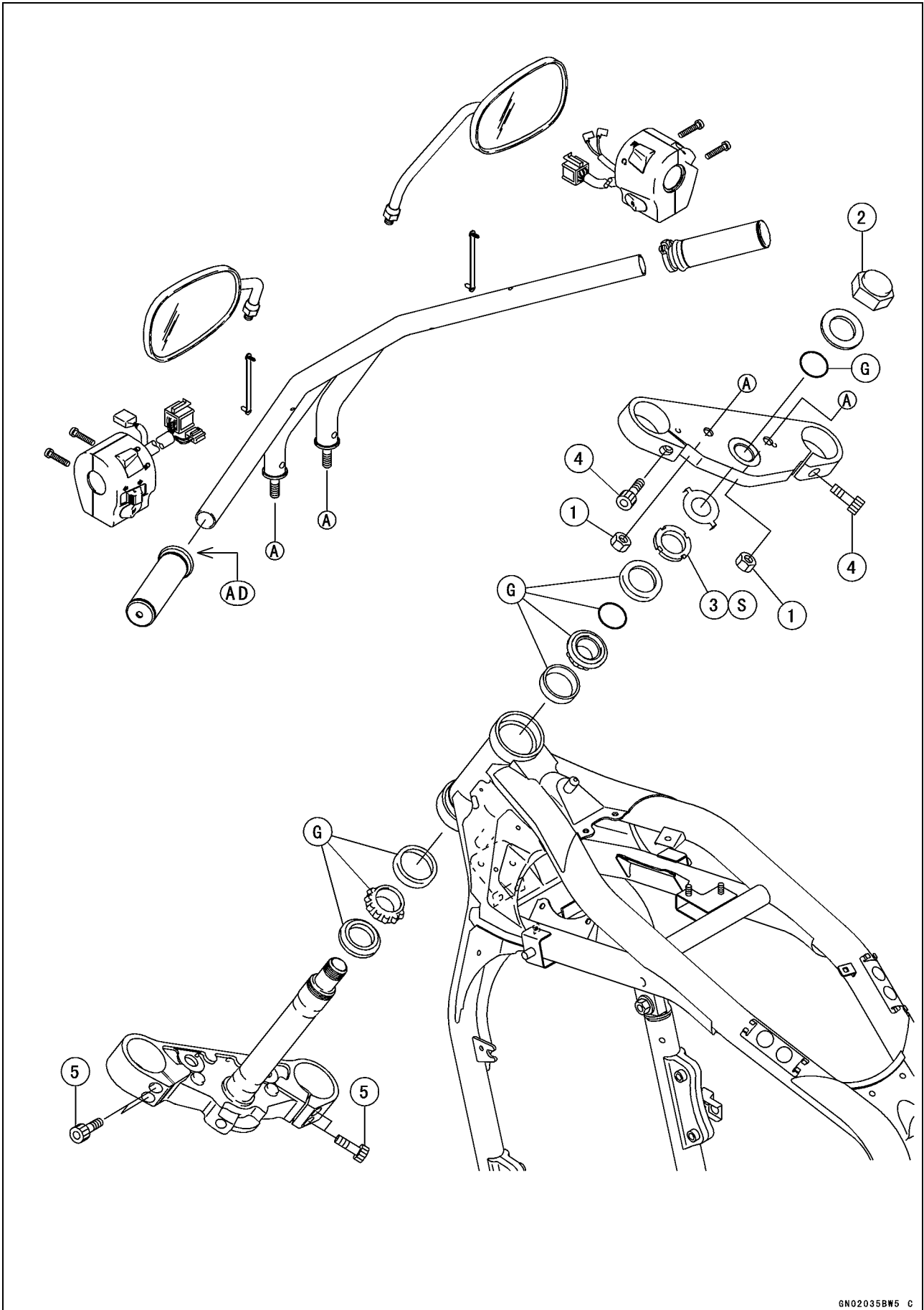
Steering

Table of Contents

Exploded View	14-2
Special Tools	14-4
Handlebar	14-5
Handlebar Removal	14-5
Handlebar Installation	14-5
Steering	14-7
Steering Check	14-7
Steering Adjustment	14-7
Steering Stem	14-8
Steering Stem Removal	14-8
Steering Stem Installation	14-10
Steering Stem Warp	14-11
Steering Stem Bearing	14-12
Stem Bearing Removal	14-12
Stem Bearing Installation	14-12
Stem Bearing Lubrication	14-13
Stem Cap Deterioration, Damage	14-13

14-2 STEERING

Exploded View



Exploded View

No.	Fastener	Torque			Remarks
		N·m	kgf·m	ft·lb	
1	Handlebar Nuts	34	3.5	25	
2	Steering Stem Head Nut	88	9.0	65	
3	Steering Stem Nut	4.9	0.50	43 in·lb	S
4	Front Fork Clamp Bolts (Upper)	29	3.0	21	
5	Front Fork Clamp Bolts (Lower)	29	3.0	21	AL

AD: Apply adhesive.

AL: Tighten the two clamp bolts alternately two times to ensure even tightening torque.

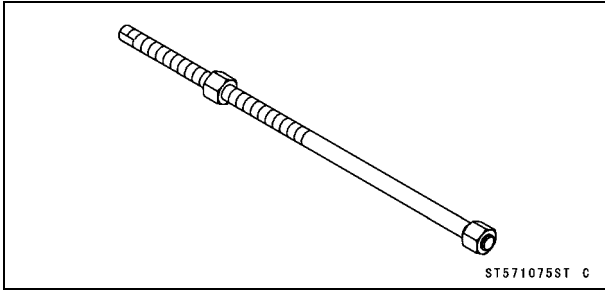
G: Apply grease.

S: Follow the specific tightening sequence.

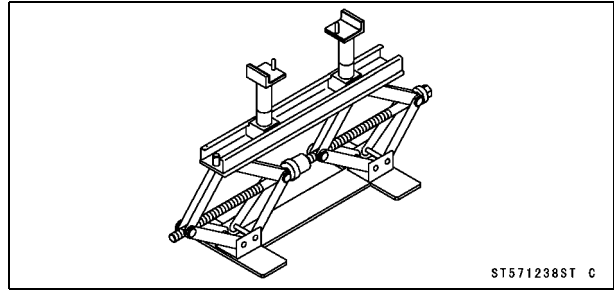
14-4 STEERING

Special Tools

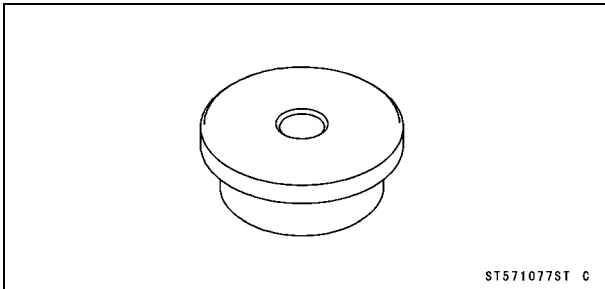
Head Pipe Outer Race Press Shaft:
57001-1075



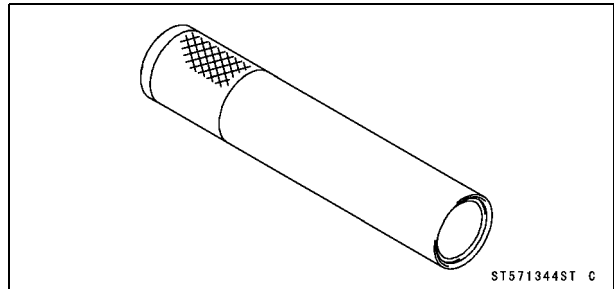
Jack:
57001-1238



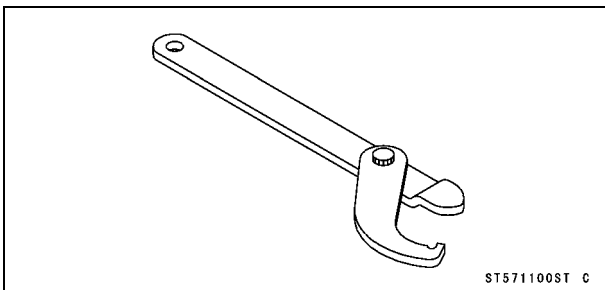
Head Pipe Outer Race Driver, $\phi 54.5$:
57001-1077



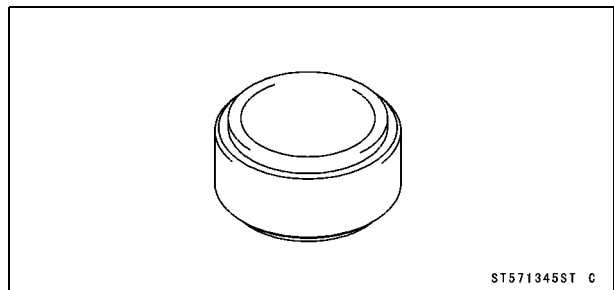
Steering Stem Bearing Driver, $\phi 42.5$:
57001-1344



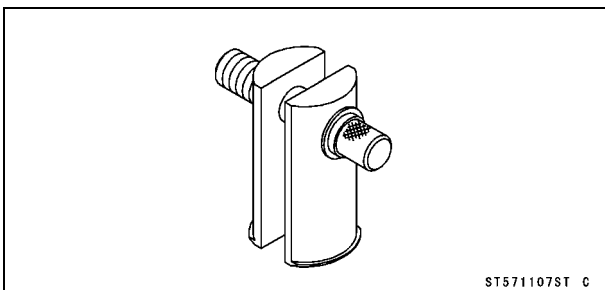
Steering Stem Nut Wrench:
57001-1100



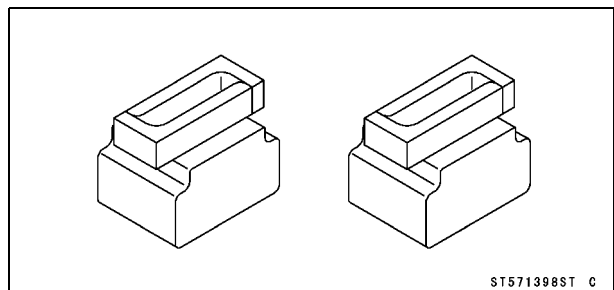
Steering Stem Bearing Driver Adapter, $\phi 41.5$:
57001-1345



Head Pipe Outer Race Remover ID > 37 mm:
57001-1107



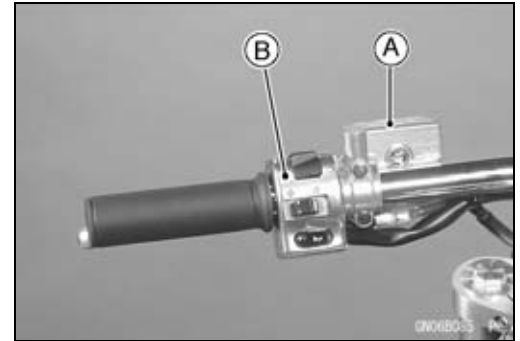
Attachment Jack:
57001-1398



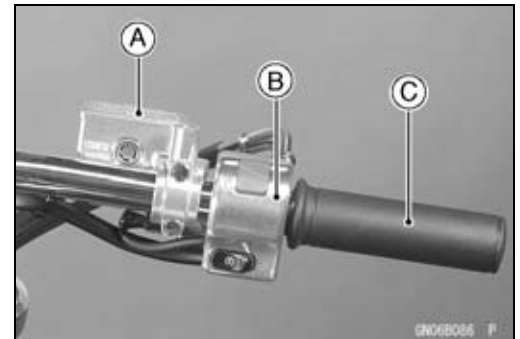
Handlebar

Handlebar Removal

- Remove:
 - Clutch Master Cylinder [A]
 - Left Handlebar Switch Housing [B]



- Front Brake Master Cylinder [A]
- Right Handlebar Switch Housing [B]
- Throttle Grip [C]

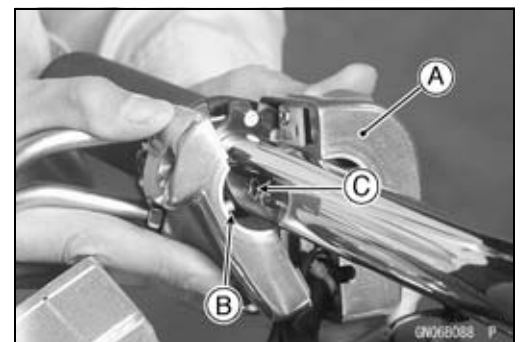


- Unscrew the nuts [A] and remove the handlebar [B] from the stem head.

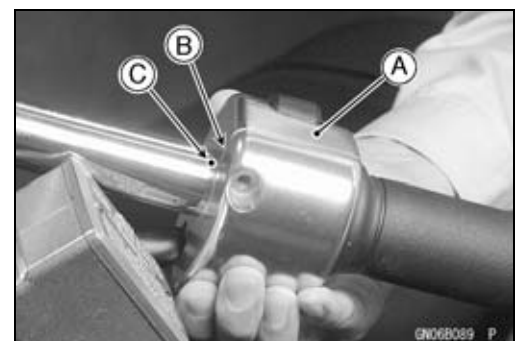


Handlebar Installation

- Tighten the handlebar nuts.
 - Torque - Handlebar Nuts: 34 N·m (3.5 kgf·m, 25 ft·lb)**
- The front half of the right handlebar switch housing [A] has a small projection [B]. Fit the projection into the small hole [C] in the handlebar.



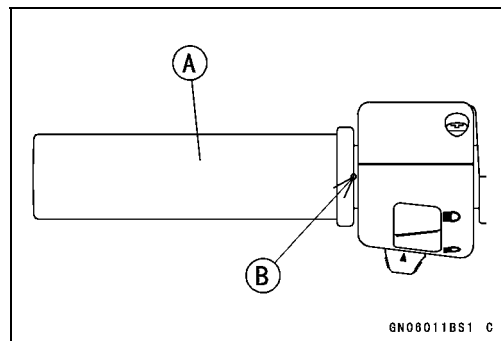
- Set the left handlebar switch housing [A] to match its mating surface [B] to the punched mark [C] of the handlebar.
- Install the handlebar switch housings.
- Install:
 - Clutch Master Cylinder (see Clutch chapter)
 - Front Brake Master Cylinder (see Brakes chapter)



14-6 STEERING

Handlebar

- Apply adhesive the inside the left grip [A].
- Insert the left grip until punched mark [B] in the handlebar.
- Check and adjust the throttle cables and rear view mirrors.



Steering

Steering Check

- Refer to the Steering Check in the Periodic Maintenance chapter.

Steering Adjustment

- Refer to the Steering Adjustment in the Periodic Maintenance chapter.

14-8 STEERING

Steering Stem

Steering Stem Removal

- Using the jack [A] and attachment jack [B] under the frame pipe ribs [C], and a commercially available jack [D] under the engine [E], lift the front wheel [F] **OFF** the ground until the rear wheel [G] touches the ground.

Special Tools - Jack: 57001-1238

Attachment Jack: 57001-1398

- Remove the front wheel (see Tires/Wheels chapter).

CAUTION

Be sure to put the rear wheel on the ground when removing the steering, or the motorcycle may fall over. The motorcycle could be damaged.

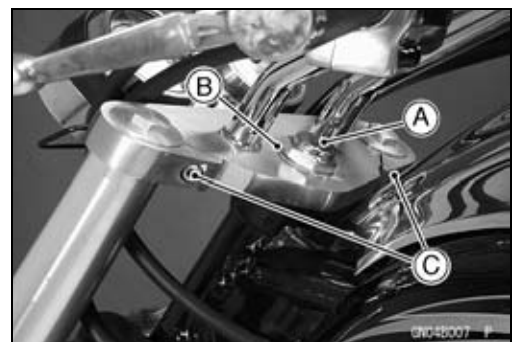
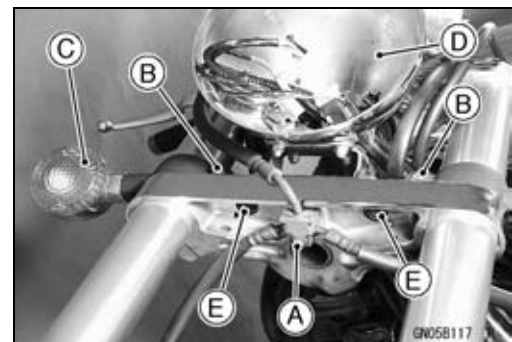
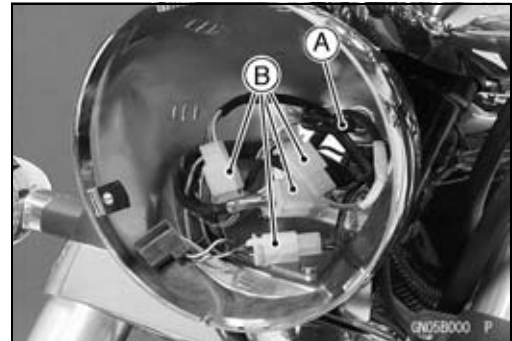
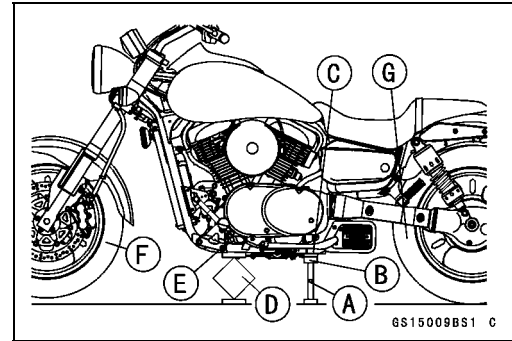
⚠ WARNING

Be sure to put the rear wheel on the ground when removing the steering, or the motorcycle may fall over. It could cause an accident and injury.

- Unscrew the headlight rim screws and open the headlight unit (see Electrical System chapter).
- Open the clamp [A] and pull off the connectors [B].

- Open the headlight body clamps for turn signal light leads.
- Unscrew the front brake hose joint bolts [A]
- Unscrew the turn signal light nuts [B] and remove the front turn signal lights [C].
- Remove the headlight body [D] by unscrewing two nuts [E].

- Remove:
 - Steering Stem Head Nut [A]
 - Washer [B]
 - Front Fork Upper Clamp Bolts [C]



Steering Stem

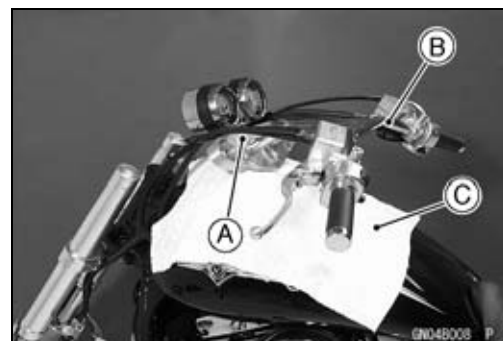
- Remove:
O-ring [A]



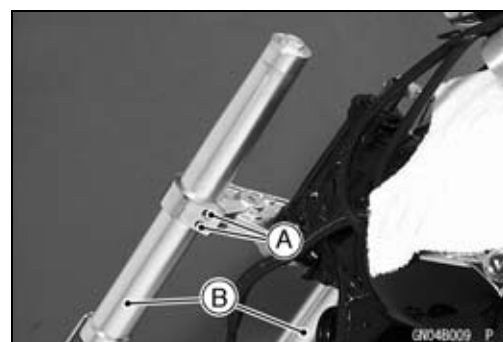
- Take off the steering stem head [A] with the handlebar [B].

CAUTION

Cover the fuel tank with a thick towel [C] or cloth to protect the painted surface of the fuel tank.



- Loosen:
Front Fork Lower Clamp Bolts [A]
- Remove:
Front Fork Legs [B] with Front Fender



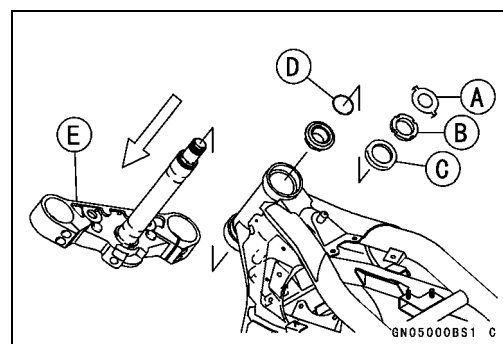
- Remove:
Claw Washer [A]
Steering Stem Nut [B]
Stem Cap [C]
O-ring [D]

Special Tool - Steering Stem Nut Wrench: 57001-1100

NOTE

○ *Be sure to remove the O-ring for removal of the steering stem.*

- Pull out the steering stem [E] from the bottom.

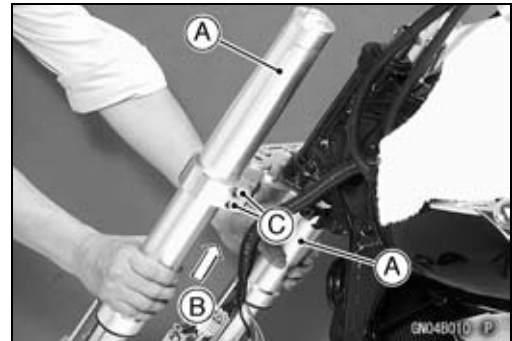
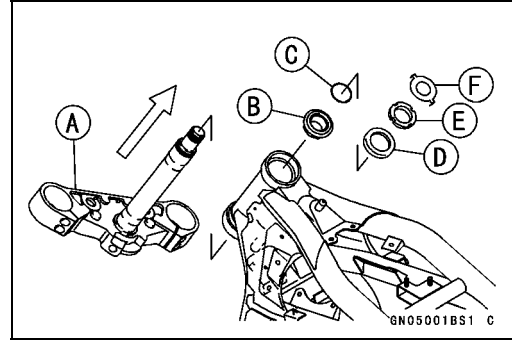


14-10 STEERING

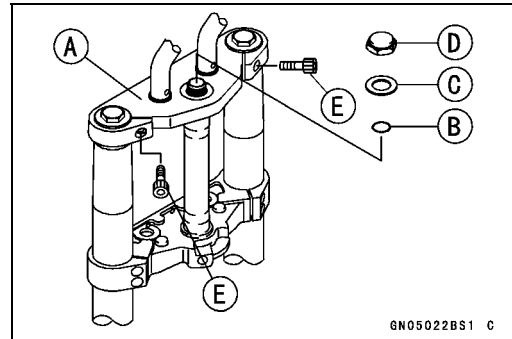
Steering Stem

Steering Stem Installation

- Install:
 - Steering Stem [A]
 - Bearing [B]
 - New O-ring [C] (I.D. $34.5 \times \phi 2$ mm)
 - Stem Cap [D]
- Tighten the stem nut [E] firmly, and loosen it.
Special Tool - Steering Stem Nut Wrench: 57001-1100
- Tighten the stem nut again with the specified torque (see Stem Bearing Installation).
Torque - Steering Stem Nut: 4.9 N·m (0.50 kgf·m, 43 in·lb)
- Install the claw washer [F].
- Install the fork leg [A] and push [B] it up tightly against the stem bottom.
- Temporarily tighten the lower fork clamp bolts [C].



- Install:
 - Steering Stem Head [A] with Handlebar
 - New O-ring [B]
 - Washer [C]
 - Stem Head Nut [D]
- Temporarily tighten the upper fork clamp bolts [E].



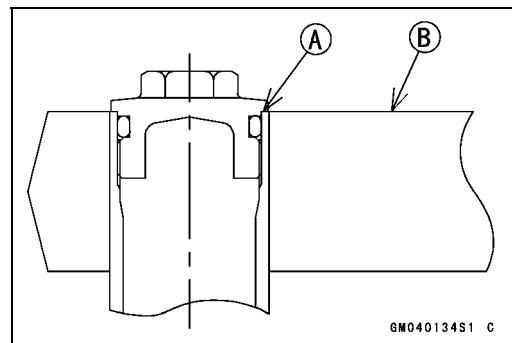
○ Check that the top end [A] of the inner tube is flush with the upper surface [B] of the steering stem head. Otherwise reinstall the fork leg.

- Tighten the fork upper clamp bolts and then the stem head nut, and finally the fork lower clamp bolts.

Torque - Front Fork Clamp Bolts (Upper): 29 N·m (3.0 kgf·m, 21 ft·lb)

Steering Stem Head Nut: 88 N·m (9.0 kgf·m, 65 ft·lb)

Front Fork Clamp Bolts (Lower): 29 N·m (3.0 kgf·m, 21 ft·lb)



Steering Stem

- Install the removed parts.
 - Headlight Body
 - Front Brake Hose Joint
 - Front Wheel (see *Wheels/Tires* chapter)
- Install the turn signal lights [A].
 - Run the signal light leads [B] to the clamp portion [C] of the signal light.
 - Clamp the signal light leads onto the headlight body clamps [D].
- Install the headlight unit (see *Electrical System* chapter).
- Check and adjust the following items after installation.
 - Steering (see *Periodic Maintenance* chapter)
 - Throttle Cables (see *Fuel System* chapter)
 - Headlight Aim
- Check the front brake effectiveness.

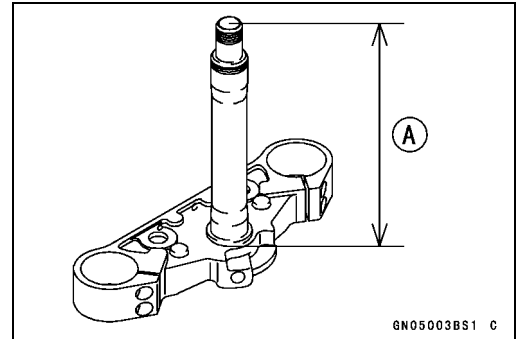


⚠ WARNING

Do not attempt to ride the motorcycle until a full brake lever is obtained by pumping the brake lever until the pads are against the disc. The brakes will not function on the first application of the lever if this is not done.

Steering Stem Warp

- Whenever the steering stem is removed, or if the steering cannot be adjusted for smooth action, check the steering stem for straightness.
- ★ If the steering stem [A] is bent, replace the steering stem.



14-12 STEERING

Steering Stem Bearing

Stem Bearing Removal

- Remove the steering stem (see Steering Stem Removal).
- Drive out the bearing outer races from the head pipe.

Special Tool - Head Pipe Outer Race Remover: 57001-1107 [A]

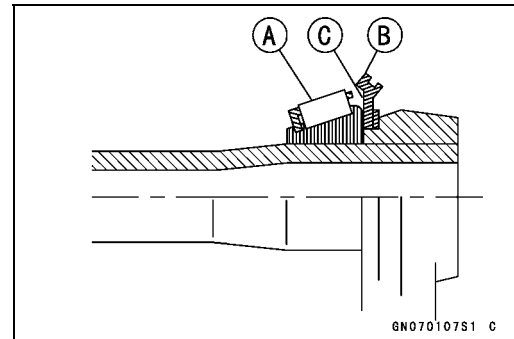
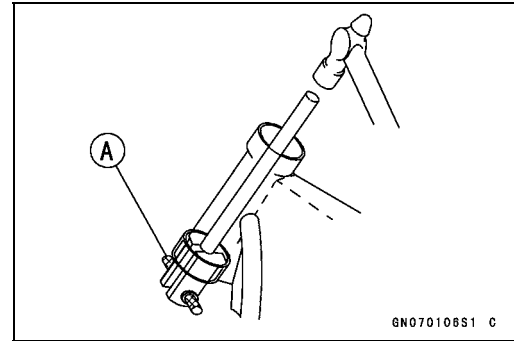
NOTE

○If either steering stem bearing is damaged, it is recommended that both the upper and lower bearings (including outer races) be replaced with new ones.

- Remove the lower inner race [A] which is pressed onto the steering stem, using a chisel.

Grease Seal [B]

Tap here [C]

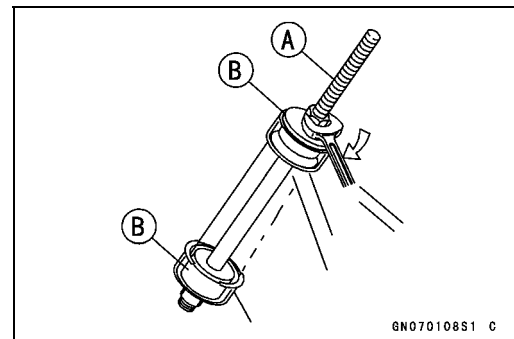


Stem Bearing Installation

- Replace the bearing outer races with new ones.
- Apply grease to the outer races, and drive them into the head pipe at the same time.

Special Tools - Head Pipe Outer Race Press Shaft: 57001-1075 [A]

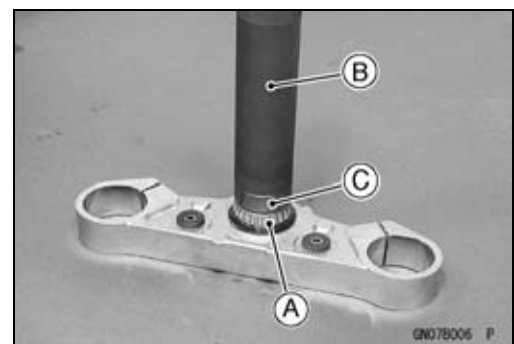
Head Pipe Outer Race Drivers: 57001-1077 [B]



- Replace the stem bearing inner races with new ones.
- Apply grease to the lower inner race [A], and drive it onto the stem base.

Special Tools - Steering Stem Bearing Driver: 57001-1344 [B]

Steering Stem Bearing Driver Adapter: 57001-1345 [C]



- Install the steering stem.

NOTE

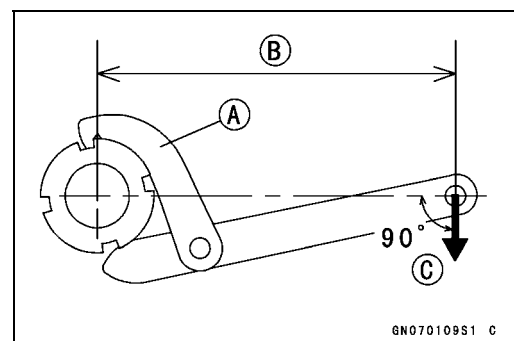
○Do not install the O-rings yet.

- Settle the bearings in place as follows:
 - Tighten the stem nut to **78 N·m (8.0 kgf·m, 58 ft·lb)** of torque. (To tighten the steering stem nut to the specified torque, hook the wrench on the stem nut, and pull the wrench at the hole by **440 N (45 kgf, 99 lb)** force in the direction shown.)

Special Tool - Steering Stem Nut Wrench: 57001-1100 [A]

180 mm (7.09 in.) [B]

Force [C]



Steering Stem Bearing

○ Check that there is no play and the steering stem turns smoothly without rattles. If not, the steering stem bearings may be damaged.

- Remove the stem nut.
- Install the O-rings and adjust the steering (see Periodic Maintenance chapter).

● Tighten:

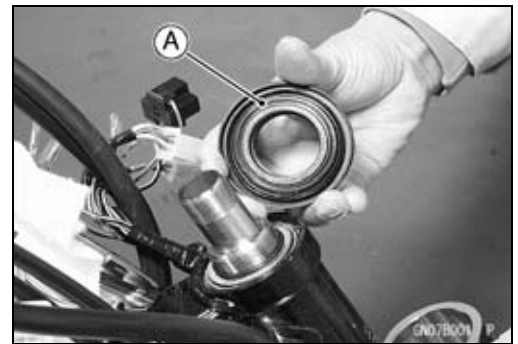
Torque - Steering Stem Nut: 4.9 N·m (0.50 kgf·m, 43 in·lb)

Stem Bearing Lubrication

In accordance with the Periodic Maintenance Chart, lubricate the steering stem bearings. Refer to the Stem Bearing Lubrication in the Periodic Maintenance chapter.

Stem Cap Deterioration, Damage

- ★ Replace the stem cap if its grease seal [A] shows damage.



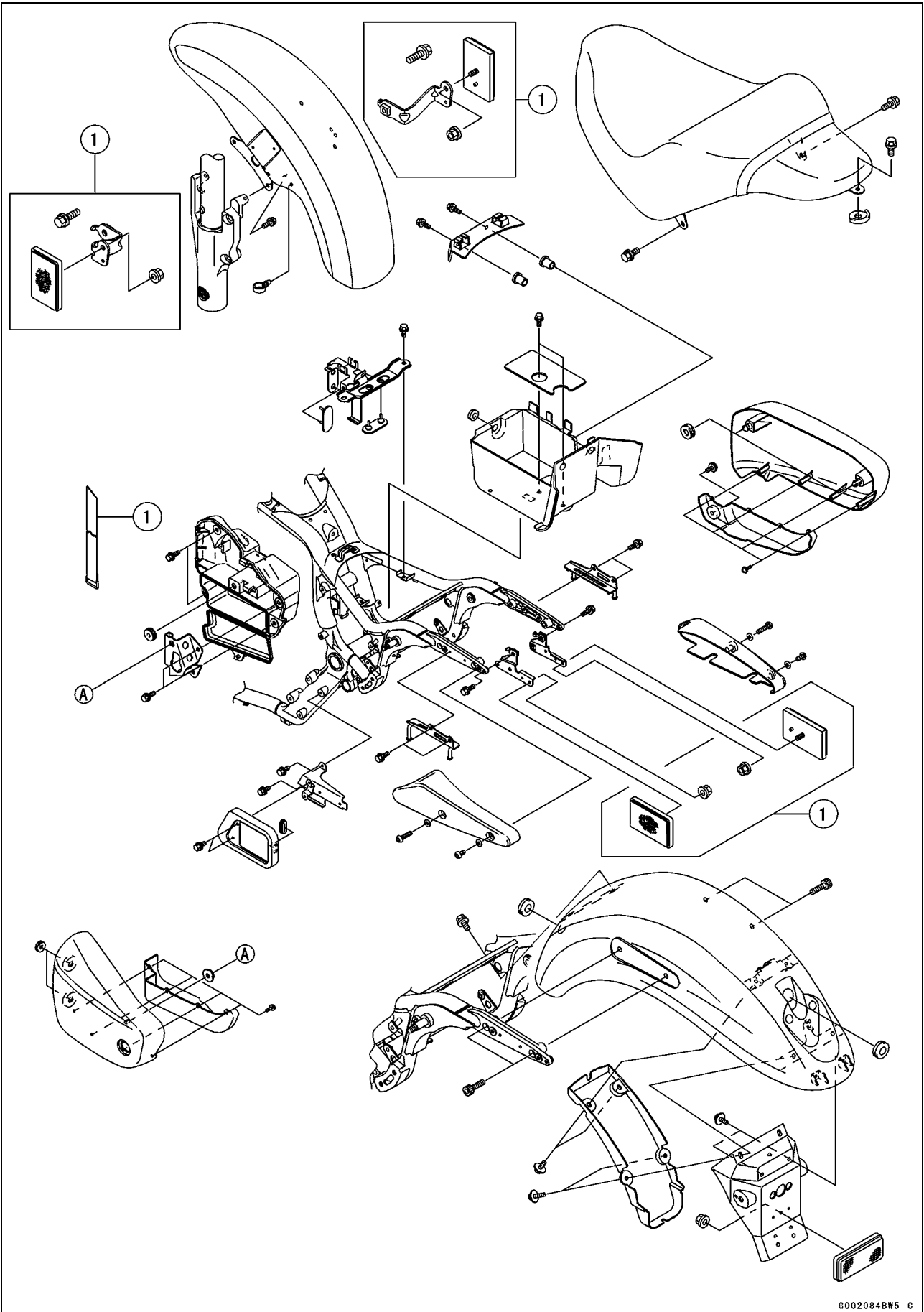
Frame

Table of Contents

Exploded View	15-2
Special Tools	15-6
Seat	15-7
Seat Removal	15-7
Seat Installation	15-7
Side Covers	15-8
Left Side Cover Removal	15-8
Left Side Cover Installation	15-8
Right Side Cover Removal	15-8
Right Side Cover Installation	15-8
Fenders	15-9
Front Fender Removal	15-9
Rear Fender Removal	15-9
Rear Fender Installation	15-9
Battery Case	15-10
Battery Case Removal	15-10
Battery Case Installation	15-10
Tool Box	15-11
Tool Box Removal	15-11
Downtube	15-12
Removal	15-12
Installation	15-12
Sidestand	15-13
Sidestand Installation	15-13
Rear View Mirrors	15-14
Rear View Mirror Removal (Other than European Model)	15-14
Rear View Mirror Removal (European Model)	15-14
Rear View Mirror Installation (Other than European Model)	15-14
Rear View Mirror Installation (European Model)	15-15
Frame	15-16
Frame Inspection	15-16

15-2 FRAME

Exploded View

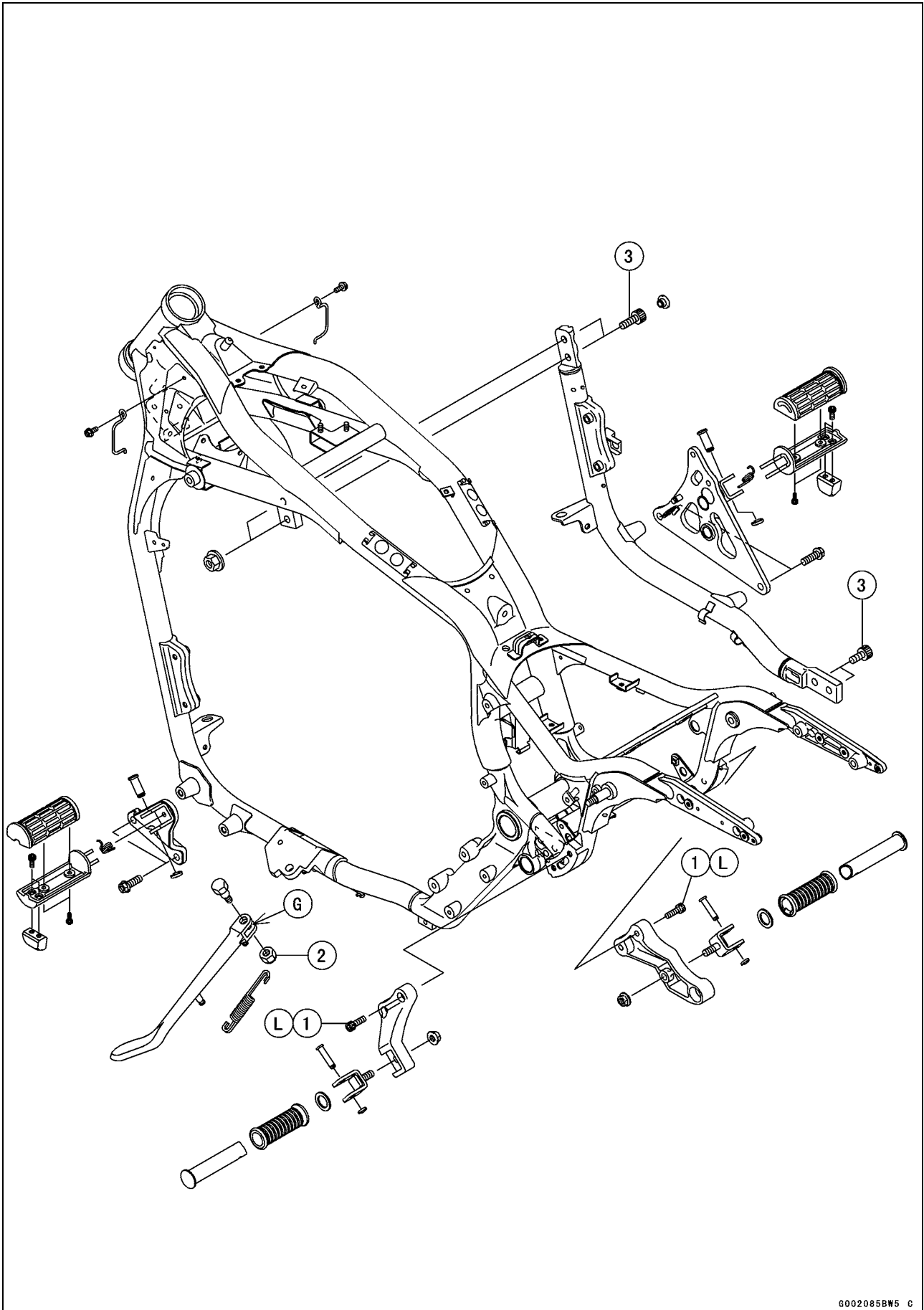


Exploded View

1. United states of America and Canadian models

15-4 FRAME

Exploded View



Exploded View

No.	Fastener	Torque			Remarks
		N·m	kgf·m	ft·lb	
1	Rear Footpeg Bracket Bolts	25	2.5	18	L
2	Sidestand Nut	44	4.5	32	
3	Downtube Bolts and Nuts	44	4.5	32	

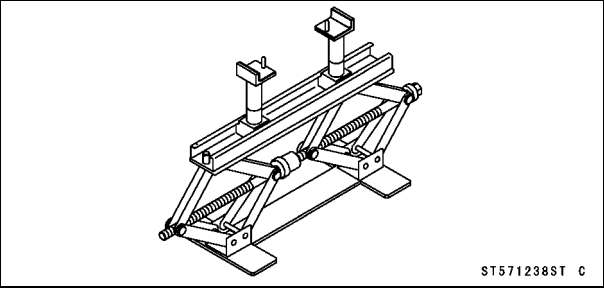
G: Apply grease.

L: Apply a non-permanent locking agent.

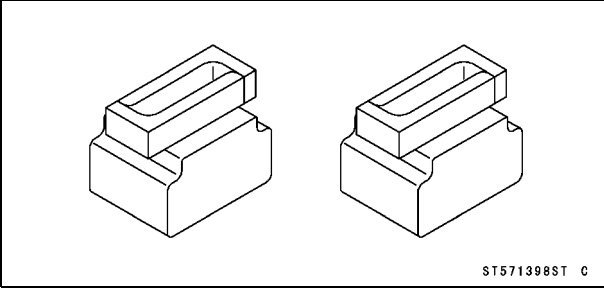
15-6 FRAME

Special Tools

Jack:
57001-1238



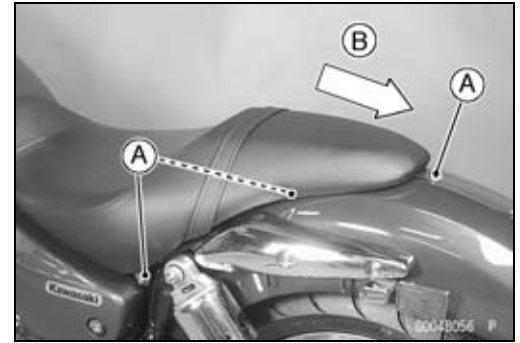
Attachment Jack:
57001-1398



Seat

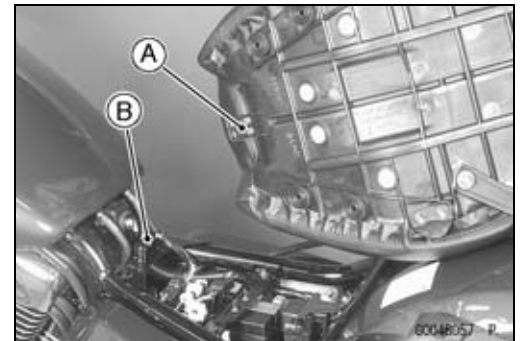
Seat Removal

- Remove the seat bolts [A].
- Pull the seat backward [B], then remove it.



Seat Installation

- Slip the seat hook [A] under the brace [B] on the frame.
- Tighten the seat bolts.

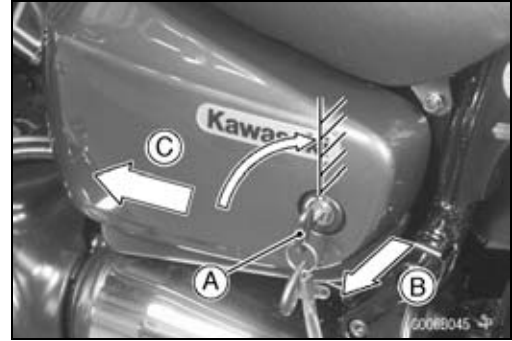


15-8 FRAME

Side Covers

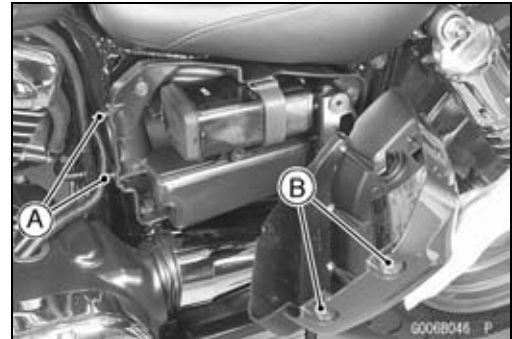
Left Side Cover Removal

- Insert the ignition switch key [A] into the left side cover, and turn the key clockwise until the key slot is vertical.
- Pull [B] the rear part of the left side cover towards you, push [C] the left side cover slightly forward, and remove it.



Left Side Cover Installation

- Put the front stoppers [A] into the grommets [B] first, then put the rear stopper into the grommet.



- Turn the ignition switch key [A] counterclockwise until the key slot is horizontal [B] to secure the left side cover.



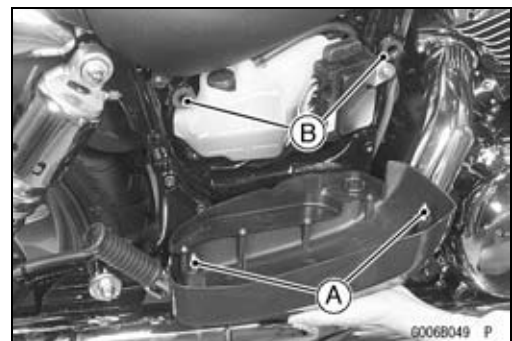
Right Side Cover Removal

- Remove the screw [A].
- Pull the right side cover evenly outward to clear the stoppers.
- Remove the right side cover.



Right Side Cover Installation

- Put the stoppers [A] into the grommets [B].
- Tighten the screw.



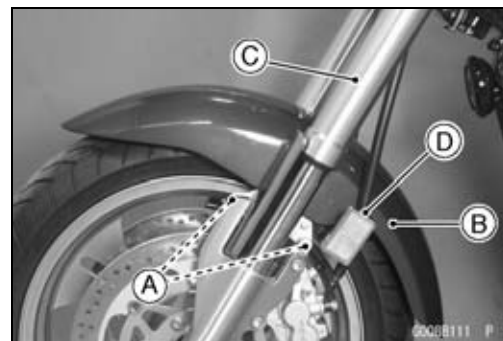
Fenders

Front Fender Removal

CAUTION

Be careful not to scratch the painted surface during removal or installation.

- Remove the mounting bolts [A] on both sides to separate the front fender [B] from the front fork [C].
- Remove the brake hose clamps [D].
- Remove the front fender.

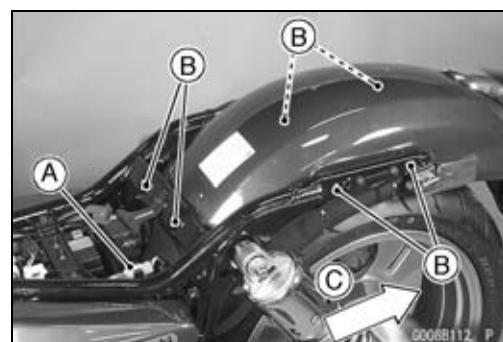
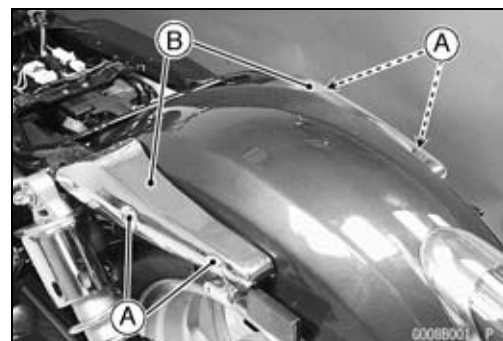


Rear Fender Removal

CAUTION

Be careful not to scratch the painted surface during removal or installation.

- Remove the seat (see this chapter).
- Unscrew the rear fender stay bolts [A] on both side.
- Remove both rear fender stays [B] along with the hook bracket.
- Disconnect the rear turn signal and taillight sub harness connector [A].
- Remove the rear fender mounting bolts [B].
- Remove the rear fender rearward [C].



Rear Fender Installation

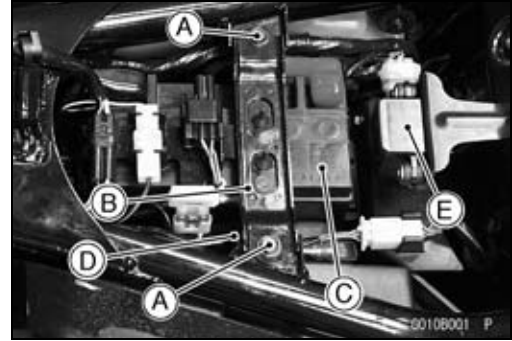
- Installation is the reverse of the removal.

15-10 FRAME

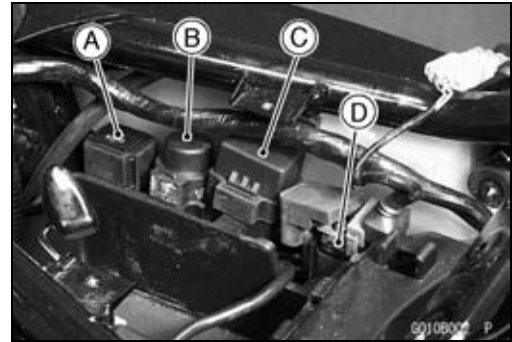
Battery Case

Battery Case Removal

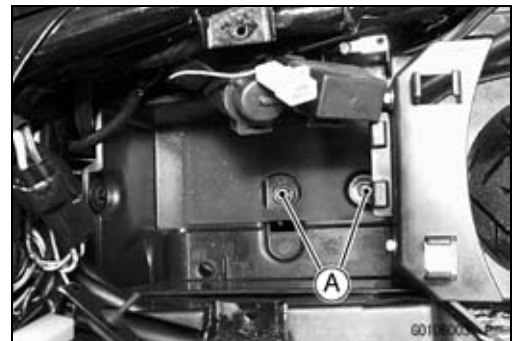
- Remove:
 - Seat (see this chapter)
 - Bolts [A] and Battery Holder [B]
 - Battery [C] (see Electrical System chapter)
 - ECU [D] (see Fuel System chapter)
 - Vehicle-down Sensor [E] (see Fuel System chapter)
 - Rear Fender (see this chapter)



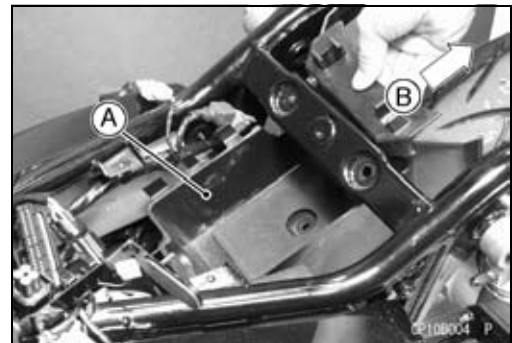
- Remove:
 - Oil Pressure Light Delay Unit [A]
 - DFI Main Relay [B]
 - Turn Signal Control Relay [C]
 - Starter Relay [D]



- Remove the bolts [A].

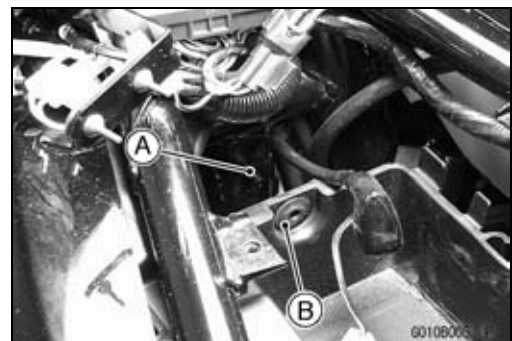


- Remove the battery case [A] from the rear [B].



Battery Case Installation

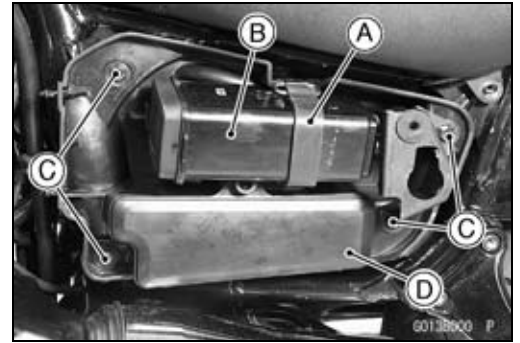
- Put the grommet [B] of the battery case into the stopper [A] of the frame.



Tool Box

Tool Box Removal

- Remove the left side cover (see this chapter).
- For California model; remove the band [A] and canister [B].
- Unscrew the bolts [C].
- Pull the tool box [D] out.



15-12 FRAME

Downtube

Removal

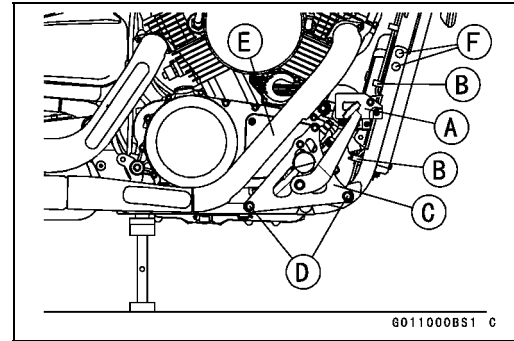
- Using the jack and the attachment jack, raise the rear wheel off the ground (see Wheels/Tires chapter).

Special Tools - Jack: 57001-1238

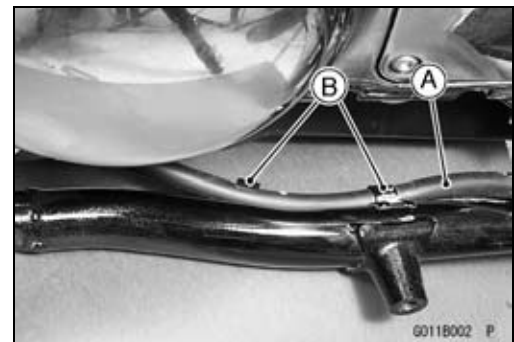
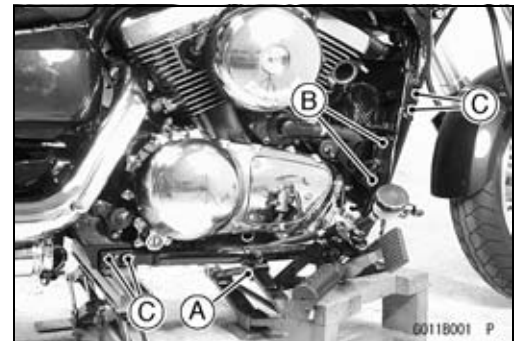
Attachment Jack: 57001-1398

Remove:

- Brake Reservoir Cover [A]
- Brake Reservoir (see Brakes chapter)
- Open the lead clamps [B]
- Remove the right front footpeg bracket [C] by taking off the bolts [D] with the brake pedal and rear master cylinder installed.
- Remove the front exhaust pipe [E] (see Engine Top End chapter).
- Pull out the caps [F]
- Support the engine with a commercially available stand [A].
- Remove:
 - Engine Mounting Bracket Bolts [B]
 - Downtube Bolts [C]



- Take off the brake hose [A] from the clamps [B].

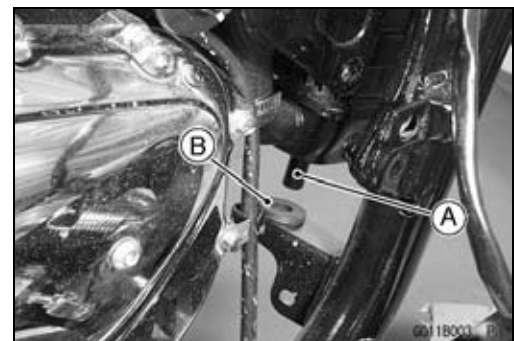


Installation

- Run the brake hose inside the down tube and clamp it.
- Put the stopper [A] of the radiator into the grommet [B] of the down tube.
- Tighten:

Torque - Downtube Bolts and Nuts: 44 N·m (4.5 kgf·m, 32 ft·lb)

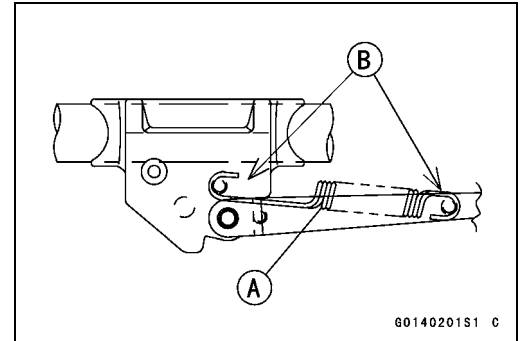
Engine Mounting Bracket Bolts: 25 N·m (2.5 kgf·m, 18 ft·lb)



Sidestand

Sidestand Installation

- Tighten:
Torque - Sidestand Nut: 44 N·m (4.5 kgf·m, 32 ft·lb)
- Install the sidestand spring [A], noting the direction of the hooks [B].

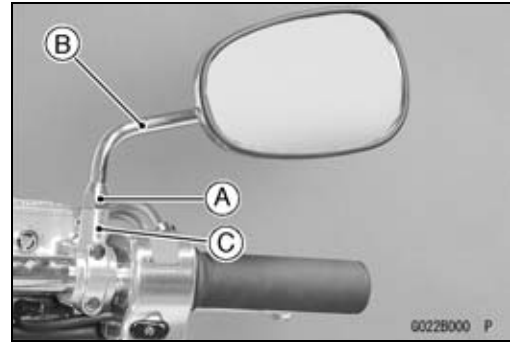


15-14 FRAME

Rear View Mirrors

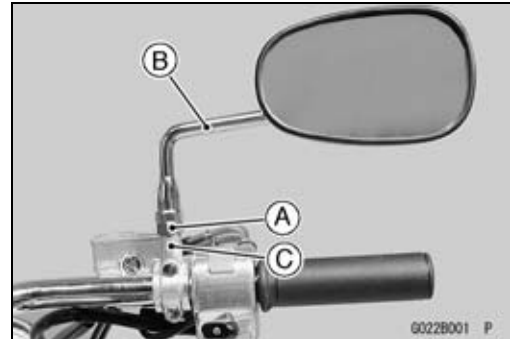
Rear View Mirror Removal (Other than European Model)

- Loosen the locknut [A].
- Turn the rear view mirror stay [B] counterclockwise to remove the rear view mirror from the holder [C].



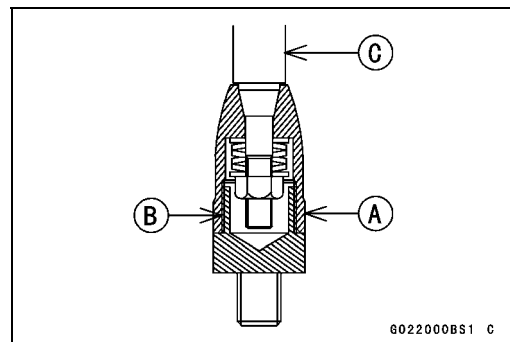
Rear View Mirror Removal (European Model)

- Loosen the lower hexagonal area [A].
- Turn the rear view mirror stay [B] counterclockwise to remove the rear view mirror from the holder [C].



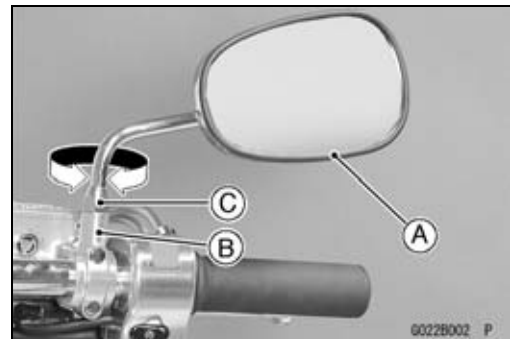
CAUTION

Do not force to tighten and/or loosen the upper hexagonal area (adapter) [A] with a pair of spanners or wrench. Disassembly of this area is not possible. Non-permanent locking agent [B] is already applied to the threads of this inner area. Forcible loosening may damage the adapter and/or the turning mechanism of the stay [C].



Rear View Mirror Installation (Other than European Model)

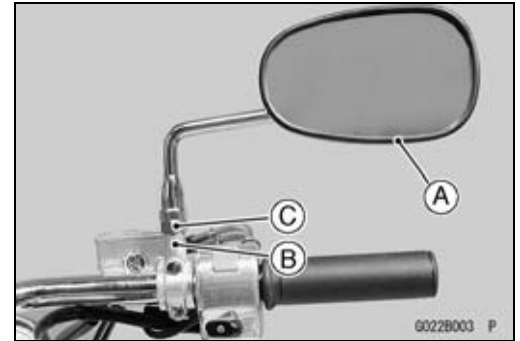
- Loosen the locknut all the way up.
 - Screw the mounting area of the rear view mirror [A] into the holder [B] all the way, then back it two turns out.
 - Turn the stay to assure visibility to the rear with the rider sitting on the motorcycle, and tighten the locknut [C] securely.
 - Adjust the rear view mirror by slightly moving only the mirror portion of the assembly.
- Installation and adjustment of the left side are common with the those of right side. Follow the procedure specified at the right side.



Rear View Mirrors

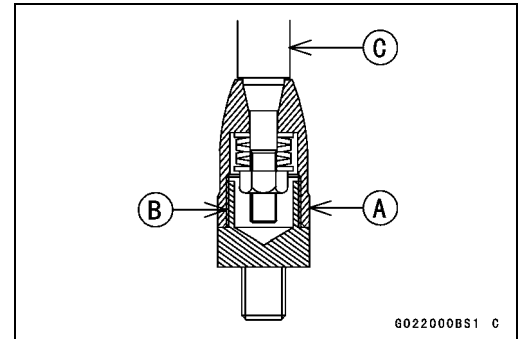
Rear View Mirror Installation (European Model)

- Screw the mounting area of the rear view mirror [A] into the holder [B] all the way, and tighten the lower hexagonal area [C] securely.

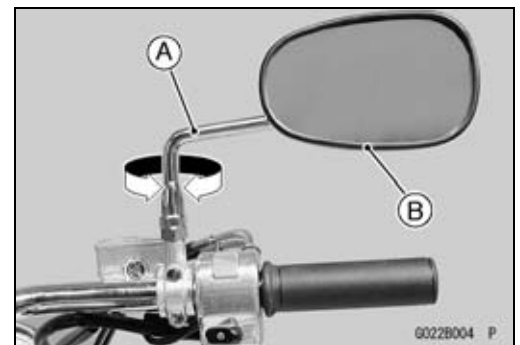


CAUTION

Do not force to tighten and/or loosen the upper hexagonal area (adapter) [A] with a pair of spanners or wrench. Disassembly of this area is not possible. Non-permanent locking agent [B] is already applied to the threads of this inner area. Forcible loosening may damage the adapter and/or the turning mechanism of the stay [C].



- Turn the stay [A] to assure visibility to the rear with the rider sitting on the motorcycle.
- Adjust the rear view mirror [B] by slightly moving only the mirror portion of the assembly.
- Installation and adjustment of the left side are common with the those of right side. Follow the procedure specified at the right side.



15-16 FRAME

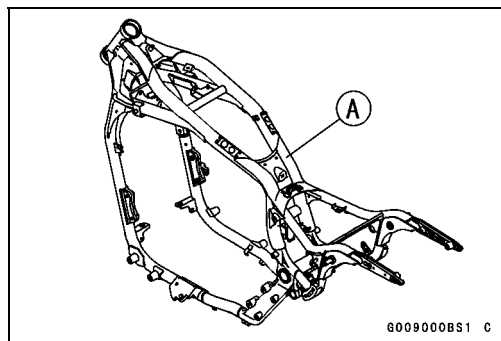
Frame

Frame Inspection

- Visually inspect the frame [A] for cracks, dents, bending, or warp.
- ★ If there is any damage to the frame, replace it.

⚠ WARNING

A repaired frame may fail in use, possibly causing an accident. If the frame is bent, dented, cracked, or warped, replace it.



Electrical System

Table of Contents

Electrical Parts Location	16-3	Ignition Coil Primary Peak Voltage	16-43
Exploded View	16-4	Crankshaft Sensor Removal	16-44
Wiring Diagram (United States of America and Canada).....	16-10	Crankshaft Sensor Installation	16-44
Wiring Diagram (Other Than United States of America, Canada and Australia).....	16-12	Crankshaft Sensor Inspection.....	16-44
Wiring Diagram (Australia)	16-14	Interlock Operation Inspection	16-46
Specifications	16-16	IC Igniter Inspection	16-47
Special Tools and Sealant	16-18	Starter Motor.....	16-49
Servicing Precautions.....	16-19	Starter Motor Removal.....	16-49
Electrical Wiring.....	16-21	Starter Motor Installation.....	16-49
Wiring Inspection	16-21	Disassembly.....	16-50
Battery	16-22	Assembly	16-50
Battery Removal	16-22	Brush Inspection	16-52
Battery Installation	16-22	Commutator Cleaning and Inspection.....	16-52
Electrolyte Filling.....	16-23	Armature Inspection.....	16-52
Initial Charge.....	16-25	Brush Assy Inspection	16-53
Precautions	16-25	Brush Plate and Terminal Bolt Inspection.....	16-53
Interchange.....	16-26	Starter Relay Inspection.....	16-53
Charging Condition Inspection.....	16-26	Lighting System.....	16-55
Refreshing Charge.....	16-26	Headlight Beam Horizontal Adjustment	16-55
Charging System.....	16-28	Headlight Beam Vertical Adjustment.....	16-55
Alternator Outer Cover Removal..	16-28	Headlight Bulb Replacement	16-55
Alternator Outer Cover Installation.....	16-28	Headlight Body Removal	16-57
Alternator Cover Removal/Instal- lation.....	16-28	City Light Bulb Replacement (other than United States, Canada and Australia)	16-57
Alternator Cover Assembly	16-29	Tail/Brake Light Bulb Replacement.....	16-57
Alternator Inner Cover Removal ..	16-29	Automatic Turn Signal Canceling System.....	16-60
Alternator Inner Cover Installation	16-30	Wiring Inspection	16-62
Alternator Rotor Removal	16-30	Distance Sensor Inspection	16-62
Alternator Rotor Installation	16-31	Turn Signal Switch Inspection.....	16-63
Alternator Stator Removal.....	16-31	Turn Signal Control Relay Inspection.....	16-64
Alternator Stator Installation.....	16-32	Turn Signal Light Bulb Replacement.....	16-64
Charging Voltage Inspection.....	16-34	Radiator Fan System.....	16-66
Alternator Inspection	16-34	Fan System Circuit Inspection	16-66
Regulator/Rectifier Removal.....	16-35	Fan Motor Inspection	16-67
Regulator/Rectifier Inspection.....	16-36	Oil Pressure Warning System	16-68
Ignition System.....	16-38		
Ignition Coil Removal.....	16-40		
Ignition Coil Installation	16-41		
Ignition Coil Inspection.....	16-41		
Spark Plug Removal	16-42		
Spark Plug Installation	16-42		
Spark Plug Cleaning/Inspection...	16-42		

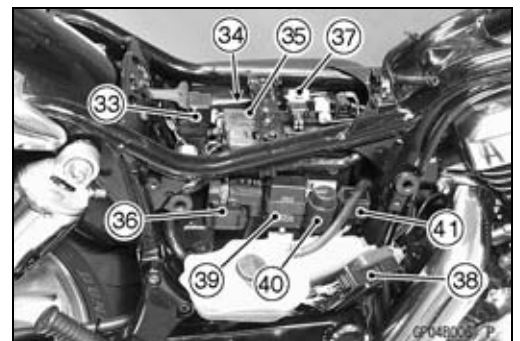
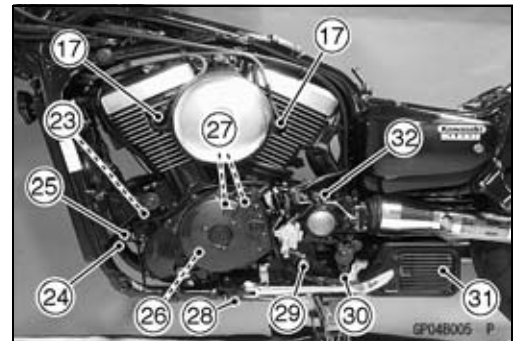
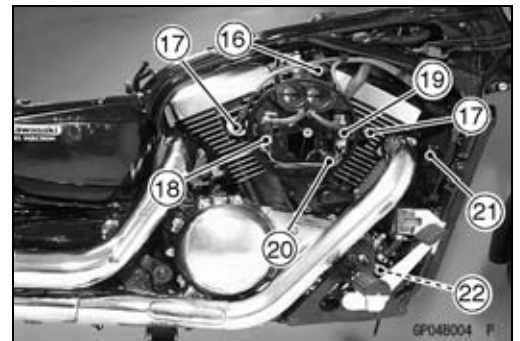
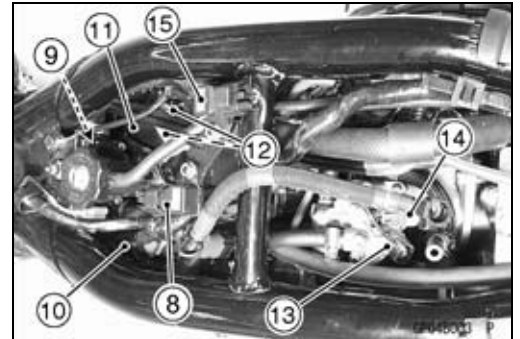
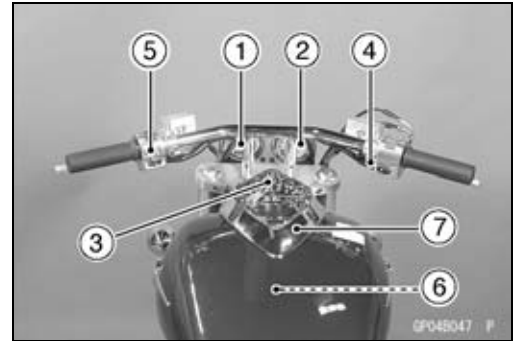
16-2 ELECTRICAL SYSTEM

Oil Pressure Light Delay Unit Removal.....	16-69	Switch Inspection.....	16-83
Oil Pressure Light Delay Unit Inspection.....	16-69	Radiator Fan Switch Removal	16-84
Meter, Gauge.....	16-70	Radiator Fan Switch Installation ..	16-84
Meter Unit Removal	16-70	Radiator Fan Switch Inspection ...	16-84
Meter Unit Installation	16-70	Water Temperature Switch Removal.....	16-84
Meter Unit Disassemble.....	16-71	Water Temperature Switch Installation.....	16-85
Meter Unit Assembly.....	16-72	Water Temperature Switch Inspection.....	16-85
Meter Unit Inspection	16-72	Diode (Rectifier) Inspection.....	16-85
Indicator Panel Bulb Replacement.....	16-78	Junction Box.....	16-87
Water Temperature Warning System.	16-81	Junction Box Fuse Circuit Inspection.....	16-87
Water Temperature Warning System Check.....	16-81	Starter Circuit/Headlight Relay Inspection.....	16-88
Switch and Sensors.....	16-82	Diode Circuit Inspection.....	16-88
Fuel Reserve Switch Inspection...	16-82	Fuse.....	16-90
Speed Sensor Removal	16-82	Main Fuse Removal.....	16-90
Speed Sensor Installation	16-82	Junction Box Fuse Removal	16-90
Speed Sensor Inspection.....	16-83	Fuse Installation.....	16-90
Front Brake Light Switch Inspection.....	16-83	Fuse Inspection.....	16-90
Rear Brake Light Switch Check/Adjustment (Periodic).....	16-83		

Electrical Parts Location

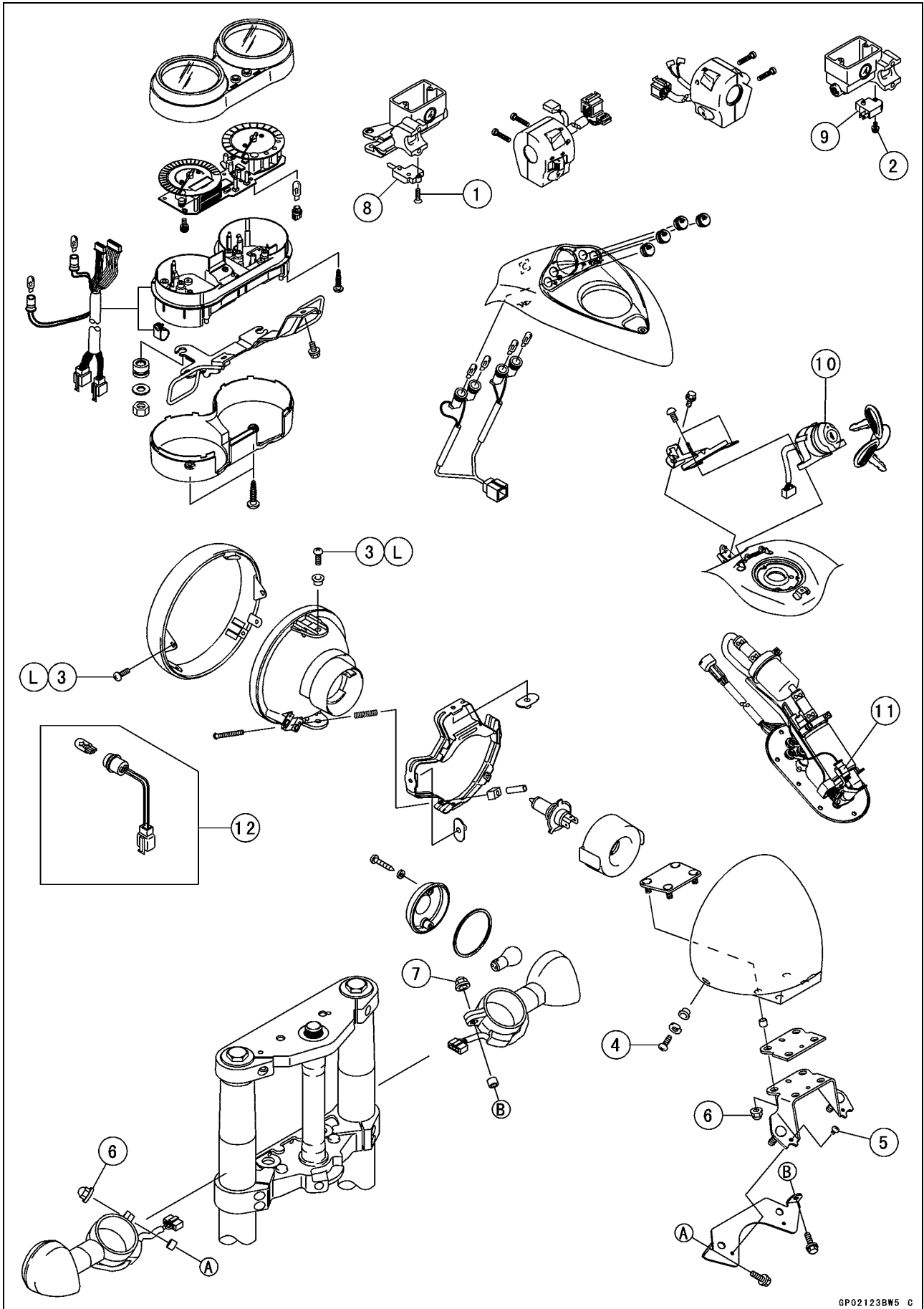
DFI: DFI Parts (see Fuel System chapter)

1. Speedometer
2. Tachometer
3. Ignition Switch
4. Front Brake Light Switch
5. Starter Lockout Switch
6. Fuel Pump (DFI) with Fuel Reserve Switch
7. Indicator Light Cover
8. Atmospheric Pressure Sensor (DFI)
9. Water Temperature Sensor (DFI)
10. Ignition Coil #1
11. Ignition Coil #2
12. Diodes (Rectifiers)
13. Injector #1 (DFI)
14. Injector #2 (DFI)
15. Vacuum Sensor (DFI)
16. Throttle Sensor
17. Spark Plugs
18. ISC Valve #2 (DFI, for Rear Cylinder)
19. ISC Valve #1 (DFI, for Front Cylinder)
20. Inlet Air Temperature Sensor (DFI)
21. Radiator Fan
22. Rear Brake Light Switch
23. Starter Motor
24. Water Temperature Switch
25. Radiator Fan Switch
26. Alternator
27. Crankshaft Sensors
28. Sidestand Switch
29. Neutral Switch
30. Oil Pressure Switch
31. Regulator/Rectifier
32. Speed Sensor
33. Vehicle-down Sensor (DFI)
34. ECU (DFI, Electronic Control Unit)
35. Sealed Battery
36. Starter Relay and Main Fuse 30 A
37. DFI Fuse 20 A
38. Junction Box
39. Turn Signal Control Relay
40. DFI Main Relay
41. Oil Pressure Light Delay Unit



16-4 ELECTRICAL SYSTEM

Exploded View



Exploded View

No.	Fastener	Torque			Remarks
		N·m	kgf·m	ft·lb	
1	Starter Lockout Switch Screw	1.2	0.12	11 in·lb	
2	Front Brake Light Switch Screw	1.2	0.12	11 in·lb	
3	Headlight Mounting Screws	2.9	0.30	26 in·lb	
4	Headlight Rim Screws	1.4	0.14	12 in·lb	
5	Headlight Body Bracket Screws	1.2	0.12	11 in·lb	
6	Headlight Body Mounting Nuts	7.8	0.80	69 in·lb	
7	Front Turn Signal Light Mounting Nuts	5.9	0.60	52 in·lb	

8. Starter lockout switch

9. Front brake light switch

10. Ignition switch

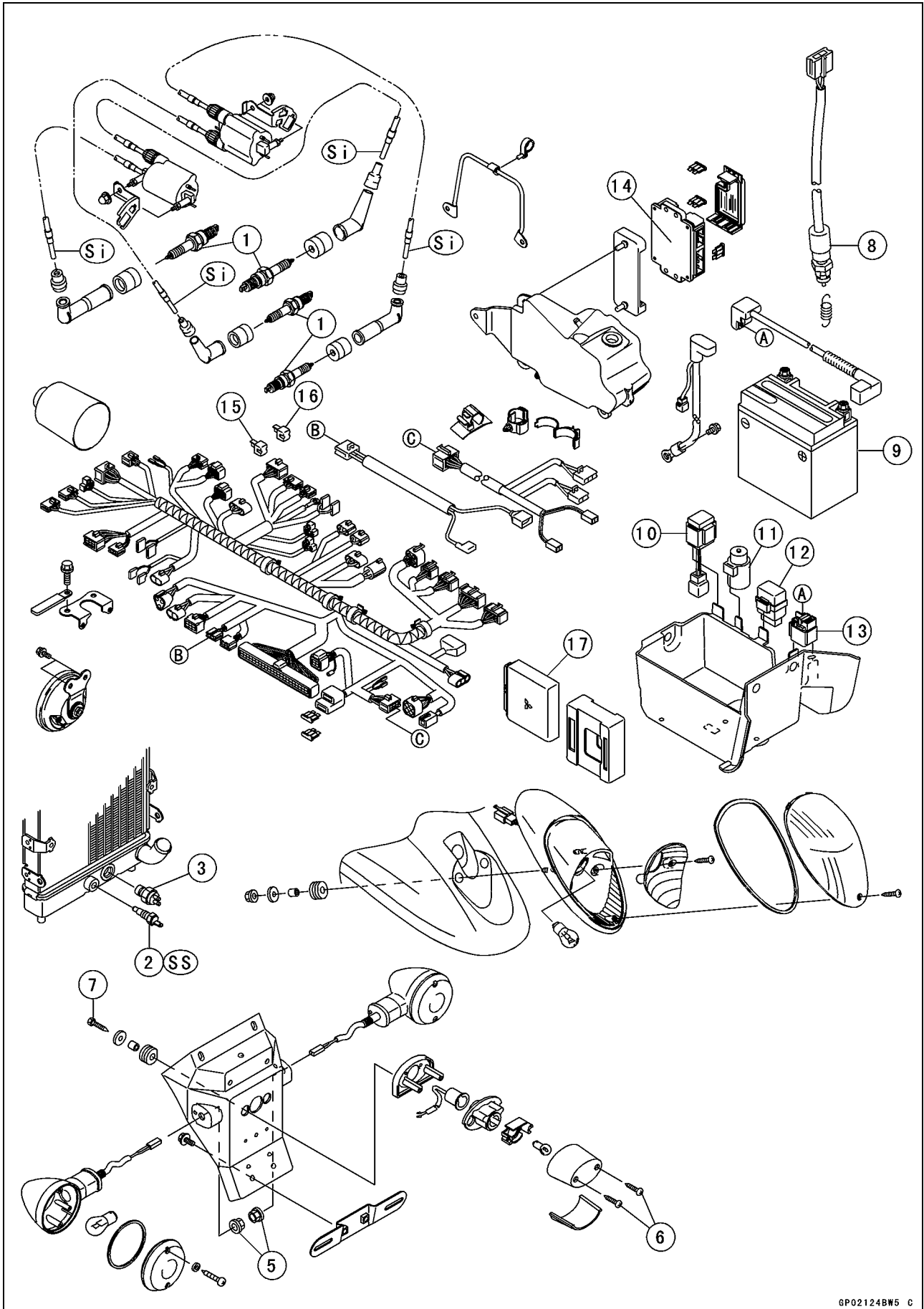
11. Fuel reserve switch

12. Other than United States, Canada and Australia Model

L: Apply a non-permanent locking agent.

16-6 ELECTRICAL SYSTEM

Exploded View



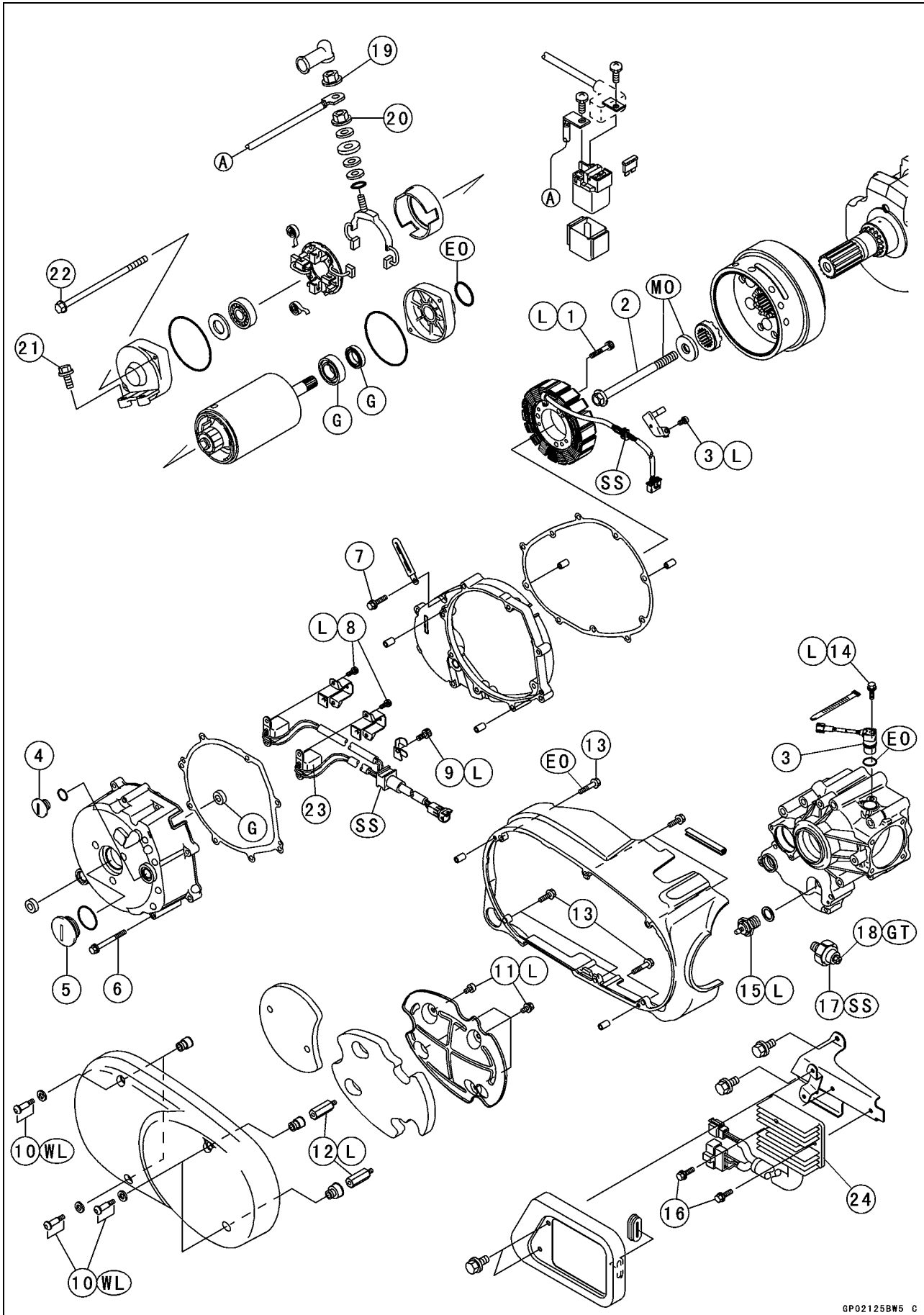
Exploded View

No.	Fastener	Torque			Remarks
		N·m	kgf·m	ft·lb	
1	Spark Plugs	18	1.8	13	
2	Water Temperature Switch	7.8	0.80	69 in·lb	
3	Radiator Fan Switch	18	1.8	13	
4	Sidestand Switch Bolt	8.8	0.90	78 in·lb	L
5	Rear Turn Signal Light Mounting Nuts	6.9	0.70	61 in·lb	
6	License Plate Lens Screws	1.0	0.10	8.9 in·lb	
7	License Plate Light Mounting Screws	1.2	0.12	11 in·lb	

- 8. Rear Brake Light Switch
 - 9. Sealed Battery 12 V 18 Ah
 - 10. Oil Pressure Light Delay Unit
 - 11. DFI Main Relay
 - 12. Turn Signal Control Relay
 - 13. Starter Relay
 - 14. Junction Box
 - 15. Diode (Rectifier) for Water Temperature Warning LED Light
 - 16. Diode (Rectifier) for Fuel Indicator Light
 - 17. ECU (Electronic Control Unit)
- L: Apply a non-permanent locking agent.
 Si: Apply silicone grease.
 SS: Apply silicone sealant (Kawasaki Bond: 56019-120).

16-8 ELECTRICAL SYSTEM

Exploded View



Exploded View

No.	Fastener	Torque			Remarks
		N·m	kgf·m	ft·lb	
1	Alternator Stator Bolts	13	1.3	115 in·lb	L
2	Alternator Rotor Bolt	78	8.0	58	MO
3	Stator Lead Holder Screw	9.8	1.0	87 in·lb	L
4	Rotor Bolt Cap	1.5	0.15	13 in·lb	
5	Timing Inspection Cap	1.5	0.15	13 in·lb	
6	Alternator Cover Bolts	11	1.1	97 in·lb	
7	Alternator Inner Cover Bolts	11	1.1	97 in·lb	
8	Crankshaft Sensor Screws	2.9	0.30	26 in·lb	
9	Crankshaft Sensor Lead Holder Bolt	2.9	0.30	26 in·lb	L
10	Alternator Outer Cover Bolts	6.9	0.70	61 in·lb	WL
11	Alternator Outer Cover Damper Bolts	6.9	0.70	61 in·lb	L
12	Alternator Outer Cover Joint Bolts	6.9	0.70	61 in·lb	L
13	Alternator Outer Cover Assembly Bolts	6.9	0.70	61 in·lb	
14	Speed Sensor Mounting Bolt	9.8	1.0	87 in·lb	L
15	Neutral Switch	15	1.5	11	
16	Regulator/rectifier Bolts	6.5	0.66	57 in·lb	
17	Oil Pressure Switch	15	1.5	11	SS
18	Oil Pressure Switch Terminal Screw	1.5	0.15	13 in·lb	GT
19	Stator Motor Terminal Nut	4.9	0.50	43 in·lb	
20	Stator Motor Terminal Locknut	11	1.1	97 in·lb	
21	Stator Motor Mounting Bolts	11	1.1	97 in·lb	
22	Stator Motor Assembly Bolts	4.9	0.50	43 in·lb	

23. Crankshaft sensors

24. Regulator/Rectifiers

25. Speed sensor

EO: Apply engine oil.

G: Apply grease.

GT: Apply a little grease to the switch terminal for rust prevention

L: Apply a non-permanent locking agent.

MO: Apply molybdenum disulfide oil.

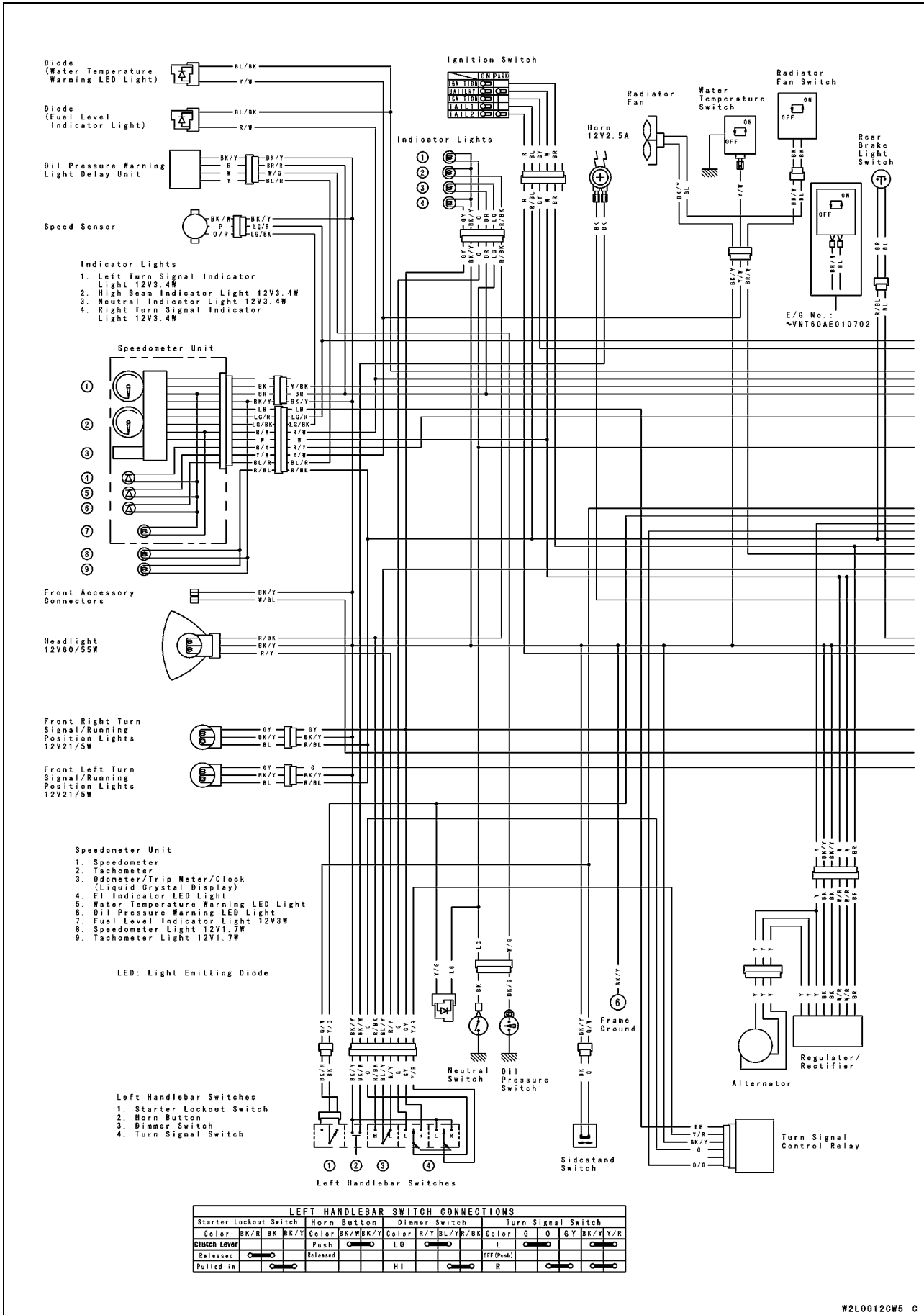
The molybdenum disulfide oil is a mixture of engine oil and molybdenum disulfide grease with a weight ratio (10 : 1).

SS: Apply silicone sealant (Kawasaki Bond: 59019-120).

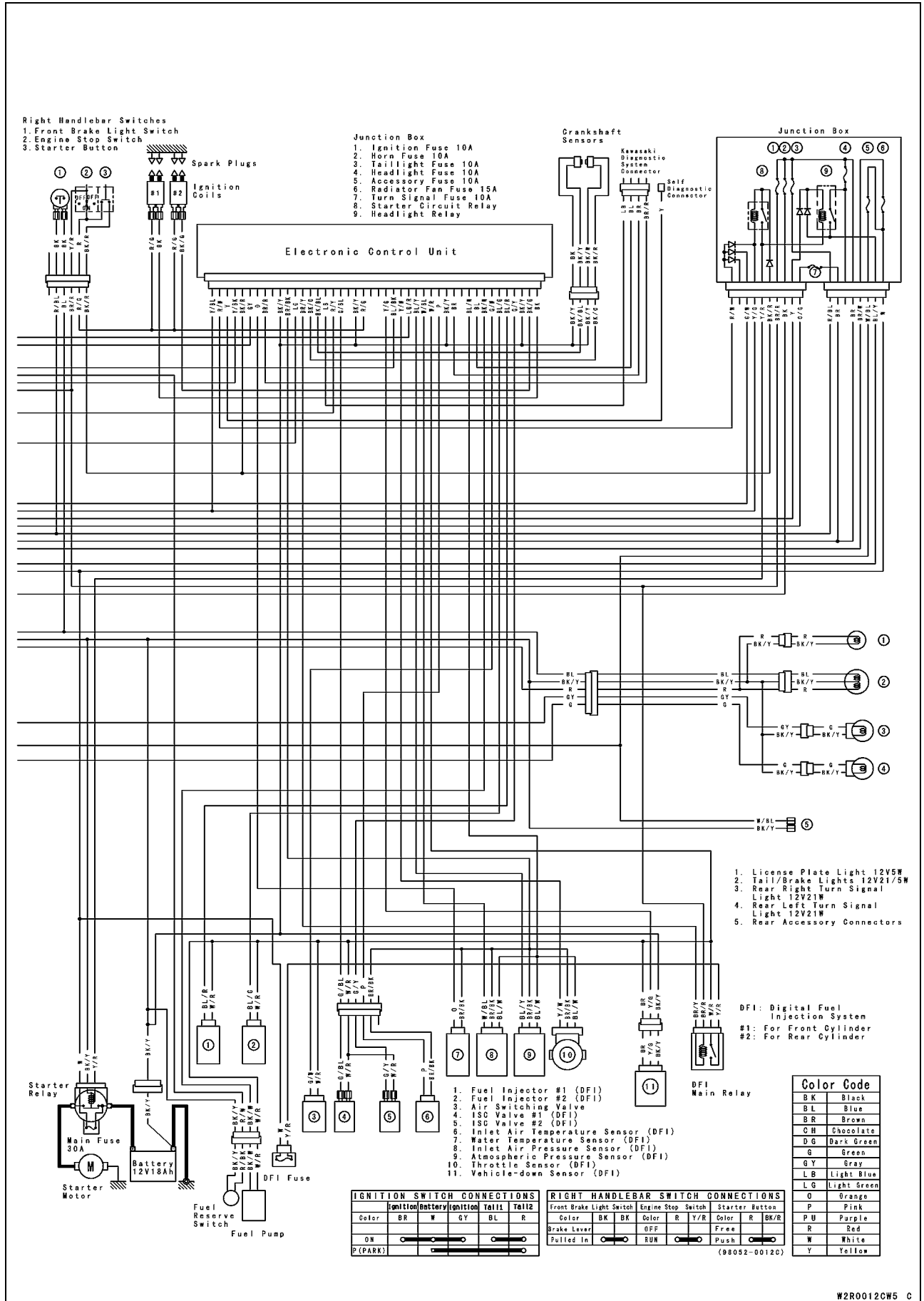
WL: Apply a soap and water solution or rubber lubricant.

16-10 ELECTRICAL SYSTEM

Wiring Diagram (United States of America and Canada)

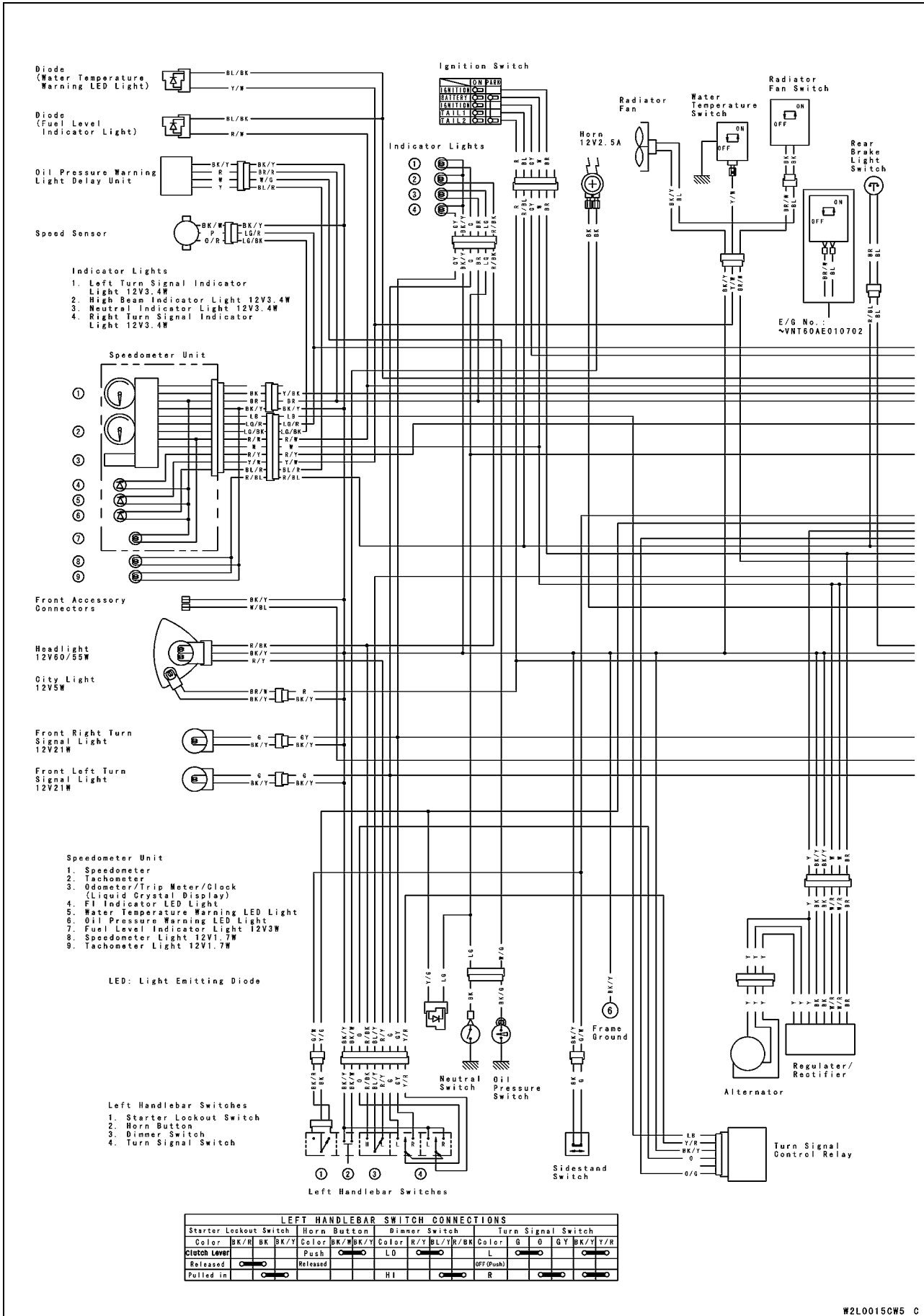


Wiring Diagram (United States of America and Canada)

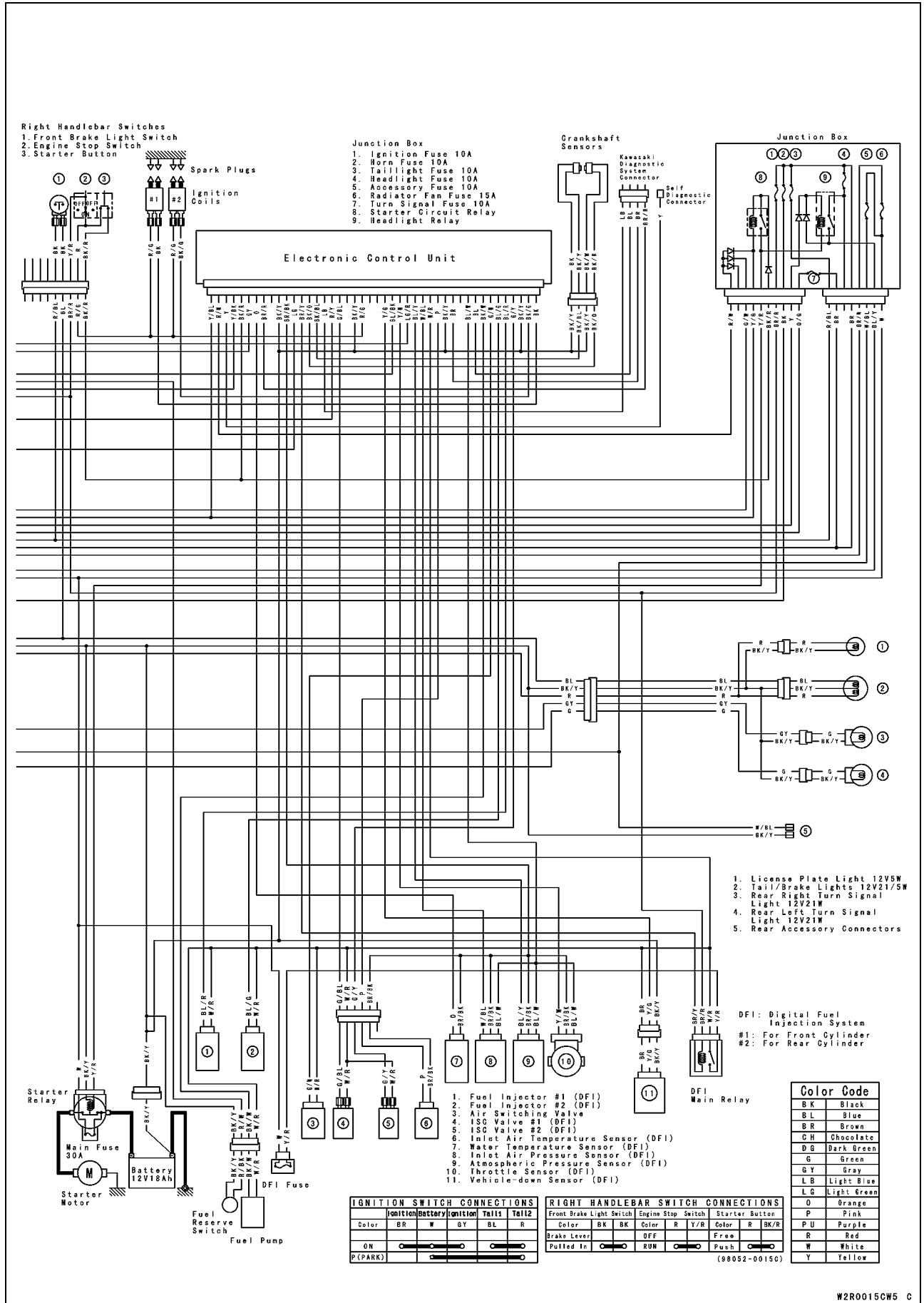


16-12 ELECTRICAL SYSTEM

Wiring Diagram (Other Than United States of America, Canada and Australia)

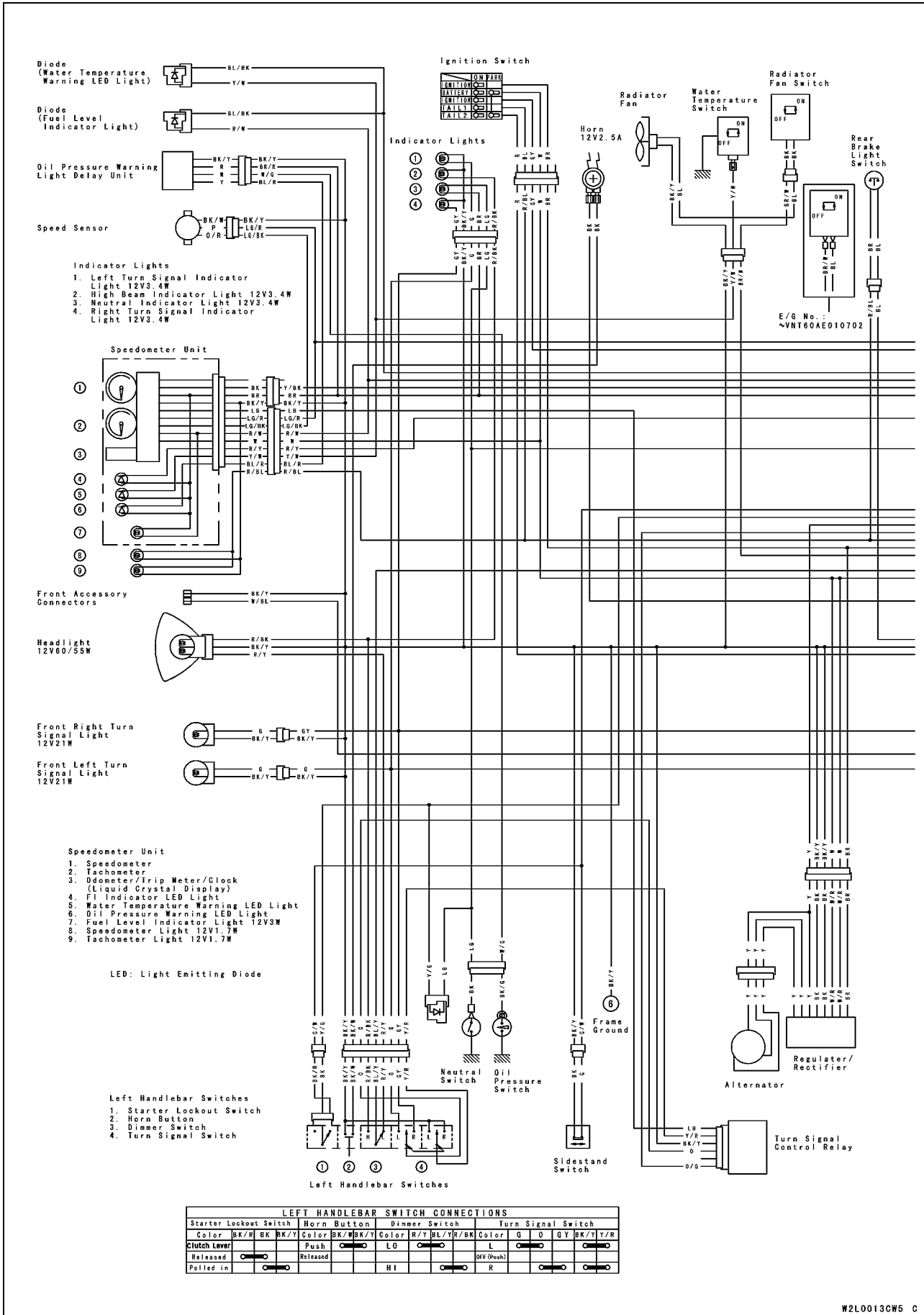


Wiring Diagram (Other Than United States of America, Canada and Australia)

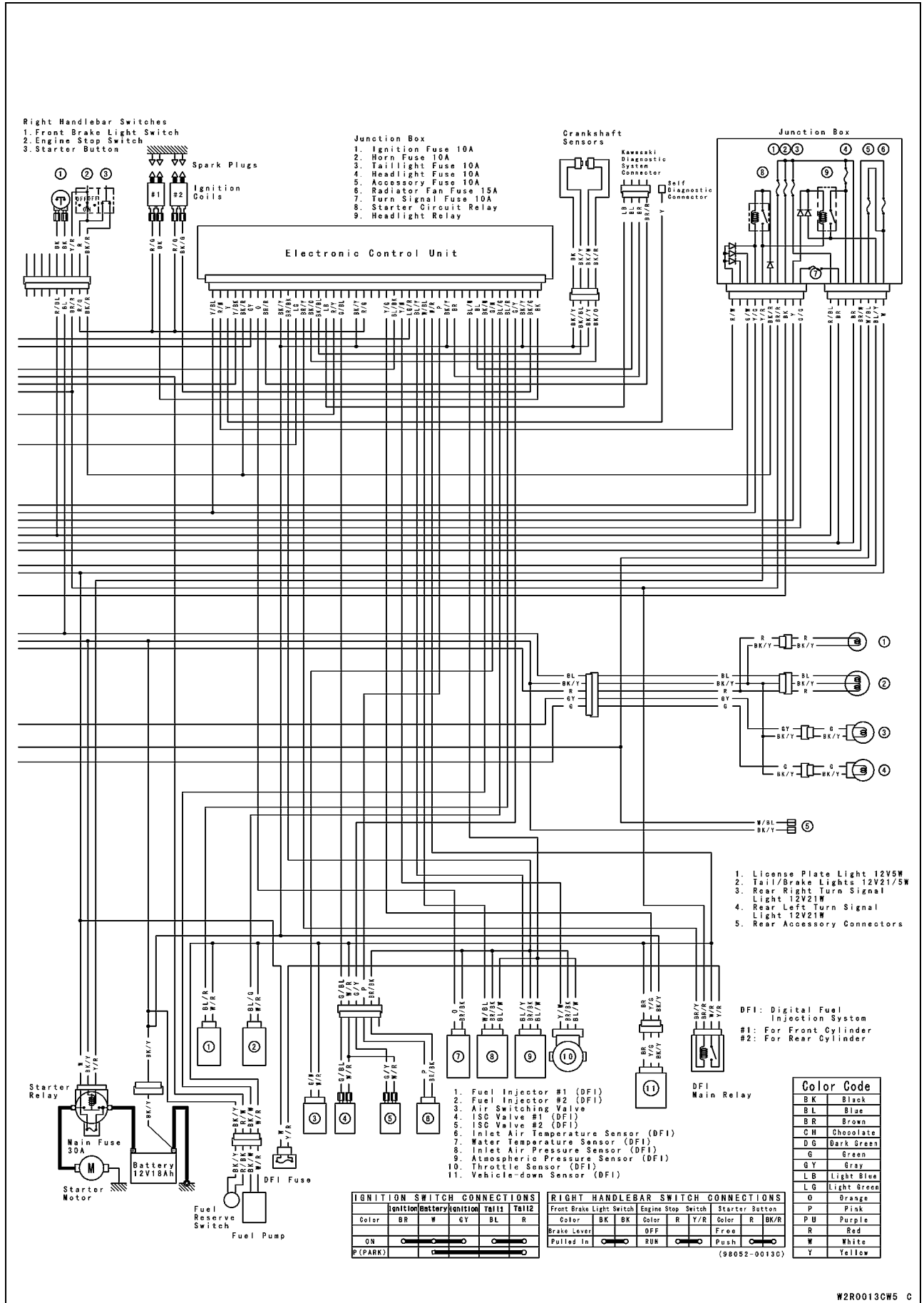


16-14 ELECTRICAL SYSTEM

Wiring Diagram (Australia)



Wiring Diagram (Australia)



16-16 ELECTRICAL SYSTEM

Specifications

Item	Standard
Battery Type Model Name Capacity Voltage	Sealed Battery FTZ16-BS 12 V 18 Ah 12.6 V or more
Charging System Alternator Type Dc Battery Charging Voltage Alternator Output Voltage (No Load) Stator Coil (Battery Charging Coil) Resistance Regulator/rectifier: Type Resistance	Three-phase AC with delta connection, and rare-earth single magnet rotor 14.2 ~ 15.2 V @3 000 r/min (rpm) 64 ~ 96 V @3 000 r/min (rpm) 0.33 ~ 0.49 Ω Load dumping regulator with full-wave rectifier in the text
Ignition System Ignition Coil: Primary Peak Voltage: front rear 3 Needle Arcing Distance Primary Winding Resistance Secondary Winding Resistance Spark Plug: Spark Plug Gap Spark Plug Cap Resistance Crankshaft Sensor: Crankshaft Sensor Peak Voltage: front rear Crankshaft Sensor I Air Gap Crankshaft Sensor Resistance	208 V or more 192 V or more 6 mm (0.24 in.) or more 1.9 ~ 2.9 Ω 18 ~ 28 k Ω 0.8 ~ 0.9 mm (0.031 ~ 0.035 in.) 3.75 ~ 6.25 k Ω 2.2 V or more 2.0 V or more 1.0 mm (0.04 in.) (Non-measurable and non-adjustable) 380 ~ 560 Ω
Electric Starter System Starter Motor: Brush Length Commutator Diameter	12 mm (0.47 in.) (Service limit 8.5 mm, 0.33 in.) 28 mm (1.1 in.) (Service limit 27 mm, 1.06 in.)
Switch And Sensor Rear Brake Light Switch Timing Engine Oil Pressure Switch Connections	ON after about 10 mm (0.39 in.) pedal travel When engine is stopped: ON When engine is running: OFF

Specifications

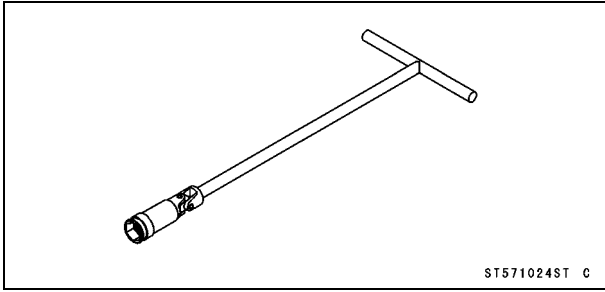
Item	Standard
Radiator Fan Switch Connections: Rising Temperature Falling Temperature Resistance	From OFF to ON @102 ~ 108°C (216 ~ 226°F) From ON to OFF @98°C (208°F) ~ temperature (less than ON temperature) ON: Less than 0.5 Ω OFF: More than 1 MΩ
Water Temperature Switch Connections: Rising Temperature Falling Temperature Resistance	From OFF to ON: 113 ~ 117°C (235 ~ 243°F) From ON to OFF: 108°C (226°F) ~ temperature (less than ON temperature) ON: Less than 0.5 Ω OFF: More than 1 MΩ
Fuel Level Switch Resistance	FULL position: 4 ~ 10 Ω EMPTY position: 90 ~ 100 Ω

- Refer to Fuel System chapter for specifications of DFI parts.

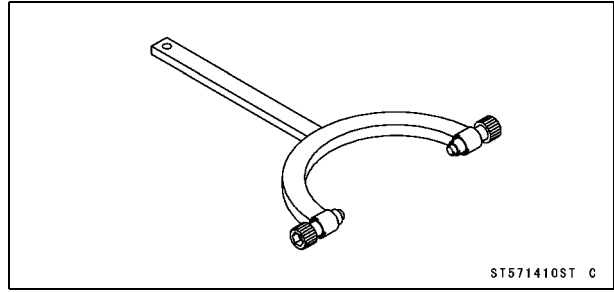
16-18 ELECTRICAL SYSTEM

Special Tools and Sealant

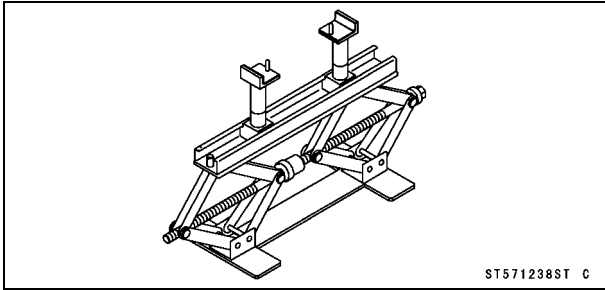
Spark Plug Wrench, Hex 18:
57001-1024



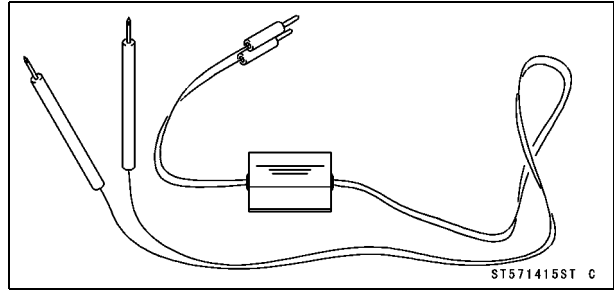
Flywheel Holder:
57001-1410



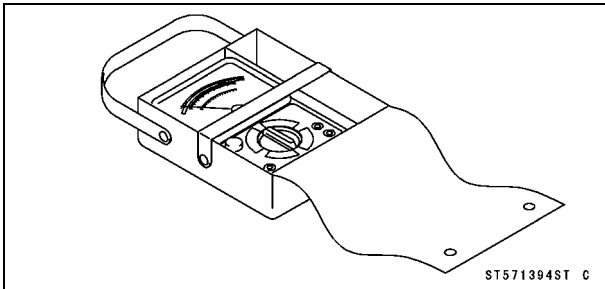
Jack:
57001-1238



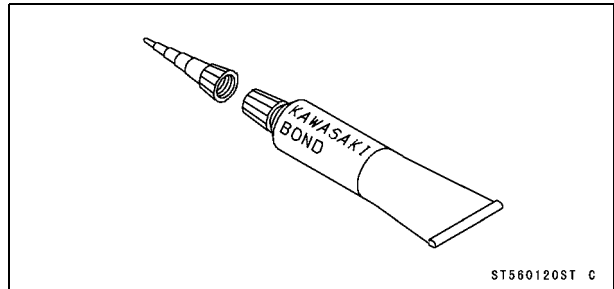
Peak Voltage Adapter:
57001-1415



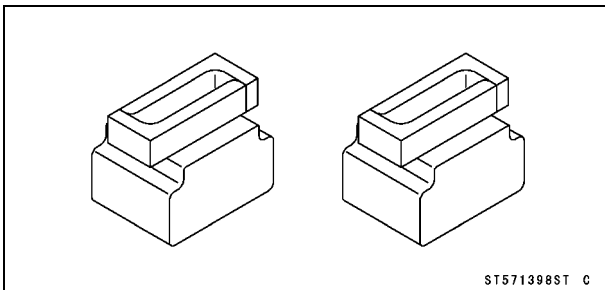
Hand Tester:
57001-1394



Kawasaki Bond (Silicone Sealant):
56019-120



Attachment Jack:
57001-1398



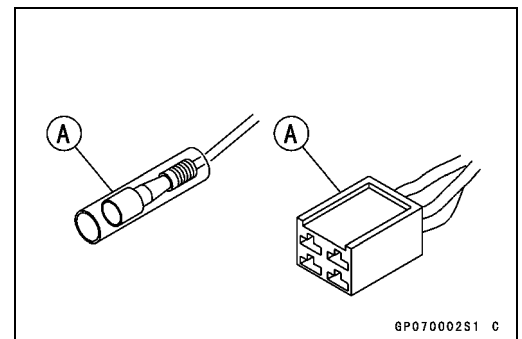
Servicing Precautions

There are a number of important precautions that should be followed servicing electrical systems.

- Do not reverse the battery cable connections. This will burn out the diodes on the electrical parts.
- Always check battery condition before condemning other parts of an electrical system. A fully charged battery is a must for conducting accurate electrical system tests.
- The electrical parts should never be struck sharply, as with a hammer, or allowed to fall on a hard surface. Such a shock to the parts can damage them.
- To prevent damage to electrical parts, do not disconnect the battery leads or any other electrical connections when the ignition switch is on, or while the engine is running.
- Because of the large amount of current, never keep the starter button pushed when the starter motor will not turn over, or the current may burn out the starter motor windings.
- Do not use a meter illumination bulb rated for other than voltage or wattage specified in the wiring diagram, as the meter or gauge panel could be warped by excessive heat radiated from the bulb.
- Take care not to short the leads that are directly connected to the battery positive (+) terminal to the chassis ground.
- Troubles may involve one or in some cases all items. Never replace a defective part without determining what CAUSED the failure. If the failure was caused by some other item or items, they too must be repaired or replaced, or the new replacement will soon fail again.
- Make sure all connectors in the circuit are clean and tight, and examine wires for signs of burning, fraying, etc. Poor wires and bad connections will affect electrical system operation.
- Measure coil and winding resistance when the part is cold (at room temperature).
- Wire Color Codes:

BK: Black	G: Green	P: Pink
BL: Blue	GY: Gray	PU: Purple
BR: Brown	LB: Light blue	R: Red
CH: Chocolate	LG: Light green	W: White
DG: Dark green	O: Orange	Y: Yellow

- Electrical Connectors
Female Connectors [A]

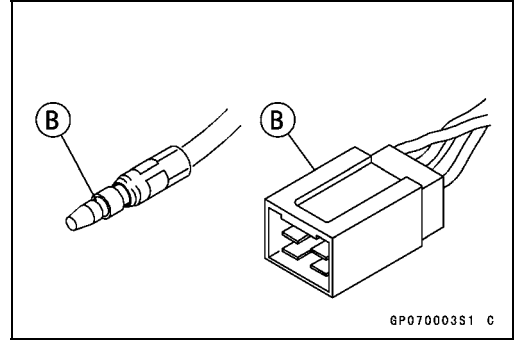


6P070002S1 C

16-20 ELECTRICAL SYSTEM

Servicing Precautions

Male Connectors [B]



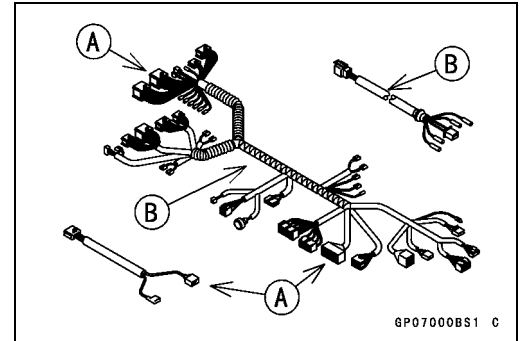
Electrical Wiring

Wiring Inspection

- Visually inspect the wiring for signs of burning, fraying, etc.
- ★ If any wiring is poor, replace the damaged wiring.
- Pull each connector [A] apart and inspect it for corrosion, dirt, and damage.
- ★ If the connector is corroded or dirty, clean it carefully. If it is damaged, replace it.
- Check that the connectors are not loose.
- Check the wiring for continuity.
- Use the wiring diagram to find the ends of the wire which is suspected of being a problem.
- Connect the hand tester between the ends of the wires.

Special Tool - Hand Tester: 57001-1394

- Set the tester to the $\times 1 \Omega$ range, and read the tester.
- ★ If the tester does not read 0Ω , the lead is defective. Replace the wire or the wiring harness [B] if necessary.



16-22 ELECTRICAL SYSTEM

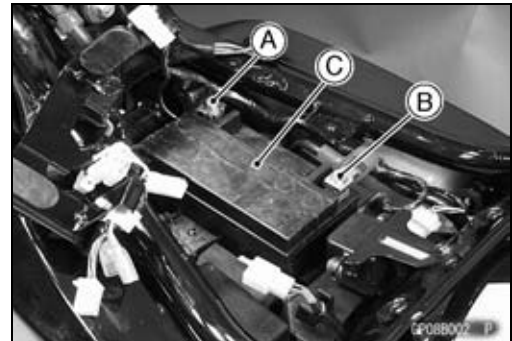
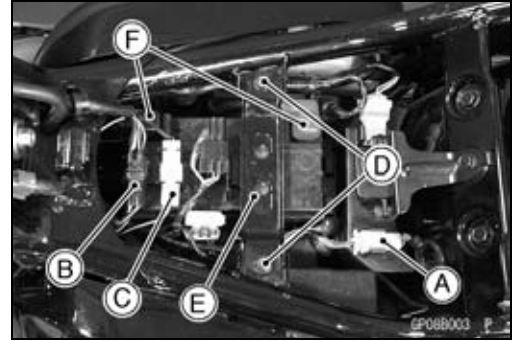
Battery

Battery Removal

CAUTION

Do not disconnect the battery cables or any other electrical connections when the ignition switch in ON, as this could damage the ECU (Electronic Control Unit).
Never reverse the connections of the battery, this could damage the ECU.

- Turn off the ignition switch.
 - Remove the seat (see Frame chapter).
 - Disconnect:
 - Sub Harness Connector [A]
 - Fuel Pump Connector [B]
 - Battery (-) Lead Connector [C]
 - Remove:
 - Bolts [D]
 - Battery Holder [E]
 - Slide the black and red caps [F] out.
-
- Disconnect the negative (-) cable [A] from the battery first and then the positive (+) cable [B] from the battery.
 - Pull the battery [C] out of the case.
 - Clean the battery using a solution of baking soda and water. Be sure that the wire connections are clean.



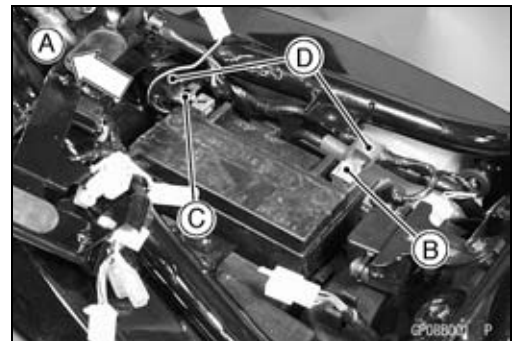
Battery Installation

- Visually inspect the surface of the battery container.
- ★ If any signs of cracking or electrolyte leakage from the sides of the battery.
- Face the (-) terminal forward [A] and put the battery into the battery case.

CAUTION

Do not install the battery backwards.

- Connect the capped cable terminal [B] (Red) to the (+) terminal first, and then the black capped cable terminal [C] (Black) to the (-) terminal.
- Apply a light coat of grease on the terminals to prevent corrosion.
- Cover the terminals with the black and red caps [D].

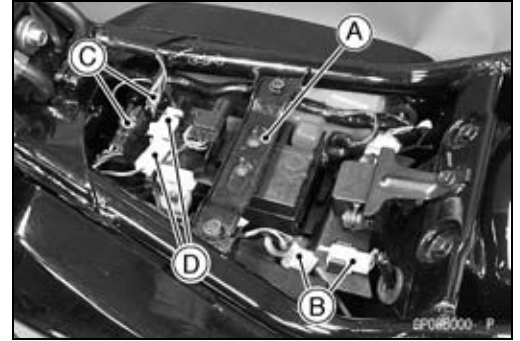


CAUTION

If each battery cable is not correctly disconnected or connected, sparks can arise at electrical connections, causing damage to electrical and DFI parts.

Battery

- Put the battery holder [A] on the battery.
- Tighten the bolts securely.
- Connect the sub harness [B], fuel pump [C] and battery (-) lead [D] connectors.
- Install the seat (see Frame chapter).



Electrolyte Filling

- Make sure that the model name [A] of the electrolyte container matches the model name [B] of the battery. These names must be the same.

Battery Model Name for VN1600-B1: FTZ16-BS

CAUTION

Be sure to use the electrolyte container with the same model name as the battery since the electrolyte volume and specific gravity vary with the battery type. This is to prevent overfilling of the electrolyte, shorting the battery life, and deterioration of the battery performance.

- Check to see that there is no peeling, tears or holes in the seal sheet on the top of the battery.
- Place the battery on a level surface.
- Remove the seal sheet [A].

CAUTION

Do not remove the seal sheet sealing the filler ports [B] until just before use.

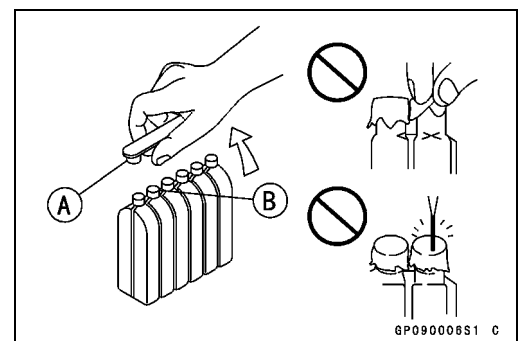
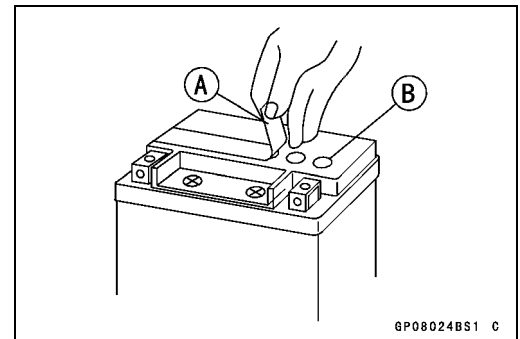
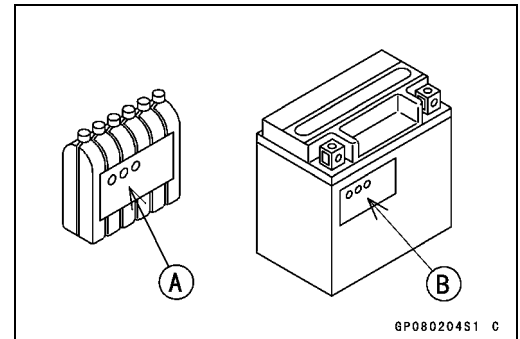
NOTE

- A battery whose seal sheet has any peeling, tears, or holes, requires a refreshing charge (initial charge).

- Take the electrolyte container out of the plastic bag.
- Detach the seal cap [A] from the container.

NOTE

- Do not discard the seal cap because it is used as the battery plugs later.
- Do not peel back or pierce the seals [B] on the container.



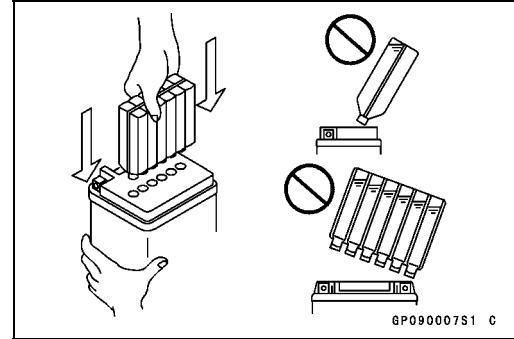
16-24 ELECTRICAL SYSTEM

Battery

- Place the electrolyte container upside down aligning the six seals with the six battery filler ports.
- Push the container down strongly enough to break the seals. Now the electrolyte should start to flow into the battery.

NOTE

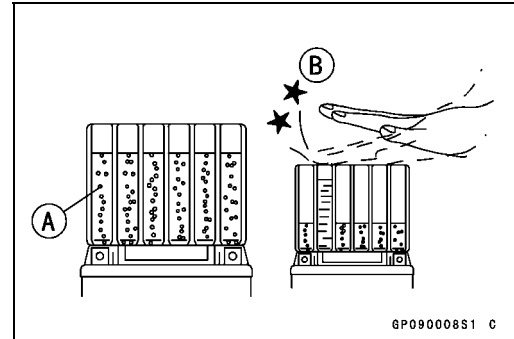
○Do not tilt the container as the electrolyte flow may be interrupted.



- Make sure air bubbles [A] are coming up from all six filler ports.
- Leave the container this way for 5 minutes or longer.

NOTE

○If no air bubbles are coming up from a filler port, tap [B] the bottom of the container two or three times. Never remove the container from the battery.



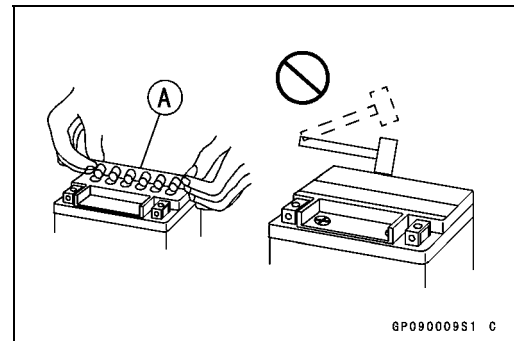
CAUTION

Fill the electrolyte into the battery until the container is completely emptied.

- Be certain that all the electrolyte has flowed out.
- Tap the bottom the same way as above if there is any electrolyte left in the container.
- Now pull the container gently out of the battery.
- Let the battery sit for **20** minutes. During this time, the electrolyte permeates the special separators and the gas generated by chemical reaction is released.
- Fit the seal cap [A] tightly into the filler ports until the seal cap is at the same level as the top of the battery.

NOTE

○Do not hammer. Press down evenly with both hands.



⚠ WARNING

Once you installed the seal cap after filling the battery, never remove it, nor add any water or electrolyte.

Battery

Initial Charge

While a Sealed battery can be used after only filling with electrolyte, a battery may not be able to sufficiently move a starter motor to start an engine in the cases shown in the table below, where an initial charge is required before use. However, if a battery shows a terminal voltage of 12.6 V or more, using a digital volt meter, after 10 minutes of filling, no initial charge is necessary.

Kawasaki-recommended chargers

OptiMate III
Yuasa 1.5 Amp Automatic charger
Battery Mate 150-9

If the above chargers are not available, use equivalent one.

NOTE

○To measure battery terminal voltage, use a digital voltmeter which can be read one decimal place voltage.

Condition requiring initial charge	Charging method
At low temperature (lower than 0°C)	1.8 A × 2 ~ 3 hours
Battery has been stored under high temperature and humidity.	1.8 A × 15 ~ 20 hours
Seal sheet has been removed, or broken-peeling, tear or hole.	
Battery two or more years old from date of manufacture. Battery manufacturing date is printed on battery top. Example) <u>12</u> <u>10</u> <u>99</u> <u>T1</u> Day Month Year Mfg. location	

Precautions

1) No need of topping-up

No topping-up is necessary in this battery until it ends its life under normal use. Forcibly prying off the seal cap to add water is very dangerous. Never do that.

2) Refreshing charge

If an engine will not start, a horn sounds weak, or lamps are dim, it indicates the battery has been discharged. Give refresh charge for 5 to 10 hours with charge current shown in the specification (see this chapter).

When a fast charge is inevitably required, do it following precisely the maximum charge current and time conditions indicated on the battery.

CAUTION

This battery is designed to sustain no unusual deterioration if refresh-charged according to the method specified above. However, the battery's performance may be reduced noticeably if charged under conditions other than given above. Never remove the seal cap during refresh charge.

If by chance an excessive amount of gas is generated due to overcharging, the relief valve releases the gas to keep the battery normal.

3) When you do not use the motorcycle for months:

Give a refresh charge before you store the motorcycle and store it with the negative cable removed. Give a refresh charge **once a month** during storage.

4) Battery life:

If the battery will not start the engine even after several refresh charges, the battery has exceeded its useful life. Replace it (Provided, however, the vehicle's starting system has no problem).

16-26 ELECTRICAL SYSTEM

Battery

⚠ WARNING

Keep the battery away from sparks and open flames during charging, since the battery gives off an explosive gas mixture of hydrogen and oxygen. When using a battery charger, connect the battery to the charger before turning on the charger.

This procedure prevents sparks at the battery terminals which could ignite any battery gases.

No fire should be drawn near the battery, or no terminals should have the tightening loosened.

The electrolyte contains sulfuric acid. Be careful not to have it touch your skin or eyes. If touched, wash it off with liberal amount of water. Get medical attention if severe.

Interchange

The Sealed battery can fully display its performance only when combined with the proper vehicle electric system. Therefore, replace a Sealed battery only on a motorcycle which was originally equipped with the Sealed battery.

Be careful, if a Sealed battery is installed on a motorcycle which had an ordinary battery as original equipment, the Sealed battery's life will be shortened.

Charging Condition Inspection

- Battery charging condition can be checked by measuring battery terminal voltage with a digital voltmeter [A].
- Remove the seat (see Frame chapter).
- Disconnect the battery terminals.

CAUTION

Be sure to disconnect the negative terminal first.

- Measure the battery terminal voltage.

NOTE

○ Measure with a digital voltmeter which can be read one decimal place voltage.

- ★ If the reading is 12.6 V or more, no refresh charge is required, however, if the read is below the specified, refresh charge is required.

Battery Terminal Voltage

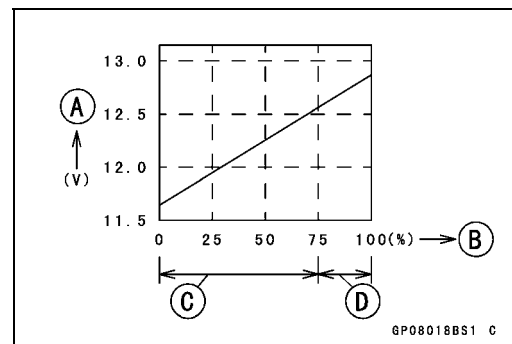
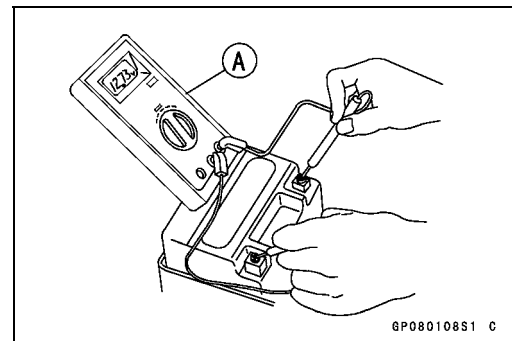
Standard: 12.6 V or more

Terminal Voltage (V) [A]

Battery Charge Rate (%) [B]

Refresh charge is required [C]

Good [D]

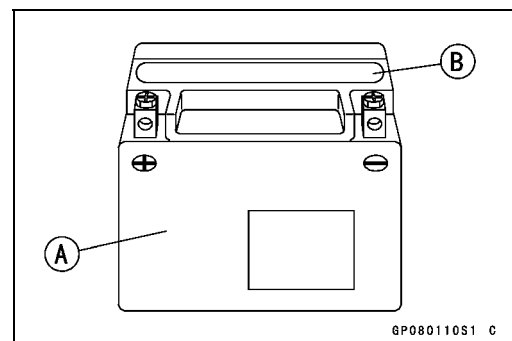


Refreshing Charge

- Remove the battery [A] (see Battery Removal).
- Do refresh charge by following method according to the battery terminal voltage.

⚠ WARNING

This battery is sealed type. Never remove seal cap [B] even at charging. Never add water. Charge with current and time as stated below.



Battery

Terminal Voltage: 11.5 ~ less than 12.6 V
 Standard Charge 1.8 A × 5 ~ 10 h
 (see following chart)
 Quick Charge 9.0 A × 1.0 h

CAUTION

If possible, do not quick charge. If quick charge is done unavoidably, do standard charge later on.

Terminal Voltage: less than 11.5 V
 Charging Method: 1.8 A × 20 h

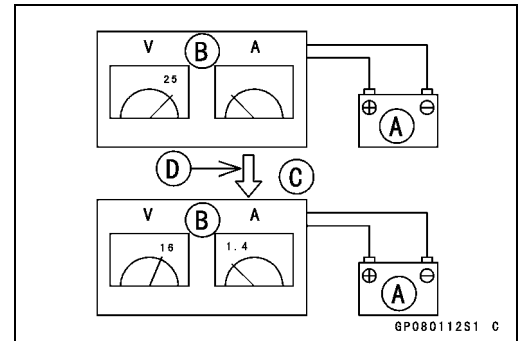
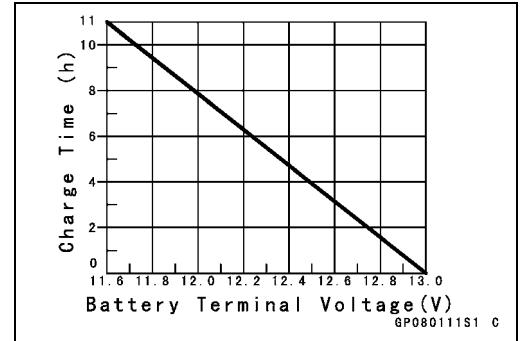
NOTE

○ Increase the charging voltage to a maximum voltage of 25 V if the battery will not accept current initially. Charge for no more than 5 minutes at the increased voltage then check if the battery is drawing current. If the battery will accept current decrease the voltage and charge by the standard charging method described on the battery case. If the battery will not accept current after 5 minutes, replace the battery.

Battery [A]
 Battery Charger [B]
 Standard Value [C]
 Adjust voltage so that the current will be standard value after 5 minutes [D].

- Determine the battery condition after refresh charge.
- Determine the condition of the battery left for 30 minutes after completion of the charge by measuring the terminal voltage according to the table below.

Criteria	Judgement
12.6 V or higher	Good
12.0 ~ lower than 12.6 V	Charge insufficient → Recharge
lower than 12.0 V	Unserviceable → Replace

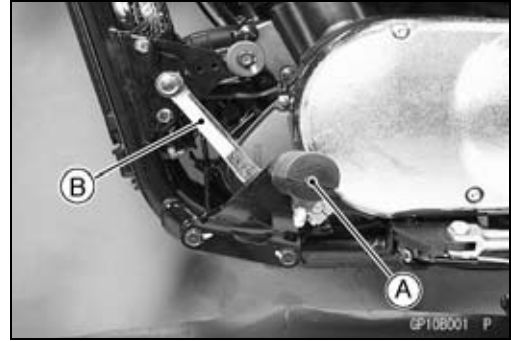


16-28 ELECTRICAL SYSTEM

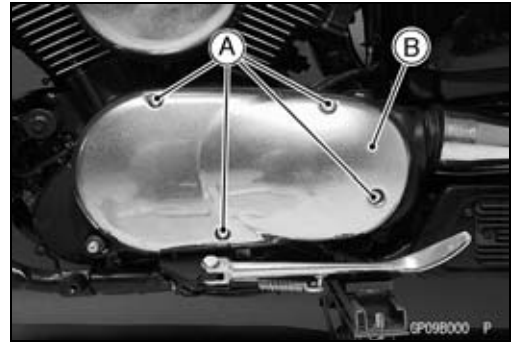
Charging System

Alternator Outer Cover Removal

- Remove (left side view):
 - Left Front Footpeg [A] (see Crankshaft/Transmission chapter)
 - Shift Pedal [B] (see Crankshaft/Transmission chapter)



- Unscrew the bolts [A] and take off the alternator outer cover [B].



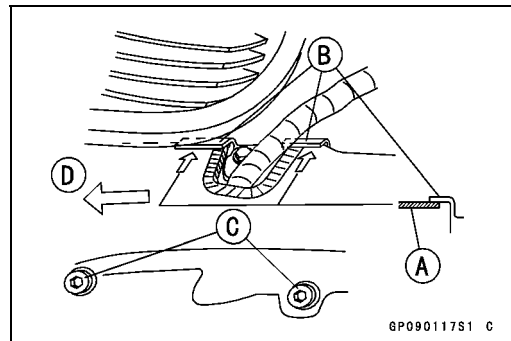
Alternator Outer Cover Installation

- First, insert the upper edge [A] of the alternator outer cover under the left crankcase ribs [B]. This prevents the rib failure.
- Apply a soap and water solution or rubber lubricant to the body of the alternator outer cover bolts [C] for easy installation and tighten them.

Torque - Alternator Outer Cover Bolts: 6.9 N·m (0.70 kgf·m, 61 in·lb)

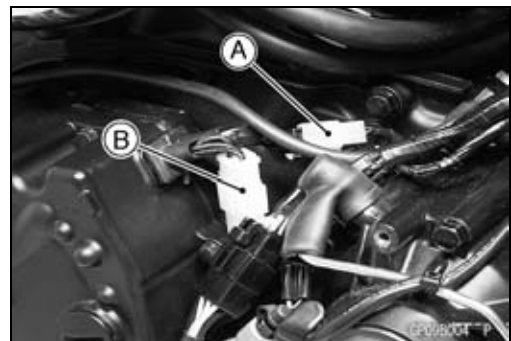
Front [D]

- Install the shift pedal (see Crankshaft/Transmission chapter).



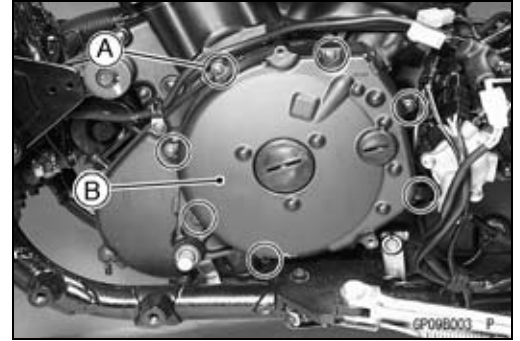
Alternator Cover Removal/Installation

- Remove:
 - Left Front Footpeg (see Crankshaft/Transmission chapter)
 - Shift Pedal (see Crankshaft/Transmission chapter)
- Remove the alternator outer cover (see Alternator Outer Cover Removal).
- Disconnect the crankshaft sensor lead connector [A] and alternator lead connector [B].



Charging System

- Unscrew the bolts [A] and take off the alternator cover [B].

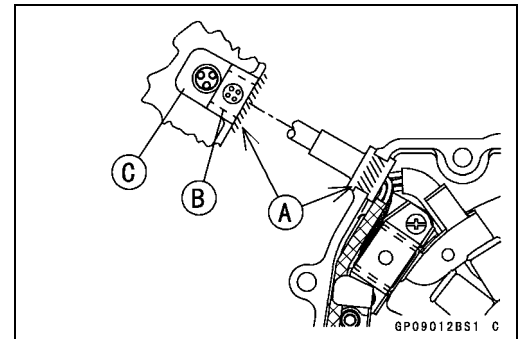


- Discard and replace the gasket with a new one.
- Apply silicone sealant to the area [A] to the crankshaft sensor wire grommet [B].
Stator Lead Grommet [C]

Sealant - Kawasaki Bond (Silicone Sealant): 56019-120

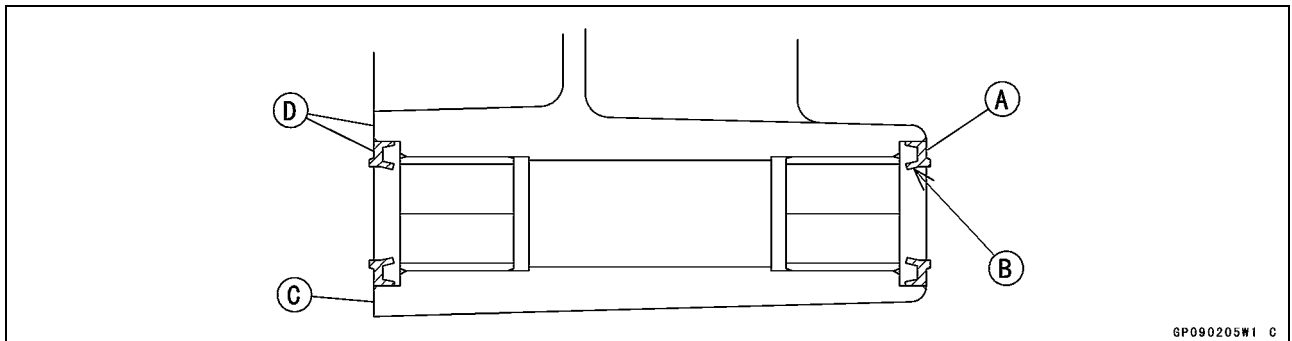
- Tighten the cover bolts.

Torque - Alternator Cover Bolts: 11 N·m (1.1 kgf·m, 97 in·lb)



Alternator Cover Assembly

- Install each shift shaft grease seal [A] with the lip [B] facing inside the alternator cover [C] until the seal side is even [D] with the end of the hole.
- Apply a little high temperature grease on the lips.



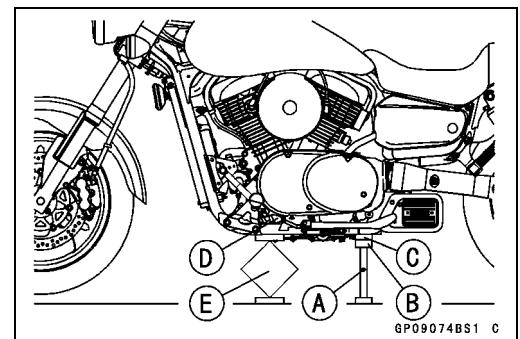
Alternator Inner Cover Removal

- Drain the engine oil (see Engine Lubrication System chapter).
- Using the jack [A] and the attachment jack [B], raise the front and rear wheels just off the ground.
Frame Pipe Rib [C]

Special Tools - Jack: 57001-1238

Attachment Jack: 57001-1398

- Remove:
 - Fuel Tank (see Fuel System chapter)
 - Alternator Outer Cover and Alternator Cover (see this chapter)
 - Alternator Lead Connectors
- Loosen the front and rear exhaust pipe holder nuts, and both chamber bolts.
- Support the front part of the engine bottom [D], using a commercially available jack [E].



16-30 ELECTRICAL SYSTEM

Charging System

- Remove the front engine mounting bolt [A].
- Loosen the rear engine mounting bolt [B].

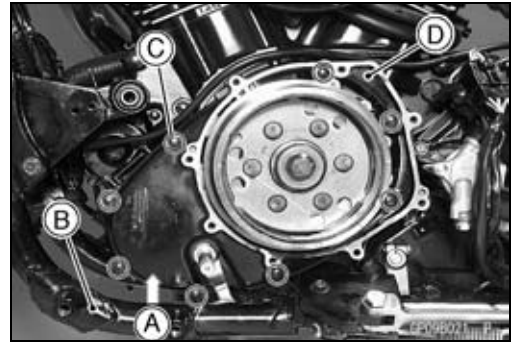


- Lift up [A] the front part of the engine, using the jack until the lower part of the alternator inner cover clears the lower frame [B].

NOTE

○ Turn the propeller shaft so that the engine can be raised as high as possible.

- Unscrew the bolts [C] and take off the alternator inner cover [D].



Alternator Inner Cover Installation

- Replace the gasket with a new one.
- Install the alternator inner cover and tighten the cover bolts.

Torque - Alternator Inner Cover Bolts: 11 N·m (1.1 kgf·m, 97 in·lb)

- Move the engine into its original position and tighten the engine mounting bolts.

Torque - Engine Mounting Bolts and Nuts: 44 N·m (4.5 kgf·m, 32 ft·lb)

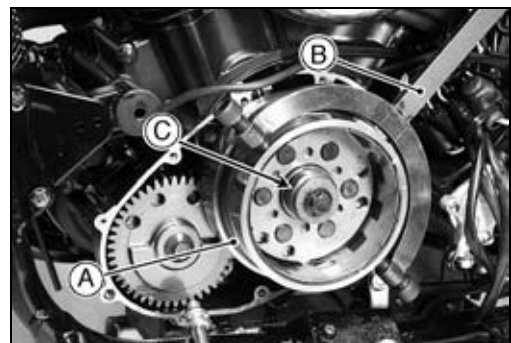
- Install the removed parts.

Alternator Rotor Removal

- Remove the alternator inner cover (see this chapter).
- Hold the alternator rotor [A] steady with the flywheel holder [B], and remove the rotor bolt [C].

Special Tool - Flywheel Holder: 57001-1410

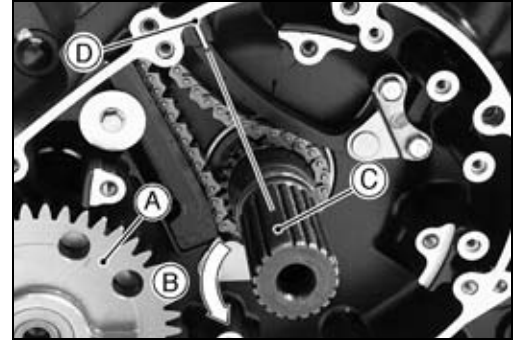
- Take the alternator rotor, washer, and ratchet off the crankshaft.



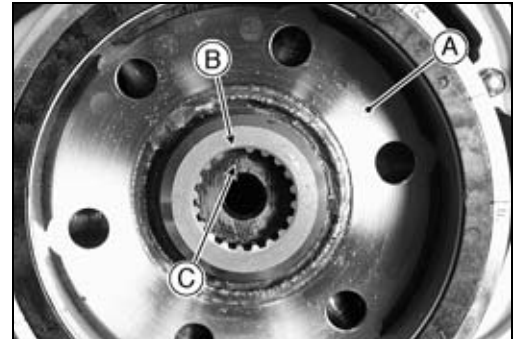
Charging System

Alternator Rotor Installation

- Install the left balancer [A].
- Turn the crankshaft counterclockwise [B] and align the alignment tooth [C] with the middle of the crankcase rib [D]. This makes the front piston set to its top dead center.

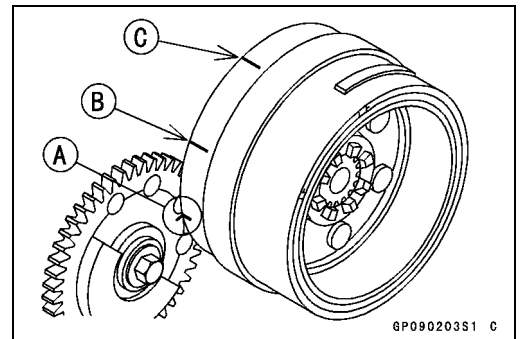


- Install the alternator rotor [A] while fitting the alignment notch [B] of the splines onto the alignment tooth [C].



- Be sure to align the balancer gear mark (shorter) with the alternator mark (line marks) [A] while keeping the front position on its top dead center.

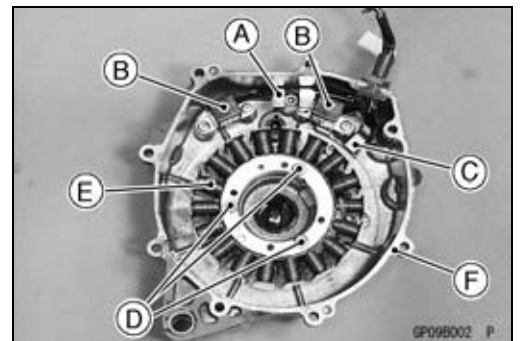
Top Mark for Rear Piston [B] (longer mark)
Top Mark for Front Piston [C] (longer mark)



- Apply molybdenum disulfide oil to the threads of the alternator rotor bolt.
- Tighten:
Torque - Alternator Rotor Bolt: 78 N·m (8.0 kgf·m, 57 ft·lb)
- Install:
Alternator Inner Cover (see this chapter)

Alternator Stator Removal

- Remove the alternator cover (see this chapter).
- Remove the crankshaft sensor lead holder [A].
- Remove the crankshaft sensors [B] from the alternator cover.
- Remove the stator lead holder [C].
- Unscrew the bolts [D] and take the stator [E] off the alternator cover [F].

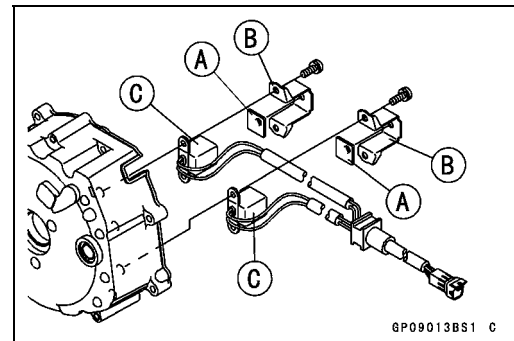
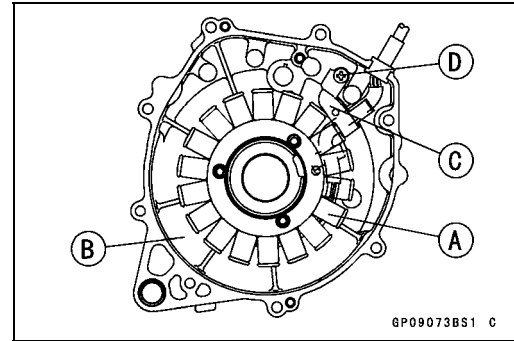


16-32 ELECTRICAL SYSTEM

Charging System

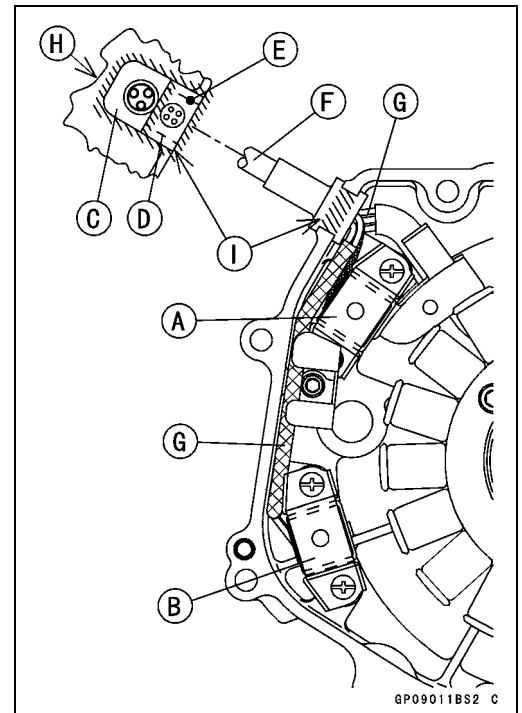
Alternator Stator Installation

- Install the stator [A] with the Y leads on the alternator cover [B].
- Apply:
**Non-permanent Locking Agent -
Alternator Stator Bolts**
- Tighten:
Torque - Alternator Stator Bolts: 13 N·m (1.3 kgf·m, 115 in·lb)
- Install the stator lead holder [C] and tighten the screw [D].
- Apply:
**Non-permanent Locking Agent -
Stator Lead Holder Screw**
- Tighten:
Torque - Stator Lead Holder Screw: 9.8 N·m (1.0 kgf·m, 87 in·lb)
- Set up the dampers [A] and crankshaft sensor holders [B] to the pickup coils [C].



Charging System

- Install the crankshaft sensors as shown.
 - Crankshaft sensor [A] with shorter leads (BK and BK/Y) for #1 (front)
 - Crankshaft sensor [B] with longer leads (BK/W and BK/R) for #2 (rear)
- Tighten:
 - **Torque - Crankshaft Sensor Screws: 2.9 N·m (0.30 kgf·m, 26 in·lb)**
- Run the longer crankshaft sensor leads over the shorter crankshaft sensor leads above the alternator leads.
- Apply:
 - **Non-permanent Locking Agent - Crankshaft Sensor Lead Holder Bolt**
- Tighten:
 - **Torque - Crankshaft Sensor Lead Holder Bolt: 2.9 N·m (0.30 kgf·m, 26 in·lb)**
- Apply silicone sealant to the sides [H] of the grommets as shown, and fit the grommets into the notch of the alternator cover.
- First, install the grommet [C] for the alternator leads, and then the grommet [D] for the crankshaft sensor leads with the round mark [E] up.
- Pull [F] the alternator leads and crankshaft sensor leads [G] outside the alternator cover, and **reduce the slack of leads inside the cover as possible** in order to prevent contact with the rotor.
- Apply silicone sealant to the mating surface [I] of the grommet.



16-34 ELECTRICAL SYSTEM

Charging System

Charging Voltage Inspection

- Check the battery condition.
- Warm up the engine to obtain actual alternator operating conditions.
- Remove the seat (see Frame chapter).
- Check that the ignition switch is turned off, and connect the hand tester to the battery as shown in the table.

Regulator/Rectifier Output Voltage

Tester Range	Connections		Reading @3 000 rpm
	Tester (+) to	Tester (-) to	
25 V DC	Battery (+)	Battery (-)	14.2 ~ 15.2 V

- Turn on the ignition switch and start the engine, and note the voltage readings at various engine speeds with the headlight turned on and then turned off (To turn off the headlight, disconnect the headlight connector in the headlight unit). The readings should show nearly battery voltage when the engine speed is low, and as the engine speed rises, the readings should also rise. But they must be kept under the specified voltage.
- Turn off the ignition switch to stop the engine, and disconnect the hand tester.
- ★ If the charging voltage is kept between the values given in the table, the charging system is considered to be working normally.
- ★ If the output voltage is much higher than the values specified in the table, the regulator/rectifier is defective or the regulator/rectifier leads are loose or open.
- ★ If the battery voltage does not rise as the engine speed increases, then the regulator/rectifier is defective or the alternator output is insufficient for the loads. Check the alternator and regulator/rectifier to determine which part is defective.

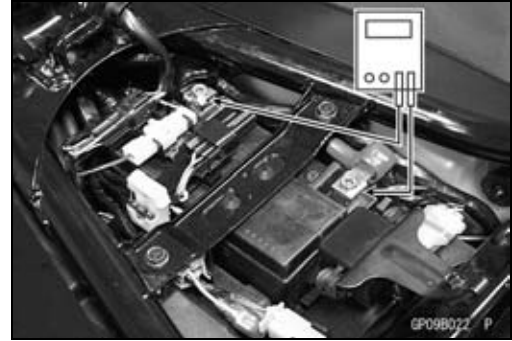
Alternator Inspection

There are three types of alternator failures: short, open (wire burned out), or loss in rotor magnetism. A short or open in one of the stator coil leads will result in either a low output, or no output at all. A loss in rotor magnetism, which may be caused by dropping or hitting the alternator, by leaving it near an electromagnetic field, or just by aging, will result in low output.

- To check the alternator output voltage, do the following procedures.
- Remove the alternator outer cover and disconnect the alternator connector [A].
- Connect the hand tester to the alternator connector as shown.

Special Tool - Hand Tester: 57001-1394

- Start the engine.
- Run it at 3 000 rpm of the engine speed.
- Note the voltage readings.



Charging System

Alternator Output Voltage

Tester Range	Connections		Reading @3 000 rpm
	Tester (+) to	Tester (-) to	
250 V AC	One yellow wire	Another yellow wire	64 ~ 96 V

★ If the output voltage shows the value in the table, the alternator operates properly and the regulator/rectifier is damaged. A much lower reading than the value in the table indicates that the alternator is defective.

○ Repeat the test for the other yellow wires.
Hand Tester [A]

● Check the stator coil resistance as follows:

○ Stop the engine.

○ Connect the hand tester [A] to the connector as shown in the table.

Note the resistance readings.

Stator Coil Resistance

Tester Range	Connections		Reading
	Tester (+) to	Tester (-) to	
$\times 1 \Omega$	One yellow wire	Another yellow wire	0.33 ~ 0.49 Ω

★ If there is more resistance than shown in the table, or no hand tester reading (infinity), the stator has an open wire and must be replaced. Much less than this resistance means the stator is shorted, and must be replaced.

● Using the highest resistance range of the hand tester, measure the resistance between each of the yellow wires and chassis ground.

★ Any hand tester reading less than infinity (∞) indicates a short, necessitating stator replacement.

★ If the stator coil has normal resistance, but the voltage check showed the alternator to be defective, then the rotor magnets have probably weakened, and the rotor must be replaced.

○ Repeat the test for the other yellow wires.

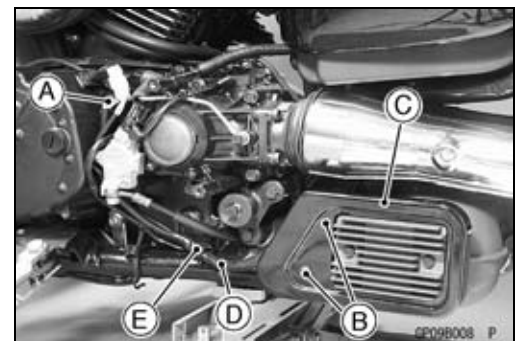
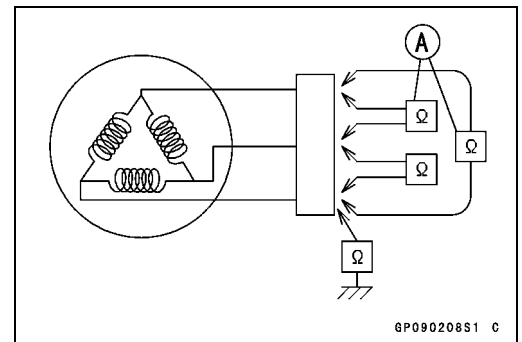
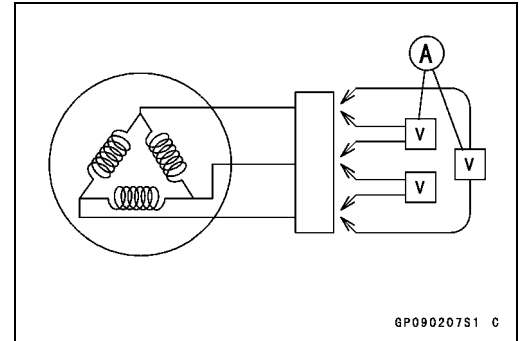
Regulator/Rectifier Removal

● Remove the alternator outer cover (see this chapter).

● Disconnect the regulator/rectifier connectors [A].

● Remove the cover bolts [B] and take off the regulator/rectifier cover [C].

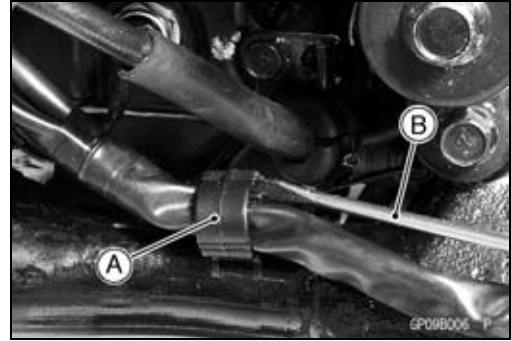
● Remove the regulator/rectifier lead [D] from the clamp [E].



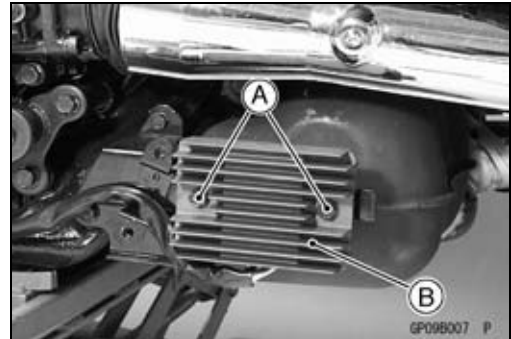
16-36 ELECTRICAL SYSTEM

Charging System

○ Open the clamp [A] with (–) screw driver [B].



- Remove the regulator/rectifier bolts [A] and take off the regulator/rectifier [B].

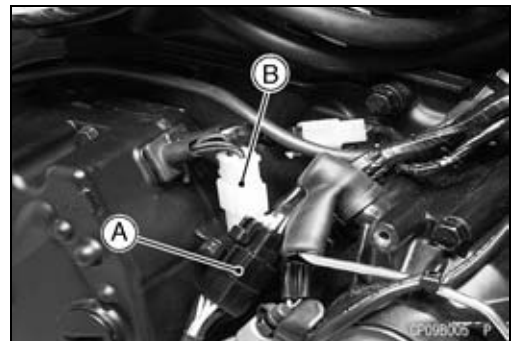


Regulator/Rectifier Inspection

- Remove the alternator outer cover (see this chapter).
- Disconnect the regulator/rectifier [A] and alternator [B] connectors.
- Set the hand tester to the $\times 1 \text{ k}\Omega$ range and make the measurements shown in the table.

Special Tool - Hand Tester: 57001-1394

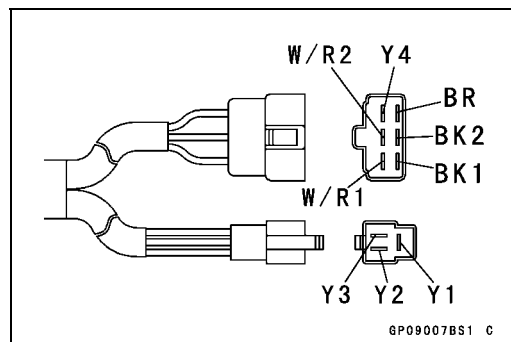
- Connect the hand tester to the regulator/rectifier.
- ★ If the tester readings are not as specified, replace the regulator/rectifier.



CAUTION

Use only Kawasaki Hand Tester 57001-1394 for this test. A tester other than the Kawasaki Hand Tester may show different readings.

If a megger or a meter with a large-capacity battery is used, the regulator/rectifier will be damaged.



Charging System

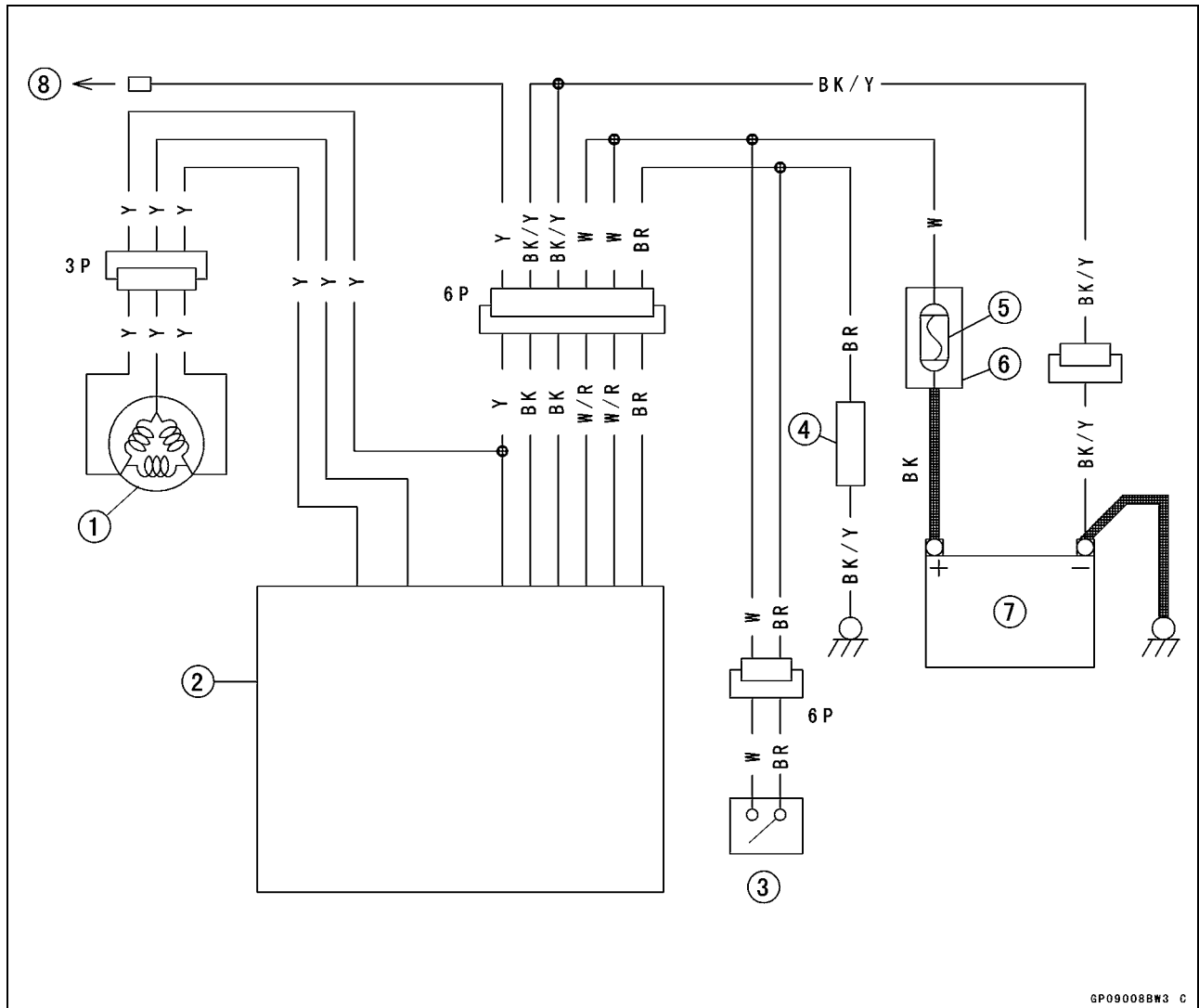
Regulator/Rectifier Internal Resistance

		Tester (+) Lead Connection									
(-)*	Terminal	BR	W/R1	W/R2	Y1	Y2	Y3	Y4	BK1	BK2	
	BR	—	∞	∞	∞	∞	∞	∞	∞	∞	∞
	W/R1	∞	—	0	∞	∞	∞	∞	∞	∞	∞
	W/R2	∞	0	—	∞	∞	∞	∞	∞	∞	∞
	Y1	∞	2 ~ 20	2 ~ 20	—	∞	∞	0	∞	∞	∞
	Y2	∞	2 ~ 20	2 ~ 20	∞	—	∞	∞	∞	∞	∞
	Y3	∞	2 ~ 20	2 ~ 20	∞	∞	—	∞	∞	∞	∞
	Y4	∞	2 ~ 20	2 ~ 20	0	∞	∞	—	∞	∞	∞
	BK1	1 ~ 20	5 ~ 100	5 ~ 100	2 ~ 20	2 ~ 20	2 ~ 20	2 ~ 20	—	0	—
	BK2	1 ~ 20	5 ~ 100	5 ~ 100	2 ~ 20	2 ~ 20	2 ~ 20	2 ~ 20	0	—	—

(-)*: Tester (-) Lead Connection

○Set the hand tester to the × 1kΩ range.

Charging System



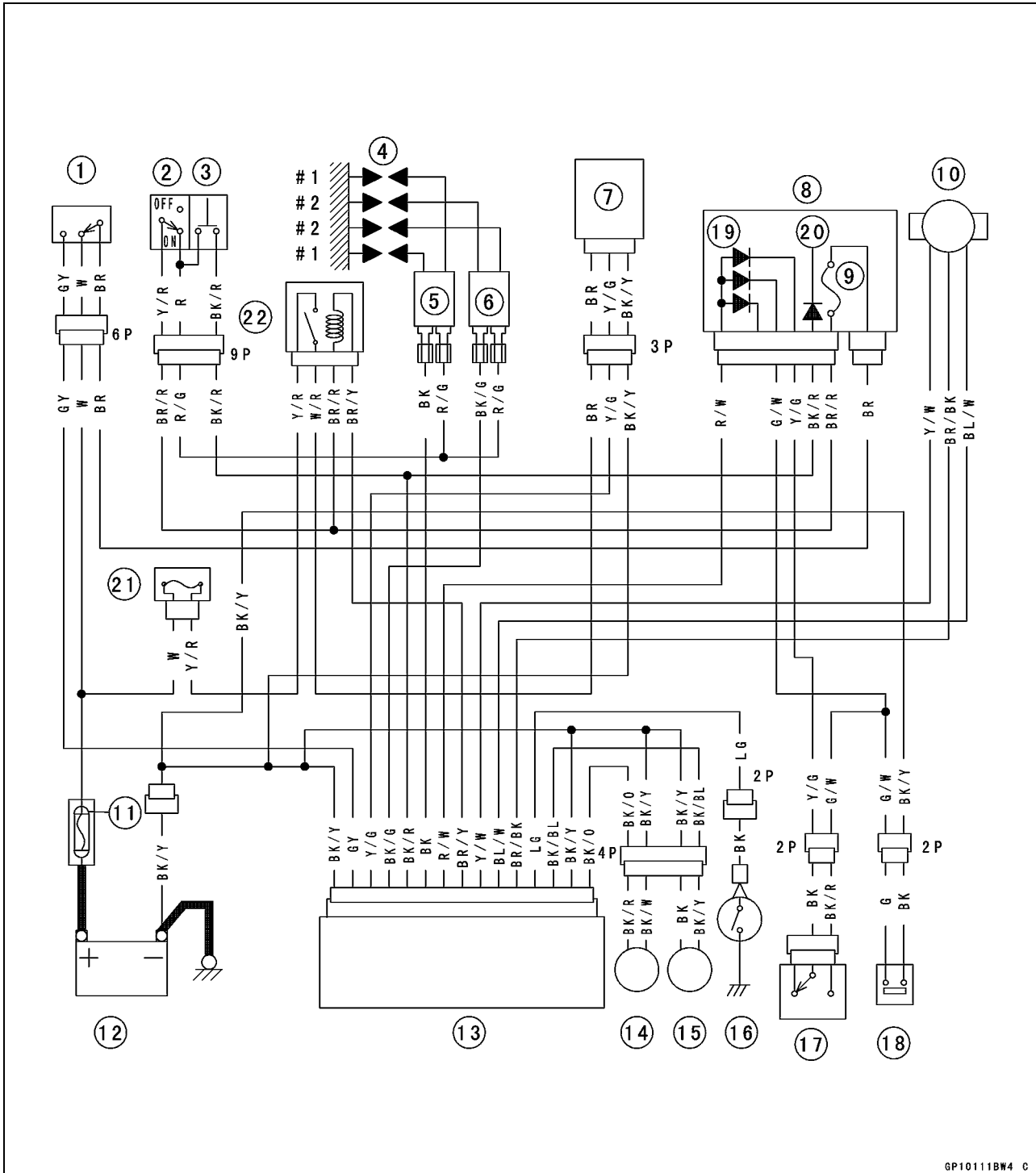
GP09008BW3 C

- | | |
|------------------------|------------------------------------|
| 1. Alternator | 5. Main Fuse 30 A |
| 2. Regulator/Rectifier | 6. Starter Relay |
| 3. Ignition Switch | 7. Sealed Battery 12 V 18 Ah |
| 4. Load | 8. Headlight Relay in Junction Box |

16-38 ELECTRICAL SYSTEM

Ignition System

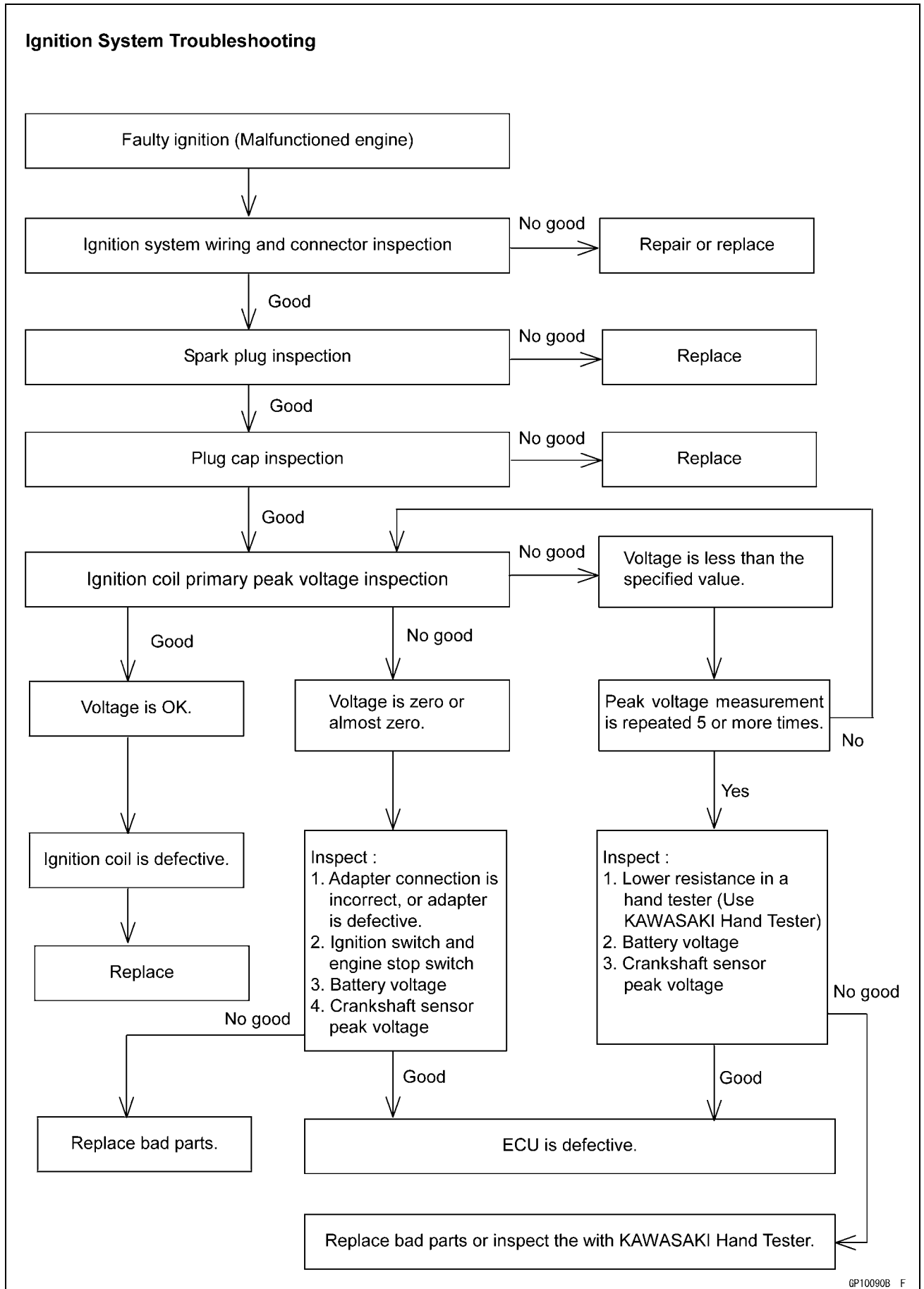
Ignition System Circuit



GP10111BW4 C

- | | |
|------------------------------|-------------------------------|
| #1: For Front Cylinder | 11. Main Fuse 30 A |
| #2: For Rear Cylinder | 12. Sealed Battery 12 V 18 Ah |
| 1. Ignition Switch | 13. ECU (DFI) |
| 2. Engine Stop Switch | 14. Crankshaft Sensor #2 |
| 3. Starter Button | 15. Crankshaft Sensor #1 |
| 4. Spark Plugs | 16. Neutral Switch |
| 5. Ignition Coil #1 | 17. Starter Lockout Switch |
| 6. Ignition Coil #2 | 18. Sidestand Switch |
| 7. Vehicle-down Sensor (DFI) | 19. Interlock Diodes |
| 8. Junction Box | 20. Starter Circuit Relay |
| 9. Ignition Fuse 10 A | 21. DFI Main Fuse 15 A |
| 10. Throttle Sensor (DFI) | 22. ECU Main Relay |

Ignition System



16-40 ELECTRICAL SYSTEM

Ignition System

⚠ WARNING

The ignition system produces extremely high voltage. Do not touch the spark plugs, ignition coils, or spark plug high-tension cables while the engine is running, or you could receive a severe electrical shock.

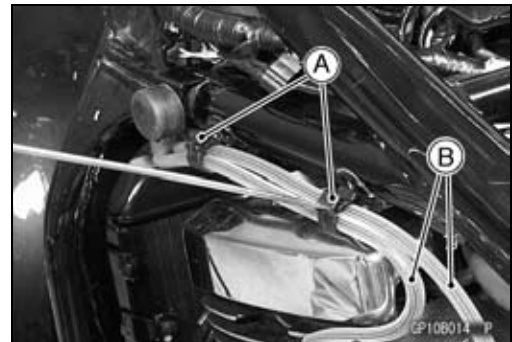
CAUTION

Do not disconnect the battery cables or any other electrical connections when the ignition switch is on, or while the engine is running. This is to prevent IC igniter damage in the ECU.

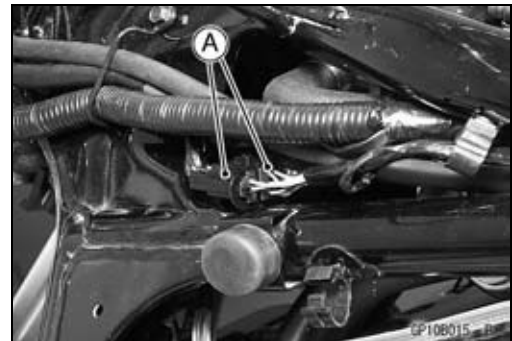
Do not install the battery backwards. The negative side is grounded. This is to prevent damage to the IC igniter in the ECU and the diodes.

Ignition Coil Removal

- Remove the fuel tank (see Fuel System chapter).
- Open the clamps [A].
- Pull off the high-tension cables [B] from the spark plugs.



- Disconnect the left handlebar switch connectors [A].

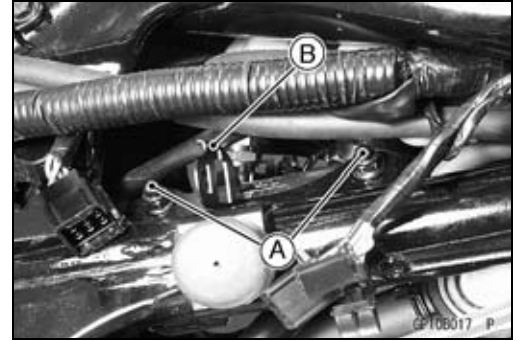


- Disconnect the primary wires [A].

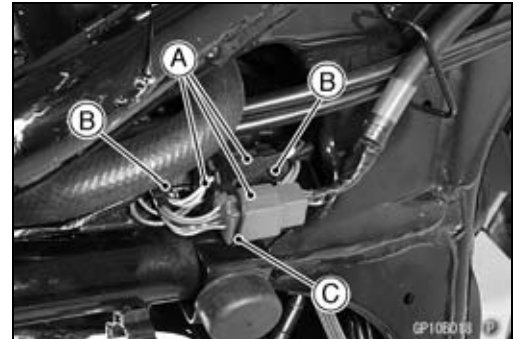


Ignition System

- Remove the mounting nuts [A] and connector bracket [B].
- Take out the #1 ignition coil.



- Disconnect the right handlebar switch, fan motor and rear brake switch connectors [A].
- Remove the mounting nuts [B] and connector bracket [C].
- Take on the #2 ignition coil.
- Disconnect the primary wires.

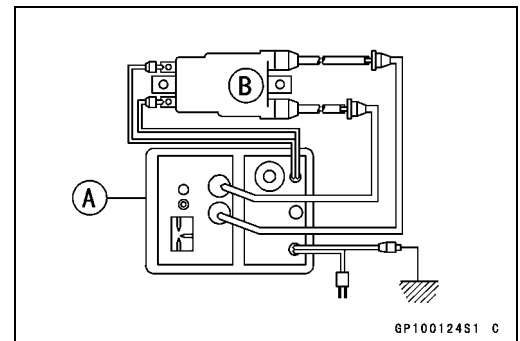


Ignition Coil Installation

- Connect the primary wires to the ignition coil terminals and run the high-tension cables according to the Cable, Wire, and Hose Routing section in the Appendix chapter.

Ignition Coil Inspection

- Remove the ignition coils (see Ignition Coil Removal).
- Measure the arcing distance with a commercially available coil tester [A] to check the condition of the ignition coil [B].
- Connect the ignition coil (with the spark plug cap left attached at the end of the spark plug terminal) to the tester in the manner prescribed by the manufacturer and measure the arcing distance.



Ignition Coil Arcing Distance

Standard: 6 mm (0.24 in.) or more

16-42 ELECTRICAL SYSTEM

Ignition System

⚠ WARNING

To avoid extremely high voltage shocks, do not touch the coil body or leads.

- ★ If the distance reading is less than the specified value, the ignition coil or spark plug caps are defective.
- To determine which part is defective, measure the arcing distance again with the spark plug caps removed from the ignition coil. Remove the caps by turning them counterclockwise.
- ★ If the arcing distance is subnormal as before, the trouble is with the ignition coil itself. If the arcing distance is now normal, the trouble is with the spark plug cap.
- ★ If the coil tester is not available, the coil can be checked for a broken or badly shorted winding with the hand tester.

Special Tool - Hand Tester: 57001-1394

NOTE

○ The hand tester cannot detect layer shorts and shorts resulting from insulation breakdown under high voltage.

- Measure the primary winding resistance as follows.
 - Connect the hand tester between the coil terminals.
 - Set the tester to the $\times 1 \Omega$ range, and read the tester.
 - Measure the secondary winding resistance as follows.
 - Remove the plug caps by turning them counterclockwise.
 - Connect the tester between the spark plug High-Tension cables.
 - Set the tester to the $\times 1 \text{ k}\Omega$ range and read the tester.
- Measure primary winding resistance [A].
Measure secondary winding resistance [B].
Ignition Coil [C]

Ignition Coil Winding Resistance

Primary Windings: 1.9 ~ 2.9 Ω ($\times 1 \Omega$)

Secondary Windings: 18 ~ 28 $\text{k}\Omega$ ($\times 1 \text{ k}\Omega$)

- ★ If the tester does not read as specified, replace the coil.
- To install the plug cap, turn it clockwise.

Spark Plug Removal

- Remove the spark plug caps.
- Remove the spark plugs using the 18 mm plug wrench.

Special Tool - Spark Plug Wrench, Hex 18: 57001-1024

Spark Plug Installation

- Insert the spark plug vertically into the plug hole with the plug installed in the plug wrench [A].

Special Tool - Spark Plug Wrench, Hex 18: 57001-1024

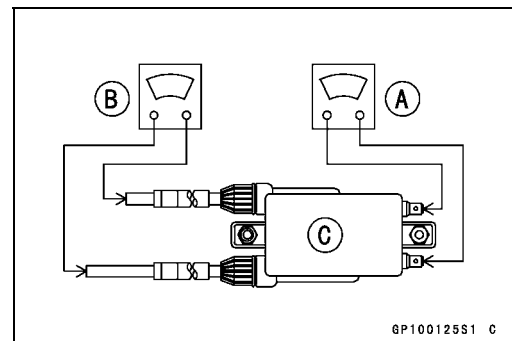
- Tighten the plugs.

Torque - Spark Plugs: 18 N·m (1.8 kgf·m, 13 ft·lb)

- Fit the plug caps securely.

Spark Plug Cleaning/Inspection

- Refer to Spark Plug Cleaning/Inspection in Periodic Maintenance chapter.



Ignition System

Ignition Coil Primary Peak Voltage

NOTE

○ Be sure the battery is fully charged.

- Remove the fuel tank (see Fuel System chapter).
- Remove all the spark plug caps but do not remove the spark plugs.
- Install new spark plugs into all the spark plug caps, and ground them onto the engine.
- Install the peak voltage adapter [A] into the hand tester [B].
- Connect the adapter between the ignition coil primary wire terminal and the engine ground with the primary wire left connected.

Special Tool - Peak Voltage Adapter: 57001-1415

Type: KEK-54-9-B

- Raise the main harness and coolant hose, and insert the adapter probe into the terminal of the primary wire [C].

ECU [D]

Battery [E]

Ignition Coil [F]

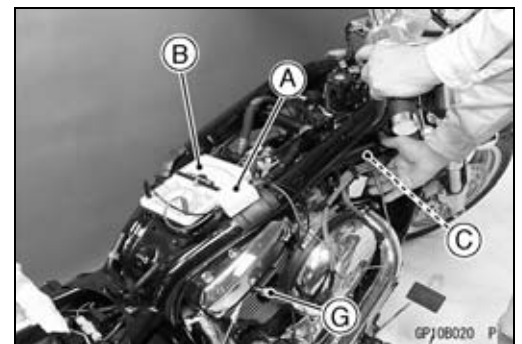
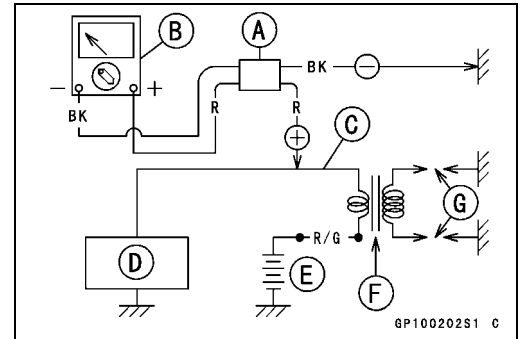
New Spark Plugs [G]

Special Tool - Hand Tester: 57001-1394

Hand Tester Range: × DC 1 000 V

Primary Lead Connections

	Adapter (R, +)	Adapter (BK, -)
Front Ignition Coil:	BK	↔ Ground
Rear Ignition Coil:	BK/G	↔ Ground



⚠ WARNING

To avoid extremely high voltage shocks, do not touch the spark plugs or tester connections.

- Turn the ignition switch and the engine stop switch ON.
- Pushing the starter button, turn the engine 4 ~ 5 seconds with the transmission in neutral to measure the primary peak voltage.
- Repeat the measurements 5 or more times for one ignition coil.

Ignition Coil Primary Peak Voltage

Standard:

Front 208 V or more

Rear 192 V or more

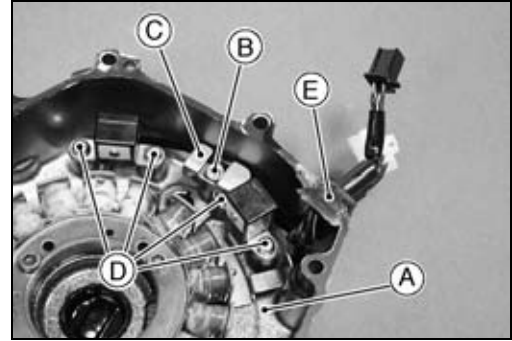
- Repeat the test for the other ignition coil.
- ★ If the reading is less than the specified value, check the following:
 - Ignition Coils (see Ignition Coil Inspection)
 - Crankshaft Sensors (see Crankshaft Sensor Inspection)
- ★ If the ignition coils, and crankshaft sensors are normal, check the ECU (see Fuel System chapter).

16-44 ELECTRICAL SYSTEM

Ignition System

Crankshaft Sensor Removal

- Remove the alternator cover [A] (see this chapter).
- Unscrew the holder bolt [B] and take off the crankshaft sensor lead holder [C].
- Unscrew the screws [D] and take off the crankshaft sensors with the grommet [E].

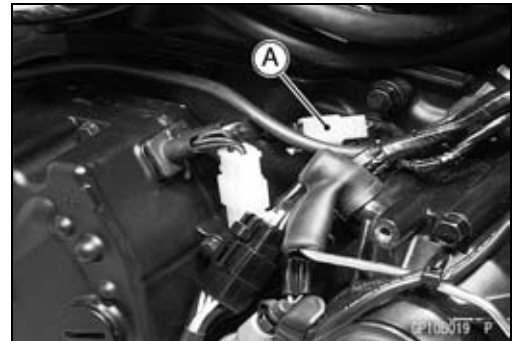


Crankshaft Sensor Installation

- Refer to Alternator Stator Installation in this chapter.

Crankshaft Sensor Inspection

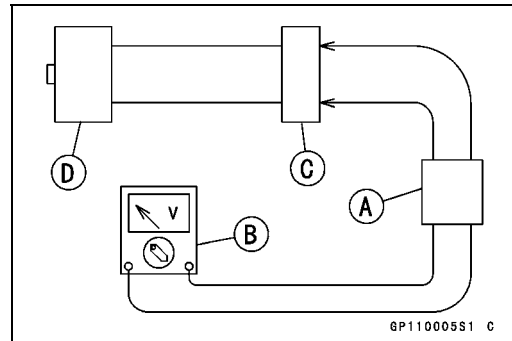
- Remove the alternator outer cover (see this chapter).
- Remove all the spark plug caps but do not remove the spark plugs.
- Disconnect the crankshaft sensor lead connector [A].



- Connect the peak voltage adapter [A] to the hand tester [B].

Special Tools - Peak Voltage Adapter: 57001-1415
Type: KEK-54-9-B
Hand Tester: 57001-1394

- Insert the adapter probes into the connector [C] of the crankshaft sensor [D] as shown.



Connections

	Adapter (R, +)	Adapter (BK, -)
Front Crankshaft Sensor:	BK/Y	↔ BK
Rear Crankshaft Sensor:	BK/R	↔ BK/W

Ignition System

NOTE

○ *Be sure the battery is fully charged.*

Hand Tester Range: × DC 10 V

- Turn the ignition switch and the engine stop switch ON.
- Pushing the starter button, turn the engine 4 ~ 5 seconds with the transmission in neutral to measure the crankshaft sensor peak voltage.
- Repeat the measurements 5 or more times for one crankshaft sensor.
- Repeat the test for the other crankshaft sensor.

Crankshaft Sensor Peak Voltage

Standard:

Front	2.2 V or more
Rear	2.0 V or more

- ★ If the reading is less than the specified value, replace the crankshaft sensor.
- ★ If the reading is normal, check the ECU (see Fuel System chapter).
- ★ If the peak voltage adapter is not available, the coil can be checked for a broken or badly shorted winding with the hand tester (special tool).

NOTE

○ *Using the peak voltage adapter is a more reliable way to determine the condition of the crankshaft sensor than crankshaft sensor internal resistance measurements.*

- Disconnect the crankshaft sensor lead connector.
- Set the hand tester [A] to the × 100 Ω range and wire it to the crankshaft sensor lead connector [B].

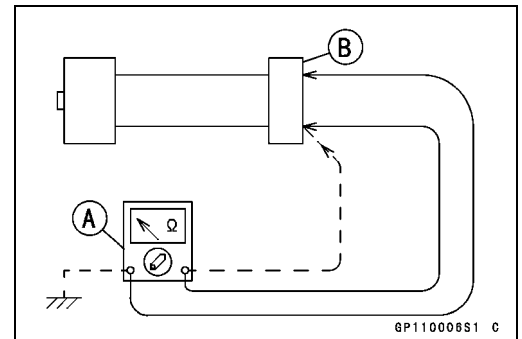
Connections

	Tester Connections	
Front Crankshaft Sensor:	BK/Y ↔	BK
Rear Crankshaft Sensor:	BK/R ↔	BK/W

- ★ If there is more resistance than the specified value, the coil has an open wire and must be replaced. Much less than this resistance means the coil is shorted, and must be replaced.

Crankshaft Sensor Resistance: Standard: 380 ~ 560 Ω

- Using the highest resistance range of the tester, measure the resistance between the crankshaft sensor wires and chassis ground.
- ★ Any tester reading less than infinity (∞) indicates a short, necessitating replacement of the crankshaft sensor assy.



16-46 ELECTRICAL SYSTEM

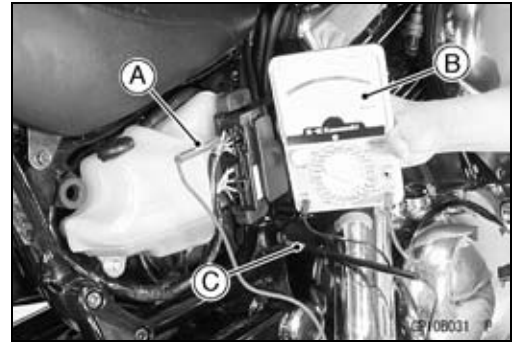
Ignition System

Interlock Operation Inspection

- Remove:
 - Side Cover (see Frame chapter)
- Do not disconnect the connectors.

1st Check

- Measure the terminal voltage of the R/W wire in the junction box connector [A] in accordance with the following procedure.
- Set the tester [B] to the 10 V DC range, connect it to the R/W wire and frame ground [C].



Connection

Tester (+) Terminal → R/W Wire Terminal

Tester (-) Terminal → Frame Ground

Condition

Transmission Gear → 1st Position

Clutch Lever → Release

Side Stand → Down

- Turn the ignition switch on.
- Read the voltage.

Interlock Operation Voltage

Standard: 4 V or more

- ★ If the voltage is lower than the standard, inspect the side stand switch, starter lockout switch, gear position switch and junction box.
- ★ If their parts are normality, replace the ECU.
- ★ If the voltage is standard, push the starter button.
- Then the starter motor should not turn when the starter system circuit is normality.
- ★ If the starter motor turned, ECU is defective. Replace the ECU.

2nd Check

Using a stand, raise the rear wheel off the ground.

- Inspect the engine for its secure stop after the following operations are completed.
- Run the engine to the following conditions.

Condition

Transmission Gear → 1st Position

Clutch Lever → Release

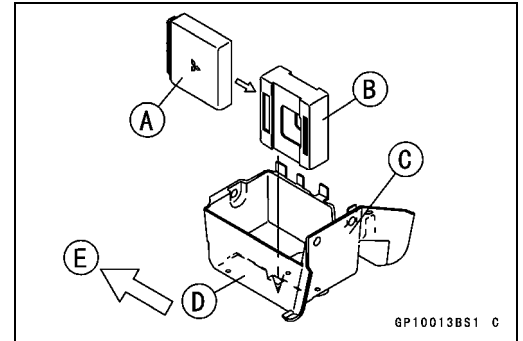
Side Stand → Up

- Set the side stand on the ground, then the engine will stop.
- ★ If whichever may not be stopped, inspect the gear position switch, starter lockout switch, side stand switch and junction box.
- ★ If their parts are normality, replace the ECU.

Ignition System

IC Igniter Inspection

- The IC igniter is built in the ECU [A].
 - Damper [B]
 - Battery Case [C]
 - Groove [D]
 - Front [E]
- Refer to Fuel System chapter for ECU Inspection.

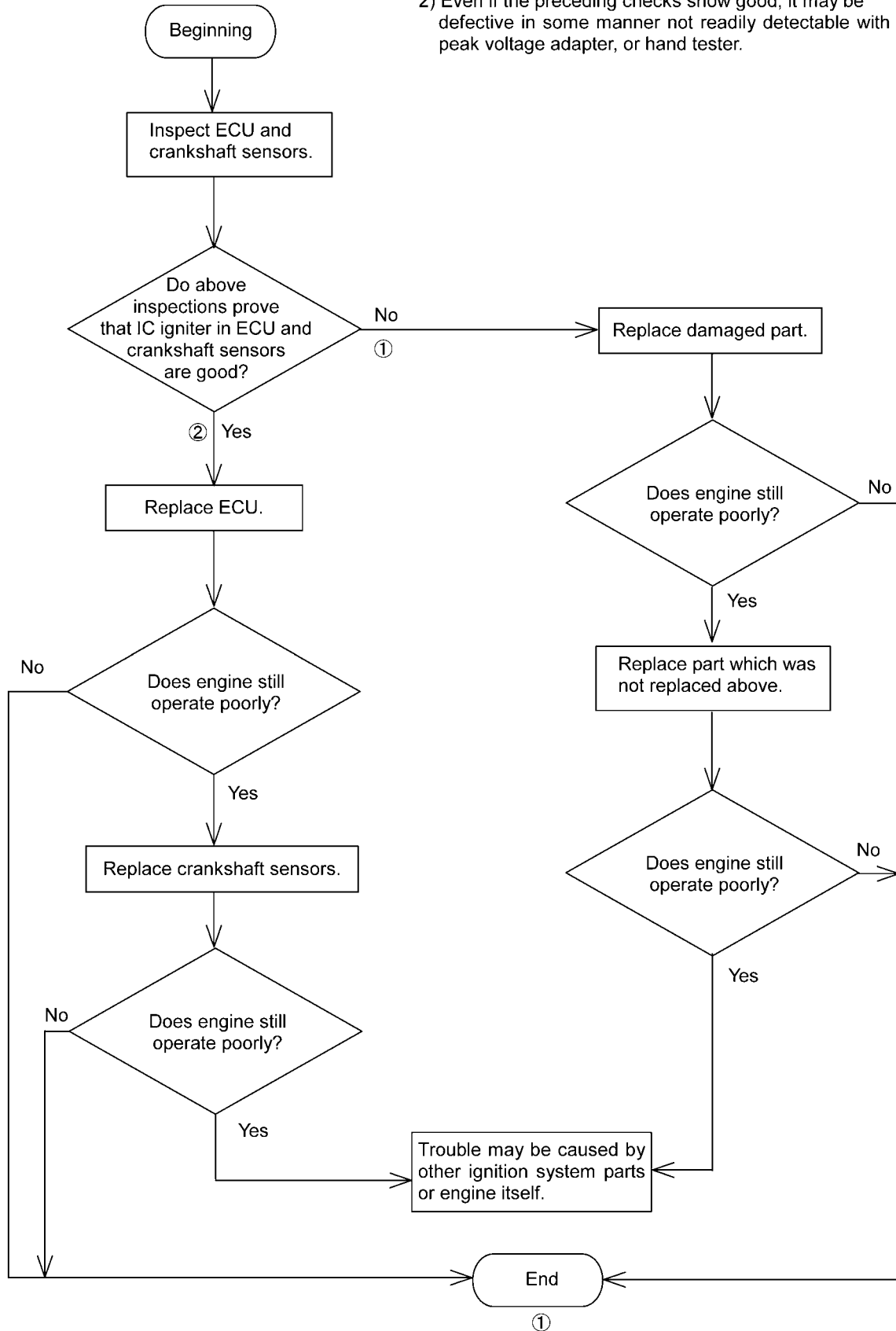


16-48 ELECTRICAL SYSTEM

Ignition System

IC igniter in ECU Troubleshooting

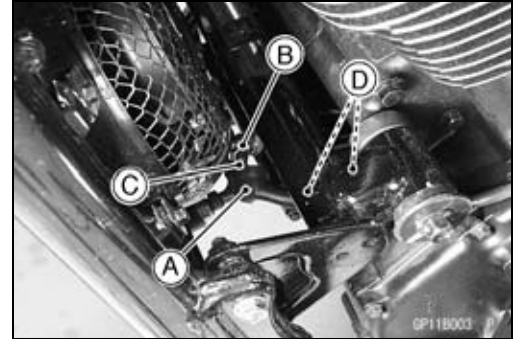
- 1) IC igniter in ECU or crankshaft sensor is damaged.
- 2) Even if the preceding checks show good, it may be defective in some manner not readily detectable with peak voltage adapter, or hand tester.



Starter Motor

Starter Motor Removal

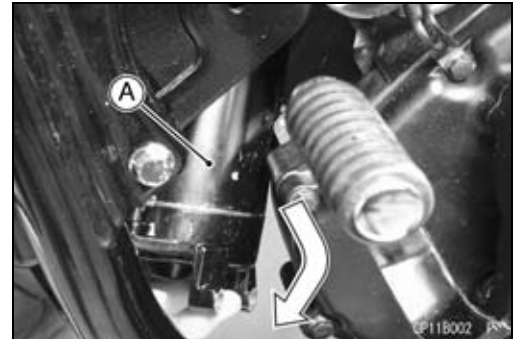
- Slide out the cap [A]
- Remove:
 - Starter Motor Terminal Nut [B]
 - Cable [C]
 - Starter Motor Bolts [D]



- Pull the starter motor [A] toward the left and remove it.

CAUTION

Never drop the starter motor, especially on a hard surface. Such a shock to the motor can damage it.

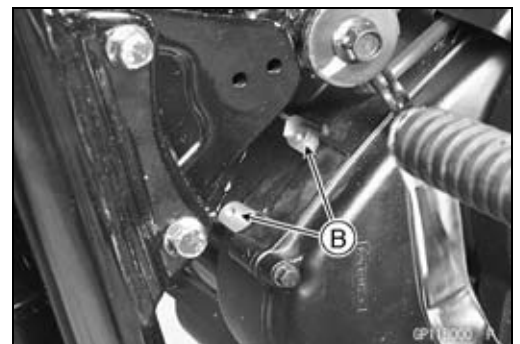


Starter Motor Installation

CAUTION

Do not tap the starter motor shaft or body. Tapping the shaft or body could damage the motor.

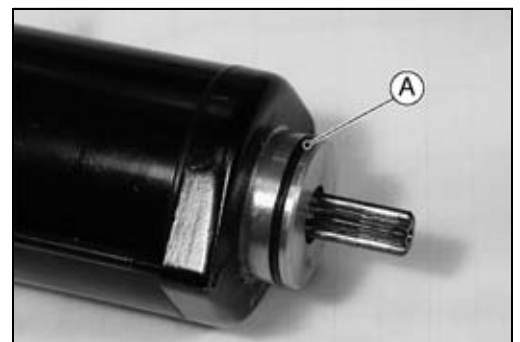
- When installing the starter motor, clean the starter motor legs [A] and crankcase [B] where the starter motor is grounded.



- Replace the O-ring [A] with a new one.
- Apply a small amount of engine oil to the O-ring.
- Tighten:

Torque - Starter Motor Mounting Bolts: 11 N·m (1.1 kgf·m, 97 in·lb)

Starter Motor Terminal Nut: 4.9 N·m (0.50 kgf·m, 43 in·lb)

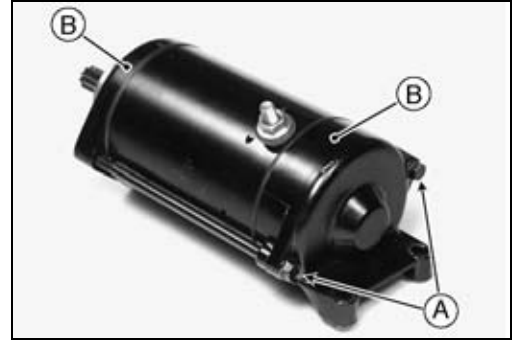


16-50 ELECTRICAL SYSTEM

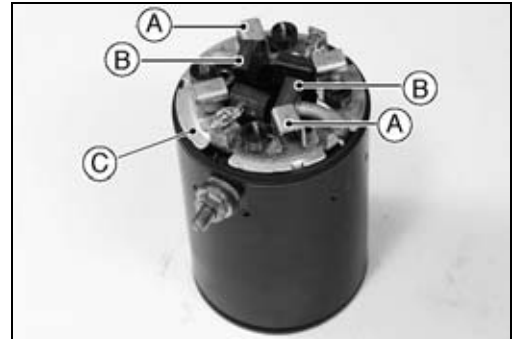
Starter Motor

Disassembly

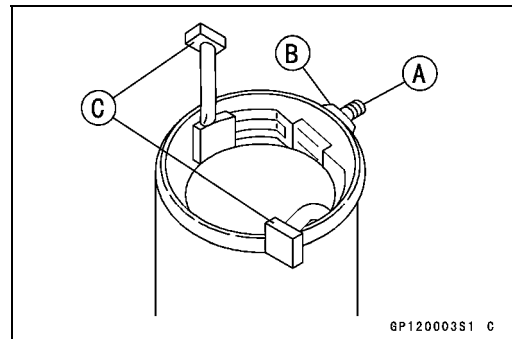
- Remove the starter motor (see Starter Motor Removal).
- Take off the starter motor assy bolts [A] and remove both end covers [B] and pull the armature out of the yoke.



- Take the positive carbon brushes [B] out of the brush holders [A].
- Take off the brush plate [C] with brush wire from the yoke.

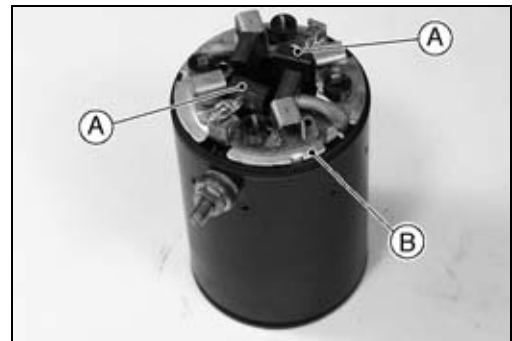


- Unscrew the terminal locknut [B] and remove the terminal bolt [A].
- Take the positive carbon brushes and wire assy [C] out of the yoke.



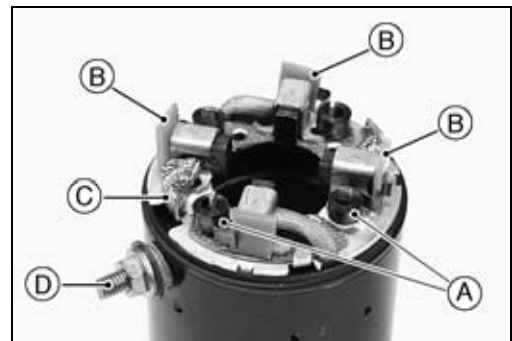
NOTE

○Do not remove the negative carbon brushes [A] from the brush plate [B].



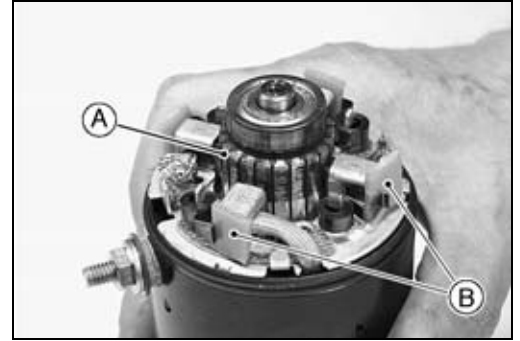
Assembly

- Holding the springs [A] with plastic washers [B], insert the brushes.
- Fit the brush wire into the holder groove.
- Align the tang [C] with the terminal bolt [D].

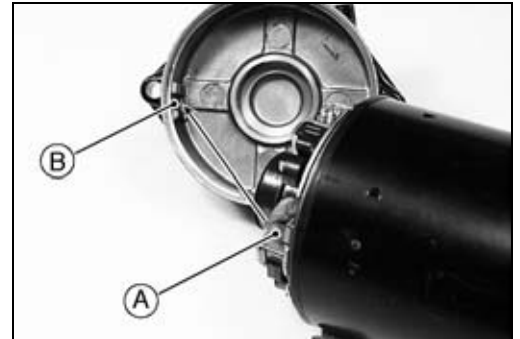


Starter Motor

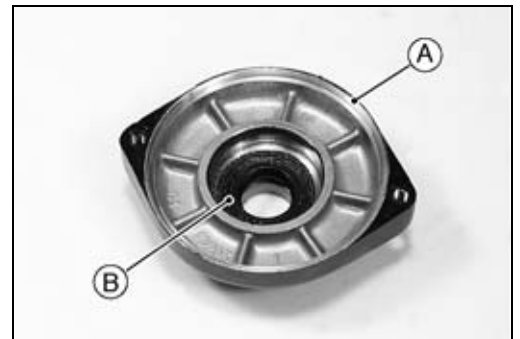
- Put the armature [A] among the brushes, and remove the plastic washers [B].



- Fit the tang [A] of the brush plate into the left end cover groove [B].



- Apply a thin coat of grease to the oil seal [B] in the right end cover [A].



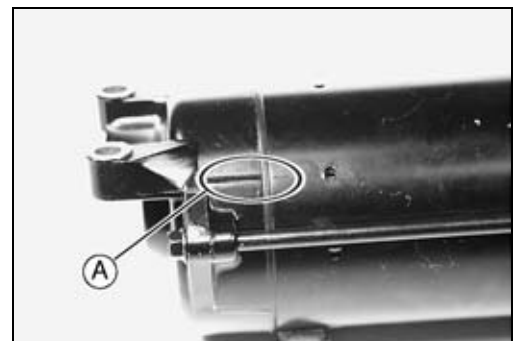
- Apply a thin coat of grease to the left bearing [A].
- Fit shims onto the right end cover.



○The line on the yoke should align [A] with the line on the left cover.

- Tighten:

Torque - Starter Motor Assembly Bolts: 4.9 N·m (0.50 kgf·m, 43 in·lb)



16-52 ELECTRICAL SYSTEM

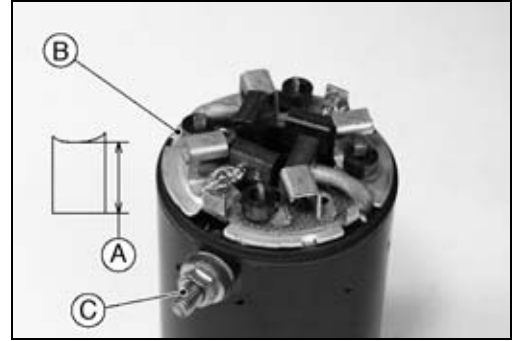
Starter Motor

Brush Inspection

- Measure the length [A] of each brush.
- ★ If any is worn down to the service limit, replace the carbon brush holder assy [B] and the terminal bolt assy [C].

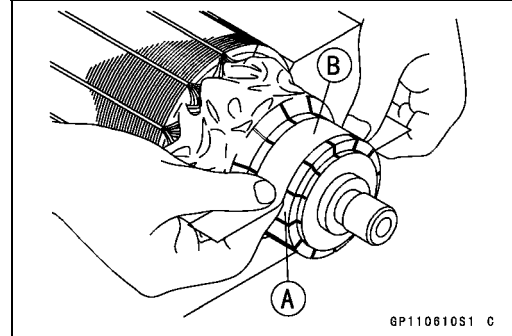
Starter Motor Brush Length

Standard:	12 mm (0.47 in.)
Service Limit:	8.5 mm (0.33 in.)



Commutator Cleaning and Inspection

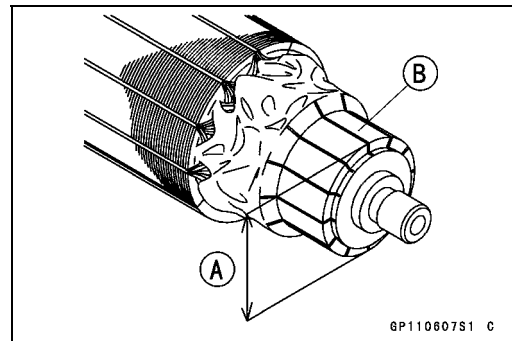
- Smooth the commutator surface [A] if necessary with fine emery cloth [B], and clean out the grooves.



- Measure the diameter [A] of the commutator [B].
- ★ Replace the starter motor with a new one if the commutator diameter is less than the service limit.

Commutator Diameter

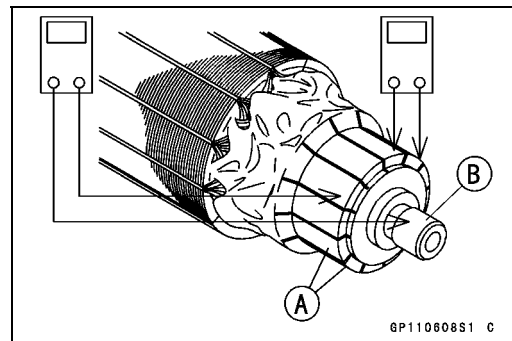
Standard:	28 mm (1.1 in.)
Service Limit:	27 mm (1.06 in.)



Armature Inspection

- Using the $\times 1 \Omega$ hand tester range, measure the resistance between any two commutator segments [A].
- ★ If there is a high resistance or no reading (∞) between any two segments, a winding is open and the starter motor must be replaced.
- Using the highest hand tester range, measure the resistance between the segments and the shaft [B].
- ★ If there is any reading at all, the armature has a short and the starter motor must be replaced.

Special Tool - Hand Tester: 57001-1394



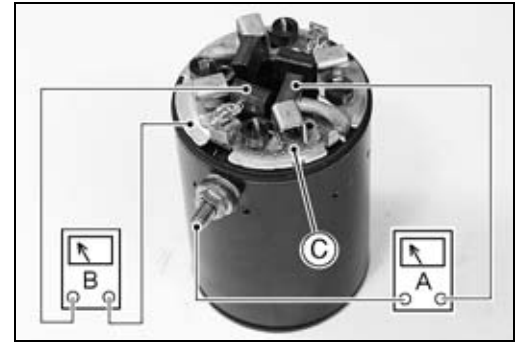
NOTE

○ Even if the foregoing checks show the armature to be good, it may be defective in some manner not readily detectable with the hand tester. If all other starter motor components and starter motor circuit components check good, but the starter motor still does not turn over or only turns over weakly, replace the starter motor with a new one.

Starter Motor

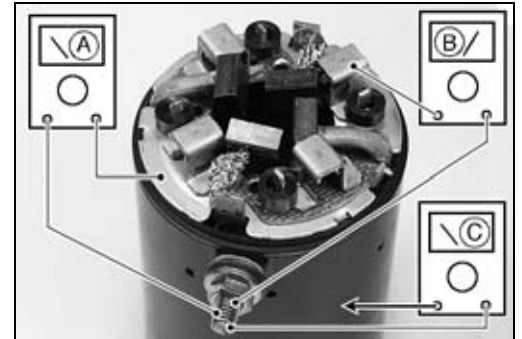
Brush Assy Inspection

- Using the $\times 1 \Omega$ hand tester range, measure the resistance as follows.
 - Terminal Bolt and Positive Brushes [A]
 - Brush Plate and Negative Brushes [B]
 - Plastic [C]
- The reading should be zero.
- ★ If there is not close to zero ohms, the brush lead has an open. Replace the terminal bolt assembly and the brush holder assembly.



Brush Plate and Terminal Bolt Inspection

- Using the highest hand tester range, measure the resistance as shown.
 - Terminal Bolt and Brush Plate [A]
 - Terminal Bolt and Negative Brush Holders [B]
 - Terminal Bolt and Yoke [C]
- The reading should be infinite ($\infty \Omega$).
- ★ If there is any reading, the brush holder assembly and/or terminal bolt assembly have a short. Replace the brush holder assembly and the terminal bolt assembly.



Starter Relay Inspection

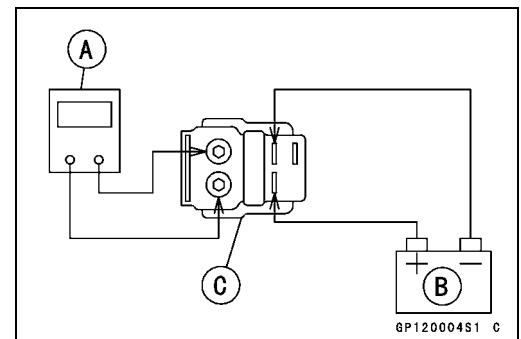
- Remove the right side covers (see Frame chapter).
- Remove the coolant reserve tank, then the starter relay.
- Connect the hand tester [A] and 12 V battery [B] to the starter relay [C] as shown.
- ★ If the relay does not work as specified, the relay is defective. Replace the relay.

Testing Relay

Tester Range: $\times 1 \Omega$ range

Criteria: When battery is connected $\rightarrow 0 \Omega$

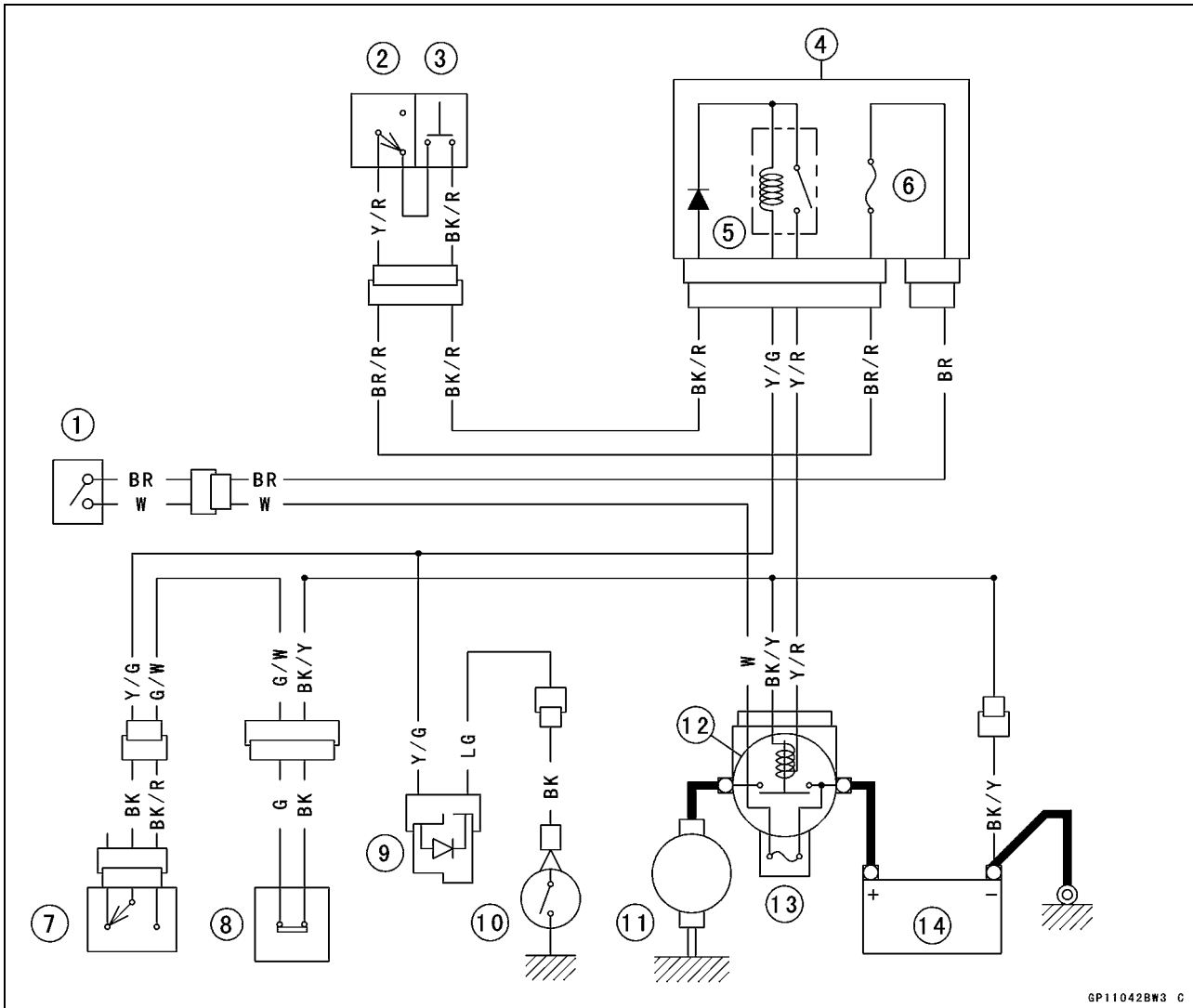
When battery is disconnected $\rightarrow \infty \Omega$



16-54 ELECTRICAL SYSTEM

Starter Motor

Electric Starter Circuit



GP11042BW3 C

1. Ignition Switch
2. Engine Stop Switch
3. Starter Button
4. Junction Box
5. Starter Circuit Relay
6. Ignition Fuse 10 A
7. Starter Lockout Switch
8. Side Stand Switch
9. Diode
10. Neutral Switch
11. Starter Motor
12. Starter Relay
13. Main Fuse 30 A
14. Sealed Battery 12 V 18 Ah

Lighting System

This model adopts the daylight system and has a headlight relay in the junction box. The headlight does not go on when the ignition switch and the engine stop switch are first turned on. The headlight comes on when the engine starts running and stays on even if the engine stalls. The headlight goes out when the ignition switch is turned off. It also goes out while the starter button is depressed.

Headlight Beam Horizontal Adjustment

- Turn the horizontal adjuster [A] on the headlight with a screwdriver in or out until the beam points straight ahead.
- Turn the adjuster clockwise to face the headlight to the left.



Headlight Beam Vertical Adjustment

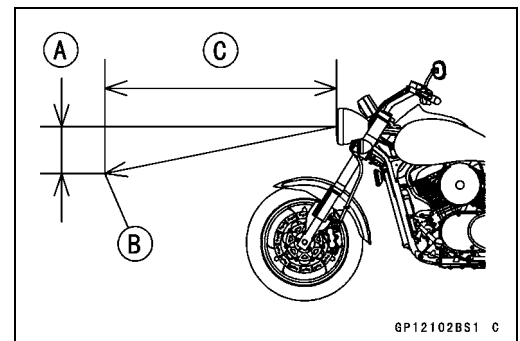
- Turn the vertical adjuster [A] in the headlight in or out with a screwdriver to adjust the headlight vertically.
- Turn the adjuster clockwise to face the headlight up.



NOTE

- ON high beam, the brightest points should be slightly below horizontal with the motorcycle on its wheels and the rider seated. Adjust the headlight to the proper angle according to local regulations.
- For United States model, the proper angle is 0.4 degrees below horizontal. This is 50 mm (2 in.) drop at 7.6 m (25 ft.) measured from the center of the headlight with the motorcycle on its wheels and the rider seated.

50 mm (2 in.) [A]
Center of Brightest Spot [B]
7.6 m (25 ft.) [C]



Headlight Bulb Replacement

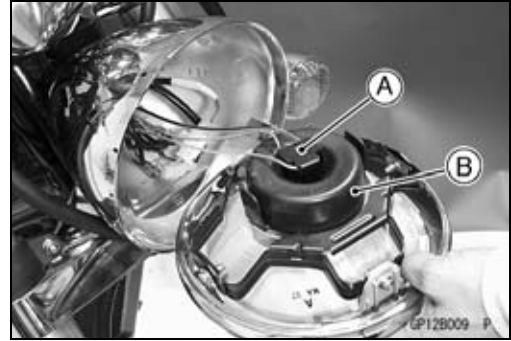
- Remove the headlight rim screws [A] on both sides.



16-56 ELECTRICAL SYSTEM

Lighting System

- Pull the headlight unit and drop it out.
- Pull the headlight connector [A].
- Remove the headlight dust cover [B].



- Push the hook [A] to unlock.



- Take out the bulb [A].

CAUTION

When handling the quartz-halogen bulb, never touch the glass portion with bare hands. Always use a clean cloth. Oil contamination from hands or dirty rags can reduce bulb life or cause the bulb to explode.

- Clean off any contamination that inadvertently gets on the bulb with alcohol or a soap and water solution.



- Replace the headlight bulb.
- Fit the dust cover [A] with the TOP mark [B] upward onto the bulb [C] firmly as shown.

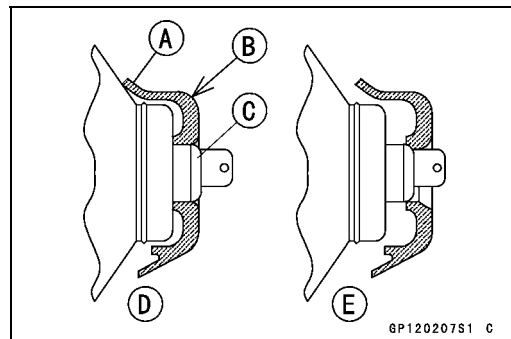
Good [D]

Bad [E]

- Tighten:

Torque - Headlight Rim Screws: 1.4 N·m (0.14 kgf·m, 12 in·lb)

- After installation, adjust the headlight aim (see this chapter).



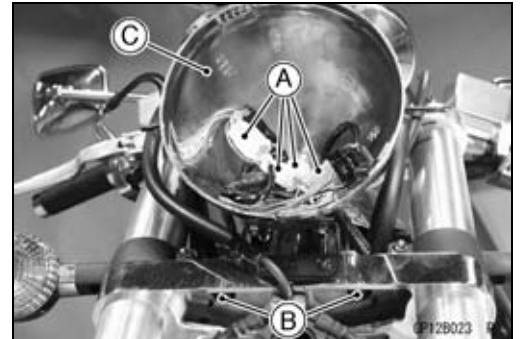
Lighting System

Headlight Body Removal

- Remove the headlight rim screws [A].
- Pull the headlight unit and drop it out.



- Disconnect the wiring connectors [A].
- Remove the headlight body nuts [B], then take off the body [C].



City Light Bulb Replacement (other than United States, Canada and Australia)

- Remove the headlight unit (see Headlight Body Removal).
- Pull out the socket [A] together with the bulb.
- Pull the bulb out of the socket (see Meter Unit Disassembly).

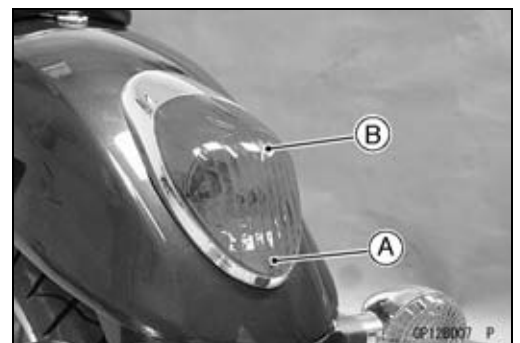


CAUTION

Do not turn the bulb. Pull the bulb out to prevent damage to the bulb. Do not use bulb rated for greater wattage than the specified value.

Tail/Brake Light Bulb Replacement

- Unscrew the screws [A] in the taillight lens.
- Pull the lens [B] off.



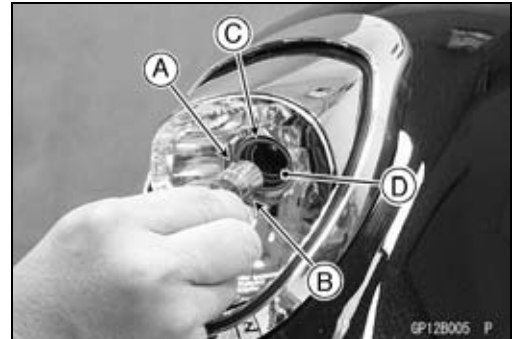
16-58 ELECTRICAL SYSTEM

Lighting System

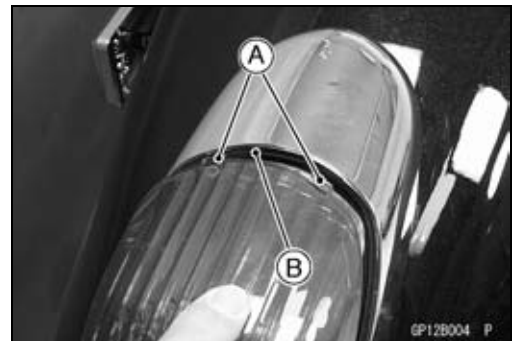
- Push the bulb in [A], turn it counterclockwise [B], and pull it out.
- Replace the bulb with a new one.



- With the front pin [A] up and the rear pin [B] down, insert the new bulb by aligning the front pin with the left groove [C] in the walls of the socket [D].
- Push the bulb in, turn it clockwise, and release it. It should lock in position.

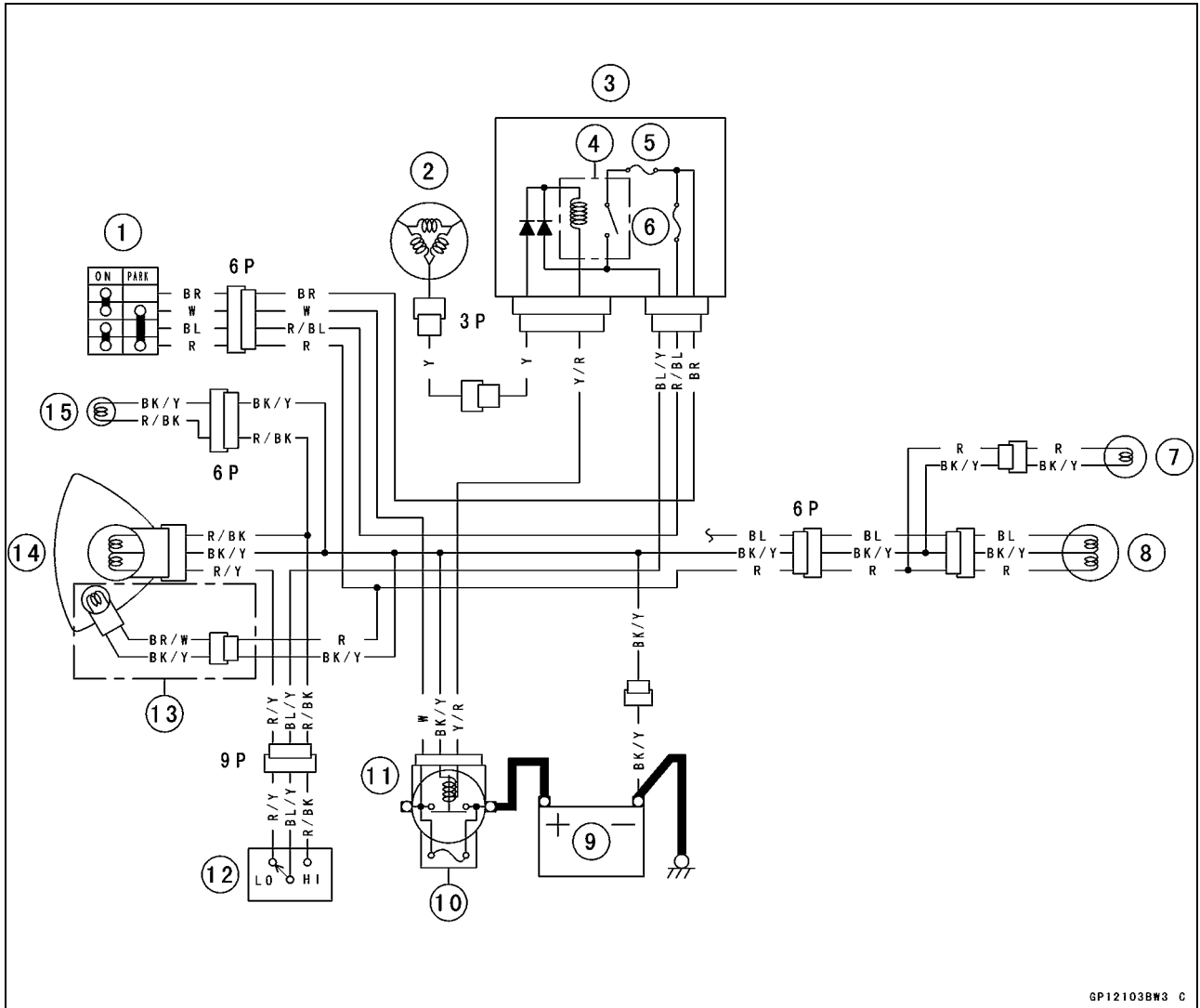


- Put the hooks [A] to the edge [B] of the tail/brake light cover.
- Tighten the lens screws. Be careful not to overtighten them.



Lighting System

Headlight/Tail Light Circuit



1. Ignition Switch
2. Alternator
3. Junction Box
4. Headlight Relay
5. Headlight Fuse 10 A
6. Taillight Fuse 10 A
7. License Plate Light
8. Tail/Brake Light
9. Sealed Battery 12 V 18 Ah
10. Main Fuse 30 A
11. Starter Relay
12. Dimmer Switch
13. City Light (Other than United States of America, Canada and Australia)
14. Headlight
15. High Bean Indicator Light

16-60 ELECTRICAL SYSTEM

Automatic Turn Signal Canceling System

Automobiles use a turn signal canceling system actuated by steering wheel turn. But, motorcycles turn with a bank additionally, and so have a smaller steer angle. This makes difficult to adopt an automobile type turn signal canceling system because of inaccurate operation in motorcycles. So, motorcycles adopt time & distance counting system.

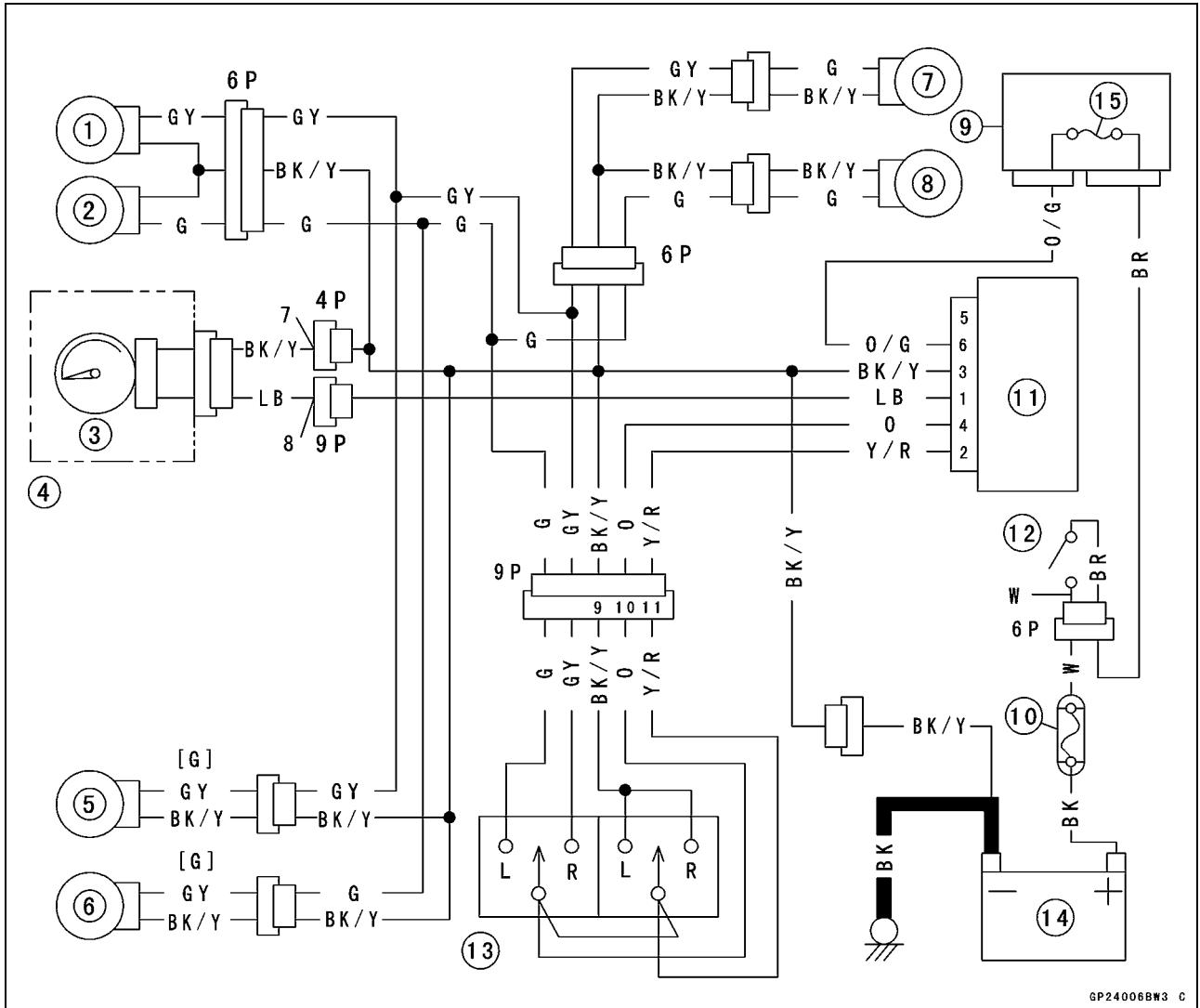
The canceling system consists of a battery, turn signal control relay, distance sensor, and turn signal switch. When the turn signal switch is pushed onto the right or left, the turn signals start flashing and the control relay starts counting off **8 seconds**. At the end of this time, the control relay starts calculating distance traveled using pulses from the distance sensor in the speedometer. The control relay keeps working even after the turn signal switch was released and returned to the neutral position by spring force. When the motorcycle has traveled an additional **65 meters (213 feet)**, the control relay shuts off the current, turns off the turn signal lights, and resets itself.

★ If the turn signal canceling system does not function properly, first check all the wiring connections carefully.

- Secondly, inspect the distance sensor.
- Thirdly, inspect the turn signal switch in the left handlebar switch.
- Lastly, check the turn signal control relay.

Automatic Turn Signal Canceling System

Turn Signal Canceling System



[]: Other Than Canada and United States of America

1. Right Turn Signal Indicator Light
2. Left Turn Signal Indicator Light
3. Distance Sensor
4. Meter Unit
5. Front Right Turn Signal Light
6. Front Left Turn Signal Light
7. Rear Right Turn Signal Light
8. Rear Left Turn Signal Light
9. Junction Box
10. Main Fuse 30 A in Starter Relay
11. Turn Signal Control Relay
12. Ignition Switch
13. Turn Signal Switch
14. Sealed Battery 12 V 18 Ah
15. Turn Signal Control Relay Fuse 10 A

16-62 ELECTRICAL SYSTEM

Automatic Turn Signal Canceling System

Wiring Inspection

- Connect all the connectors.
- Remove the right side cover (see Frame chapter).
- Remove the coolant reserve tank bolts and hanging the reserve tank.
- Remove the turn signal control relay [A].
- Pull off the 6-pin connector of the unit, the 9-pin and 4-pin meter connectors in the headlight housing, and the 9-pin left handlebar switch connector under the fuel tank.
- Make sure all connector terminals are clean and tight, and none of them have been bent.
- Clean the dirty terminals, and straighten slightly-bent terminals.
- Check conductivity or voltage of the numbered terminals with the hand tester.
- The terminal numbers are shown in the wiring diagram of Turn Signal Canceling System.

Special Tool - Hand Tester: 57001-1394

Wiring Inspection

Connectors	Tester Connection	Tester Reading
Turn Signal Control Relay ↔ Distance Sensor	1-8 3-7	0 Ω
Turn Signal Control Relay ↔ Left Handlebar Switch	2-11 3-9 4-10	
Turn Signal Control Relay ↔ Battery	6- Battery (+)	Battery Voltage with IG. Switch ON 0 V with IG. Switch OFF

IG. Switch: Ignition Switch

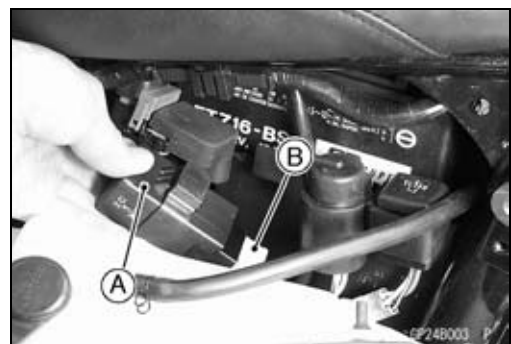
- ★ If any one of the hand tester readings shows an improper values, check the wiring and connections of the turn signal switch, distance sensor, and turn signal control relay. Check the turn signal control unit (see Turn Signal Control Relay Inspection) if all of them turn out good.

Distance Sensor Inspection

- Remove the right side cover (see Frame chapter).
- Remove the turn signal control relay [A].
- Do not disconnect the connector [B].
- Use the jack and the attachment jack to lift the rear wheel.

Special Tools - Jack: 57001-1238

Attachment Jack: 57001-1398



Automatic Turn Signal Canceling System

- Set the hand tester to the DC25 V range and connect it to the LB wire terminal [A] and battery (-) terminal [B] as shown.

Connections

Hand Tester (+) → LB Wire Terminal

Hand Tester (-) → Battery (-) Terminal

- Remove all the spark plugs and shift the gear into 1st.
- Turn the rear wheel slowly to see that the tester's pointer fluctuates repeated by reading 0.5 V and 12 V.
- ★ If the tester's pointer fluctuates, distance sensor is normal.
- ★ If the tester's pointer does not fluctuate, inspect the speed sensor and turn signal control relay. If the speed sensor and control relay are good, replace the digital meter assembly.



Turn Signal Switch Inspection

- Remove the fuel tank (see Fuel System chapter).
- Unplug the 9-pin connectors that leads to the left handlebar switch.
- Check the turn signal switch connections according to the table.
- ★ If the switch has an open circuit or a short, it can be disassembled for repair. The contact surfaces may be cleaned, but no internal parts are available for replacement.
- ★ If any parts are not repairable, the left handlebar switch must be replaced as a unit.

Turn Signal Switch Connections

Color	G	O	GY	BK/Y	Y/R
L (left)	●	●		●	●
OFF (push)					
R (right)		●	●	●	●

16-64 ELECTRICAL SYSTEM

Automatic Turn Signal Canceling System

Turn Signal Control Relay Inspection

CAUTION

Never drop the turn signal control relay, especially on a hard surface. Such a shock to the unit can damage it.

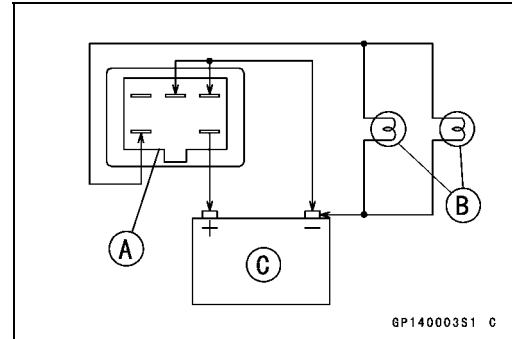
- Remove the right side cover (see Frame chapter).
- Connect one 12 V battery and turn signal lights as indicated in the figure, and count how many times the lights flash for one minute.

Turn Signal Control Relay Connector [A]

Turn Signal Lights [B]

12 V Battery [C]

- ★ If the lights do not flash as specified, replace the turn signal control unit.



Testing Turn Signal Control Relay Inspection

Load		Flashing Times (c/m*)
The Number of Turn Signal Lights	Wattage (W)	
1**	21 ~ 23	140 ~ 250
2	42 ~ 46	75 ~ 95

(*): Cycle(s) per minute

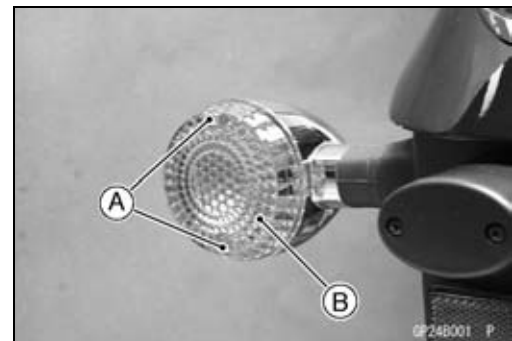
(**): corresponds to "one light burned out, and the other lights stay ON".

NOTE

○ Even if the foregoing checks show the turn signal control relay to be good, it may be defective in some manner especially for automatic turn signal canceling operation not readily detectable with above checks. If all other checks are good, replace the turn signal control relay.

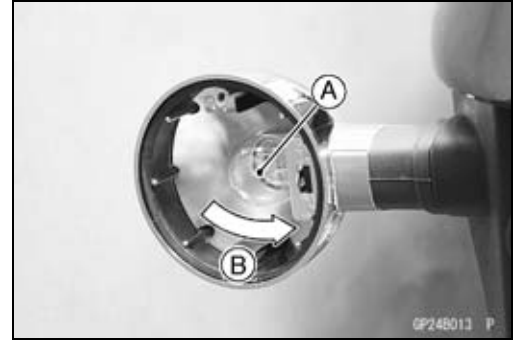
Turn Signal Light Bulb Replacement

- Remove the turn signal light lens screws [A] and take off the lens [B].

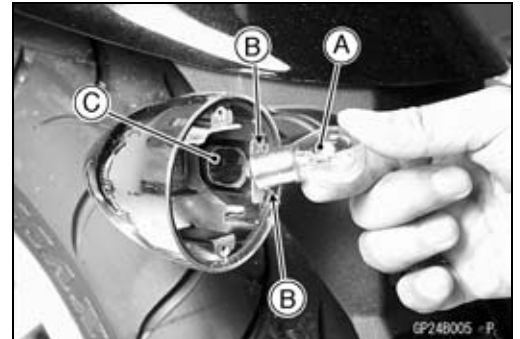


Automatic Turn Signal Canceling System

- Push the bulb [A] in the socket and turn the bulb counter-clockwise [B].
- Replace the bulb.



- Insert the new bulb [A] by aligning the pins [B] with the groove in the walls of the socket [C].



16-66 ELECTRICAL SYSTEM

Radiator Fan System

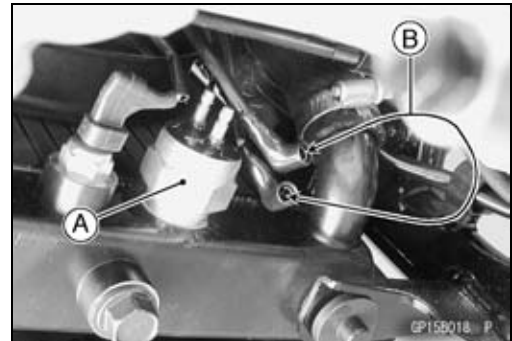
⚠ WARNING

The radiator fan is connected directly to the battery. The fan may start even if the ignition switch is off. **NEVER TOUCH THE RADIATOR FAN UNTIL THE RADIATOR FAN CONNECTOR IS DISCONNECTED. TOUCHING THE FAN BEFORE THE CONNECTOR IS DISCONNECTED COULD CAUSE INJURY FROM THE FAN BLADES.**

Fan System Circuit Inspection

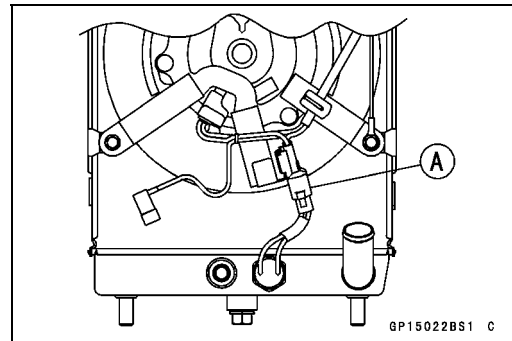
E/G No.: ~ VNT60AE010702

- Disconnect the wires from the radiator fan switch [A].
- Using an auxiliary wire [B], connect the radiator fan switch wires.

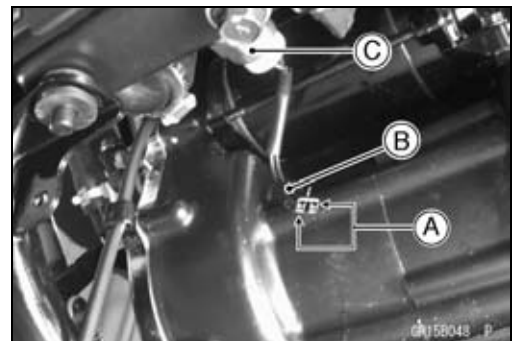


E/G No.: VNT60AE010703 ~

- Disconnect the radiator fan switch connector [A].



- Using an auxiliary lead [A], connect the radiator fan switch connector [B].
Radiator Fan Switch [C]



- ★ If the fan rotates, inspect the fan switch.
- ★ If the fan does not rotate, inspect the following.
 - Wires and Connectors
 - Main Fuse and Fan Fuse
 - Fan Motor

Radiator Fan System

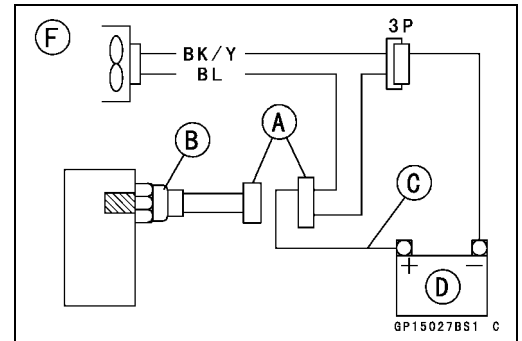
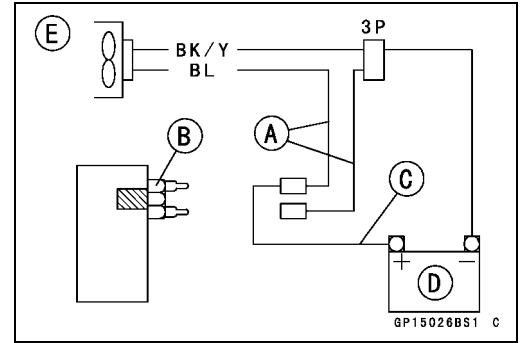
Fan Motor Inspection

- Disconnect the wires (E/G No.: ~ VNT60AE010702) or connector (E/G No.: VNT60AE010703 ~) [A] from the radiator fan switch [B].
- Using an auxiliary wire [C], supply battery power to the fan motor.
- ★ If the fan does not rotate, the fan motor is defective and must be replaced.

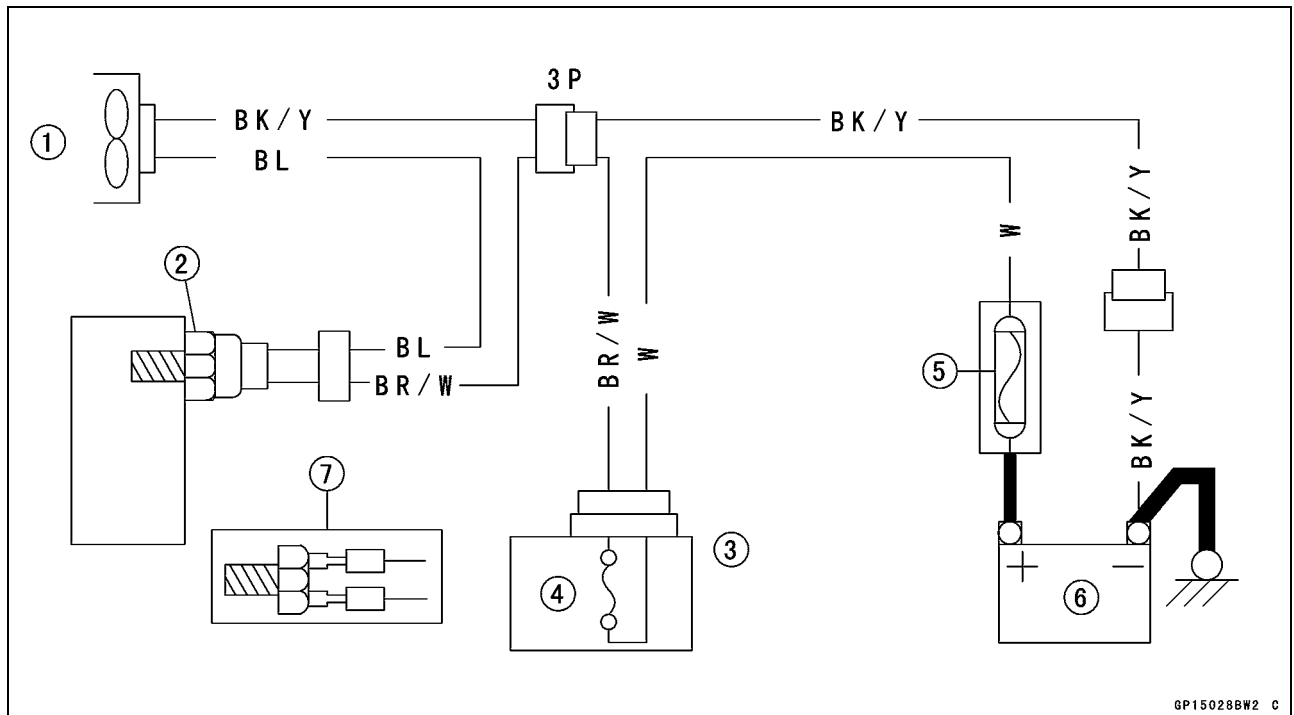
Battery [D]

E/G No.: ~ VNT60AE010702 [E]

E/G No.: VNT60AE010703 ~ [F]



Radiator Fan Circuit



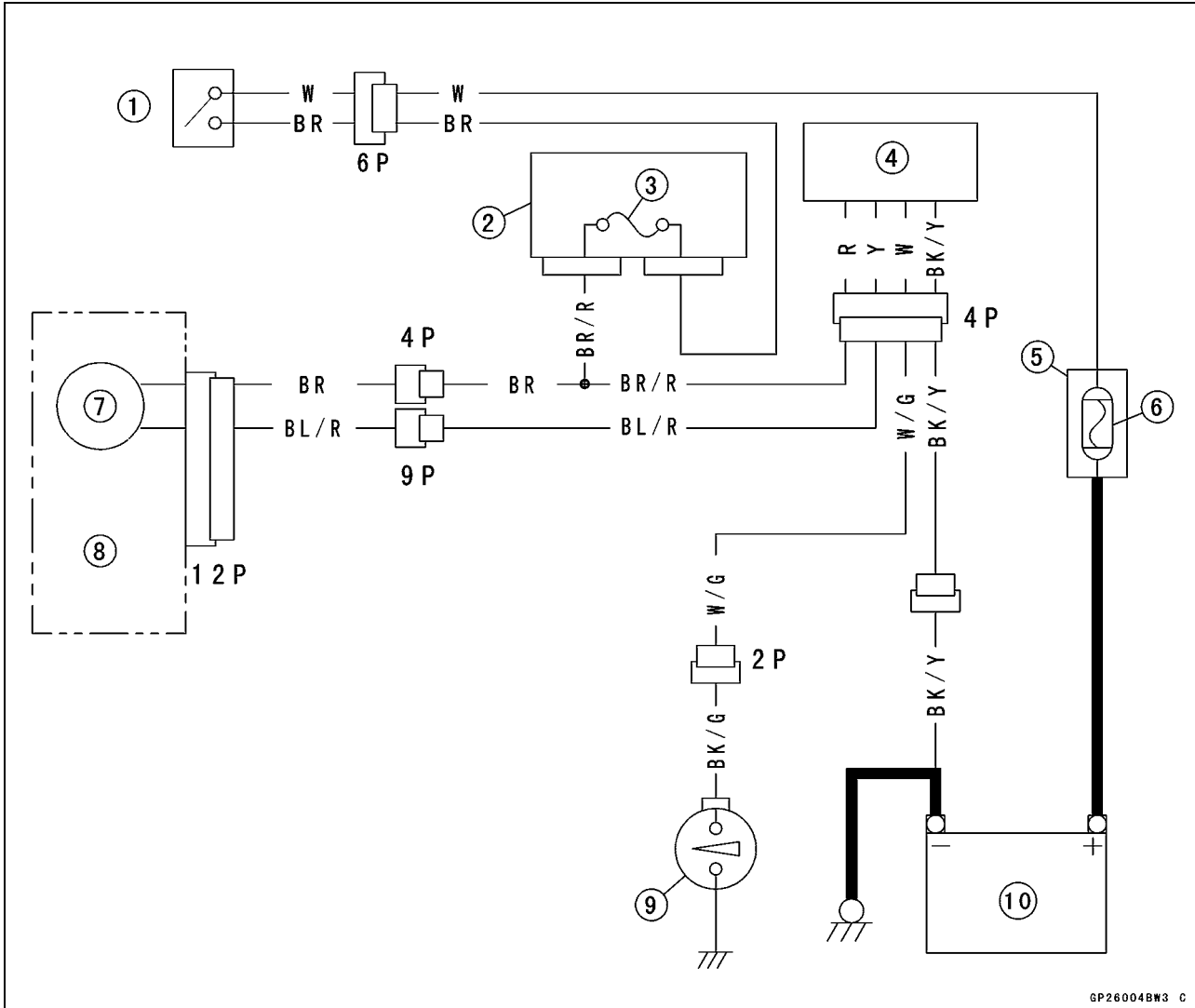
1. Radiator Fan
2. Radiator Fan Switch
3. Junction Box
4. Fan Fuse 15 A
5. Main Fuse 30 A
6. Sealed Battery 12 V 18 Ah
7. E/G No.: ~ VNT60AE010702

16-68 ELECTRICAL SYSTEM

Oil Pressure Warning System

Motorcycle operation with low engine oil level, even if it is higher than the lower level line, will cause oil level change when sudden acceleration, or deceleration, and may lead flicker of the oil pressure warning light because of too rapid response of the oil pressure switch. To improve this operation, the oil pressure light delay unit is adopted, which prevents flicker of the oil pressure warning light by delaying its lighting.

Oil Pressure Warning System



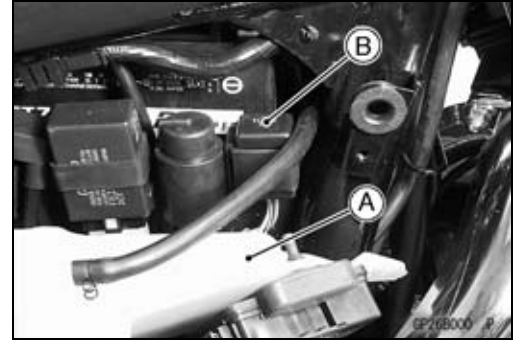
GP26004BN3 C

1. Ignition Switch
2. Junction Box
3. Ignition Fuse 10 A
4. Oil Pressure Light Delay Unit
5. Starter Relay
6. Main Fuse 30 A
7. Oil Pressure Warning LED Light
8. Meter Unit
9. Oil Pressure Switch
10. Sealed Battery 12 V 18 Ah

Oil Pressure Warning System

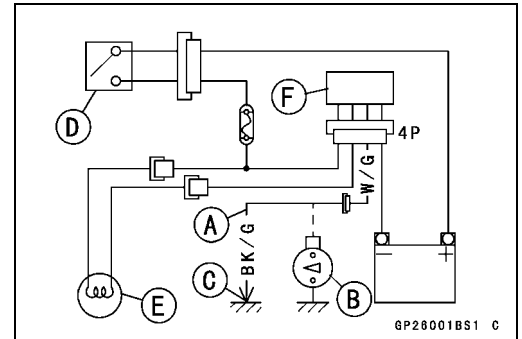
Oil Pressure Light Delay Unit Removal

- Remove the right side cover (see Frame chapter).
- Remove the coolant reserve tank bolts and hanging the reserve tank [A].
- Pull the connectors out of the oil pressure light delay unit [B].



Oil Pressure Light Delay Unit Inspection

- Disconnect the wire [A] of the oil pressure switch [B] and ground [C] it to the engine, using an auxiliary wire.
- Turn the ignition switch [D] ON.
- ★ If the oil pressure warning LED light [E] is lit, replace the oil pressure switch.
- ★ If the warning LED light is not lit, check the warning LED light bulb and wiring (see Meter Unit Inspection).
- ★ If the LED light and wiring are good, replace the oil pressure light delay unit [F].



- Turn the ignition switch ON.
- Ground the oil pressure switch wire to the engine, then the oil pressure warning LED light should be lit with a delay.
- Measure this delay time from grounding of the switch wire to lighting of the warning LED light.

Lighting Delay Time

Standard: about 3 seconds

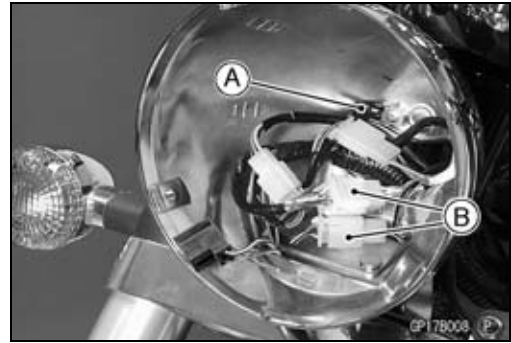
- ★ If the lighting delay time is out of the standard too far, replace the oil pressure light delay unit.

16-70 ELECTRICAL SYSTEM

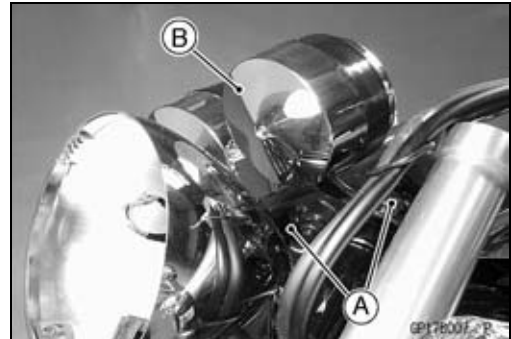
Meter, Gauge

Meter Unit Removal

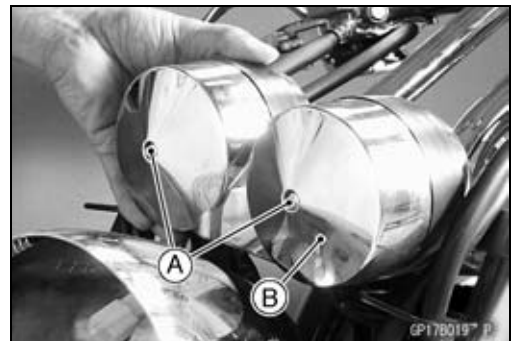
- Remove the headlight unit (see Headlight Body Removal).
- Open the clamp [A] and disconnect the meter connectors [B].



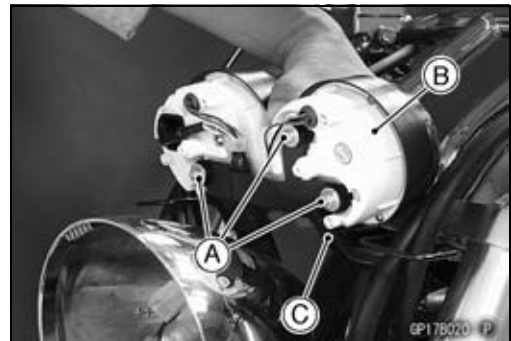
- Unscrew the bolts [A] and take the meter unit [B].



- Unscrew the screws [A] and remove the meter cover [B] from the meter unit.



- Unscrew the nuts [A] and remove the meter unit [B] from the meter bracket [C].

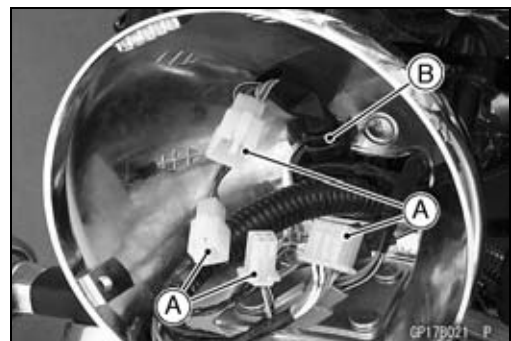


CAUTION

Never drop the meter unit, especially on a hard surface. Such a shock to the unit can damage it. Place the meter assembly so that the face is up. If the meter is left upside down or sideways for any length of time, it will malfunction.

Meter Unit Installation

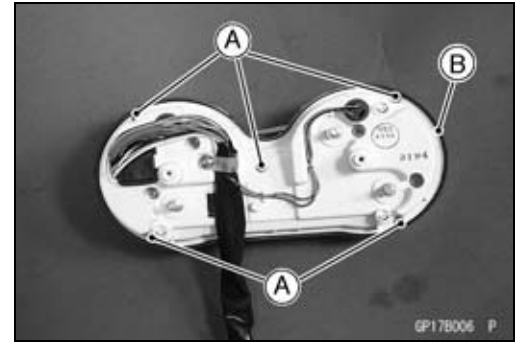
- Connect the connectors [A] and hold the leads with clamp [B].



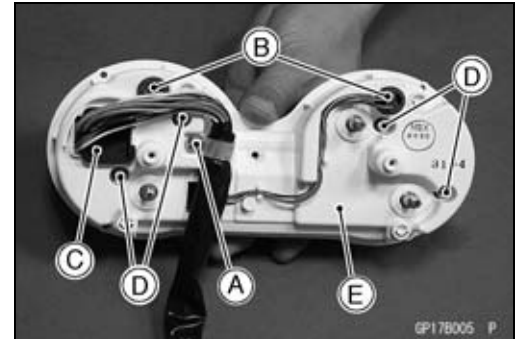
Meter, Gauge

Meter Unit Disassemble

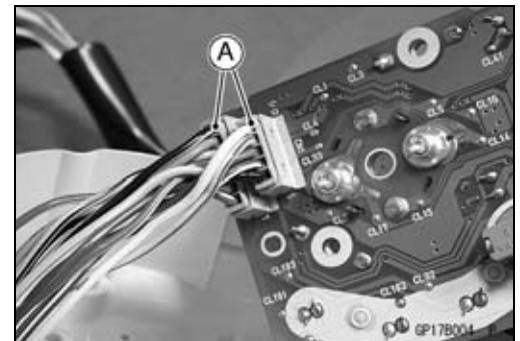
- Remove the meter unit (see this chapter).
- Remove:
 - Screws [A]
- Separate the upper meter cover [B].



- Remove the screw [A], meter light sockets [B] and rubber lid [C].
- Remove the screws [D] on the lower cover [E] to free the digital meter assembly.



- Disconnect the meter harness connectors [A].



- Turn out the fuel level indicator light socket [A] counter-clockwise.

NOTE

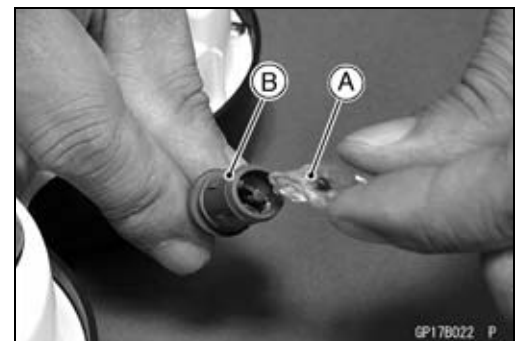
○ The water temperature warning LED light, oil pressure warning LED light and FI indicator LED light can not be exchanged.



- Remove the wedge-base type bulb [A], pull the bulb straight out of the socket [B].

CAUTION

Do not turn the bulb. Pull the bulb out to prevent damage to the bulb. Do not use bulb rated for greater wattage than the specified value.

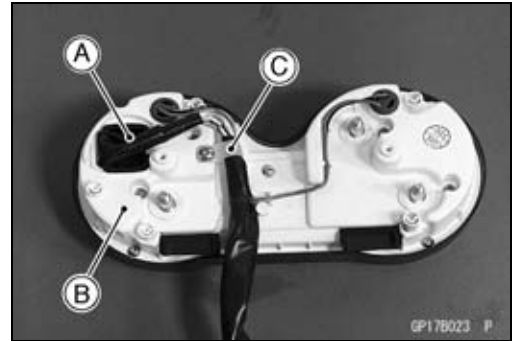


16-72 ELECTRICAL SYSTEM

Meter, Gauge

Meter Unit Assembly

- Connect the connectors of the meter harness.
- Put on the rubber lid [A] on the lower cover [B].
- Tighten the screw together with the harness clamp [C] as shown.



Meter Unit Inspection

Mode Select and Reset Button Checks

- When the ignition switch is turned ON, all the LCD segments (the letters and numbers of the liquid crystal display) [A] appear for 3 seconds on the meter.
- ★ If they do not appear, check the LCD segments.



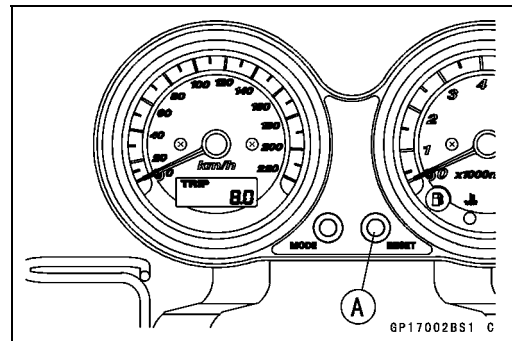
- Check that the display [B] changes to the ODO, TRIP, and CLOCK displays each time the mode select button [A] is pushed.



- If the display doesn't change in the order specified, replace the digital meter assembly.



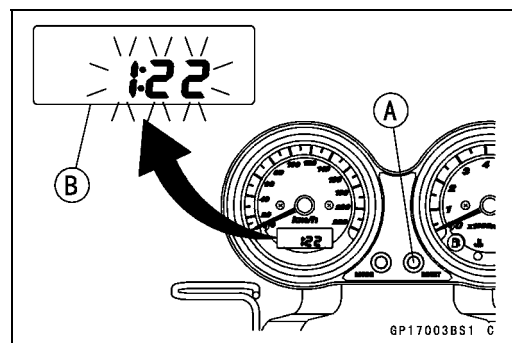
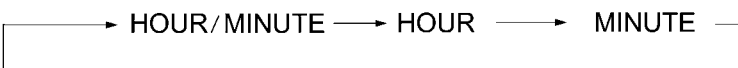
- Push the mode select button to TRIP and push the reset button [A] more than 2 seconds. The display shows "0.0".
- ★ If the display doesn't show "0.0", replace the digital meter assembly.



- Push the mode select button to CLOCK.
- Push the reset button [A] more than 2 seconds enables the display to assume the HOUR/MINUTE setting mode [B].

○ In the HOUR/MINUTE setting mode, the numbers flashes on the display.

- Check that the flashing number changes to the HOUR/MINUTE, HOUR and MINUTE displays each time the reset button is pushed.

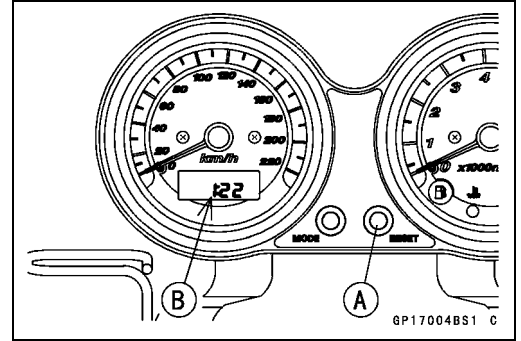


- Check that the time can be set in this mode.
- ★ If the time cannot be set, replace the digital meter assembly.

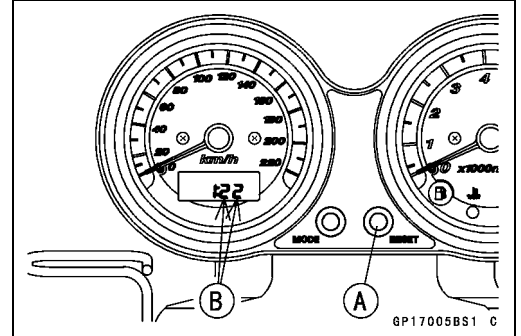
Meter, Gauge

Clock Setting

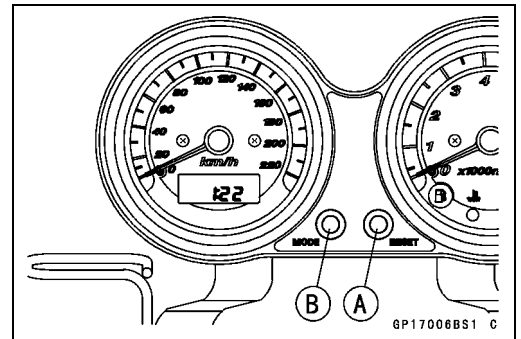
- In the HOUR/MINUTE setting mode, push the reset button [A] again to effect the HOUR setting mode.
- The hour display flashes [B] on the display.
- Push the mode select button to set the hour.



- In the HOUR setting mode, push the reset button [A] once to effect the MINUTE setting mode.
- The minute display flashes [B] on the display.
- Push the mode select button to set the minute.

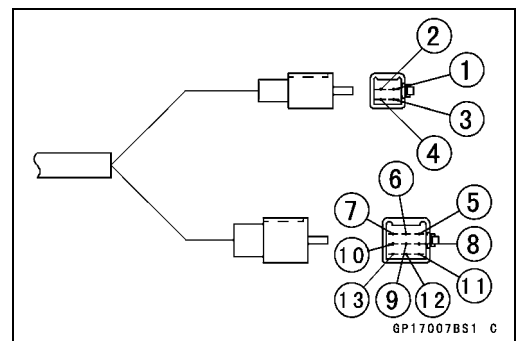
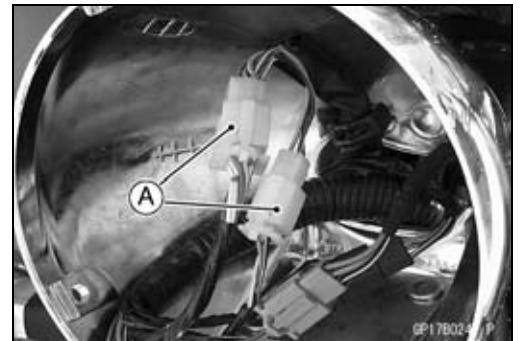


- Set the minute, push the reset button [A] to return to the HOUR/MINUTE setting mode.
- Push the mode select button [B] to complete the time setting process.
- The clock starts counting the seconds as soon as the mode select button is pushed.



LCD Segment Inspection

- Disconnect the meter harness connectors [A] in the headlight body (see Headlight Body Removal).
 - [1] FI Indicator, water temperature warning, Oil pressure warning LED Lights, fuel level indicator light, Speedometer and Tachometer (+)
 - [2] Unused
 - [3] Speedometer, Tachometer Lights, Speedometer and Tachometer (-)
 - [4] Tachometer Pulse
 - [5] Speedometer and Tachometer Lights (+)
 - [6] Water Temperature Warning LED Light (-)
 - [7] Battery (+)
 - [8] Distance Sensor Pulse
 - [9] FI Indicator LED Light (-)
 - [10] Oil Pressure Warning LED Lights (-)
 - [11] Speed Sensor Signal
 - [12] Speed Sensor Supply Voltage
 - [13] Fuel Reserve Switch Signal



CAUTION

Do not short each terminals. When inspecting the meter unit be sure to connect each connections.

16-74 ELECTRICAL SYSTEM

Meter, Gauge

- Using the auxiliary wires, connect a 12 V battery to the meter unit connector terminals.

First Connections

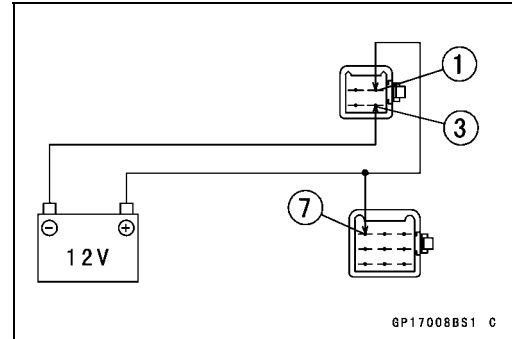
Battery Positive Terminal (+) → Terminal [7]

Battery Negative Terminal (-) → Terminal [3]

Next Connections

Battery Positive Terminal (+) → Terminal [1]

- Verify that all the LCD segments (the letters and numbers of the liquid crystal display) to appear for 3 seconds. Then the clock or meters normally depending on the mode selected.
- Check that disconnect the terminal [1] causes all the LCD segments to become unlit.
- ★ If there is any problem, replace the digital meter assembly.



Speedometer Inspection

- If an oscillator is unavailable, check the speedometer as follows.
 - Connect the meter harness connectors [A].
 - Use the jack and the attachment jack to lift the rear wheel.

Special Tools - Jack: 57001-1238

Attachment Jack: 57001-1398

- Set the hand tester to the DC 10 V range, check the voltage between the LG/R wire terminal and ground as shown.

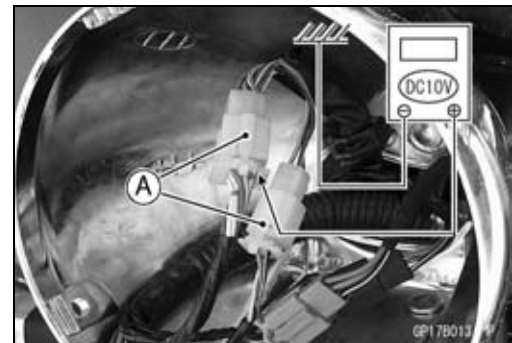
Connections

Hand Tester (+) → LG/R Wire Terminal

Hand Tester (-) → Ground

Special Tool - Hand Tester: 57001-1394

- Squeeze the clutch lever, and hold it with a band.
- Shift the gear position to the 1st position.
- Turn the ignition switch ON, and slowly rotating the rear wheel.
- At this time, the tester's pointer should swing 0 V and 5 V.
- ★ If the tester's pointer does not swing 0 V and 5 V, inspect the speed sensor.
- ★ If the tester's pointer does swing 0 V and 5 V, replace the digital meter assembly.



Meter, Gauge

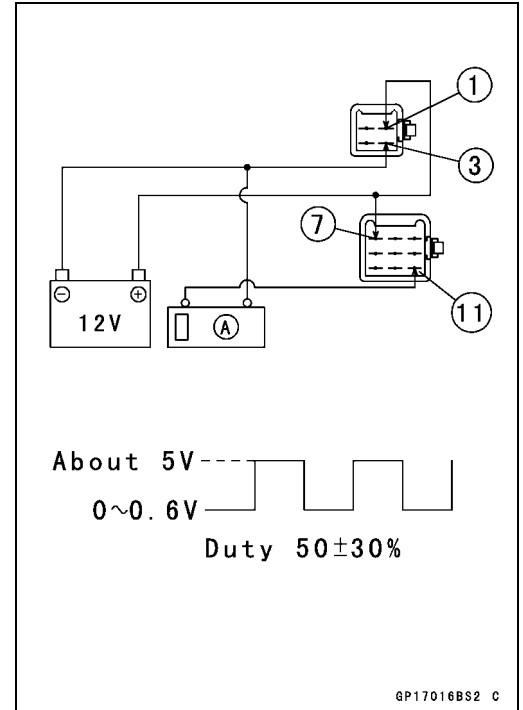
- If an oscillator is available, check the speedometer as follows.
- Connect the terminals in the same way as in the LCD segment inspection.
- Connect the oscillator [A] to the terminal [11]. The vehicle speed that corresponds to the input frequency will be displayed when a short wave form such as the one show in the diagram is input.

Example

An input frequency of 310 Hz will display about 40 km/h.

An input frequency of 247 Hz will display about 20 mph.

- ★ If the meter does not function correctly, replace the digital meter assembly.



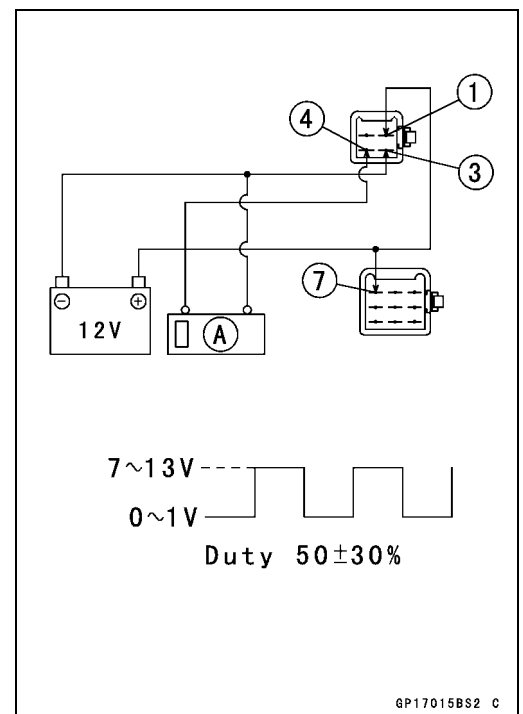
Tachometer Inspection

- If an oscillator is available, check the tachometer as follows.
- Connect the terminals in the same way as in the LCD segment inspection.
- Connect the oscillator [A] to the terminal [4]. The rpm that corresponds to the input frequency will be displayed when a short wave from such as the one show in the diagram is input.

Example

An input frequency of 200 Hz will display 6 000 rpm.

- ★ If the meter does not function correctly, replace the digital meter assembly.



Speed Sensor Power Supply Inspection

- Connect the terminals in the same way as in the LCD segment inspection.
- Set the hand tester [A] to DC25 V, check the voltage between terminal [12] and battery negative wire.

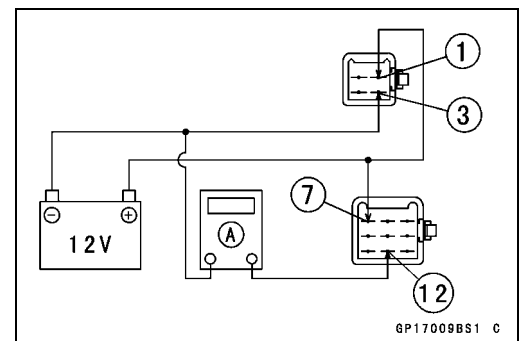
Connections

Hand Tester (+) → Terminal [12]

Hand Tester (-) → Battery Negative Wire (-)

Special Tool - Hand Tester: 57001-1394

- ★ If the voltage is less than 7 V for 10 ~ 16 V battery Voltage, replace the digital meter assembly.

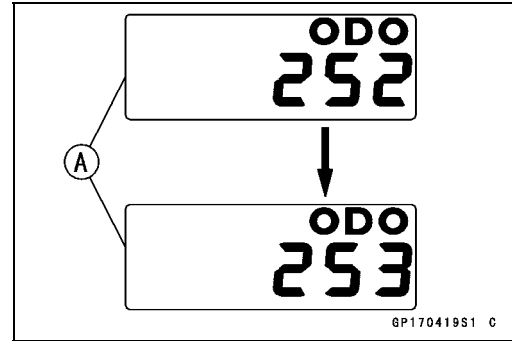


16-76 ELECTRICAL SYSTEM

Meter, Gauge

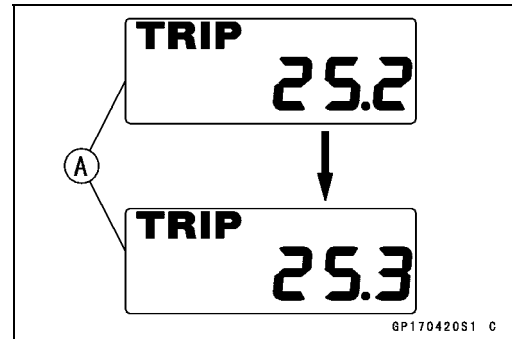
ODO Meter Inspection

- Turn the display [A] into ODO.
- During the speedometer inspection with an oscillator, verify that the digital meter reading increases.
- ★ If it does not increase, replace the digital meter assembly.



TRIP Meter Inspection

- Turn the display [A] into TRIP.
- During the speedometer inspection with an oscillator, verify that the trip meter reading increases.
- Stop the short wave form, press the reset button more than 2 seconds and check that the display shows "0.0".
- If they are any problem, replace the digimeter assembly.



Distance Sensor Inspection

- Install the meter unit (see Meter Unit Installation).
- Disconnect the connector of the speed sensor (see Speed Sensor Removal).
- Connect the oscillator [C] to the LG/R terminal [B] of the connector [A] on the main harness.

Connections

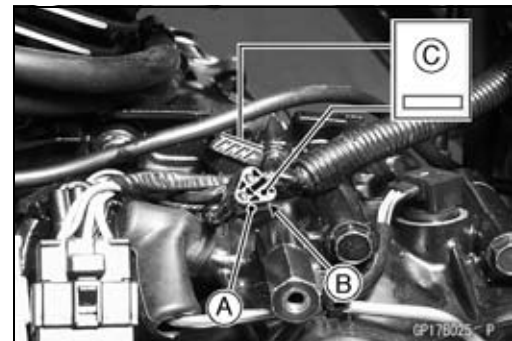
Oscillator Output → Terminal LG/R

Oscillator Ground → Ground

- Turn the ignition switch ON, and go on the turn signal switch.
- Input the input frequency in the table, measure the cancellation times.
- The cancellation time is a period between ON and automatic OFF of the turn signal switch.

Input Frequency	Cancellation Times
40 Hz	53 ±5 seconds
80 Hz	31 ±3 seconds
260 Hz	15 ±2 seconds

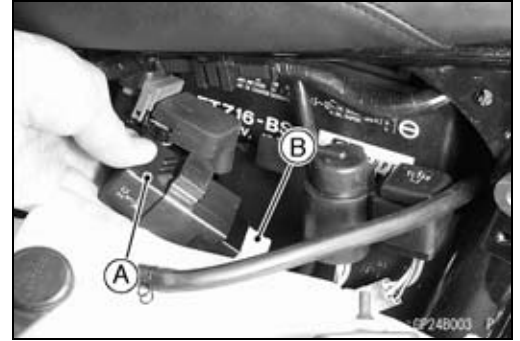
- ★ If cancellation times are within the standard, the distance sensor and turn signal control relay are normal.
- ★ If cancellation times are out of the standard, inspect the turn signal control unit. If the turn signal control relay is normal, the distance sensor is subnormal, replace the digital meter assembly.



Meter, Gauge

- If an oscillation is unavailable, check that the distance sensor as follows.
 - Remove the right side cover (see Frame chapter).
 - Remove the turn signal control relay [A], but do not disconnect the connectors [B].
 - Use the jack and the attachment jack to lift the rear wheel.

Special Tools - Jack: 57001-1238
Attachment Jack: 57001-1398



- Set the hand tester to the DC25 V range, check the voltage between the LB wire terminal [A] and the battery (-) terminal [B] as shown.

Connections

- Hand Tester (+) → LB Wire Terminal**
- Hand Tester (-) → Battery (-) Terminal**

Special Tool - Hand Tester: 57001-1394

- Squeeze the clutch lever, and hold it with a band.
- Shift the gear position to the 1st position.
- Turn the ignition switch ON, and slowly rotating the rear wheel.
- At this time, the tester's pointer should swing 0.5 V and 12 V.
- ★ If the tester's pointer does not swing 0.5 V and 12 V, inspect the speed sensor and the turn signal control relay. If they are normal, replace the digital meter assembly.



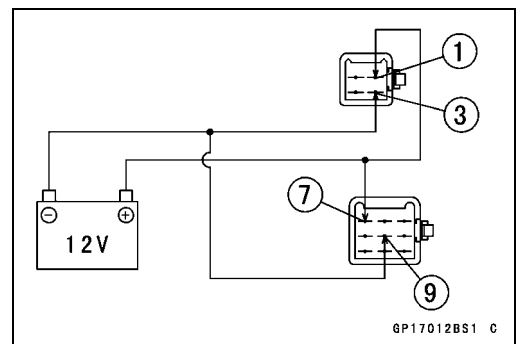
LED and Indicator Lights Inspection

- Connect the 12 V battery to the meter terminals in the same way as in the LCD segment inspection.

FI Indicator LED Light Connections

Battery Negative Wire (-) to Terminal [9]

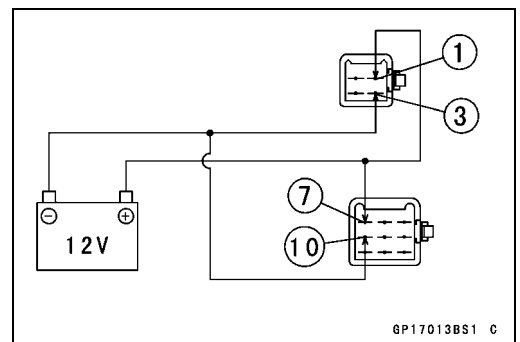
- Connect the terminal [9].
- The FI indicator LED light lights.
- Disconnect the terminal [9].
- The FI indicator LED light disappears.
- ★ If there is any problem, replace the digital meter assembly.



Oil Pressure Warning LED Light Connections

Battery Negative Wire (-) to Terminal [10]

- Connect the terminal [10].
- The oil pressure warning LED light lights.
- Disconnect the terminal [10].
- The oil pressure warning LED light disappears.
- ★ If there is any problem, replace the digital meter assembly.

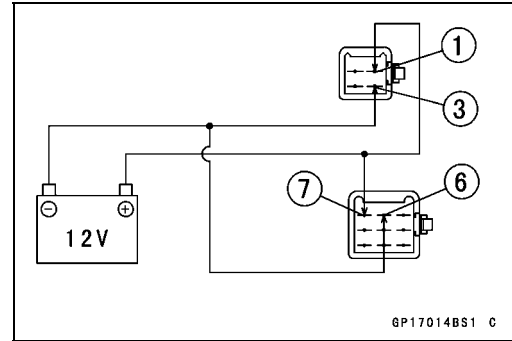


16-78 ELECTRICAL SYSTEM

Meter, Gauge

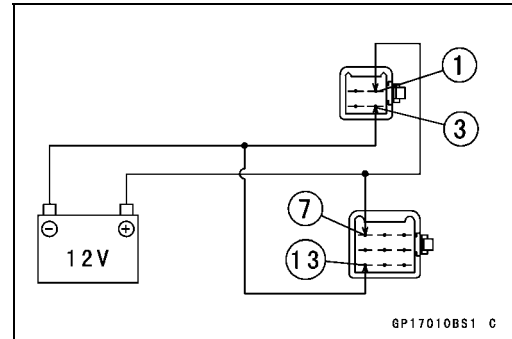
Water Temperature Warning LED Light Connections Battery Negative Wire (-) to Terminal [6]

- Connect the terminal [6].
- The water temperature warning LED light.
- Disconnect the terminal [6].
- The water temperature warning LED light disappears.
- ★ If there is any problem, replace the digital meter assembly.



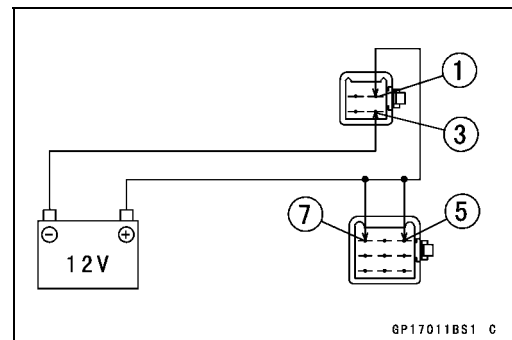
Fuel Level Indicator Light Connections Battery Negative Wire (-) to Terminal [13]

- Connect the terminal [13].
- The fuel level warning light lights.
- Disconnect the terminal [13].
- The fuel level warning light disappears.
- ★ If there is any problem, inspect the bulb and bulb socket.
- ★ If they are normal, replace the digital meter assembly.



Speedometer, Tachometer Lights Connections Battery Positive Wire (+) to Terminal [5]

- Connect the terminal [5].
- The speedometer and tachometer lights.
- Disconnect the terminal [5].
- The speedometer and tachometer light disappears.
- ★ If there is any problem, replace the bulb or meter harness.



Indicator Panel Bulb Replacement

- Remove the indicator panel bolt [A]
- Raise [B] the rear of the panel and pull the panel backward [C].

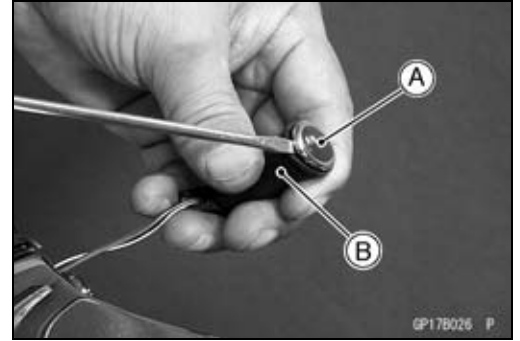


- Disconnect the indicator light connector [A].



Meter, Gauge

- Pull out the indicator light socket [B] backward and then pull out the lens [A] from the socket .

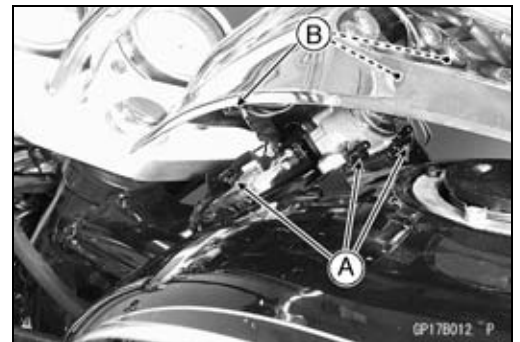
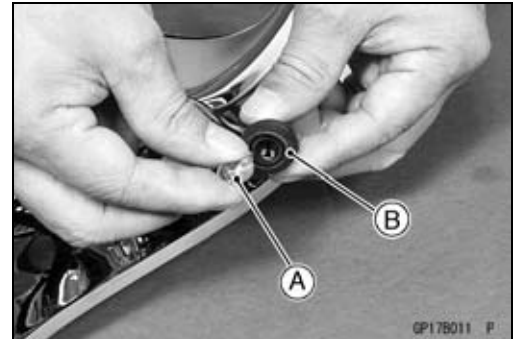


- Turn over the socket rubber.
- Remove the wedge-base type bulb [A], pull the bulb straight out of the socket [B].

CAUTION

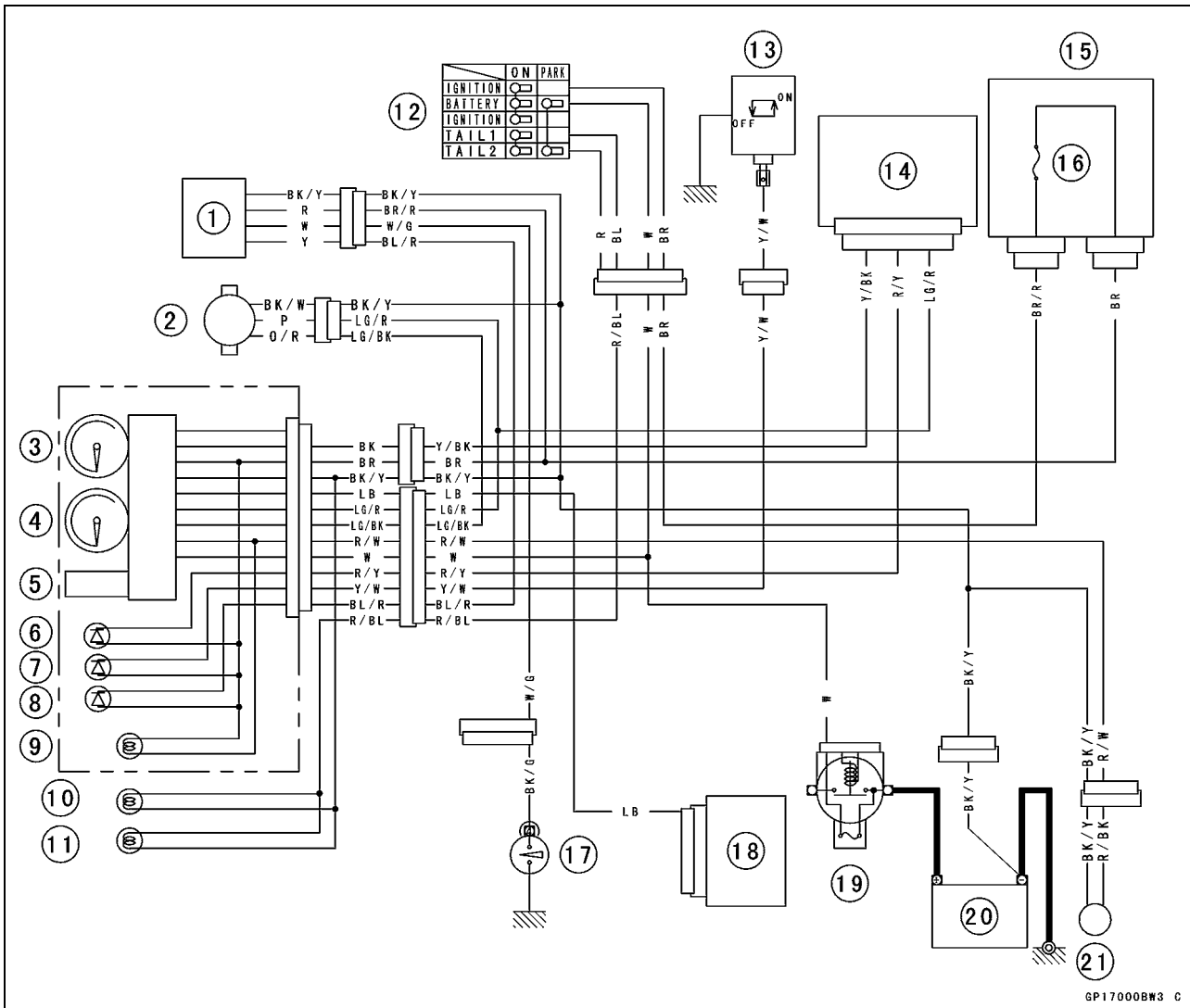
Do not turn the bulb. Pull the bulb out to prevent damage to the bulb. Do not use bulb rated for greater wattage than the specified value.

- Replace the bulb, and insert the lens to the socket.
- Install the socket into the indicator panel.
- Put the stoppers [A] into the grommets [B].
- Tighten the bolt.



16-80 ELECTRICAL SYSTEM

Meter, Gauge



GP17000B3 C

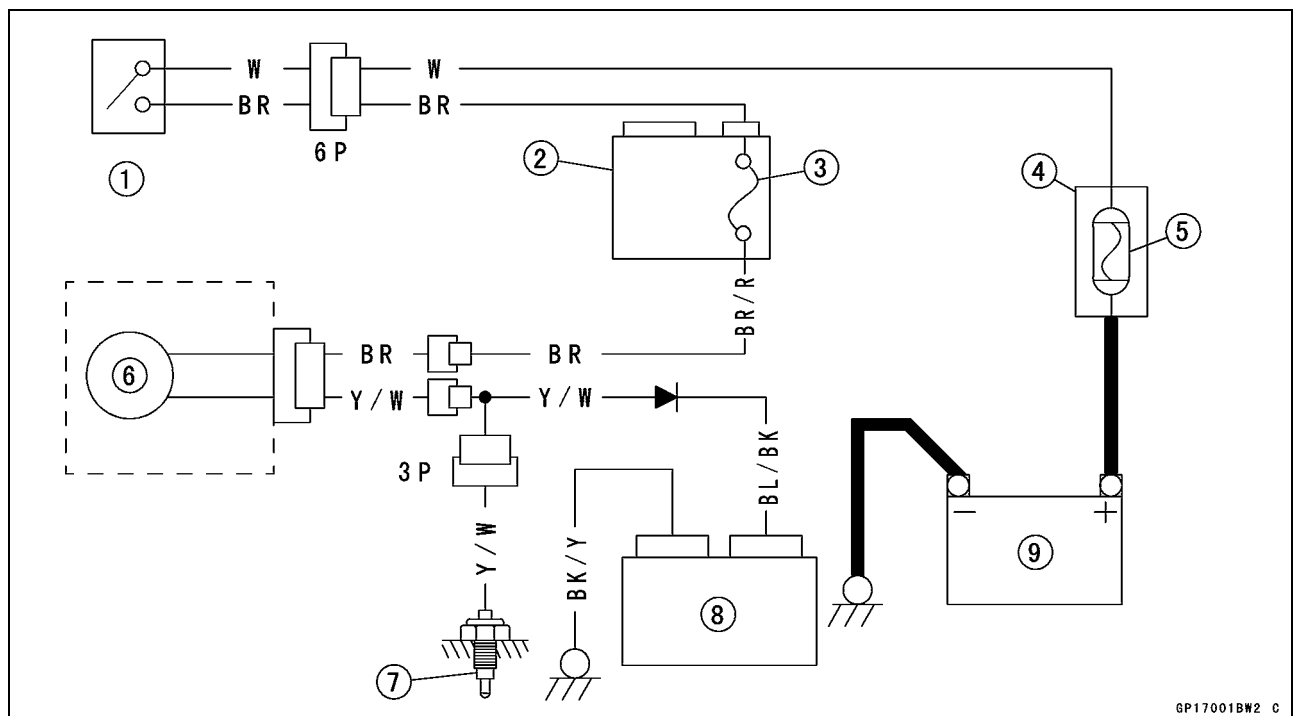
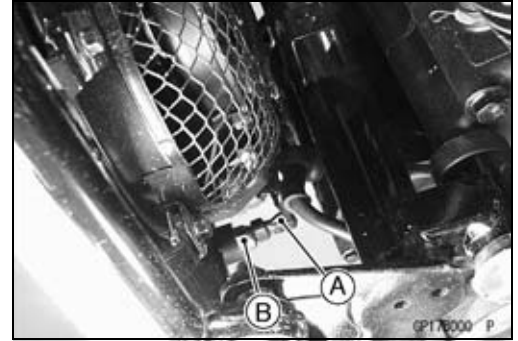
1. Oil Pressure Warning Light Delay Unit
2. Speed Sensor
3. Speedometer
4. Tachometer
5. Odo/Trip/Clock Indicator
6. FI Indicator LED Light
7. Water Temperature Warning LED Light
8. Oil Pressure Warning LED Light
9. Fuel Level Indicator Light
10. Speedometer Light
11. Tachometer Light
12. Ignition Switch
13. Water Temperature Switch
14. E.C.U. (Electronic Control Unit)
15. Junction Box
16. Ignition Fuse 10 A
17. Oil Pressure Switch
18. Turn Signal Control Relay
19. Main Fuse 30 A
20. Sealed Battery 12 V 18 Ah
21. Fuel Reserve Switch

Water Temperature Warning System

Water Temperature Warning System Check

The water temperature warning LED light goes on when the ignition switch is turned on and goes off soon to ensure that its circuit functions properly and the warning LED light has not burned out. The warning LED light also goes on whenever the coolant temperature rises to **113 ~ 117° (235 ~ 243°F)** when the motorcycle is in operation. If it stays on, stop the engine and check the coolant level in the reserve tank after the engine cools down.

- Inspect the water temperature warning LED light and the system wiring.
- Turn on the ignition switch.
- Disconnect the water temperature switch wire [A], then ground it to the frame or engine using an auxiliary wire.
- ★ If the water temperature warning LED light is lit, inspect the water temperature switch [B] (see Switches and Sensors section). Replace the switch if damaged.
- ★ If the warning LED light is not lit, check the warning LED light and wiring.



1. Ignition Switch
2. Junction Box
3. Ignition Fuse 10 A
4. Starter Relay
5. Main Fuse 30 A
6. Water Temperature Warning LED Light
7. Water Temperature Switch
8. ECU
9. Sealed Battery 12 V 18 Ah

16-82 ELECTRICAL SYSTEM

Switch and Sensors

Fuel Reserve Switch Inspection

- Fill the fuel tank with fuel.
- Close the fuel tank cap surely.
- Remove:
 - Seat (see Frame chapter)
 - Fuel Pump Connector (see Fuel System chapter)
- Connect the test light (12 V 3.4 W bulb a socket with wires) [B] and 12 V battery and the 12 V battery [A] to the fuel pump connector [C].

Connections

- Battery (+) → 12 V 3.4 W Bulb (one side)
- 12 V 3.4 W Bulb (other side) → R/BK Wire Terminal
- Battery (-) → BK/Y Wire Terminal

- ★ If the test light turn on, the reserve switch is defective. Replace it.

- Remove:
 - Fuel Pump (see Fuel System chapter)
- Connect the test light (12 V 3.4 W bulb in a socket with wires) and the 12 V battery to the fuel pump connector as shown.
 - 12 V Battery [A]
 - Test Light [B]
 - Fuel Pump Connector [C]
 - Fuel Reserve Switch [D]
- ★ If the test light doesn't light, replace the fuel pump.

NOTE

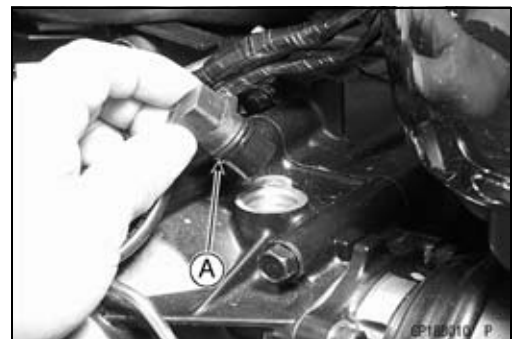
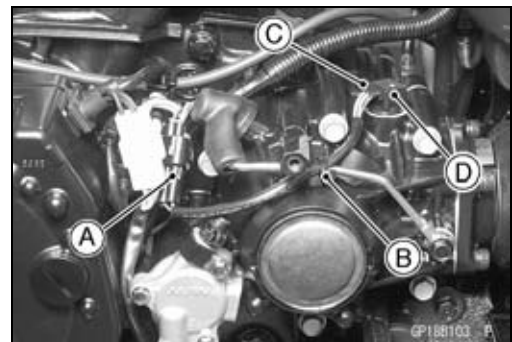
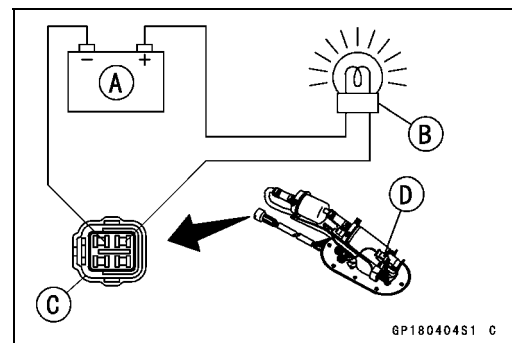
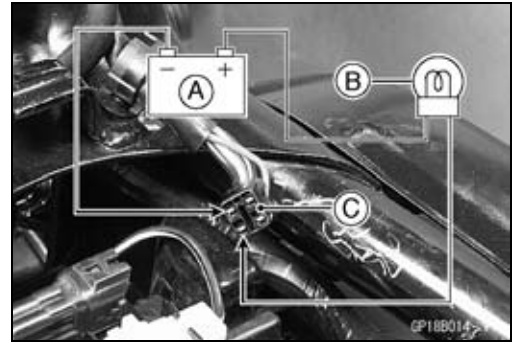
- It may take a long time to turn on the test light in case that the fuel reserve switch is inspected just after the fuel pump is removed.
- Leave the fuel reserve switch with leads for inspection connected for one (1) minute.

Speed Sensor Removal

- Remove:
 - Alternator Outer Cover (see this chapter)
 - Speed Sensor Lead Connector [A]
 - Band [B]
 - Bolt [C]
 - Speed Sensor [D]

Speed Sensor Installation

- Apply grease to the O-ring [A] on the speed sensor.
- Apply:
 - Non-permanent Locking Agent -
Speed Sensor Mounting Bolt
- Tighten:
 - Torque - Speed Sensor Mounting Bolt: 9.8 N·m (1.0 kgf·m, 87 in·lb)

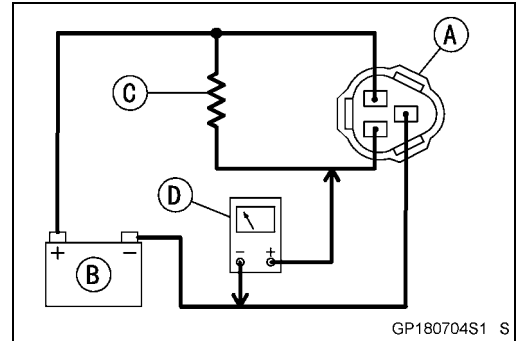


Switch and Sensors

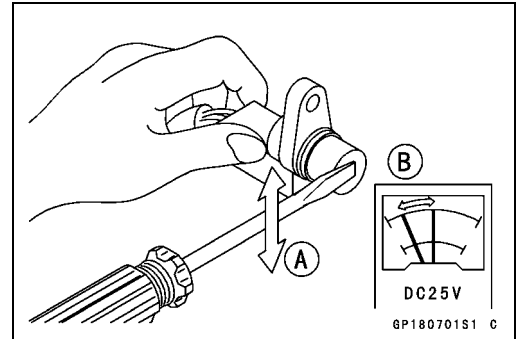
Speed Sensor Inspection

- Remove:
 - Speed Sensor (see Speed Sensor Removal)
- Connect the speed sensor connector [A] with a battery [B], 10 kΩ resistor [C] and hand tester [D] as shown.
- Set the tester to the DC 25 V range.

Special Tool - Hand Tester: 57001-1394



- Trace [A] the speed sensor surface with the screw driver.
- Then the tester indicator should flick [B].
- ★ If the tester indicator does not flick, replace the speed sensor.



Front Brake Light Switch Inspection

- Refer to the Front Brake Light Switch Inspection in the Periodic Maintenance chapter.

Rear Brake Light Switch Check/Adjustment (Periodic)

- Refer to the Rear Brake Light Switch Check/Adjustment in the Periodic Maintenance chapter.

Switch Inspection

- Using the hand tester, check to see that only the connections shown in the table have continuity (about zero ohms).
- For the handlebar switches and the ignition switch, refer to the tables in the Wiring Diagram.
- ★ If the switch has an open or short, repair it or replace it with a new one.

Special Tool - Hand Tester: 57001-1394

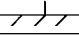
Rear Brake Light Switch Connections

	BR	BL
When brake pedal is pushed down	○ ——— ○	○ ——— ○
When brake pedal is released		

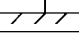
Side Stand Switch Connections

	G/Y	G/W
When side stand is up	○ ——— ○	○ ——— ○
When side stand is down		

Neutral Switch Connections

	SW. Terminal	
When transmission is in neutral	○ ——— ○	○ ——— ○
When transmission is not in neutral		

Oil Pressure Switch Connections*

	SW. Terminal	
When engine is stopped	○ ——— ○	○ ——— ○
When engine is running		

*: Engine lubrication system is in good condition

16-84 ELECTRICAL SYSTEM

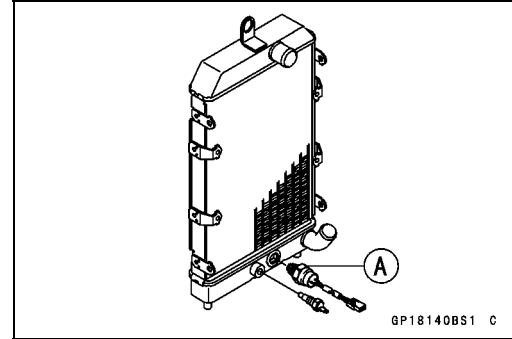
Switch and Sensors

Radiator Fan Switch Removal

CAUTION

Never drop the fan switch, especially on a hard surface. Such a shock to the part can damage it.

- Drain the coolant (see Periodic Maintenance chapter).
- Disconnect the fan switch connector.
- Unscrew the radiator fan switch [A] from the radiator.



Radiator Fan Switch Installation

- Tighten:
 - Torque - Radiator Fan Switch: 18 N·m (1.8 kgf·m, 13 ft·lb)
- Fill the coolant and bleed the air from the cooling system (see Periodic Maintenance chapter).

Radiator Fan Switch Inspection

- Remove the fan switch from the radiator.
- Suspend the switch [A] in a container of machine oil so that the heat-sensitive portion and threaded portion are submerged.
- Suspend an accurate thermometer [B] with heat-sensitive portions [C] located in almost the same depth.

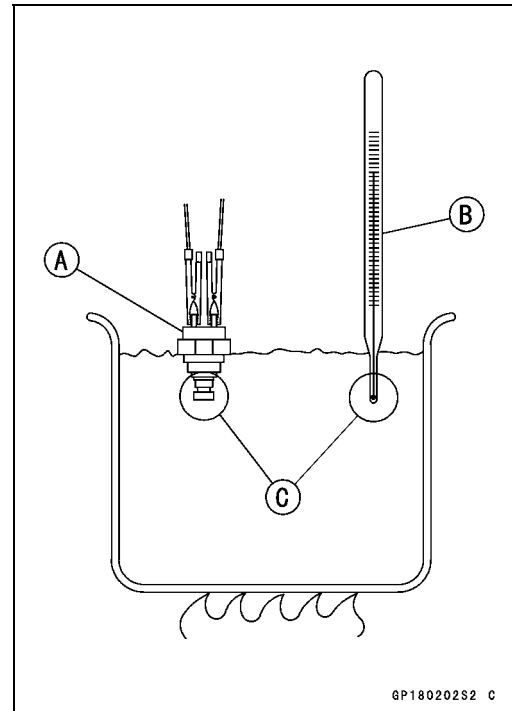
NOTE

○ The switch and thermometer must not touch the container sides or bottom.

- Place the container over a source of heat and gradually raise the temperature of the oil while stirring the oil gently for even temperature.
- Using the hand tester (special tool), measure the internal resistance of the switch across the terminals at the temperatures shown in the table.
- ★ If the measurement is out of the range, replace the switch.

Fan Switch Resistance

- Rising temperature:
 - From OFF to ON at 102 ~ 108°C (216 ~ 226°F)
- Falling temperature:
 - From ON to OFF at 98°C (208°F) ~ temperature (less than ON temperature)
- ON: Less than 0.5 Ω
- OFF: More than 1 MΩ

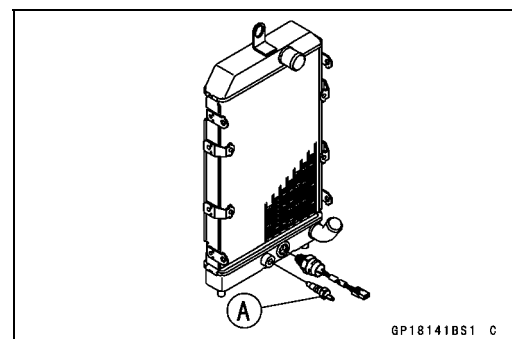


Water Temperature Switch Removal

CAUTION

The water temperature switch should never be allowed to fall on a hard surface. Such a shock to the part can damage it.

- Drain the coolant (see Periodic Maintenance chapter).
- Disconnect the switch connector.
- Remove the water temperature switch [A] from the radiator.



Switch and Sensors

Water Temperature Switch Installation

- Apply silicone sealant to the threads of the water temperature switch.

Sealant - Kawasaki Bond: 59019-120

- Tighten:
 - Torque - Water Temperature Switch: 7.8 N·m (0.8 kgf·m, 69 in·lb)**
- Fill the engine with coolant and bleed the air from the cooling system (see Periodic Maintenance chapter).

Water Temperature Switch Inspection

- Remove the water temperature switch.
- Suspend the switch [A] in a container of machine oil so that the heat-sensitive portion and threaded portion are submerged.
- Suspend an accurate thermometer [B] with heat-sensitive portions [C] located in almost the same depth.

NOTE

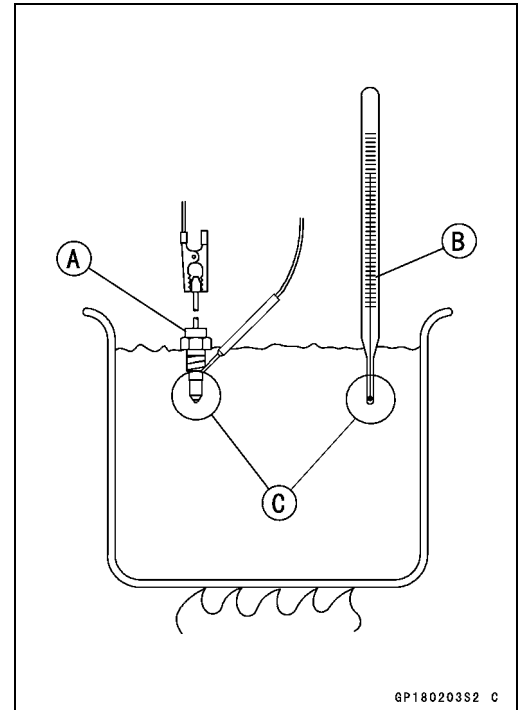
- *The switch and thermometer must not touch the container side or bottom.*
- Place the container over a source of heat and gradually raise the temperature of the oil while stirring the oil gently for even temperature.
- Using the hand tester, measure the internal resistance of the switch across the terminal and the body at the temperatures shown in the table.
- ★ If the measurement is out of the range, replace the switch.

Water Temperature Switch Resistance

- **Rising temperature:**
From OFF to ON at 113 ~ 117°C (235 ~ 243°F)
- **Falling temperature:**
From ON to OFF at 108°C (226°F) ~ temperature (less than ON temperature)
- ON: Less than 0.5 Ω**
- OFF: More than 1 MΩ**

Diode (Rectifier) Inspection

- Remove the fuel tank (see Fuel System chapter).
- Disconnect the diode assemblies [A].



16-86 ELECTRICAL SYSTEM

Switch and Sensors

- Set the hand tester to the $\times 100 \Omega$ range.

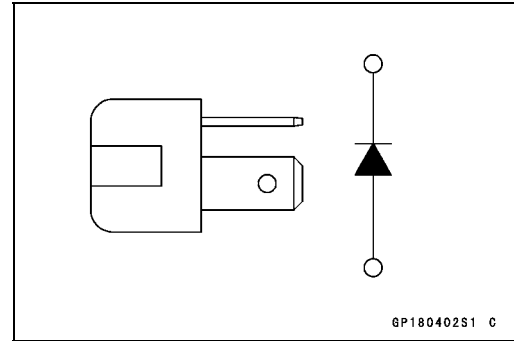
Special Tool - Hand Tester: 57001-1394

Check the continuity between the diode terminals in both directions.

- ★ If there is continuity in one direction (forward direction) but no continuity (infinity) in the reverse direction, the diode is normal.
- ★ The diode is defective if there is continuity after changing the direction, or if it remains with no continuity.

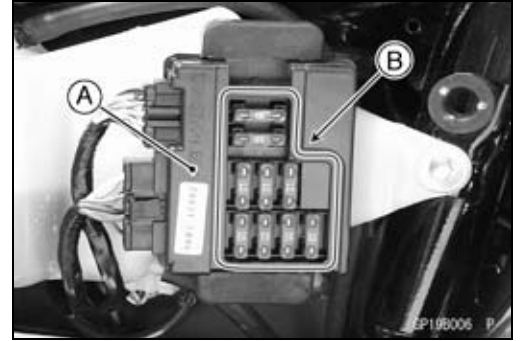
NOTE

- *The actual resistance measurement in the forward direction varies with the tester used and the individual diodes. Generally speaking, it is acceptable if the tester's indicator swings approximately halfway.*



Junction Box

The junction box [A] has fuses [B], relays, and diodes. The relays and diodes can not be removed.



Junction Box Fuse Circuit Inspection

- Remove the right side cover (see Frame chapter).
- Remove the junction box.
- Pull off the connectors from the junction box.
- Make sure all connector terminals are clean and tight, and none of them have been bent.
- ★ Clean the dirty terminals, and straighten slightly-bent terminals.
- Check conductivity of the numbered terminals with the hand tester (see Junction Box Internal Circuit).
- ★ If the tester does not read as specified, replace the junction box.

Fuse Circuit Inspection

Tester Connection	Tester Reading (Ω)
1-1A	0
1-2	0
3A-4	0
6-5	0
6-10	0
6-7	0
6-17	0

Tester Connection	Tester Reading (Ω)
1A-8	∞
2-8	∞
3A-8	∞
6-2	∞
6-3A	∞
17-3A	∞

16-88 ELECTRICAL SYSTEM

Junction Box

Starter Circuit/Headlight Relay Inspection

- Remove the junction box.
- Check conductivity of the following numbered terminals by connecting the hand tester and one 12 V battery to the junction box as shown (see Junction Box Internal Circuit).
- ★ If the tester does not read as specified, replace the junction box.

Relay Circuit Inspection (with the battery disconnected)

	Tester Connection	Tester Reading (Ω)		Tester Connection	Tester Reading (Ω)
Headlight Relay	7-8	∞	Starter Circuit Relay	9-11	∞
	7-13	∞		12-13	∞
	(+) (-) 13-9	Not ∞*		(+) (-) 13-11	∞
		(+) (-) 12-11		Not ∞*	

- *: The actual reading varies with the hand tester used.
 (+): Apply tester positive wire.
 (-): Apply tester negative wire.

Relay Circuit Inspection (with the battery connected)

Reading Headlight Relay	Battery Connection (+) (-)	Tester Connection	Tester Reading (Ω)
	*9-13	*7-8	0
Starter Circuit Relay	11-12	(+) (-) 13-11	Not ∞*

- *: The actual reading varies with the hand tester used.
 (+): Apply tester positive wire.
 (-): Apply tester negative wire.

Diode Circuit Inspection

- Remove the junction box.
- Check conductivity of the following pairs of terminals (see Junction Box Internal Circuit).

Diode Circuit Inspection

Tester Connection	13-8, 13-9, 12-11, 12-14, 15-14, 16-14
-------------------	--

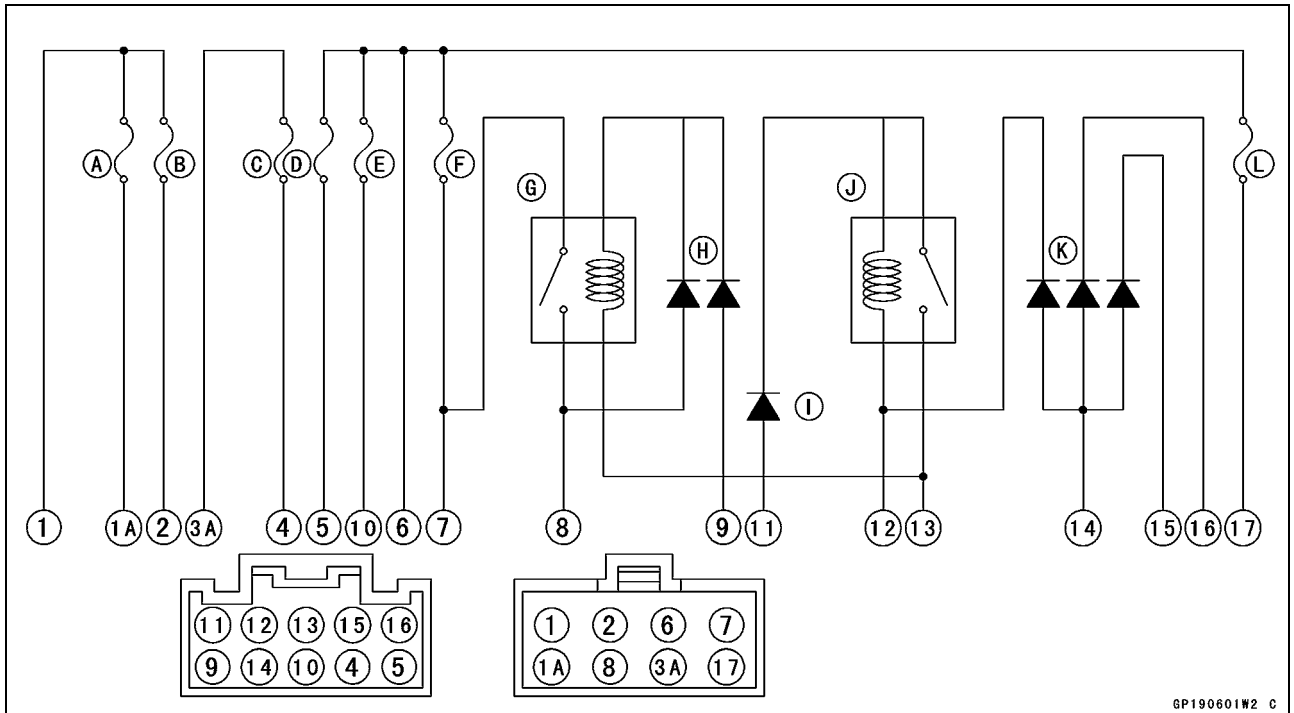
- ★ The resistance should be low in one direction and more than ten times as much in the other direction. If any diode shows low or high in both directions, the diode is defective and the junction box must be replaced.

NOTE

- The actual meter reading varies with the meter or tester used and the individual diodes, but generally speaking, the lower reading should be from zero to one half the scale.

Junction Box

Junction Box Internal Circuit



GP190601W2 C

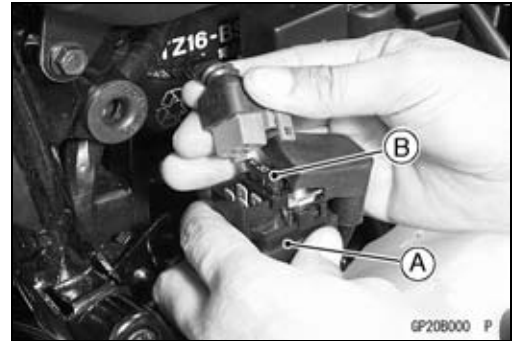
- Accessory Fuse 10 A [A]
- Fan Fuse 15 A [B]
- Turn Signal Fuse 10 A [C]
- Horn Fuse 10 A [D]
- Ignition Fuse 10 A [E]
- Headlight Fuse 10 A [F]
- Headlight Relay [G]
- Headlight Diodes [H]
- Starter Diode [I]
- Starter Circuit Relay [J]
- Interlock Diodes [K]
- Taillight Fuse 10 A [L]

16-90 ELECTRICAL SYSTEM

Fuse

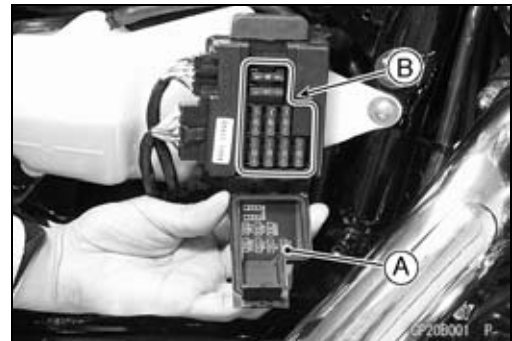
Main Fuse Removal

- Remove the right side cover (see Frame chapter).
- Remove the coolant reserve tank bolts and hanging the reserve tank.
- Remove the starter relay [A].
- Pull out the main fuse [B] from the starter relay with needle nose pliers.



Junction Box Fuse Removal

- Remove the right side cover (see Frame chapter).
- Unlock the hook to lift up the lid [A].
- Pull the fuses [B] straight out of the junction box with needle nose pliers.



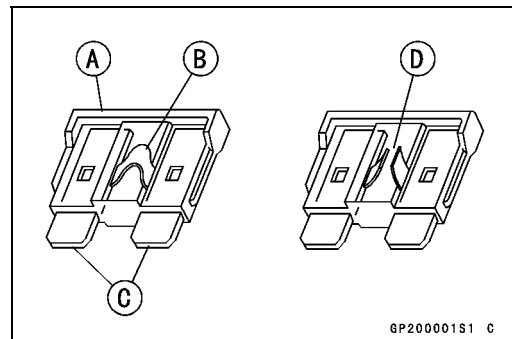
Fuse Installation

- If a fuse fails during operation, inspect the electrical system to determine the cause, and then replace it with a new fuse of proper amperage.
- Install the junction box fuses on the original position as specified on the lid.

Fuse Inspection

- Remove the fuse (see Fuse Removal).
- Inspect the fuse element.
- ★ If it is down out, replace the fuse. Before replacing a blown fuse, always check the amperage in the affected circuit. If the amperage is equal to or greater than the fuse rating, check the wiring and related components for a short circuit.

- Housing [A]
- Fuse Element [B]
- Terminals [C]
- Blown Element [D]



NOTE

- A mass current flows to the battery according to the state of the battery which needs refreshing charge when the engine is turned causing main fuse blown out.

CAUTION

Do not use a fuse rated for other amperage and voltage specified in the wiring diagram. Installation of a fuse with a higher rating may cause damage to wiring and components, and a fuse of a lower rating will soon blow again.

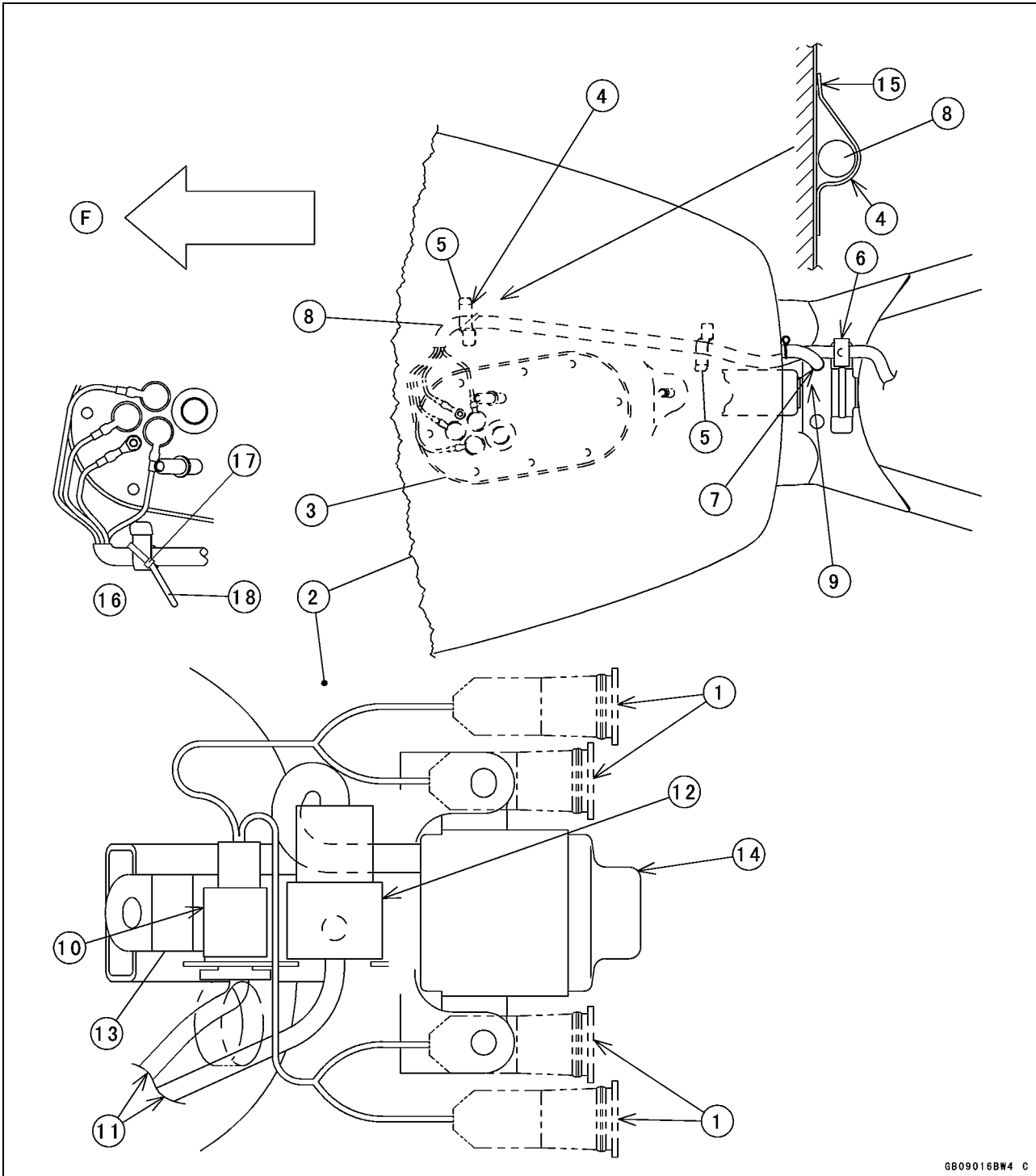
Appendix

Table of Contents

Cable, Wire, and Hose Routing 17-2
Troubleshooting Guide (except DFI) 17-52

17-2 APPENDIX

Cable, Wire, and Hose Routing



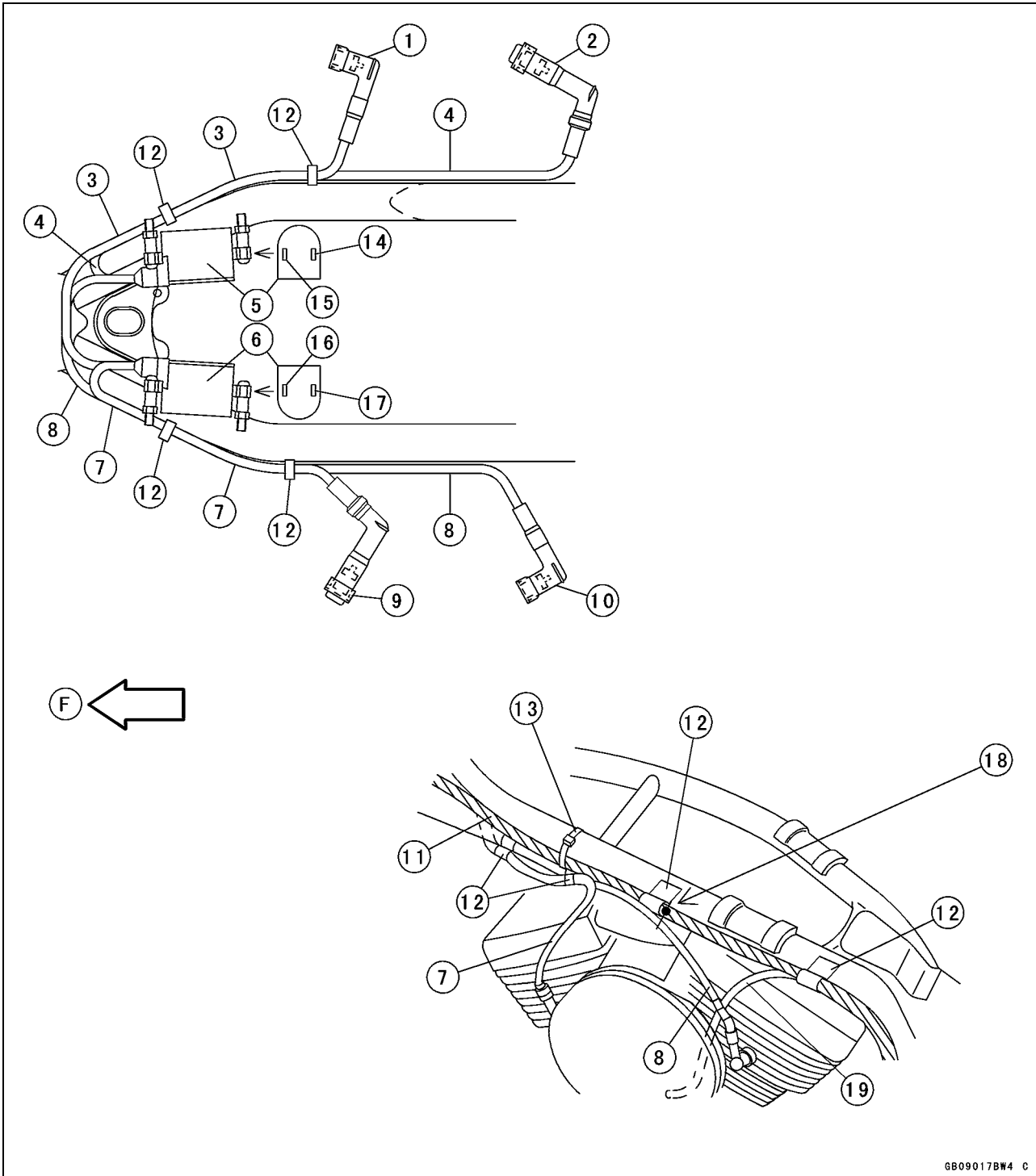
Cable, Wire, and Hose Routing

F: Front

1. Indicator Lights
2. Fuel Tank
3. Fuel Pump Base
4. Two Clamps (fuel pump leads)
5. Plastic Caps
6. Snap-on Plastic Clamps
7. Fuel Tank Breather Hose
8. Fuel Pump Harness
9. Run the harness [8] under the hose [7].
10. Indicator Light Connector: Insert the main harness side connector into the connector hole of the bracket [13] and join the connector.
11. Main Harness
12. Ignition Switch Connector: Join the connector and fit them into the hole of the bracket [13].
Indicator Unit Bracket
14. Ignition Switch
15. Press each end of clamps by hands against the bottom of the tank. And then, make sure that the ends touch the bottom of the tank.
16. View from the fuel tank bottom
17. Connect portion of strap push in the fuel tank bottom side.
18. Must not cut off the strap end.

17-4 APPENDIX

Cable, Wire, and Hose Routing



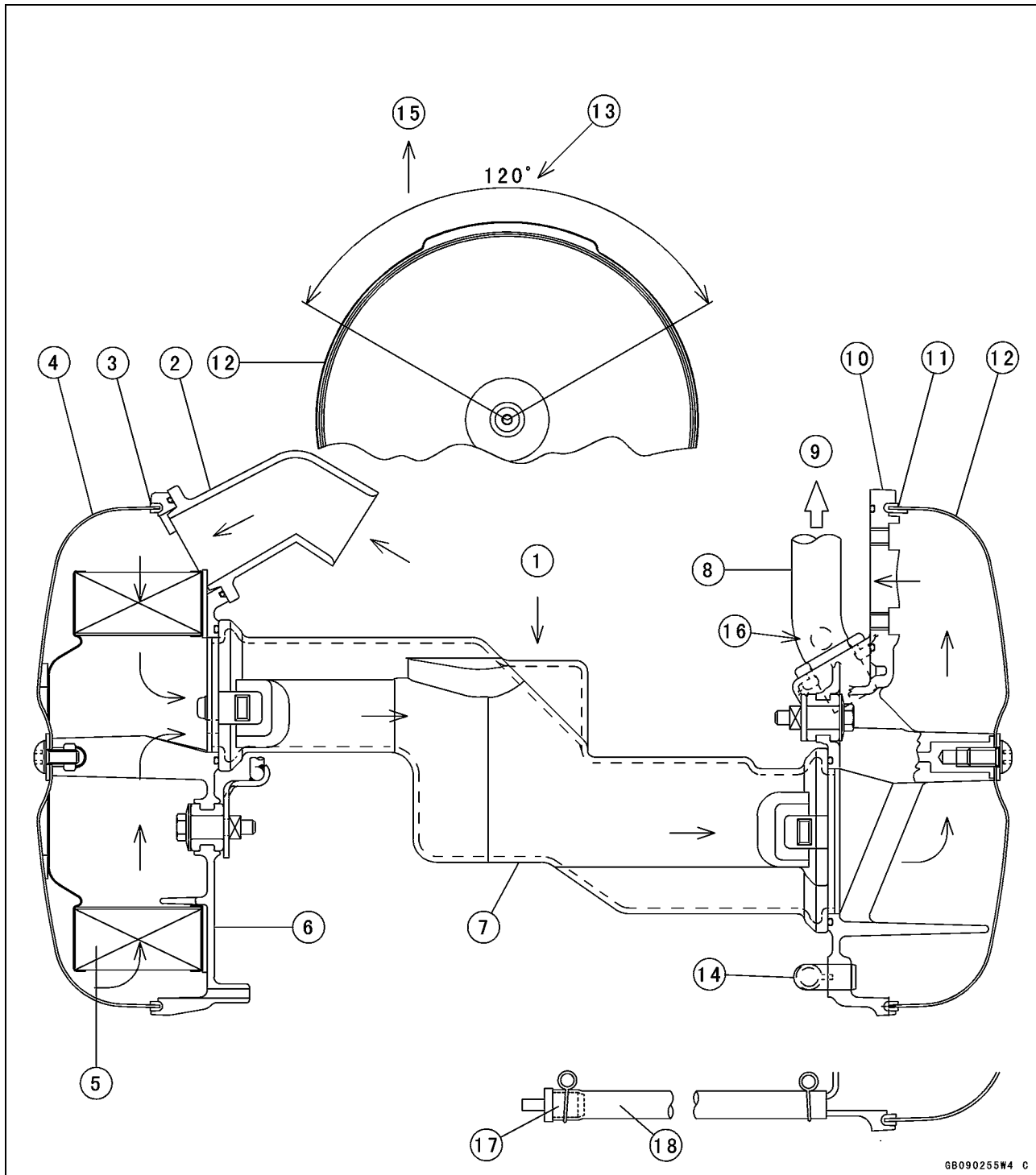
Cable, Wire, and Hose Routing

F: Front

1. Front Right Spark Plug Cap
2. Rear Right Spark Plug Cap
3. 2nd Lead from the left ignition coil lower side
4. 2nd Lead from the right ignition coil lower side
5. Ignition Coil for Rear Spark Plugs
6. Ignition Coil for Front Spark Plugs
7. 2nd Lead from the left ignition coil upper side
8. 2nd Lead from the right ignition coil upper side
9. Front Left Spark Plug Cap
10. Rear Left Spark Plug Cap
11. Clutch Hose
12. Plastic Snap-on Clamps
13. Strap
14. BK/G Primary Lead
15. R/G Primary Lead
16. BK Primary Lead
17. R/G Primary Lead
18. Align the white mark with the back of the clamp [12].
19. Canister Purge Hose (green, CA)

17-6 APPENDIX

Cable, Wire, and Hose Routing



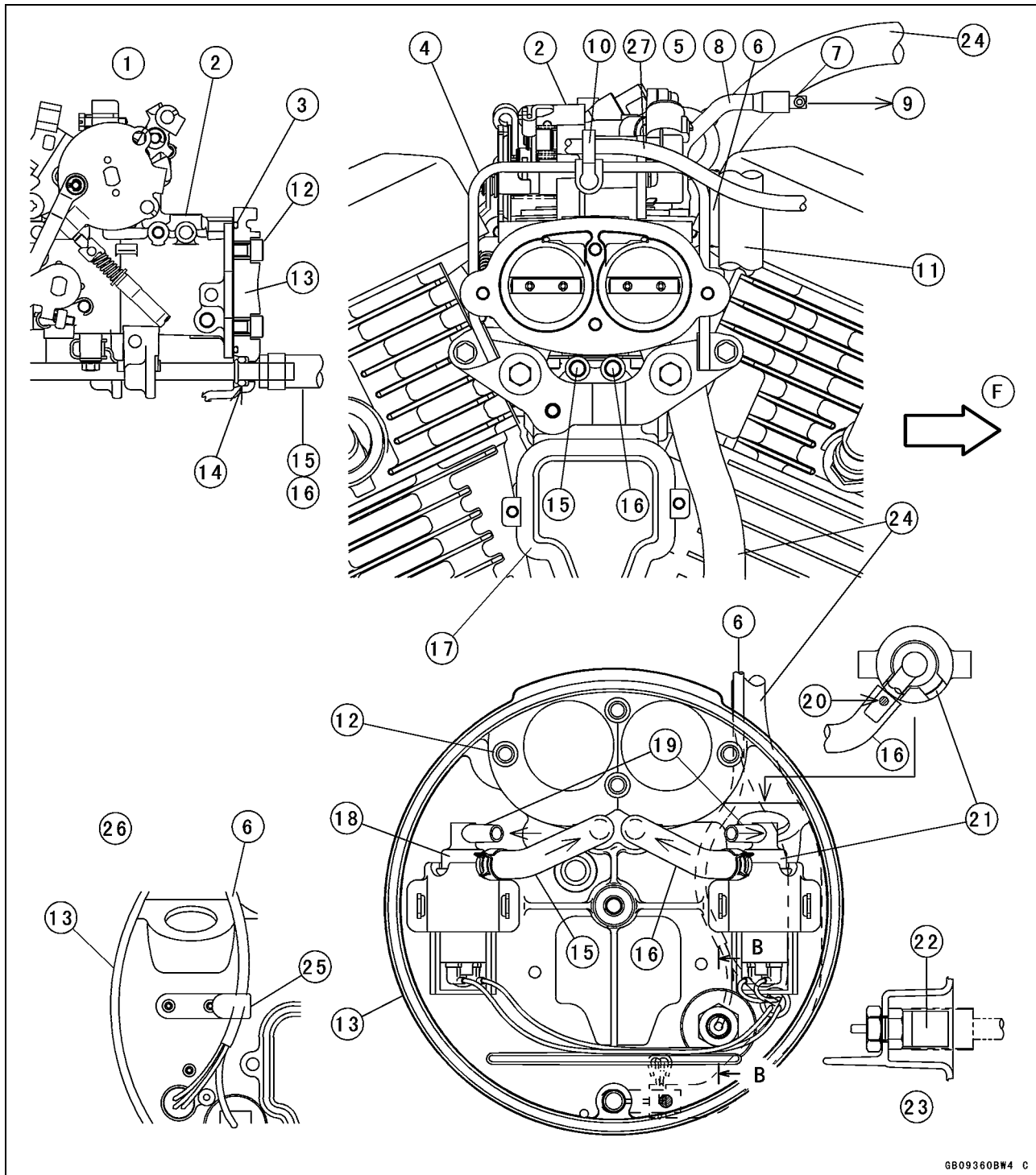
Cable, Wire, and Hose Routing

→: Inlet Air Flow

1. Rear View
2. Air Inlet
3. Left Rubber Gasket
4. Left Air Cleaner Cover
5. Air Cleaner Element
6. Left Air Cleaner Base
7. Lower Air Cleaner Duct
8. Air Switching Valve Hose
9. To Air Switching Valve
10. Right Rubber Gasket
11. Right Rubber Gasket
12. Right Air Cleaner Cover
13. Locate the glued joint of the gasket within the angle.
14. Elbow Joint: connected to crankcase breather hose
15. Top
16. White Mark on Hose [8](front side): Position here.
17. Plug
18. Run this drain hose between cylinders.

17-8 APPENDIX

Cable, Wire, and Hose Routing

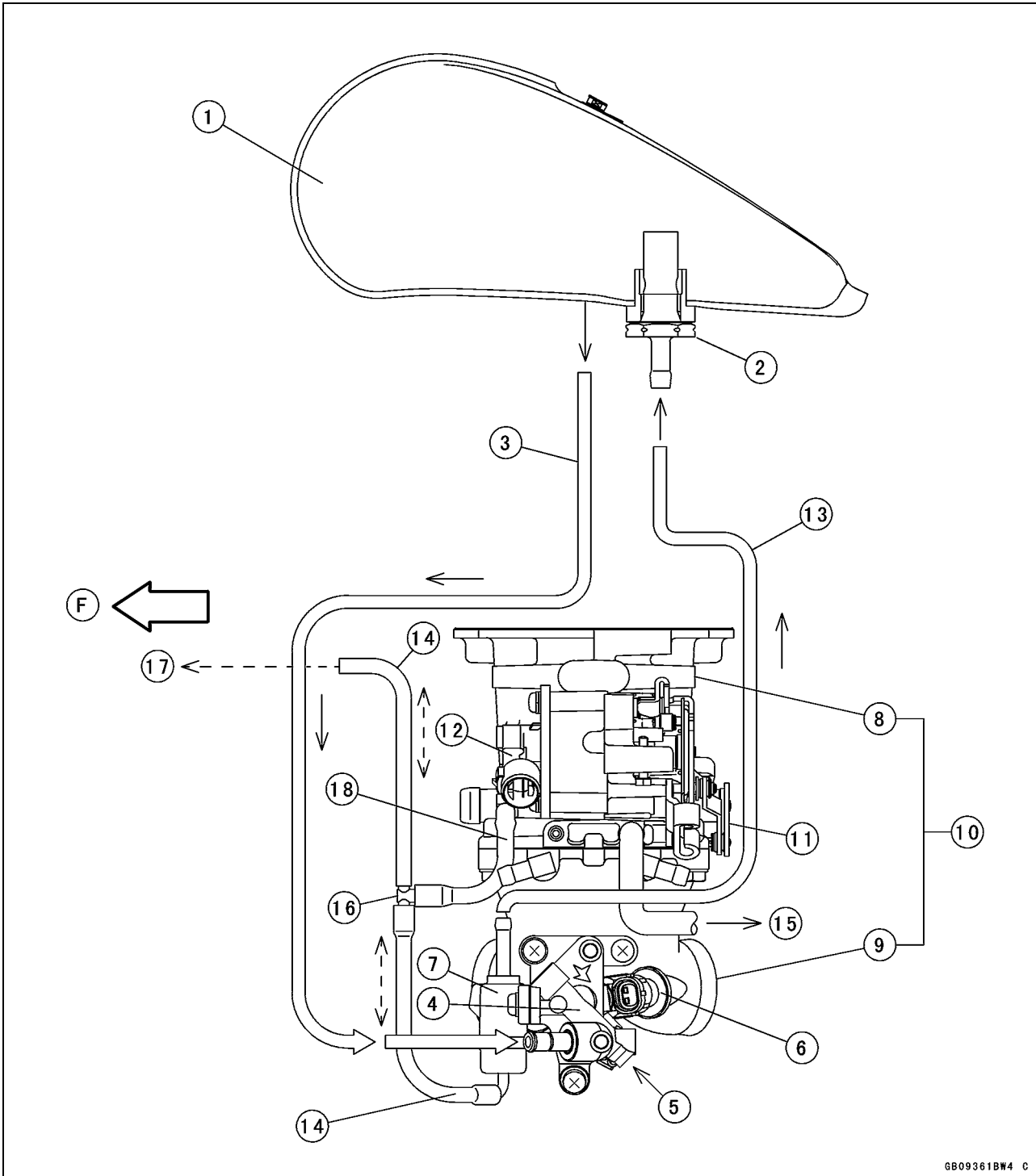


Cable, Wire, and Hose Routing

- : Bypass Air Flow
- F: Front
- 1. Rear View
- 2. Throttle Body Assy
- 3. Air Cleaner Base Seal
- 4. Spark Plug Lead Holder
- 5. Right Side View
- 6. Harness of Inlet Air Temperature Sensor & ISC Valves
- 7. T-Joint
- 8. Vacuum Hose from Throttle Body
- 9. Inlet Air Pressure Sensor and Pressure Regulator
- 10. Clamp
- 11. Air Switching Valve Hose
- 12. Right Air Cleaner Base Bolts
- 13. Right Air Cleaner Base
- 14. O-rings
- 15. ISC Valve Hose #2 (red)
- 16. ISC Valve Hose #1 (blue)
- 17. Lower Air Cleaner Duct
- 18. ISC Valve Hose #2 (rear cylinder)
- 19. ISC Valve Inlet
- 20. Blue Mark on Top
- 21. ISC Valve #1 (front cylinder)
- 22. Inlet Air Temperature Sensor
- 23. Section B-B
- 24. Crankcase Breather Hose
- 25. Clamp these leads [6] with a slack as little as possible.
- 26. Back of Right Air Cleaner Base
- 27. Spark Plug Lead

17-10 APPENDIX

Cable, Wire, and Hose Routing

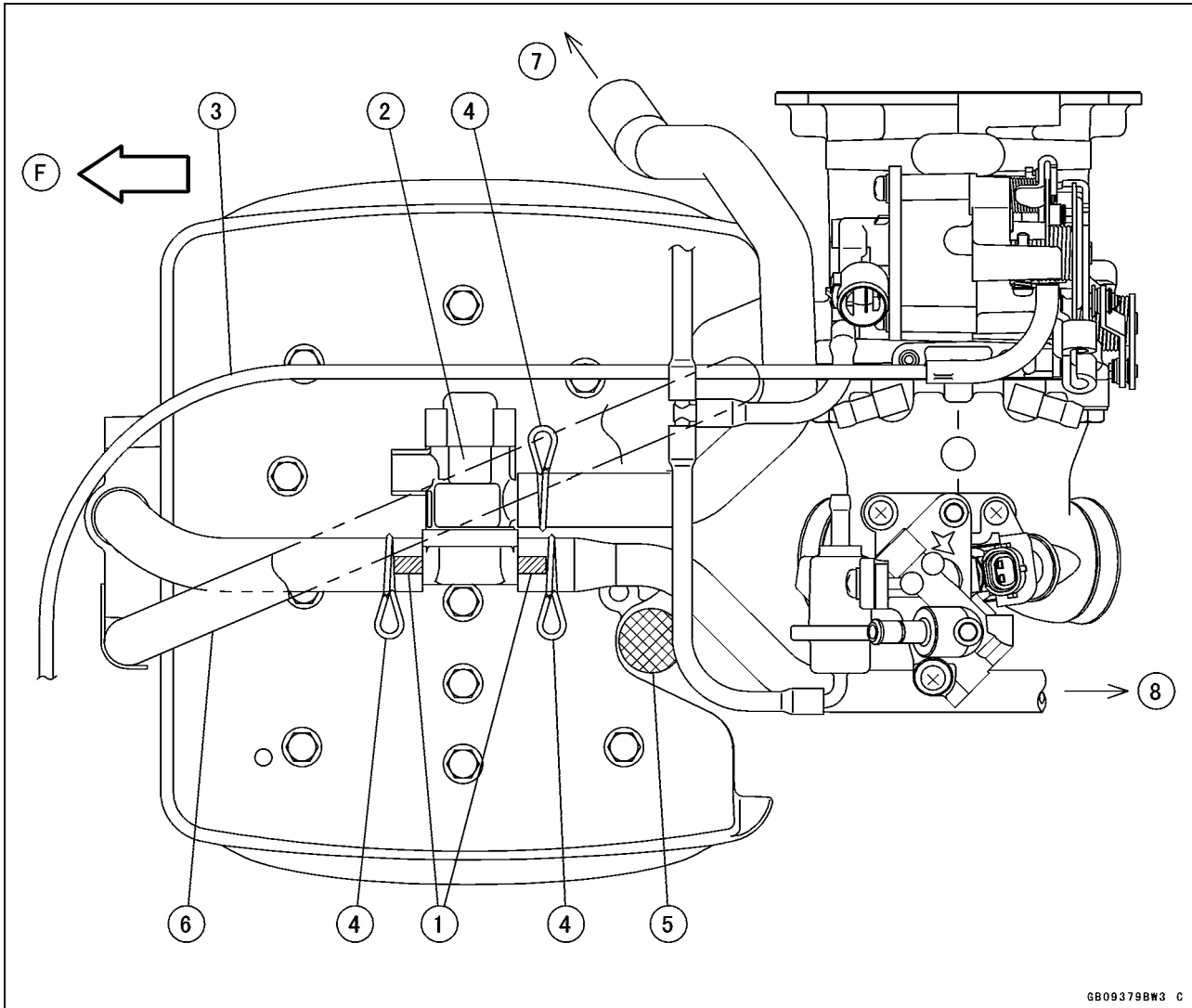


Cable, Wire, and Hose Routing

- - →: Vacuum Pulsation
- : Fuel Flow
- F: Front
- #1. For Front Cylinder
- #2. For Rear Cylinder.
 1. Fuel Tank (left view)
 2. Return Fuel Check Valve
 3. High Pressure Fuel Hoses
 4. Delivery Joint
 5. Fuel Injector #1
 6. Fuel Injector #2
 7. Pressure Regulator
 8. Throttle Body
 9. Inlet Manifold
 10. Throttle Body Assy (top view)
 11. Throttle Pulley
 12. Throttle Sensor
 13. Low Pressure (Return) Fuel Hose
 14. Vacuum Hoses from Throttle Body
 15. Vacuum Hose (White, California Model)
 16. T-Joint
 17. Inlet Air Pressure Sensor
 18. Throttle Vacuum Hose

17-12 APPENDIX

Cable, Wire, and Hose Routing

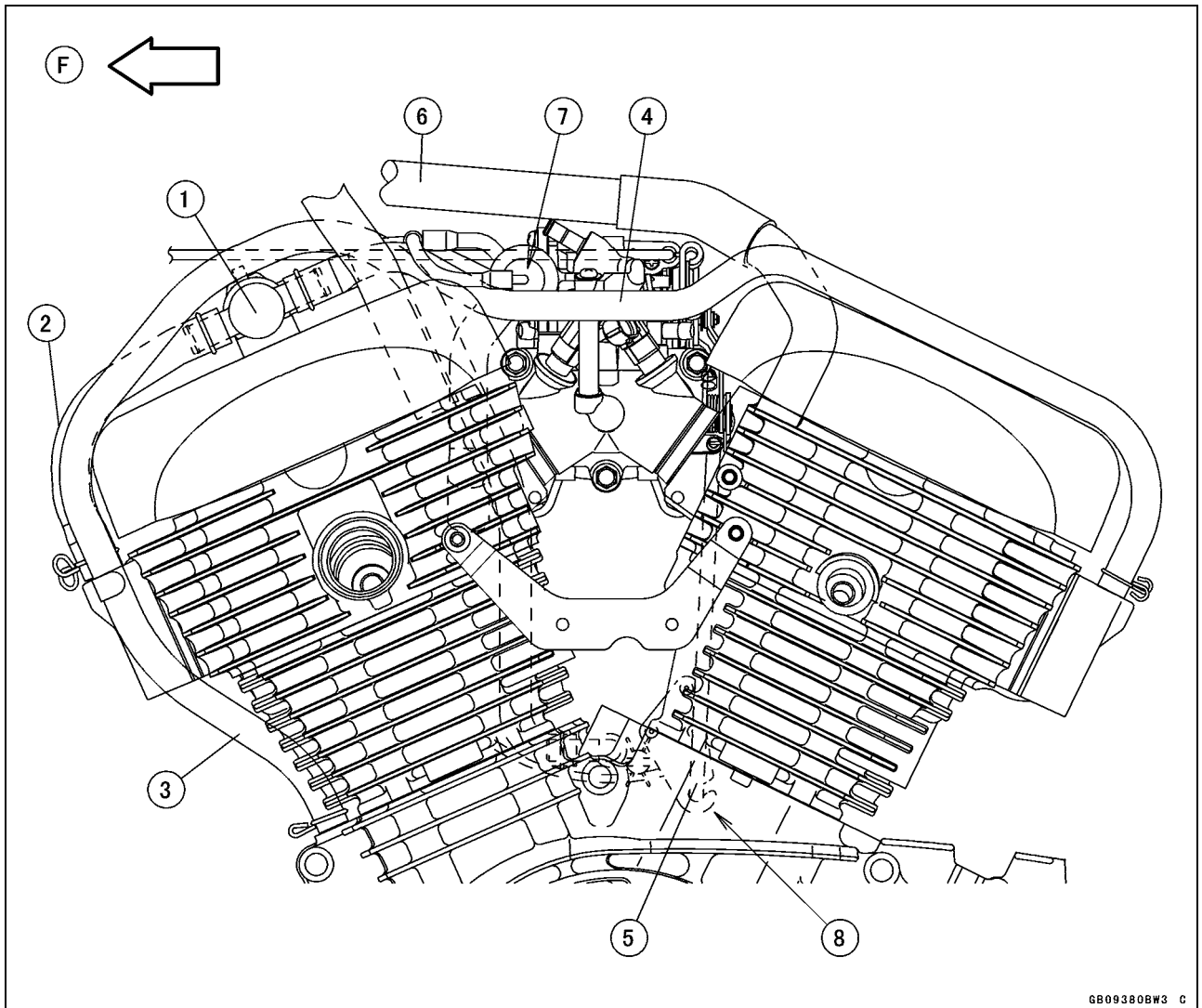


GB09379BW3 C

F: Front

1. Face the white marks top.
2. Air Switching Valve
3. Choke Cable
4. Face the clamp knob as shown.
5. Front Cylinder Water Hose
6. Breather Hose: Run the upper the air switching valve.
7. To the Right Air Cleaner Base
8. To the Rear Air Suction Valve

Cable, Wire, and Hose Routing



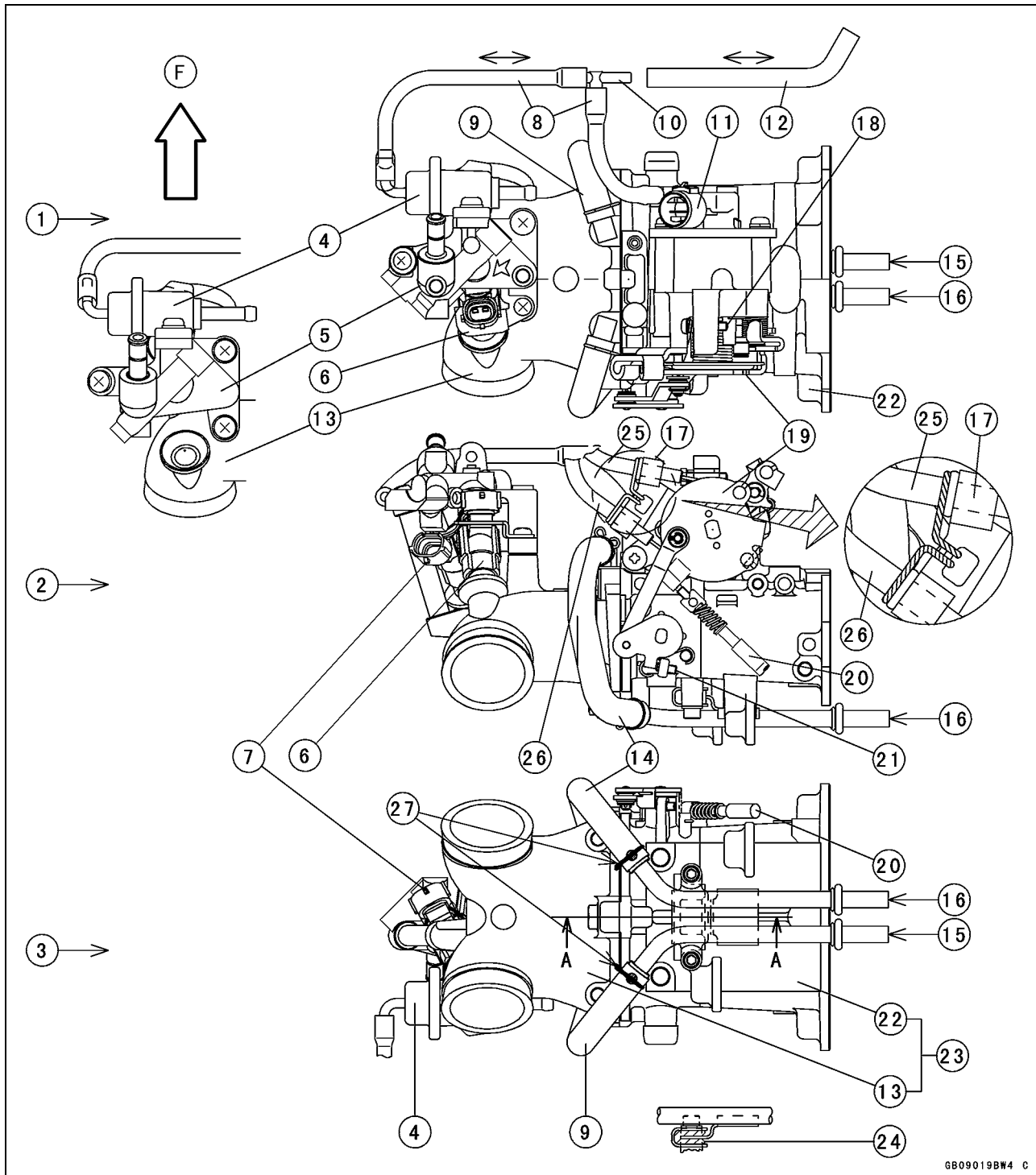
6B09380B#3 C

F: Front

1. Air Switching Valve
2. Front Air Suction Valve Hose
3. Breather Hose
4. Rear Air Suction Valve Hose
5. Idle Adjusting Screw
6. Rear Cylinder Water Hose
7. Run the rear air suction valve hose under the pressure regulator on the throttle body assembly.
8. Hold the idle adjusting screw to the hook on the right air cleaner base.

17-14 APPENDIX

Cable, Wire, and Hose Routing

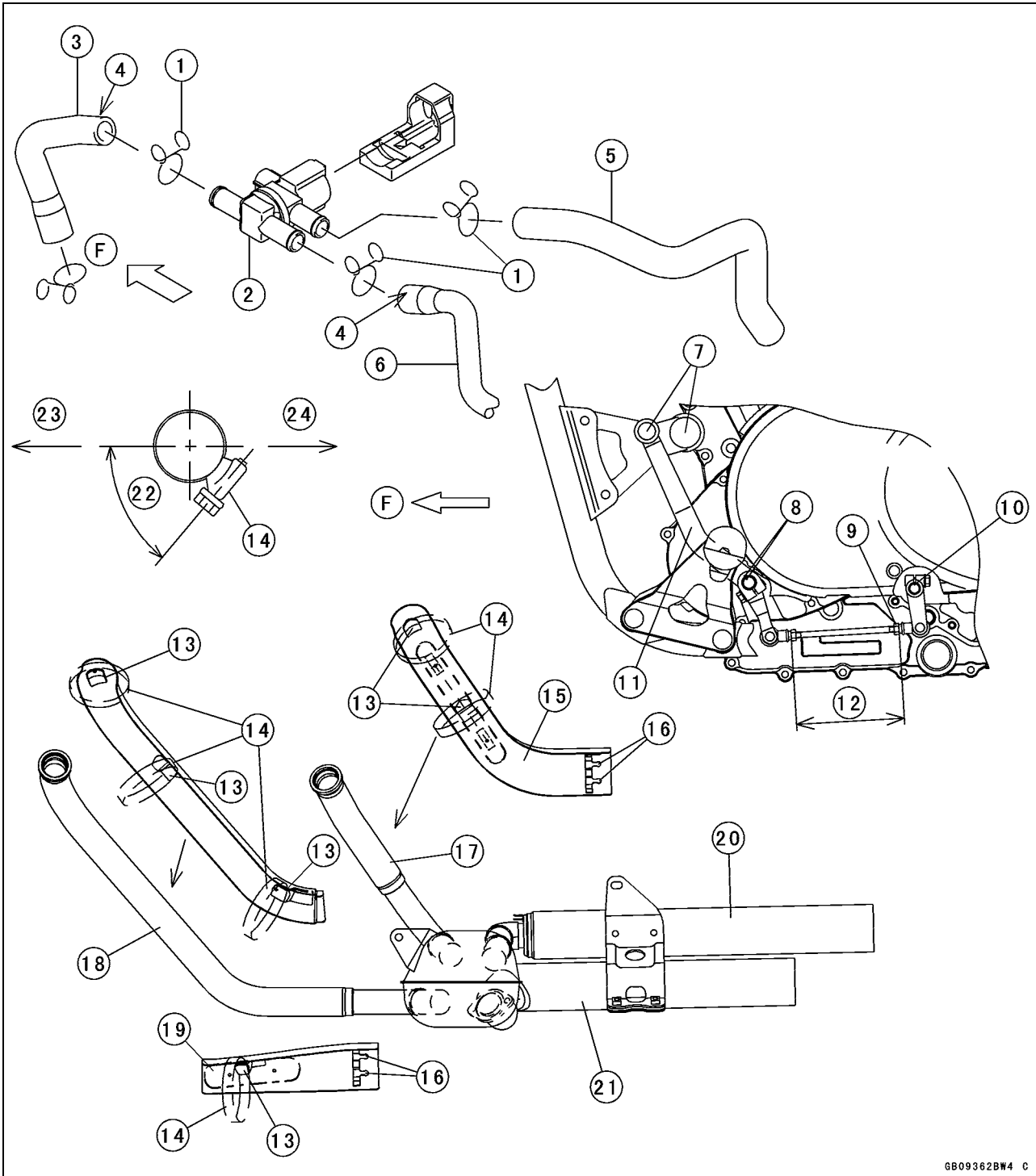


Cable, Wire, and Hose Routing

- F: Front
- ←→: Vacuum Pulsation
- : Bypass Air Flow
- #1: For Front Cylinder
- #2: For Rear Cylinder
- 1. Top View
- 2. Rear View
- 3. Bottom View
- 4. Pressure Regulator
- 5. Delivery Joint
- 6. Fuel Injector #2
- 7. Fuel Injector #1
- 8. Vacuum Hoses from Throttle Body
- 9. ISC Hose #1
- 10. T-Joint
- 11. Throttle Sensor
- 12. Vacuum Hose to Inlet Air Pressure Sensor
- 13. Inlet Manifold
- 14. ISC Hose #2
- 15. ISC Pipe #1
- 16. ISC Pipe #2
- 17. Throttle Cable Holder
- 18. Choke Lever Stop Screw
- 19. Throttle Pulley
- 20. Idle Adjusting Screw
- 21. Throttle Stop Screw
- 22. Throttle Body
- 23. Throttle Body Assy
- 24. ISC Pipe Damper (section A-A)
- 25. Decelerator Cable
- 26. Accelerator Cable
- 27. Position the white marks here.

17-16 APPENDIX

Cable, Wire, and Hose Routing



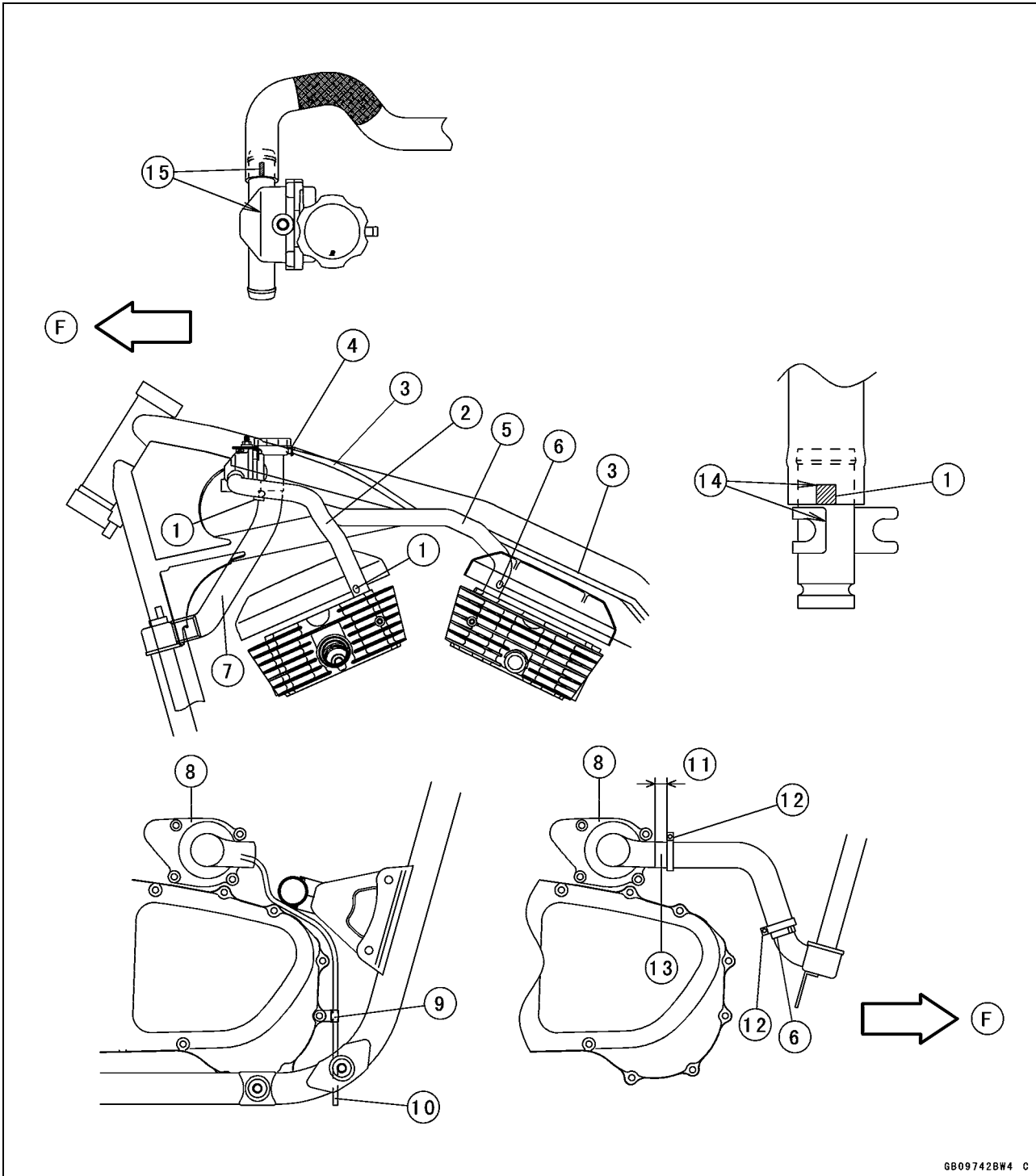
Cable, Wire, and Hose Routing

F: Front

1. Clips
2. Air Switching Valve
3. Air Switching Valve Hose (for front air suction valve)
4. White Mark (Face it upwards.)
5. Air Switching Valve Hose (for right air cleaner base)
6. Air Switching Valve Hose (for rear air suction valve):
Run the hose under the vacuum hose of the pressure regulator and choke cable.
7. They will be almost the same in height by aligning punch marks.
8. Align these punch marks.
9. Left-hand Threads
10. Align the shaft punch mark with the lever slit.
11. Shift Pedal
12. 112 ± 1 mm (4.409 ± 0.039 in. the outside length of these nuts)
13. Hooks
14. Clamps
15. Rear Exhaust Pipe Cover
16. Plastic Tabs
17. Rear Exhaust Pipe
18. Front Exhaust Pipe
19. Front Exhaust Pipe Cover
20. Upper Muffler
21. Lower Muffler
22. Face the clamp screw inside over then 50° from the Horizontal.
23. Outside
24. Inside

17-18 APPENDIX

Cable, Wire, and Hose Routing



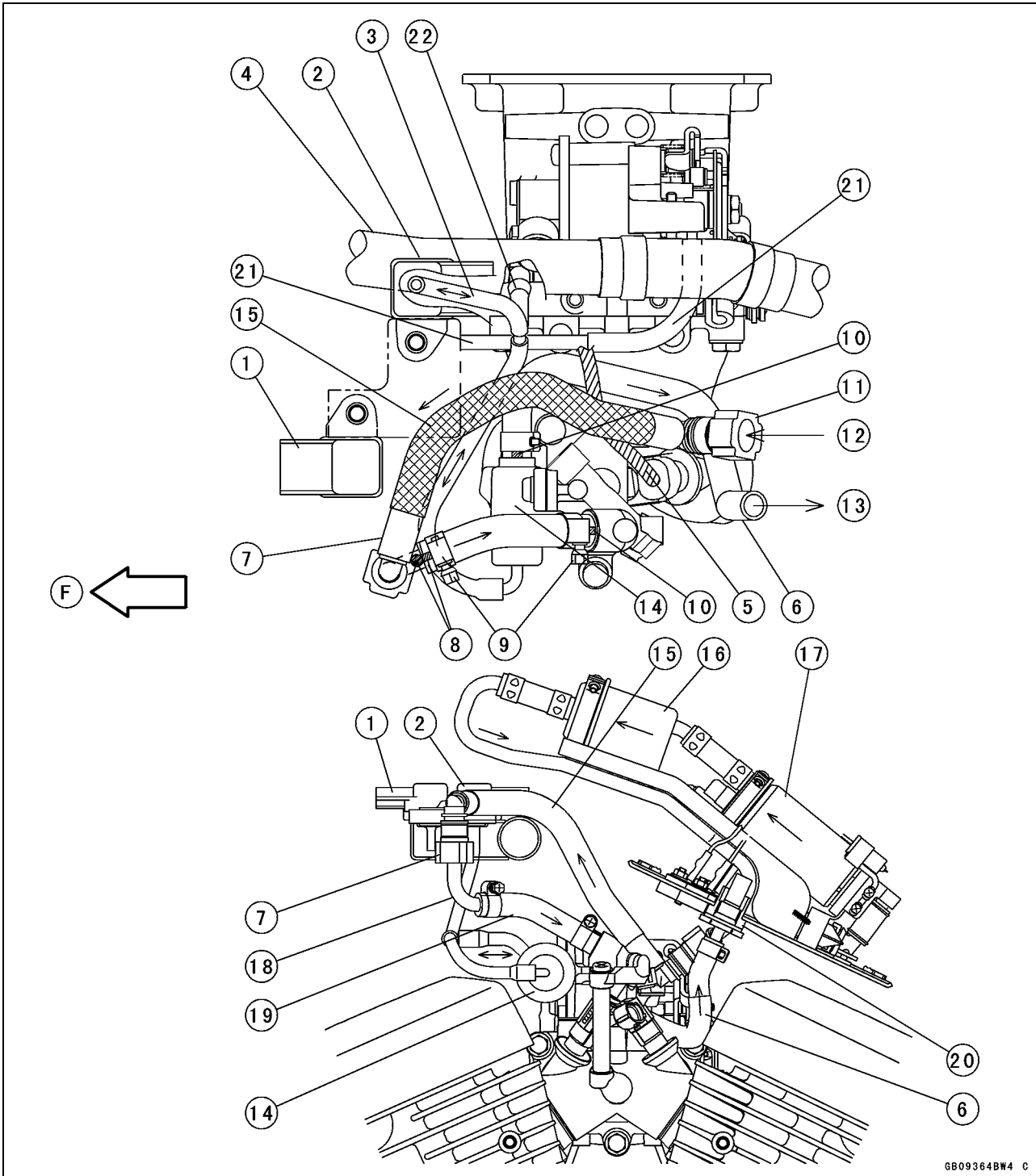
Cable, Wire, and Hose Routing

F: Front

1. White Marks on the hose [2] and [7]: The marks faces forwards.
2. Front Water Hose
3. Reserve Tank Hose
4. Clip
5. Rear Cylinder Water Hose
6. White Marks on the hose face backwards.
7. Radiator Hose
8. Water Pump
9. Clamp
10. Water Pump Drainage Outlet Hose
11. Distance between pump inlet step and clamp end: about 16 mm (0.63 in.)
12. Clamps: Position each screw head as shown.
13. Insert the hose until the end touches the water pump inlet step.
14. Align them.
15. Align the white mark and edge of the thermostat housing.

17-20 APPENDIX

Cable, Wire, and Hose Routing



Cable, Wire, and Hose Routing

F: Front

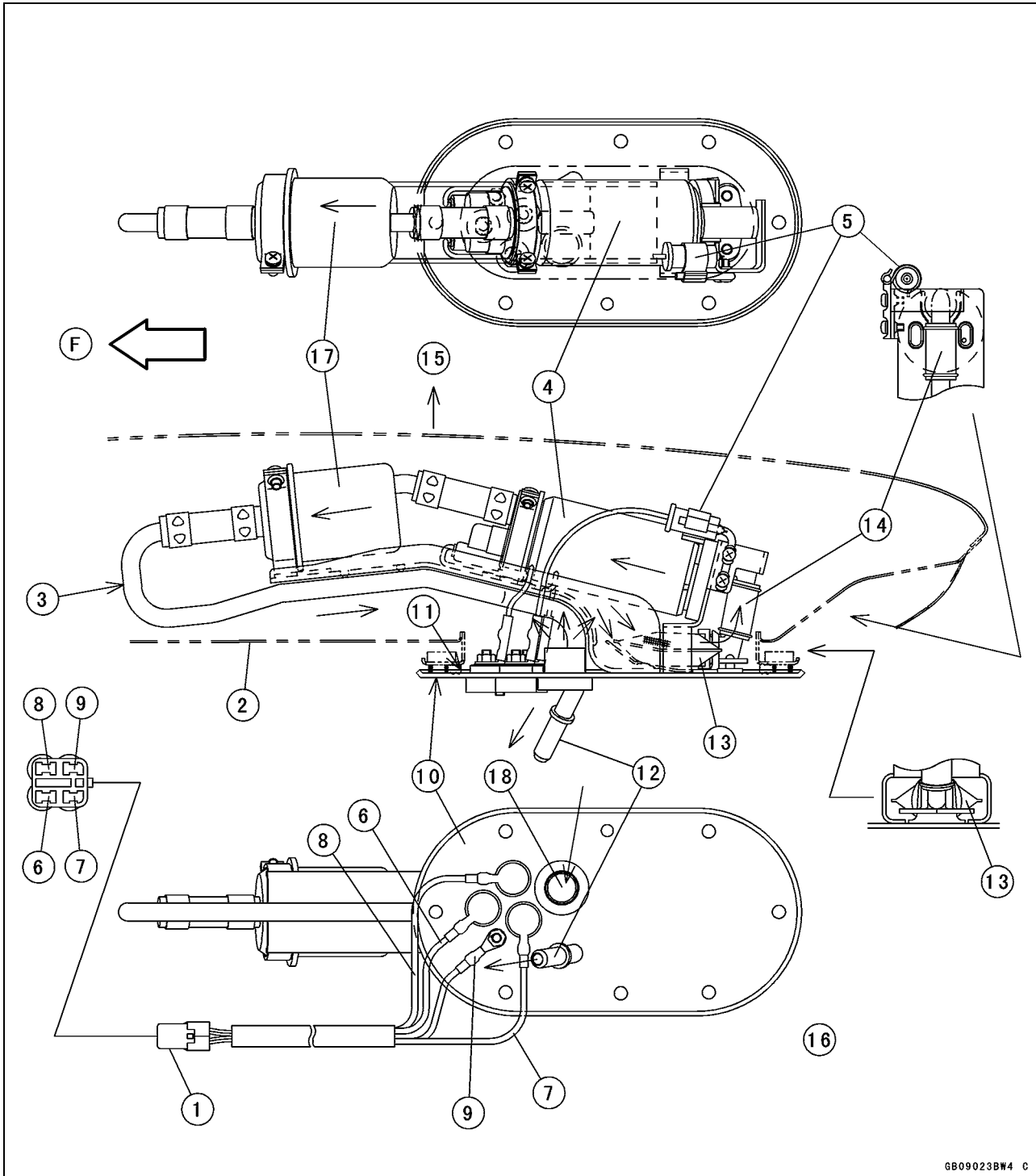
→: Fuel Flow

↔: Vacuum Pulsation

1. Atmospheric Pressure Sensor
2. Inlet Air Pressure Sensor
3. Inlet Air Pressure Sensor Hose
4. Rear Cylinder Water Hose
5. Injector Harness
6. Low Pressure Fuel Hose (return)
7. Fuel Hose Joint #2
8. Yellow Mark: Face the yellow mark upwards and forwards, aligning with the yellow marks.
9. Face the screw head left.
10. Install the hose with its mark up.
11. Fuel Hose Joint #1
12. Outlet Fuel from fuel tank
13. Return Fuel to fuel tank
14. Pressure Regulator
15. High Pressure Fuel Hose (supply)
16. Fuel Filter
17. Fuel Pump
18. Inlet Pipe (to delivery joint)
19. Inlet Hose (to delivery joint)
20. Return Fuel Check Valve
21. Choke Cable: Run this over the hose [22] and under the hose [3].
22. Throttle Vacuum Hose

17-22 APPENDIX

Cable, Wire, and Hose Routing



Cable, Wire, and Hose Routing

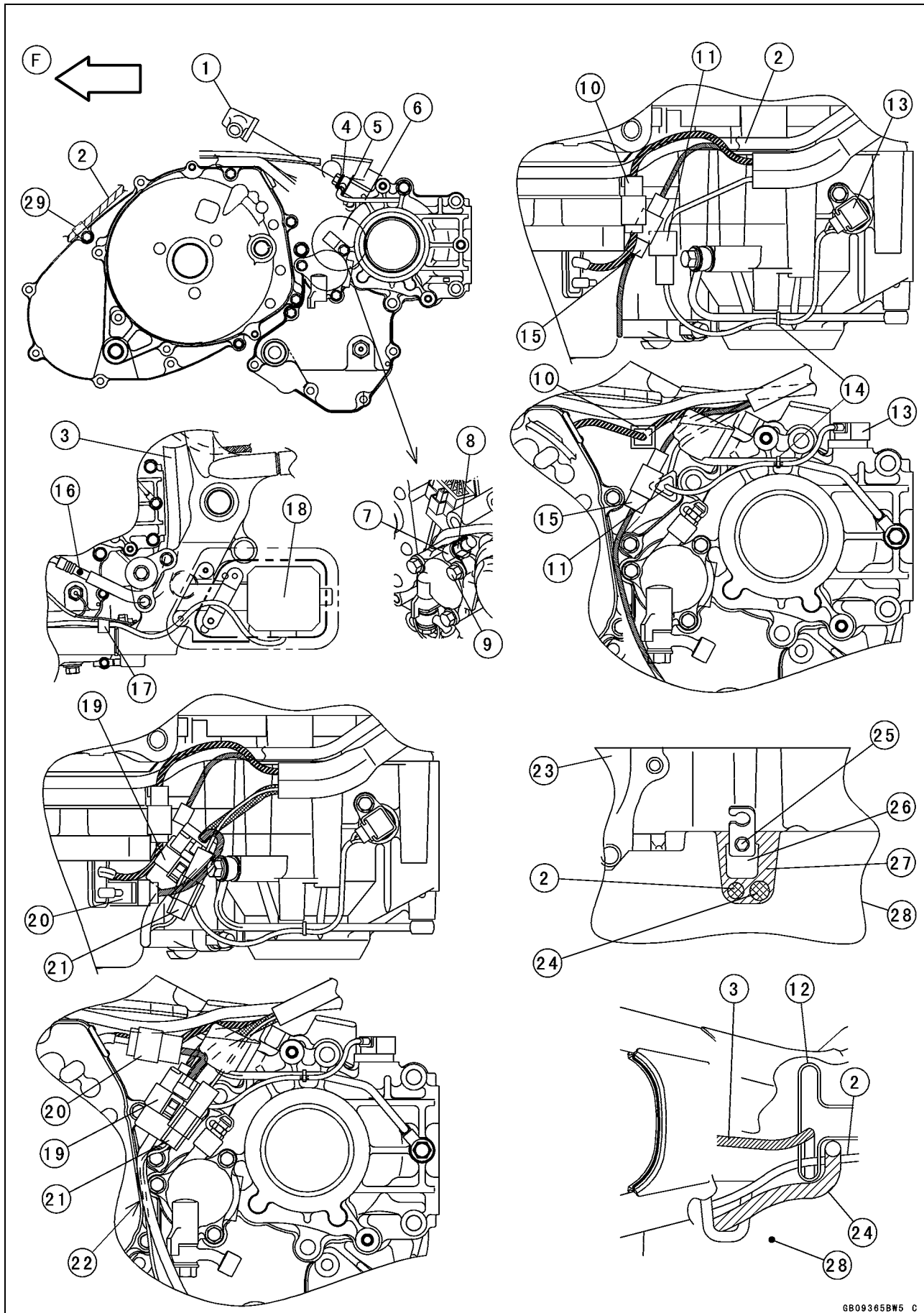
→: Fuel Flow

F: Front

1. Fuel Pump Connector (outside the fuel tank)
2. Bottom of Fuel Tank
3. Outlet Fuel Pipe
4. Fuel Pump Body (DFI)
5. Fuel Reserve Switch (thermistor)
6. Pump Motor (-) BK/W Lead
7. Pump Motor (+) W/R Lead
8. Fuel Reserve Switch R/BK (+) Lead
9. Fuel Reserve Switch BK/Y (-) Lead
10. Pump Base Plate
11. Base Plate Gasket
12. Outlet Fuel Pipe Joint
13. Fuel Pump Screen (Pump Inlet)
14. Inlet Fuel Hose
15. Top
16. Bottom View
17. Fuel Filter
18. Return Fuel Check Valve

17-24 APPENDIX

Cable, Wire, and Hose Routing

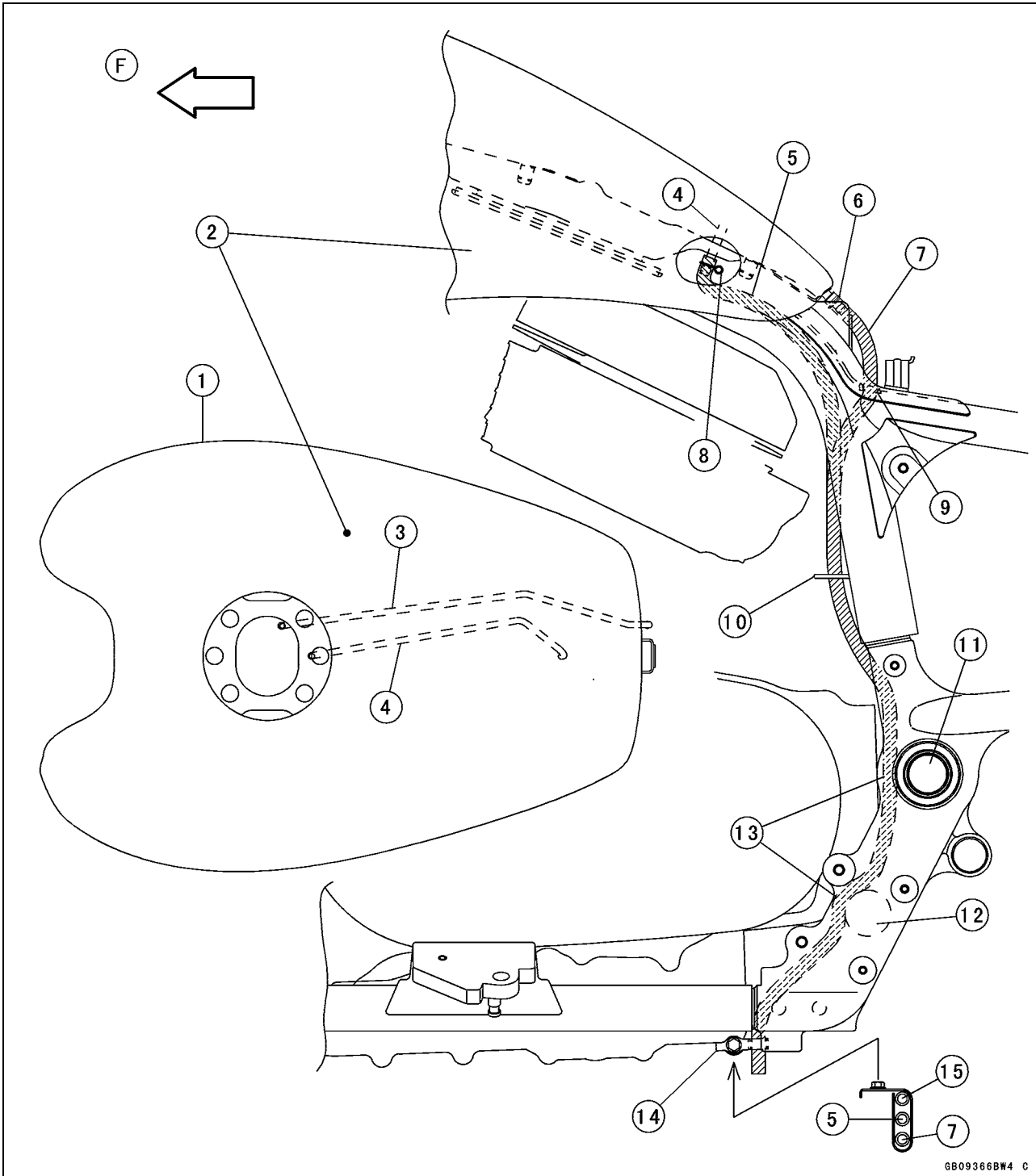


Cable, Wire, and Hose Routing

- F: Front
- 1. Rubber Boot
- 2. Starter Motor Lead
- 3. Clutch Hose
- 4. Upper Washer ($\phi 14 \times \phi 8.2$ mm)
- 5. Lower Washer ($\phi 25 \times \phi 8.2$ mm)
- 6. Engine Oil Pipe
- 7. Clamp (For harness protection since edge of the clutch slave cylinder)
- 8. Clutch Slave Cylinder Bleed Valve
- 9. Bolt
- 10. Crankshaft Sensor Connector
- 11. Speed Sensor Connector
- 12. Holder
- 13. Speed Sensor
- 14. Strap (speed sensor lead)
- 15. Oil Pressure/Neutral Switch Lead Connector
- 16. White Mark (next to the slave cylinder)
- 17. Plastic Snap-on Clamp
- 18. Regulator/Rectifier
- 19. Regulator/Rectifier Connector
- 20. Alternator Connector
- 21. Sidestand Switch Lead Connector
- 22. Insert the oil pressure/neutral switch leads, sidestand switch leads, and regulator/rectifier leads in this order between the alternator cover and the clutch slave cylinder.
- 23. Left Crankcase
- 24. Harness (alternator and crankshaft sensor leads)
- 25. Bolt
- 26. Holder
- 27. Do not run leads around here.
- 28. Alternator Outer Cover
- 29. Clamps

17-26 APPENDIX

Cable, Wire, and Hose Routing



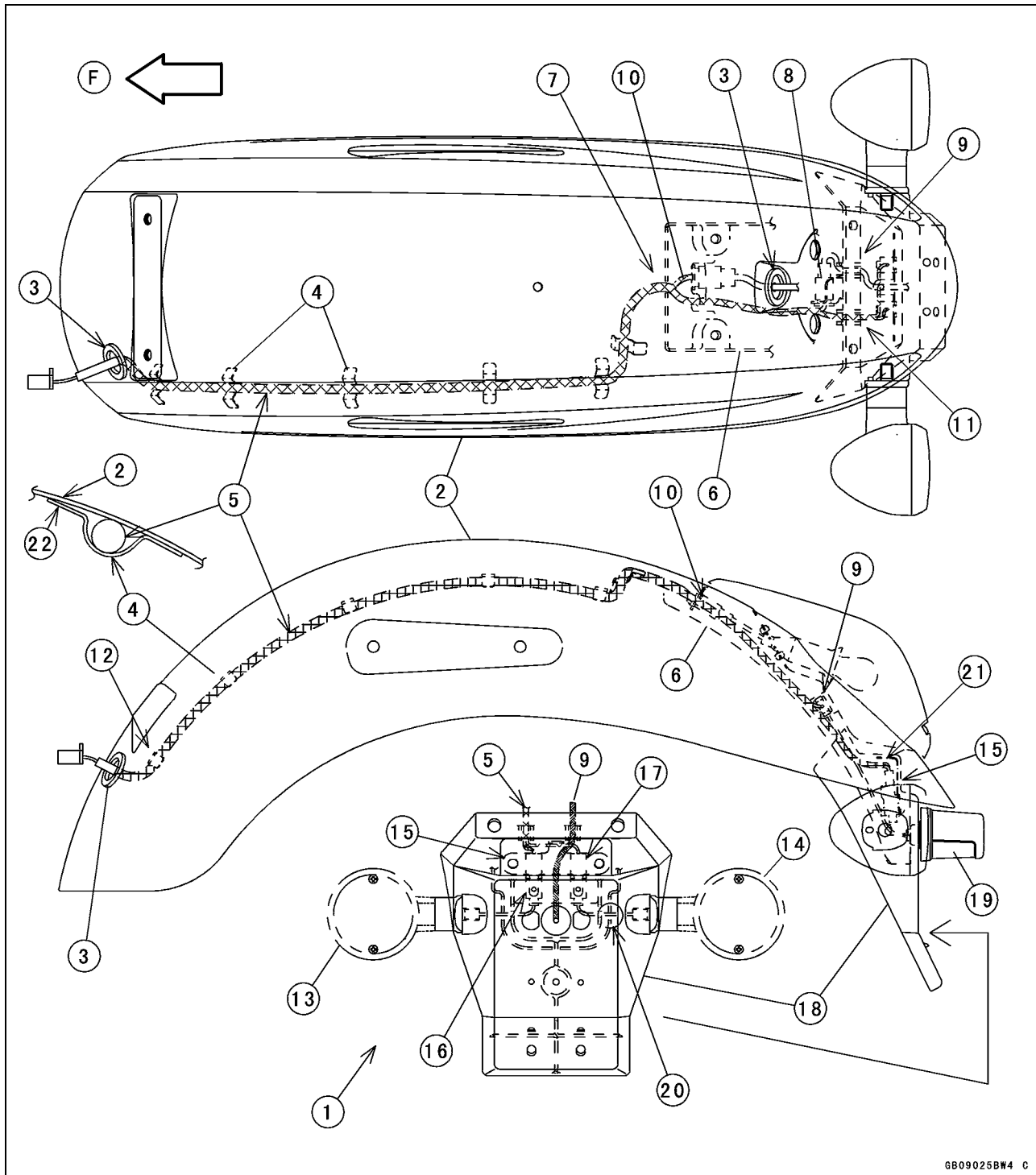
Cable, Wire, and Hose Routing

F: Front

1. Fuel Tank Fill Opening (top view)
2. Fuel Tank
3. Fuel Tank Breather Pipe
4. Filler Drainpipe
5. Fuel Tank Filler Drain Hose
6. Clip (Face the tab rightwards.)
7. Fuel Tank Breather Hose (except for California Model)
8. Clip
9. Hole of Bracket (Run the hose [7] into this hole.)
10. Holder (hose [7], [5], coolant reserve tank hose, clutch hose)
11. Swingarm Pivot
12. Cross Pipe
13. Run these hoses in front of [11] and [12].
14. Clamp
15. Coolant Reserve Tank Overflow Hose

17-28 APPENDIX

Cable, Wire, and Hose Routing

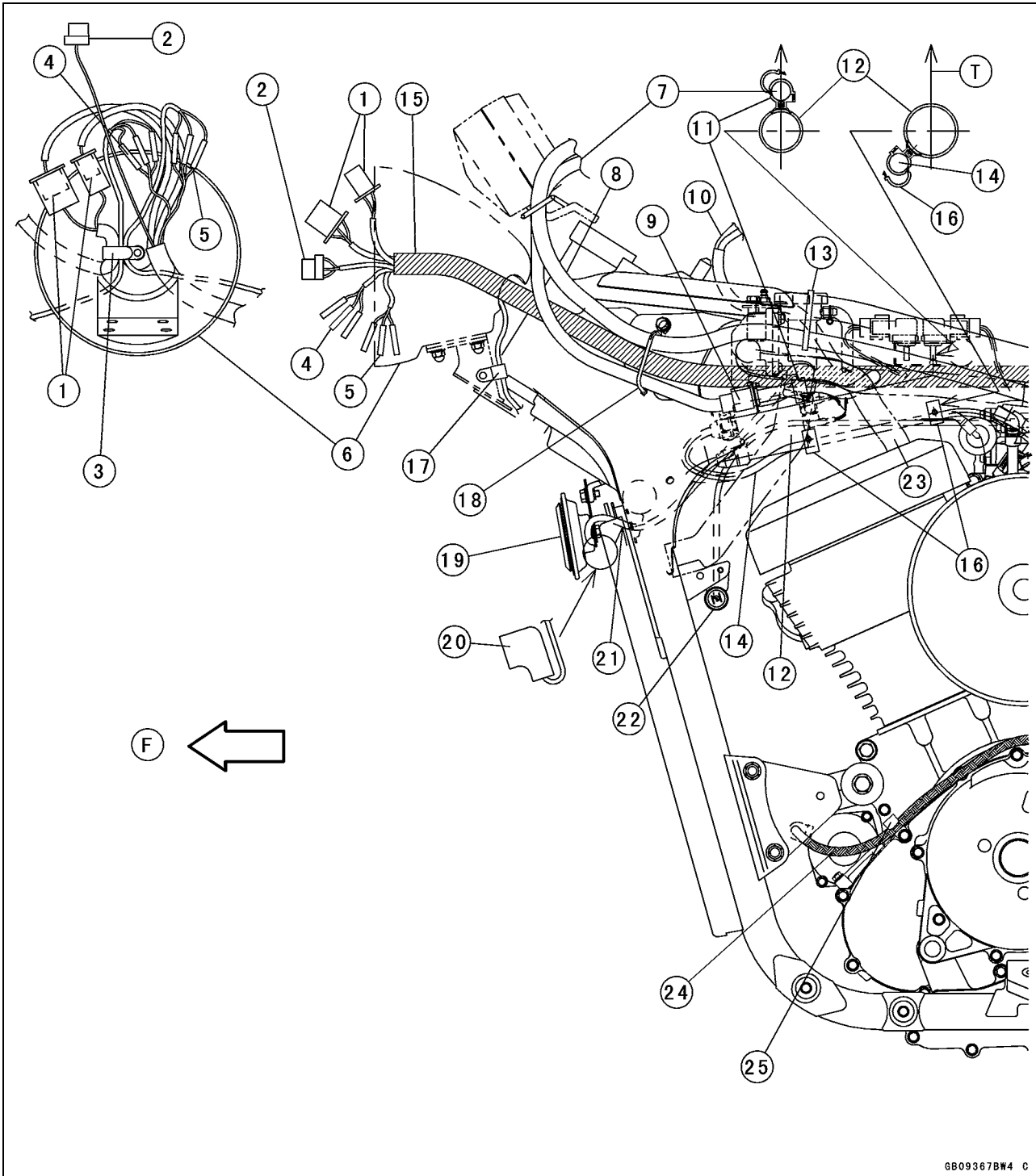


Cable, Wire, and Hose Routing

- F: Front
1. Rear View
 2. Rear Fender
 3. Grommets
 4. Six Clamps
 5. Rear Fender Harness
 6. Plastic Cover
 7. Run the harness [5] into the cut of the plastic cover [6]
 8. Connector of [9] (Fit the connector of [5] into the welded clamp.)
 9. License Plate Light Lead (Run this lead between the ribs of the flap [18].)
 10. Tail/Brake Light Leads (Clamp the connector of the rear harness with the welded clamp.)
 11. Run the harness [5] between the ribs of the flap [18].
 12. White Mark of [5]
 13. Rear Left Turn Signal Light
 14. Rear Right Turn Signal Light
 15. Bracket
 16. Connector of [13] fitted into [15]
 17. Connector of [14] fitted into [15]
 18. Flap
 19. License Plate Light
 20. Do not pinch leads of [13], [14].
 21. Lead of [13] and [14]
 22. Press by hands:
Clamp the harness [5] with these clamps [4] and press each end of clamps by hands against the rear fender.

17-30 APPENDIX

Cable, Wire, and Hose Routing



Cable, Wire, and Hose Routing

F: Front

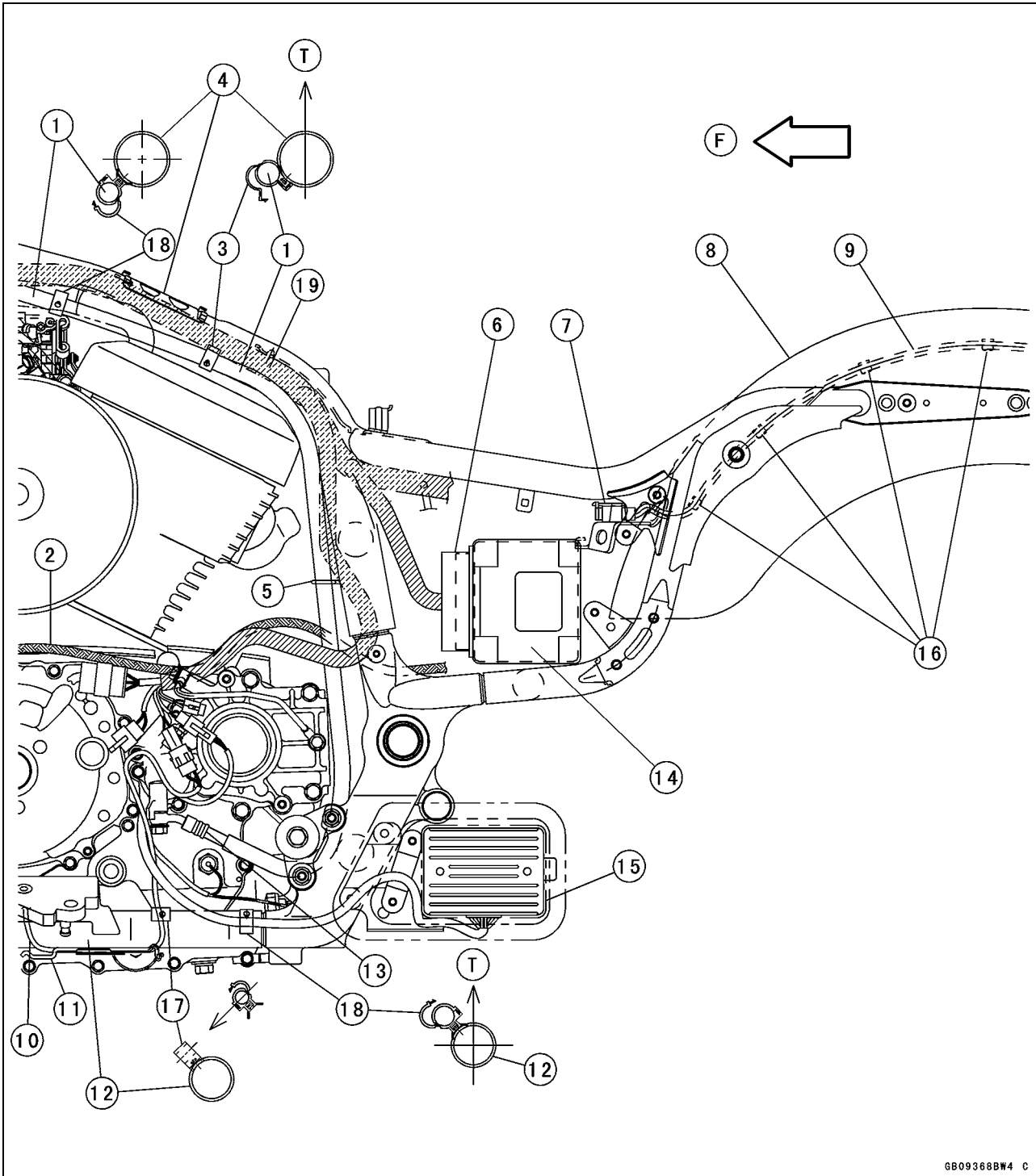
T: Top

○ Install the plastic snap-on clamps [11] [16], noting the position of the opening as shown.

1. Meter Connectors
2. Headlight Connector
3. Plate Clamp in [6] (lead [1] [4] [5])
4. Front Turn Signal Light Lead Connector (right)
5. Front Turn Signal Light Lead Connector (left)
6. Headlight Body (front view and left side view)
7. Left Handlebar Switch Harness
8. Clutch Hose
9. Connector of Harness [7]
10. Indicator Unit and Ignition Switch Harness
11. Plastic Snap-on Clamp (ϕ 15 mm)
12. Left Frame Pipe
13. Band (clutch hose [8]): Run the clutch hose outside the frame pipe around here.
14. Left Spark Plug Leads
15. Main Harness
16. Plastic Snap-on Clamp (ϕ 15 mm, rear view)
17. Right and Left Plate Clamps (outside [6], lead [4] [5])
18. Holder
19. Horn
20. Horn Terminals (Install them in the direction shown for waterproofing.)
21. Run the leads through the cuts of the radiator cover.
22. Choke Knob
23. Front Water Hose
24. Starter Motor Lead
25. Clamp

17-32 APPENDIX

Cable, Wire, and Hose Routing



Cable, Wire, and Hose Routing

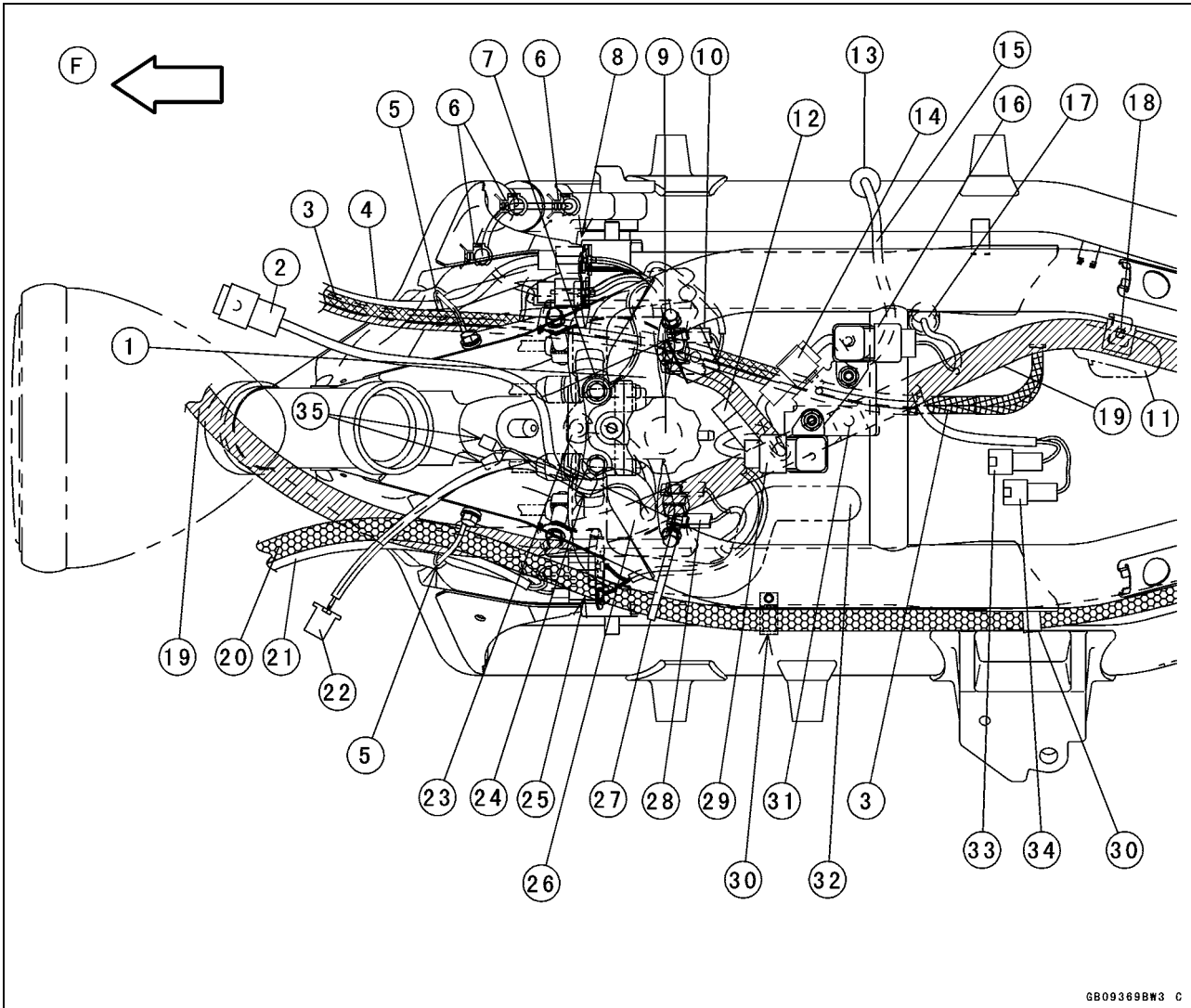
F: Front

T: Top

- : Install the plastic snap-on clamps [3][17][18], noting the position of the opening as shown.
 1. Clutch Hose
 2. Starter Motor Lead
 3. Plastic Snap-on Clamp (ϕ 17 mm, rear view)
 4. Left Frame Pipe
 5. Holder (Run the clutch hose [8]).
 6. ECU Connector
 7. Rear Harness Connector
 8. Rear Fender
 9. Rear Harness
- 10. Sidestand Switch Leads:
 - Run the leads through the front and rear hooks and hold them with the clamp [17] a bit tight behind the sidestand bracket.
- 11. Welded Clamp
- 12. Left Frame Pipe
- 13. White Mark on the Clutch Hose next to the slave cylinder
- 14. ECU: Fit it into the battery case behind the case rib on the bottom.
- 15. Regulator/Rectifier
- 16. Six Clamps
- 17. Plastic Snap-on Clamp (ϕ 10 mm, rear view)
- 18. Plastic Snap-on Clamp (ϕ 15 mm, rear view)
- 19. Main Harness

17-34 APPENDIX

Cable, Wire, and Hose Routing



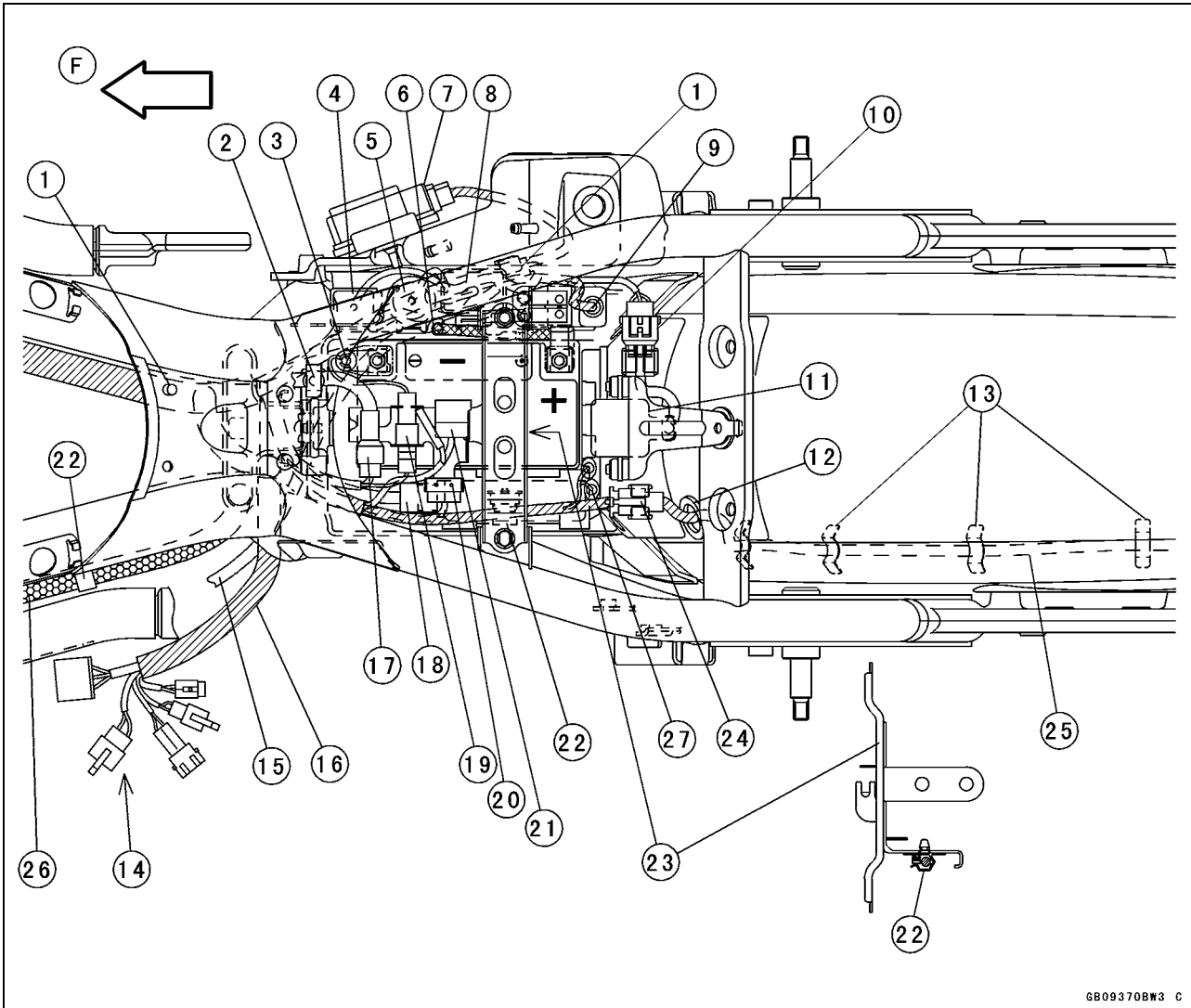
Cable, Wire, and Hose Routing

F: Front

1. Ignition Coil #2 (for rear cylinder)
2. Ignition Switch Connector (onto the fuel tank)
3. Throttle Cables (decelerator up and accelerator down, under the main harness [19])
4. Right Handlebar Switch Harness
5. Holders
6. Plastic Snap-on Clamps (ϕ 15 mm)
7. Main Harness Ground Terminal on the Frame
8. Right Handlebar Switch Connector (outside), Radiator Fan Connector (up), Rear Brake Light Switch Connector (down):
Fit these main harness side connectors into the connector holder and join the connectors.
9. Radiator Cap
10. Primary Leads for Ignition Coil #2 [1]
11. Rear Water Hose
12. Rectifiers
13. Inlet Air Temperature Sensor Connector
14. White Connector (for ISC valves and inlet air temperature sensor)
15. Harness (for ISC valves and inlet air temperature sensor)
16. Inlet Air Pressure Sensor
17. Throttle Sensor Connector
18. Plastic Snap-on Clamp (main harness [19], Raise the lock to remove the clamp).
19. Main Harness (Join the connectors of its front end in the headlight body.)
20. Clutch Hose
21. Left Handlebar Switch Harness
22. Indicator Light Connector (onto the fuel tank)
23. Water Temperature Sensor Connector (on the bottom of the thermostat housing)
24. Plastic Clamp (indicator light, ignition switch, and accessory harnesses)
25. Left Handlebar Switch Connectors:
Fit the main harness side connectors into the connector holder and connect them.
26. Ignition Coil #1
27. Band (clutch hose [20]): Run the clutch hose outside the frame pipe around here.
28. Primary Lead Terminals for Ignition Coil #1[26]
29. Atmospheric Pressure Sensor
30. Plastic Snap-on Clamps
31. Plastic Snap-on Clamp and White Mark (location mark of the harness):
Fit the clamp pin into the bracket downwards.
32. Front Radiator Hose
33. Fuel Injector #2 Connector
34. Fuel Injector #1 Connector
35. Accessory Lead Connectors (female)

17-36 APPENDIX

Cable, Wire, and Hose Routing



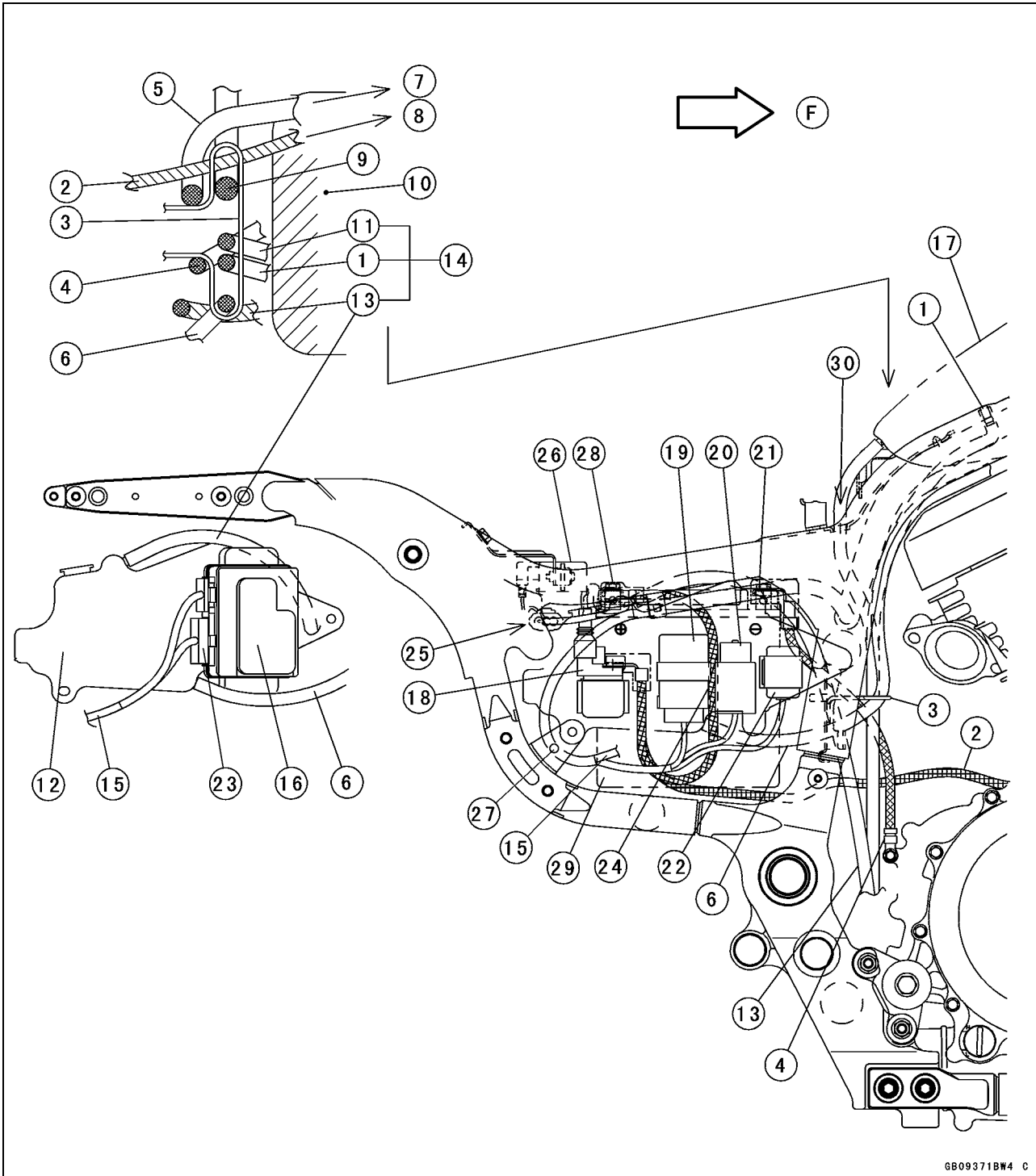
Cable, Wire, and Hose Routing

F: Front

1. Fit the clamp pin attached the main harness into the frame.
2. Plastic Snap-on Clamp (fuel pump harness)
3. Battery (-) Lead or Engine Ground Lead (to the engine ground terminal)
4. Oil Pressure Light Delay Unit
5. DFI Main Relay
6. Battery (+) Lead
7. Junction Box (installed on the coolant reserve tank)
8. Turn Signal Control Unit
9. Starter Relay
10. Vehicle-down Sensor Connector (installed on the battery case)
11. Vehicle-down Sensor
12. Grommet
13. Six Clamps
14. Connectors (in the alternator outer cover for regulator/rectifier, alternator, crankshaft sensors, sidestand switch, neutral/oil pressure switch, and speed sensor)
15. Starter Motor Lead
16. Branch of Main Harness
17. Fuel Pump Connector (installed on the battery holder)
18. ECU Connector
19. Battery (-) Lead Connector (installed on the battery holder)
20. DFI Main Fuse (installed on the battery holder)
21. Connector (installed on the battery holder)
22. Plastic Snap-on Clamp
23. Battery Holder (Install it on the battery and tighten the holder bolts securely.)
24. Rear Harness Connector (installed on the battery case)
25. Rear Harness
26. Left Handlebar Switch Harness
27. Accessory Lead Connectors (female)

17-38 APPENDIX

Cable, Wire, and Hose Routing



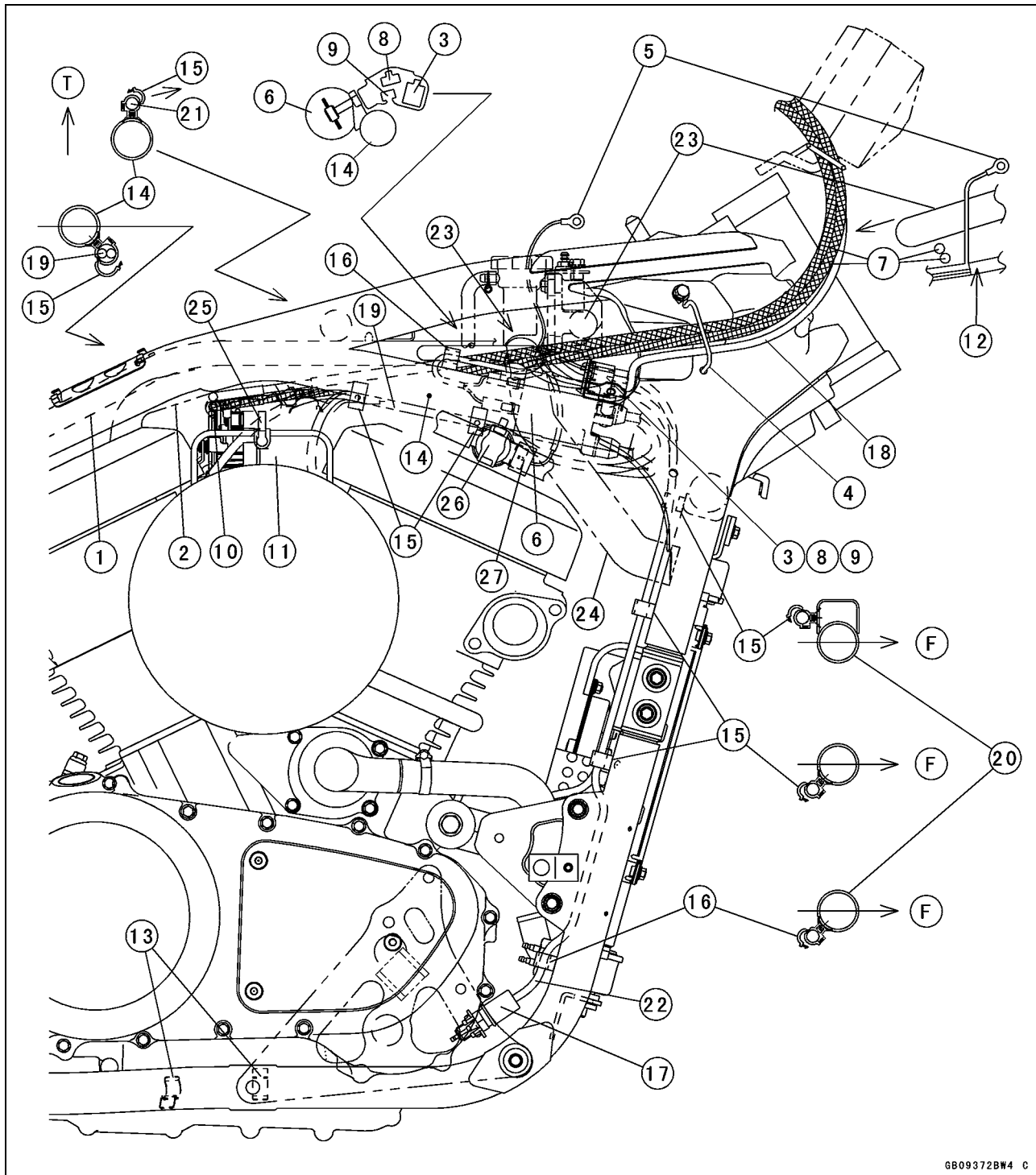
Cable, Wire, and Hose Routing

F: Front

1. Fuel Tank Filler Drain Hose
2. Starter Motor Lead
3. Holder
4. Engine Ground Lead (Run it downward)
5. Main Harness
6. Coolant Reserve Tank Hose (from the radiator cap to the coolant reserve tank)
7. To the inside of the alternator outer cover
8. Through the alternator outer cover to the starter motor
9. Clutch Hose
10. Crankcase
11. Fuel Tank Breather Hose (except CA, Run the hose through the right hole of the bracket.)
12. Coolant Reserve Tank
13. Coolant Reserve Tank Overflow Hose
14. Put these hoses into the holder on the bottom of engine.
15. Junction Box Leads
16. Junction Box
17. Fuel Tank
18. Starter Relay
19. Turn Signal Control Unit
20. DFI Main Relay
21. Battery (-) Terminal
22. Oil Pressure Light Delay Unit
23. Junction Box Connectors
24. Battery (+) Lead
25. Vehicle-down Sensor Connector
26. Vehicle-down Sensor
27. Fit the pin of the attached main harness clamp into the bracket.
28. Battery (+) Terminal
29. Battery
30. Fuel Tank Breather Hose (through the right hole of the bracket.)

17-40 APPENDIX

Cable, Wire, and Hose Routing

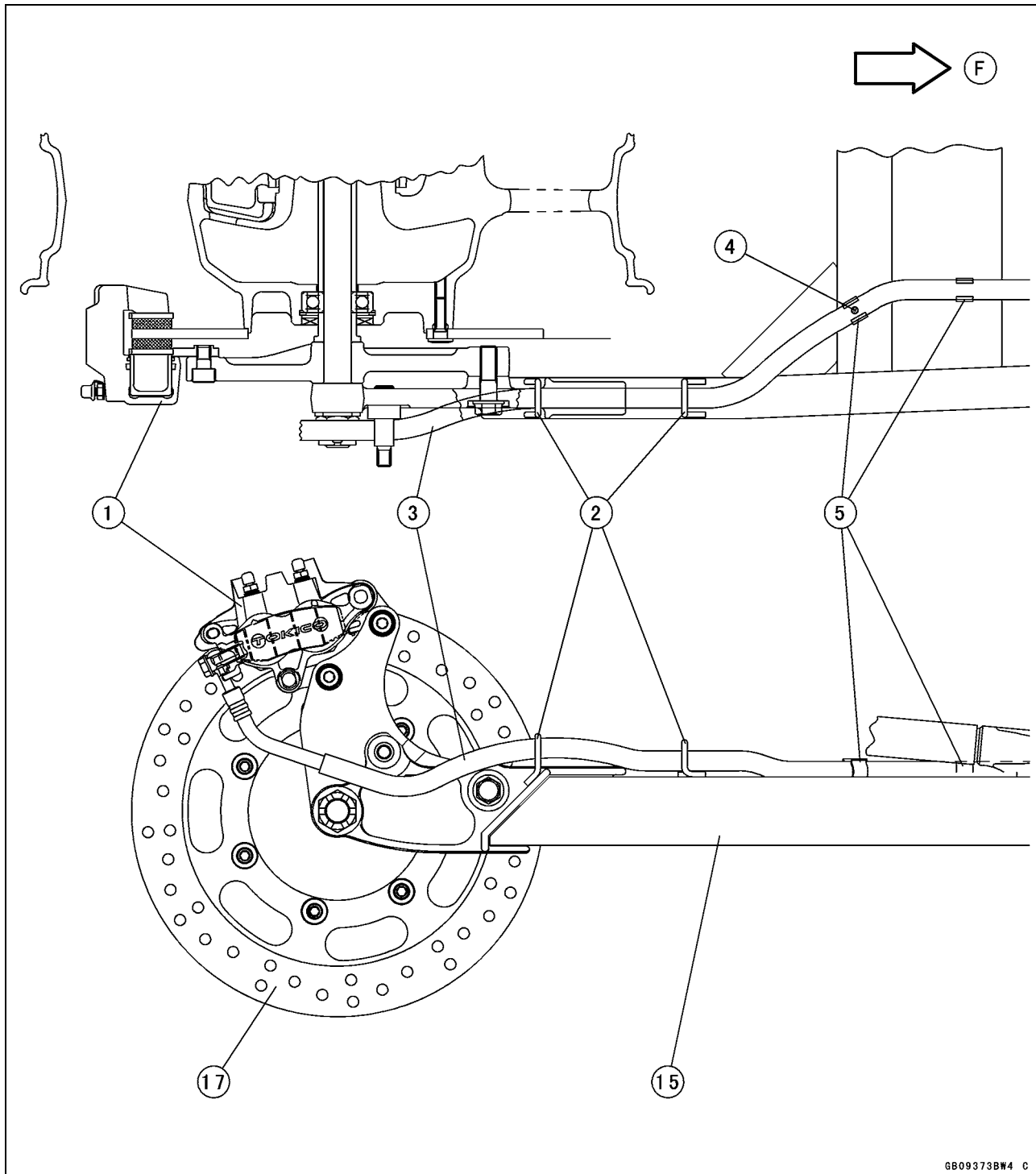


Cable, Wire, and Hose Routing

- F: Front
- T: Top
- 1. Main Harness
- 2. Rear Water Hose
- 3. Right Handlebar Switch Connector
- 4. Holder
- 5. Frame Ground Lead
- 6. Ignition Coil #2 (for rear cylinder)
- 7. Throttle Cables
- 8. Radiator Fan Connector
- 9. Rear Brake Light Switch Connector
- 10. Throttle Pulley
- 11. Throttle Body Assy
- 12. Right Handlebar Switch Harness
- 13. Guides (For Rear Brake Hose)
- 14. Right Frame Pipe
- 15. Plastic Snap-on Clamps (ϕ 15 mm)
- 16. Plastic Snap-on Clamp (ϕ 10 mm)
- 17. Rear Brake Light Switch
- 18. Right Handlebar Switch Harness
- 19. Right Spark Plug Leads
- 20. Frame Pipe or Downtube
- 21. Ignition Coil Primary Leads
- 22. Rear Brake Light Switch Leads
- 23. Run the harness inside the radiator hose.
- 24. Radiator Hose
- 25. Clamp
- 26. Air Switching Valve
- 27. Air Switching Valve Lead Connector

17-42 APPENDIX

Cable, Wire, and Hose Routing

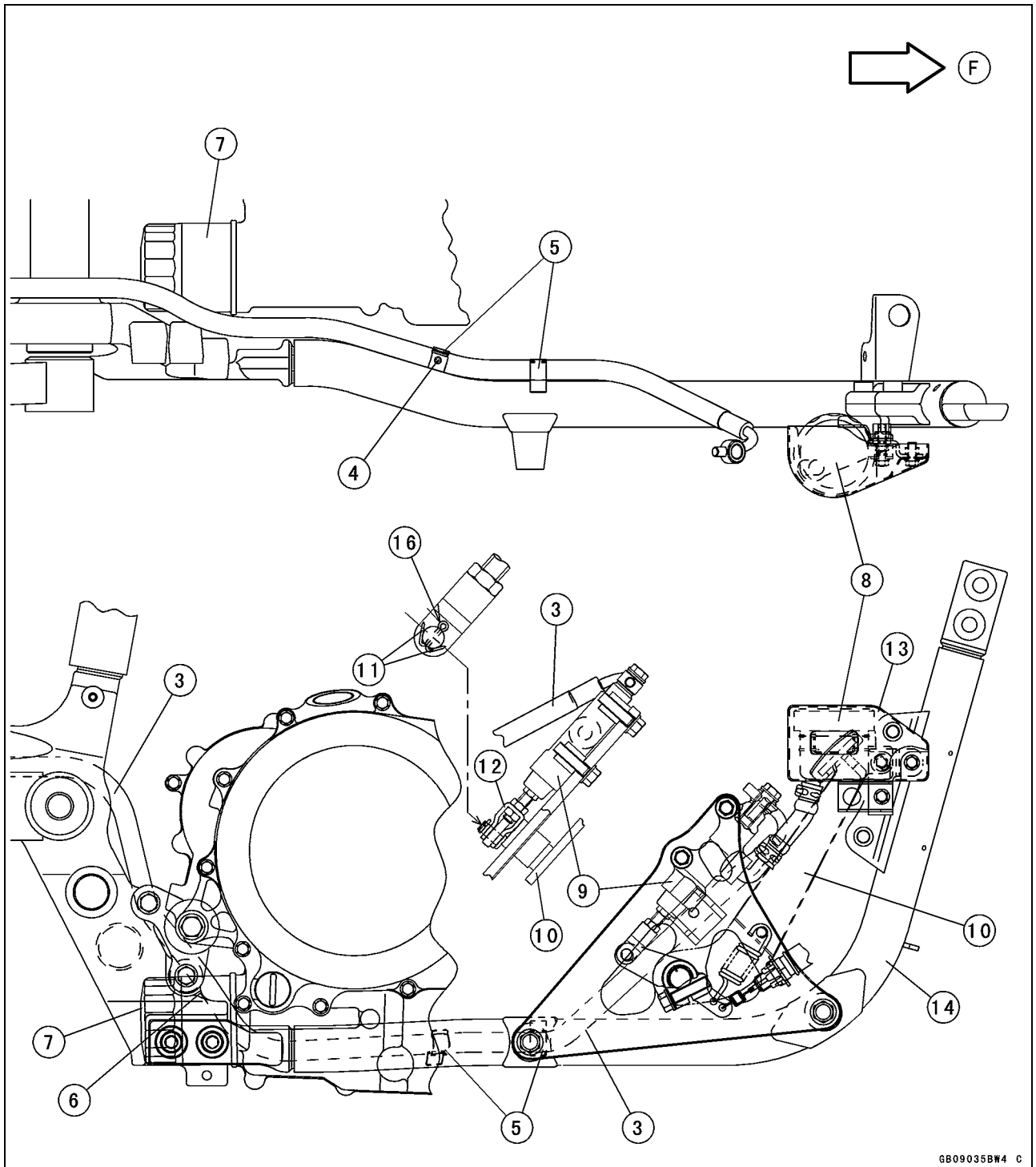


F: Front

1. Rear Brake Caliper
2. Hose Holders
3. Rear Brake Hose
4. Hose White Marks (Position here.)
5. Hose Clamps
6. Run the brake hose between the engine mounting bracket bosses and the oil filter, and then along the downtube towards the front.
7. Oil Filter

GB09373BW4 C

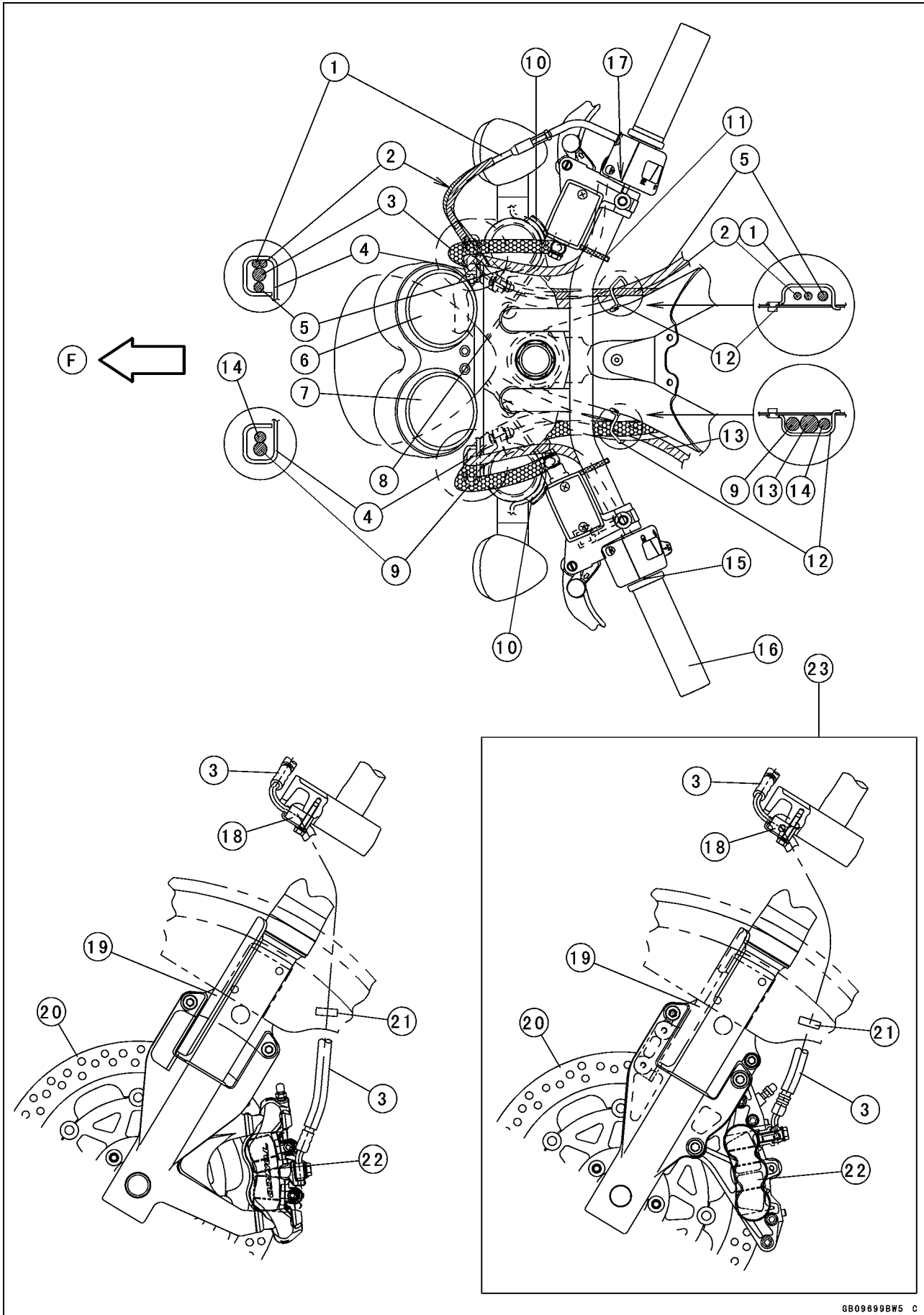
Cable, Wire, and Hose Routing



- 8. Rear Brake Reservoir
- 9. Rear Master Cylinder
- 10. Brake Pedal
- 11. Bend both ends of the cotter pin [16] as shown.
- 12. Clevis
- 13. Rear Brake Reservoir Cover
- 14. Downtube
- 15. Swingarm
- 16. Cotter Pin
- 17. Rear Brake Disc

17-44 APPENDIX

Cable, Wire, and Hose Routing



Cable, Wire, and Hose Routing

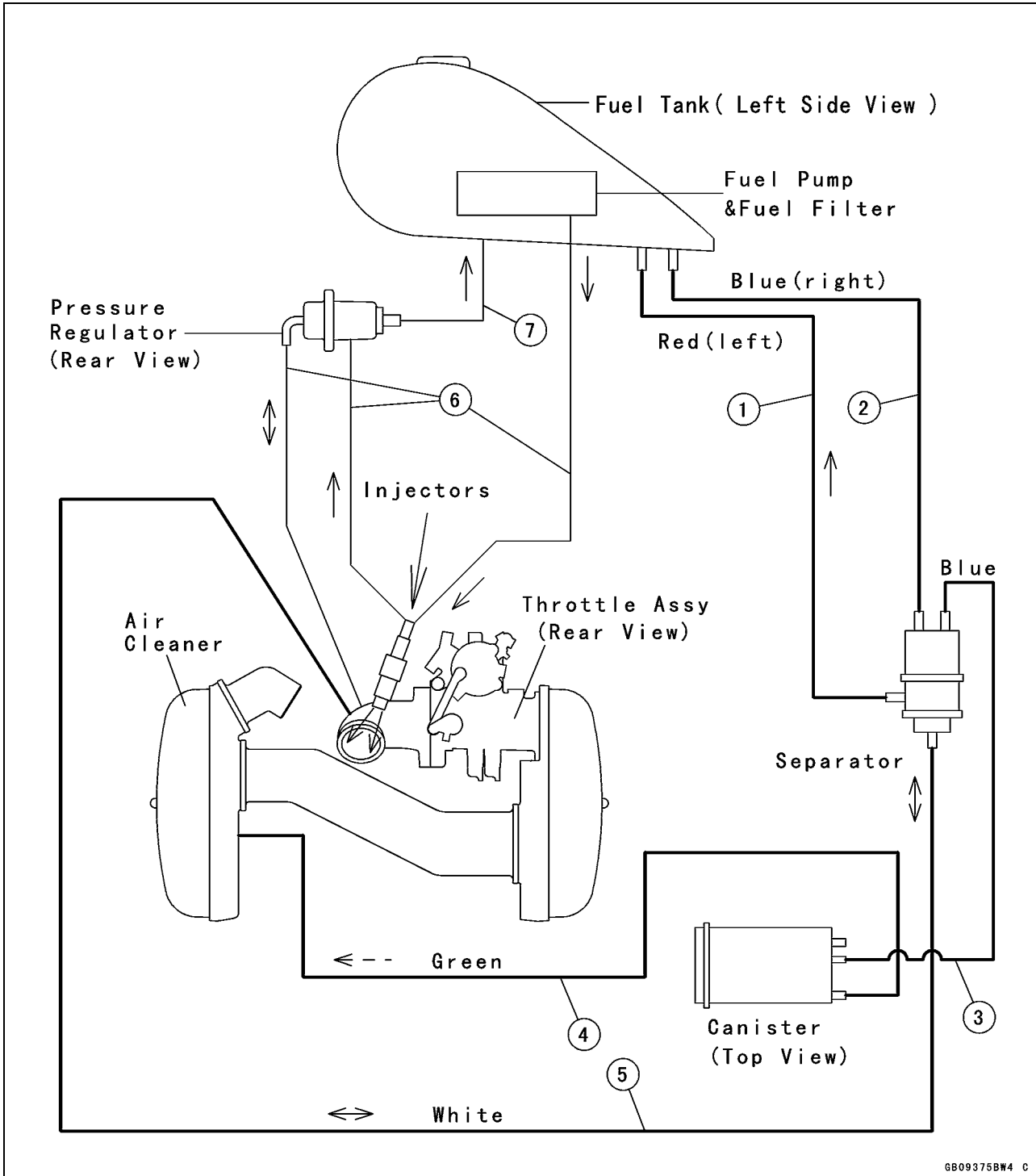
F: Front

1. Throttle Cable (accelerator)
2. Throttle Cable (decelerator)
3. Front Brake Hose Assembly
4. Meter Bracket
5. Right Handlebar Switch Harness
6. Tachometer
7. Speedometer
8. Front Turn Signal Leads (Connect them in the headlight body.)
9. Clutch Hose
10. Clamps (leads [8])
11. Plastic Snap-on Strap (harness [5])
12. Holders
13. Main Harness
14. Left Handlebar Switch Harness
15. Punch Mark: Insert the grip until its end aligns with the mark.
16. Apply adhesive to the grip inside.
17. Punch Mark: Match the master cylinder surface to the Punch mark on the handlebar.
18. Three-way Joint of Hose Assembly [3]
19. Protector
20. Front Brake Disc
21. Plastic Snap-on Clamp
22. Front Brake Calipers
23. VN1600-B1 Model

17-46 APPENDIX

Cable, Wire, and Hose Routing

Evaporative Emission Control System (California Model) with fuel line



GB09375BW4 C

-->: Vapor Flow

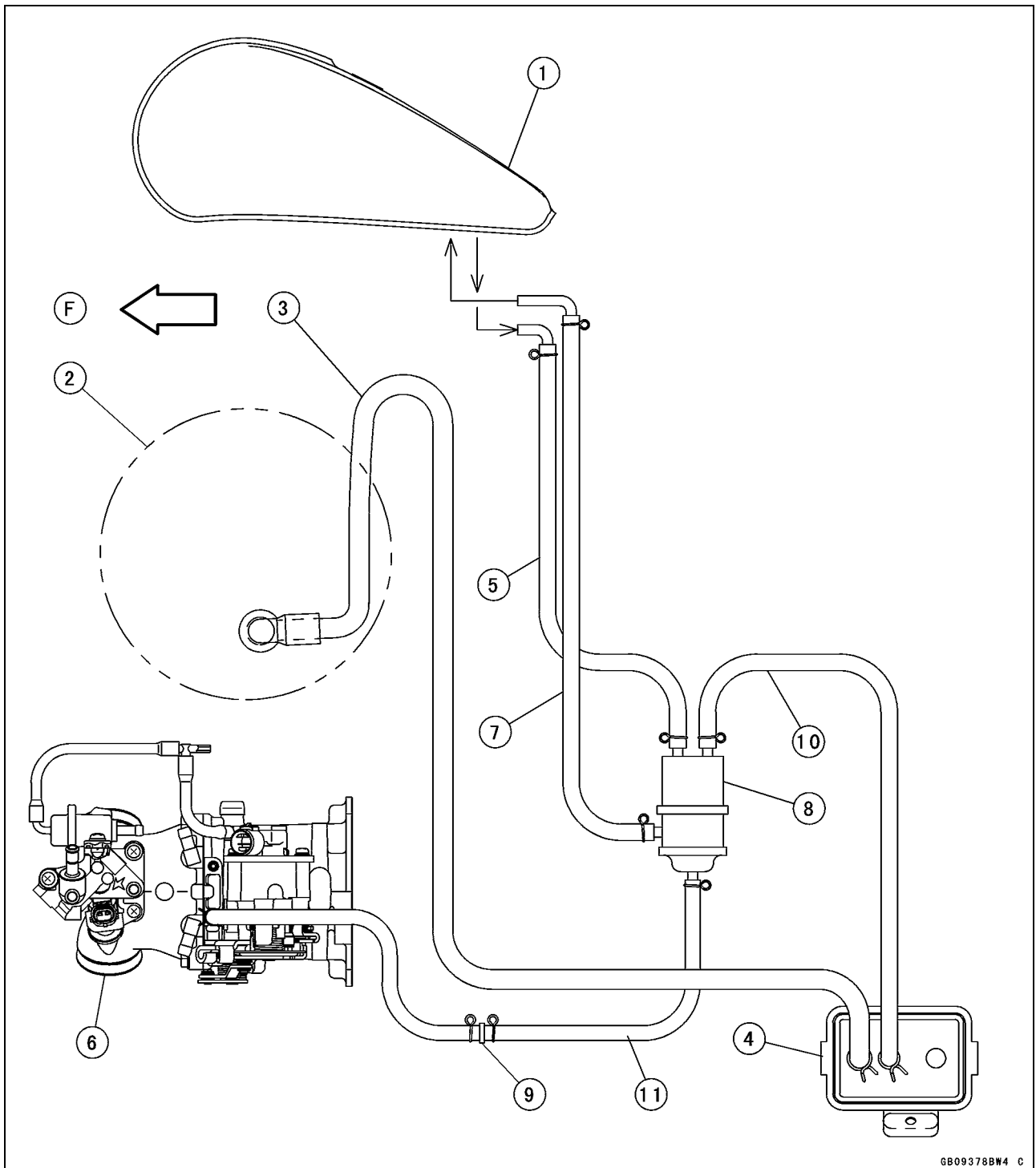
→: Fuel Flow

↔: Vacuum Pulsation

1. Fuel Return Hose
2. Fuel Tank Breather Hose
3. Separator Breather Hose
4. Canister Purge Hose
5. Vacuum Hose
6. High Pressure Fuel Hoses (supply fuel)
7. Low Pressure Fuel Hose (return fuel)

Cable, Wire, and Hose Routing

Evaporative Emission Control System (California Model)



GB09378BW4 C

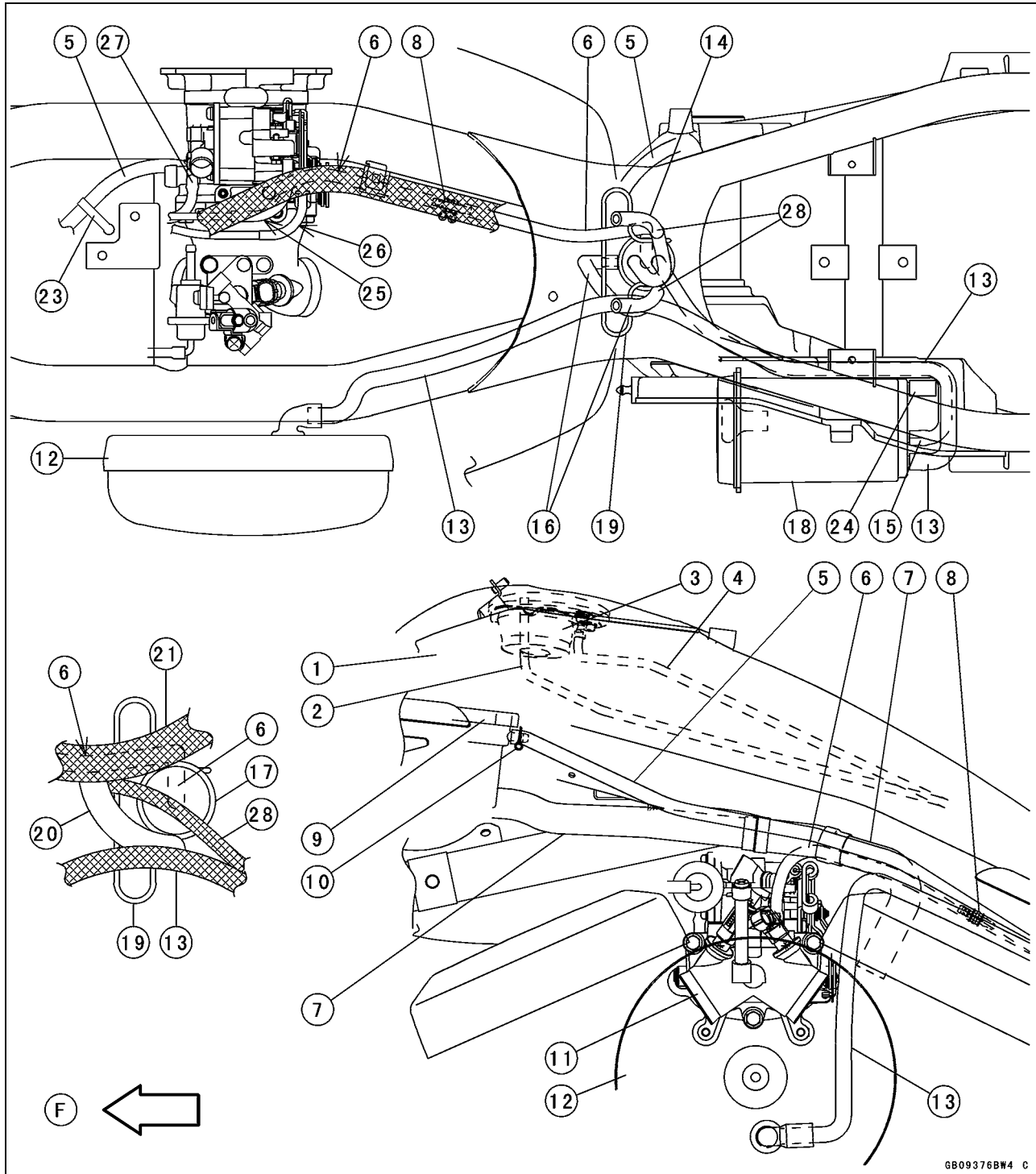
F: Front

1. Fuel Tank
2. Left Air Cleaner Base
3. Canister Purge Hose (Green)
4. Canister (Rear View)
5. Fuel Tank Breather Hose (right, blue)
6. Throttle Body Assy (Top View)
7. Fuel Tank Return Hose (left, red)
8. Separator
9. Fitting
10. Separator Breather Hose (blue)
11. Vacuum Hose

17-48 APPENDIX

Cable, Wire, and Hose Routing

Evaporative Emission Control System (California Model)



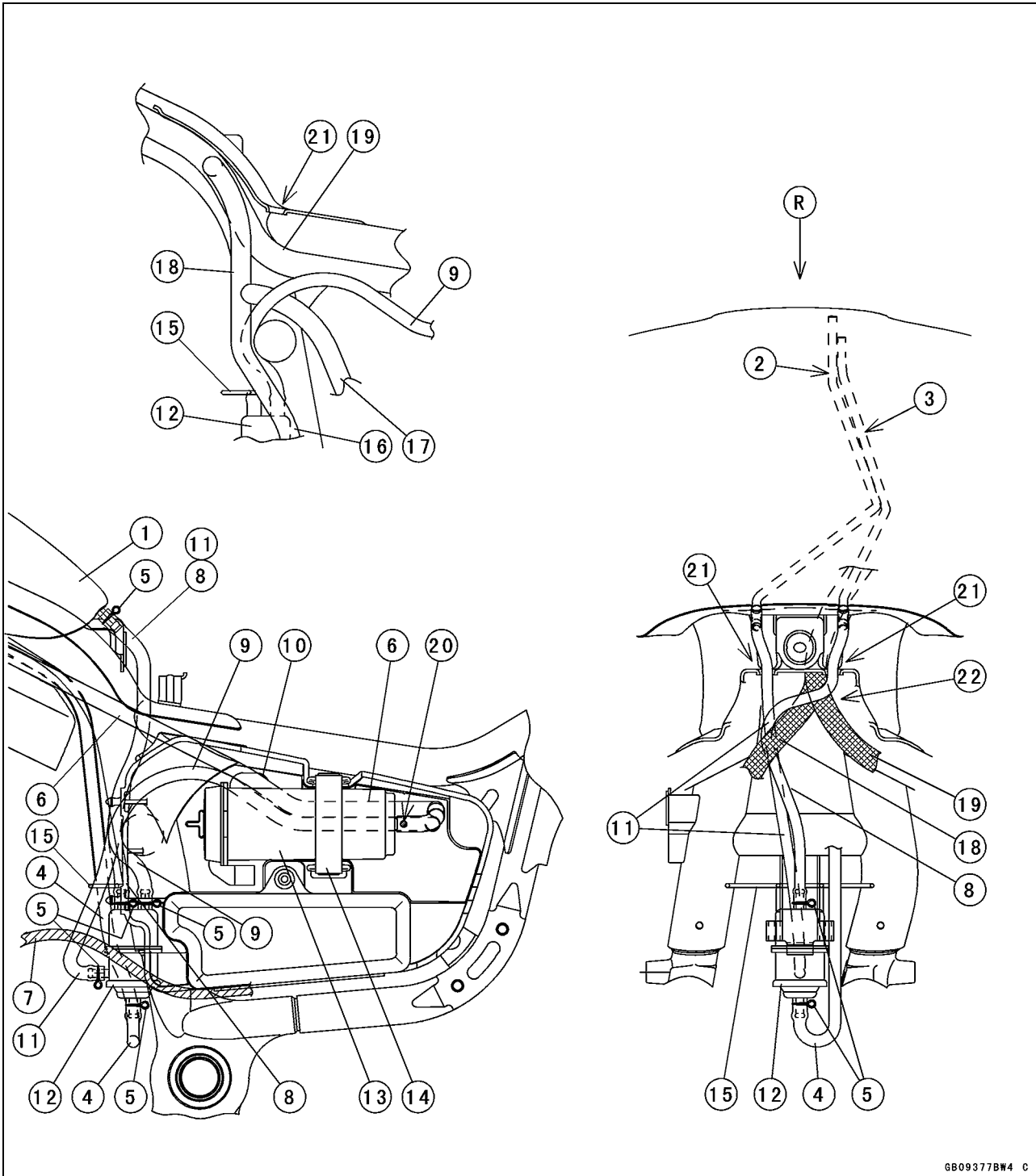
Cable, Wire, and Hose Routing

- F: Front
- 1. Fuel Tank
- 2. Filler Drainpipe
- 3. Fuel Filler
- 4. Fuel Tank Breather Pipe
- 5. Coolant Reserve Tank Hose
- 6. Separator Vacuum Hose (white): Run it over the throttle cables and choke cable.
- 7. Rear Cylinder Water Hose: Run it leftward the hose [6].
- 8. Fitting of the hose [6]
- 9. Radiator Cap
- 10. Clips
- 11. Throttle Body Assy
- 12. Left Air Cleaner Base
- 13. Canister Purge Hose (green)
- 14. Fuel Tank Breather Hose (blue, right)
- 15. Separator Breather Hose (blue)
- 16. Evaporative Fuel Return Hose (red, left)
- 17. Separator
- 18. Canister
- 19. Holder
- 20. Left Main Harness for ECU and alternator
- 21. Right Main Harness
- 22. Run the hoses [14] [15] through these holes.
- 23. Strap
- 24. Rubber Plug
- 25. Choke Cable: Run this over the hose [28] and under the vacuum sensor hose.
- 26. Throttle Cables: Run the decelerator cable over the accelerator cable.
- 27. Throttle Vacuum Hose
- 28. Rear Main Harness

17-50 APPENDIX

Cable, Wire, and Hose Routing

Evaporative Emission Control System



Cable, Wire, and Hose Routing

R: Rear View

1. Fuel Tank
2. Filler Drainpipe
3. Fuel Tank Breather Pipe
4. Separator Vacuum Hose (white): Run it over the throttle cables and choke cable.
5. Clips
6. Canister Purge Hose (green)
7. Starter Motor Lead: Run the lead on the left of the separator [12] and all the evaporative hoses.
8. Fuel Tank Breather Hose (blue, right): Run the hose between [16] and [17].
9. Separator Breather Hose (blue): Run the hose between [16] and [17].
10. Hole of Tool Case
11. Evaporative Fuel Return Hose (red, left): Run the hose between [16] and [17].
12. Separator
13. Canister
14. Band
15. Holder
16. Branch of Main Harness into Alternator Outer Cover
17. Branch of Main Harness to ECU
18. Left Main Harness for ECU and alternator
19. Right Main Harness
20. Face the white mark left.
21. Run the hoses [8] [9] through these holes.
22. Run the hoses [8] [9] between harnesses [18] and [19].

17-52 APPENDIX

Troubleshooting Guide (except DFI)

NOTE

- Refer to Fuel System chapter for most of DFI troubleshooting guide.
- This is not an exhaustive list, giving every possible cause for each problem listed. It is meant simply as a rough guide to assist the troubleshooting for some of the more common difficulties.

Engine Doesn't Start, Starting Difficulty

Starter motor not rotating

- Starter lockout switch or neutral switch trouble
- Starter motor trouble
- Battery voltage low
- Starter relays not contacting or operating
- Starter button not contacting
- Wiring open or shorted
- Ignition switch trouble
- Engine stop switch trouble
- Fuse blown

Starter motor rotating but engine doesn't turn over

- Starter clutch trouble
- Vehicle-down sensor (DFI) coming off

Engine won't turn over

- Valve seizure
- Rocker arm seizure
- Cylinder, piston seizure
- Crankshaft seizure
- Connecting rod small end seizure
- Connecting rod big end seizure
- Transmission gear or bearing seizure
- Camshaft seizure
- Balancer bearing seizure

No fuel flow

- No fuel in tank
- Fuel pump trouble
- Fuel tank air vent obstructed
- Fuel filter clogged
- Fuel line clogged

Engine flooded

- Clean spark plugs and adjust plug gaps
- Starting technique faulty (When flooded, do not crank the engine with the throttle fully opened. This promotes engine flood because more fuel is supplied automatically by DFI.)

No spark; spark weak

- Vehicle-down sensor (DFI) coming off
- Ignition switch not ON
- Engine stop switch turned off
- Clutch lever not pulled in and gear not in neutral whether sidestand up or down
- Though clutch lever pulled in, sidestand up and gear not in neutral

- Battery voltage low
- Spark plug dirty, broken, or gap maladjusted
- Spark plug cap or high tension wiring trouble
- Spark plug cap shorted or not in good contact
- Spark plug incorrect
- IC igniter in ECU trouble
- Neutral, starter lockout, or sidestand switch trouble
- Crankshaft sensor trouble
- Ignition coil trouble
- Ignition switch or engine stop switch shorted
- Wiring shorted or open
- Fuse blown

Fuel/air mixture incorrect

- Air cleaner clogged, poorly sealed, or missing

Compression Low

- Spark plug loose
- Cylinder head not sufficiently tightened down
- Cylinder, piston worn
- Piston ring bad (worn, weak, broken, or sticking)
- Piston ring/groove clearance excessive
- Cylinder head gasket damaged
- Cylinder head warped
- Valve spring broken or weak
- Valve not seating properly (valve bent, worn, or carbon accumulation on the seating surface)
- KACR (compression release cam) sticks open (engine stalls when moving off)
- HLA (hydraulic lash adjuster) damaged (worn, seizure, or spring broken)
- HLA oil passage clogged

Poor Running at Low Speed

Spark weak

- Battery voltage low
- Spark plug dirty, broken, or maladjusted
- Spark plug cap or high tension wiring trouble
- Spark plug cap shorted or not in good contact
- Spark plug incorrect
- IC igniter in ECU trouble
- Crankshaft sensor trouble
- Ignition coil trouble

Fuel/air mixture incorrect

- Air cleaner clogged, poorly sealed, or missing
- Fuel tank air vent obstructed
- Throttle body assy loose

Troubleshooting Guide (except DFI)

Choke knob left pulled out (DFI)
 Throttle body assy O-ring damage
 Air cleaner duct loose
 Air cleaner O-ring damaged
 Fuel pump (DFI) trouble

Compression low

Spark plug loose
 Cylinder head not sufficiently tightened down
 Cylinder, piston worn
 Piston ring bad (worn, weak, broken, or sticking)
 Piston ring/groove clearance excessive
 Cylinder head warped
 Cylinder head gasket damaged
 Valve spring broken or weak
 Valve not seating properly (valve bent, worn, or carbon accumulation on the seating surface)
 KACR sticks open (engine stalls when moving off)
 HLA seizure

Backfiring when deceleration

Air switching valve broken
 Air switching valve lead damaged
 Air suction valve trouble

Other

IC igniter in ECU trouble
 Engine oil viscosity too high
 Drive train trouble
 Final gear case oil viscosity too high
 Brake dragging
 Engine overheating
 Clutch slipping
 Air suction valve trouble
 Air switching valve trouble
 Air switching valve lead damaged

Poor Running or No Power at High Speed**Firing incorrect**

Spark plug dirty, broken, or maladjusted
 Spark plug cap or high tension wiring trouble
 Spark plug cap shorted or not in good contact
 Spark plug incorrect
 IC igniter in ECU trouble
 Crankshaft sensor trouble
 Ignition coil trouble

Fuel/air mixture incorrect

Choke knob left pulled out (DFI)
 Air cleaner clogged, poorly sealed, or missing
 Air cleaner duct loose
 Air cleaner O-ring damaged
 Water or foreign matter in fuel

Throttle body assy loose
 Throttle body assy O-ring damage
 Fuel to injector insufficient (DFI)
 Fuel tank air vent obstructed
 Fuel line clogged
 Fuel pump trouble (DFI)

Compression low

Spark plug loose
 Cylinder head not sufficiently tightened down
 Cylinder, piston worn
 Piston ring bad (worn, weak, broken, or sticking)
 Piston ring/groove clearance excessive
 Cylinder head gasket damaged
 Cylinder head warped
 Valve spring broken or weak
 Valve not seating properly (valve bent, worn, or carbon accumulation on the seating surface.)
 KACR sticks open (engine stalls when moving off)
 HLA seizure

Knocking

Carbon built up in combustion chamber
 Fuel poor quality or incorrect (Be sure to use high-octane gasoline recommended by Owner's Manual)
 Spark plug incorrect
 IC igniter in ECU trouble

Miscellaneous

Throttle valves won't fully open
 Brake dragging
 Clutch slipping
 Engine overheating
 Engine oil level too high
 Engine oil viscosity too high
 Drive train trouble
 Final gear case oil viscosity too high
 Air suction valve trouble
 Air switching valve trouble
 Air switching valve lead damaged
 Catalytic converters melt down due to muffler overheating (KLEEN)

Overheating**Firing incorrect**

Spark plug dirty, broken, or maladjusted
 Spark plug incorrect
 IC igniter in ECU trouble

Muffler overheating

For KLEEN, do not run the engine even if with only one cylinder misfiring or poor running (Request the nearest service facility to correct it)
 For KLEEN, do not push-start with a dead battery (Connect another full-charged

17-54 APPENDIX

Troubleshooting Guide (except DFI)

battery with jumper cables, and start the engine, using the electric starter)

For KLEEN, do not start the engine under misfire due to spark plug fouling or poor connection of the spark plug

For KLEEN, do not coast the motorcycle with the ignition switch off (Turn the ignition switch ON and run the engine)

IC igniter in ECU trouble

Fuel/air mixture incorrect

Throttle body assy loose

Throttle body assy O-ring damage

Air cleaner duct loose

Air cleaner poorly sealed, or missing

Air cleaner O-ring damaged

Air cleaner clogged

Compression high

Carbon built up in combustion chamber

KACR sticks close

Engine load faulty

Clutch slipping

Engine oil level too high

Engine oil viscosity too high

Drive train trouble

Final gear case oil viscosity too high

Brake dragging

Lubrication inadequate

Engine oil level too low

Engine oil poor quality or incorrect

Water temperature warning system incorrect

Water temperature warning light broken

Water temperature switch broken

Coolant incorrect

Coolant level too low

Coolant deteriorated

Wrong coolant mixed ratio

Cooling system component incorrect

Radiator fin damaged

Radiator clogged

Thermostat trouble

Radiator cap trouble

Radiator fan switch trouble

Fan motor broken

Fan blade damaged

Water pump not turning

Water pump impeller damaged

Over Cooling

Cooling system component incorrect

Radiator fan switch trouble

Thermostat trouble

Clutch Operation Faulty

Clutch slipping

Friction plate worn or warped

Steel plate worn or warped

Spring plate free play maladjustment

Clutch spring broken or weak

Clutch slave cylinder trouble

Clutch hub or housing unevenly worn

Clutch master cylinder trouble

Clutch not disengaging properly

Clutch plate warped or too rough

Spring plate free play maladjustment

Engine oil deteriorated

Engine oil viscosity too high

Engine oil level too high

Clutch housing frozen on drive shaft

Clutch slave cylinder trouble

Clutch hub nut loose

Clutch hub spline damaged

Clutch friction plate installed wrong

Clutch fluid leakage

Clutch fluid deteriorated

Clutch master cylinder primary or secondary cup damaged

Clutch master cylinder scratched inside

Air in the clutch fluid line

Gear Shifting Faulty

Doesn't go into gear; shift pedal doesn't return

Clutch not disengaging

Shift fork bent or seized

Gear stuck on the shaft

Gear set lever binding

Shift return spring weak or broken

Shift return spring pin loose

Shift mechanism arm spring broken

Shift mechanism arm broken

Jumps out of gear

Shift fork ear worn, bent

Gear groove worn

Gear dogs and/or dog holes worn

Shift drum groove worn

Gear set lever spring weak or broken

Shift fork guide pin worn

Drive shaft, output shaft, and/or gear splines worn

Overshifts

Gear set lever spring weak or broken

Shift mechanism arm spring broken

Abnormal Engine Noise

Knocking

IC igniter in ECU trouble

Carbon built up in combustion chamber

Fuel poor quality or incorrect (Be sure to use high-octane gasoline recommended in Owner's Manual)

Spark plug incorrect

Overheating

Troubleshooting Guide (except DFI)

Piston slap

Cylinder/piston clearance excessive
 Cylinder, piston worn
 Connecting rod bent
 Piston pin, piston pin hole worn

Valve noise

Engine not sufficiently warmed up after HLA installation
 HLA damaged (worn, seizure, or spring broken)
 HLA aeration due to low oil level
 Air in HLA
 Metal chips or dust jammed in HLA
 Engine operated in red zone
 Valve spring broken or weak
 Camshaft bearing portion worn

Other noise

Connecting rod small end clearance excessive
 Connecting rod big end clearance excessive
 Piston ring worn, broken, or stuck
 Piston seizure, damage
 Cylinder head gasket leaking
 Exhaust pipe leaking at cylinder head connection
 Crankshaft runout excessive
 Engine mounts loose
 Crankshaft bearing worn
 Primary gear worn or chipped
 Camshaft chain tensioner trouble
 Camshaft chain, sprocket, guide worn
 Air suction valve damaged
 Air switching valve damaged
 Air switching valve lead damaged
 Alternator rotor loose
 Catalytic converters melt down due to muffler overheating (KLEEN)
 Balancer gear worn or chipped
 Balancer shaft position maladjusted
 Balancer bearing worn
 Balancer shaft coupling rubber damper damaged
 Water pump chain, sprocket worn

Abnormal Drive Train Noise**Clutch noise**

Clutch rubber damper weak or damaged
 Clutch housing/friction plate clearance excessive
 Clutch housing gear worn
 Wrong installation of outside friction plate

Transmission noise

Bearings worn
 Transmission gears worn or chipped
 Metal chips jammed in gear teeth

Engine oil insufficient

Drive line noise

Bevel gear bearings worn
 Bevel gears worn or chipped
 Bevel gears maladjusted
 Rear wheel coupling damaged
 Final gear case oil level too low or oil too thin
 Insufficient grease in propeller shaft joint

Abnormal Frame Noise**Front fork noise**

Oil insufficient or too thin
 Spring weak or broken

Rear shock absorber noise

Shock absorber damaged

Disc brake noise

Pad installed incorrectly
 Pad surface glazed
 Disc warped
 Caliper trouble
 Master cylinder damaged

Other noise

Bracket, nut, bolt, etc. not properly mounted or tightened

Oil Pressure Warning Light Goes On

Engine oil pump damaged
 Engine oil screen clogged
 Engine oil filter clogged
 Engine oil level too low
 Engine oil viscosity too low
 Camshaft bearing portion worn
 Crankshaft bearings worn
 Oil pressure switch damaged
 Oil pressure switch lead damaged
 Relief valve stuck open
 O-ring at the oil pipe in the crankcase damaged

Exhaust Smokes Excessively**White smoke**

Piston oil ring worn
 Cylinder worn
 Valve oil seal damaged
 Valve guide worn
 Engine oil level too high

Black smoke

Air cleaner clogged
 Choke knob left pulled out (DFI)

Brown smoke

Air cleaner duct loose
 Air cleaner O-ring damaged
 Air cleaner poorly sealed or missing

17-56 APPENDIX

Troubleshooting Guide (except DFI)

Handling and/or Stability Unsatisfactory

Handlebar hard to turn

- Cable routing incorrect
- Hose routing incorrect
- Wiring routing incorrect
- Steering stem nut too tight
- Steering stem bearing damaged
- Steering stem bearing lubrication inadequate
- Steering stem bent
- Tire air pressure too low

Handlebar shakes or excessively vibrates

- Tire worn
- Swingarm sleeve or pivot bearings worn
- Wheel rim warped, or not balanced
- Wheel bearing worn
- Handlebar nuts loose
- Steering stem head nut loose
- Front, rear axle runout excessive

Handlebar pulls to one side

- Frame bent
- Swingarm bent or twisted
- Swingarm pivot shaft runout excessive
- Steering maladjusted
- Front fork bent
- Right and/or left front fork oil level incorrect

Shock absorption unsatisfactory

- (Too hard)
- Front fork oil excessive
- Front fork oil viscosity too high
- Rear shock absorber adjustment too hard
- Tire air pressure too high
- Front fork bent
- (Too soft)

- Tire air pressure too low
- Front fork oil insufficient and/or leaking
- Front fork oil viscosity too low
- Rear shock adjustment too soft
- Front fork, rear shock absorber spring weak
- Rear shock absorber oil leaking

Brake Doesn't Hold

- Air in the brake line
- Pad or disc worn
- Brake fluid leakage
- Disc warped
- Contaminated pad
- Brake fluid deteriorated
- Primary or secondary cup damaged in master cylinder
- Master cylinder scratched inside

Battery Trouble

Battery discharged

- Charge insufficient
- Battery faulty (too low terminal voltage)
- Battery leads making poor contact
- Load excessive (e.g., bulb of excessive wattage)
- Ignition switch trouble
- Alternator trouble
- Wiring faulty
- Regulator/rectifier trouble

Battery overcharged

- Alternator trouble
- Regulator/rectifier trouble
- Battery faulty

MODEL APPLICATION

Year	Model	Beginning Frame No.
2004	VN1600-B1	JKBVNKB1□4A000001 or JKBVNT60BBA000001
2005	VN1600-B2	JKBVNKB1□5A005001 or JKBVNT60BBA005001
2006	VN1600B6F	JKBVNKB1□6A010001 or JKBVNT60BBA010001
2006	VN1600F6F	JKBVNKF1□6A000001

□:This digit in the frame number changes from one machine to another.



KAWASAKI HEAVY INDUSTRIES, LTD.
Consumer Products & Machinery Company

Part No.99924-1321-03

Printed in Japan