

CB650RA / CBR650RA

CB650RA_M
CB650RA_N
CB650RA_P
CBR650RA_M
CBR650RA_N
CBR650RA_P

PARTS CATALOGUE

3

FOREWORD INDEX

1

ENGINE GROUP

2

FRAME GROUP

3

PART NUMBER INDEX

4

PART NAME INDEX

5

Instruction for use of parts catalogue

- **This parts catalogue has been created as of October 20, 2022.**
 - Since this date, the sales practice for repair parts may have been changed or the parts may have been eliminated (listed for those not for sale).
 - The modified information is reflected on the latest Electronic Parts Catalogue (EPC). Also, refer to the parts catalogue news for any change.
 - See the parts catalogue news for any revision that is made after October 20, 2022.
- **Always specify the part number when ordering a part.**
 - Check the model, type, serial numbers, color, maker, and the size as needed before ordering a part.
 - Note that the illustrations (part drawings) can differ from the actual parts in shape. They are given just to help you to refer to the parts.
- **When modifications or additions to this parts catalogue are made, a revised edition will be issued at an appropriate time, with successively progressing revision numbers on the cover. We recommend obtaining such revisions in order to keep your parts catalogue up-to-date at all times. To check whether a parts catalogue revision has been issued, please contact your Honda distributor.**

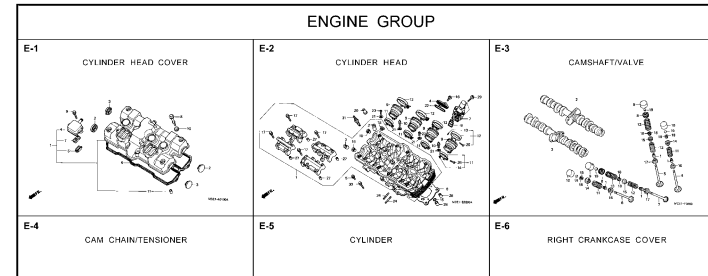
Initial version issue date
October 20, 2020
Honda Motor Co., Ltd.

CONTENTS

	Page
●Instruction for use of parts catalogue	1
●How to refer to the part information	2
●Part catalogue structure.....	3
●When the parts were revised.....	5
●Abbreviations used in the parts catalogue.....	5
●Part block and serial number check.....	6
●Color label attachment position check.....	6
●Models, parts catalogue codes and applicable serial numbers	7
●Color label.....	14
●Color chart.....	15
●Fuel hose, general purpose hoses and vinyl hose.....	81
●FLAT RATE SERVICE TIME	85
●Illustrated index	91
●ENGINE GROUP	100
●FRAME GROUP.....	131
●PART NO. INDEX.....	215
●PART NAME INDEX.....	221

How to refer to the part information

A Reference with "Illustrated index"



B Reference with "Part number index"

PART NO. INDEX			
Part Number	Page	Ref.	
04000			13323-MY9-751 28 10
			13324-MY9-751 28 10
04911-MCE-000	26	1	13325-MY9-751 28 10
			13327-MY9-751 28 10
06000			14000
06405-MY5-P00	67	3	14100-MCE-000 13 2
06405-MY5-P10	67	3	14200-MCE-000 13 3
06410-MY9-860	56	1	14321-MCE-000 16 2
06435-MCE-006	55	1	14401-MCE-005 16 3
06451-166-405	51	2	14510-MCE-000 16 4
06451-443-405	55	2	14520-MY9-691 16 5
06451-MA7-405	51	1	14524-MY9-690 16 6
06455-MCE-006	51	3	14546-MCE-000 16 7
			14620-MY9-691 16 8
11000			14711-MCE-000 13 4
11210-MCE-000	25	1	14712-MCE-000 13 5
11330-MCE-305	18	1	14721-MCE-000 13 6
11333-KT8-000	22	1	14722-MCE-000 13 7
11335-MCE-000	18	2	14730-MCE-000 13 8
11360-MCE-000	25	1	14731-MCE-000 13 9
11365-MCE-000	25	2	14731-MY9-751 13 10
11396-MY9-000	18	5	14751-KY2-000 13 11
11631-MCE-000	21	1	14751-MCE-000 13 12
11691-MY9-000	21	2	14761-MCE-000 13 13

C Reference with "Part name index"

PART NAME INDEX			
Part name	Page	Ref.	Pe
[A]			
ADJUSTER, CHAIN	67	5	BOLT, CHANGE
ARM COMP., GEAR CHANGE	64	5	BOLT, CLUTCH
ARM, L. MAIN STEP	65	8	BOLT, CONNCT
ARM, L. PILLION STEP	65	12	BOLT, DISK, 4
ARM, R. MAIN STEP	65	5	BOLT, DRAIN F
ARM, R. PILLION STEP	65	11	BOLT, FLANGE
AUTO COCK ASSY. FUEL	58	2	BOLT, FLANGE,
AXLE, FR. WHEEL	52	5	BOLT, FLANGE,
AXLE, RR. WHEEL	56	5	BOLT, FLANGE,
[B]			
BAG, AIR PRESSURE GAUGE	77	4	BOLT, FLANGE,
BAG, SERVICE BOOK	77	1	BOLT, FLANGE,
BAG, TOOL	77	3	BOLT, FLANGE,
BALL, STEEL	65	20	BOLT, FLANGE,
BAND A, INSULATOR	11	11	BOLT, FLANGE,
BAND B, INSULATOR	11	12	BOLT, FLANGE,
BAND, AIR CLEANER CONNECTING TUBE	62	22	BOLT, FLANGE,
BAND, U-LOCK	70	3	BOLT, FLANGE,
BAND, WIRE	26	14	
	43	21	
	74	18	

F-7 FRONT FENDER

Service item	F.R.T.
FENDER COMP., FR.	0.3

Ref No.	Part No.	Description	Reqd. QTY		Serial No.	Parts catalogue code
			CP400 SFX	SFY		
1	45156-MCE-000	CLAMPER, R. FR. BRAKE HOSE	1	1		
2	45157-MCE-000	CLAMPER, L. FR. BRAKE HOSE	1	1		
3	61100-MCE-000ZA	FENDER COMP., FR. *NH41TH*FORCE SILVER METALLIC	1	1	----- 3J,4J	
	61100-MCE-000ZB	*PB284C*...CANDY PHOENIX BLUE	1	1	----- J,2J	
4	61101-MCE-000	PLATE, FR. FENDER	2	2	1008000	
	61101-MCE-010		2	2	1008001	
5	61102-MCE-300	CUSHION, FR. FENDER (BLACK)	2	2		
6	61105-MCE-000	STAY, FR. FENDER MOUNTING	2	2		
7	61107-MR7-000	COLLAR (6.5)	4	4		
8	96001-06020-00	BOLT, FLANGE, 6X20	4	4		

Page No.

2000.09.01 E

Part catalogue structure

F-7		FRONT FENDER		Service item F.R.T.	
				FENDER COMP., FR. 0.3	
1	45156-MCE-000	CLAMPER, R. FR. BRAKE HOSE ..	1	1	
2	45157-MCE-000	CLAMPER, L. FR. BRAKE HOSE ..	1	1	
3	61100-MCE-000ZA	FENDER COMP., FR. *NH411M*FORCE SILVER METALLIC	1	-	----- 3J,4J
	61100-MCE-000ZB	*PB284C*...CANDY PHOENIX BLUE	1	-	----- J,2J
4	61101-MCE-000	PLATE, FR. FENDER	2	2	----- 1008000
	61101-MCE-010	2	2	1008001
5	61102-MCE-300	CUSHION, FR. FENDER	2	2	
		(BLACK)			

① Block title ② Block number

③ Service item/Flat rate time

④ Reference number

- Title number marked with the parenthesis or parentheses indicates that it continues from the previous page.

⑤ Part number ⑥ Honda color code

⑦ Description

⑧ Assemblies

- Sections framed with broken lines in the exploded view drawings are available as complete assemblies. (Their individual parts can also be obtained.)

⑨ Color description

⑩ Note

- Notes are shown with the parentheses in the part name column.

⑪ Required quantity

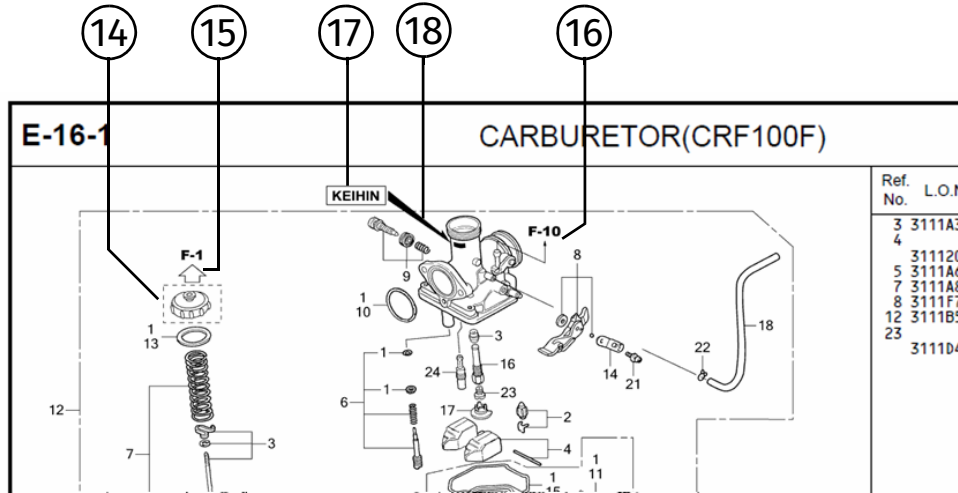
- Reqd. QTY shown in the parenthesis or parentheses indicates the optional part.
- Reqd. QTY marked with "N" indicates the optional part that should be selected as needed.
- Reqd. QTY indicates the number of the part used in the block.

⑫ Serial number

⑬ Parts catalogue code

- When the parts catalogue code column is blank, it indicates that the part is applicable to all codes.

1



⑭
 • Parts enclosed within a dotted line are covered in a different block.

⑮
 • A hollow arrow indicates the block No. for the parts enclosed within a dotted line .

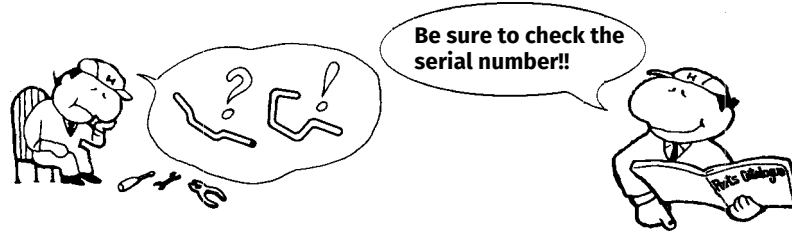
⑯
 • A solid arrow indicates the block No. the part in question is connected to.

⑰ **Replacement Identification Information for Designated Part No.**

⑱ **Location of Replacement Identification Information for Designated Part No.**

- If an arrow mark is indicated in 18, the part is incompatible with a different part No.
- Make sure to order the part of the same manufacture, including the component part.
- To make an order, indicate the part No., which includes the symbol displayed on the applicable section of the part to be replaced.

When the parts were revised



Ref. No.	Part No.	Description	Reqd. QTY		Serial No.
			CB400 SFX	SFY	
1	45156-MCE-000	CLAMPER, R. FR. BRAKE HOSE ..	1	1	
2	45157-MCE-000	CLAMPER, L. FR. BRAKE HOSE ..	1	1	
3	61100-MCE-000ZA	FENDER COMP., FR. *NH411M*FORCE SILVER METALLIC	1	-	-----3J,4J
	61100-MCE-000ZB	*PB284C*...CANDY PHOENIX BLUE	1	-	-----J,2J
4	61101-MCE-000	PLATE, FR. FENDER (###).....	2	2	-----1008000
	61101-MCE-010	2	2	-----1008001
5	61102-MCE-300	CUSHION, FR. FENDER (BLACK)	2	2	
6	61105-MCE-000	STAY, FR. FENDER MOUNTING ...	2	2	
7	61107-MR7-000	COLLAR (6.5)	4	4	
8	96001-06020-00	BOLT, FLANGE, 6X20	4	4	

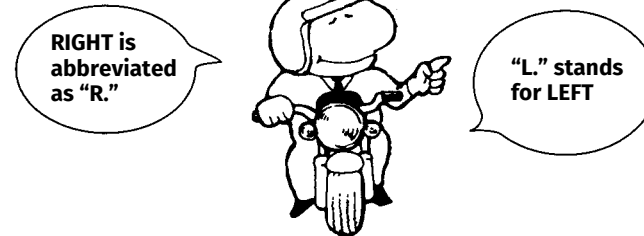
The number has been used from the initial model without revision.

When shown at the left side, it is applicable to the models of No.1008001 and the subsequent numbers.

When shown at the right side, it is applicable to the models up to No.1008000.

The parts listed with "###" at the end of the parts name have limited supply period (parts not for sale).

Abbreviations used in the parts catalogue

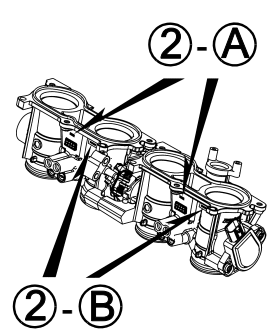
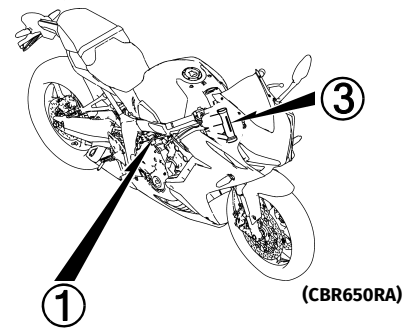
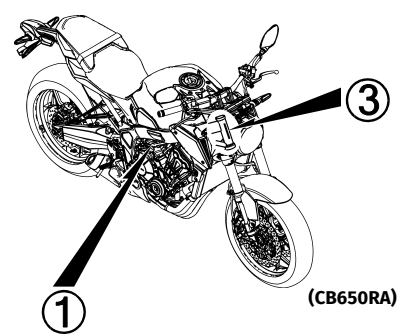
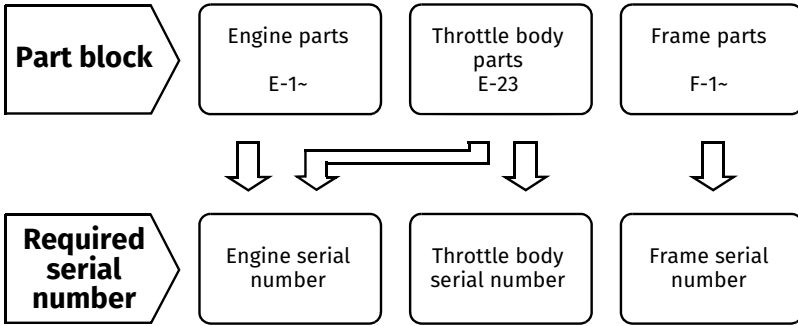


* "L." or "R." in the description of a part stands for the LEFT hand side or the RIGHT hand side. Determine the left or right as if you were in the motorcycle seat.

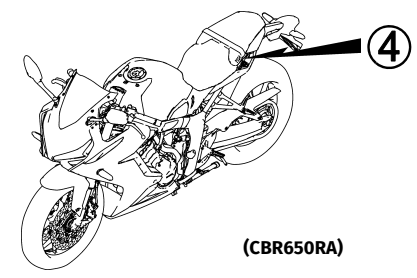
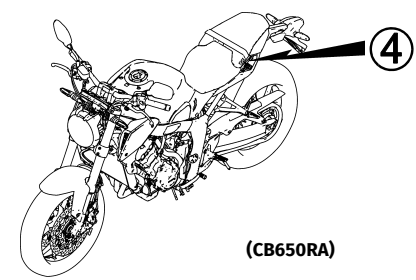
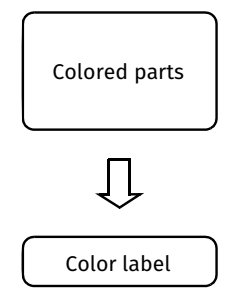
The following abbreviations are used in this parts catalogue.

A	Ampere	L.	Left
ABS	Anti-lock brake system	L (100L) ...	Link (100 Links)
A.C.	Alternating current	L.E.D.	Light emitted diode
A.M.	Attaching mark	MM	Millimeter
ASSY.	Assembly	MPH	Miles per hour
C.D.I.	Capacitive discharge ignition	R.	Right
COMP.	Complete	RR.	Rear
CP.	Candle power	STD.	Standard
D.C.	Direct current	T (22T)	Tooth (22 Teeth)
EX.	Exhaust	TCS	Traction control system
FR.	Front	T.M.	Transcript mark
G	Gram	V	Volt
HEX.	Hexagonal	W	Watt
IN.	Inlet	WL	With labelling
KPH	Kilometers per hour	WOL	Without labelling

Part block and serial number check



Color label attachment position check



Models, parts catalogue codes and applicable serial numbers

Models, parts catalogue codes and applicable serial Nos. given in this parts catalogue can be identified as follows.
 Parts with parts catalogue codes are exclusive for models destined for countries designated.
 If no area codes are listed, parts are for common use.

Model	Parts catalogue code	Type	Applicable engine serial No.	Applicable frame serial No.	Applicable throttle body serial No.
CB650RAM	3ED	European direct sales	RH01E-6300001~6399999	MLHRH02B*M5100001~M5199999	GQ8LA A
	5ED		RH03E-5100001~	JH2RH08A*MK100001~	
	7ED		RH03E-5100001~	JH2RH08B*MK100001~	
	CH	China	RH01E-6300001~6399999	MLHRH01R*M5200001~M5299999	GQ8LA A
	ED	European direct sales	RH01E-6300001~6399999	MLHRH02A*M5100001~M5199999	
	FO	Taiwan	RH01E-6300001~6399999	MLHRH029*M5300001~M5399999	GQ8KB A
	IN	Indonesia	RH01E-6300001~6399999	MLHRH029*M5300001~M5399999	
	KO	Korea	RH01E-6300001~6399999	MLHRH02K*M5200001~M5299999	GQ8LA A
	MA	Malaysia	RH01E-6300001~6399999	MLHRH029*M5300001~M5399999	GQ8KB A
	U	Australia	RH01E-6300001~6399999	MLHRH02U*M5100001~M5199999	

Model	Parts catalogue code	Type	Applicable engine serial No.	Applicable frame serial No.	Applicable throttle body serial No.
CB650RAN	3ED	European direct sales	RH01E-6400001~	MLHRH02B*N5200001~N5299999	GQ8LA A
	3FO	Taiwan	RH01E-6400001~	MLHRH029*N5400001~N5499999	
	CH	China	RH01E-6400001~	MLHRH01R*N5300001~	
	ED	European direct sales	RH01E-6400001~	MLHRH02A*N5200001~N5299999	
	FO	Taiwan	RH01E-6400001~	MLHRH029*N5400001~	GQ8KB A
	IN	Indonesia	RH01E-6400001~	MLHRH029*N5400001~	
	KO	Korea	RH01E-6400001~	MLHRH02K*N5300001~N5399999	GQ8LA A
	MA	Malaysia	RH01E-6400001~	MLHRH029*N5400001~N5499999	GQ8KB A
	U	Australia	RH01E-6400001~	MLHRH01U*N5200001~N5299999	

Model	Parts catalogue code	Type	Applicable engine serial No.	Applicable frame serial No.	Applicable throttle body serial No.
CB650RAP	2ED	European direct sales	RH01E-6500001~	MLHRH02A*P5300001~	GQ8LA A
	2FO	Taiwan	RH01E-6500001~	MLHRH029*P5500001~	
	2IN	Indonesia	RH01E-6400001~	MLHRH02**#5400001~	GQ8KB A
	2KO	Korea	RH01E-6500001~	MLHRH02K*P5400001~	GQ8LA A
	2MA	Malaysia	RH01E-6500001~	MLHRH029*P5500001~	GQ8KB A
	2PH	Philippines	RH01E-6500001~	MLHRH029*P5500001~	GQ8KA A
	2RU	Russia	RH01E-6500001~	MLHRH02L*P5000001~	GQ8KB A
	2U	Australia	RH01E-6500001~	MLHRH02U*P5300001~	
	2V	Vietnam	RH01E-6500001~	MLHRH029*P5500001~	GQ8KA A
	3ED	European direct sales	RH01E-6500001~	MLHRH02B*P5300001~	GQ8LA A
	3FO	Taiwan	RH01E-6500001~	MLHRH029*P5500001~	
	4ED	European direct sales	RH01E-6500001~	MLHRH02B*P5300001~	
	ED		RH01E-6500001~	MLHRH02A*P5300001~	
	IN	Indonesia	RH01E-6400001~	MLHRH02**#5400001~	GQ8KB A
	KO	Korea	RH01E-6500001~	MLHRH02K*P5400001~	GQ8LA A
	MA	Malaysia	RH01E-6500001~	MLHRH029*P5500001~	GQ8KB A
	PH	Philippines	RH01E-6500001~	MLHRH029*P5500001~	GQ8KA A
	RU	Russia	RH01E-6500001~	MLHRH02L*P5000001~	GQ8KB A
	U	Australia	RH01E-6500001~	MLHRH02U*P5300001~	
	V	Vietnam	RH01E-6500001~	MLHRH029*P5500001~	GQ8KA A



Model	Parts catalogue code	Type	Applicable engine serial No.	Applicable frame serial No.	Applicable throttle body serial No.
CBR650RAM	2CH	China	RH01E-6300001~6399999	MLHRH01R*M5200001~M5299999	GQ8LA A
	2ED	European direct sales	RH01E-6300001~6399999	MLHRH01A*M5100001~M5199999	
	2FO	Taiwan	RH01E-6300001~6399999	MLHRH019*M5200001~M5299999	
	2KO	Korea	RH01E-6300001~6399999	MLHRH01K*M5200001~M5299999	
	2MA	Malaysia	RH01E-6300001~6399999	MLHRH019*M5200001~M5299999	GQ8KB A
	2U	Australia	RH01E-6300001~6399999	MLHRH01U*M5100001~M5199999	
	3ED	European direct sales	RH01E-6300001~6399999	MLHRH01B*M5100001~M5199999	GQ8LA A
	4ED		RH01E-6300001~6399999	MLHRH01B*M5100001~M5199999	
	CH	China	RH01E-6300001~6399999	MLHRH01R*M5200001~M5299999	
	ED	European direct sales	RH01E-6300001~6399999	MLHRH01A*M5100001~M5199999	
	FO	Taiwan	RH01E-6300001~6399999	MLHRH019*M5200001~M5299999	
	KO	Korea	RH01E-6300001~6399999	MLHRH01K*M5200001~M5299999	
	MA	Malaysia	RH01E-6300001~6399999	MLHRH019*M5200001~M5299999	GQ8KB A
	U	Australia	RH01E-6300001~6399999	MLHRH01U*M5100001~M5199999	



Model	Parts catalogue code	Type	Applicable engine serial No.	Applicable frame serial No.	Applicable throttle body serial No.
CBR650RAN	2CH	China	RH01E-6400001~	MLHRH01R*N5300001~	GQ8LA A
	2ED	European direct sales	RH01E-6400001~	MLHRH01A*N5200001~N5299999	
	2FO	Taiwan	RH01E-6400001~	MLHRH019*N5300001~	
	2KO	Korea	RH01E-6400001~	MLHRH01K*N5300001~N5399999	
	2MA	Malaysia	RH01E-6400001~	MLHRH019*N5300001~N5399999	GQ8KB A
	2U	Australia	RH01E-6400001~	MLHRH01U*N5200001~N5299999	
	3ED	European direct sales	RH01E-6400001~	MLHRH01B*N5200001~N5299999	GQ8LA A
	3FO	Taiwan	RH01E-6400001~	MLHRH019*N5300001~N5399999	
	4ED	European direct sales	RH01E-6400001~	MLHRH01B*N5200001~N5299999	
	4FO	Taiwan	RH01E-6400001~	MLHRH019*N5300001~N5399999	
	CH	China	RH01E-6400001~	MLHRH01R*N5300001~	
	ED	European direct sales	RH01E-6400001~	MLHRH01A*N5200001~N5299999	
	FO	Taiwan	RH01E-6400001~	MLHRH019*N5300001~	GQ8KB A
	KO	Korea	RH01E-6400001~	MLHRH01K*N5300001~N5399999	
	MA	Malaysia	RH01E-6400001~	MLHRH019*N5300001~N5399999	
	U	Australia	RH01E-6400001~	MLHRH01U*N5200001~N5299999	

Model	Parts catalogue code	Type	Applicable engine serial No.	Applicable frame serial No.	Applicable throttle body serial No.
CBR650RAP	2ED	European direct sales	RH01E-6500001~	MLHRH01A*P5300001~	GQ8LA A
	2GS	GCC Countries	RH01E-6500001~	MLHRH019*P5400001~	
	2KO	Korea	RH01E-6500001~	MLHRH01K*P5400001~	
	2MA	Malaysia	RH01E-6500001~	MLHRH019*P5400001~	GQ8KB A
	2PH	Philippines	RH01E-6500001~	MLHRH019*P5400001~	GQ8KA A
	2RU	Russia	RH01E-6500001~	MLHRH01L*P5000001~	GQ8KB A
	2U	Australia	RH01E-6500001~	MLHRH01U*P5300001~	
	2V	Vietnam	RH01E-6500001~	MLHRH019*P5400001~	GQ8KA A
	3ED	European direct sales	RH01E-6500001~	MLHRH01B*P5300001~	GQ8LA A
	3FO	Taiwan	RH01E-6500001~	MLHRH019*P5400001~	
	4ED	European direct sales	RH01E-6500001~	MLHRH01B*P5300001~	
	4FO	Taiwan	RH01E-6500001~	MLHRH019*P5400001~	
	ED	European direct sales	RH01E-6500001~	MLHRH01A*P5300001~	
	GS	GCC Countries	RH01E-6500001~	MLHRH019*P5400001~	
	KO	Korea	RH01E-6500001~	MLHRH01K*P5400001~	

Model	Parts catalogue code	Type	Applicable engine serial No.	Applicable frame serial No.	Applicable throttle body serial No.
CBR650RAP	MA	Malaysia	RH01E-6500001~	MLHRH019*P5400001~	GQ8KB A
	PH	Philippines	RH01E-6500001~	MLHRH019*P5400001~	GQ8KA A
	RU	Russia	RH01E-6500001~	MLHRH01L*P5000001~	GQ8KB A
	U	Australia	RH01E-6500001~	MLHRH01U*P5300001~	
	V	Vietnam	RH01E-6500001~	MLHRH019*P5400001~	GQ8KA A

* Of carburetor/throttle body identification numbers, only the portions underlined in the example below are used for registration.

GQ 8LA A KC ア
 (A) (B)



Color label

- When ordering parts, check the model name, main color, and code by observing the “COLOR LABEL” on the vehicle.
- When ordering a colored part, use the color chart in the instruction for use of parts catalogue.

No.		MODEL	VFR800FIW				
		COLOR	Sparkling silver metallic	Mute black metallic	Applicable model		Applicable block No.
		CODE	NH-295M	NH-359M	Initial applicable model	Final applicable model	
		Name of colored parts	Basic part No.	NH295	NH359		
1							
2							
3							
4							
5							
6							
7							
8							
9							
10							

VFR800FIW
COLOR R-157
CODE R157

1

Color chart

- When ordering a colored part, refer to the chart below and use a part number consisting of the relevant basic part number to which has been added a part color code.

CB650RA (CB650RAM).....3ED,ED

No.	MODEL		CB650RAM							Applicable block No.	Ref. No.
	COLOR		Mat gunpowder black metallic NH-436M	Pearl smoky gray NH-C53P	Mat jeans blue metallic PB-417M	Candy chromosphere red R-381C	Applicable model				
	CODE		NH436	NHC53	PB417	R381	Initial applicable model	Final applicable model			
	Name of colored parts	Basic part No.									
1	BODY SET, FRAME	50010-MKY-D50	ZA	ZA	ZA	ZA			F-39	1	
2	BRACKET B, L. ENGINE HANGER	50212-MKN-D50	ZA	ZA	ZA	ZA			F-39	3	
3	BRACKET B, R. ENGINE HANGER	50211-MKN-D50	ZA	ZA	ZA	ZA			F-39	2	
4	COVER ASSY., FUEL TANK FR.	17570-MKY-D50	ZG	ZJ	ZB	ZA			F-21	18	
5	COVER SET, RR. FENDER STAY UPPER	80150-MKY-D50	ZA	ZA	ZA	ZA			F-34	11	
6	COWL A, L. RR.	77241-MKY-D50	ZB	ZB	ZB	ZB			F-23	16	
7	COWL A, R. RR.	77231-MKY-D50	ZB	ZB	ZB	ZB			F-23	12	
8	FENDER SET, FR.	61110-MKN-D50	ZC	-	ZA	-			F-10	3	
9	FENDER SET, FR.	61110-MKY-D50	-	ZF	-	ZD			F-10	3	
10	MARK, ABS	86611-MGZ-D10	ZA	ZC	ZA	ZC			F-50	4	
11	MARK, HONDA	86102-MGZ-J00	ZA	ZA	ZA	ZA			F-50	1	
12	MARK, L. WING	86202-MKN-D50	ZB	-	ZD	ZF			F-50	3	
13	MARK, L. WING	86202-MKY-D50	-	ZD	-	-			F-50	3	
14	MARK, R. WING	86201-MKN-D50	ZB	-	ZD	ZF			F-50	2	
15	MARK, R. WING	86201-MKY-D50	-	ZD	-	-			F-50	2	
16	MARK, SHROUD A	86641-MKN-D50	ZA	ZA	ZA	ZA			F-50	5	
17	RIM, HEADLIGHT	64241-MKN-D50	ZA	ZA	ZA	ZA			F-1	10	
18	SEAT ASSY., MAIN	77100-MKY-D51	ZA	ZA	ZA	ZA			F-23	3	
19	SEAT ASSY., PILLION	77300-MKY-D51	ZA	ZA	ZA	ZA			F-23	17	
20	SHROUD SET A, L.	64410-MKN-D50	ZA	ZA	ZA	ZA			F-22	6	

1

CB650RA (CB650RAM).....3ED,ED

No.	MODEL		CB650RAM							
	COLOR		Mat gunpowder black metallic NH-436M	Pearl smoky gray NH-C53P	Mat jeans blue metallic PB-417M	Candy chromosphere red R-381C	Applicable model		Applicable block No.	Ref. No.
	CODE		NH436	NHC53	PB417	R381	Initial applicable model	Final applicable model		
	Name of colored parts	Basic part No.								
21	SHROUD SET A, R.	64310-MKN-D50	ZA	ZA	ZA	ZA			F-22	1
22	STAY, METER	61312-MKN-D50	ZA	ZA	ZA	ZA			F-2	8
23	TANK ASSY., FUEL	17500-MKY-D50	ZH	ZC	ZB	ZG			F-21	7
24	TRIM, FUEL TANK	17516-KCZ-000	ZB	ZB	ZB	ZB			F-21	8
25	WHEEL SUB ASSY., FR.	44650-MKY-D50	ZA	ZA	ZA	ZA			F-14-40	7
26	WHEEL SUB ASSY., RR.	42650-MKY-D50	ZA	ZA	ZA	ZA			F-19-40	10

CB650RA (CB650RAM).....5ED,7ED

No.	MODEL		CB650RAM						
	COLOR		Mat gunpowder black metallic NH-436M	Mat jeans blue matallic PB-417M	Candy chromosphere red R-381C	Applicable model		Applicable block No.	Ref. No.
	CODE		NH436	PB417	R381	Initial applicable model	Final applicable model		
	Name of colored parts	Basic part No.							
1	BODY SET, FRAME	50010-MKY-D50	ZA	ZA	ZA			F-39	1
2	BRACKET B, L. ENGINE HANGER	50212-MKN-D50	ZA	ZA	ZA			F-39	3
3	BRACKET B, R. ENGINE HANGER	50211-MKN-D50	ZA	ZA	ZA			F-39	2
4	COVER ASSY., FUEL TANK FR.	17570-MKY-D60	ZC	ZB	ZA			F-21	18
5	COVER SET, RR. FENDER STAY UPPER	80150-MKY-D50	ZA	ZA	ZA			F-34	11
6	COWL A, L. RR.	77241-MKY-D60	ZA	ZA	ZA			F-23	16
7	COWL A, R. RR.	77231-MKY-D60	ZA	ZA	ZA			F-23	12
8	FENDER SET, FR.	61110-MKN-J50	ZC	-	-			F-10	3
9	FENDER SET, FR.	61110-MKY-J50	-	ZB	ZC			F-10	3
10	MARK, ABS	86611-MGZ-D10	ZA	ZA	ZC			F-50	4
11	MARK, HONDA	86102-MGZ-J00	ZA	ZA	ZA			F-50	1
12	MARK, L. WING	86202-MKN-J50	ZB	ZH	ZE			F-50	3
13	MARK, R. WING	86201-MKN-J50	ZB	ZH	ZE			F-50	2
14	MARK, SHROUD A	86641-MKN-D50	ZA	ZA	ZA			F-50	5
15	RIM, HEADLIGHT	64241-MKN-D50	ZA	ZA	ZA			F-1	10
16	SEAT ASSY., MAIN	77100-MKY-D51	ZA	ZA	ZA			F-23	3
17	SEAT ASSY., PILLION	77300-MKY-D51	ZA	ZA	ZA			F-23	17
18	SHROUD SET A, L.	64410-MKN-D50	ZA	ZA	ZA			F-22	6
19	SHROUD SET A, R.	64310-MKN-D50	ZA	ZA	ZA			F-22	1
20	STAY, METER	61312-MKN-D50	ZA	ZA	ZA			F-2	8
21	TANK ASSY., FUEL	17500-MKY-J50	ZE	ZC	ZA			F-21	7
22	TRIM, FUEL TANK	17516-KCZ-000	ZB	ZB	ZB			F-21	8
23	WHEEL SUB ASSY., FR.	44650-MKY-D50	ZA	ZA	ZA			F-14-40	7
24	WHEEL SUB ASSY., RR.	42650-MKY-D50	ZA	ZA	ZA			F-19-40	10



CB650RA (CB650RAM).....CH

No.	MODEL		CB650RAM						
	COLOR		Mat gunpowder black metallic NH-436M	Pearl smoky gray NH-C53P	Candy chromosphere red R-381C	Applicable model		Applicable block No.	Ref. No.
	CODE		NH436	NHC53	R381	Initial applicable model	Final applicable model		
	Name of colored parts	Basic part No.							
1	BODY SET, FRAME	50010-MKY-D50	ZA	ZA	ZA			F-39	1
2	BRACKET B, L. ENGINE HANGER	50212-MKN-D50	ZA	ZA	ZA			F-39	3
3	BRACKET B, R. ENGINE HANGER	50211-MKN-D50	ZA	ZA	ZA			F-39	2
4	COVER ASSY., FUEL TANK FR.	17570-MKY-D50	ZG	ZJ	ZA			F-21	18
5	COVER SET, RR. FENDER STAY UPPER	80150-MKY-D50	ZA	ZA	ZA			F-34	11
6	COWL A, L. RR.	77241-MKY-D50	ZB	ZB	ZB			F-23	16
7	COWL A, R. RR.	77231-MKY-D50	ZB	ZB	ZB			F-23	12
8	FENDER SET, FR.	61110-MKN-D50	ZC	-	-			F-10	3
9	FENDER SET, FR.	61110-MKY-D50	-	ZF	ZD			F-10	3
10	MARK, ABS	86611-MGZ-D10	ZA	ZC	ZC			F-50	4
11	MARK, HONDA	86102-MGZ-J00	ZA	ZA	ZA			F-50	1
12	MARK, L. WING	86202-MKN-D50	ZB	-	ZF			F-50	3
13	MARK, L. WING	86202-MKY-D50	-	ZD	-			F-50	3
14	MARK, R. WING	86201-MKN-D50	ZB	-	ZF			F-50	2
15	MARK, R. WING	86201-MKY-D50	-	ZD	-			F-50	2
16	MARK, SHROUD A	86641-MKN-D50	ZA	ZA	ZA			F-50	5
17	RIM, HEADLIGHT	64241-MKN-D50	ZA	ZA	ZA			F-1	10
18	SEAT ASSY., MAIN	77100-MKY-D51	ZA	ZA	ZA			F-23	3
19	SEAT ASSY., PILLION	77300-MKY-D51	ZA	ZA	ZA			F-23	17
20	SHROUD SET A, L.	64410-MKN-D50	ZA	ZA	ZA			F-22	6
21	SHROUD SET A, R.	64310-MKN-D50	ZA	ZA	ZA			F-22	1
22	STAY, METER	61312-MKN-D50	ZA	ZA	ZA			F-2	8
23	TANK ASSY., FUEL	17500-MKY-H50	ZC	ZG	ZB			F-21	7
24	TRIM, FUEL TANK	17516-KCZ-000	ZB	ZB	ZB			F-21	8
25	WHEEL SUB ASSY., FR.	44650-MKY-D50	ZA	ZA	ZA			F-14-40	7
26	WHEEL SUB ASSY., RR.	42650-MKY-D50	ZA	ZA	ZA			F-19-40	10

CB650RA (CB650RAM).....FO,IN,MA

No.	MODEL		CB650RAM						
	COLOR		Mat gunpowder black metallic NH-436M	Pearl smoky gray NH-C53P	Candy chromosphere red R-381C	Applicable model		Applicable block No.	Ref. No.
	CODE		NH436	NHC53	R381	Initial applicable model	Final applicable model		
	Name of colored parts	Basic part No.							
1	BODY SET, FRAME	50010-MKY-D50	ZA	ZA	ZA			F-39	1
2	BRACKET B, L. ENGINE HANGER	50212-MKN-D50	ZA	ZA	ZA			F-39	3
3	BRACKET B, R. ENGINE HANGER	50211-MKN-D50	ZA	ZA	ZA			F-39	2
4	COVER ASSY., FUEL TANK FR.	17570-MKY-D50	ZG	ZJ	ZA			F-21	18
5	COVER SET, RR. FENDER STAY UPPER	80150-MKY-D50	ZA	ZA	ZA			F-34	11
6	COWL A, L. RR.	77241-MKY-D50	ZB	ZB	ZB			F-23	16
7	COWL A, R. RR.	77231-MKY-D50	ZB	ZB	ZB			F-23	12
8	FENDER SET, FR.	61110-MKN-D50	ZC	-	-			F-10	3
9	FENDER SET, FR.	61110-MKY-D50	-	ZF	ZD			F-10	3
10	MARK, ABS	86611-MGZ-D10	ZA	ZC	ZC			F-50	4
11	MARK, HONDA	86102-MGZ-J00	ZA	ZA	ZA			F-50	1
12	MARK, L. WING	86202-MKN-D50	ZB	-	ZF			F-50	3
13	MARK, L. WING	86202-MKY-D50	-	ZD	-			F-50	3
14	MARK, R. WING	86201-MKN-D50	ZB	-	ZF			F-50	2
15	MARK, R. WING	86201-MKY-D50	-	ZD	-			F-50	2
16	MARK, SHROUD A	86641-MKN-D50	ZA	ZA	ZA			F-50	5
17	RIM, HEADLIGHT	64241-MKN-D50	ZA	ZA	ZA			F-1	10
18	SEAT ASSY., MAIN	77100-MKY-D51	ZA	ZA	ZA			F-23	3
19	SEAT ASSY., PILLION	77300-MKY-D51	ZA	ZA	ZA			F-23	17
20	SHROUD SET A, L.	64410-MKN-D50	ZA	ZA	ZA			F-22	6
21	SHROUD SET A, R.	64310-MKN-D50	ZA	ZA	ZA			F-22	1
22	STAY, METER	61312-MKN-D50	ZA	ZA	ZA			F-2	8
23	TANK ASSY., FUEL	17500-MKY-D50	ZH	ZC	ZG			F-21	7
24	TRIM, FUEL TANK	17516-KCZ-000	ZB	ZB	ZB			F-21	8
25	WHEEL SUB ASSY., FR.	44650-MKY-D50	ZA	ZA	ZA			F-14-40	7
26	WHEEL SUB ASSY., RR.	42650-MKY-D50	ZA	ZA	ZA			F-19-40	10



CB650RA (CB650RAM).....KO,U

No.	MODEL		CB650RAM						
	COLOR		Mat gunpowder black metallic NH-436M	Pearl smoky gray NH-C53P	Mat jeans blue metallic PB-417M	Applicable model		Applicable block No.	Ref. No.
	CODE		NH436	NHC53	PB417	Initial applicable model	Final applicable model		
	Name of colored parts	Basic part No.							
1	BODY SET, FRAME	50010-MKY-D50	ZA	ZA	ZA			F-39	1
2	BRACKET B, L. ENGINE HANGER	50212-MKN-D50	ZA	ZA	ZA			F-39	3
3	BRACKET B, R. ENGINE HANGER	50211-MKN-D50	ZA	ZA	ZA			F-39	2
4	COVER ASSY., FUEL TANK FR.	17570-MKY-D50	ZG	ZJ	ZB			F-21	18
5	COVER SET, RR. FENDER STAY UPPER	80150-MKY-D50	ZA	ZA	ZA			F-34	11
6	COWL A, L. RR.	77241-MKY-D50	ZB	ZB	ZB			F-23	16
7	COWL A, R. RR.	77231-MKY-D50	ZB	ZB	ZB			F-23	12
8	FENDER SET, FR.	61110-MKN-D50	ZC	-	ZA			F-10	3
9	FENDER SET, FR.	61110-MKY-D50	-	ZF	-			F-10	3
10	MARK, ABS	86611-MGZ-D10	ZA	ZC	ZA			F-50	4
11	MARK, HONDA	86102-MGZ-J00	ZA	ZA	ZA			F-50	1
12	MARK, L. WING	86202-MKN-D50	ZB	-	ZD			F-50	3
13	MARK, L. WING	86202-MKY-D50	-	ZD	-			F-50	3
14	MARK, R. WING	86201-MKN-D50	ZB	-	ZD			F-50	2
15	MARK, R. WING	86201-MKY-D50	-	ZD	-			F-50	2
16	MARK, SHROUD A	86641-MKN-D50	ZA	ZA	ZA			F-50	5
17	RIM, HEADLIGHT	64241-MKN-D50	ZA	ZA	ZA			F-1	10
18	SEAT ASSY., MAIN	77100-MKY-D51	ZA	ZA	ZA			F-23	3
19	SEAT ASSY., PILLION	77300-MKY-D51	ZA	ZA	ZA			F-23	17
20	SHROUD SET A, L.	64410-MKN-D50	ZA	ZA	ZA			F-22	6
21	SHROUD SET A, R.	64310-MKN-D50	ZA	ZA	ZA			F-22	1
22	STAY, METER	61312-MKN-D50	ZA	ZA	ZA			F-2	8
23	TANK ASSY., FUEL	17500-MKY-D50	ZH	ZC	ZB			F-21	7
24	TRIM, FUEL TANK	17516-KCZ-000	ZB	ZB	ZB			F-21	8
25	WHEEL SUB ASSY., FR.	44650-MKY-D50	ZA	ZA	ZA			F-14-40	7
26	WHEEL SUB ASSY., RR.	42650-MKY-D50	ZA	ZA	ZA			F-19-40	10

CB650RA (CB650RAN).....3ED,ED

No.	MODEL		CB650RAN							
	COLOR		Mat gunpowder black metallic NH-436M	Sword silver metallic NH-A95M	Mat jeans blue metallic PB-417M	Candy chromosphere red R-381C	Applicable model		Applicable block No.	Ref. No.
	CODE		NH436	NHA95	PB417	R381	Initial applicable model	Final applicable model		
	Name of colored parts	Basic part No.								
1	BODY SET, FRAME	50010-MKY-D50	ZA	ZA	ZA	ZA			F-39	1
2	BRACKET B, L. ENGINE HANGER	50212-MKN-D50	ZA	ZA	ZA	ZA			F-39	3
3	BRACKET B, R. ENGINE HANGER	50211-MKN-D50	ZA	ZA	ZA	ZA			F-39	2
4	COVER ASSY., FUEL TANK FR.	17570-MKY-D50	ZG	ZR	ZB	ZA			F-21	18
5	COVER SET, RR. FENDER STAY UPPER	80150-MKY-D50	ZA	ZA	ZA	ZA			F-34	11
6	COWL A, L. RR.	77241-MKY-D50	ZB	ZB	ZB	ZB			F-23	16
7	COWL A, R. RR.	77231-MKY-D50	ZB	ZB	ZB	ZB			F-23	12
8	FENDER SET, FR.	61110-MKN-D50	ZC	ZC	ZC	ZC			F-10	3
9	MARK, ABS	86611-MGZ-D10	ZA	ZA	ZA	ZA			F-50	4
10	MARK, HONDA	86102-MGZ-J00	ZA	ZA	ZA	ZA			F-50	1
11	MARK, L. WING	86202-MKN-D50	ZB	-	ZD	ZF			F-50	3
12	MARK, L. WING	86202-MKY-D40	-	ZA	-	-			F-50	3
13	MARK, R. WING	86201-MKN-D50	ZB	-	ZD	ZF			F-50	2
14	MARK, R. WING	86201-MKY-D40	-	ZA	-	-			F-50	2
15	MARK, SHROUD A	86641-MKN-D50	ZA	ZA	ZA	ZA			F-50	5
16	RIM, HEADLIGHT	64241-MKN-D50	ZA	ZA	ZA	ZA			F-1	10
17	SEAT ASSY., MAIN	77100-MKY-D51	ZA	ZA	ZA	ZA			F-23	3
18	SEAT ASSY., PILLION	77300-MKY-D51	ZA	ZA	ZA	ZA			F-23	17
19	SHROUD SET A, L.	64410-MKN-D50	ZA	ZA	ZA	ZA			F-22	6
20	SHROUD SET A, R.	64310-MKN-D50	ZA	ZA	ZA	ZA			F-22	1
21	STAY, METER	61312-MKN-D50	ZA	ZA	ZA	ZA			F-2	8
22	TANK ASSY., FUEL	17500-MKY-D40	-	ZA	-	-			F-21	7
23	TANK ASSY., FUEL	17500-MKY-D50	ZH	-	ZB	ZG			F-21	7
24	TRIM, FUEL TANK	17516-KCZ-000	ZB	ZB	ZB	ZB			F-21	8
25	WHEEL SUB ASSY., FR.	44650-MKY-D50	ZA	ZA	ZA	ZA			F-14-40	7
26	WHEEL SUB ASSY., RR.	42650-MKY-D50	ZA	ZA	ZA	ZA			F-19-40	10



CB650RA (CB650RAN).....3FO

No.	MODEL		CB650RAN						
	COLOR		Mat gunpowder black metallic NH-436M	Mat jeans blue metallic PB-417M	Candy chromosphere red R-381C	Applicable model		Applicable block No.	Ref. No.
	CODE		NH436	PB417	R381	Initial applicable model	Final applicable model		
	Name of colored parts	Basic part No.							
1	BODY SET, FRAME	50010-MKY-D50	ZA	ZA	ZA			F-39	1
2	BRACKET B, L. ENGINE HANGER	50212-MKN-D50	ZA	ZA	ZA			F-39	3
3	BRACKET B, R. ENGINE HANGER	50211-MKN-D50	ZA	ZA	ZA			F-39	2
4	COVER ASSY., FUEL TANK FR.	17570-MKY-D50	ZG	ZB	ZA			F-21	18
5	COVER SET, RR. FENDER STAY UPPER	80150-MKY-D50	ZA	ZA	ZA			F-34	11
6	COWL A, L. RR.	77241-MKY-D50	ZB	ZB	ZB			F-23	16
7	COWL A, R. RR.	77231-MKY-D50	ZB	ZB	ZB			F-23	12
8	FENDER SET, FR.	61110-MKN-D50	ZC	ZC	ZC			F-10	3
9	MARK, ABS	86611-MGZ-D10	ZA	ZA	ZA			F-50	4
10	MARK, HONDA	86102-MGZ-J00	ZA	ZA	ZA			F-50	1
11	MARK, L. WING	86202-MKN-D50	ZB	ZD	ZF			F-50	3
12	MARK, R. WING	86201-MKN-D50	ZB	ZD	ZF			F-50	2
13	MARK, SHROUD A	86641-MKN-D50	ZA	ZA	ZA			F-50	5
14	RIM, HEADLIGHT	64241-MKN-D50	ZA	ZA	ZA			F-1	10
15	SEAT ASSY., MAIN	77100-MKY-D51	ZA	ZA	ZA			F-23	3
16	SEAT ASSY., PILLION	77300-MKY-D51	ZA	ZA	ZA			F-23	17
17	SHROUD SET A, L.	64410-MKN-D50	ZA	ZA	ZA			F-22	6
18	SHROUD SET A, R.	64310-MKN-D50	ZA	ZA	ZA			F-22	1
19	STAY, METER	61312-MKN-D50	ZA	ZA	ZA			F-2	8
20	TANK ASSY., FUEL	17500-MKY-D50	ZH	ZB	ZG			F-21	7
21	TRIM, FUEL TANK	17516-KCZ-000	ZB	ZB	ZB			F-21	8
22	WHEEL SUB ASSY., FR.	44650-MKY-D50	ZA	ZA	ZA			F-14-40	7
23	WHEEL SUB ASSY., RR.	42650-MKY-D50	ZA	ZA	ZA			F-19-40	10

CB650RA (CB650RAN).....CH

No.	MODEL		CB650RAN						
	COLOR		Mat gunpowder black metallic NH-436M	Sword silver metallic NH-A95M	Candy chromosphere red R-381C	Applicable model		Applicable block No.	Ref. No.
	CODE		NH436	NHA95	R381	Initial applicable model	Final applicable model		
	Name of colored parts	Basic part No.							
1	BODY SET, FRAME	50010-MKY-D50	ZA	ZA	ZA			F-39	1
2	BRACKET B, L. ENGINE HANGER	50212-MKN-D50	ZA	ZA	ZA			F-39	3
3	BRACKET B, R. ENGINE HANGER	50211-MKN-D50	ZA	ZA	ZA			F-39	2
4	COVER ASSY., FUEL TANK FR.	17570-MKY-D50	ZG	ZR	ZA			F-21	18
5	COVER SET, RR. FENDER STAY UPPER	80150-MKY-D50	ZA	ZA	ZA			F-34	11
6	COWL A, L. RR.	77241-MKY-D50	ZB	ZB	ZB			F-23	16
7	COWL A, R. RR.	77231-MKY-D50	ZB	ZB	ZB			F-23	12
8	FENDER SET, FR.	61110-MKN-D50	ZC	ZC	ZC			F-10	3
9	MARK, ABS	86611-MGZ-D10	ZA	ZA	ZA			F-50	4
10	MARK, HONDA	86102-MGZ-J00	ZA	ZA	ZA			F-50	1
11	MARK, L. WING	86202-MKN-D50	ZB	-	ZF			F-50	3
12	MARK, L. WING	86202-MKY-D40	-	ZA	-			F-50	3
13	MARK, R. WING	86201-MKN-D50	ZB	-	ZF			F-50	2
14	MARK, R. WING	86201-MKY-D40	-	ZA	-			F-50	2
15	MARK, SHROUD A	86641-MKN-D50	ZA	ZA	ZA			F-50	5
16	RIM, HEADLIGHT	64241-MKN-D50	ZA	ZA	ZA			F-1	10
17	SEAT ASSY., MAIN	77100-MKY-D51	ZA	ZA	ZA			F-23	3
18	SEAT ASSY., PILLION	77300-MKY-D51	ZA	ZA	ZA			F-23	17
19	SHROUD SET A, L.	64410-MKN-D50	ZA	ZA	ZA			F-22	6
20	SHROUD SET A, R.	64310-MKN-D50	ZA	ZA	ZA			F-22	1
21	STAY, METER	61312-MKN-D50	ZA	ZA	ZA			F-2	8
22	TANK ASSY., FUEL	17500-MKY-H40	-	ZA	-			F-21	7
23	TANK ASSY., FUEL	17500-MKY-H50	ZC	-	ZB			F-21	7
24	TRIM, FUEL TANK	17516-KCZ-000	ZB	ZB	ZB			F-21	8
25	WHEEL SUB ASSY., FR.	44650-MKY-D50	ZA	ZA	ZA			F-14-40	7
26	WHEEL SUB ASSY., RR.	42650-MKY-D50	ZA	ZA	ZA			F-19-40	10



CB650RA (CB650RAN).....FO

No.	MODEL		CB650RAN						
	COLOR		Mat gunpowder black metallic NH-436M	Pearl smoky gray NH-C53P	Candy chromosphere red R-381C	Applicable model		Applicable block No.	Ref. No.
	CODE		NH436	NHC53	R381	Initial applicable model	Final applicable model		
	Name of colored parts	Basic part No.							
1	BODY SET, FRAME	50010-MKY-D50	ZA	ZA	ZA			F-39	1
2	BRACKET B, L. ENGINE HANGER	50212-MKN-D50	ZA	ZA	ZA			F-39	3
3	BRACKET B, R. ENGINE HANGER	50211-MKN-D50	ZA	ZA	ZA			F-39	2
4	COVER ASSY., FUEL TANK FR.	17570-MKY-D50	ZG	ZJ	ZA			F-21	18
5	COVER SET, RR. FENDER STAY UPPER	80150-MKY-D50	ZA	ZA	ZA			F-34	11
6	COWL A, L. RR.	77241-MKY-D50	ZB	ZB	ZB			F-23	16
7	COWL A, R. RR.	77231-MKY-D50	ZB	ZB	ZB			F-23	12
8	FENDER SET, FR.	61110-MKN-D50	ZC	-	-			F-10	3
9	FENDER SET, FR.	61110-MKY-D50	-	ZF	ZD			F-10	3
10	MARK, ABS	86611-MGZ-D10	ZA	ZC	ZC			F-50	4
11	MARK, HONDA	86102-MGZ-J00	ZA	ZA	ZA			F-50	1
12	MARK, L. WING	86202-MKN-D50	ZB	-	ZF			F-50	3
13	MARK, L. WING	86202-MKY-D50	-	ZD	-			F-50	3
14	MARK, R. WING	86201-MKN-D50	ZB	-	ZF			F-50	2
15	MARK, R. WING	86201-MKY-D50	-	ZD	-			F-50	2
16	MARK, SHROUD A	86641-MKN-D50	ZA	ZA	ZA			F-50	5
17	RIM, HEADLIGHT	64241-MKN-D50	ZA	ZA	ZA			F-1	10
18	SEAT ASSY., MAIN	77100-MKY-D51	ZA	ZA	ZA			F-23	3
19	SEAT ASSY., PILLION	77300-MKY-D51	ZA	ZA	ZA			F-23	17
20	SHROUD SET A, L.	64410-MKN-D50	ZA	ZA	ZA			F-22	6
21	SHROUD SET A, R.	64310-MKN-D50	ZA	ZA	ZA			F-22	1
22	STAY, METER	61312-MKN-D50	ZA	ZA	ZA			F-2	8
23	TANK ASSY., FUEL	17500-MKY-D50	ZH	ZC	ZG			F-21	7
24	TRIM, FUEL TANK	17516-KCZ-000	ZB	ZB	ZB			F-21	8
25	WHEEL SUB ASSY., FR.	44650-MKY-D50	ZA	ZA	ZA			F-14-40	7
26	WHEEL SUB ASSY., RR.	42650-MKY-D50	ZA	ZA	ZA			F-19-40	10

CB650RA (CB650RAN).....IN,MA

No.	MODEL		CB650RAN							
	COLOR		Mat gunpowder black metallic NH-436M	Sword silver metallic NH-A95M	Mat jeans blue metallic PB-417M	Candy chromosphere red R-381C	Applicable model		Applicable block No.	Ref. No.
	CODE		NH436	NHA95	PB417	R381	Initial applicable model	Final applicable model		
	Name of colored parts	Basic part No.								
1	BODY SET, FRAME	50010-MKY-D50	ZA	ZA	ZA	ZA			F-39	1
2	BRACKET B, L. ENGINE HANGER	50212-MKN-D50	ZA	ZA	ZA	ZA			F-39	3
3	BRACKET B, R. ENGINE HANGER	50211-MKN-D50	ZA	ZA	ZA	ZA			F-39	2
4	COVER ASSY., FUEL TANK FR.	17570-MKY-D50	ZG	ZR	ZB	ZA			F-21	18
5	COVER SET, RR. FENDER STAY UPPER	80150-MKY-D50	ZA	ZA	ZA	ZA			F-34	11
6	COWL A, L. RR.	77241-MKY-D50	ZB	ZB	ZB	ZB			F-23	16
7	COWL A, R. RR.	77231-MKY-D50	ZB	ZB	ZB	ZB			F-23	12
8	FENDER SET, FR.	61110-MKN-D50	ZC	ZC	ZC	ZC			F-10	3
9	MARK, ABS	86611-MGZ-D10	ZA	ZA	ZA	ZA			F-50	4
10	MARK, HONDA	86102-MGZ-J00	ZA	ZA	ZA	ZA			F-50	1
11	MARK, L. WING	86202-MKN-D50	ZB	-	ZD	ZF			F-50	3
12	MARK, L. WING	86202-MKY-D40	-	ZA	-	-			F-50	3
13	MARK, R. WING	86201-MKN-D50	ZB	-	ZD	ZF			F-50	2
14	MARK, R. WING	86201-MKY-D40	-	ZA	-	-			F-50	2
15	MARK, SHROUD A	86641-MKN-D50	ZA	ZA	ZA	ZA			F-50	5
16	RIM, HEADLIGHT	64241-MKN-D50	ZA	ZA	ZA	ZA			F-1	10
17	SEAT ASSY., MAIN	77100-MKY-D51	ZA	ZA	ZA	ZA			F-23	3
18	SEAT ASSY., PILLION	77300-MKY-D51	ZA	ZA	ZA	ZA			F-23	17
19	SHROUD SET A, L.	64410-MKN-D50	ZA	ZA	ZA	ZA			F-22	6
20	SHROUD SET A, R.	64310-MKN-D50	ZA	ZA	ZA	ZA			F-22	1
21	STAY, METER	61312-MKN-D50	ZA	ZA	ZA	ZA			F-2	8
22	TANK ASSY., FUEL	17500-MKY-D40	-	ZA	-	-			F-21	7
23	TANK ASSY., FUEL	17500-MKY-D50	ZH	-	ZB	ZG			F-21	7
24	TRIM, FUEL TANK	17516-KCZ-000	ZB	ZB	ZB	ZB			F-21	8
25	WHEEL SUB ASSY., FR.	44650-MKY-D50	ZA	ZA	ZA	ZA			F-14-40	7
26	WHEEL SUB ASSY., RR.	42650-MKY-D50	ZA	ZA	ZA	ZA			F-19-40	10



CB650RA (CB650RAN).....KO,U

No.	MODEL		CB650RAN						
	COLOR		Mat gunpowder black metallic NH-436M	Sword silver metallic NH-A95M	Mat jeans blue matallic PB-417M	Applicable model		Applicable block No.	Ref. No.
	CODE		NH436	NHA95	PB417	Initial applicable model	Final applicable model		
	Name of colored parts	Basic part No.							
1	BODY SET, FRAME	50010-MKY-D50	ZA	ZA	ZA			F-39	1
2	BRACKET B, L. ENGINE HANGER	50212-MKN-D50	ZA	ZA	ZA			F-39	3
3	BRACKET B, R. ENGINE HANGER	50211-MKN-D50	ZA	ZA	ZA			F-39	2
4	COVER ASSY., FUEL TANK FR.	17570-MKY-D50	ZG	ZR	ZB			F-21	18
5	COVER SET, RR. FENDER STAY UPPER	80150-MKY-D50	ZA	ZA	ZA			F-34	11
6	COWL A, L. RR.	77241-MKY-D50	ZB	ZB	ZB			F-23	16
7	COWL A, R. RR.	77231-MKY-D50	ZB	ZB	ZB			F-23	12
8	FENDER SET, FR.	61110-MKN-D50	ZC	ZC	ZC			F-10	3
9	MARK, ABS	86611-MGZ-D10	ZA	ZA	ZA			F-50	4
10	MARK, HONDA	86102-MGZ-J00	ZA	ZA	ZA			F-50	1
11	MARK, L. WING	86202-MKN-D50	ZB	-	ZD			F-50	3
12	MARK, L. WING	86202-MKY-D40	-	ZA	-			F-50	3
13	MARK, R. WING	86201-MKN-D50	ZB	-	ZD			F-50	2
14	MARK, R. WING	86201-MKY-D40	-	ZA	-			F-50	2
15	MARK, SHROUD A	86641-MKN-D50	ZA	ZA	ZA			F-50	5
16	RIM, HEADLIGHT	64241-MKN-D50	ZA	ZA	ZA			F-1	10
17	SEAT ASSY., MAIN	77100-MKY-D51	ZA	ZA	ZA			F-23	3
18	SEAT ASSY., PILLION	77300-MKY-D51	ZA	ZA	ZA			F-23	17
19	SHROUD SET A, L.	64410-MKN-D50	ZA	ZA	ZA			F-22	6
20	SHROUD SET A, R.	64310-MKN-D50	ZA	ZA	ZA			F-22	1
21	STAY, METER	61312-MKN-D50	ZA	ZA	ZA			F-2	8
22	TANK ASSY., FUEL	17500-MKY-D40	-	ZA	-			F-21	7
23	TANK ASSY., FUEL	17500-MKY-D50	ZH	-	ZB			F-21	7
24	TRIM, FUEL TANK	17516-KCZ-000	ZB	ZB	ZB			F-21	8
25	WHEEL SUB ASSY., FR.	44650-MKY-D50	ZA	ZA	ZA			F-14-40	7
26	WHEEL SUB ASSY., RR.	42650-MKY-D50	ZA	ZA	ZA			F-19-40	10

CB650RA (CB650RAP).....2ED,4ED

No.	MODEL		CB650RAP				
	COLOR		Mat gunpowder black metallic NH-436M	Applicable model		Applicable block No.	Ref. No.
	CODE			Initial applicable model	Final applicable model		
	Name of colored parts	Basic part No.	NH436				
1	BODY SET, FRAME	50010-MKY-D50	ZA			F-39	1
2	BRACKET B, L. ENGINE HANGER	50212-MKN-D50	ZA			F-39	3
3	BRACKET B, R. ENGINE HANGER	50211-MKN-D50	ZA			F-39	2
4	COVER ASSY., FUEL TANK FR.	17570-MKY-D50	ZG			F-21	18
5	COVER SET, RR. FENDER STAY UPPER	80150-MKY-D50	ZA			F-34	11
6	COWL A, L. RR.	77241-MKY-D50	ZB			F-23	16
7	COWL A, R. RR.	77231-MKY-D50	ZB			F-23	12
8	EMBLEM	86642-MKY-DP0	ZA			F-50	7
9	FENDER SET, FR.	61110-MKN-D50	ZC			F-10	3
10	MARK	86641-MKY-DP0	ZA			F-50	6
11	MARK, ABS	86611-MGZ-D10	ZA			F-50	4
12	MARK, HONDA	86102-MGZ-J00	ZA			F-50	1
13	MARK, L. WING	86202-MKY-DP0	ZA			F-50	3
14	MARK, R. WING	86201-MKY-DP0	ZA			F-50	2
15	RIM, HEADLIGHT	64241-MKN-D50	ZA			F-1	10
16	SEAT ASSY., MAIN	77100-MKY-D51	ZA			F-23	3
17	SEAT ASSY., PILLION	77300-MKY-D51	ZA			F-23	17
18	SHROUD SET A, L.	64410-MKY-DP0	ZB			F-22	6
19	SHROUD SET A, R.	64310-MKY-DP0	ZB			F-22	1
20	STAY, METER	61312-MKN-D50	ZA			F-2	8
21	TANK ASSY., FUEL	17500-MKY-DP0	ZA			F-21	7
22	TRIM, FUEL TANK	17516-KCZ-000	ZB			F-21	8
23	WHEEL SUB ASSY., FR.	44650-MKY-D50	ZB			F-14-40	7
24	WHEEL SUB ASSY., RR.	42650-MKY-D50	ZB			F-19-40	10



CB650RA (CB650RAP).....2FO,2IN,2MA,2PH,2V

No.	MODEL		CB650RAP				
	COLOR		Mat gunpowder black metallic NH-436M	Applicable model		Applicable block No.	Ref. No.
	CODE			Initial applicable model	Final applicable model		
	Name of colored parts	Basic part No.	NH436				
1	BODY SET, FRAME	50010-MKY-D50	ZA			F-39	1
2	BRACKET B, L. ENGINE HANGER	50212-MKN-D50	ZA			F-39	3
3	BRACKET B, R. ENGINE HANGER	50211-MKN-D50	ZA			F-39	2
4	COVER ASSY., FUEL TANK FR.	17570-MKY-D50	ZG			F-21	18
5	COVER SET, RR. FENDER STAY UPPER	80150-MKY-D50	ZA			F-34	11
6	COWL A, L. RR.	77241-MKY-D50	ZB			F-23	16
7	COWL A, R. RR.	77231-MKY-D50	ZB			F-23	12
8	EMBLEM	86642-MKY-DP0	ZA			F-50	7
9	FENDER SET, FR.	61110-MKN-D50	ZC			F-10	3
10	MARK	86641-MKY-DP0	ZA			F-50	6
11	MARK, ABS	86611-MGZ-D10	ZA			F-50	4
12	MARK, HONDA	86102-MGZ-J00	ZA			F-50	1
13	MARK, L. WING	86202-MKY-DP0	ZA			F-50	3
14	MARK, R. WING	86201-MKY-DP0	ZA			F-50	2
15	RIM, HEADLIGHT	64241-MKN-D50	ZA			F-1	10
16	SEAT ASSY., MAIN	77100-MKY-D51	ZA			F-23	3
17	SEAT ASSY., PILLION	77300-MKY-D51	ZA			F-23	17
18	SHROUD SET A, L.	64410-MKY-DP0	ZB			F-22	6
19	SHROUD SET A, R.	64310-MKY-DP0	ZB			F-22	1
20	STAY, METER	61312-MKN-D50	ZA			F-2	8
21	TANK ASSY., FUEL	17500-MKY-DP0	ZA			F-21	7
22	TRIM, FUEL TANK	17516-KCZ-000	ZB			F-21	8
23	WHEEL SUB ASSY., FR.	44650-MKY-D50	ZB			F-14-40	7
24	WHEEL SUB ASSY., RR.	42650-MKY-D50	ZB			F-19-40	10

CB650RA (CB650RAp).....2KO,2RU,2U

No.	MODEL		CB650RAP				
	COLOR		Mat gunpowder black metallic NH-436M	Applicable model		Applicable block No.	Ref. No.
	CODE			Initial applicable model	Final applicable model		
	Name of colored parts	Basic part No.	NH436				
1	BODY SET, FRAME	50010-MKY-D50	ZA			F-39	1
2	BRACKET B, L. ENGINE HANGER	50212-MKN-D50	ZA			F-39	3
3	BRACKET B, R. ENGINE HANGER	50211-MKN-D50	ZA			F-39	2
4	COVER ASSY., FUEL TANK FR.	17570-MKY-D50	ZG			F-21	18
5	COVER SET, RR. FENDER STAY UPPER	80150-MKY-D50	ZA			F-34	11
6	COWL A, L. RR.	77241-MKY-D50	ZB			F-23	16
7	COWL A, R. RR.	77231-MKY-D50	ZB			F-23	12
8	EMBLEM	86642-MKY-DP0	ZA			F-50	7
9	FENDER SET, FR.	61110-MKN-D50	ZC			F-10	3
10	MARK	86641-MKY-DP0	ZA			F-50	6
11	MARK, ABS	86611-MGZ-D10	ZA			F-50	4
12	MARK, HONDA	86102-MGZ-J00	ZA			F-50	1
13	MARK, L. WING	86202-MKY-DP0	ZA			F-50	3
14	MARK, R. WING	86201-MKY-DP0	ZA			F-50	2
15	RIM, HEADLIGHT	64241-MKN-D50	ZA			F-1	10
16	SEAT ASSY., MAIN	77100-MKY-D51	ZA			F-23	3
17	SEAT ASSY., PILLION	77300-MKY-D51	ZA			F-23	17
18	SHROUD SET A, L.	64410-MKY-DP0	ZB			F-22	6
19	SHROUD SET A, R.	64310-MKY-DP0	ZB			F-22	1
20	STAY, METER	61312-MKN-D50	ZA			F-2	8
21	TANK ASSY., FUEL	17500-MKY-DP0	ZA			F-21	7
22	TRIM, FUEL TANK	17516-KCZ-000	ZB			F-21	8
23	WHEEL SUB ASSY., FR.	44650-MKY-D50	ZB			F-14-40	7
24	WHEEL SUB ASSY., RR.	42650-MKY-D50	ZB			F-19-40	10



CB650RA (CB650RAP).....3ED,ED

No.	MODEL		CB650RAP						
	COLOR		Mat dim gray metallic NH-C34M	Mat jeans blue metallic PB-417M	Candy chromosphere red R-381C	Applicable model		Applicable block No.	Ref. No.
	CODE		NHC34	PB417	R381	Initial applicable model	Final applicable model		
	Name of colored parts	Basic part No.							
1	BODY SET, FRAME	50010-MKY-D50	ZA	ZA	ZA			F-39	1
2	BRACKET B, L. ENGINE HANGER	50212-MKN-D50	ZA	ZA	ZA			F-39	3
3	BRACKET B, R. ENGINE HANGER	50211-MKN-D50	ZA	ZA	ZA			F-39	2
4	COVER ASSY., FUEL TANK FR.	17570-MKY-D50	ZT	ZB	ZA			F-21	18
5	COVER SET, RR. FENDER STAY UPPER	80150-MKY-D50	ZA	ZA	ZA			F-34	11
6	COWL A, L. RR.	77241-MKY-D50	ZB	ZB	ZB			F-23	16
7	COWL A, R. RR.	77231-MKY-D50	ZB	ZB	ZB			F-23	12
8	FENDER SET, FR.	61110-MKN-D50	ZC	ZC	ZC			F-10	3
9	MARK, ABS	86611-MGZ-D10	ZA	ZA	ZA			F-50	4
10	MARK, HONDA	86102-MGZ-J00	ZA	ZA	ZA			F-50	1
11	MARK, L. WING	86202-MKN-D50	-	ZD	ZF			F-50	3
12	MARK, L. WING	86202-MKY-DN0	ZB	-	-			F-50	3
13	MARK, R. WING	86201-MKN-D50	-	ZD	ZF			F-50	2
14	MARK, R. WING	86201-MKY-DN0	ZB	-	-			F-50	2
15	MARK, SHROUD A	86641-MKY-DN0	ZA	ZA	ZA			F-50	5
16	RIM, HEADLIGHT	64241-MKN-D50	ZA	ZA	ZA			F-1	10
17	SEAT ASSY., MAIN	77100-MKY-D51	ZA	ZA	ZA			F-23	3
18	SEAT ASSY., PILLION	77300-MKY-D51	ZA	ZA	ZA			F-23	17
19	SHROUD SET A, L.	64410-MKY-DN0	ZA	ZA	ZA			F-22	6
20	SHROUD SET A, R.	64310-MKY-DN0	ZA	ZA	ZA			F-22	1
21	STAY, METER	61312-MKN-D50	ZA	ZA	ZA			F-2	8
22	TANK ASSY., FUEL	17500-MKY-DN0	ZJ	ZH	ZG			F-21	7
23	TRIM, FUEL TANK	17516-KCZ-000	ZB	ZB	ZB			F-21	8
24	WHEEL SUB ASSY., FR.	44650-MKY-D50	ZA	ZA	ZA			F-14-40	7
25	WHEEL SUB ASSY., RR.	42650-MKY-D50	ZA	ZA	ZA			F-19-40	10

CB650RA (CB650RAP).....3FO,IN,MA,PH,V

No.	MODEL		CB650RAP						
	COLOR		Mat dim gray metallic NH-C34M	Mat jeans blue metallic PB-417M	Candy chromosphere red R-381C	Applicable model		Applicable block No.	Ref. No.
	CODE		NHC34	PB417	R381	Initial applicable model	Final applicable model		
	Name of colored parts	Basic part No.							
1	BODY SET, FRAME	50010-MKY-D50	ZA	ZA	ZA			F-39	1
2	BRACKET B, L. ENGINE HANGER	50212-MKN-D50	ZA	ZA	ZA			F-39	3
3	BRACKET B, R. ENGINE HANGER	50211-MKN-D50	ZA	ZA	ZA			F-39	2
4	COVER ASSY., FUEL TANK FR.	17570-MKY-D50	ZT	ZB	ZA			F-21	18
5	COVER SET, RR. FENDER STAY UPPER	80150-MKY-D50	ZA	ZA	ZA			F-34	11
6	COWL A, L. RR.	77241-MKY-D50	ZB	ZB	ZB			F-23	16
7	COWL A, R. RR.	77231-MKY-D50	ZB	ZB	ZB			F-23	12
8	FENDER SET, FR.	61110-MKN-D50	ZC	ZC	ZC			F-10	3
9	MARK, ABS	86611-MGZ-D10	ZA	ZA	ZA			F-50	4
10	MARK, HONDA	86102-MGZ-J00	ZA	ZA	ZA			F-50	1
11	MARK, L. WING	86202-MKN-D50	-	ZD	ZF			F-50	3
12	MARK, L. WING	86202-MKY-DN0	ZB	-	-			F-50	3
13	MARK, R. WING	86201-MKN-D50	-	ZD	ZF			F-50	2
14	MARK, R. WING	86201-MKY-DN0	ZB	-	-			F-50	2
15	MARK, SHROUD A	86641-MKY-DN0	ZA	ZA	ZA			F-50	5
16	RIM, HEADLIGHT	64241-MKN-D50	ZA	ZA	ZA			F-1	10
17	SEAT ASSY., MAIN	77100-MKY-D51	ZA	ZA	ZA			F-23	3
18	SEAT ASSY., PILLION	77300-MKY-D51	ZA	ZA	ZA			F-23	17
19	SHROUD SET A, L.	64410-MKY-DN0	ZA	ZA	ZA			F-22	6
20	SHROUD SET A, R.	64310-MKY-DN0	ZA	ZA	ZA			F-22	1
21	STAY, METER	61312-MKN-D50	ZA	ZA	ZA			F-2	8
22	TANK ASSY., FUEL	17500-MKY-DN0	ZJ	ZH	ZG			F-21	7
23	TRIM, FUEL TANK	17516-KCZ-000	ZB	ZB	ZB			F-21	8
24	WHEEL SUB ASSY., FR.	44650-MKY-D50	ZA	ZA	ZA			F-14-40	7
25	WHEEL SUB ASSY., RR.	42650-MKY-D50	ZA	ZA	ZA			F-19-40	10



CB650RA (CB650RAP).....KO,RU,U

No.	MODEL		CB650RAP						
	COLOR		Mat dim gray metallic NH-C34M	Mat jeans blue metallic PB-417M	Candy chromosphere red R-381C	Applicable model		Applicable block No.	Ref. No.
	CODE		NHC34	PB417	R381	Initial applicable model	Final applicable model		
	Name of colored parts	Basic part No.							
1	BODY SET, FRAME	50010-MKY-D50	ZA	ZA	ZA			F-39	1
2	BRACKET B, L. ENGINE HANGER	50212-MKN-D50	ZA	ZA	ZA			F-39	3
3	BRACKET B, R. ENGINE HANGER	50211-MKN-D50	ZA	ZA	ZA			F-39	2
4	COVER ASSY., FUEL TANK FR.	17570-MKY-D50	ZT	ZB	ZA			F-21	18
5	COVER SET, RR. FENDER STAY UPPER	80150-MKY-D50	ZA	ZA	ZA			F-34	11
6	COWL A, L. RR.	77241-MKY-D50	ZB	ZB	ZB			F-23	16
7	COWL A, R. RR.	77231-MKY-D50	ZB	ZB	ZB			F-23	12
8	FENDER SET, FR.	61110-MKN-D50	ZC	ZC	ZC			F-10	3
9	MARK, ABS	86611-MGZ-D10	ZA	ZA	ZA			F-50	4
10	MARK, HONDA	86102-MGZ-J00	ZA	ZA	ZA			F-50	1
11	MARK, L. WING	86202-MKN-D50	-	ZD	ZF			F-50	3
12	MARK, L. WING	86202-MKY-DN0	ZB	-	-			F-50	3
13	MARK, R. WING	86201-MKN-D50	-	ZD	ZF			F-50	2
14	MARK, R. WING	86201-MKY-DN0	ZB	-	-			F-50	2
15	MARK, SHROUD A	86641-MKY-DN0	ZA	ZA	ZA			F-50	5
16	RIM, HEADLIGHT	64241-MKN-D50	ZA	ZA	ZA			F-1	10
17	SEAT ASSY., MAIN	77100-MKY-D51	ZA	ZA	ZA			F-23	3
18	SEAT ASSY., PILLION	77300-MKY-D51	ZA	ZA	ZA			F-23	17
19	SHROUD SET A, L.	64410-MKY-DN0	ZA	ZA	ZA			F-22	6
20	SHROUD SET A, R.	64310-MKY-DN0	ZA	ZA	ZA			F-22	1
21	STAY, METER	61312-MKN-D50	ZA	ZA	ZA			F-2	8
22	TANK ASSY., FUEL	17500-MKY-DN0	ZJ	ZH	ZG			F-21	7
23	TRIM, FUEL TANK	17516-KCZ-000	ZB	ZB	ZB			F-21	8
24	WHEEL SUB ASSY., FR.	44650-MKY-D50	ZA	ZA	ZA			F-14-40	7
25	WHEEL SUB ASSY., RR.	42650-MKY-D50	ZA	ZA	ZA			F-19-40	10

CBR650RA (CBR650RAM).....2CH

No.	MODEL		CBR650RAM				
	COLOR		Grand prix red	Applicable model		Applicable block No.	Ref. No.
	CODE		R-380	Initial applicable model	Final applicable model		
	Name of colored parts	Basic part No.	R380				
1	BODY SET, FRAME	50010-MKY-D10	ZA			F-39	1
2	BRACKET B, L. ENGINE HANGER	50212-MKN-D50	ZA			F-39	3
3	BRACKET B, R. ENGINE HANGER	50211-MKN-D50	ZA			F-39	2
4	COVER ASSY., FUEL TANK FR.	17570-MKY-D50	ZF			F-21	18
5	COVER SET, RR. FENDER STAY UPPER	80150-MKY-D50	ZA			F-34	11
6	COWL ASSY., R. UNDER	64275-MKY-D10	ZA			F-46	5
7	COWL SET A, L. MIDDLE	64220-MKY-D30	ZB			F-45	3
8	COWL SET A, L. RR.	77240-MKY-D30	ZB			F-23	16
9	COWL SET A, R. MIDDLE	64210-MKY-D30	ZB			F-45	2
10	COWL SET A, R. RR.	77230-MKY-D30	ZB			F-23	12
11	COWL SET, FR. UPPER	64110-MKY-D30	ZB			F-43	2
12	COWL SET, L. UNDER	64300-MKN-D10	ZA			F-46	6
13	FENDER SET, FR.	61110-MKN-D50	ZB			F-10	3
14	MARK, ABS	86611-MGZ-D10	ZC			F-50-1	15
15	MARK, HONDA	86101-MJE-D00	ZA			F-50-1	3
16	MARK, HONDA	86102-MGZ-J00	ZA			F-50-1	4
17	MARK, L.	86104-MKN-D10	ZB			F-50-1	6
18	MARK, L. WING	86202-MKN-D50	ZA			F-50-1	14
19	MARK, R.	86103-MKN-D10	ZB			F-50-1	5
20	MARK, R. WING	86201-MKN-D50	ZA			F-50-1	13
21	SEAT ASSY., MAIN	77100-MKY-D51	ZB			F-23	3
22	SEAT ASSY., PILLION	77300-MKY-D51	ZB			F-23	17
23	STRIPE A, L. MIDDLE COWL A	86642-MKY-D30	ZB			F-50-1	18
24	STRIPE A, R. MIDDLE COWL A	86641-MKY-D30	ZB			F-50-1	17
25	STRIPE B, L. MIDDLE COWL A	86648-MKY-D30	ZB			F-50-1	27



CBR650RA (CBR650RAM).....2CH

No.	MODEL		CBR650RAM				
	COLOR		Grand prix red	Applicable model		Applicable block No.	Ref. No.
	CODE		R-380	Initial applicable model	Final applicable model		
	Name of colored parts	Basic part No.	R380				
26	STRIPE B, R. MIDDLE COWL A	86647-MKY-D30	ZB			F-50-1	25
27	STRIPE KIT, L. WHEEL	42880-MKY-D30	ZB			F-50-1	2
28	STRIPE KIT, R. WHEEL	42870-MKY-D30	ZB			F-50-1	1
29	STRIPE, FR. UPPER COWL	86643-MKY-D30	ZB			F-50-1	20
30	STRIPE, L. FUEL TANK	86172-MKY-D30	ZB			F-50-1	10
31	STRIPE, L. RR. COWL A	86772-MKY-D30	ZB			F-50-1	31
32	STRIPE, R. FUEL TANK	86171-MKY-D30	ZB			F-50-1	8
33	STRIPE, R. RR. COWL A	86771-MKY-D30	ZB			F-50-1	29
34	TANK ASSY., FUEL	17500-MKY-H30	ZA			F-21	7
35	TRIM, FUEL TANK	17516-KCZ-000	ZB			F-21	8
36	WHEEL SUB ASSY., FR.	44650-MKY-D30	ZA			F-14-40	7
37	WHEEL SUB ASSY., RR.	42650-MKY-D30	ZA			F-19-40	10
38	WINDSCREEN SET	67110-MKN-D10	ZA			F-43	8

CBR650RA (CBR650RAM).....2ED,4ED

No.	MODEL		CBR650RAM				
	COLOR		Grand prix red	Applicable model		Applicable block No.	Ref. No.
	CODE		R-380	Initial applicable model	Final applicable model		
	Name of colored parts	Basic part No.	R380				
1	BODY SET, FRAME	50010-MKY-D10	ZA			F-39	1
2	BRACKET B, L. ENGINE HANGER	50212-MKN-D50	ZA			F-39	3
3	BRACKET B, R. ENGINE HANGER	50211-MKN-D50	ZA			F-39	2
4	COVER ASSY., FUEL TANK FR.	17570-MKY-D50	ZF			F-21	18
5	COVER SET, RR. FENDER STAY UPPER	80150-MKY-D50	ZA			F-34	11
6	COWL ASSY., R. UNDER	64275-MKY-D10	ZA			F-46	5
7	COWL SET A, L. MIDDLE	64220-MKY-D30	ZB			F-45	3
8	COWL SET A, L. RR.	77240-MKY-D30	ZB			F-23	16
9	COWL SET A, R. MIDDLE	64210-MKY-D30	ZB			F-45	2
10	COWL SET A, R. RR.	77230-MKY-D30	ZB			F-23	12
11	COWL SET, FR. UPPER	64110-MKY-D30	ZB			F-43	2
12	COWL SET, L. UNDER	64300-MKN-D10	ZA			F-46	6
13	FENDER SET, FR.	61110-MKN-D50	ZB			F-10	3
14	MARK, ABS	86611-MGZ-D10	ZC			F-50-1	15
15	MARK, HONDA	86101-MJE-D00	ZA			F-50-1	3
16	MARK, HONDA	86102-MGZ-J00	ZA			F-50-1	4
17	MARK, L.	86104-MKN-D10	ZB			F-50-1	6
18	MARK, L. WING	86202-MKN-D50	ZA			F-50-1	14
19	MARK, R.	86103-MKN-D10	ZB			F-50-1	5
20	MARK, R. WING	86201-MKN-D50	ZA			F-50-1	13
21	SEAT ASSY., MAIN	77100-MKY-D51	ZB			F-23	3
22	SEAT ASSY., PILLION	77300-MKY-D51	ZB			F-23	17
23	STRIPE A, L. MIDDLE COWL A	86642-MKY-D30	ZB			F-50-1	18
24	STRIPE A, R. MIDDLE COWL A	86641-MKY-D30	ZB			F-50-1	17
25	STRIPE B, L. MIDDLE COWL A	86648-MKY-D30	ZB			F-50-1	27



CBR650RA (CBR650RAM).....2ED,4ED

No.	MODEL		CBR650RAM				
	COLOR		Grand prix red	Applicable model		Applicable block No.	Ref. No.
	CODE		R-380	Initial applicable model	Final applicable model		
	Name of colored parts	Basic part No.	R380				
26	STRIPE B, R. MIDDLE COWL A	86647-MKY-D30	ZB			F-50-1	25
27	STRIPE KIT, L. WHEEL	42880-MKY-D30	ZB			F-50-1	2
28	STRIPE KIT, R. WHEEL	42870-MKY-D30	ZB			F-50-1	1
29	STRIPE, FR. UPPER COWL	86643-MKY-D30	ZB			F-50-1	20
30	STRIPE, L. FUEL TANK	86172-MKY-D30	ZB			F-50-1	10
31	STRIPE, L. RR. COWL A	86772-MKY-D30	ZB			F-50-1	31
32	STRIPE, R. FUEL TANK	86171-MKY-D30	ZB			F-50-1	8
33	STRIPE, R. RR. COWL A	86771-MKY-D30	ZB			F-50-1	29
34	TANK ASSY., FUEL	17500-MKY-D30	ZB			F-21	7
35	TRIM, FUEL TANK	17516-KCZ-000	ZB			F-21	8
36	WHEEL SUB ASSY., FR.	44650-MKY-D30	ZA			F-14-40	7
37	WHEEL SUB ASSY., RR.	42650-MKY-D30	ZA			F-19-40	10
38	WINDSCREEN SET	67110-MKN-D10	ZA			F-43	8

CBR650RA (CBR650RAM).....2FO,2MA

No.	MODEL		CBR650RAM				
	COLOR		Grand prix red	Applicable model		Applicable block No.	Ref. No.
	CODE		R-380	Initial applicable model	Final applicable model		
	Name of colored parts	Basic part No.	R380				
1	BODY SET, FRAME	50010-MKY-D10	ZA			F-39	1
2	BRACKET B, L. ENGINE HANGER	50212-MKN-D50	ZA			F-39	3
3	BRACKET B, R. ENGINE HANGER	50211-MKN-D50	ZA			F-39	2
4	COVER ASSY., FUEL TANK FR.	17570-MKY-D50	ZF			F-21	18
5	COVER SET, RR. FENDER STAY UPPER	80150-MKY-D50	ZA			F-34	11
6	COWL ASSY., R. UNDER	64275-MKY-D10	ZA			F-46	5
7	COWL SET A, L. MIDDLE	64220-MKY-D30	ZB			F-45	3
8	COWL SET A, L. RR.	77240-MKY-D30	ZB			F-23	16
9	COWL SET A, R. MIDDLE	64210-MKY-D30	ZB			F-45	2
10	COWL SET A, R. RR.	77230-MKY-D30	ZB			F-23	12
11	COWL SET, FR. UPPER	64110-MKY-D30	ZB			F-43	2
12	COWL SET, L. UNDER	64300-MKN-D10	ZA			F-46	6
13	FENDER SET, FR.	61110-MKN-D50	ZB			F-10	3
14	MARK, ABS	86611-MGZ-D10	ZC			F-50-1	15
15	MARK, HONDA	86101-MJE-D00	ZA			F-50-1	3
16	MARK, HONDA	86102-MGZ-J00	ZA			F-50-1	4
17	MARK, L.	86104-MKN-D10	ZB			F-50-1	6
18	MARK, L. WING	86202-MKN-D50	ZA			F-50-1	14
19	MARK, R.	86103-MKN-D10	ZB			F-50-1	5
20	MARK, R. WING	86201-MKN-D50	ZA			F-50-1	13
21	SEAT ASSY., MAIN	77100-MKY-D51	ZB			F-23	3
22	SEAT ASSY., PILLION	77300-MKY-D51	ZB			F-23	17
23	STRIPE A, L. MIDDLE COWL A	86642-MKY-D30	ZB			F-50-1	18
24	STRIPE A, R. MIDDLE COWL A	86641-MKY-D30	ZB			F-50-1	17
25	STRIPE B, L. MIDDLE COWL A	86648-MKY-D30	ZB			F-50-1	27



CBR650RA (CBR650RAM).....2FO,2MA

No.	MODEL		CBR650RAM				
	COLOR		Grand prix red	Applicable model		Applicable block No.	Ref. No.
	CODE		R-380	Initial applicable model	Final applicable model		
	Name of colored parts	Basic part No.	R380				
26	STRIPE B, R. MIDDLE COWL A	86647-MKY-D30	ZB			F-50-1	25
27	STRIPE KIT, L. WHEEL	42880-MKY-D30	ZB			F-50-1	2
28	STRIPE KIT, R. WHEEL	42870-MKY-D30	ZB			F-50-1	1
29	STRIPE, FR. UPPER COWL	86643-MKY-D30	ZB			F-50-1	20
30	STRIPE, L. FUEL TANK	86172-MKY-D30	ZB			F-50-1	10
31	STRIPE, L. RR. COWL A	86772-MKY-D30	ZB			F-50-1	31
32	STRIPE, R. FUEL TANK	86171-MKY-D30	ZB			F-50-1	8
33	STRIPE, R. RR. COWL A	86771-MKY-D30	ZB			F-50-1	29
34	TANK ASSY., FUEL	17500-MKY-D30	ZB			F-21	7
35	TRIM, FUEL TANK	17516-KCZ-000	ZB			F-21	8
36	WHEEL SUB ASSY., FR.	44650-MKY-D30	ZA			F-14-40	7
37	WHEEL SUB ASSY., RR.	42650-MKY-D30	ZA			F-19-40	10
38	WINDSCREEN SET	67110-MKN-D10	ZA			F-43	8

CBR650RA (CBR650RAM).....2KO,2U

No.	MODEL		CBR650RAM					
	COLOR		Pearl smoky gray	Grand prix red	Applicable model		Applicable block No.	Ref. No.
	CODE		NH-C53P	R-380	Initial applicable model	Final applicable model		
	Name of colored parts	Basic part No.	NHC53	R380				
1	BODY SET, FRAME	50010-MKY-D10	ZA	ZA			F-39	1
2	BRACKET B, L. ENGINE HANGER	50212-MKN-D50	ZA	ZA			F-39	3
3	BRACKET B, R. ENGINE HANGER	50211-MKN-D50	ZA	ZA			F-39	2
4	COVER ASSY., FUEL TANK FR.	17570-MKY-D50	ZJ	ZF			F-21	18
5	COVER SET, RR. FENDER STAY UPPER	80150-MKY-D50	ZA	ZA			F-34	11
6	COWL ASSY., R. UNDER	64275-MKY-D10	ZC	ZA			F-46	5
7	COWL SET A, L. MIDDLE	64220-MKY-D30	ZA	ZB			F-45	3
8	COWL SET A, L. RR.	77240-MKY-D30	ZA	ZB			F-23	16
9	COWL SET A, R. MIDDLE	64210-MKY-D30	ZA	ZB			F-45	2
10	COWL SET A, R. RR.	77230-MKY-D30	ZA	ZB			F-23	12
11	COWL SET, FR. UPPER	64110-MKY-D30	ZA	ZB			F-43	2
12	COWL SET, L. UNDER	64300-MKN-D10	-	ZA			F-46	6
13	COWL SET, L. UNDER	64300-MKY-D10	ZB	-			F-46	6
14	FENDER SET, FR.	61110-MKN-D50	-	ZB			F-10	3
15	FENDER SET, FR.	61110-MKY-D50	ZF	-			F-10	3
16	MARK, ABS	86611-MGZ-D10	ZC	ZC			F-50-1	15
17	MARK, HONDA	86101-MJE-D00	ZA	ZA			F-50-1	3
18	MARK, HONDA	86102-MGZ-J00	ZA	ZA			F-50-1	4
19	MARK, L.	86104-MKN-D10	-	ZB			F-50-1	6
20	MARK, L.	86104-MKY-D10	ZA	-			F-50-1	6
21	MARK, L. WING	86202-MKN-D50	-	ZA			F-50-1	14
22	MARK, L. WING	86202-MKY-D50	ZD	-			F-50-1	14
23	MARK, R.	86103-MKN-D10	-	ZB			F-50-1	5
24	MARK, R.	86103-MKY-D10	ZB	-			F-50-1	5
25	MARK, R. WING	86201-MKN-D50	-	ZA			F-50-1	13



CBR650RA (CBR650RAM).....2KO,2U

No.	MODEL		CBR650RAM					
	COLOR		Pearl smoky gray	Grand prix red	Applicable model		Applicable block No.	Ref. No.
	CODE		NH-C53P	R-380	Initial applicable model	Final applicable model		
	Name of colored parts	Basic part No.	NHC53	R380				
26	MARK, R. WING	86201-MKY-D50	ZD	-			F-50-1	13
27	SEAT ASSY., MAIN	77100-MKY-D51	ZB	ZB			F-23	3
28	SEAT ASSY., PILLION	77300-MKY-D51	ZB	ZB			F-23	17
29	STRIPE A, L. MIDDLE COWL A	86642-MKY-D30	ZA	ZB			F-50-1	18
30	STRIPE A, R. MIDDLE COWL A	86641-MKY-D30	ZA	ZB			F-50-1	17
31	STRIPE B, L. MIDDLE COWL A	86648-MKY-D30	ZA	ZB			F-50-1	27
32	STRIPE B, R. MIDDLE COWL A	86647-MKY-D30	ZA	ZB			F-50-1	25
33	STRIPE KIT, L. WHEEL	42880-MKY-D30	ZB	ZB			F-50-1	2
34	STRIPE KIT, R. WHEEL	42870-MKY-D30	ZB	ZB			F-50-1	1
35	STRIPE, FR. UPPER COWL	86643-MKY-D30	ZA	ZB			F-50-1	20
36	STRIPE, L. FUEL TANK	86172-MKY-D30	ZA	ZB			F-50-1	10
37	STRIPE, L. RR. COWL A	86772-MKY-D30	ZA	ZB			F-50-1	31
38	STRIPE, R. FUEL TANK	86171-MKY-D30	ZA	ZB			F-50-1	8
39	STRIPE, R. RR. COWL A	86771-MKY-D30	ZA	ZB			F-50-1	29
40	TANK ASSY., FUEL	17500-MKY-D30	ZA	ZB			F-21	7
41	TRIM, FUEL TANK	17516-KCZ-000	ZB	ZB			F-21	8
42	WHEEL SUB ASSY., FR.	44650-MKY-D30	ZA	ZA			F-14-40	7
43	WHEEL SUB ASSY., RR.	42650-MKY-D30	ZA	ZA			F-19-40	10
44	WINDSCREEN SET	67110-MKN-D10	ZA	ZA			F-43	8

CBR650RA (CBR650RAM).....3ED,ED

No.	MODEL		CBR650RAM				
	COLOR		Mat gunpowder black metallic NH-436M	Applicable model		Applicable block No.	Ref. No.
	CODE			Initial applicable model	Final applicable model		
	Name of colored parts	Basic part No.	NH436				
1	BODY SET, FRAME	50010-MKY-D10	ZA			F-39	1
2	BRACKET B, L. ENGINE HANGER	50212-MKN-D50	ZA			F-39	3
3	BRACKET B, R. ENGINE HANGER	50211-MKN-D50	ZA			F-39	2
4	COVER ASSY., FUEL TANK FR.	17570-MKY-D10	ZC			F-21	18
5	COVER SET, RR. FENDER STAY UPPER	80150-MKY-D50	ZA			F-34	11
6	COWL ASSY., R. UNDER	64275-MKY-D10	ZB			F-46	5
7	COWL SET A, L. MIDDLE	64220-MKY-D10	ZB			F-45	3
8	COWL SET A, L. RR.	77240-MKY-D10	ZD			F-23	16
9	COWL SET A, R. MIDDLE	64210-MKY-D10	ZB			F-45	2
10	COWL SET A, R. RR.	77230-MKY-D10	ZD			F-23	12
11	COWL SET B, L. MIDDLE	64240-MKY-D10	ZA			F-45	5
12	COWL SET B, R. MIDDLE	64230-MKY-D10	ZA			F-45	4
13	COWL SET, FR. LOWER	64190-MKY-D10	ZA			F-45	1
14	COWL SET, L. UNDER	64300-MKY-D10	ZC			F-46	6
15	COWL, FR. UPPER	64111-MKN-D10	ZH			F-43	2
16	FENDER SET, FR.	61110-MKY-D50	ZE			F-10	3
17	MARK, ABS	86611-MGZ-D10	ZB			F-50-1	15
18	MARK, HONDA	86101-MJE-D00	ZA			F-50-1	3
19	MARK, HONDA	86102-MGZ-J00	ZA			F-50-1	4
20	MARK, L.	86104-MKY-D10	ZB			F-50-1	6
21	MARK, L. WING	86202-MKY-D50	ZE			F-50-1	14
22	MARK, MIDDLE COWL A	86641-MKY-D10	ZA			F-50-1	16
23	MARK, R.	86103-MKY-D10	ZA			F-50-1	5
24	MARK, R. WING	86201-MKY-D50	ZE			F-50-1	13
25	SEAT ASSY., MAIN	77100-MKY-D51	ZB			F-23	3



CBR650RA (CBR650RAM).....3ED,ED

No.	MODEL		CBR650RAM				
	COLOR		Mat gunpowder black metallic NH-436M	Applicable model		Applicable block No.	Ref. No.
	CODE			Initial applicable model	Final applicable model		
	Name of colored parts	Basic part No.	NH436				
26	SEAT ASSY., PILLION	77300-MKY-D51	ZB			F-23	17
27	STRIPE A, L. MIDDLE COWL B	86644-MKY-D10	ZA			F-50-1	21
28	STRIPE A, R. MIDDLE COWL B	86643-MKY-D10	ZA			F-50-1	19
29	STRIPE B, L. MIDDLE COWL B	86646-MKY-D10	ZA			F-50-1	23
30	STRIPE B, R. MIDDLE COWL B	86645-MKY-D10	ZA			F-50-1	22
31	STRIPE, L. FR. LOWER COWL	86648-MKY-D10	ZA			F-50-1	26
32	STRIPE, L. FUEL TANK	86172-MKY-D10	ZA			F-50-1	9
33	STRIPE, L. FUEL TANK FR. COVER	86174-MKY-D10	ZA			F-50-1	12
34	STRIPE, L. RR. COWL A	86772-MKY-D10	ZA			F-50-1	30
35	STRIPE, R. FR. LOWER COWL	86647-MKY-D10	ZA			F-50-1	24
36	STRIPE, R. FUEL TANK	86171-MKY-D10	ZA			F-50-1	7
37	STRIPE, R. FUEL TANK FR. COVER	86173-MKY-D10	ZA			F-50-1	11
38	STRIPE, R. RR. COWL A	86771-MKY-D10	ZA			F-50-1	28
39	TANK ASSY., FUEL	17500-MKY-D10	ZC			F-21	7
40	TRIM, FUEL TANK	17516-KCZ-000	ZB			F-21	8
41	WHEEL SUB ASSY., FR.	44650-MKY-D50	ZB			F-14-40	7
42	WHEEL SUB ASSY., RR.	42650-MKY-D50	ZB			F-19-40	10
43	WINDSCREEN SET	67110-MKN-D10	ZA			F-43	8

CBR650RA (CBR650RAM).....CH

No.	MODEL		CBR650RAM				
	COLOR		Mat gunpowder black metallic NH-436M	Applicable model		Applicable block No.	Ref. No.
	CODE			Initial applicable model	Final applicable model		
	Name of colored parts	Basic part No.	NH436				
1	BODY SET, FRAME	50010-MKY-D10	ZA			F-39	1
2	BRACKET B, L. ENGINE HANGER	50212-MKN-D50	ZA			F-39	3
3	BRACKET B, R. ENGINE HANGER	50211-MKN-D50	ZA			F-39	2
4	COVER ASSY., FUEL TANK FR.	17570-MKY-D10	ZC			F-21	18
5	COVER SET, RR. FENDER STAY UPPER	80150-MKY-D50	ZA			F-34	11
6	COWL ASSY., R. UNDER	64275-MKY-D10	ZB			F-46	5
7	COWL SET A, L. MIDDLE	64220-MKY-D10	ZB			F-45	3
8	COWL SET A, L. RR.	77240-MKY-D10	ZD			F-23	16
9	COWL SET A, R. MIDDLE	64210-MKY-D10	ZB			F-45	2
10	COWL SET A, R. RR.	77230-MKY-D10	ZD			F-23	12
11	COWL SET B, L. MIDDLE	64240-MKY-D10	ZA			F-45	5
12	COWL SET B, R. MIDDLE	64230-MKY-D10	ZA			F-45	4
13	COWL SET, FR. LOWER	64190-MKY-D10	ZA			F-45	1
14	COWL SET, L. UNDER	64300-MKY-D10	ZC			F-46	6
15	COWL, FR. UPPER	64111-MKN-D10	ZH			F-43	2
16	FENDER SET, FR.	61110-MKY-D50	ZE			F-10	3
17	MARK, ABS	86611-MGZ-D10	ZB			F-50-1	15
18	MARK, HONDA	86101-MJE-D00	ZA			F-50-1	3
19	MARK, HONDA	86102-MGZ-J00	ZA			F-50-1	4
20	MARK, L.	86104-MKY-D10	ZB			F-50-1	6
21	MARK, L. WING	86202-MKY-D50	ZE			F-50-1	14
22	MARK, MIDDLE COWL A	86641-MKY-D10	ZA			F-50-1	16
23	MARK, R.	86103-MKY-D10	ZA			F-50-1	5
24	MARK, R. WING	86201-MKY-D50	ZE			F-50-1	13
25	SEAT ASSY., MAIN	77100-MKY-D51	ZB			F-23	3



CBR650RA (CBR650RAM).....CH

No.	MODEL		CBR650RAM				
	COLOR		Mat gunpowder black metallic NH-436M	Applicable model		Applicable block No.	Ref. No.
	CODE			Initial applicable model	Final applicable model		
	Name of colored parts	Basic part No.	NH436				
26	SEAT ASSY., PILLION	77300-MKY-D51	ZB			F-23	17
27	STRIPE A, L. MIDDLE COWL B	86644-MKY-D10	ZA			F-50-1	21
28	STRIPE A, R. MIDDLE COWL B	86643-MKY-D10	ZA			F-50-1	19
29	STRIPE B, L. MIDDLE COWL B	86646-MKY-D10	ZA			F-50-1	23
30	STRIPE B, R. MIDDLE COWL B	86645-MKY-D10	ZA			F-50-1	22
31	STRIPE, L. FR. LOWER COWL	86648-MKY-D10	ZA			F-50-1	26
32	STRIPE, L. FUEL TANK	86172-MKY-D10	ZA			F-50-1	9
33	STRIPE, L. FUEL TANK FR. COVER	86174-MKY-D10	ZA			F-50-1	12
34	STRIPE, L. RR. COWL A	86772-MKY-D10	ZA			F-50-1	30
35	STRIPE, R. FR. LOWER COWL	86647-MKY-D10	ZA			F-50-1	24
36	STRIPE, R. FUEL TANK	86171-MKY-D10	ZA			F-50-1	7
37	STRIPE, R. FUEL TANK FR. COVER	86173-MKY-D10	ZA			F-50-1	11
38	STRIPE, R. RR. COWL A	86771-MKY-D10	ZA			F-50-1	28
39	TANK ASSY., FUEL	17500-MKY-H10	ZA			F-21	7
40	TRIM, FUEL TANK	17516-KCZ-000	ZB			F-21	8
41	WHEEL SUB ASSY., FR.	44650-MKY-D50	ZB			F-14-40	7
42	WHEEL SUB ASSY., RR.	42650-MKY-D50	ZB			F-19-40	10
43	WINDSCREEN SET	67110-MKN-D10	ZA			F-43	8

CBR650RA (CBR650RAM).....FO,MA

No.	MODEL		CBR650RAM				
	COLOR		Mat gunpowder black metallic NH-436M	Applicable model		Applicable block No.	Ref. No.
	CODE			Initial applicable model	Final applicable model		
	Name of colored parts	Basic part No.	NH436				
1	BODY SET, FRAME	50010-MKY-D10	ZA			F-39	1
2	BRACKET B, L. ENGINE HANGER	50212-MKN-D50	ZA			F-39	3
3	BRACKET B, R. ENGINE HANGER	50211-MKN-D50	ZA			F-39	2
4	COVER ASSY., FUEL TANK FR.	17570-MKY-D10	ZC			F-21	18
5	COVER SET, RR. FENDER STAY UPPER	80150-MKY-D50	ZA			F-34	11
6	COWL ASSY., R. UNDER	64275-MKY-D10	ZB			F-46	5
7	COWL SET A, L. MIDDLE	64220-MKY-D10	ZB			F-45	3
8	COWL SET A, L. RR.	77240-MKY-D10	ZD			F-23	16
9	COWL SET A, R. MIDDLE	64210-MKY-D10	ZB			F-45	2
10	COWL SET A, R. RR.	77230-MKY-D10	ZD			F-23	12
11	COWL SET B, L. MIDDLE	64240-MKY-D10	ZA			F-45	5
12	COWL SET B, R. MIDDLE	64230-MKY-D10	ZA			F-45	4
13	COWL SET, FR. LOWER	64190-MKY-D10	ZA			F-45	1
14	COWL SET, L. UNDER	64300-MKY-D10	ZC			F-46	6
15	COWL, FR. UPPER	64111-MKN-D10	ZH			F-43	2
16	FENDER SET, FR.	61110-MKY-D50	ZE			F-10	3
17	MARK, ABS	86611-MGZ-D10	ZB			F-50-1	15
18	MARK, HONDA	86101-MJE-D00	ZA			F-50-1	3
19	MARK, HONDA	86102-MGZ-J00	ZA			F-50-1	4
20	MARK, L.	86104-MKY-D10	ZB			F-50-1	6
21	MARK, L. WING	86202-MKY-D50	ZE			F-50-1	14
22	MARK, MIDDLE COWL A	86641-MKY-D10	ZA			F-50-1	16
23	MARK, R.	86103-MKY-D10	ZA			F-50-1	5
24	MARK, R. WING	86201-MKY-D50	ZE			F-50-1	13
25	SEAT ASSY., MAIN	77100-MKY-D51	ZB			F-23	3



CBR650RA (CBR650RAM).....FO,MA

No.	MODEL		CBR650RAM				
	COLOR		Mat gunpowder black metallic NH-436M	Applicable model		Applicable block No.	Ref. No.
	CODE			Initial applicable model	Final applicable model		
	Name of colored parts	Basic part No.	NH436				
26	SEAT ASSY., PILLION	77300-MKY-D51	ZB			F-23	17
27	STRIPE A, L. MIDDLE COWL B	86644-MKY-D10	ZA			F-50-1	21
28	STRIPE A, R. MIDDLE COWL B	86643-MKY-D10	ZA			F-50-1	19
29	STRIPE B, L. MIDDLE COWL B	86646-MKY-D10	ZA			F-50-1	23
30	STRIPE B, R. MIDDLE COWL B	86645-MKY-D10	ZA			F-50-1	22
31	STRIPE, L. FR. LOWER COWL	86648-MKY-D10	ZA			F-50-1	26
32	STRIPE, L. FUEL TANK	86172-MKY-D10	ZA			F-50-1	9
33	STRIPE, L. FUEL TANK FR. COVER	86174-MKY-D10	ZA			F-50-1	12
34	STRIPE, L. RR. COWL A	86772-MKY-D10	ZA			F-50-1	30
35	STRIPE, R. FR. LOWER COWL	86647-MKY-D10	ZA			F-50-1	24
36	STRIPE, R. FUEL TANK	86171-MKY-D10	ZA			F-50-1	7
37	STRIPE, R. FUEL TANK FR. COVER	86173-MKY-D10	ZA			F-50-1	11
38	STRIPE, R. RR. COWL A	86771-MKY-D10	ZA			F-50-1	28
39	TANK ASSY., FUEL	17500-MKY-D10	ZC			F-21	7
40	TRIM, FUEL TANK	17516-KCZ-000	ZB			F-21	8
41	WHEEL SUB ASSY., FR.	44650-MKY-D50	ZB			F-14-40	7
42	WHEEL SUB ASSY., RR.	42650-MKY-D50	ZB			F-19-40	10
43	WINDSCREEN SET	67110-MKN-D10	ZA			F-43	8

CBR650RA (CBR650RAM).....KO,U

No.	MODEL		CBR650RAM				
	COLOR		Mat gunpowder black metallic NH-436M	Applicable model		Applicable block No.	Ref. No.
	CODE			Initial applicable model	Final applicable model		
	Name of colored parts	Basic part No.	NH436				
1	BODY SET, FRAME	50010-MKY-D10	ZA			F-39	1
2	BRACKET B, L. ENGINE HANGER	50212-MKN-D50	ZA			F-39	3
3	BRACKET B, R. ENGINE HANGER	50211-MKN-D50	ZA			F-39	2
4	COVER ASSY., FUEL TANK FR.	17570-MKY-D10	ZC			F-21	18
5	COVER SET, RR. FENDER STAY UPPER	80150-MKY-D50	ZA			F-34	11
6	COWL ASSY., R. UNDER	64275-MKY-D10	ZB			F-46	5
7	COWL SET A, L. MIDDLE	64220-MKY-D10	ZB			F-45	3
8	COWL SET A, L. RR.	77240-MKY-D10	ZD			F-23	16
9	COWL SET A, R. MIDDLE	64210-MKY-D10	ZB			F-45	2
10	COWL SET A, R. RR.	77230-MKY-D10	ZD			F-23	12
11	COWL SET B, L. MIDDLE	64240-MKY-D10	ZA			F-45	5
12	COWL SET B, R. MIDDLE	64230-MKY-D10	ZA			F-45	4
13	COWL SET, FR. LOWER	64190-MKY-D10	ZA			F-45	1
14	COWL SET, L. UNDER	64300-MKY-D10	ZC			F-46	6
15	COWL, FR. UPPER	64111-MKN-D10	ZH			F-43	2
16	FENDER SET, FR.	61110-MKY-D50	ZE			F-10	3
17	MARK, ABS	86611-MGZ-D10	ZB			F-50-1	15
18	MARK, HONDA	86101-MJE-D00	ZA			F-50-1	3
19	MARK, HONDA	86102-MGZ-J00	ZA			F-50-1	4
20	MARK, L.	86104-MKY-D10	ZB			F-50-1	6
21	MARK, L. WING	86202-MKY-D50	ZE			F-50-1	14
22	MARK, MIDDLE COWL A	86641-MKY-D10	ZA			F-50-1	16
23	MARK, R.	86103-MKY-D10	ZA			F-50-1	5
24	MARK, R. WING	86201-MKY-D50	ZE			F-50-1	13
25	SEAT ASSY., MAIN	77100-MKY-D51	ZB			F-23	3



CBR650RA (CBR650RAM).....KO,U

No.	MODEL		CBR650RAM				
	COLOR		Mat gunpowder black metallic NH-436M	Applicable model		Applicable block No.	Ref. No.
	CODE			Initial applicable model	Final applicable model		
	Name of colored parts	Basic part No.	NH436				
26	SEAT ASSY., PILLION	77300-MKY-D51	ZB			F-23	17
27	STRIPE A, L. MIDDLE COWL B	86644-MKY-D10	ZA			F-50-1	21
28	STRIPE A, R. MIDDLE COWL B	86643-MKY-D10	ZA			F-50-1	19
29	STRIPE B, L. MIDDLE COWL B	86646-MKY-D10	ZA			F-50-1	23
30	STRIPE B, R. MIDDLE COWL B	86645-MKY-D10	ZA			F-50-1	22
31	STRIPE, L. FR. LOWER COWL	86648-MKY-D10	ZA			F-50-1	26
32	STRIPE, L. FUEL TANK	86172-MKY-D10	ZA			F-50-1	9
33	STRIPE, L. FUEL TANK FR. COVER	86174-MKY-D10	ZA			F-50-1	12
34	STRIPE, L. RR. COWL A	86772-MKY-D10	ZA			F-50-1	30
35	STRIPE, R. FR. LOWER COWL	86647-MKY-D10	ZA			F-50-1	24
36	STRIPE, R. FUEL TANK	86171-MKY-D10	ZA			F-50-1	7
37	STRIPE, R. FUEL TANK FR. COVER	86173-MKY-D10	ZA			F-50-1	11
38	STRIPE, R. RR. COWL A	86771-MKY-D10	ZA			F-50-1	28
39	TANK ASSY., FUEL	17500-MKY-D10	ZC			F-21	7
40	TRIM, FUEL TANK	17516-KCZ-000	ZB			F-21	8
41	WHEEL SUB ASSY., FR.	44650-MKY-D50	ZB			F-14-40	7
42	WHEEL SUB ASSY., RR.	42650-MKY-D50	ZB			F-19-40	10
43	WINDSCREEN SET	67110-MKN-D10	ZA			F-43	8

CBR650RA (CBR650RAN).....2CH

No.	MODEL		CBR650RAN				
	COLOR		Grand prix red	Applicable model		Applicable block No.	Ref. No.
	CODE		R-380	Initial applicable model	Final applicable model		
	Name of colored parts	Basic part No.	R380				
1	BODY SET, FRAME	50010-MKY-D10	ZA			F-39	1
2	BRACKET B, L. ENGINE HANGER	50212-MKN-D50	ZA			F-39	3
3	BRACKET B, R. ENGINE HANGER	50211-MKN-D50	ZA			F-39	2
4	COVER ASSY., FUEL TANK FR.	17570-MKY-D50	ZF			F-21	18
5	COVER SET, RR. FENDER STAY UPPER	80150-MKY-D50	ZA			F-34	11
6	COWL ASSY., R. UNDER	64275-MKY-D10	ZA			F-46	5
7	COWL SET A, L. MIDDLE	64220-MKY-D20	ZB			F-45	3
8	COWL SET A, L. RR.	77240-MKY-D20	ZB			F-23	16
9	COWL SET A, R. MIDDLE	64210-MKY-D20	ZB			F-45	2
10	COWL SET A, R. RR.	77230-MKY-D20	ZB			F-23	12
11	COWL SET, FR. UPPER	64110-MKY-D20	ZB			F-43	2
12	COWL SET, L. UNDER	64300-MKN-D10	ZA			F-46	6
13	FENDER SET, FR.	61110-MKN-D50	ZB			F-10	3
14	MARK, ABS	86611-MGZ-D10	ZC			F-50-1	15
15	MARK, HONDA	86101-MJE-D00	ZA			F-50-1	3
16	MARK, HONDA	86102-MGZ-J00	ZA			F-50-1	4
17	MARK, L.	86104-MKN-D10	ZB			F-50-1	6
18	MARK, L. WING	86202-MKN-D50	ZA			F-50-1	14
19	MARK, R.	86103-MKN-D10	ZB			F-50-1	5
20	MARK, R. WING	86201-MKN-D50	ZA			F-50-1	13
21	SEAT ASSY., MAIN	77100-MKY-D51	ZB			F-23	3
22	SEAT ASSY., PILLION	77300-MKY-D51	ZB			F-23	17
23	STRIPE A, L. MIDDLE COWL A	86642-MKY-D20	ZB			F-50-1	18
24	STRIPE A, R. MIDDLE COWL A	86641-MKY-D20	ZB			F-50-1	17
25	STRIPE B, L. MIDDLE COWL A	86648-MKY-D20	ZB			F-50-1	27



CBR650RA (CBR650RAN).....2CH

No.	MODEL		CBR650RAN				
	COLOR		Grand prix red	Applicable model		Applicable block No.	Ref. No.
	CODE		R-380	Initial applicable model	Final applicable model		
	Name of colored parts	Basic part No.	R380				
26	STRIPE B, R. MIDDLE COWL A	86647-MKY-D20	ZB			F-50-1	25
27	STRIPE KIT, L. WHEEL	42880-MKY-D30	ZB			F-50-1	2
28	STRIPE KIT, R. WHEEL	42870-MKY-D30	ZB			F-50-1	1
29	STRIPE, FR. UPPER COWL	86643-MKY-D20	ZB			F-50-1	20
30	STRIPE, L. FUEL TANK	86172-MKY-D20	ZB			F-50-1	10
31	STRIPE, L. RR. COWL A	86772-MKY-D20	ZB			F-50-1	31
32	STRIPE, R. FUEL TANK	86171-MKY-D20	ZB			F-50-1	8
33	STRIPE, R. RR. COWL A	86771-MKY-D20	ZB			F-50-1	29
34	TANK ASSY., FUEL	17500-MKY-H20	ZA			F-21	7
35	TRIM, FUEL TANK	17516-KCZ-000	ZB			F-21	8
36	WHEEL SUB ASSY., FR.	44650-MKY-D30	ZA			F-14-40	7
37	WHEEL SUB ASSY., RR.	42650-MKY-D30	ZA			F-19-40	10
38	WINDSCREEN SET	67110-MKN-D10	ZA			F-43	8

CBR650RA (CBR650RAN).....2ED,4ED

No.	MODEL		CBR650RAN				
	COLOR		Grand prix red	Applicable model		Applicable block No.	Ref. No.
	CODE		R-380	Initial applicable model	Final applicable model		
	Name of colored parts	Basic part No.	R380				
1	BODY SET, FRAME	50010-MKY-D10	ZA			F-39	1
2	BRACKET B, L. ENGINE HANGER	50212-MKN-D50	ZA			F-39	3
3	BRACKET B, R. ENGINE HANGER	50211-MKN-D50	ZA			F-39	2
4	COVER ASSY., FUEL TANK FR.	17570-MKY-D50	ZF			F-21	18
5	COVER SET, RR. FENDER STAY UPPER	80150-MKY-D50	ZA			F-34	11
6	COWL ASSY., R. UNDER	64275-MKY-D10	ZA			F-46	5
7	COWL SET A, L. MIDDLE	64220-MKY-D20	ZB			F-45	3
8	COWL SET A, L. RR.	77240-MKY-D20	ZB			F-23	16
9	COWL SET A, R. MIDDLE	64210-MKY-D20	ZB			F-45	2
10	COWL SET A, R. RR.	77230-MKY-D20	ZB			F-23	12
11	COWL SET, FR. UPPER	64110-MKY-D20	ZB			F-43	2
12	COWL SET, L. UNDER	64300-MKN-D10	ZA			F-46	6
13	FENDER SET, FR.	61110-MKN-D50	ZB			F-10	3
14	MARK, ABS	86611-MGZ-D10	ZC			F-50-1	15
15	MARK, HONDA	86101-MJE-D00	ZA			F-50-1	3
16	MARK, HONDA	86102-MGZ-J00	ZA			F-50-1	4
17	MARK, L.	86104-MKN-D10	ZB			F-50-1	6
18	MARK, L. WING	86202-MKN-D50	ZA			F-50-1	14
19	MARK, R.	86103-MKN-D10	ZB			F-50-1	5
20	MARK, R. WING	86201-MKN-D50	ZA			F-50-1	13
21	SEAT ASSY., MAIN	77100-MKY-D51	ZB			F-23	3
22	SEAT ASSY., PILLION	77300-MKY-D51	ZB			F-23	17
23	STRIPE A, L. MIDDLE COWL A	86642-MKY-D20	ZB			F-50-1	18
24	STRIPE A, R. MIDDLE COWL A	86641-MKY-D20	ZB			F-50-1	17
25	STRIPE B, L. MIDDLE COWL A	86648-MKY-D20	ZB			F-50-1	27



CBR650RA (CBR650RAN).....2ED,4ED

No.	MODEL		CBR650RAN				
	COLOR		Grand prix red	Applicable model		Applicable block No.	Ref. No.
	CODE		R-380	Initial applicable model	Final applicable model		
	Name of colored parts	Basic part No.	R380				
26	STRIPE B, R. MIDDLE COWL A	86647-MKY-D20	ZB			F-50-1	25
27	STRIPE KIT, L. WHEEL	42880-MKY-D30	ZB			F-50-1	2
28	STRIPE KIT, R. WHEEL	42870-MKY-D30	ZB			F-50-1	1
29	STRIPE, FR. UPPER COWL	86643-MKY-D20	ZB			F-50-1	20
30	STRIPE, L. FUEL TANK	86172-MKY-D20	ZB			F-50-1	10
31	STRIPE, L. RR. COWL A	86772-MKY-D20	ZB			F-50-1	31
32	STRIPE, R. FUEL TANK	86171-MKY-D20	ZB			F-50-1	8
33	STRIPE, R. RR. COWL A	86771-MKY-D20	ZB			F-50-1	29
34	TANK ASSY., FUEL	17500-MKY-D20	ZB			F-21	7
35	TRIM, FUEL TANK	17516-KCZ-000	ZB			F-21	8
36	WHEEL SUB ASSY., FR.	44650-MKY-D30	ZA			F-14-40	7
37	WHEEL SUB ASSY., RR.	42650-MKY-D30	ZA			F-19-40	10
38	WINDSCREEN SET	67110-MKN-D10	ZA			F-43	8

CBR650RA (CBR650RAN).....2FO

No.	MODEL		CBR650RAN				
	COLOR		Grand prix red	Applicable model		Applicable block No.	Ref. No.
	CODE		R-380	Initial applicable model	Final applicable model		
	Name of colored parts	Basic part No.	R380				
1	BODY SET, FRAME	50010-MKY-D10	ZA			F-39	1
2	BRACKET B, L. ENGINE HANGER	50212-MKN-D50	ZA			F-39	3
3	BRACKET B, R. ENGINE HANGER	50211-MKN-D50	ZA			F-39	2
4	COVER ASSY., FUEL TANK FR.	17570-MKY-D50	ZF			F-21	18
5	COVER SET, RR. FENDER STAY UPPER	80150-MKY-D50	ZA			F-34	11
6	COWL ASSY., R. UNDER	64275-MKY-D10	ZA			F-46	5
7	COWL SET A, L. MIDDLE	64220-MKY-D30	ZB			F-45	3
8	COWL SET A, L. RR.	77240-MKY-D30	ZB			F-23	16
9	COWL SET A, R. MIDDLE	64210-MKY-D30	ZB			F-45	2
10	COWL SET A, R. RR.	77230-MKY-D30	ZB			F-23	12
11	COWL SET, FR. UPPER	64110-MKY-D30	ZB			F-43	2
12	COWL SET, L. UNDER	64300-MKN-D10	ZA			F-46	6
13	FENDER SET, FR.	61110-MKN-D50	ZB			F-10	3
14	MARK, ABS	86611-MGZ-D10	ZC			F-50-1	15
15	MARK, HONDA	86101-MJE-D00	ZA			F-50-1	3
16	MARK, HONDA	86102-MGZ-J00	ZA			F-50-1	4
17	MARK, L.	86104-MKN-D10	ZB			F-50-1	6
18	MARK, L. WING	86202-MKN-D50	ZA			F-50-1	14
19	MARK, R.	86103-MKN-D10	ZB			F-50-1	5
20	MARK, R. WING	86201-MKN-D50	ZA			F-50-1	13
21	SEAT ASSY., MAIN	77100-MKY-D51	ZB			F-23	3
22	SEAT ASSY., PILLION	77300-MKY-D51	ZB			F-23	17
23	STRIPE A, L. MIDDLE COWL A	86642-MKY-D30	ZB			F-50-1	18
24	STRIPE A, R. MIDDLE COWL A	86641-MKY-D30	ZB			F-50-1	17
25	STRIPE B, L. MIDDLE COWL A	86648-MKY-D30	ZB			F-50-1	27



CBR650RA (CBR650RAN).....2FO

No.	MODEL		CBR650RAN				
	COLOR		Grand prix red	Applicable model		Applicable block No.	Ref. No.
	CODE		R-380	Initial applicable model	Final applicable model		
	Name of colored parts	Basic part No.	R380				
26	STRIPE B, R. MIDDLE COWL A	86647-MKY-D30	ZB			F-50-1	25
27	STRIPE KIT, L. WHEEL	42880-MKY-D30	ZA			F-50-1	2
28	STRIPE KIT, R. WHEEL	42870-MKY-D30	ZA			F-50-1	1
29	STRIPE, FR. UPPER COWL	86643-MKY-D30	ZB			F-50-1	20
30	STRIPE, L. FUEL TANK	86172-MKY-D30	ZB			F-50-1	10
31	STRIPE, L. RR. COWL A	86772-MKY-D30	ZB			F-50-1	31
32	STRIPE, R. FUEL TANK	86171-MKY-D30	ZB			F-50-1	8
33	STRIPE, R. RR. COWL A	86771-MKY-D30	ZB			F-50-1	29
34	TANK ASSY., FUEL	17500-MKY-D30	ZB			F-21	7
35	TRIM, FUEL TANK	17516-KCZ-000	ZB			F-21	8
36	WHEEL SUB ASSY., FR.	44650-MKY-D30	ZA			F-14-40	7
37	WHEEL SUB ASSY., RR.	42650-MKY-D30	ZA			F-19-40	10
38	WINDSCREEN SET	67110-MKN-D10	ZA			F-43	8

CBR650RA (CBR650RAN).....2KO,2U

No.	MODEL		CBR650RAN					
	COLOR		Pearl spencer blue	Grand prix red	Applicable model		Applicable block No.	Ref. No.
	CODE		PB-308P	R-380	Initial applicable model	Final applicable model		
	Name of colored parts	Basic part No.	PB308	R380				
1	BODY SET, FRAME	50010-MKY-D10	ZA	ZA			F-39	1
2	BRACKET B, L. ENGINE HANGER	50212-MKN-D50	ZA	ZA			F-39	3
3	BRACKET B, R. ENGINE HANGER	50211-MKN-D50	ZA	ZA			F-39	2
4	COVER ASSY., FUEL TANK FR.	17570-MKY-D50	ZQ	ZF			F-21	18
5	COVER SET, RR. FENDER STAY UPPER	80150-MKY-D50	ZA	ZA			F-34	11
6	COWL ASSY., R. UNDER	64275-MKY-D10	-	ZA			F-46	5
7	COWL ASSY., R. UNDER	64275-MKY-T20	ZA	-			F-46	5
8	COWL SET A, L. MIDDLE	64220-MKY-D20	ZA	ZB			F-45	3
9	COWL SET A, L. RR.	77240-MKY-D20	ZA	ZB			F-23	16
10	COWL SET A, R. MIDDLE	64210-MKY-D20	ZA	ZB			F-45	2
11	COWL SET A, R. RR.	77230-MKY-D20	ZA	ZB			F-23	12
12	COWL SET, FR. UPPER	64110-MKY-D20	ZA	ZB			F-43	2
13	COWL SET, L. UNDER	64300-MKN-D10	-	ZA			F-46	6
14	COWL SET, L. UNDER	64300-MKY-T20	ZA	-			F-46	6
15	FENDER SET, FR.	61110-MKN-D50	-	ZB			F-10	3
16	FENDER SET, FR.	61110-MKY-T20	ZA	-			F-10	3
17	MARK, ABS	86611-MGZ-D10	ZB	ZC			F-50-1	15
18	MARK, HONDA	86101-MJE-D00	ZA	ZA			F-50-1	3
19	MARK, HONDA	86102-MGZ-J00	ZA	ZA			F-50-1	4
20	MARK, L.	86104-MKN-D10	-	ZB			F-50-1	6
21	MARK, L.	86104-MKY-T20	ZA	-			F-50-1	6
22	MARK, L. WING	86202-MKN-D50	-	ZA			F-50-1	14
23	MARK, L. WING	86202-MKY-D40	ZB	-			F-50-1	14
24	MARK, R.	86103-MKN-D10	-	ZB			F-50-1	5
25	MARK, R.	86103-MKY-T20	ZA	-			F-50-1	5



CBR650RA (CBR650RAN).....2KO,2U

No.	MODEL		CBR650RAN					
	COLOR		Pearl spencer blue	Grand prix red	Applicable model		Applicable block No.	Ref. No.
	CODE		PB-308P	R-380	Initial applicable model	Final applicable model		
	Name of colored parts	Basic part No.	PB308	R380				
26	MARK, R. WING	86201-MKN-D50	-	ZA			F-50-1	13
27	MARK, R. WING	86201-MKY-D40	ZB	-			F-50-1	13
28	SEAT ASSY., MAIN	77100-MKY-D51	ZB	ZB			F-23	3
29	SEAT ASSY., PILLION	77300-MKY-D51	ZB	ZB			F-23	17
30	STRIPE A, L. MIDDLE COWL A	86642-MKY-D20	ZA	ZB			F-50-1	18
31	STRIPE A, R. MIDDLE COWL A	86641-MKY-D20	ZA	ZB			F-50-1	17
32	STRIPE B, L. MIDDLE COWL A	86648-MKY-D20	ZA	ZB			F-50-1	27
33	STRIPE B, R. MIDDLE COWL A	86647-MKY-D20	ZA	ZB			F-50-1	25
34	STRIPE KIT, L. WHEEL	42880-MKY-D30	ZB	ZB			F-50-1	2
35	STRIPE KIT, R. WHEEL	42870-MKY-D30	ZB	ZB			F-50-1	1
36	STRIPE, FR. UPPER COWL	86643-MKY-D20	ZA	ZB			F-50-1	20
37	STRIPE, L. FUEL TANK	86172-MKY-D20	ZA	ZB			F-50-1	10
38	STRIPE, L. RR. COWL A	86772-MKY-D20	ZA	ZB			F-50-1	31
39	STRIPE, R. FUEL TANK	86171-MKY-D20	ZA	ZB			F-50-1	8
40	STRIPE, R. RR. COWL A	86771-MKY-D20	ZA	ZB			F-50-1	29
41	TANK ASSY., FUEL	17500-MKY-D20	ZA	ZB			F-21	7
42	TRIM, FUEL TANK	17516-KCZ-000	ZB	ZB			F-21	8
43	WHEEL SUB ASSY., FR.	44650-MKY-D30	ZA	ZA			F-14-40	7
44	WHEEL SUB ASSY., RR.	42650-MKY-D30	ZA	ZA			F-19-40	10
45	WINDSCREEN SET	67110-MKN-D10	ZA	ZA			F-43	8

CBR650RA (CBR650RAN).....2MA,4FO

No.	MODEL		CBR650RAN				
	COLOR		Grand prix red	Applicable model		Applicable block No.	Ref. No.
	CODE		R-380	Initial applicable model	Final applicable model		
	Name of colored parts	Basic part No.	R380				
1	BODY SET, FRAME	50010-MKY-D10	ZA			F-39	1
2	BRACKET B, L. ENGINE HANGER	50212-MKN-D50	ZA			F-39	3
3	BRACKET B, R. ENGINE HANGER	50211-MKN-D50	ZA			F-39	2
4	COVER ASSY., FUEL TANK FR.	17570-MKY-D50	ZF			F-21	18
5	COVER SET, RR. FENDER STAY UPPER	80150-MKY-D50	ZA			F-34	11
6	COWL ASSY., R. UNDER	64275-MKY-D10	ZA			F-46	5
7	COWL SET A, L. MIDDLE	64220-MKY-D20	ZB			F-45	3
8	COWL SET A, L. RR.	77240-MKY-D20	ZB			F-23	16
9	COWL SET A, R. MIDDLE	64210-MKY-D20	ZB			F-45	2
10	COWL SET A, R. RR.	77230-MKY-D20	ZB			F-23	12
11	COWL SET, FR. UPPER	64110-MKY-D20	ZB			F-43	2
12	COWL SET, L. UNDER	64300-MKN-D10	ZA			F-46	6
13	FENDER SET, FR.	61110-MKN-D50	ZB			F-10	3
14	MARK, ABS	86611-MGZ-D10	ZC			F-50-1	15
15	MARK, HONDA	86101-MJE-D00	ZA			F-50-1	3
16	MARK, HONDA	86102-MGZ-J00	ZA			F-50-1	4
17	MARK, L.	86104-MKN-D10	ZB			F-50-1	6
18	MARK, L. WING	86202-MKN-D50	ZA			F-50-1	14
19	MARK, R.	86103-MKN-D10	ZB			F-50-1	5
20	MARK, R. WING	86201-MKN-D50	ZA			F-50-1	13
21	SEAT ASSY., MAIN	77100-MKY-D51	ZB			F-23	3
22	SEAT ASSY., PILLION	77300-MKY-D51	ZB			F-23	17
23	STRIPE A, L. MIDDLE COWL A	86642-MKY-D20	ZB			F-50-1	18
24	STRIPE A, R. MIDDLE COWL A	86641-MKY-D20	ZB			F-50-1	17
25	STRIPE B, L. MIDDLE COWL A	86648-MKY-D20	ZB			F-50-1	27



CBR650RA (CBR650RAN).....2MA,4FO

No.	MODEL		CBR650RAN				
	COLOR		Grand prix red	Applicable model		Applicable block No.	Ref. No.
	CODE		R-380	Initial applicable model	Final applicable model		
	Name of colored parts	Basic part No.	R380				
26	STRIPE B, R. MIDDLE COWL A	86647-MKY-D20	ZB			F-50-1	25
27	STRIPE KIT, L. WHEEL	42880-MKY-D30	ZB			F-50-1	2
28	STRIPE KIT, R. WHEEL	42870-MKY-D30	ZB			F-50-1	1
29	STRIPE, FR. UPPER COWL	86643-MKY-D20	ZB			F-50-1	20
30	STRIPE, L. FUEL TANK	86172-MKY-D20	ZB			F-50-1	10
31	STRIPE, L. RR. COWL A	86772-MKY-D20	ZB			F-50-1	31
32	STRIPE, R. FUEL TANK	86171-MKY-D20	ZB			F-50-1	8
33	STRIPE, R. RR. COWL A	86771-MKY-D20	ZB			F-50-1	29
34	TANK ASSY., FUEL	17500-MKY-D20	ZB			F-21	7
35	TRIM, FUEL TANK	17516-KCZ-000	ZB			F-21	8
36	WHEEL SUB ASSY., FR.	44650-MKY-D30	ZA			F-14-40	7
37	WHEEL SUB ASSY., RR.	42650-MKY-D30	ZA			F-19-40	10
38	WINDSCREEN SET	67110-MKN-D10	ZA			F-43	8

CBR650RA (CBR650RAN).....3ED,ED

No.	MODEL		CBR650RAN				
	COLOR		Mat gunpowder black metallic NH-436M	Applicable model		Applicable block No.	Ref. No.
	CODE			Initial applicable model	Final applicable model		
	Name of colored parts	Basic part No.	NH436				
1	BODY SET, FRAME	50010-MKY-D10	ZA			F-39	1
2	BRACKET B, L. ENGINE HANGER	50212-MKN-D50	ZA			F-39	3
3	BRACKET B, R. ENGINE HANGER	50211-MKN-D50	ZA			F-39	2
4	COVER ASSY., FUEL TANK FR.	17570-MKY-D00	ZA			F-21	18
5	COVER SET, RR. FENDER STAY UPPER	80150-MKY-D50	ZA			F-34	11
6	COWL ASSY., R. UNDER	64275-MKY-D10	ZB			F-46	5
7	COWL SET A, L. MIDDLE	64220-MKY-D10	ZB			F-45	3
8	COWL SET A, L. RR.	77240-MKY-D00	ZA			F-23	16
9	COWL SET A, R. MIDDLE	64210-MKY-D10	ZB			F-45	2
10	COWL SET A, R. RR.	77230-MKY-D00	ZA			F-23	12
11	COWL SET B, L. MIDDLE	64240-MKY-D00	ZA			F-45	5
12	COWL SET B, R. MIDDLE	64230-MKY-D00	ZA			F-45	4
13	COWL SET, FR. LOWER	64190-MKY-D00	ZA			F-45	1
14	COWL SET, L. UNDER	64300-MKY-D10	ZC			F-46	6
15	COWL, FR. UPPER	64111-MKN-D10	ZH			F-43	2
16	FENDER SET, FR.	61110-MKY-D50	ZE			F-10	3
17	MARK, ABS	86611-MGZ-D10	ZB			F-50-1	15
18	MARK, HONDA	86101-MJE-D00	ZA			F-50-1	3
19	MARK, HONDA	86102-MGZ-J00	ZA			F-50-1	4
20	MARK, L.	86104-MKY-D10	ZB			F-50-1	6
21	MARK, L. WING	86202-MKY-D50	ZE			F-50-1	14
22	MARK, MIDDLE COWL A	86641-MKY-D10	ZA			F-50-1	16
23	MARK, R.	86103-MKY-D10	ZA			F-50-1	5
24	MARK, R. WING	86201-MKY-D50	ZE			F-50-1	13
25	SEAT ASSY., MAIN	77100-MKY-D51	ZB			F-23	3



CBR650RA (CBR650RAN).....3ED,ED

No.	MODEL		CBR650RAN				
	COLOR		Mat gunpowder black metallic NH-436M	Applicable model		Applicable block No.	Ref. No.
	CODE			Initial applicable model	Final applicable model		
	Name of colored parts	Basic part No.	NH436				
26	SEAT ASSY., PILLION	77300-MKY-D51	ZB			F-23	17
27	STRIPE A, L. MIDDLE COWL B	86644-MKY-D00	ZA			F-50-1	21
28	STRIPE A, R. MIDDLE COWL B	86643-MKY-D00	ZA			F-50-1	19
29	STRIPE B, L. MIDDLE COWL B	86646-MKY-D00	ZA			F-50-1	23
30	STRIPE B, R. MIDDLE COWL B	86645-MKY-D00	ZA			F-50-1	22
31	STRIPE, L. FR. LOWER COWL	86648-MKY-D00	ZA			F-50-1	26
32	STRIPE, L. FUEL TANK	86172-MKY-D00	ZA			F-50-1	9
33	STRIPE, L. FUEL TANK FR. COVER	86174-MKY-D00	ZA			F-50-1	12
34	STRIPE, L. RR. COWL A	86772-MKY-D00	ZA			F-50-1	30
35	STRIPE, R. FR. LOWER COWL	86647-MKY-D00	ZA			F-50-1	24
36	STRIPE, R. FUEL TANK	86171-MKY-D00	ZA			F-50-1	7
37	STRIPE, R. FUEL TANK FR. COVER	86173-MKY-D00	ZA			F-50-1	11
38	STRIPE, R. RR. COWL A	86771-MKY-D00	ZA			F-50-1	28
39	TANK ASSY., FUEL	17500-MKY-D00	ZA			F-21	7
40	TRIM, FUEL TANK	17516-KCZ-000	ZB			F-21	8
41	WHEEL SUB ASSY., FR.	44650-MKY-D50	ZB			F-14-40	7
42	WHEEL SUB ASSY., RR.	42650-MKY-D50	ZB			F-19-40	10
43	WINDSCREEN SET	67110-MKN-D10	ZA			F-43	8

CBR650RA (CBR650RAN).....3FO,MA

No.	MODEL		CBR650RAN				
	COLOR		Mat gunpowder black metallic NH-436M	Applicable model		Applicable block No.	Ref. No.
	CODE			Initial applicable model	Final applicable model		
	Name of colored parts	Basic part No.	NH436				
1	BODY SET, FRAME	50010-MKY-D10	ZA			F-39	1
2	BRACKET B, L. ENGINE HANGER	50212-MKN-D50	ZA			F-39	3
3	BRACKET B, R. ENGINE HANGER	50211-MKN-D50	ZA			F-39	2
4	COVER ASSY., FUEL TANK FR.	17570-MKY-D00	ZA			F-21	18
5	COVER SET, RR. FENDER STAY UPPER	80150-MKY-D50	ZA			F-34	11
6	COWL ASSY., R. UNDER	64275-MKY-D10	ZB			F-46	5
7	COWL SET A, L. MIDDLE	64220-MKY-D10	ZB			F-45	3
8	COWL SET A, L. RR.	77240-MKY-D00	ZA			F-23	16
9	COWL SET A, R. MIDDLE	64210-MKY-D10	ZB			F-45	2
10	COWL SET A, R. RR.	77230-MKY-D00	ZA			F-23	12
11	COWL SET B, L. MIDDLE	64240-MKY-D00	ZA			F-45	5
12	COWL SET B, R. MIDDLE	64230-MKY-D00	ZA			F-45	4
13	COWL SET, FR. LOWER	64190-MKY-D00	ZA			F-45	1
14	COWL SET, L. UNDER	64300-MKY-D10	ZC			F-46	6
15	COWL, FR. UPPER	64111-MKN-D10	ZH			F-43	2
16	FENDER SET, FR.	61110-MKY-D50	ZE			F-10	3
17	MARK, ABS	86611-MGZ-D10	ZB			F-50-1	15
18	MARK, HONDA	86101-MJE-D00	ZA			F-50-1	3
19	MARK, HONDA	86102-MGZ-J00	ZA			F-50-1	4
20	MARK, L.	86104-MKY-D10	ZB			F-50-1	6
21	MARK, L. WING	86202-MKY-D50	ZE			F-50-1	14
22	MARK, MIDDLE COWL A	86641-MKY-D10	ZA			F-50-1	16
23	MARK, R.	86103-MKY-D10	ZA			F-50-1	5
24	MARK, R. WING	86201-MKY-D50	ZE			F-50-1	13
25	SEAT ASSY., MAIN	77100-MKY-D51	ZB			F-23	3



CBR650RA (CBR650RAN).....3FO,MA

No.	MODEL		CBR650RAN				
	COLOR		Mat gunpowder black metallic NH-436M	Applicable model		Applicable block No.	Ref. No.
	CODE			Initial applicable model	Final applicable model		
	Name of colored parts	Basic part No.	NH436				
26	SEAT ASSY., PILLION	77300-MKY-D51	ZB			F-23	17
27	STRIPE A, L. MIDDLE COWL B	86644-MKY-D00	ZA			F-50-1	21
28	STRIPE A, R. MIDDLE COWL B	86643-MKY-D00	ZA			F-50-1	19
29	STRIPE B, L. MIDDLE COWL B	86646-MKY-D00	ZA			F-50-1	23
30	STRIPE B, R. MIDDLE COWL B	86645-MKY-D00	ZA			F-50-1	22
31	STRIPE, L. FR. LOWER COWL	86648-MKY-D00	ZA			F-50-1	26
32	STRIPE, L. FUEL TANK	86172-MKY-D00	ZA			F-50-1	9
33	STRIPE, L. FUEL TANK FR. COVER	86174-MKY-D00	ZA			F-50-1	12
34	STRIPE, L. RR. COWL A	86772-MKY-D00	ZA			F-50-1	30
35	STRIPE, R. FR. LOWER COWL	86647-MKY-D00	ZA			F-50-1	24
36	STRIPE, R. FUEL TANK	86171-MKY-D00	ZA			F-50-1	7
37	STRIPE, R. FUEL TANK FR. COVER	86173-MKY-D00	ZA			F-50-1	11
38	STRIPE, R. RR. COWL A	86771-MKY-D00	ZA			F-50-1	28
39	TANK ASSY., FUEL	17500-MKY-D00	ZA			F-21	7
40	TRIM, FUEL TANK	17516-KCZ-000	ZB			F-21	8
41	WHEEL SUB ASSY., FR.	44650-MKY-D50	ZB			F-14-40	7
42	WHEEL SUB ASSY., RR.	42650-MKY-D50	ZB			F-19-40	10
43	WINDSCREEN SET	67110-MKN-D10	ZA			F-43	8

CBR650RA (CBR650RAN).....CH

No.	MODEL		CBR650RAN				
	COLOR		Mat gunpowder black metallic NH-436M	Applicable model		Applicable block No.	Ref. No.
	CODE			Initial applicable model	Final applicable model		
	Name of colored parts	Basic part No.	NH436				
1	BODY SET, FRAME	50010-MKY-D10	ZA			F-39	1
2	BRACKET B, L. ENGINE HANGER	50212-MKN-D50	ZA			F-39	3
3	BRACKET B, R. ENGINE HANGER	50211-MKN-D50	ZA			F-39	2
4	COVER ASSY., FUEL TANK FR.	17570-MKY-D00	ZA			F-21	18
5	COVER SET, RR. FENDER STAY UPPER	80150-MKY-D50	ZA			F-34	11
6	COWL ASSY., R. UNDER	64275-MKY-D10	ZB			F-46	5
7	COWL SET A, L. MIDDLE	64220-MKY-D10	ZB			F-45	3
8	COWL SET A, L. RR.	77240-MKY-D00	ZA			F-23	16
9	COWL SET A, R. MIDDLE	64210-MKY-D10	ZB			F-45	2
10	COWL SET A, R. RR.	77230-MKY-D00	ZA			F-23	12
11	COWL SET B, L. MIDDLE	64240-MKY-D00	ZA			F-45	5
12	COWL SET B, R. MIDDLE	64230-MKY-D00	ZA			F-45	4
13	COWL SET, FR. LOWER	64190-MKY-D00	ZA			F-45	1
14	COWL SET, L. UNDER	64300-MKY-D10	ZC			F-46	6
15	COWL, FR. UPPER	64111-MKN-D10	ZH			F-43	2
16	FENDER SET, FR.	61110-MKY-D50	ZE			F-10	3
17	MARK, ABS	86611-MGZ-D10	ZB			F-50-1	15
18	MARK, HONDA	86101-MJE-D00	ZA			F-50-1	3
19	MARK, HONDA	86102-MGZ-J00	ZA			F-50-1	4
20	MARK, L.	86104-MKY-D10	ZB			F-50-1	6
21	MARK, L. WING	86202-MKY-D50	ZE			F-50-1	14
22	MARK, MIDDLE COWL A	86641-MKY-D10	ZA			F-50-1	16
23	MARK, R.	86103-MKY-D10	ZA			F-50-1	5
24	MARK, R. WING	86201-MKY-D50	ZE			F-50-1	13
25	SEAT ASSY., MAIN	77100-MKY-D51	ZB			F-23	3



CBR650RA (CBR650RAN).....CH

No.	MODEL		CBR650RAN				
	COLOR		Mat gunpowder black metallic NH-436M	Applicable model		Applicable block No.	Ref. No.
	CODE			Initial applicable model	Final applicable model		
	Name of colored parts	Basic part No.	NH436				
26	SEAT ASSY., PILLION	77300-MKY-D51	ZB			F-23	17
27	STRIPE A, L. MIDDLE COWL B	86644-MKY-D00	ZA			F-50-1	21
28	STRIPE A, R. MIDDLE COWL B	86643-MKY-D00	ZA			F-50-1	19
29	STRIPE B, L. MIDDLE COWL B	86646-MKY-D00	ZA			F-50-1	23
30	STRIPE B, R. MIDDLE COWL B	86645-MKY-D00	ZA			F-50-1	22
31	STRIPE, L. FR. LOWER COWL	86648-MKY-D00	ZA			F-50-1	26
32	STRIPE, L. FUEL TANK	86172-MKY-D00	ZA			F-50-1	9
33	STRIPE, L. FUEL TANK FR. COVER	86174-MKY-D00	ZA			F-50-1	12
34	STRIPE, L. RR. COWL A	86772-MKY-D00	ZA			F-50-1	30
35	STRIPE, R. FR. LOWER COWL	86647-MKY-D00	ZA			F-50-1	24
36	STRIPE, R. FUEL TANK	86171-MKY-D00	ZA			F-50-1	7
37	STRIPE, R. FUEL TANK FR. COVER	86173-MKY-D00	ZA			F-50-1	11
38	STRIPE, R. RR. COWL A	86771-MKY-D00	ZA			F-50-1	28
39	TANK ASSY., FUEL	17500-MKY-H00	ZA			F-21	7
40	TRIM, FUEL TANK	17516-KCZ-000	ZB			F-21	8
41	WHEEL SUB ASSY., FR.	44650-MKY-D50	ZB			F-14-40	7
42	WHEEL SUB ASSY., RR.	42650-MKY-D50	ZB			F-19-40	10
43	WINDSCREEN SET	67110-MKN-D10	ZA			F-43	8

CBR650RA (CBR650RAN).....FO

No.	MODEL		CBR650RAN				
	COLOR		Mat gunpowder black metallic NH-436M	Applicable model		Applicable block No.	Ref. No.
	CODE			Initial applicable model	Final applicable model		
	Name of colored parts	Basic part No.	NH436				
1	BODY SET, FRAME	50010-MKY-D10	ZA			F-39	1
2	BRACKET B, L. ENGINE HANGER	50212-MKN-D50	ZA			F-39	3
3	BRACKET B, R. ENGINE HANGER	50211-MKN-D50	ZA			F-39	2
4	COVER ASSY., FUEL TANK FR.	17570-MKY-D10	ZC			F-21	18
5	COVER SET, RR. FENDER STAY UPPER	80150-MKY-D50	ZA			F-34	11
6	COWL ASSY., R. UNDER	64275-MKY-D10	ZB			F-46	5
7	COWL SET A, L. MIDDLE	64220-MKY-D10	ZB			F-45	3
8	COWL SET A, L. RR.	77240-MKY-D10	ZD			F-23	16
9	COWL SET A, R. MIDDLE	64210-MKY-D10	ZB			F-45	2
10	COWL SET A, R. RR.	77230-MKY-D10	ZD			F-23	12
11	COWL SET B, L. MIDDLE	64240-MKY-D10	ZA			F-45	5
12	COWL SET B, R. MIDDLE	64230-MKY-D10	ZA			F-45	4
13	COWL SET, FR. LOWER	64190-MKY-D10	ZA			F-45	1
14	COWL SET, L. UNDER	64300-MKY-D10	ZC			F-46	6
15	COWL, FR. UPPER	64111-MKN-D10	ZH			F-43	2
16	FENDER SET, FR.	61110-MKY-D50	ZE			F-10	3
17	MARK, ABS	86611-MGZ-D10	ZB			F-50-1	15
18	MARK, HONDA	86101-MJE-D00	ZA			F-50-1	3
19	MARK, HONDA	86102-MGZ-J00	ZA			F-50-1	4
20	MARK, L.	86104-MKY-D10	ZB			F-50-1	6
21	MARK, L. WING	86202-MKY-D50	ZE			F-50-1	14
22	MARK, MIDDLE COWL A	86641-MKY-D10	ZA			F-50-1	16
23	MARK, R.	86103-MKY-D10	ZA			F-50-1	5
24	MARK, R. WING	86201-MKY-D50	ZE			F-50-1	13
25	SEAT ASSY., MAIN	77100-MKY-D51	ZB			F-23	3



CBR650RA (CBR650RAN).....FO

No.	MODEL		CBR650RAN				
	COLOR		Mat gunpowder black metallic NH-436M	Applicable model		Applicable block No.	Ref. No.
	CODE			Initial applicable model	Final applicable model		
	Name of colored parts	Basic part No.	NH436				
26	SEAT ASSY., PILLION	77300-MKY-D51	ZB			F-23	17
27	STRIPE A, L. MIDDLE COWL B	86644-MKY-D10	ZA			F-50-1	21
28	STRIPE A, R. MIDDLE COWL B	86643-MKY-D10	ZA			F-50-1	19
29	STRIPE B, L. MIDDLE COWL B	86646-MKY-D10	ZA			F-50-1	23
30	STRIPE B, R. MIDDLE COWL B	86645-MKY-D10	ZA			F-50-1	22
31	STRIPE, L. FR. LOWER COWL	86648-MKY-D10	ZA			F-50-1	26
32	STRIPE, L. FUEL TANK	86172-MKY-D10	ZA			F-50-1	9
33	STRIPE, L. FUEL TANK FR. COVER	86174-MKY-D10	ZA			F-50-1	12
34	STRIPE, L. RR. COWL A	86772-MKY-D10	ZA			F-50-1	30
35	STRIPE, R. FR. LOWER COWL	86647-MKY-D10	ZA			F-50-1	24
36	STRIPE, R. FUEL TANK	86171-MKY-D10	ZA			F-50-1	7
37	STRIPE, R. FUEL TANK FR. COVER	86173-MKY-D10	ZA			F-50-1	11
38	STRIPE, R. RR. COWL A	86771-MKY-D10	ZA			F-50-1	28
39	TANK ASSY., FUEL	17500-MKY-D10	ZC			F-21	7
40	TRIM, FUEL TANK	17516-KCZ-000	ZB			F-21	8
41	WHEEL SUB ASSY., FR.	44650-MKY-D50	ZB			F-14-40	7
42	WHEEL SUB ASSY., RR.	42650-MKY-D50	ZB			F-19-40	10
43	WINDSCREEN SET	67110-MKN-D10	ZA			F-43	8

CBR650RA (CBR650RAN).....KO,U

No.	MODEL		CBR650RAN				
	COLOR		Mat gunpowder black metallic NH-436M	Applicable model		Applicable block No.	Ref. No.
	CODE			Initial applicable model	Final applicable model		
	Name of colored parts	Basic part No.	NH436				
1	BODY SET, FRAME	50010-MKY-D10	ZA			F-39	1
2	BRACKET B, L. ENGINE HANGER	50212-MKN-D50	ZA			F-39	3
3	BRACKET B, R. ENGINE HANGER	50211-MKN-D50	ZA			F-39	2
4	COVER ASSY., FUEL TANK FR.	17570-MKY-D00	ZA			F-21	18
5	COVER SET, RR. FENDER STAY UPPER	80150-MKY-D50	ZA			F-34	11
6	COWL ASSY., R. UNDER	64275-MKY-D10	ZB			F-46	5
7	COWL SET A, L. MIDDLE	64220-MKY-D10	ZB			F-45	3
8	COWL SET A, L. RR.	77240-MKY-D00	ZA			F-23	16
9	COWL SET A, R. MIDDLE	64210-MKY-D10	ZB			F-45	2
10	COWL SET A, R. RR.	77230-MKY-D00	ZA			F-23	12
11	COWL SET B, L. MIDDLE	64240-MKY-D00	ZA			F-45	5
12	COWL SET B, R. MIDDLE	64230-MKY-D00	ZA			F-45	4
13	COWL SET, FR. LOWER	64190-MKY-D00	ZA			F-45	1
14	COWL SET, L. UNDER	64300-MKY-D10	ZC			F-46	6
15	COWL, FR. UPPER	64111-MKN-D10	ZH			F-43	2
16	FENDER SET, FR.	61110-MKY-D50	ZE			F-10	3
17	MARK, ABS	86611-MGZ-D10	ZB			F-50-1	15
18	MARK, HONDA	86101-MJE-D00	ZA			F-50-1	3
19	MARK, HONDA	86102-MGZ-J00	ZA			F-50-1	4
20	MARK, L.	86104-MKY-D10	ZB			F-50-1	6
21	MARK, L. WING	86202-MKY-D50	ZE			F-50-1	14
22	MARK, MIDDLE COWL A	86641-MKY-D10	ZA			F-50-1	16
23	MARK, R.	86103-MKY-D10	ZA			F-50-1	5
24	MARK, R. WING	86201-MKY-D50	ZE			F-50-1	13
25	SEAT ASSY., MAIN	77100-MKY-D51	ZB			F-23	3



CBR650RA (CBR650RAN).....KO,U

No.	MODEL		CBR650RAN				
	COLOR		Mat gunpowder black metallic NH-436M	Applicable model		Applicable block No.	Ref. No.
	CODE			Initial applicable model	Final applicable model		
	Name of colored parts	Basic part No.	NH436				
26	SEAT ASSY., PILLION	77300-MKY-D51	ZB			F-23	17
27	STRIPE A, L. MIDDLE COWL B	86644-MKY-D00	ZA			F-50-1	21
28	STRIPE A, R. MIDDLE COWL B	86643-MKY-D00	ZA			F-50-1	19
29	STRIPE B, L. MIDDLE COWL B	86646-MKY-D00	ZA			F-50-1	23
30	STRIPE B, R. MIDDLE COWL B	86645-MKY-D00	ZA			F-50-1	22
31	STRIPE, L. FR. LOWER COWL	86648-MKY-D00	ZA			F-50-1	26
32	STRIPE, L. FUEL TANK	86172-MKY-D00	ZA			F-50-1	9
33	STRIPE, L. FUEL TANK FR. COVER	86174-MKY-D00	ZA			F-50-1	12
34	STRIPE, L. RR. COWL A	86772-MKY-D00	ZA			F-50-1	30
35	STRIPE, R. FR. LOWER COWL	86647-MKY-D00	ZA			F-50-1	24
36	STRIPE, R. FUEL TANK	86171-MKY-D00	ZA			F-50-1	7
37	STRIPE, R. FUEL TANK FR. COVER	86173-MKY-D00	ZA			F-50-1	11
38	STRIPE, R. RR. COWL A	86771-MKY-D00	ZA			F-50-1	28
39	TANK ASSY., FUEL	17500-MKY-D00	ZA			F-21	7
40	TRIM, FUEL TANK	17516-KCZ-000	ZB			F-21	8
41	WHEEL SUB ASSY., FR.	44650-MKY-D50	ZB			F-14-40	7
42	WHEEL SUB ASSY., RR.	42650-MKY-D50	ZB			F-19-40	10
43	WINDSCREEN SET	67110-MKN-D10	ZA			F-43	8

CBR650RA (CBR650RAP).....2ED,4ED

No.	MODEL		CBR650RAP				
	COLOR		Grand prix red R-380	Applicable model		Applicable block No.	Ref. No.
	CODE			Initial applicable model	Final applicable model		
	Name of colored parts	Basic part No.	R380				
1	BODY SET, FRAME	50010-MKY-D10	ZA			F-39	1
2	BRACKET B, L. ENGINE HANGER	50212-MKN-D50	ZA			F-39	3
3	BRACKET B, R. ENGINE HANGER	50211-MKN-D50	ZA			F-39	2
4	COVER ASSY., FUEL TANK FR.	17570-MKY-D50	ZF			F-21	18
5	COVER SET, RR. FENDER STAY UPPER	80150-MKY-D50	ZA			F-34	11
6	COWL ASSY., R. UNDER	64275-MKY-DM0	ZA			F-46	5
7	COWL SET A, L. MIDDLE	64220-MKY-DM0	ZA			F-45	3
8	COWL SET A, L. RR.	77240-MKY-DM0	ZA			F-23	16
9	COWL SET A, R. MIDDLE	64210-MKY-DM0	ZA			F-45	2
10	COWL SET A, R. RR.	77230-MKY-DM0	ZA			F-23	12
11	COWL SET, FR. UPPER	64110-MKY-DM0	ZA			F-43	2
12	COWL SET, L. UNDER	64300-MKY-DM0	ZA			F-46	6
13	FENDER SET, FR.	61110-MKN-D50	ZC			F-10	3
14	MARK, ABS	86611-MGZ-D10	ZA			F-50-1	15
15	MARK, HONDA	86101-MJE-D00	ZA			F-50-1	3
16	MARK, HONDA	86102-MGZ-J00	ZA			F-50-1	4
17	MARK, L.	86104-MKY-DM0	ZA			F-50-1	6
18	MARK, L. WING	86202-MKY-DN0	ZA			F-50-1	14
19	MARK, R.	86103-MKY-DM0	ZA			F-50-1	5
20	MARK, R. WING	86201-MKY-DN0	ZA			F-50-1	13
21	SEAT ASSY., MAIN	77100-MKY-D51	ZB			F-23	3
22	SEAT ASSY., PILLION	77300-MKY-D51	ZB			F-23	17
23	STRIPE A, L. MIDDLE COWL A	86642-MKY-DM0	ZA			F-50-1	18
24	STRIPE A, R. MIDDLE COWL A	86641-MKY-DM0	ZA			F-50-1	17
25	STRIPE B, L. MIDDLE COWL A	86648-MKY-DM0	ZA			F-50-1	27



CBR650RA (CBR650RAP).....2ED,4ED

No.	MODEL		CBR650RAP				
	COLOR		Grand prix red	Applicable model		Applicable block No.	Ref. No.
	CODE		R-380	Initial applicable model	Final applicable model		
	Name of colored parts	Basic part No.	R380				
26	STRIPE B, R. MIDDLE COWL A	86647-MKY-DM0	ZA			F-50-1	25
27	STRIPE KIT, L. WHEEL	42880-MKY-D30	ZB			F-50-1	2
28	STRIPE KIT, R. WHEEL	42870-MKY-D30	ZB			F-50-1	1
29	STRIPE, FR. UPPER COWL	86643-MKY-DM0	ZA			F-50-1	20
30	STRIPE, L. FUEL TANK	86172-MKY-DM0	ZA			F-50-1	10
31	STRIPE, L. RR. COWL A	86772-MKY-DM0	ZA			F-50-1	31
32	STRIPE, R. FUEL TANK	86171-MKY-DM0	ZA			F-50-1	8
33	STRIPE, R. RR. COWL A	86771-MKY-DM0	ZA			F-50-1	29
34	TANK ASSY., FUEL	17500-MKY-DM0	ZA			F-21	7
35	TRIM, FUEL TANK	17516-KCZ-000	ZB			F-21	8
36	WHEEL SUB ASSY., FR.	44650-MKY-D30	ZA			F-14-40	7
37	WHEEL SUB ASSY., RR.	42650-MKY-D30	ZA			F-19-40	10
38	WINDSCREEN SET	67110-MKN-D10	ZA			F-43	8

CBR650RA (CBR650RAP).....2GS,2MA,2PH,2V,4FO

No.	MODEL		CBR650RAP				
	COLOR		Grand prix red R-380	Applicable model		Applicable block No.	Ref. No.
	CODE			Initial applicable model	Final applicable model		
	Name of colored parts	Basic part No.	R380				
1	BODY SET, FRAME	50010-MKY-D10	ZA			F-39	1
2	BRACKET B, L. ENGINE HANGER	50212-MKN-D50	ZA			F-39	3
3	BRACKET B, R. ENGINE HANGER	50211-MKN-D50	ZA			F-39	2
4	COVER ASSY., FUEL TANK FR.	17570-MKY-D50	ZF			F-21	18
5	COVER SET, RR. FENDER STAY UPPER	80150-MKY-D50	ZA			F-34	11
6	COWL ASSY., R. UNDER	64275-MKY-DM0	ZA			F-46	5
7	COWL SET A, L. MIDDLE	64220-MKY-DM0	ZA			F-45	3
8	COWL SET A, L. RR.	77240-MKY-DM0	ZA			F-23	16
9	COWL SET A, R. MIDDLE	64210-MKY-DM0	ZA			F-45	2
10	COWL SET A, R. RR.	77230-MKY-DM0	ZA			F-23	12
11	COWL SET, FR. UPPER	64110-MKY-DM0	ZA			F-43	2
12	COWL SET, L. UNDER	64300-MKY-DM0	ZA			F-46	6
13	FENDER SET, FR.	61110-MKN-D50	ZC			F-10	3
14	MARK, ABS	86611-MGZ-D10	ZA			F-50-1	15
15	MARK, HONDA	86101-MJE-D00	ZA			F-50-1	3
16	MARK, HONDA	86102-MGZ-J00	ZA			F-50-1	4
17	MARK, L.	86104-MKY-DM0	ZA			F-50-1	6
18	MARK, L. WING	86202-MKY-DN0	ZA			F-50-1	14
19	MARK, R.	86103-MKY-DM0	ZA			F-50-1	5
20	MARK, R. WING	86201-MKY-DN0	ZA			F-50-1	13
21	SEAT ASSY., MAIN	77100-MKY-D51	ZB			F-23	3
22	SEAT ASSY., PILLION	77300-MKY-D51	ZB			F-23	17
23	STRIPE A, L. MIDDLE COWL A	86642-MKY-DM0	ZA			F-50-1	18
24	STRIPE A, R. MIDDLE COWL A	86641-MKY-DM0	ZA			F-50-1	17
25	STRIPE B, L. MIDDLE COWL A	86648-MKY-DM0	ZA			F-50-1	27



CBR650RA (CBR650RAP).....2GS,2MA,2PH,2V,4FO

No.	MODEL		CBR650RAP				
	COLOR		Grand prix red	Applicable model		Applicable block No.	Ref. No.
	CODE		R-380	Initial applicable model	Final applicable model		
	Name of colored parts	Basic part No.	R380				
26	STRIPE B, R. MIDDLE COWL A	86647-MKY-DM0	ZA			F-50-1	25
27	STRIPE KIT, L. WHEEL	42880-MKY-D30	ZB			F-50-1	2
28	STRIPE KIT, R. WHEEL	42870-MKY-D30	ZB			F-50-1	1
29	STRIPE, FR. UPPER COWL	86643-MKY-DM0	ZA			F-50-1	20
30	STRIPE, L. FUEL TANK	86172-MKY-DM0	ZA			F-50-1	10
31	STRIPE, L. RR. COWL A	86772-MKY-DM0	ZA			F-50-1	31
32	STRIPE, R. FUEL TANK	86171-MKY-DM0	ZA			F-50-1	8
33	STRIPE, R. RR. COWL A	86771-MKY-DM0	ZA			F-50-1	29
34	TANK ASSY., FUEL	17500-MKY-DM0	ZA			F-21	7
35	TRIM, FUEL TANK	17516-KCZ-000	ZB			F-21	8
36	WHEEL SUB ASSY., FR.	44650-MKY-D30	ZA			F-14-40	7
37	WHEEL SUB ASSY., RR.	42650-MKY-D30	ZA			F-19-40	10
38	WINDSCREEN SET	67110-MKN-D10	ZA			F-43	8

CBR650RA (CBR650RAP).....2KO,2RU,2U

No.	MODEL		CBR650RAP				
	COLOR		Grand prix red R-380	Applicable model		Applicable block No.	Ref. No.
	CODE			Initial applicable model	Final applicable model		
	Name of colored parts	Basic part No.	R380				
1	BODY SET, FRAME	50010-MKY-D10	ZA			F-39	1
2	BRACKET B, L. ENGINE HANGER	50212-MKN-D50	ZA			F-39	3
3	BRACKET B, R. ENGINE HANGER	50211-MKN-D50	ZA			F-39	2
4	COVER ASSY., FUEL TANK FR.	17570-MKY-D50	ZF			F-21	18
5	COVER SET, RR. FENDER STAY UPPER	80150-MKY-D50	ZA			F-34	11
6	COWL ASSY., R. UNDER	64275-MKY-DM0	ZA			F-46	5
7	COWL SET A, L. MIDDLE	64220-MKY-DM0	ZA			F-45	3
8	COWL SET A, L. RR.	77240-MKY-DM0	ZA			F-23	16
9	COWL SET A, R. MIDDLE	64210-MKY-DM0	ZA			F-45	2
10	COWL SET A, R. RR.	77230-MKY-DM0	ZA			F-23	12
11	COWL SET, FR. UPPER	64110-MKY-DM0	ZA			F-43	2
12	COWL SET, L. UNDER	64300-MKY-DM0	ZA			F-46	6
13	FENDER SET, FR.	61110-MKN-D50	ZC			F-10	3
14	MARK, ABS	86611-MGZ-D10	ZA			F-50-1	15
15	MARK, HONDA	86101-MJE-D00	ZA			F-50-1	3
16	MARK, HONDA	86102-MGZ-J00	ZA			F-50-1	4
17	MARK, L.	86104-MKY-DM0	ZA			F-50-1	6
18	MARK, L. WING	86202-MKY-DN0	ZA			F-50-1	14
19	MARK, R.	86103-MKY-DM0	ZA			F-50-1	5
20	MARK, R. WING	86201-MKY-DN0	ZA			F-50-1	13
21	SEAT ASSY., MAIN	77100-MKY-D51	ZB			F-23	3
22	SEAT ASSY., PILLION	77300-MKY-D51	ZB			F-23	17
23	STRIPE A, L. MIDDLE COWL A	86642-MKY-DM0	ZA			F-50-1	18
24	STRIPE A, R. MIDDLE COWL A	86641-MKY-DM0	ZA			F-50-1	17
25	STRIPE B, L. MIDDLE COWL A	86648-MKY-DM0	ZA			F-50-1	27



CBR650RA (CBR650RAP).....2KO,2RU,2U

No.	MODEL		CBR650RAP				
	COLOR		Grand prix red	Applicable model		Applicable block No.	Ref. No.
	CODE		R-380	Initial applicable model	Final applicable model		
	Name of colored parts	Basic part No.	R380				
26	STRIPE B, R. MIDDLE COWL A	86647-MKY-DM0	ZA			F-50-1	25
27	STRIPE KIT, L. WHEEL	42880-MKY-D30	ZB			F-50-1	2
28	STRIPE KIT, R. WHEEL	42870-MKY-D30	ZB			F-50-1	1
29	STRIPE, FR. UPPER COWL	86643-MKY-DM0	ZA			F-50-1	20
30	STRIPE, L. FUEL TANK	86172-MKY-DM0	ZA			F-50-1	10
31	STRIPE, L. RR. COWL A	86772-MKY-DM0	ZA			F-50-1	31
32	STRIPE, R. FUEL TANK	86171-MKY-DM0	ZA			F-50-1	8
33	STRIPE, R. RR. COWL A	86771-MKY-DM0	ZA			F-50-1	29
34	TANK ASSY., FUEL	17500-MKY-DM0	ZA			F-21	7
35	TRIM, FUEL TANK	17516-KCZ-000	ZB			F-21	8
36	WHEEL SUB ASSY., FR.	44650-MKY-D30	ZA			F-14-40	7
37	WHEEL SUB ASSY., RR.	42650-MKY-D30	ZA			F-19-40	10
38	WINDSCREEN SET	67110-MKN-D10	ZA			F-43	8

CBR650RA (CBR650RAP).....3ED,ED

No.	MODEL		CBR650RAP				
	COLOR		Mat gunpowder black metallic NH-436M	Applicable model		Applicable block No.	Ref. No.
	CODE			Initial applicable model	Final applicable model		
	Name of colored parts	Basic part No.	NH436				
1	BODY SET, FRAME	50010-MKY-D10	ZA			F-39	1
2	BRACKET B, L. ENGINE HANGER	50212-MKN-D50	ZA			F-39	3
3	BRACKET B, R. ENGINE HANGER	50211-MKN-D50	ZA			F-39	2
4	COVER ASSY., FUEL TANK FR.	17570-MKY-DL0	ZA			F-21	18
5	COVER SET, RR. FENDER STAY UPPER	80150-MKY-D50	ZA			F-34	11
6	COWL ASSY., R. UNDER	64275-MKY-D10	ZB			F-46	5
7	COWL SET A, L. MIDDLE	64220-MKY-DL0	ZA			F-45	3
8	COWL SET A, L. RR.	77240-MKY-DL0	ZA			F-23	16
9	COWL SET A, R. MIDDLE	64210-MKY-DL0	ZA			F-45	2
10	COWL SET A, R. RR.	77230-MKY-DL0	ZA			F-23	12
11	COWL SET B, L. MIDDLE	64240-MKY-DL0	ZA			F-45	5
12	COWL SET B, R. MIDDLE	64230-MKY-DL0	ZA			F-45	4
13	COWL SET, FR. LOWER	64190-MKY-DL0	ZA			F-45	1
14	COWL SET, L. UNDER	64300-MKY-D10	ZC			F-46	6
15	COWL, FR. UPPER	64111-MKN-D10	ZH			F-43	2
16	FENDER SET, FR.	61110-MKY-D50	ZE			F-10	3
17	MARK, ABS	86611-MGZ-D10	ZB			F-50-1	15
18	MARK, HONDA	86101-MJE-D00	ZA			F-50-1	3
19	MARK, HONDA	86102-MGZ-J00	ZA			F-50-1	4
20	MARK, L.	86104-MKY-D10	ZB			F-50-1	6
21	MARK, L. WING	86202-MKY-D50	ZE			F-50-1	14
22	MARK, MIDDLE COWL A	86641-MKY-DL0	ZA			F-50-1	16
23	MARK, R.	86103-MKY-D10	ZA			F-50-1	5
24	MARK, R. WING	86201-MKY-D50	ZE			F-50-1	13
25	SEAT ASSY., MAIN	77100-MKY-D51	ZB			F-23	3



CBR650RA (CBR650RAP).....3ED,ED

No.	MODEL		CBR650RAP				
	COLOR		Mat gunpowder black metallic NH-436M	Applicable model		Applicable block No.	Ref. No.
	CODE			Initial applicable model	Final applicable model		
	Name of colored parts	Basic part No.	NH436				
26	SEAT ASSY., PILLION	77300-MKY-D51	ZB			F-23	17
27	STRIPE A, L. MIDDLE COWL B	86644-MKY-DL0	ZA			F-50-1	21
28	STRIPE A, R. MIDDLE COWL B	86643-MKY-DL0	ZA			F-50-1	19
29	STRIPE B, L. MIDDLE COWL B	86646-MKY-DL0	ZA			F-50-1	23
30	STRIPE B, R. MIDDLE COWL B	86645-MKY-DL0	ZA			F-50-1	22
31	STRIPE, L. FR. LOWER COWL	86648-MKY-DL0	ZA			F-50-1	26
32	STRIPE, L. FUEL TANK	86172-MKY-DL0	ZA			F-50-1	9
33	STRIPE, L. FUEL TANK FR. COVER	86174-MKY-DL0	ZA			F-50-1	12
34	STRIPE, L. RR. COWL A	86772-MKY-DL0	ZA			F-50-1	30
35	STRIPE, R. FR. LOWER COWL	86647-MKY-DL0	ZA			F-50-1	24
36	STRIPE, R. FUEL TANK	86171-MKY-DL0	ZA			F-50-1	7
37	STRIPE, R. FUEL TANK FR. COVER	86173-MKY-DL0	ZA			F-50-1	11
38	STRIPE, R. RR. COWL A	86771-MKY-DL0	ZA			F-50-1	28
39	TANK ASSY., FUEL	17500-MKY-DL0	ZA			F-21	7
40	TRIM, FUEL TANK	17516-KCZ-000	ZB			F-21	8
41	WHEEL SUB ASSY., FR.	44650-MKY-D50	ZB			F-14-40	7
42	WHEEL SUB ASSY., RR.	42650-MKY-D50	ZB			F-19-40	10
43	WINDSCREEN SET	67110-MKN-D10	ZA			F-43	8

CBR650RA (CBR650RAP).....3FO,GS,MA,PH,V

No.	MODEL		CBR650RAP				
	COLOR		Mat gunpowder black metallic NH-436M	Applicable model		Applicable block No.	Ref. No.
	CODE			Initial applicable model	Final applicable model		
	Name of colored parts	Basic part No.	NH436				
1	BODY SET, FRAME	50010-MKY-D10	ZA			F-39	1
2	BRACKET B, L. ENGINE HANGER	50212-MKN-D50	ZA			F-39	3
3	BRACKET B, R. ENGINE HANGER	50211-MKN-D50	ZA			F-39	2
4	COVER ASSY., FUEL TANK FR.	17570-MKY-DL0	ZA			F-21	18
5	COVER SET, RR. FENDER STAY UPPER	80150-MKY-D50	ZA			F-34	11
6	COWL ASSY., R. UNDER	64275-MKY-D10	ZB			F-46	5
7	COWL SET A, L. MIDDLE	64220-MKY-DL0	ZA			F-45	3
8	COWL SET A, L. RR.	77240-MKY-DL0	ZA			F-23	16
9	COWL SET A, R. MIDDLE	64210-MKY-DL0	ZA			F-45	2
10	COWL SET A, R. RR.	77230-MKY-DL0	ZA			F-23	12
11	COWL SET B, L. MIDDLE	64240-MKY-DL0	ZA			F-45	5
12	COWL SET B, R. MIDDLE	64230-MKY-DL0	ZA			F-45	4
13	COWL SET, FR. LOWER	64190-MKY-DL0	ZA			F-45	1
14	COWL SET, L. UNDER	64300-MKY-D10	ZC			F-46	6
15	COWL, FR. UPPER	64111-MKN-D10	ZH			F-43	2
16	FENDER SET, FR.	61110-MKY-D50	ZE			F-10	3
17	MARK, ABS	86611-MGZ-D10	ZB			F-50-1	15
18	MARK, HONDA	86101-MJE-D00	ZA			F-50-1	3
19	MARK, HONDA	86102-MGZ-J00	ZA			F-50-1	4
20	MARK, L.	86104-MKY-D10	ZB			F-50-1	6
21	MARK, L. WING	86202-MKY-D50	ZE			F-50-1	14
22	MARK, MIDDLE COWL A	86641-MKY-DL0	ZA			F-50-1	16
23	MARK, R.	86103-MKY-D10	ZA			F-50-1	5
24	MARK, R. WING	86201-MKY-D50	ZE			F-50-1	13
25	SEAT ASSY., MAIN	77100-MKY-D51	ZB			F-23	3



CBR650RA (CBR650RAP).....3FO,GS,MA,PH,V

No.	MODEL		CBR650RAP				
	COLOR		Mat gunpowder black metallic NH-436M	Applicable model		Applicable block No.	Ref. No.
	CODE			Initial applicable model	Final applicable model		
	Name of colored parts	Basic part No.	NH436				
26	SEAT ASSY., PILLION	77300-MKY-D51	ZB			F-23	17
27	STRIPE A, L. MIDDLE COWL B	86644-MKY-DL0	ZA			F-50-1	21
28	STRIPE A, R. MIDDLE COWL B	86643-MKY-DL0	ZA			F-50-1	19
29	STRIPE B, L. MIDDLE COWL B	86646-MKY-DL0	ZA			F-50-1	23
30	STRIPE B, R. MIDDLE COWL B	86645-MKY-DL0	ZA			F-50-1	22
31	STRIPE, L. FR. LOWER COWL	86648-MKY-DL0	ZA			F-50-1	26
32	STRIPE, L. FUEL TANK	86172-MKY-DL0	ZA			F-50-1	9
33	STRIPE, L. FUEL TANK FR. COVER	86174-MKY-DL0	ZA			F-50-1	12
34	STRIPE, L. RR. COWL A	86772-MKY-DL0	ZA			F-50-1	30
35	STRIPE, R. FR. LOWER COWL	86647-MKY-DL0	ZA			F-50-1	24
36	STRIPE, R. FUEL TANK	86171-MKY-DL0	ZA			F-50-1	7
37	STRIPE, R. FUEL TANK FR. COVER	86173-MKY-DL0	ZA			F-50-1	11
38	STRIPE, R. RR. COWL A	86771-MKY-DL0	ZA			F-50-1	28
39	TANK ASSY., FUEL	17500-MKY-DL0	ZA			F-21	7
40	TRIM, FUEL TANK	17516-KCZ-000	ZB			F-21	8
41	WHEEL SUB ASSY., FR.	44650-MKY-D50	ZB			F-14-40	7
42	WHEEL SUB ASSY., RR.	42650-MKY-D50	ZB			F-19-40	10
43	WINDSCREEN SET	67110-MKN-D10	ZA			F-43	8

CBR650RA (CBR650RAP).....KO,RU,U

No.	MODEL		CBR650RAP				
	COLOR		Mat gunpowder black metallic NH-436M	Applicable model		Applicable block No.	Ref. No.
	CODE			Initial applicable model	Final applicable model		
	Name of colored parts	Basic part No.	NH436				
1	BODY SET, FRAME	50010-MKY-D10	ZA			F-39	1
2	BRACKET B, L. ENGINE HANGER	50212-MKN-D50	ZA			F-39	3
3	BRACKET B, R. ENGINE HANGER	50211-MKN-D50	ZA			F-39	2
4	COVER ASSY., FUEL TANK FR.	17570-MKY-DL0	ZA			F-21	18
5	COVER SET, RR. FENDER STAY UPPER	80150-MKY-D50	ZA			F-34	11
6	COWL ASSY., R. UNDER	64275-MKY-D10	ZB			F-46	5
7	COWL SET A, L. MIDDLE	64220-MKY-DL0	ZA			F-45	3
8	COWL SET A, L. RR.	77240-MKY-DL0	ZA			F-23	16
9	COWL SET A, R. MIDDLE	64210-MKY-DL0	ZA			F-45	2
10	COWL SET A, R. RR.	77230-MKY-DL0	ZA			F-23	12
11	COWL SET B, L. MIDDLE	64240-MKY-DL0	ZA			F-45	5
12	COWL SET B, R. MIDDLE	64230-MKY-DL0	ZA			F-45	4
13	COWL SET, FR. LOWER	64190-MKY-DL0	ZA			F-45	1
14	COWL SET, L. UNDER	64300-MKY-D10	ZC			F-46	6
15	COWL, FR. UPPER	64111-MKN-D10	ZH			F-43	2
16	FENDER SET, FR.	61110-MKY-D50	ZE			F-10	3
17	MARK, ABS	86611-MGZ-D10	ZB			F-50-1	15
18	MARK, HONDA	86101-MJE-D00	ZA			F-50-1	3
19	MARK, HONDA	86102-MGZ-J00	ZA			F-50-1	4
20	MARK, L.	86104-MKY-D10	ZB			F-50-1	6
21	MARK, L. WING	86202-MKY-D50	ZE			F-50-1	14
22	MARK, MIDDLE COWL A	86641-MKY-DL0	ZA			F-50-1	16
23	MARK, R.	86103-MKY-D10	ZA			F-50-1	5
24	MARK, R. WING	86201-MKY-D50	ZE			F-50-1	13
25	SEAT ASSY., MAIN	77100-MKY-D51	ZB			F-23	3



CBR650RA (CBR650RAP).....KO,RU,U

No.	MODEL		CBR650RAP				
	COLOR		Mat gunpowder black metallic NH-436M	Applicable model		Applicable block No.	Ref. No.
	CODE			Initial applicable model	Final applicable model		
	Name of colored parts	Basic part No.	NH436				
26	SEAT ASSY., PILLION	77300-MKY-D51	ZB			F-23	17
27	STRIPE A, L. MIDDLE COWL B	86644-MKY-DL0	ZA			F-50-1	21
28	STRIPE A, R. MIDDLE COWL B	86643-MKY-DL0	ZA			F-50-1	19
29	STRIPE B, L. MIDDLE COWL B	86646-MKY-DL0	ZA			F-50-1	23
30	STRIPE B, R. MIDDLE COWL B	86645-MKY-DL0	ZA			F-50-1	22
31	STRIPE, L. FR. LOWER COWL	86648-MKY-DL0	ZA			F-50-1	26
32	STRIPE, L. FUEL TANK	86172-MKY-DL0	ZA			F-50-1	9
33	STRIPE, L. FUEL TANK FR. COVER	86174-MKY-DL0	ZA			F-50-1	12
34	STRIPE, L. RR. COWL A	86772-MKY-DL0	ZA			F-50-1	30
35	STRIPE, R. FR. LOWER COWL	86647-MKY-DL0	ZA			F-50-1	24
36	STRIPE, R. FUEL TANK	86171-MKY-DL0	ZA			F-50-1	7
37	STRIPE, R. FUEL TANK FR. COVER	86173-MKY-DL0	ZA			F-50-1	11
38	STRIPE, R. RR. COWL A	86771-MKY-DL0	ZA			F-50-1	28
39	TANK ASSY., FUEL	17500-MKY-DL0	ZA			F-21	7
40	TRIM, FUEL TANK	17516-KCZ-000	ZB			F-21	8
41	WHEEL SUB ASSY., FR.	44650-MKY-D50	ZB			F-14-40	7
42	WHEEL SUB ASSY., RR.	42650-MKY-D50	ZB			F-19-40	10
43	WINDSCREEN SET	67110-MKN-D10	ZA			F-43	8

Fuel hose, general purpose hoses and vinyl hose

- The standard part fuel hose, general purpose hose and vinyl hose may be substituted by the coiled bulk part.
- When ordering the standard part fuel hose, general purpose hose and vinyl hose use the bulk part number written in the parts catalogue in brackets () underneath the part name, or use the catalogue below.
(The bulk part standard length is 1 m, however, those displayed in the catalogue < > are available in 3 m and 8 m lengths.)
- When exchanging the hose, cut and use at the specified length as mentioned in the part name.
(For the method of cutting the bulk part, and method of filling out orders etc., please refer to the service manual and the instructions issued with the bulk part.)
- The list below is a catalogue of the standard part numbers and bulk part numbers. Note that those numbers are applicable to the listed replacement parts only.

Fuel hoses/Tubes			
Standard part No.	Bulk part No.	Bulk part	
		Inner diameter (mm)	Length (m)
95001-30xxx-2x	95001-30001-20M	3.0	1
95001-30xxx-3x	95001-30001-30M	3.0	1
95001-30xxx-4x	95001-30001-40M	3.0	1
95001-35xxx-2x	95001-35001-50M <95001-35003-50M>	3.5	1 3
95001-35xxx-3x	95001-35001-60M <95001-35003-60M>	3.5	1 3
95001-35xxx-4x	95001-35001-60M <95001-35003-60M>	3.5	1 3
95001-35xxx-5x	95001-35001-50M <95001-35003-50M>	3.5	1 3
95001-35xxx-6x	95001-35001-60M <95001-35003-60M>	3.5	1 3
95001-45xxx-2x	95001-45001-50M <95001-45003-50M>	4.5	1 3
95001-45xxx-3x	95001-45001-60M <95001-45003-60M> <95001-45008-60M>	4.5	1 3 8
95001-45xxx-4x	95001-45001-60M <95001-45003-60M> <95001-45008-60M>	4.5	1 3 8
95001-45xxx-5x	95001-45001-50M <95001-45003-50M>	4.5	1 3
95001-45xxx-6x	95001-45001-60M <95001-45003-60M> <95001-45008-60M>	4.5	1 3 8
95001-55xxx-2x	95001-55001-50M <95001-55003-50M> <95001-55008-50M>	5.5	1 3 8

Fuel hoses/Tubes			
Standard part No.	Bulk part No.	Bulk part	
		Inner diameter (mm)	Length (m)
95001-55xxx-3x	95001-55001-60M <95001-55003-60M> <95001-55008-60M>	5.5	1 3 8
95001-55xxx-4x	95001-55001-60M <95001-55003-60M> <95001-55008-60M>	5.5	1 3 8
95001-55xxx-5x	95001-55001-50M <95001-55003-50M> <95001-55008-50M>	5.5	1 3 8
95001-55xxx-6x	95001-55001-60M <95001-55003-60M> <95001-55008-60M>	5.5	1 3 8
95001-75xxx-2x	95001-75001-50M <95001-75003-50M>	7.5	1 3
95001-75xxx-3x	95001-75001-60M <95001-75003-60M> <95001-75008-60M>	7.5	1 3 8
95001-75xxx-4x	95001-75001-60M <95001-75003-60M> <95001-75008-60M>	7.5	1 3 8
95001-75xxx-5x	95001-75001-50M <95001-75003-50M>	7.5	1 3
95001-75xxx-6x	95001-75001-60M <95001-75003-60M> <95001-75008-60M>	7.5	1 3 8
95001-80xxx-2x	95001-80001-50M	8.0	1
95001-80xxx-3x	95001-80001-60M	8.0	1
95001-80xxx-4x	95001-80001-60M	8.0	1
95001-80xxx-5x	95001-80001-50M	8.0	1
95001-80xxx-6x	95001-80001-60M	8.0	1



Vinyl tube				
Standard part No.	Bulk part No.	Bulk part		
		Inner dia- meter (mm)	Outer dia-meter (mm)	Length (m)
95003-01xxx-3x	95003-01001-60M <95003-01003-60M>	2.9	6.8	1 3
95003-01xxx-60	95003-01001-60M <95003-01003-60M>	2.9	6.8	1 3
95003-03xxx-3x	95003-03001-60M <95003-03003-60M>	3.0	6.0	1 3
95003-03xxx-60	95003-03001-60M <95003-03003-60M>	3.0	6.0	1 3
95003-05xxx-3x	95003-05001-60M <95003-05003-60M> <95003-05008-60M>	3.5	6.5	1 3 8
95003-05xxx-60	95003-05001-60M <95003-05003-60M> <95003-05008-60M>	3.5	6.5	1 3 8
95003-07xxx-1x	95003-07001-10M <95003-07003-10M> <95003-07008-10M>	4.0	7.0	1 3 8
95003-07xxx-20	95003-07001-10M <95003-07003-10M> <95003-07008-10M>	4.0	7.0	1 3 8
95003-07xxx-3x	95003-07001-60M <95003-07003-60M> <95003-07008-60M>	4.0	7.0	1 3 8
95003-07xxx-60	95003-07001-60M <95003-07003-60M> <95003-07008-60M>	4.0	7.0	1 3 8
95003-07xxx-7x	95003-07001-70M <95003-07003-70M> <95003-07008-70M>	4.0	7.0	1 3 8
95003-08xxx-1x	95003-08001-10M <95003-08003-10M> <95003-08008-10M>	4.5	6.5	1 3 8
95003-09xxx-3x	95003-09001-60M <95003-09003-60M>	4.5	8.0	1 3
95003-09xxx-60	95003-09001-60M <95003-09003-60M>	4.5	8.0	1 3
95003-10xxx-1x	95003-10001-10M <95003-10003-10M>	5.0	8.0	1 3
95003-10xxx-20	95003-10001-10M <95003-10003-10M>	5.0	8.0	1 3
95003-10xxx-3x	95003-10001-60M <95003-10003-60M>	5.0	8.0	1 3
95003-10xxx-60	95003-10001-60M <95003-10003-60M>	5.0	8.0	1 3
95003-11xxx-3x	95003-11001-60M <95003-11003-60M> <95003-11008-60M>	5.0	9.0	1 3 8
95003-11xxx-60	95003-11001-60M <95003-11003-60M> <95003-11008-60M>	5.0	9.0	1 3 8
95003-12xxx-1x	95003-12001-10M <95003-12003-10M> <95003-12008-10M>	5.0	7.0	1 3 8
95003-12xxx-20	95003-12001-10M <95003-12003-10M> <95003-12008-10M>	5.0	7.0	1 3 8

Vinyl tube				
Standard part No.	Bulk part No.	Bulk part		
		Inner dia- meter (mm)	Outer dia-meter (mm)	Length (m)
95003-14xxx-1x	95003-14001-10M <95003-14003-10M>	6.0	9.0	1 3
95003-14xxx-20	95003-14001-10M <95003-14003-10M>	6.0	9.0	1 3
95003-14xxx-3x	95003-14001-60M <95003-14003-60M>	6.0	9.0	1 3
95003-17xxx-1x	95003-17001-10M <95003-17003-10M>	7.0	9.0	1 3
95003-19xxx-1x	95003-19001-10M <95003-19003-10M> <95003-19008-10M>	7.0	11.0	1 3 8
95003-19xxx-20	95003-19001-10M <95003-19003-10M> <95003-19008-10M>	7.0	11.0	1 3 8
95003-19xxx-3x	95003-19001-60M <95003-19003-60M> <95003-19008-60M>	7.0	11.0	1 3 8
95003-19xxx-60	95003-19001-60M <95003-19003-60M> <95003-19008-60M>	7.0	11.0	1 3 8
95003-21xxx-1x	95003-21001-10M <95003-21003-10M>	8.0	9.0	1 3
95003-21xxx-20	95003-21001-10M <95003-21003-10M>	8.0	9.0	1 3
95003-23xxx-1x	95003-23001-10M <95003-23003-10M>	8.0	12.0	1 3
95003-23xxx-20	95003-23001-10M <95003-23003-10M>	8.0	12.0	1 3
95003-23xxx-3x	95003-23001-60M <95003-23003-60M> <95003-23008-60M>	8.0	12.0	1 3 8
95003-23xxx-60	95003-23001-60M <95003-23003-60M> <95003-23008-60M>	8.0	12.0	1 3 8
95003-25xxx-1x	95003-25001-10M <95003-25003-10M>	9.0	11.0	1 3
95003-25xxx-20	95003-25001-10M <95003-25003-10M>	9.0	11.0	1 3
95003-25xxx-3x	95003-25001-60M <95003-25003-60M>	9.0	11.0	1 3
95003-25xxx-7x	95003-25001-70M <95003-25003-70M>	9.0	11.0	1 3
95003-27xxx-1x	95003-27001-10M <95003-27003-10M>	9.0	13.0	1 3
95003-27xxx-20	95003-27001-10M <95003-27003-10M>	9.0	13.0	1 3
95003-27xxx-3x	95003-27001-60M <95003-27003-60M>	9.0	13.0	1 3
95003-27xxx-60	95003-27001-60M <95003-27003-60M>	9.0	13.0	1 3
95003-33xxx-1x	95003-33001-10M <95003-33003-10M>	10.0	14.0	1 3
95003-33xxx-20	95003-33001-10M <95003-33003-10M>	10.0	14.0	1 3

Vinyl tube				
Standard part No.	Bulk part No.	Bulk part		
		Inner dia- meter (mm)	Outer dia-meter (mm)	Length (m)
95003-36xxx-1x	95003-36001-10M <95003-36003-10M> <95003-36008-10M>	11.0	13.0	1 3 8
95003-36xxx-20	95003-36001-10M <95003-36003-10M> <95003-36008-10M>	11.0	13.0	1 3 8
95003-37xxx-3x	95003-37001-60M <95003-37003-60M>	11.0	15.0	1 3
95003-37xxx-60	95003-37001-60M <95003-37003-60M>	11.0	15.0	1 3
95003-38xxx-1x	95003-38001-10M <95003-38003-10M>	12.0	13.0	1 3
95003-38xxx-20	95003-38001-10M <95003-38003-10M>	12.0	13.0	1 3
95003-39xxx-1x	95003-39001-10M <95003-39003-10M>	12.0	14.0	1 3
95003-39xxx-20	95003-39001-10M <95003-39003-10M>	12.0	14.0	1 3
95003-40xxx-20	95003-40001-10M <95003-40003-10M>	12.0	16.0	1 3
95003-40xxx-3x	95003-40001-60M <95003-40003-60M>	12.0	16.0	1 3
95003-40xxx-60	95003-40001-60M <95003-40003-60M>	12.0	16.0	1 3
95003-43xxx-1x	95003-43001-10M <95003-43003-10M> <95003-43008-10M>	13.0	15.0	1 3 8
95003-43xxx-20	95003-43001-10M <95003-43003-10M> <95003-43008-10M>	13.0	15.0	1 3 8
95003-45xxx-1x	95003-45001-10M <95003-45003-10M> <95003-45008-10M>	14.0	18.0	1 3 8
95003-45xxx-20	95003-45001-10M <95003-45003-10M> <95003-45008-10M>	14.0	18.0	1 3 8
95003-50xxx-1x	95003-50001-10M <95003-50003-10M>	16.0	19.0	1 3
95003-50xxx-20	95003-50001-10M <95003-50003-10M>	16.0	19.0	1 3
95003-50xxx-3x	95003-50001-60M <95003-50003-60M>	16.0	19.0	1 3
95003-55xxx-1x	95003-55001-10M <95003-55003-10M>	17.5	20.5	1 3
95003-55xxx-20	95003-55001-10M <95003-55003-10M>	17.5	20.5	1 3
95003-60xxx-1x	95003-60001-10M <95003-60003-10M>	22.0	27.0	1 3
95003-60xxx-20	95003-60001-10M <95003-60003-10M>	22.0	27.0	1 3
95003-60xxx-3x	95003-60001-60M <95003-60003-60M>	22.0	27.0	1 3
95003-60xxx-60	95003-60001-60M <95003-60003-60M>	22.0	27.0	1 3

General purpose hoses			
Standard part No.	Bulk part No.	Bulk part	
		Inner diameter (mm)	Length (m)
95005-11xxx-3x	95005-11001-30M	11.0	1
95005-11xxx-5x	95005-11001-50M	11.0	1
95005-12xxx-1x	95005-12001-10M <95005-12003-10M>	12.0	1 3
95005-12xxx-2x	95005-12001-20M	12.0	1
95005-12xxx-3x	95005-12001-30M	12.0	1
95005-12xxx-5x	95005-12001-50M	12.0	1
95005-14xxx-1x	95005-14001-10M	14.0	1
95005-14xxx-2x	95005-14001-20M <95005-14003-20M>	14.0	1 3
95005-14xxx-3x	95005-14001-30M	14.0	1
95005-14xxx-5x	95005-14001-50M	14.0	1
95005-17xxx-1x	95005-17001-10M	17.0	1
95005-17xxx-2x	95005-17001-20M	17.0	1
95005-17xxx-3x	95005-17001-30M	17.0	1
95005-17xxx-5x	95005-17001-50M	17.0	1
95005-30xxx-3x	95005-30001-30M	3.0	1
95005-30xxx-5x	95005-30001-50M	3.0	1
95005-35xxx-1x	95005-35001-10M <95005-35003-10M> <95005-35008-10M>	3.5	1 3 8
95005-35xxx-2x	95005-35001-20M	3.5	1
95005-35xxx-3x	95005-35001-30M	3.5	1
95005-35xxx-4x	95005-35001-10M <95005-35003-10M> <95005-35008-10M>	3.5	1 3 8
95005-35xxx-5x	95005-35001-50M	3.5	1
95005-45xxx-1x	95005-45001-10M <95005-45003-10M> <95005-45008-10M>	4.5	1 3 8
95005-45xxx-2x	95005-45001-20M	4.5	1
95005-45xxx-3x	95005-45001-30M	4.5	1

General purpose hoses			
Standard part No.	Bulk part No.	Bulk part	
		Inner diameter (mm)	Length (m)
95005-45xxx-4x	95005-45001-10M <95005-45003-10M> <95005-45008-10M>	4.5	1 3 8
95005-45xxx-5x	95005-45001-50M	4.5	1
95005-50xxx-3x	95005-50001-30M <95005-50003-30M>	5.0	1 3
95005-50xxx-5x	95005-50001-50M	5.0	1
95005-55xxx-1x	95005-55001-10M <95005-55003-10M> <95005-55008-10M>	5.3	1 3 8
95005-55xxx-2x	95005-55001-20M <95005-55003-20M>	5.3	1 3
95005-55xxx-4x	95005-55001-10M <95005-55003-10M> <95005-55008-10M>	5.3	1 3 8
95005-65xxx-1x	95005-65001-10M <95005-65003-10M>	6.5	1 3
95005-65xxx-2x	95005-65001-20M	6.5	1
95005-70xxx-3x	95005-70001-30M <95005-70003-30M>	7.0	1 3
95005-70xxx-5x	95005-70001-50M	7.0	1
95005-75xxx-1x	95005-75001-10M <95005-75003-10M>	7.3	1 3
95005-75xxx-2x	95005-75001-20M	7.3	1
95005-80xxx-1x	95005-80001-10M <95005-80003-10M>	8.0	1 3
95005-80xxx-2x	95005-80001-20M	8.0	1
95005-80xxx-3x	95005-80001-30M	8.0	1
95005-80xxx-5x	95005-80001-50M	8.0	1
95005-91xxx-3x	95005-91001-30M	12.0	1
95005-91xxx-5x	95005-91001-50M	12.0	1
95005-92xxx-3x	95005-92001-30M	12.0	1
95005-92xxx-5x	95005-92001-50M	12.0	1

NOTE: X is displayed to represent the omitted numerals and letters of the roman alphabet.

⊙ **CAUTION: It is DANGEROUS to confuse the fuel hose with the general purpose hose or vinyl hose.**

Never use a general purpose hose or vinyl hose in place of a fuel hose or vice versa. Always use the correct bulk part in the parts catalogue, according to the service manual or the instructions issued with the bulk part.



• Bulk part number of fuel hose, general purpose hose and vinyl hose.

(Example)

9 5 0 0 1 - 7 5 0 0 1 - 5 0 M

Bulk part number: Refers to the bulk part.

Marking code (hose type): (fuel hose and general purpose hose)

Change code (for added hose): (Vinyl hose)

• Indicates number mark or change sequence, however, the code for the bulk part must be strictly 0 (zero).

Types of code:

- Fuel hose
 - 2: Red outside braid (3 mm inside dia. only)
 - 5: Black inside braid
 - 3: Red (3 mm inside dia. only)
 - 4: Ash gray with red stripe (3 mm inside dia. only)
 - 6: Black

- Vinyl hose
 - 1: Clear
 - 2: Black
 - 3: Light red
 - 6: Light red
 - 7: Pale black

- General hose
 - 1: Ash gray
 - 2: Ash gray
 - 3: Black
 - 5: Black

Lengths: 001: 1 m (standard)
003: 3 m
008: 8 m

I.D code: (fuel hose and general purpose hose)

- 30: 3.0 mm
- 35: 3.5 mm
- 45: 4.5 mm
- 50: 5.0 mm
- 55: 5.3 mm, 5.5 mm
- 65: 6.5 mm
- 70: 7.0 mm
- 75: 7.3 mm, 7.5 mm
- 80: 8.0 mm
- 11: 11 mm
- 91: 12 mm (outside dia. 15) mm
- 92: 12 mm (outside dia. 16) mm
- 12: 12 mm (outside dia. 17) mm
- 14: 14 mm
- 17: 17 mm

ID./OD. code: (vinyl hose)

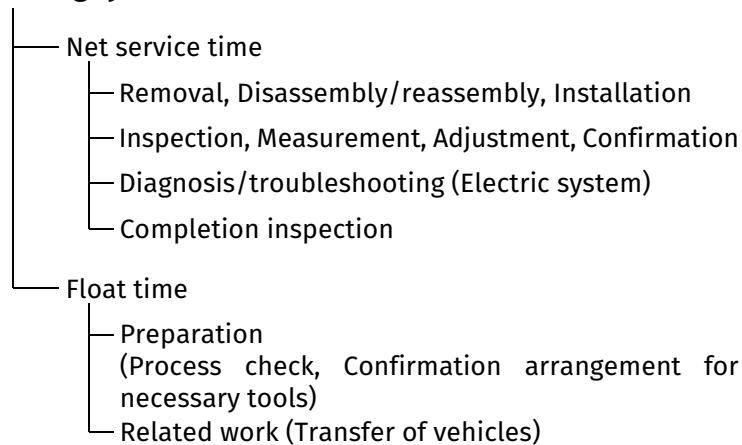
- | | | |
|-------------------------|---------------------------|---------------------------|
| 01: ID. 2.9, OD. 6.8 mm | 14: ID. 6.0, OD. 9.0 mm | 37: ID. 11.0, OD. 15.0 mm |
| 03: ID. 3.0, OD. 6.0 mm | 17: ID. 7.0, OD. 9.0 mm | 38: ID. 12.0, OD. 13.0 mm |
| 05: ID. 3.5, OD. 6.5 mm | 19: ID. 7.0, OD. 11.0 mm | 39: ID. 12.0, OD. 14.0 mm |
| 07: ID. 4.0, OD. 7.0 mm | 21: ID. 8.0, OD. 9.0 mm | 40: ID. 12.0, OD. 16.0 mm |
| 08: ID. 4.5, OD. 6.5 mm | 23: ID. 8.0, OD. 12.0 mm | 43: ID. 13.0, OD. 15.0 mm |
| 09: ID. 4.5, OD. 8.0 mm | 25: ID. 9.0, OD. 11.0 mm | 45: ID. 14.0, OD. 18.0 mm |
| 12: ID. 5.0, OD. 7.0 mm | 27: ID. 9.0, OD. 13.0 mm | 50: ID. 16.0, OD. 19.0 mm |
| 10: ID. 5.0, OD. 8.0 mm | 33: ID. 10.0, OD. 14.0 mm | 55: ID. 17.5, OD. 20.5 mm |
| 11: ID. 5.0, OD. 9.0 mm | 36: ID. 11.0, OD. 13.0 mm | 60: ID. 22.0, OD. 27.0 mm |

Hose type: 1: Fuel hose
3: Vinyl hose
5: General hose

FLAT RATE SERVICE TIME

Flat rate service time (FRT) means the standard time required to service a MC, which is listed in this manual to help the dealers control the actual working process and calculate the service charge by using it as a guide.

FRT setting system



* Float time is set by multiplying the net service time by a given coefficient.

Editorial style

The service items shown in the text are listed with the exchange work time for the repair sales parts as the subject. Other representative service items not using repair parts (removal/installation, adjustment, inspection/measuring, and other work) are listed collectively in the list in the preface, classified according to the work.

FRT setting standard

- Decimal system (in unit of 0.1) is adopted to set FRT as it is convenient to calculate the wage.
Example: (0.1)→6 minutes, (0.2)→12 minutes
[Labor cost per hour] x [FRT] = [Wage]
- FRT is set with a hand tool.
- Service items and FRT can be subject to change depending on development of tools and service equipment and improvement in service procedure.

Work procedure

- As the work procedure is set with the work time according to the method in the separate Service Manual, refer to this Manual as required.
- Work methods permitting servicing in the shortest time still permitting assurance of safe work and product warranty are used for the setting of service items not listed in the Service Manual.
- Work basically is to be performed by one person, and when two or more people are required, setting is done as the total time for the number of people.
- The set value for the technological level of the workers uses a person with three years of experience in the repair of Honda vehicles as the standard.
- Special tools and service equipment used to set FRT are those specified or recommended in Service Manual.

Service item whose FRT is not presented

- Accessories and service parts that are not listed to use in this manual.
 - Locations with little aging deterioration or breakage during normal use.
 - Service work that can be finished by one touch.
 - Service work that is seldom done (i.e. extremely small causes of trouble and service frequency).
- * When FRT is not presented, please calculate wages based on appropriate actual work time

Operation not included of FRT

- Oil and coolant water draining, Waiting time for warming up operation and etc..
- Additional operation that involves removal/installation of standard exterior equipment.
- Indirect time spent for service by visiting the customer, trade-in, and delivery of a MC.
- Indirect time required for ordering and delivery of parts.
- Cost for grease, adhesive agent, etc. used for service work.

**Explanation of FRT by using an example
(The example may differ from the actual presented items)**

Ref. No.	L.O.N.	(Relative ref. Number) Description	F.R.T.
① ②	111118	(1, 3, 4, 7) CAMSHAFT 4.5	②
③	111118A	⑥ • Includes: Valve clearance adjustment Replace rocker arm add1.0	⑤

- ① Reference No. of the illustration of part that shows location of the replacement work.
- ② FRT is an abbreviation of Flat Rate Time indicating the standard service time required for the replacement.
- ③ LON is an abbreviation of Labor Operation Number, and it is a classification of the service items by the work unit code.

The same operation code is used regardless of the models.

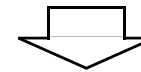
Standard operation is indicated with 6 digits code, and additional operation is indicated with 7 digits code.
- ④ Indicating the camshaft replacement and FRT4.5.
- ⑤ Indicating FRT1.0 that will be added when additional operation (replace rocker arm) is done in association with camshaft replacement.

- ⑥ Indicating work contents that are included in the service item.
- ⑦ Indicating a reference No. whose operation and time are the same as FRT4.5 for the camshaft.

(The application range is limited to the service items without an LON setting within a same block.)

**How to refer to the service item by using the sample
(camshaft replacement)**

Open to the page of the block where the camshaft's spare part illustration is shown.



Look for the camshaft illustration, and refer to the service item and FRT that agree with the reference No.

Indication mark for the listing of service items that continues to the following page

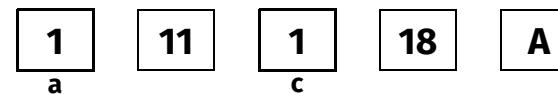
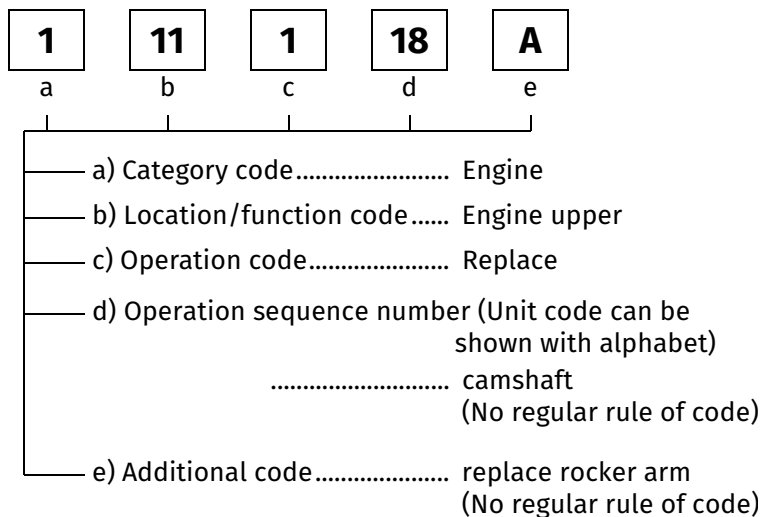
Ref. No.	L.O.N.	(Relative ref. Number) Description	F.R.T.
2	111118	CAMSHAFT	4.5
	.	.	.
	.	.	.

+
Mark indicated at the last line.

Indication of the block with no setting of FRT

Ref. No.	L.O.N.	(Relative ref. Number) Description	F.R.T.
NO INFORMATION			

• **LON code system**



a) Category codes and classification

Code	Category
1	Engine
2	Transmission
3	Fuel & Exhaust
4	Frame & Body
5	Steering/Suspension
6	Electrical
7	Wheels/Brakes
8	Controls/instrument
9	-
0	-

c) Operation codes and classification

Code	Operation category
1	Replace, Removal/Installation, Change
2	Overhaul
3	Adjust, Balance
4	(Paint-related work: Top-coat)
5	Test, Inspect/diagnose, Measurement, Check
6	(Overhaul-related work: Rebore)
7	(Overhaul-related work: Reseal)
8	(Resurface)
9	(Paint-related work: Refinish)
0	Repair, Cleaning, Air bleeding

Major service items without using spare parts
Removal/Installation, Adjustment, Inspection/Measurement, Other work

E: Engine, F: Frame

*** OPERATIONS OTHER THAN REPLACING PARTS**

• Removal/installation

Set for the configuration with the parts removed from the vehicle.

	LON	DESCRIPTION	FRT
E	1101E5	TILTING ENGINE ASSEMBLY- REMOVAL/INSTALLATION INCLUDES: All necessary adjustment	5.2
	3111D5	THROTTLE BODY ASSEMBLY- REMOVAL/INSTALLATION	1.5
	3111S3	THROTTLE BODY ASSEMBLY- REMOVAL/INSTALLATION(A) NOTE: With middle cowling	1.7
	1101E6	CRANKCASE SEPARATION INCLUDES: Engine removal and installation	7.8
F	1151E6	RADIATOR ASSEMBLY- REMOVAL/INSTALLATION	0.8
	1151P0	RADIATOR ASSEMBLY- REMOVAL/INSTALLATION(A) NOTE: With middle cowling	1.2

• Adjustment

	LON	DESCRIPTION	FRT
E	2123A0	CLUTCH-ADJUSTMENT INCLUDES: Clutch lever adjustment	0.1
	1113A0	VALVE CLEARANCE-ADJUSTMENT NOTE: For 1 vehicle	4.0
	1113A1	VALVE CLEARANCE-ADJUSTMENT(A) NOTE: For 1 vehicle NOTE: With middle cowling	4.2
F	6163A0	HEADLIGHT-AIMING	0.1
	2133A0	DRIVE CHAIN-ADJUSTMENT	0.1
	7103A1	FRONT WHEEL-BALANCE	0.6
	7103A2	REAR WHEEL-BALANCE	0.7
	3113A3	THROTTLE OPERATION-ADJUSTMENT	0.1

• Inspection/Measurement

	LON	DESCRIPTION	FRT
E	1115A0	COMPRESSION PRESSURE-MEASUREMENT	1.4
	1115A2	COMPRESSION PRESSURE- MEASUREMENT(A) NOTE: With middle cowling	1.6
	6145A0	IGNITION TIMING-INSPECTION	0.4
F	6105A0	BATTERY-CHARGE INCLUDES: In case of open type battery, checking electrolyte level and charge.	0.2



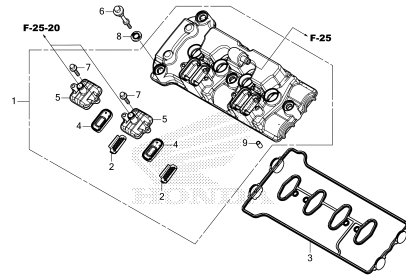
• Other work

	LON	DESCRIPTION	FRT
E	1130A2	OIL STRAINER-CLEANING	1.0
F	7110A0	FRONT BRAKE-AIR BLEEDING	0.2
	7110A1	REAR BRAKE-AIR BLEEDING	0.2
	1151E7	RADIATOR COOLANT-CHANGE	0.4
	1151N0	RADIATOR COOLANT-CHANGE(A) NOTE: With middle cowling	0.8
	6145A2	HISS MEMORIZATION	0.2
	6185A0	ECM/PCM UPDATE	0.3

ENGINE GROUP

E-1

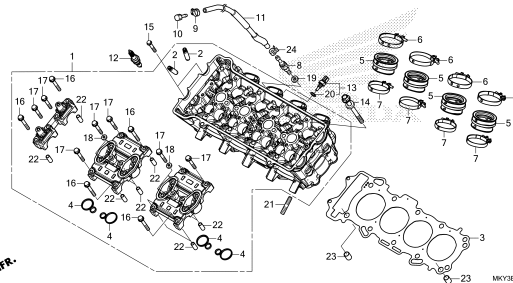
CYLINDER HEAD COVER



MKY3E0100

E-2

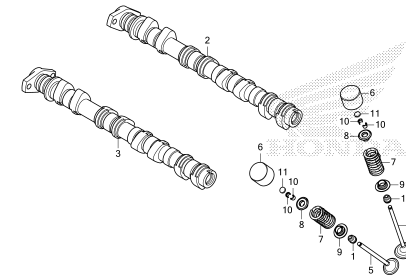
CYLINDER HEAD



MKY3E0200

E-3

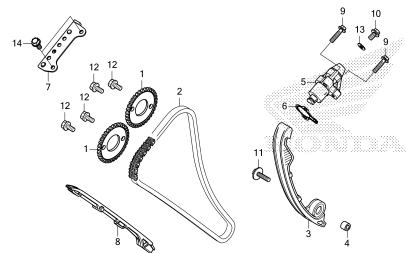
CAMSHAFT/VALVE



MKY3E0300

E-4

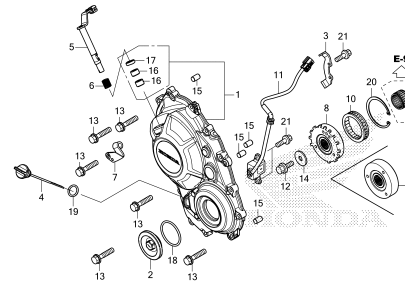
CAM CHAIN/TENSIONER



MKY3E0400

E-6

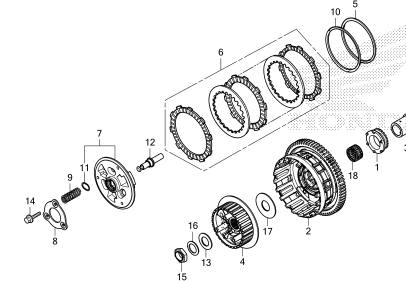
RIGHT CRANKCASE COVER



MKY3E0600

E-8

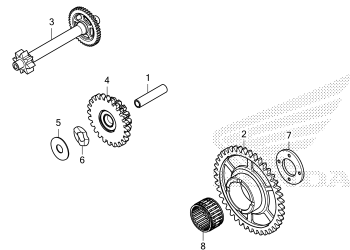
CLUTCH



MKY3E0800

E-9

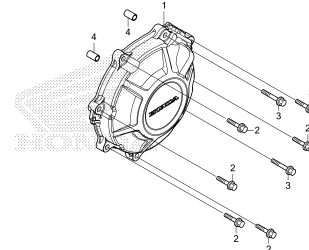
STARTING DRIVEN GEAR



MKY3E0900

E-10

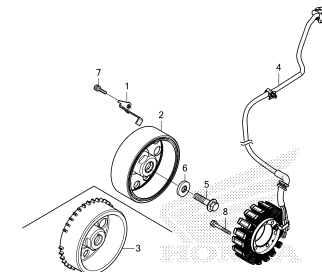
GENERATOR COVER



MKY3E1000

E-11

GENERATOR



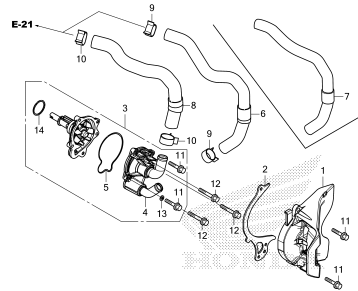
MKY3E1100

2

ENGINE GROUP

E-12

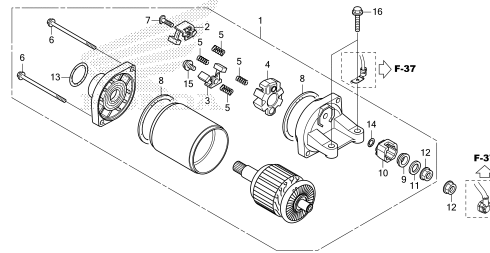
WATER PUMP



MKYSE1200

E-13

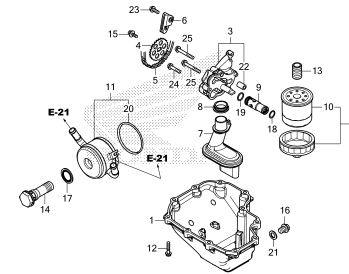
STARTING MOTOR



MKYSE1300

E-14

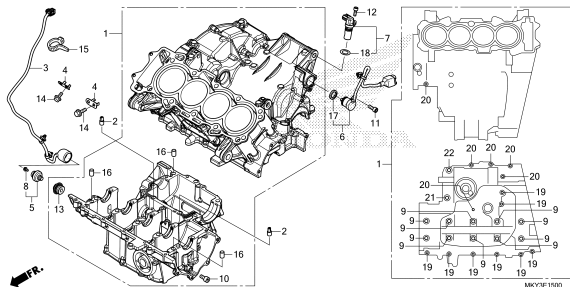
OIL PAN/OIL PUMP



MKYSE1800

E-15

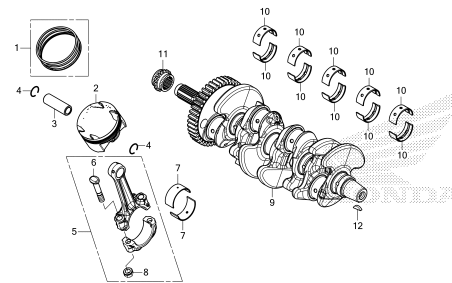
CRANKCASE



MKYSE1500

E-16

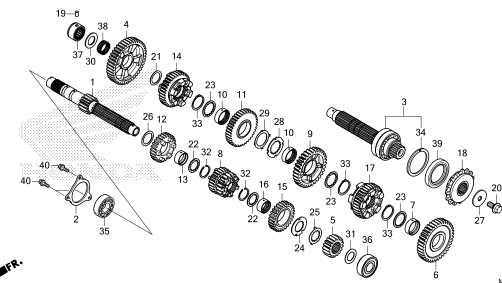
CRANKSHAFT/PISTON



MKYSE1600

E-17

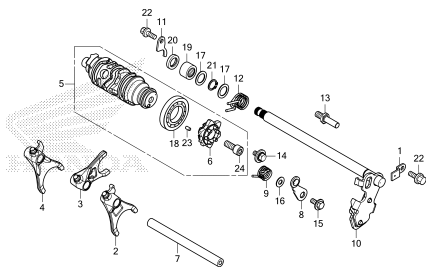
TRANSMISSION



MKYSE1700

E-19

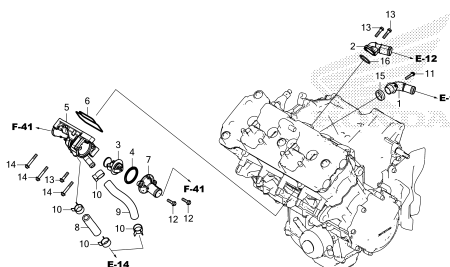
GEARSHIFT DRUM



MKYSE1900

E-21

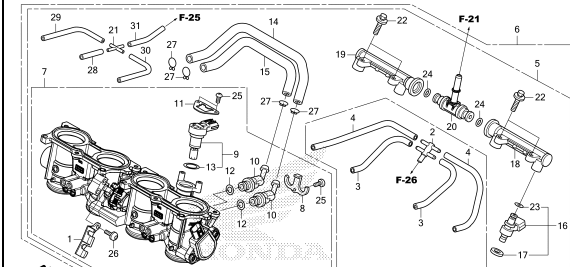
THERMOSTAT



MKYSE2100

E-23

THROTTLE BODY



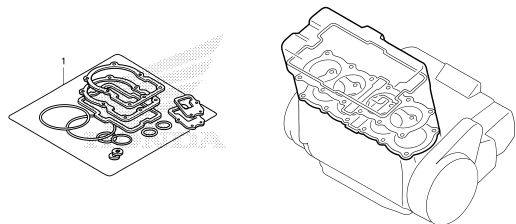
MKYSE2300

2

ENGINE GROUP

EOP-1

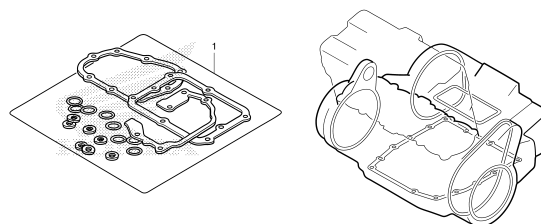
GASKET KIT A



MKY3X0100

EOP-2

GASKET KIT B



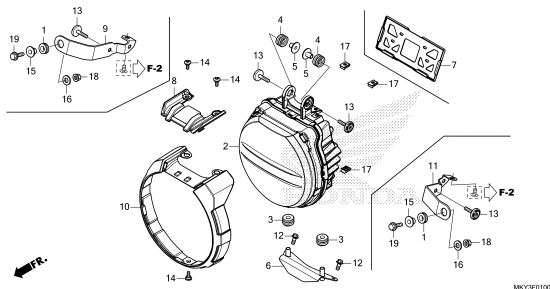
MKY3X0200

2

FRAME GROUP

F-1

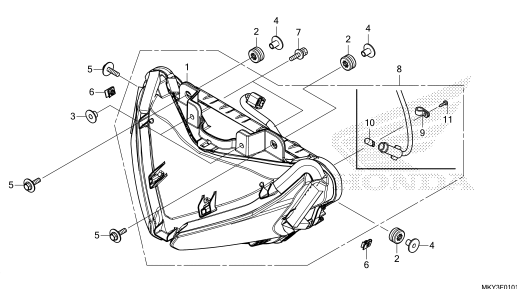
HEADLIGHT(CB650RA)



MKY9FD100

F-1-1

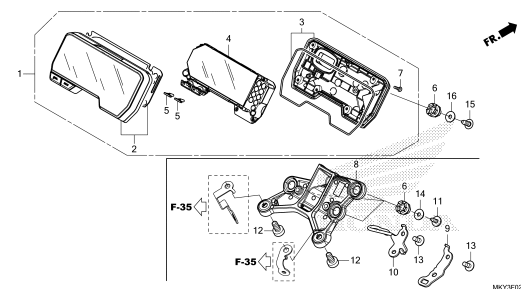
HEADLIGHT(CBR650RA)



MKY9FD101A

F-2

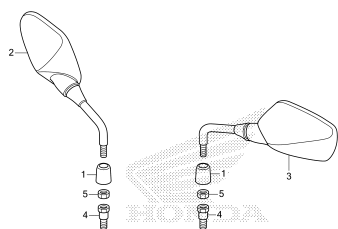
METER



MKY9FD200

F-3

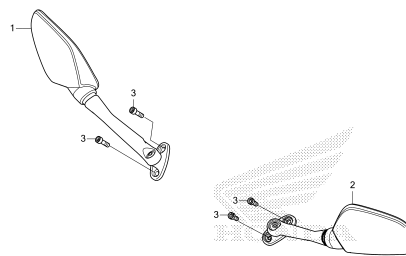
MIRROR(CB650RA)



MKY9FD300

F-3-1

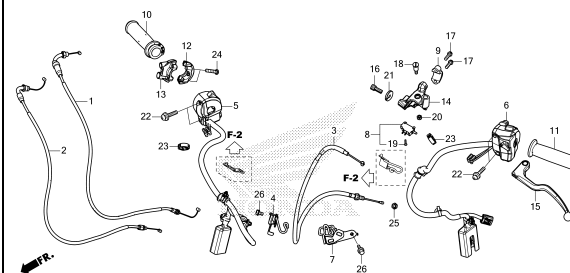
MIRROR(CBR650RA)



MKY9FD301

F-4

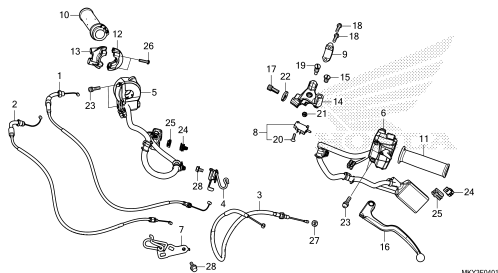
HANDLE LEVER/SWITCH/CABLE(CB650RA)



MKY9FD400

F-4-1

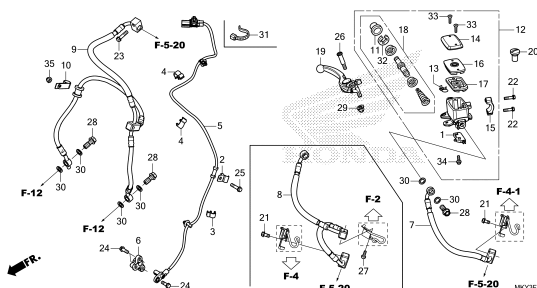
HANDLE LEVER/SWITCH/CABLE(CBR650RA)



MKY9FD401A

F-5-10

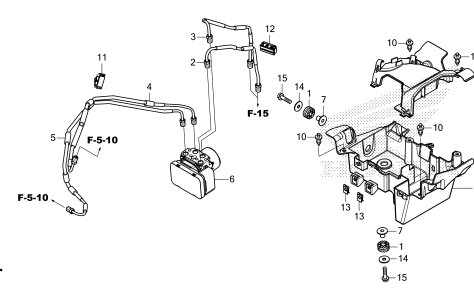
FRONT BRAKE MASTER CYLINDER



MKY9FD510

F-5-20

ABS MODULATOR

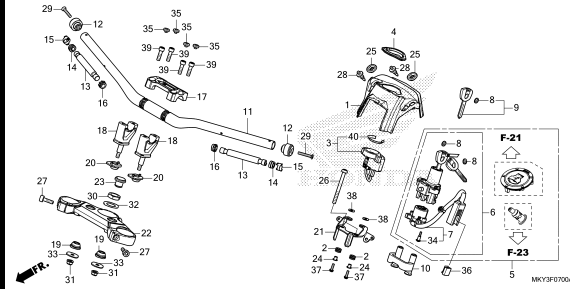


MKY9FD520

FRAME GROUP

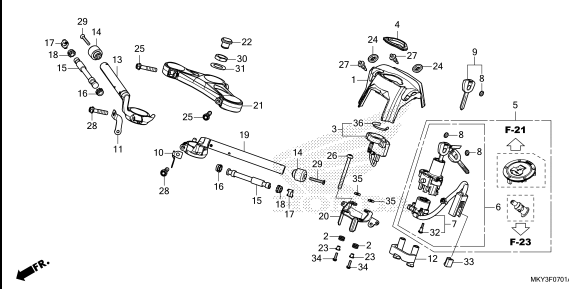
F-7

HANDLE PIPE/TOP BRIDGE(CB650RA)



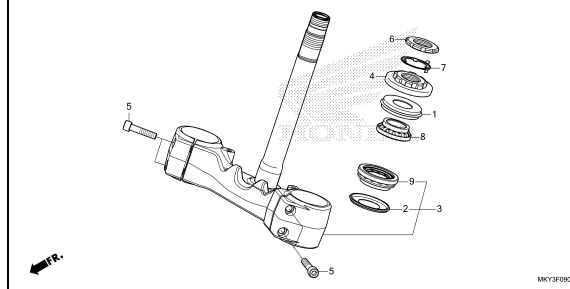
F-7-1

HANDLE PIPE/TOP BRIDGE(CBR650RA)



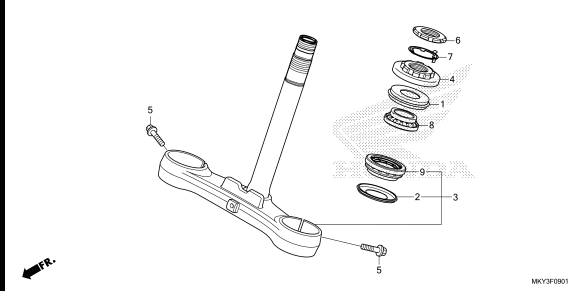
F-9

STEERING STEM(CB650RA)



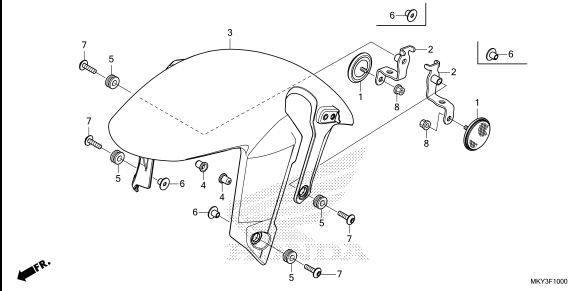
F-9-1

STEERING STEM(CBR650RA)



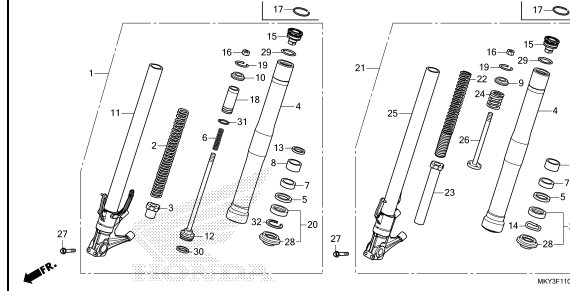
F-10

FRONT FENDER



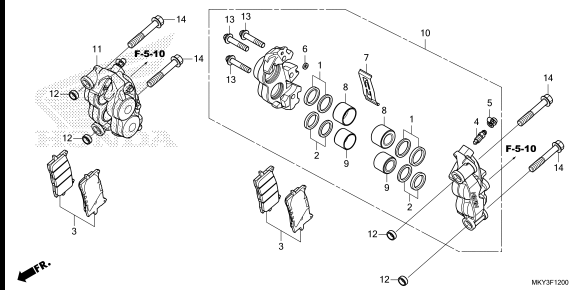
F-11

FRONT FORK



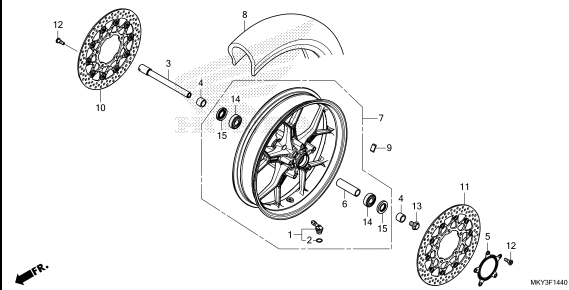
F-12

FRONT BRAKE CALIPER



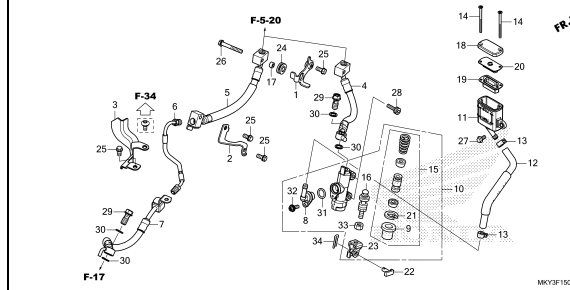
F-14-40

FRONT WHEEL



F-15

REAR BRAKE MASTER CYLINDER

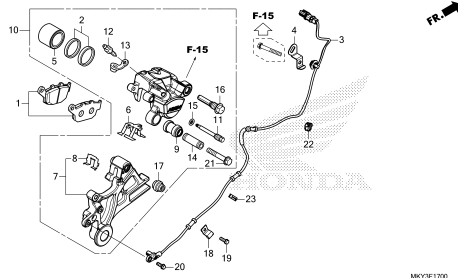


3

FRAME GROUP

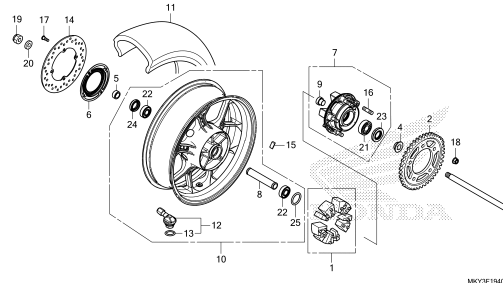
F-17

REAR BRAKE CALIPER



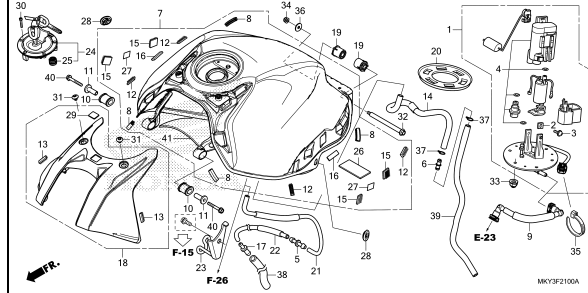
F-19-40

REAR WHEEL



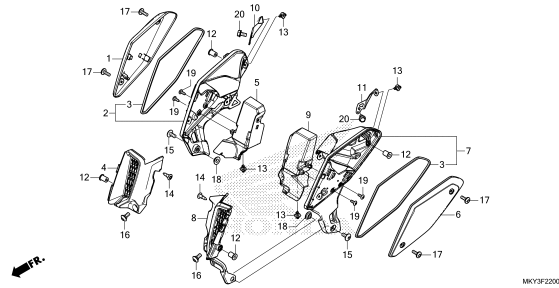
F-21

FUEL TANK



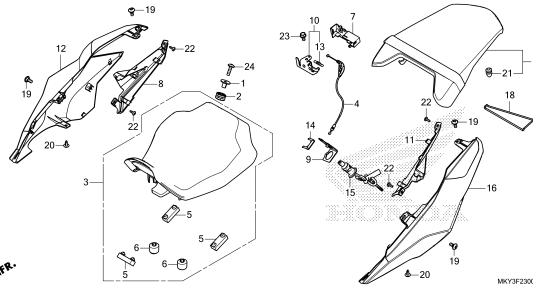
F-22

SHROUD



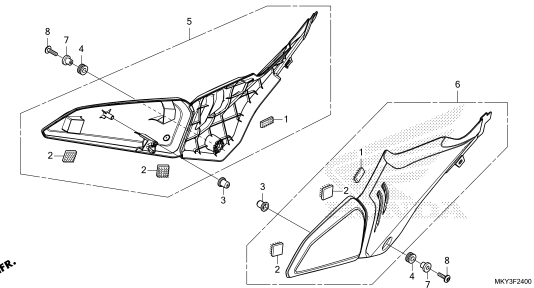
F-23

SEAT/REAR COWL



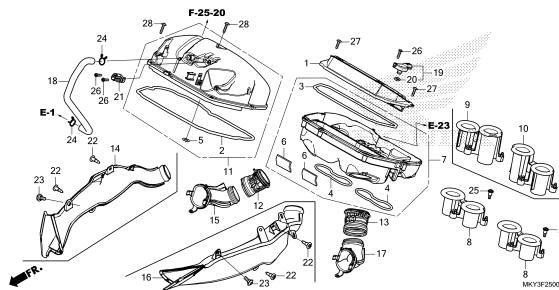
F-24

SIDE COVER



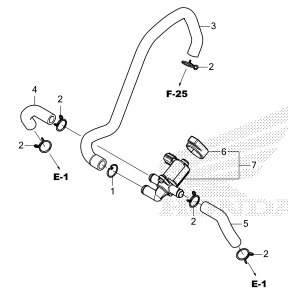
F-25

AIR CLEANER



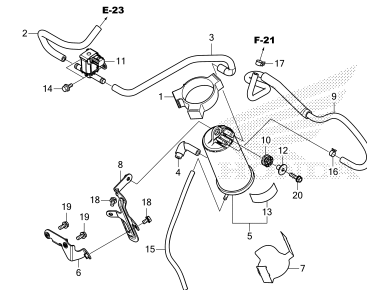
F-25-20

AIR INJECTION CONTROL VALVE



F-26

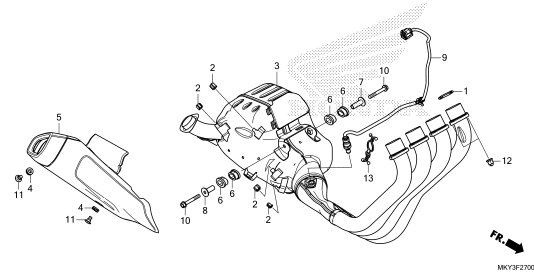
CANISTER



FRAME GROUP

F-27

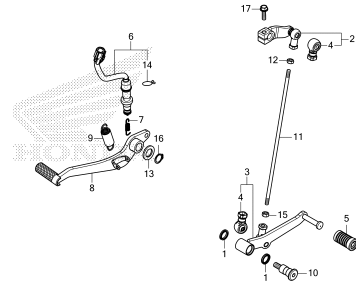
EXHAUST MUFFLER



MKY9F2700

F-29

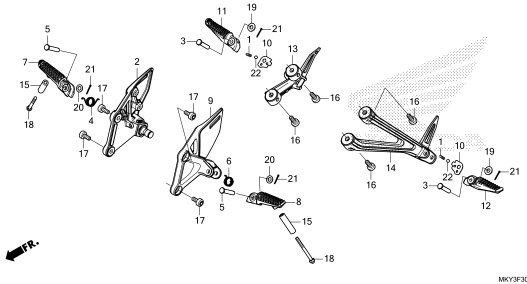
PEDAL



MKY9F2900

F-30

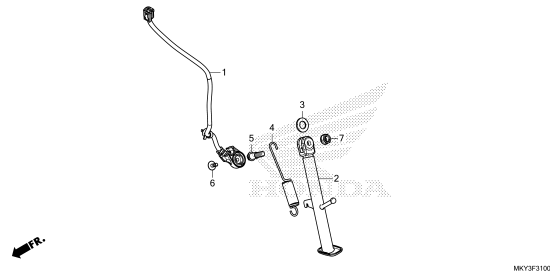
STEP



MKY9F3000

F-31

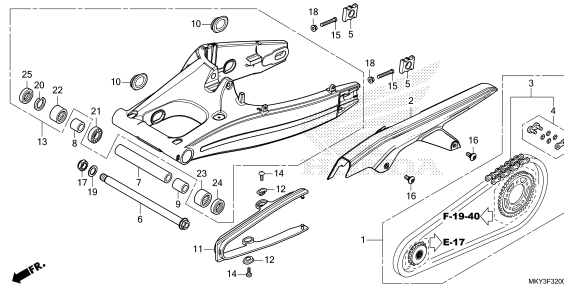
SIDE STAND



MKY9F3100

F-32

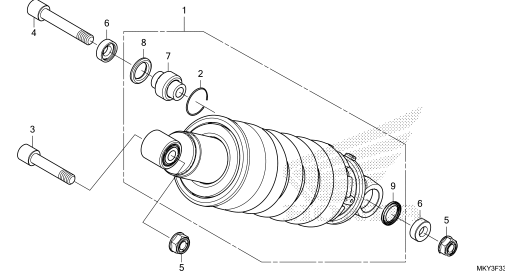
SWINGARM



MKY9F3200

F-33

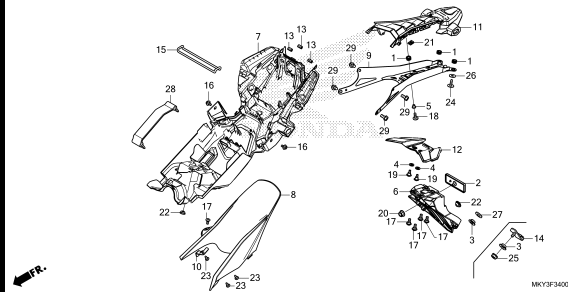
REAR CUSHION



MKY9F3300

F-34

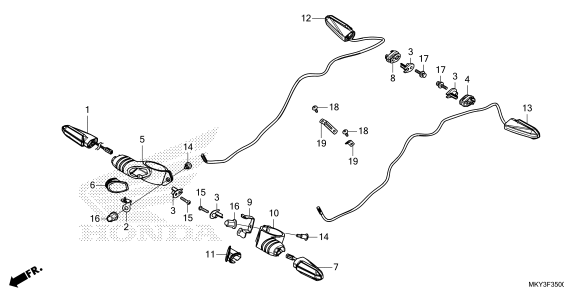
REAR FENDER



MKY9F3400

F-35

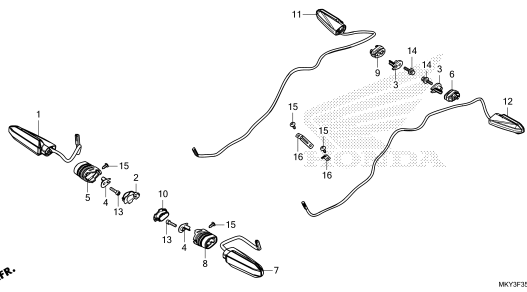
WINKER(CB650RA)



MKY9F3500

F-35-1

WINKER(CBR650RA)



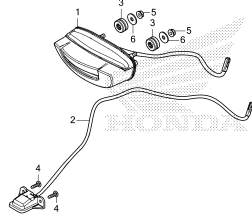
MKY9F3501

3

FRAME GROUP

F-36

TAILLIGHT/LICENSE LIGHT

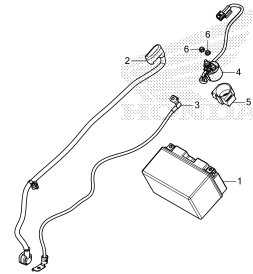


MKYF3600



F-37

BATTERY

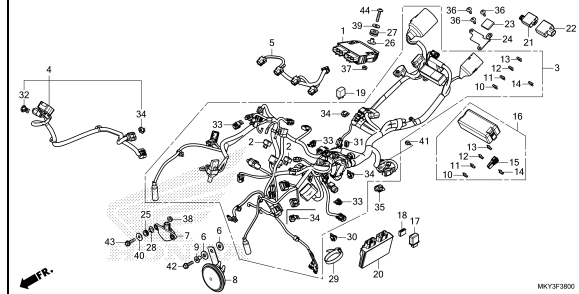


MKYF3700



F-38

WIRE HARNESS

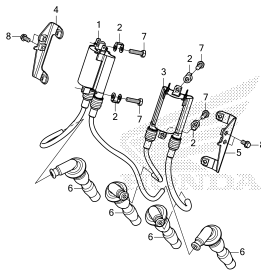


MKYF3800



F-38-20

IGNITION COIL

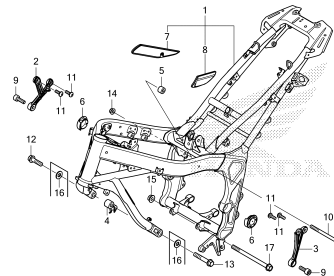


MKYF3820



F-39

FRAME BODY

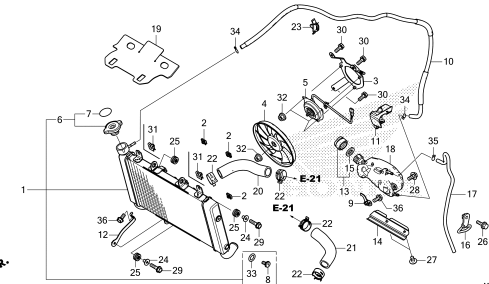


MKYF3900



F-41

RADIATOR

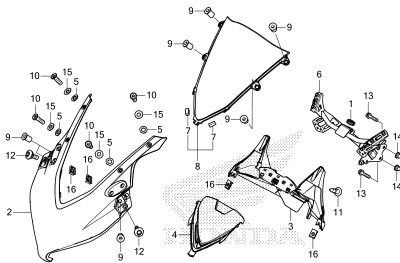


MKYF4100



F-43

UPPER COWL

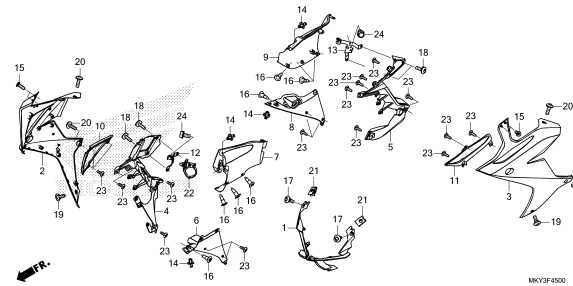


MKYF4300



F-45

MIDDLE COWL

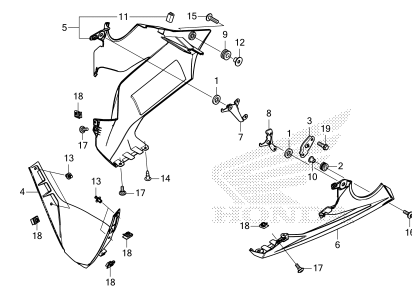


MKYF4500



F-46

UNDER COWL



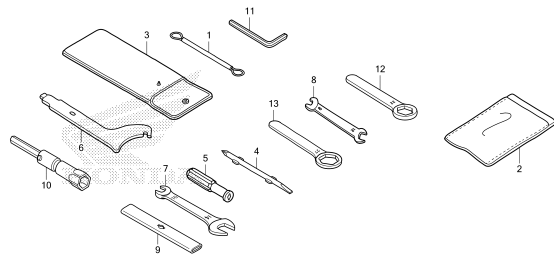
MKYF4600



FRAME GROUP

F-48

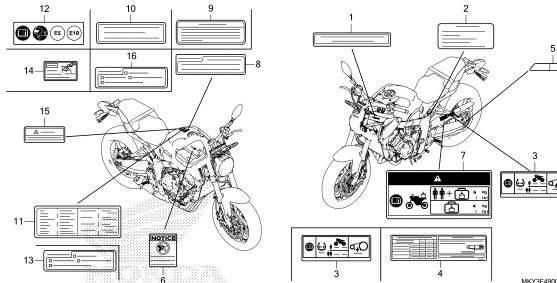
TOOL



MKY3F4800

F-49

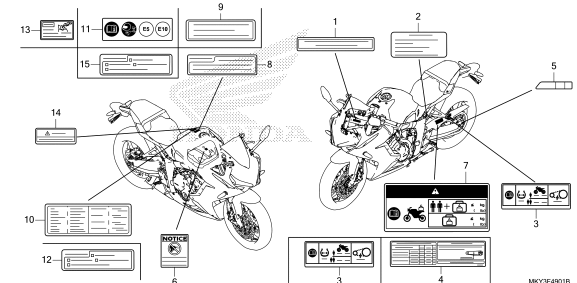
CAUTION LABEL(CB650RA)



MKY3F4900B

F-49-1

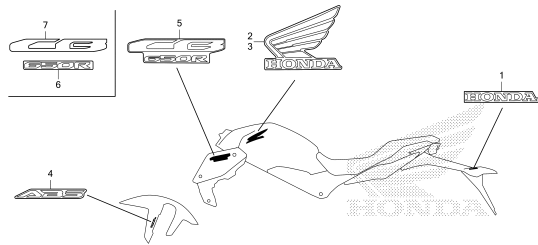
CAUTION LABEL(CBR650RA)



MKY3F4901B

F-50

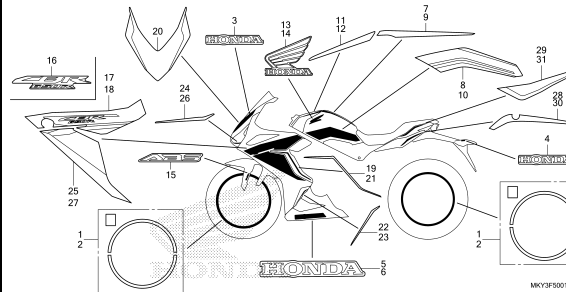
MARK(CB650RA)



MKY3F5000A

F-50-1

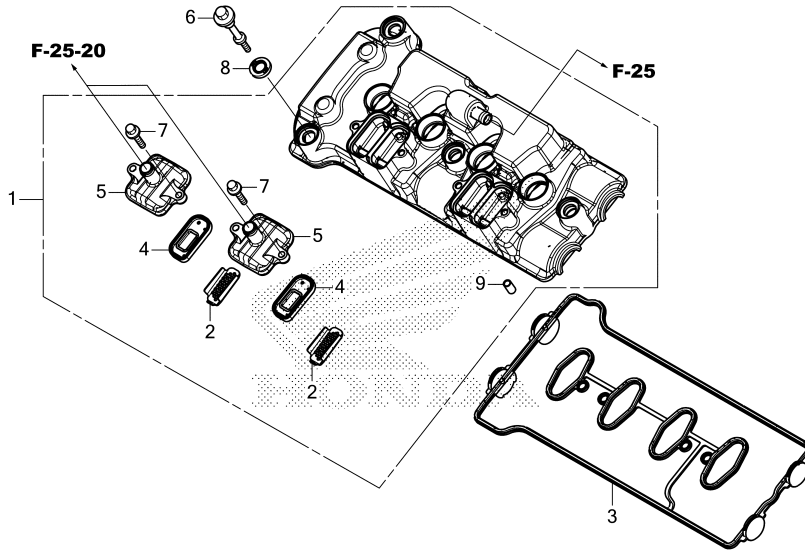
MARK(CBR650RA)



MKY3F5001

E-1

CYLINDER HEAD COVER



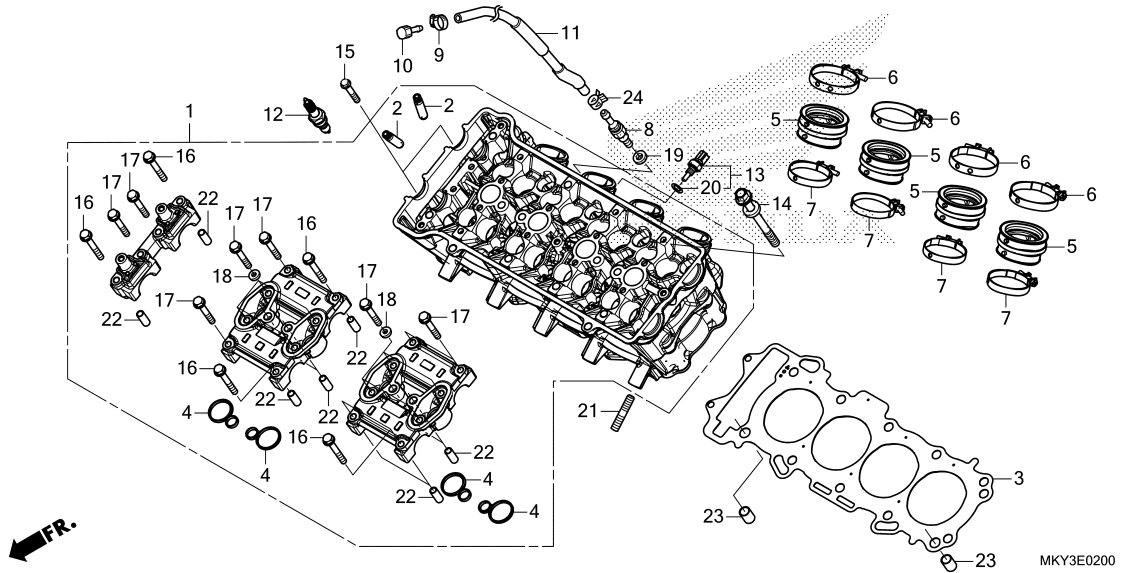
Ref. No.	L.O.N.	(Relative ref. Number) Description	F.R.T.
1	1111C4	COVER, CYLINDER HEAD	2.1
	1111AS	COVER, CYLINDER HEAD(A)	2.3
		.NOTE: With middle cowling	
3	1111D2	GASKET, CYLINDER HEAD COVER ..	2.1
	1111BV	GASKET, CYLINDER HEAD COVER(A)	2.3
		.NOTE: With middle cowling	
4		(2)	
	314125	VALVE, PAIR CHECK	1.3
		.NOTE: Same time for two units	
	3141D2	VALVE, PAIR CHECK(A)	1.5
		.NOTE: Same time for two units	
		.NOTE: With middle cowling	
	3141A8	VALVE, PAIR CHECK :FOR 1 VEHICLE	1.4
	3141B3	VALVE, PAIR CHECK(A) :FOR 1 VEHICLE	1.6
		.NOTE: With middle cowling	

Ref. No.	Part No.	Description	Reqd. QTY						Serial No.	Parts catalogue code	
			CB 650RA			CBR 650RA					
			M	N	P	M	N	P			
1	12310-MJE-DB0	COVER ASSY., CYLINDER HEAD ...	1	1	1	-	-	-	-----	-----	3ED,3FO,5ED,7ED,CH,ED,FO,IN,KO,MA,PH,RU,U,V
	12310-MJE-D00	-	-	1	-	-	-	-----	-----	2ED,2FO,2IN,2KO,2MA,2PH,2RU,2U,2V,4ED
	12310-MJE-DB0	-	-	-	1	1	-			
	12310-MJE-D00	-	-	-	-	-	1			
2	12341-MAT-750	PLATE, PORT(AI).....	4	4	4	4	4	4			
3	12391-MJE-D00	GASKET COMP., CYLINDER HEAD COVER	1	1	1	1	1	1			
4	18601-KEA-741	VALVE COMP., REED(ARAI).....	4	4	4	4	4	4			
5	18612-MJW-J00	COVER, REED VALVE	2	2	2	-	-	-	-----	-----	3ED,3FO,5ED,7ED,CH,ED,FO,IN,KO,MA,PH,RU,U,V
	18612-MGZ-J00	-	-	2	-	-	-	-----	-----	2ED,2FO,2IN,2KO,2MA,2PH,2RU,2U,2V,4ED
	18612-MJW-J00	-	-	-	2	2	-			
	18612-MGZ-J00	-	-	-	-	-	2			
6	90002-MY5-850	BOLT, HEAD COVER	4	4	4	4	4	4			
7	90004-GHB-650	BOLT, FLANGE, 6X20(NSHF).....	4	4	4	4	4	4			
8	90543-MV9-670	RUBBER, MOUNTING	4	4	4	4	4	4			
9	94301-08140	DOWEL PIN, 8X14	4	4	4	4	4	4			

2

E-2

CYLINDER HEAD



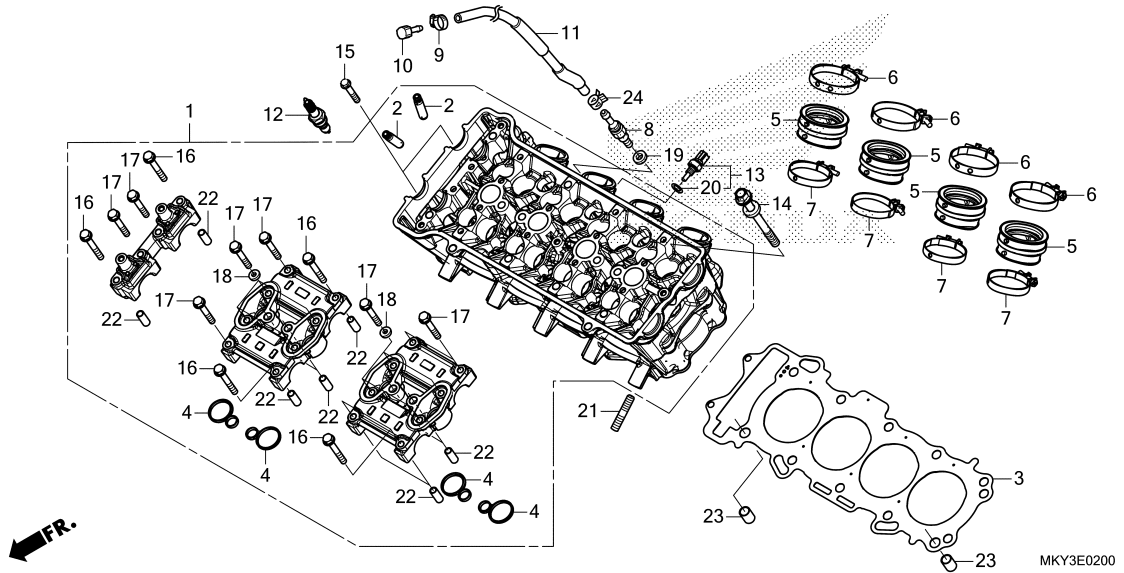
Ref. No.	L.O.N.	(Relative ref. Number) Description	F.R.T.
1	111106	HEAD, CYLINDERINCLUDES: Valve adjust and reface	8.7
	1111AV	HEAD, CYLINDER(A)INCLUDES: Valve adjust and reface	8.9
2	1111L9	GUIDE, INTAKE VALVE(ONE)NOTE: With middle cowling .INCLUDES: Reaming .INCLUDES: Valve adjust and reface	5.4
	1111L9A	.Replace all intake valve guide add	2.1
	1111AX	GUIDE, INTAKE VALVE(ONE) (A)INCLUDES: Reaming .INCLUDES: Valve adjust and reface	5.6
	1111AXA	.Replace all intake valve guide add	2.1
	1111M0	GUIDE, EXHAUST VALVE(ONE)INCLUDES: Reaming .INCLUDES: Valve adjust and reface	5.4

Ref. No.	Part No.	Description	Reqd. QTY						Serial No.	Parts catalogue code
			CB 650RA			CBR 650RA				
			M	N	P	M	N	P		
1	12010-MKY-D10	HEAD ASSY., CYLINDER.....	1	1	1	1	1	1		
2	12205-KYJ-305	GUIDE, EX. VALVE(O.S.) (IN./EX.)	16	16	16	16	16	16		
3	12251-MJE-D01	GASKET, CYLINDER HEAD	1	1	1	1	1	1		
4	12395-MBW-003	GASKET, PLUG HOLE	4	4	4	4	4	4		
5	16211-MKN-D10	INSULATOR, THROTTLE BODY	4	4	4	4	4	4		
6	16217-MJE-D00	BAND A, INSULATOR	4	4	4	4	4	4		
7	16218-MJE-D00	BAND B, INSULATOR	4	4	4	4	4	4		
8	19410-MJE-D00	JOINT COMP., BLEEDING	1	1	1	1	1	1		
9	19507-MAL-600	CLAMP, WATER HOSE	1	-	-	1	-	-	-----	2ED, 2FO, 2KO, 2MA, 2U, 3ED, 4ED, ED, FO, IN, KO, MA, U
	95002-41050-08	CLAMP, TUBE(D10.5)	1	-	-	-	-	-	-----	5ED, 7ED, CH
			-	1	1	-	1	1		
			-	-	-	1	-	-	-----	2CH, CH
10	19509-MKN-D10	PLUG, RADIATOR DRAIN	1	1	1	1	1	1		
11	19510-MKN-D10	HOSE, WATER BREATHER	1	1	1	1	1	1		
12	31912-MFL-003	PLUG, SPARK(IMR9E-9HES)(NGK)	4	4	4	4	4	4		
13	37870-KZR-601	SENSOR ASSY., WATER TEMPERATURE(PANASONIC)	1	1	1	1	1	1		
14	90007-MGZ-J00	BOLT-WASHER, 9X100	10	10	10	10	10	10		
15	90011-MGZ-J00	BOLT, FLANGE, 6X35	2	2	2	2	2	2	-----	2CH, 2ED, 2FO, 2GS, 2IN, 2KO, 2MA, 2PH, 2RU, 2U, 2V, 3ED, 3FO, 4ED
	90010-GHB-700	2	-	-	-	-	-	-----	4FO, CH, ED, FO, GS, IN, KO, MA, PH, RU, U, V
									-----	5ED, 7ED
16	90017-MA6-000	BOLT, FLANGE, 6X45.5	6	6	6	6	6	6		
17	90019-KYJ-900	BOLT, FLANGE, 6X39.5	14	14	14	14	14	14		
18	90463-ML7-000	WASHER, SEALING, 6.5MM	8	8	8	8	8	8		
19	90544-439-930	PACKING(SHOWA)	1	1	1	1	1	1		



E-2

CYLINDER HEAD



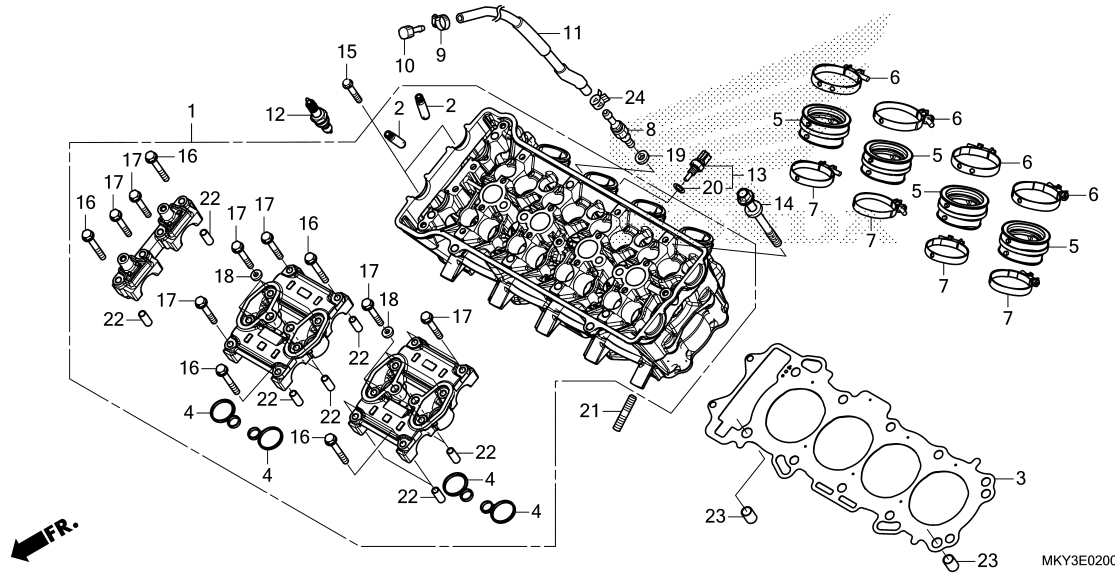
Ref. No.	L.O.N.	(Relative ref. Number) Description	F.R.T.
+ 2	1111M0A	.Replace all exhaust valve guide add	2.1
	1111AY	GUIDE, EXHAUST VALVE(ONE) (A) .INCLUDES: Reaming .INCLUDES: Valve adjust and reface	5.6
	1111AYA	.NOTE: With middle cowling .Replace all exhaust valve guide add	2.1
	1111M9	GUIDE, VALVE :FOR 1 VEHICLE .. .INCLUDES: Reaming .INCLUDES: Valve adjust and reface	9.9
	1111AZ	GUIDE, VALVE(A) :FOR 1 VEHICLE .INCLUDES: Reaming .INCLUDES: Valve adjust and reface .NOTE: With middle cowling	10.1
3	111115	GASKET, CYLINDER HEAD	4.5
	1111AW	GASKET, CYLINDER HEAD(A)	4.7
		.NOTE: With middle cowling	
5	311131	INSULATOR, THROTTLE BODY/ CARBURETOR	1.5
	3111J4	INSULATOR, THROTTLE BODY/ CARBURETOR(A)	1.7

Ref. No.	Part No.	Description	Reqd. QTY						Serial No.	Parts catalogue code
			CB 650RA			CBR 650RA				
			M	N	P	M	N	P		
20	91307-PLC-004	O-RING, 9.5X1.9(PANASONIC) ...	1	1	1	1	1	1		
21	92900-08022-3E	BOLT, STUD, 8X22	8	8	8	8	8	8		
22	94301-08200	DOWEL PIN, 8X20	10	10	10	10	10	10		
23	94301-12160	PIN A, DOWEL, 12X16	2	2	2	2	2	2		
24	95002-41050-08	CLAMP, TUBE(D10.5)	1	1	1	1	1	1		

2

E-2

CYLINDER HEAD

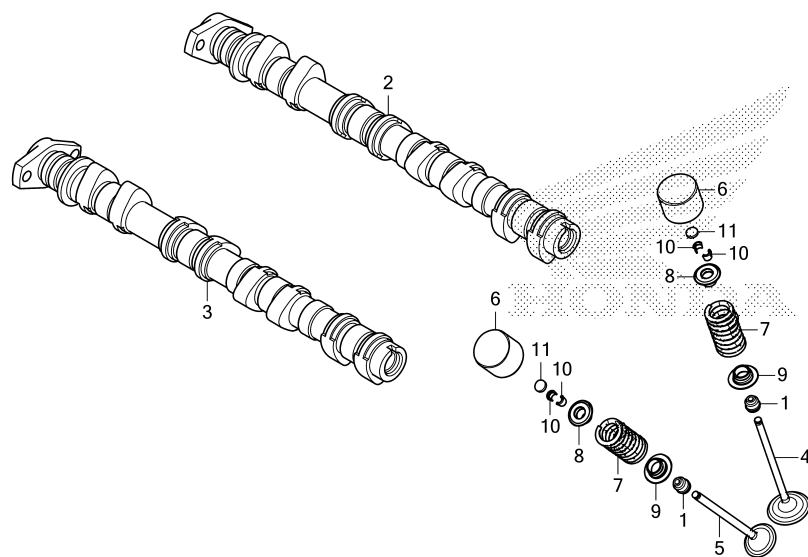


Ref. No.	L.O.N.	(Relative ref. Number) Description	F.R.T.
+ 5		.NOTE: With middle cowling	
3111B6		INSULATOR, THROTTLE BODY/ CARBURETOR :FOR 1 VEHICLE ...	1.6
3111Q4		INSULATOR, THROTTLE BODY/ CARBURETOR(A) :FOR 1 VEHICLE	1.8
12		.NOTE: With middle cowling	
614130		PLUG, SPARK	1.4
6141D8		PLUG, SPARK(A)	1.6
		.NOTE: With middle cowling	
6141B2		PLUG, SPARK :FOR 1 VEHICLE ...	1.4
6141D0		PLUG, SPARK(A) :FOR 1 VEHICLE	1.6
		.NOTE: With middle cowling	
13		(20)	
6171A9		SENSOR, WATER TEMP	1.8
6171B2		SENSOR, WATER TEMP(A)	2.0
		.NOTE: With middle cowling	



E-3

CAMSHAFT/VALVE



Ref. No.	L.O.N.	(Relative ref. Number) Description	F.R.T.
2	1111E5	CAMSHAFT :INTAKEINCLUDES: Valve clearance adjustment	3.5
	1111CY	CAMSHAFT(A) :INTAKEINCLUDES: Valve clearance adjustment .NOTE: With middle cowling	3.7
3	1111E6	CAMSHAFT :EXHAUSTINCLUDES: Valve clearance adjustment	3.5
	1111CZ	CAMSHAFT(A) :EXHAUSTINCLUDES: Valve clearance adjustment .NOTE: With middle cowling	3.7
	1111T4	CAMSHAFT :FOR 1 VEHICLEINCLUDES: Valve clearance adjustment	4.2
	1111CX	CAMSHAFT(A) :FOR 1 VEHICLEINCLUDES: Valve clearance adjustment .NOTE: With middle cowling	4.4
4	1111N0	VALVE, INTAKE(ONE)INCLUDES: Refacing	4.9
	1111N0A	.Replace all intake valve add	1.4
+	1111BJ	VALVE, INTAKE(ONE) (A)	5.1

Ref. No.	Part No.	Description	Reqd. QTY						Serial No.	Parts catalogue code
			CB 650RA			CBR 650RA				
			M	N	P	M	N	P		
1	12209-ML0-722	SEAL, VALVE STEM(ARAI)	16	16	16	16	16	16		
2	14110-MKY-D10	CAMSHAFT COMP., IN.....	1	1	1	1	1	1	-----	----- 2CH,2ED,2FO,2GS,2KO,3ED,3FO,4ED,4FO,5ED,7ED,CH,ED,FO GS,KO
	14110-MKN-D10	1	1	1	1	1	1	-----	----- 2IN,2MA,2PH,2RU,2U,2V,IN,MA,PH,RU,U,V
3	14210-MKY-D10	CAMSHAFT COMP., EX.....	1	1	1	1	1	1		
4	14711-MKY-D10	VALVE, IN.	8	8	8	8	8	8		
5	14721-MKY-D10	VALVE, EX.	8	8	8	8	8	8		
6	14731-MFL-D21	LIFTER, VALVE	16	16	16	16	16	16		
7	14751-MKN-D10	SPRING, VALVE	16	16	16	16	16	16		
8	14771-MKY-D10	RETAINER, VALVE SPRING.....	16	16	16	16	16	16		
9	14775-MKY-D10	SEAT, VALVE SPRING.....	16	16	16	16	16	16		
10	14781-MJE-D00	COTTER, VALVE	32	32	32	32	32	32		
11	14901-KT7-013	SHIM, TAPPET(1.200)	16	16	16	16	16	16		
	14902-KT7-013	SHIM, TAPPET(1.225)	16	16	16	16	16	16		
	14903-KT7-013	SHIM, TAPPET(1.250)	16	16	16	16	16	16		
	14904-KT7-013	SHIM, TAPPET(1.275)	16	16	16	16	16	16		
	14905-KT7-013	SHIM, TAPPET(1.300)	16	16	16	16	16	16		
	14906-KT7-013	SHIM, TAPPET(1.325)	16	16	16	16	16	16		
	14907-KT7-013	SHIM, TAPPET(1.350)	16	16	16	16	16	16		
	14908-KT7-013	SHIM, TAPPET(1.375)	16	16	16	16	16	16		
	14909-KT7-013	SHIM, TAPPET(1.400)	16	16	16	16	16	16		
	14910-KT7-013	SHIM, TAPPET(1.425)	16	16	16	16	16	16		
	14911-KT7-013	SHIM, TAPPET(1.450)	16	16	16	16	16	16		
	14912-KT7-013	SHIM, TAPPET(1.475)	16	16	16	16	16	16		
	14913-KT7-013	SHIM, TAPPET(1.500)	16	16	16	16	16	16		
	14914-KT7-013	SHIM, TAPPET(1.525)	16	16	16	16	16	16		
	14915-KT7-013	SHIM, TAPPET(1.550)	16	16	16	16	16	16		

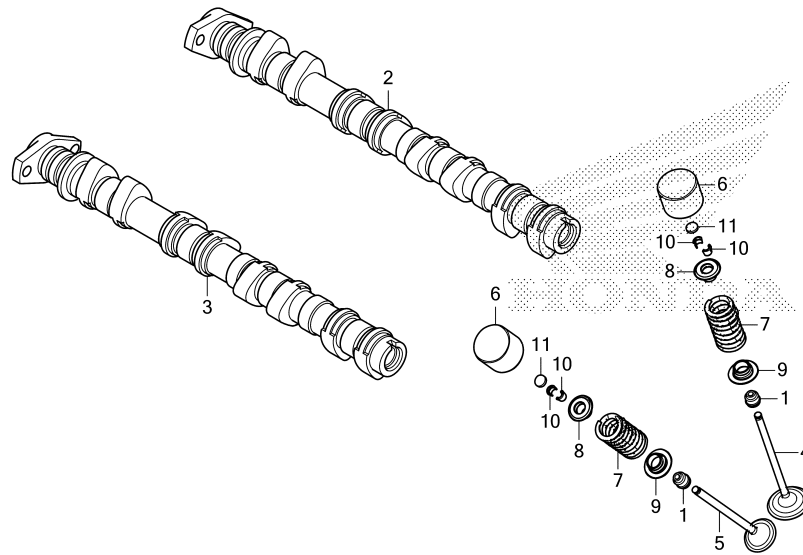
2

FR.

MKY3E0300

E-3

CAMSHAFT/VALVE



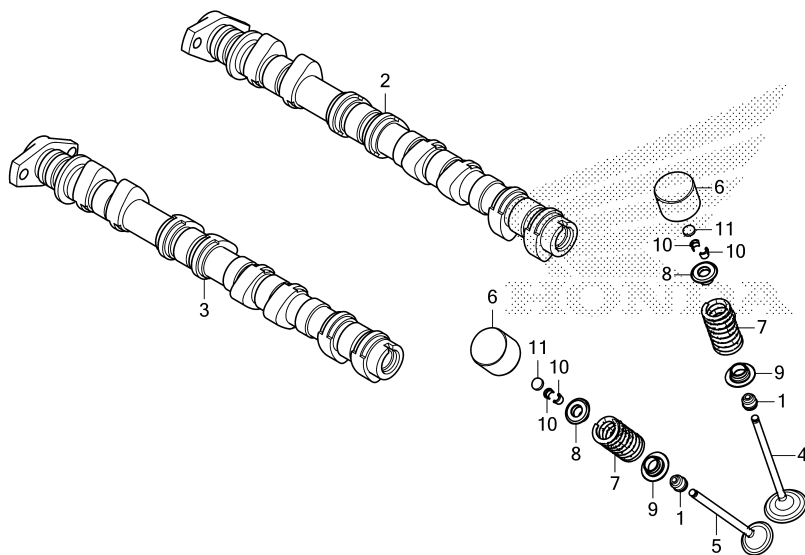
Ref. No.	L.O.N.	(Relative ref. Number) Description	F.R.T.
+ 4		.INCLUDES: Refacing .NOTE: With middle cowling	
1111BJA		.Replace all intake valve add	1.4
5 1111N1		VALVE, EXHAUST(ONE)	4.9
		.INCLUDES: Refacing	
1111N1A		.Replace all exhaust valve add	1.4
1111BK		VALVE, EXHAUST(ONE) (A)	5.1
		.INCLUDES: Refacing	
		.NOTE: With middle cowling	
1111BKA		.Replace all exhaust valve add	1.4
1111P0		VALVE :FOR 1 VEHICLE	7.9
		.INCLUDES: Refacing	
1111BL		VALVE(A) :FOR 1 VEHICLE	8.1
		.INCLUDES: Refacing	
		.NOTE: With middle cowling	
7		(1,8,9,10)	
1111P2		INTAKE VALVE SPRING AND/OR STEM SEAL(ONE)	4.7
1111P2A		.Replace all intake spring add	0.7
1111BG		INTAKE VALVE SPRING AND/OR STEM SEAL(ONE) (A)	4.9
		.NOTE: With middle cowling	
1111BGA		.Replace all intake spring add	0.7
1111P3		EXHAUST VALVE SPRING AND/OR STEM SEAL(ONE)	4.7

Ref. No.	Part No.	Description	Reqd. QTY						Serial No.	Parts catalogue code
			CB 650RA			CBR 650RA				
			M	N	P	M	N	P		
11)	14916-KT7-013	SHIM, TAPPET(1.575)	16	16	16	16	16	16		
	14917-KT7-013	SHIM, TAPPET(1.600)	16	16	16	16	16	16		
	14918-KT7-013	SHIM, TAPPET(1.625)	16	16	16	16	16	16		
	14919-KT7-013	SHIM, TAPPET(1.650)	16	16	16	16	16	16		
	14920-KT7-013	SHIM, TAPPET(1.675)	16	16	16	16	16	16		
	14921-KT7-013	SHIM, TAPPET(1.700)	16	16	16	16	16	16		
	14922-KT7-013	SHIM, TAPPET(1.725)	16	16	16	16	16	16		
	14923-KT7-013	SHIM, TAPPET(1.750)	16	16	16	16	16	16		
	14924-KT7-013	SHIM, TAPPET(1.775)	16	16	16	16	16	16		
	14925-KT7-013	SHIM, TAPPET(1.800)	16	16	16	16	16	16		
	14926-KT7-013	SHIM, TAPPET(1.825)	16	16	16	16	16	16		
	14927-KT7-013	SHIM, TAPPET(1.850)	16	16	16	16	16	16		
	14928-KT7-013	SHIM, TAPPET(1.875)	16	16	16	16	16	16		
	14929-KT7-013	SHIM, TAPPET(1.900)	16	16	16	16	16	16		
	14930-KT7-013	SHIM, TAPPET(1.925)	16	16	16	16	16	16		
	14931-KT7-013	SHIM, TAPPET(1.950)	16	16	16	16	16	16		
	14932-KT7-013	SHIM, TAPPET(1.975)	16	16	16	16	16	16		
	14933-KT7-013	SHIM, TAPPET(2.000)	16	16	16	16	16	16		
	14934-KT7-013	SHIM, TAPPET(2.025)	16	16	16	16	16	16		
	14935-KT7-013	SHIM, TAPPET(2.050)	16	16	16	16	16	16		
	14936-KT7-013	SHIM, TAPPET(2.075)	16	16	16	16	16	16		
	14937-KT7-013	SHIM, TAPPET(2.100)	16	16	16	16	16	16		
	14938-KT7-013	SHIM, TAPPET(2.125)	16	16	16	16	16	16		
	14939-KT7-013	SHIM, TAPPET(2.150)	16	16	16	16	16	16		
	14940-KT7-013	SHIM, TAPPET(2.175)	16	16	16	16	16	16		
	14941-KT7-013	SHIM, TAPPET(2.200)	16	16	16	16	16	16		
	14942-KT7-013	SHIM, TAPPET(2.225)	16	16	16	16	16	16		
	14943-KT7-013	SHIM, TAPPET(2.250)	16	16	16	16	16	16		
	14944-KT7-013	SHIM, TAPPET(2.275)	16	16	16	16	16	16		



E-3

CAMSHAFT/VALVE



Ref. No.	L.O.N.	(Relative ref. Number) Description	F.R.T.
+ 7	1111P3A	.Replace all exhaust spring add	0.7
	1111BF	EXHAUST VALVE SPRING AND/OR STEM SEAL(ONE) (A)	4.9
		.NOTE: With middle cowling	
	1111BFA	.Replace all exhaust spring add	0.7
	1111Q2	VALVE SPRING AND/OR STEM SEAL :FOR 1 VEHICLE	6.2
	1111BH	VALVE SPRING AND/OR STEM SEAL (A) :FOR 1 VEHICLE	6.4
		.NOTE: With middle cowling	

Ref. No.	Part No.	Description	Reqd. QTY						Serial No.	Parts catalogue code
			CB 650RA			CBR 650RA				
			M	N	P	M	N	P		
11)	14945-KT7-013	SHIM, TAPPET(2.300)	16	16	16	16	16	16		
	14946-KT7-013	SHIM, TAPPET(2.325)	16	16	16	16	16	16		
	14947-KT7-013	SHIM, TAPPET(2.350)	16	16	16	16	16	16		
	14948-KT7-013	SHIM, TAPPET(2.375)	16	16	16	16	16	16		
	14949-KT7-013	SHIM, TAPPET(2.400)	16	16	16	16	16	16		
	14950-KT7-013	SHIM, TAPPET(2.425)	16	16	16	16	16	16		
	14951-KT7-013	SHIM, TAPPET(2.450)	16	16	16	16	16	16		
	14952-KT7-013	SHIM, TAPPET(2.475)	16	16	16	16	16	16		
	14953-KT7-013	SHIM, TAPPET(2.500)	16	16	16	16	16	16		
	14954-KT7-013	SHIM, TAPPET(2.525)	16	16	16	16	16	16		
	14955-KT7-013	SHIM, TAPPET(2.550)	16	16	16	16	16	16		
	14956-KT7-013	SHIM, TAPPET(2.575)	16	16	16	16	16	16		
	14957-KT7-013	SHIM, TAPPET(2.600)	16	16	16	16	16	16		
	14958-KT7-013	SHIM, TAPPET(2.625)	16	16	16	16	16	16		
	14959-KT7-013	SHIM, TAPPET(2.650)	16	16	16	16	16	16		
	14960-KT7-013	SHIM, TAPPET(2.675)	16	16	16	16	16	16		
	14961-KT7-013	SHIM, TAPPET(2.700)	16	16	16	16	16	16		
	14962-KT7-013	SHIM, TAPPET(2.725)	16	16	16	16	16	16		
	14963-KT7-013	SHIM, TAPPET(2.750)	16	16	16	16	16	16		
	14964-KT7-013	SHIM, TAPPET(2.775)	16	16	16	16	16	16		
	14965-KT7-013	SHIM, TAPPET(2.800)	16	16	16	16	16	16		
	14966-KT7-013	SHIM, TAPPET(2.825)	16	16	16	16	16	16		
	14967-KT7-013	SHIM, TAPPET(2.850)	16	16	16	16	16	16		
	14968-KT7-013	SHIM, TAPPET(2.875)	16	16	16	16	16	16		
	14969-KT7-013	SHIM, TAPPET(2.900)	16	16	16	16	16	16		

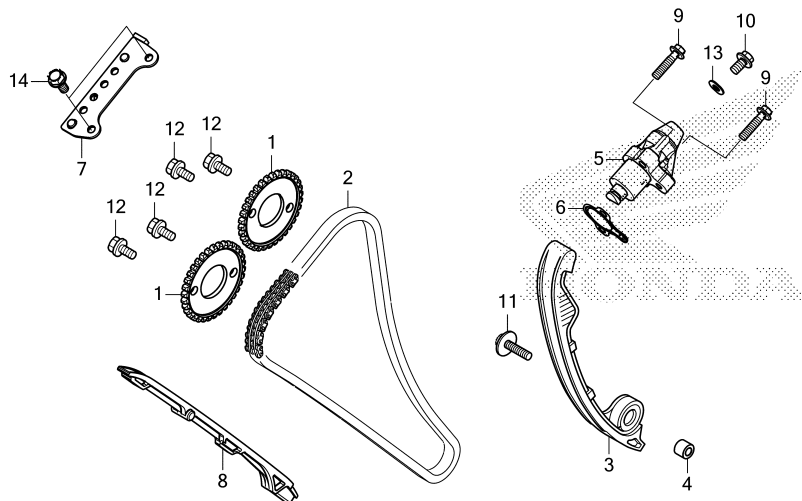
2

FR.

MKY3E0300

E-4

CAM CHAIN/TENSIONER



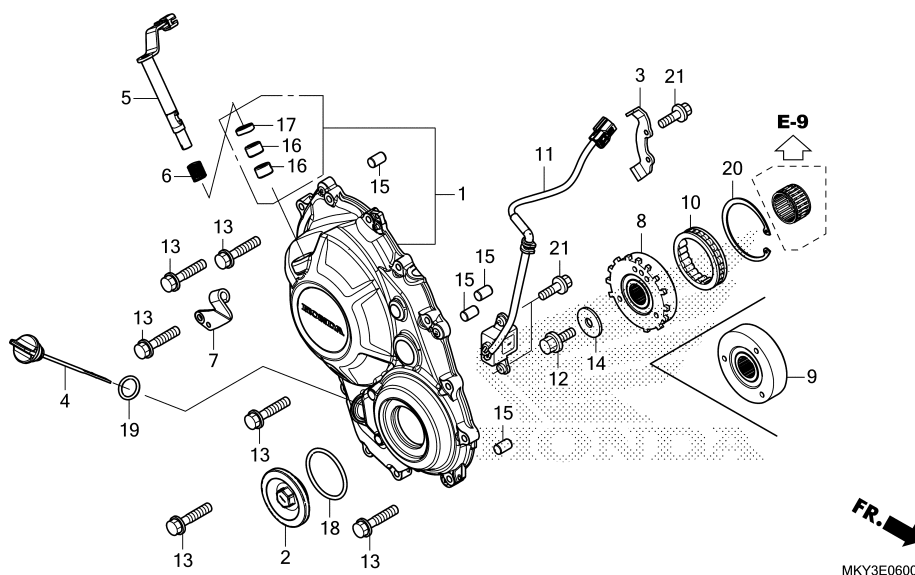
Ref. No.	L.O.N.	(Relative ref. Number) Description	F.R.T.
1	1111F7	SPROCKET, CAM :INTAKE	2.9
	1111DE	SPROCKET, CAM(A) :INTAKE	3.1
		.NOTE: With middle cowling	
	1111F8	SPROCKET, CAM :EXHAUST	2.9
	1111DF	SPROCKET, CAM(A) :EXHAUST	3.1
		.NOTE: With middle cowling	
	1111F9	SPROCKET, CAM :FOR 1 VEHICLE	3.0
	1111DG	SPROCKET, CAM(A) :FOR 1 VEHICLE	3.2
		.NOTE: With middle cowling	
2	110140	CHAIN, CAM	3.1
	1101N8	CHAIN, CAM(A)	3.5
		.NOTE: With middle cowling	
3	111130	TENSIONER, CAM CHAIN	0.5
	1111AE	TENSIONER, CAM CHAIN(A)	0.7
		.NOTE: With middle cowling	
5		(6)	
	111133	LIFTER, TENSIONER	0.2
7	1111G9	GUIDE B, CAM CHAIN	2.2
	1111DH	GUIDE B, CAM CHAIN(A)	2.4
		.NOTE: With middle cowling	
8	111139	GUIDE, CAM CHAIN	4.5
	1111BP	GUIDE, CAM CHAIN(A)	4.7
		.NOTE: With middle cowling	

Ref. No.	Part No.	Description	Reqd. QTY						Serial No.	Parts catalogue code
			CB 650RA			CBR 650RA				
			M	N	P	M	N	P		
1	14321-MKN-D10	SPROCKET, CAM(34T)	2	2	2	2	2	2		
2	14401-MKN-D11	CHAIN, CAM(122L)(DAIDO) (SCH-0409 SV)	1	1	1	1	1	1		
3	14510-MKN-D10	TENSIONER ASSY., CAM CHAIN	1	1	1	1	1	1		
4	14517-MKN-D10	COLLAR, TENSIONER	1	1	1	1	1	1		
5	14520-MJE-DB1	LIFTER ASSY., TENSIONER(NHK)	1	1	1	1	1	1		
6	14523-MJE-D00	GASKET, TENSIONER HOLE	1	1	1	1	1	1		
7	14546-MJE-D00	GUIDE COMP. B, CAM CHAIN	1	1	1	1	1	1		
8	14611-MJE-D00	GUIDE A, CAM CHAIN	1	1	1	1	1	1		
9	90003-MJE-D00	BOLT, FLANGE, 6X25	2	2	2	2	2	2	-----	2CH, 2ED, 2FO, 2GS, 2IN, 2KO, 2MA, 2PH, 2RU, 2U, 2V, 3ED, 3FO, 4ED 4FO, CH, ED, FO, GS, IN, KO, MA, PH, RU, U, V
	90010-GHB-670	2	-	-	-	-	-	-----	5ED, 7ED
10	90004-GHB-600	BOLT, FLANGE, 6X10(NSHF)	1	1	1	1	1	1		
11	90022-MKN-D10	BOLT-WASHER, 6X25	1	1	1	1	1	1		
12	90082-HA0-000	BOLT, FLANGE KNOCK, 7X10.5	4	4	4	4	4	4		
13	90442-397-000	WASHER, SEALING, 6MM	1	1	1	1	1	1		
14	95701-06014-00	BOLT, FLANGE, 6X14	2	2	2	2	2	2		



E-6

RIGHT CRANKCASE COVER

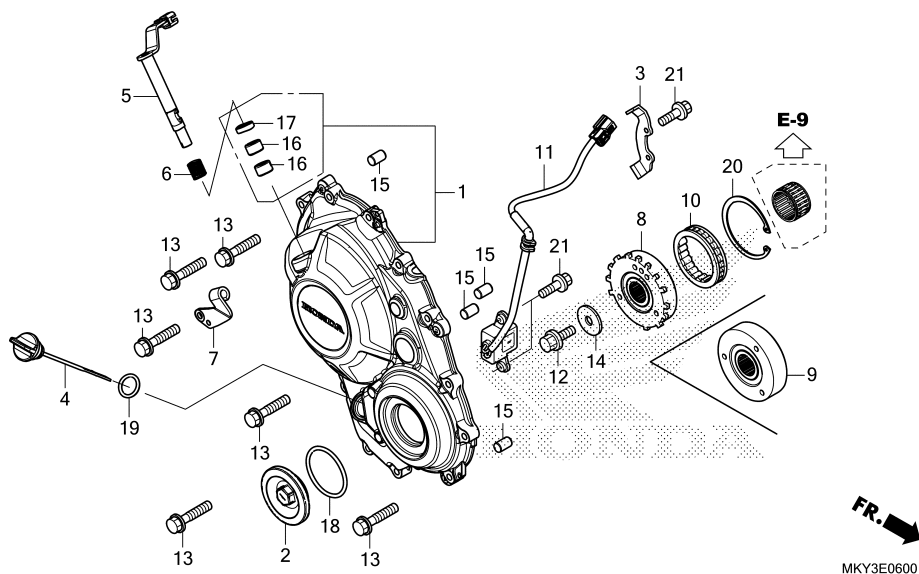


Ref. No.	L.O.N.	(Relative ref. Number) Description	F.R.T.
1	110159	COVER, CRANKCASE :RIGHT	0.5
	1101R4	COVER, CRANKCASE(A) :RIGHTNOTE: With middle cowling	0.7
5	2121A7	LEVER, CLUTCH	0.4
	2121N5	LEVER, CLUTCH(A)	0.6
		.NOTE: With middle cowling	
8	612131	OUTER, STARTING CLUTCH	0.6
	6121C6	OUTER, STARTING CLUTCH(A)NOTE: With middle cowling	0.8
10	6121A2	CLUTCH, STARTING ONE WAY	0.6
	6121C3	CLUTCH, STARTING ONE WAY(A) .. .NOTE: With middle cowling	0.8
11	614110	GENERATOR, IGNITION PULSE	0.5
	6141D3	GENERATOR, IGNITION PULSE(A) .. .NOTE: With middle cowling	0.7

Ref. No.	Part No.	Description	Reqd. QTY						Serial No.	Parts catalogue code
			CB 650RA			CBR 650RA				
			M	N	P	M	N	P		
1	11330-MKY-D10	COVER COMP., R. CRANKCASE	1	1	1	-	-	-	-----	3ED,3FO,5ED,7ED,CH,ED,FO,KO
	11330-MKY-T10	1	1	1	-	-	-	-----	IN,MA,PH,RU,U,V
	11330-MKY-DP0	-	-	1	-	-	-	-----	2ED,2FO,2KO,4ED
	11330-MKY-T90	-	-	1	-	-	-	-----	2IN,2MA,2PH,2RU,2U,2V
	11330-MKY-D10	-	-	-	1	1	-	-----	2CH,2ED,2FO,2KO,3ED,3FO,4ED,4FO,CH,ED,FO,KO
	11330-MKY-T10	-	-	-	1	1	-	-----	2MA,2U,MA,U
	11330-MKY-DP0	-	-	-	-	-	1	-----	2ED,2GS,2KO,3ED,3FO,4ED,4FO,ED,GS,KO
	11330-MKY-T90	-	-	-	-	-	1	-----	2MA,2PH,2RU,2U,2V,MA,PH,RU,U,V
2	11332-MGZ-J00	CAP, 45MM	1	1	1	1	1	1	-----	
3	11334-MJE-D00	CLAMP, PULSE GENERATOR CORD ..	1	1	1	1	1	1	-----	2IN,2MA,2PH,2RU,2U,2V,IN,MA,PH,RU,U,V
4	15650-MKN-D10	GAUGE, OIL LEVEL	1	1	1	1	1	1	-----	
5	22810-MKN-D10	LEVER COMP., CLUTCH	1	1	1	1	1	1	-----	
6	22815-MJE-D00	SPRING, CLUTCH LEVER	1	1	1	1	1	1	-----	
7	22821-MKN-D10	RECEIVER, CLUTCH CABLE	1	1	1	1	1	1	-----	
8	28115-MJE-D00	OUTER, STARTING CLUTCH	1	1	1	1	1	1	-----	2IN,2MA,2PH,2RU,2U,2V,IN,MA,PH,RU,U,V
9	28115-MKY-D10	OUTER, STARTING CLUTCH	1	1	1	1	1	1	-----	2CH,2ED,2FO,2GS,2KO,3ED,3FO,4ED,4FO,5ED,7ED,CH,ED,FO,GS,KO
10	28125-MJE-D01	CLUTCH, ONE WAY	1	1	1	1	1	1	-----	
11	30300-MJE-D01	GENERATOR ASSY., PULSE	1	1	1	1	1	1	-----	2IN,2MA,2PH,2RU,2U,2V,IN,MA,PH,RU,U,V
12	90013-430-000	BOLT, SPECIAL, 10X25	1	1	1	1	1	1	-----	
13	90028-GHB-690	BOLT, FLANGE, 6X28(S-NSHF) ...	14	14	14	14	14	14	-----	
14	90405-MJE-D00	WASHER, 10.5X31.8	1	1	1	1	1	1	-----	2CH,2ED,2FO,2GS,2IN,2KO,2MA,2PH,2RU,2U,2V,3ED,3FO,4ED,4FO,CH,ED,FO,GS,IN,KO,MA,PH,RU,U,V
	90405-MFA-D00	1	-	-	-	-	-	-----	5ED,7ED
15	90701-MV9-670	DOWEL PIN, 10X16	4	4	4	4	4	4	-----	
16	91053-MFJ-D01	BEARING, NEEDLE, 12X16X10	2	2	2	2	2	2	-----	

E-6

RIGHT CRANKCASE COVER

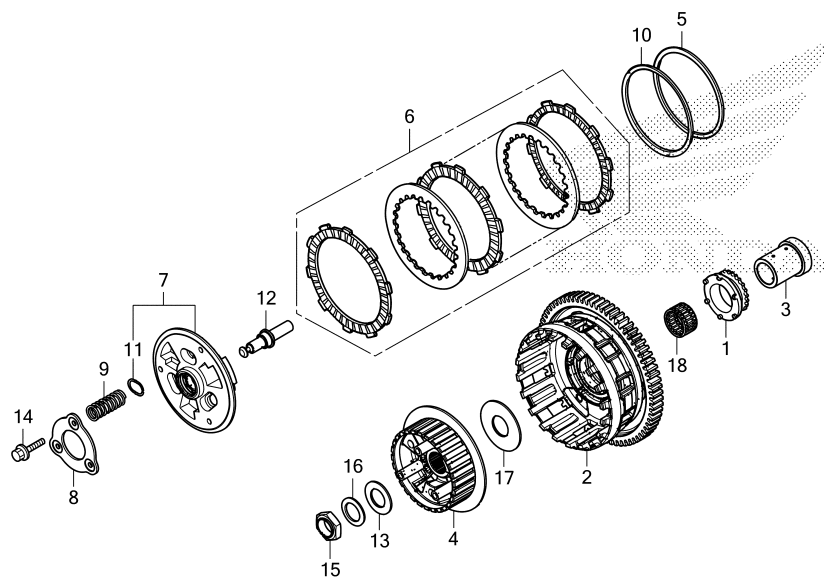


Ref. No.	Part No.	Description	Reqd. QTY						Serial No.	Parts catalogue code
			CB 650RA			CBR 650RA				
			M	N	P	M	N	P		
17	91204-KK0-003	OIL SEAL, 12X18X5(ARAI).....	1	1	1	1	1	1		
18	91301-ML7-003	O-RING, 48.1X3.6(ARAI).....	1	1	1	1	1	1		
19	91307-KF0-003	O-RING, 18X3(ARAI).....	1	1	1	1	1	1		
20	94520-63150	CIRCLIP, INTERNAL, 63MM.....	1	1	1	1	1	1		
21	95701-06014-00	BOLT, FLANGE, 6X14.....	4	4	4	4	4	4	-----	2IN,2MA,2PH,2RU,2U,2V,IN,MA,PH,RU,U,V



E-8

CLUTCH



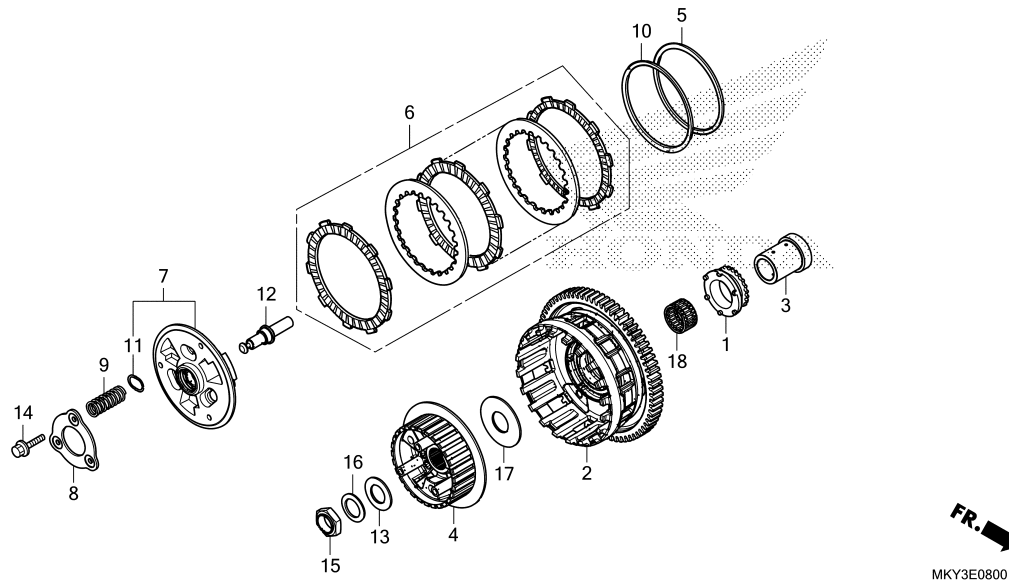
FR. →
MKY3E0800

Ref. No.	L.O.N.	(Relative ref. Number) Description	F.R.T.
1	1131A2	SPROCKET, OIL PUMP DRIVE	0.8
	1131F3	SPROCKET, OIL PUMP DRIVE(A) ..	1.0
		.NOTE: With middle cowling (18)	
2	2121A0	OUTER, CLUTCH	0.8
	2121F6	OUTER, CLUTCH(A)	1.0
		.NOTE: With middle cowling	
4	212112	CENTER, CLUTCH	0.8
	2121F8	CENTER, CLUTCH(A)	1.0
		.NOTE: With middle cowling (5,10)	
6	2121A1	DISC, CLUTCH FRICTION	0.6
	2121F9	DISC, CLUTCH FRICTION(A)	0.8
		.NOTE: With middle cowling	
7	2121A3	PLATE, CLUTCH PRESSURE	0.5
	2121P1	PLATE, CLUTCH PRESSURE(A)	0.7
		.NOTE: With middle cowling	
8	2121A4	PLATE, CLUTCH LIFTER	0.5
	2121N1	PLATE, CLUTCH LIFTER(A)	0.7
		.NOTE: With middle cowling	
9	212107	SPRING, CLUTCH	0.5
		.NOTE: Same time for two units or more	
+	2121N0	SPRING, CLUTCH(A)	0.7

Ref. No.	Part No.	Description	Reqd. QTY						Serial No.	Parts catalogue code
			CB 650RA			CBR 650RA				
			M	N	P	M	N	P		
1	15131-MJE-D01	SPROCKET, OIL PUMP DRIVE(25T)	1	1	1	1	1	1		
2	22100-MKN-D11	OUTER COMP., CLUTCH(71T).....	1	1	1	1	1	1		
3	22116-MJE-D00	GUIDE, CLUTCH OUTER.....	1	1	1	1	1	1		
4	22121-MKN-D11	CENTER, CLUTCH.....	1	1	1	1	1	1		
5	22125-ML7-000	SEAT, JUDDER SPRING.....	1	1	1	1	1	1		
6	22210-MKN-305	DISK SET, CLUTCH.....	1	1	1	1	1	1		
7	22350-MKY-D11	PLATE COMP., CLUTCH PRESSURE	1	1	1	1	1	1		
8	22361-MKN-D11	PLATE, SETTING.....	1	1	1	1	1	1		
9	22401-MKN-D11	SPRING, CLUTCH.....	3	3	3	3	3	3		
10	22402-MKN-D11	SPRING, JUDDER.....	1	1	1	1	1	1		
11	22425-MJP-G51	SEAT, CLUTCH SPRING.....	3	3	3	3	3	3		
12	22847-MJE-D00	PIN, CLUTCH LIFTER.....	1	1	1	1	1	1		
13	52143-KZ3-860	WASHER, SWINGARM SIDE.....	1	1	1	1	1	1		
14	90050-MKN-D11	BOLT, FLANGE, 6X30.....	3	3	3	3	3	3		
15	90231-MJE-D00	NUT, LOCK, 22MM.....	1	1	1	1	1	1		
	90231-MM5-000	1	-	-	-	-	-	-----	2CH, 2ED, 2FO, 2GS, 2IN, 2KO, 2MA, 2PH, 2RU, 2U, 2V, 3ED, 3FO, 4ED, 4FO, CH, ED, FO, GS, IN, KO, MA, PH, RU, U, V, 5ED, 7ED
16	90432-MM5-000	WASHER, SPRING, 22MM.....	1	1	1	1	1	1		
17	90459-MM4-000	WASHER, 60X25X2.....	1	1	1	1	1	1		
18	91102-MEE-003	BEARING B, NEEDLE, 35X41X23.8 (WHITE)	1	1	1	1	1	1		

E-8

CLUTCH

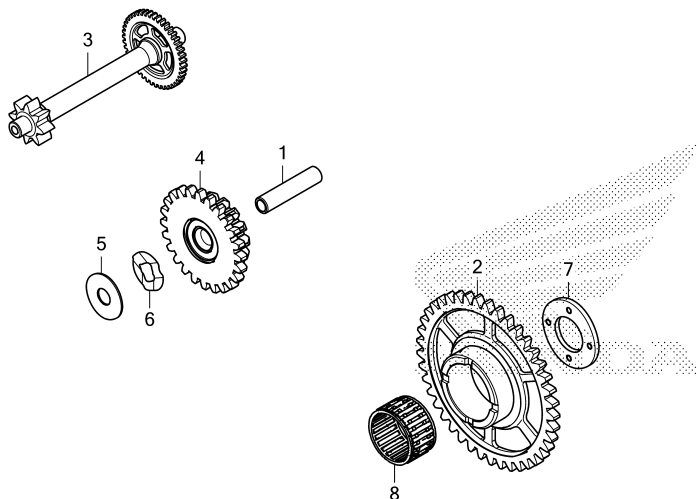


Ref. No.	L.O.N.	(Relative ref. Number) Description	F.R.T.
+ 9		.NOTE: Same time for two units or more .NOTE: With middle cowling	
12	2121B6	ROD, CLUTCH LIFTER	0.5
	2121N7	ROD, CLUTCH LIFTER(A)	0.7
		.NOTE: With middle cowling	



E-9

STARTING DRIVEN GEAR

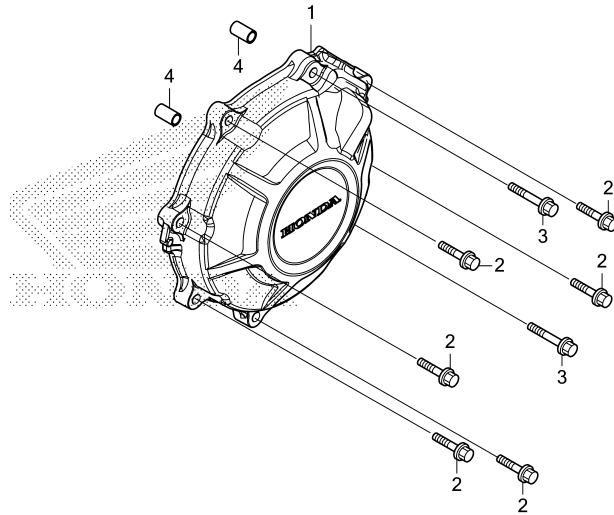


Ref. No.	L.O.N.	(Relative ref. Number) Description	F.R.T.
2	(8)		
612120		GEAR, STARTER DRIVEN	0.5
6121C4		GEAR, STARTER DRIVEN(A)	0.7
.NOTE: With middle cowling			
3		GEAR, STARTER REDUCTION	0.8
6121C5		GEAR, STARTER REDUCTION(A) ...	1.0
.NOTE: With middle cowling			
4		GEAR, STARTER IDLE	0.4
6121E1		GEAR, STARTER IDLE(A)	0.6
.NOTE: With middle cowling			

Ref. No.	Part No.	Description	Reqd. QTY						Serial No.	Parts catalogue code
			CB 650RA			CBR 650RA				
			M	N	P	M	N	P		
1	28102-ME9-000	PIN, 10X44	1	1	1	1	1	1		
2	28111-MJE-D00	GEAR COMP., STARTER DRIVEN (37T)	1	1	1	1	1	1		
3	28130-MJE-D00	GEAR COMP., STARTER REDUCTION (43T/8T)	1	1	1	1	1	1		
4	28140-MKY-D10	GEAR B, STARTER REDUCTION (24T/15T)	1	1	1	1	1	1		
5	90401-MEE-000	WASHER, 10X28X1	1	1	1	1	1	1		
6	90435-MEE-000	WASHER, WAVE	1	1	1	1	1	1		
7	90456-MFA-D00	WASHER, THRUST, 22.1X42X3	1	1	1	1	1	1		
8	91101-MJE-D02	BEARING, NEEDLE, 30X35X20	1	1	1	1	1	1		

E-10

GENERATOR COVER



MKY3E1000

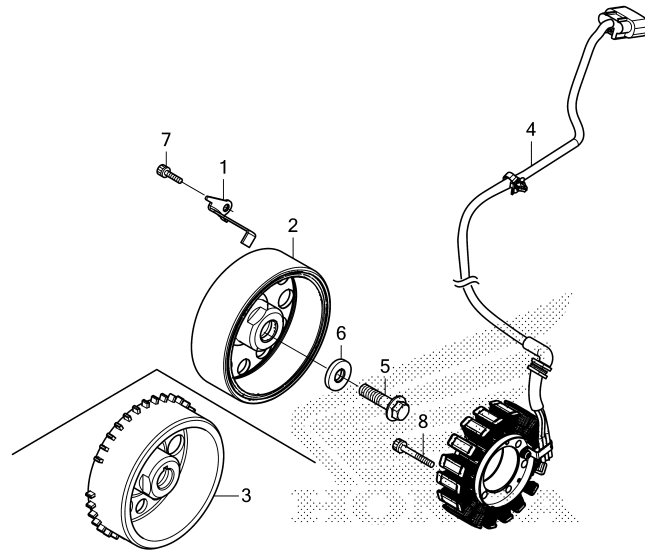
Ref. No.	L.O.N.	(Relative ref. Number) Description	F.R.T.
1	1101B1	COVER, ALTERNATOR	0.4
	1101W4	COVER, ALTERNATOR(A)	0.7
.NOTE: With middle cowling			

Ref. No.	Part No.	Description	Reqd. QTY						Serial No.	Parts catalogue code
			CB 650RA			CBR 650RA				
			M	N	P	M	N	P		
1	11321-MKY-D10	COVER, A.C. GENERATOR	1	1	1	-	-	-	-----	3ED,3FO,5ED,7ED,CH,ED,FO,IN,KO,MA,PH,RU,U,V
	11321-MKY-DP0	-	-	1	-	-	-	-----	2ED,2FO,2IN,2KO,2MA,2PH,2RU,2U,2V,4ED
	11321-MKY-D10	-	-	-	1	1	-		
	11321-MKY-DP0	-	-	-	-	-	1		
2	90028-GHB-680	BOLT, FLANGE, 6X25(S-NSHF)...	6	6	6	6	6	6		
3	90028-GHB-720	BOLT, FLANGE, 6X35(S-NSHF)...	2	2	2	2	2	2		
4	94301-08140	DOWEL PIN, 8X14.....	2	2	2	2	2	2		



E-11

GENERATOR



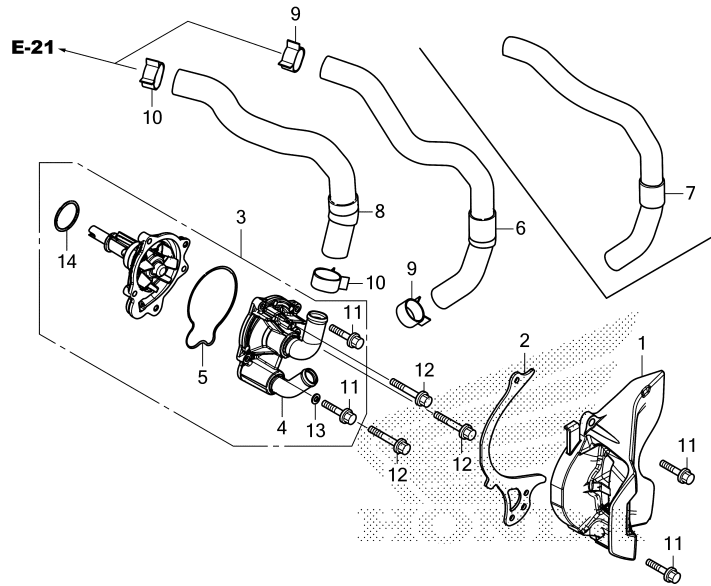
MKY3E1100

Ref. No.	L.O.N.	(Relative ref. Number) Description	F.R.T.
2	(3)		
613105		ROTOR OR FLYWHEEL	0.5
6131C6		ROTOR OR FLYWHEEL(A)	0.8
.NOTE: With middle cowling			
4			
6131A3		STATOR	0.6
6131C7		STATOR(A)	0.9
.NOTE: With middle cowling			

Ref. No.	Part No.	Description	Reqd. QTY						Serial No.	Parts catalogue code
			CB 650RA			CBR 650RA				
			M	N	P	M	N	P		
1	11333-MKY-D10	CLAMP, A.C. GENERATOR CORD ...	1	1	1	1	1	1		
2	31110-MJE-D01	FLYWHEEL COMP.	1	1	1	1	1	1	-----	2IN, 2MA, 2PH, 2RU, 2U, 2V, IN, MA, PH, RU, U, V
3	31110-MKY-D11	FLYWHEEL COMP.	1	1	1	1	1	1	-----	2CH, 2ED, 2FO, 2GS, 2KO, 3ED, 3FO, 4ED, 4FO, 5ED, 7ED, CH, ED, FO, GS, KO
4	31120-MKY-D11	STATOR COMP.	1	1	1	1	1	1		
5	90023-MV9-670	BOLT, FLANGE, 10MM	1	1	1	1	1	1		
6	90406-MJE-D00	WASHER, 10.5X27	1	1	1	1	1	1	-----	2CH, 2ED, 2FO, 2GS, 2IN, 2KO, 2MA, 2PH, 2RU, 2U, 2V, 3ED, 3FO, 4ED, 4FO, CH, ED, FO, GS, IN, KO, MA, PH, RU, U, V
	90405-MCA-780	1	-	-	-	-	-	-----	5ED, 7ED
7	96600-06016-00	BOLT, SOCKET, 6X16	1	1	1	1	1	1		
8	96600-06032-00	BOLT, SOCKET, 6X32	4	4	4	4	4	4		

E-12

WATER PUMP



MKY3E1200

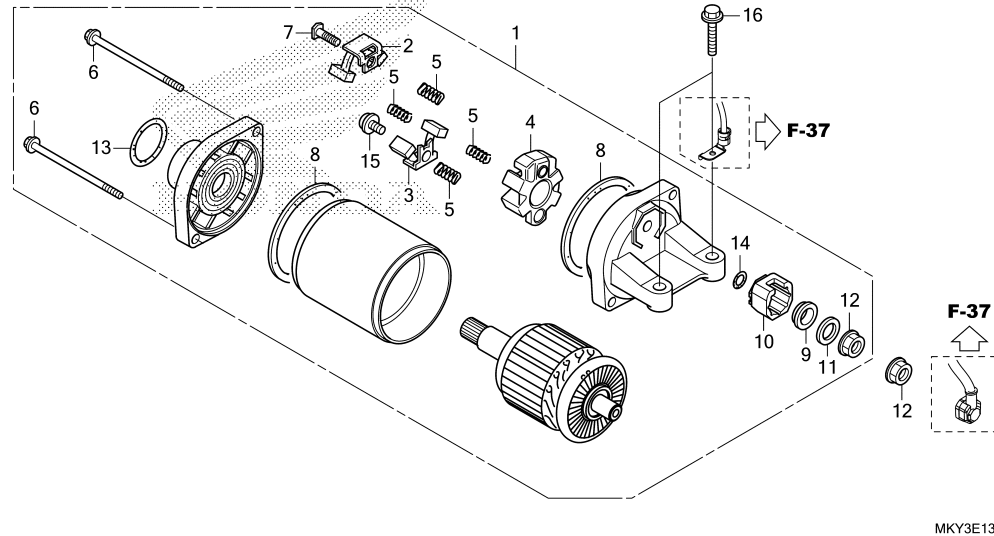
Ref. No.	L.O.N.	(Relative ref. Number) Description	F.R.T.
1	1101B0	COVER, CRANKCASE :LEFT REAR ..	0.1
3	114103	PUMP ASSY., WATER	0.6
	1141M8	PUMP ASSY., WATER(A)	1.0
		.NOTE: With middle cowling	
4	1141B0	COVER, WATER PUMP	0.6
	1141M9	COVER, WATER PUMP(A)	1.0
		.NOTE: With middle cowling	
5	1141B1	GASKET, WATER PUMP COVER	0.6
	1141N0	GASKET, WATER PUMP COVER(A) ..	1.0
		.NOTE: With middle cowling	
6		(7)	
	114130	HOSE A, WATER	2.0
	1141J2	HOSE A, WATER(A)	2.2
		.NOTE: With middle cowling	
8	114131	HOSE B, WATER	2.0
	1141K4	HOSE B, WATER(A)	2.2
		.NOTE: With middle cowling	
14	1141E1	O-RING, WATER PUMP	0.6
	1141R6	O-RING, WATER PUMP(A)	1.0
		.NOTE: With middle cowling	

Ref. No.	Part No.	Description	Reqd. QTY						Serial No.	Parts catalogue code
			CB 650RA			CBR 650RA				
			M	N	P	M	N	P		
1	11350-MJE-D00	COVER COMP., L. RR.....	1	1	1	1	1	1		
2	11356-MJE-D00	PLATE, CHAIN GUIDE.....	1	1	1	1	1	1		
3	19200-MKY-305	PUMP COMP., WATER.....	1	1	1	1	1	1		
4	19220-MJE-DB0	COVER COMP., WATER PUMP.....	1	1	1	1	1	1		
5	19226-MJE-D00	GASKET, WATER PUMP BODY.....	1	1	1	1	1	1		
6	19525-MJE-D00	HOSE A, WATER	1	1	1	1	1	1	-----	2IN, 2MA, 2PH, 2RU, 2U, 2V, IN, MA, PH, RU, U, V
7	19525-MKY-D10	HOSE A, WATER	1	1	1	1	1	1	-----	2CH, 2ED, 2FO, 2GS, 2KO, 3ED, 3FO, 4ED, 4FO, 5ED, 7ED, CH, ED, FO, GS, KO
8	19526-MJE-D00	HOSE B, WATER	1	1	1	1	1	1		
9	19531-MGZ-J00	CLIP, WATER HOSE(D27)	2	2	2	2	2	2		
10	19533-MGZ-J00	CLIP, WATER HOSE(D30)	2	2	2	2	2	2		
11	90028-GHB-680	BOLT, FLANGE, 6X25(S-NSHF)...	4	4	4	4	4	4		
12	90028-GHB-720	BOLT, FLANGE, 6X35(S-NSHF)...	3	3	3	3	3	3		
13	90463-ML7-000	WASHER, SEALING, 6.5MM.....	1	1	1	1	1	1		
14	91302-MB0-013	O-RING, 32.95X2.62(ARAI).....	1	1	1	1	1	1		



E-13

STARTING MOTOR



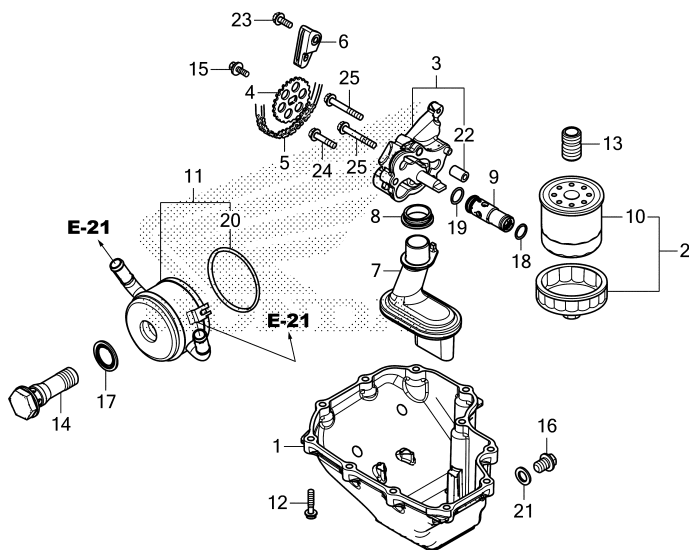
Ref. No.	L.O.N.	(Relative ref. Number) Description	F.R.T.
1	(13)		
612105		MOTOR, STARTING	0.4
2	(3,5,8)		
6121A4		TERMINAL, BRUSH(STARTER)	0.5
.NOTE: Same time for two units			

Ref. No.	Part No.	Description	Reqd. QTY						Serial No.	Parts catalogue code
			CB 650RA			CBR 650RA				
			M	N	P	M	N	P		
1	31200-MJE-DB1	MOTOR ASSY., STARTER(MITSUBA)	1	1	1	1	1	1		
2	31201-MEW-921	BRUSH SET A, CARBON	1	1	1	1	1	1		
3	31202-MEW-921	BRUSH SET B, CARBON	1	1	1	1	1	1		
4	31203-MEW-921	HOLDER, BRUSH	1	1	1	1	1	1		
5	31204-MEW-921	SPRING, CARBON BRUSH	4	4	4	4	4	4		
6	31205-HP5-601	BOLT, SETTING	2	2	2	2	2	2		
7	31206-MEW-921	BOLT, TERMINAL	1	1	1	1	1	1		
8	31207-HP5-601	RING	2	2	2	2	2	2		
9	31208-MEW-921	INSULATOR	1	1	1	1	1	1		
10	31209-MEW-921	STOPPER, TERMINAL	1	1	1	1	1	1		
11	31210-MEW-921	WASHER	1	1	1	1	1	1		
12	90071-MB0-000	NUT-WASHER, 6MM	2	2	2	2	2	2		
13	91309-425-003	O-RING, 24.4X3.1(ARAI)	1	1	1	1	1	1		
14	91320-MB0-000	O-RING, 4X2	1	1	1	1	1	1		
15	93892-05012-08	SCREW-WASHER, 5X12	1	1	1	1	1	1		
16	95801-06028-00	BOLT, FLANGE, 6X28	2	2	2	2	2	2		

2

E-14

OIL PAN/OIL PUMP



MKY3E1400

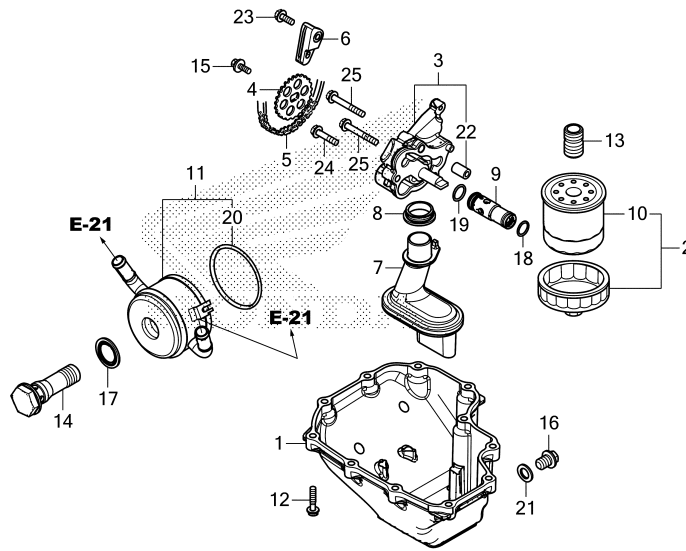
Ref. No.	L.O.N.	(Relative ref. Number) Description	F.R.T.
1	113145	OIL PAN AND/OR GASKET	1.0
3	113105	PUMP ASSY., OIL	0.8
	1131F2	PUMP ASSY., OIL(A)	1.0
4	113111	SPROCKET, OIL PUMP DRIVEN	0.4
	1131F1	SPROCKET, OIL PUMP DRIVEN(A) .	0.6
5	113122	CHAIN, OIL PUMP DRIVE	0.8
	1131F0	CHAIN, OIL PUMP DRIVE(A)	1.0
6	1131A3	GUIDE, OIL PUMP CHAIN	0.7
	1131G9	GUIDE, OIL PUMP CHAIN(A)	0.9
7		.NOTE: With middle cowling (8)	
	1131B6	STRAINER, OIL	1.0
9		(18,19)	
	113126	VALVE, RELIEF	0.8
	1131G6	VALVE, RELIEF(A)	1.0
10		.NOTE: With middle cowling (2)	
	113180	CARTRIDGE, OIL FILTER	0.2
11		(20)	
	1131B4	COOLER, OIL	0.6
	1131F8	COOLER, OIL(A)	1.0
		.NOTE: With middle cowling	

Ref. No.	Part No.	Description	Reqd. QTY						Serial No.	Parts catalogue code
			CB 650RA			CBR 650RA				
			M	N	P	M	N	P		
1	11210-MJE-DB0	PAN, OIL	1	1	1	1	1	1		
2	15010-MKR-305	FILTER SET, OIL	(1)	(1)	(1)	(1)	(1)	(1)		
3	15100-MJE-D00	PUMP ASSY., OIL	1	1	1	1	1	1		
4	15134-MV9-670	SPROCKET, OIL PUMP DRIVEN(26T)	1	1	1	1	1	1		
5	15141-MKY-D11	CHAIN, OIL PUMP(RK 25H-70LE)	1	1	1	1	1	1		
6	15147-MGE-D00	GUIDE COMP. B, OIL PUMP CHAIN	1	1	1	1	1	1		
7	15150-MJE-D00	STRAINER COMP., OIL	1	1	1	1	1	1		
8	15154-MAT-000	PACKING, OIL STRAINER	1	1	1	1	1	1		
9	15220-MJE-D02	VALVE ASSY., RELIEF	1	1	1	1	1	1		
10	15410-MFJ-D02	CARTRIDGE, OIL FILTER (WAKO FILTER)	1	1	1	1	1	1		
11	15700-MJE-D01	COOLER COMP., OIL	1	1	1	1	1	1		
12	90010-MGZ-J00	BOLT, FLANGE, 6X28(NSHF)	11	11	11	11	11	11	-----	2CH, 2ED, 2FO, 2GS, 2IN, 2KO, 2MA, 2PH, 2RU, 2U, 2V, 3ED, 3FO, 4ED 4FO, CH, ED, FO, GS, IN, KO, MA, PH, RU, U, V 5ED, 7ED
	90006-GHB-680	11	-	-	-	-	-	-----	
13	90019-MGZ-J00	BOSS, OIL FILTER	1	1	1	1	1	1		
14	90019-MJE-D00	BOLT, OIL COOLER	1	1	1	1	1	1		
15	90021-MGZ-J00	BOLT-WASHER, 6X12	1	1	1	1	1	1	-----	2CH, 2ED, 2FO, 2GS, 2IN, 2KO, 2MA, 2PH, 2RU, 2U, 2V, 3ED, 3FO, 4ED 4FO, CH, ED, FO, GS, IN, KO, MA, PH, RU, U, V 5ED, 7ED
	90021-MM5-000	1	-	-	-	-	-	-----	
16	90131-883-000	BOLT, DRAIN PLUG, 12X15	1	1	1	1	1	1		
17	90402-MFJ-D01	WASHER, SEALING, 34.5MM	1	1	1	1	1	1		
18	91301-PC0-003	O-RING, 13.8X1.9	1	1	1	1	1	1		
19	91313-MB0-003	O-RING, 14.7X2.2(ARAI)	1	1	1	1	1	1		
20	91354-MEJ-641	O-RING, OIL COOLER	1	1	1	1	1	1		



E-14

OIL PAN/OIL PUMP

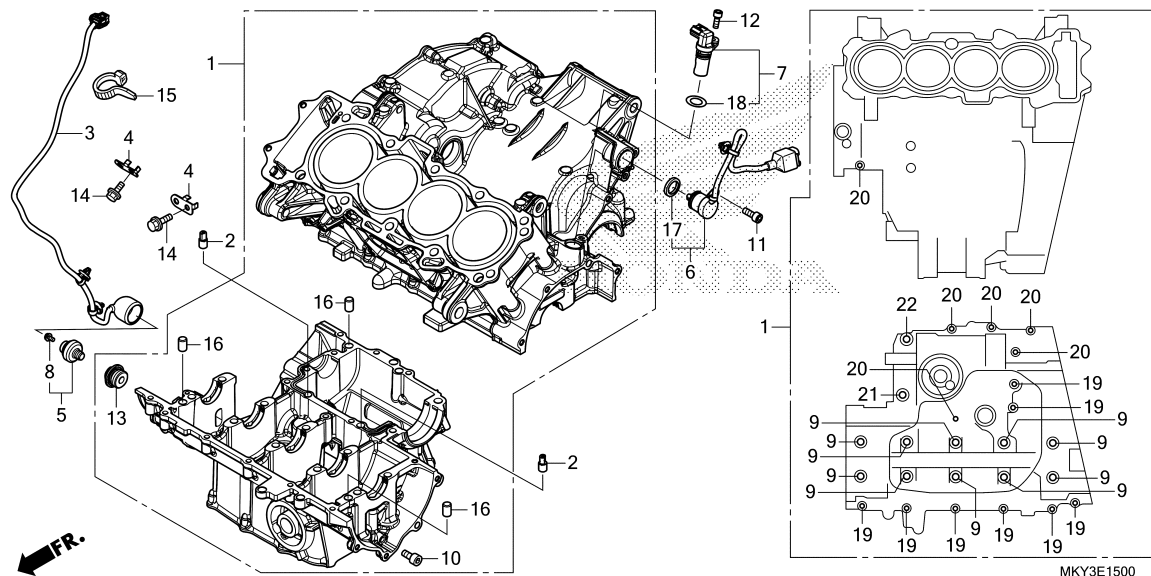


MKY3E1400

Ref. No.	Part No.	Description	Reqd. QTY						Serial No.	Parts catalogue code
			CB 650RA			CBR 650RA				
			M	N	P	M	N	P		
21	94109-12000	WASHER, DRAIN PLUG, 12MM.....	1	1	1	1	1	1		
22	94301-08140	DOWEL PIN, 8X14.....	2	2	2	2	2	2		
23	95701-06016-00	BOLT, FLANGE, 6X16.....	1	1	1	1	1	1		
24	95701-06028-00	BOLT, FLANGE, 6X28.....	1	1	1	1	1	1		
25	95701-06045-00	BOLT, FLANGE, 6X45.....	2	2	2	2	2	2		

E-15

CRANKCASE



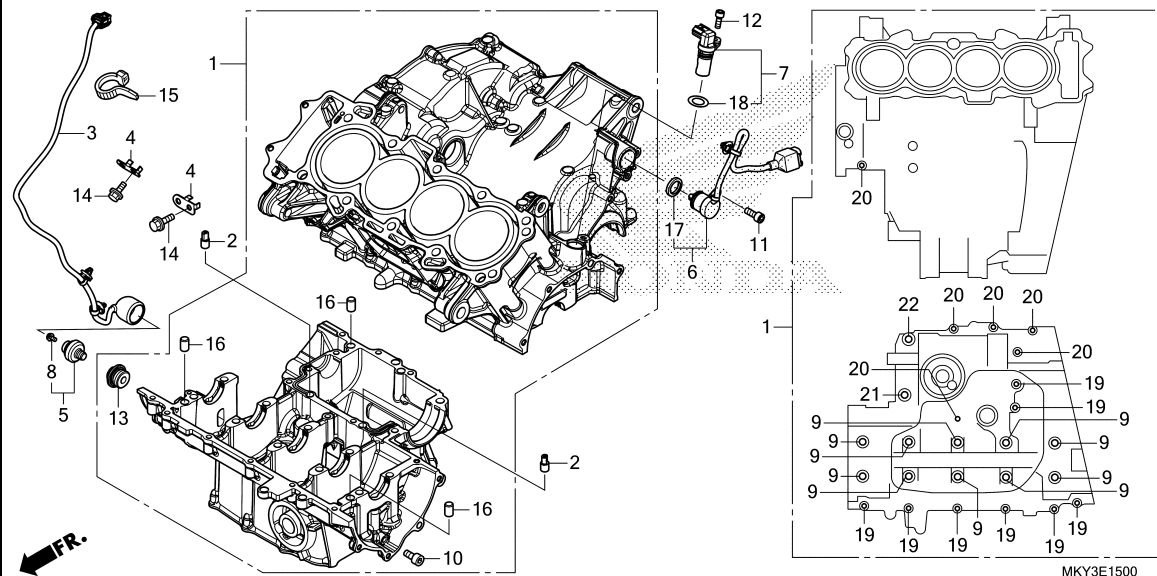
Ref. No.	L.O.N.	(Relative ref. Number) Description	F.R.T.
1	110105	CRANKCASE SETINCLUDES: Engine removal and installation	9.8
3	6111U7 6111AC	SUB HARNESS, OIL PRESSURE SUB HARNESS, OIL PRESSURE(A) .	0.5 0.7
5	615160 6151H4	SWITCH, OIL PRESSURE SWITCH, OIL PRESSURE(A)	0.2 0.4
6	615125	SWITCH, GEAR CHANGE	0.3
7	6171J9	(18) SENSOR, CRANK	0.2

Ref. No.	Part No.	Description	Reqd. QTY						Serial No.	Parts catalogue code
			CB 650RA			CBR 650RA				
			M	N	P	M	N	P		
1	11000-MKY-D10	CRANKCASE SET	1	1	1	1	1	1	-----	2ED,2FO,2GS,2KO,3ED,3FO,4ED,4FO,5ED,7ED,ED,FO,GS,KO
	11000-MKY-T10	1	1	1	1	1	1	-----	2IN,2MA,2PH,2RU,2U,2V,IN,MA,PH,RU,U,V
	11000-MKY-H10	1	1	-	1	1	-	-----	2CH,CH
2	11104-MJE-D00	ORIFICE, 1.2MM	2	2	2	2	2	2		
3	32102-MKN-D10	SUB HARNESS, OIL PRESSURE	1	1	1	1	1	1		
4	32159-MJE-D00	STAY, HARNESS CLIP	2	2	2	2	2	2		
5	35500-MEH-661	SWITCH ASSY., OIL PRESSURE (DENSO)	1	1	1	1	1	1		
6	35759-MKN-D12	SWITCH ASSY., CHANGE	1	1	1	1	1	1		
7	37500-MKT-D01	SENSOR ASSY., CRANK	1	1	-	1	1	-	-----	2CH,2ED,2FO,2KO,3ED,3FO,4ED,4FO,5ED,7ED,CH,ED,FO,KO
	37500-MKT-D02	-	-	1	-	-	1	-----	2ED,2FO,2GS,2KO,3ED,3FO,4ED,4FO,ED,GS,KO
8	90002-PA6-003	BOLT-WASHER, 4X8(DENSO)	1	1	1	1	1	1		
9	90004-MFG-D01	BOLT, UBS, 8X98	10	10	10	10	10	10		
10	90010-MEL-000	BOLT, SOCKET, 8X12	1	1	1	1	1	1		
11	90011-MGP-000	BOLT, SOCKET KNOCK, 6MM	1	1	1	1	1	1		
12	90017-GHB-640	BOLT, FLANGE, 6X18(NSHF)	1	1	1	1	1	1	-----	2CH,2ED,2FO,2GS,2KO,3ED,3FO,4ED,4FO,5ED,7ED,CH,ED,FO,GS,KO
13	90048-MFL-000	BOLT, SEALING, 22MM	1	1	1	1	1	1		
14	90101-MCZ-D00	BOLT, FLANGE, 6X14	2	2	2	2	2	2	-----	2CH,2ED,2FO,2GS,2IN,2KO,2MA,2PH,2RU,2U,2V,3ED,3FO,4ED,4FO,CH,ED,FO,GS,IN,KO,MA,PH,RU,U,V
	90006-GHB-620	BOLT, FLANGE, 6X14(NSHF)	2	-	-	-	-	-	-----	5ED,7ED
15	90651-KV6-003	BAND, WIRE, 165MM(BLACK)	1	1	1	1	1	1		
16	90701-MV9-670	DOWEL PIN, 10X16	3	3	3	3	3	3		
17	91305-KC1-850	O-RING, 16.5X2.5	1	1	1	1	1	1		
18	91333-PNC-006	O-RING	1	1	1	1	1	1	-----	2CH,2ED,2FO,2GS,2KO,3ED,3FO,4ED,4FO,5ED,7ED,CH,ED,FO,GS,KO



E-15

CRANKCASE

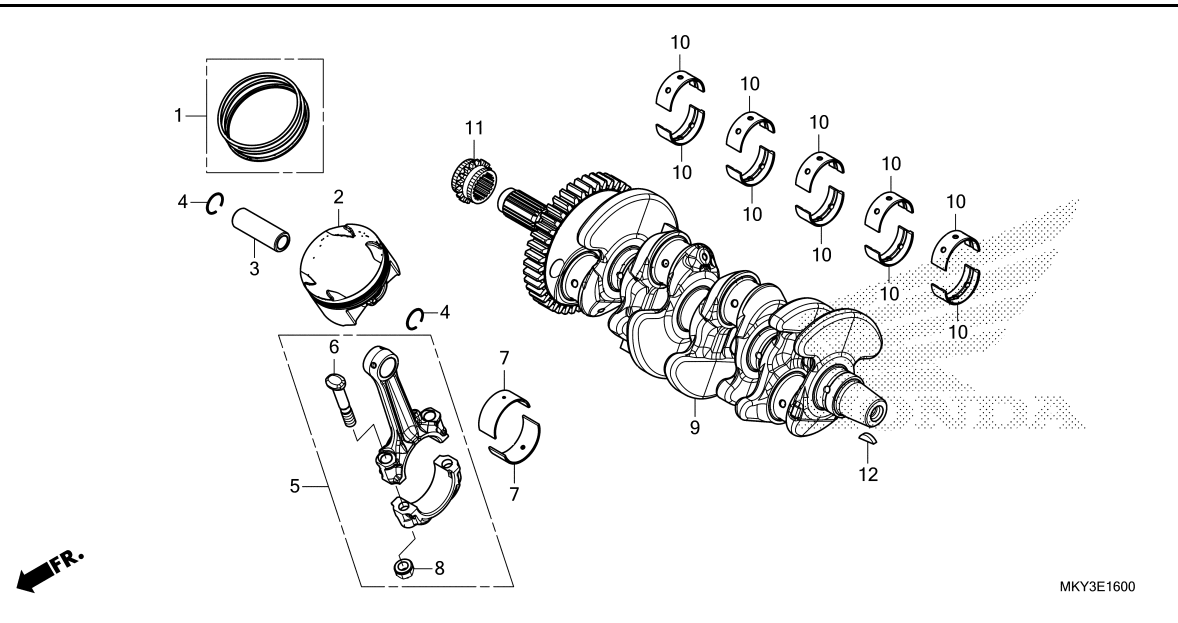


Ref. No.	Part No.	Description	Reqd. QTY						Serial No.	Parts catalogue code
			CB 650RA			CBR 650RA				
			M	N	P	M	N	P		
19	95701-06035-00	BOLT, FLANGE, 6X35	8	8	8	8	8	8		
20	95701-06050-00	BOLT, FLANGE, 6X50	6	6	6	6	6	6		
21	95701-08045-00	BOLT, FLANGE, 8X45	1	1	1	1	1	1		
22	95701-10075-00	BOLT, FLANGE, 10X75	1	1	1	1	1	1		

2

E-16

CRANKSHAFT/PISTON



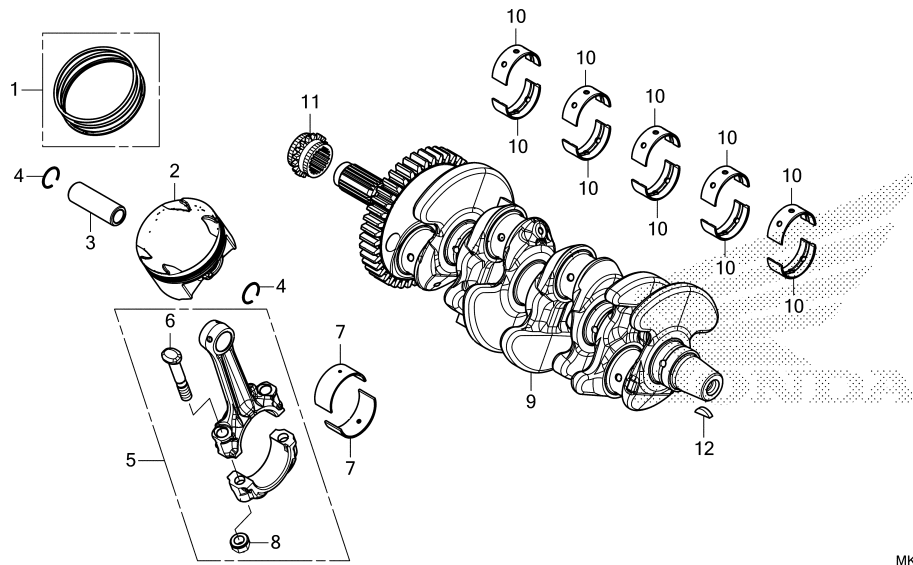
Ref. No.	L.O.N.	(Relative ref. Number) Description	F.R.T.
2		(1,3,4,5,7)	
1111T9		PISTON AND/OR RING SET AND/OR BEARING AND/OR ROD	8.3
		.INCLUDES: Engine removal and installation	
		.INCLUDES: Inspection/Measurement/Cleaning	
1111T9B		.With 1 cylinder add	0.4
1111T9C		.With 2 cylinder add	0.8
1111X9		PISTON AND/OR RING SET AND/OR BEARING AND/OR ROD	
		:FOR 1 VEHICLE	9.5
		.INCLUDES: Engine removal and installation	
		.INCLUDES: Inspection/Measurement/Cleaning	
9	1101B5	CRANKSHAFT	9.8
		.INCLUDES: Engine removal and installation	
10	110125	BEARING, CRANKSHAFT	9.0
		.INCLUDES: Engine removal and installation	
		.NOTE: Same time for two units or more	
+11	1101C8	SPROCKET, TIMING	3.1

Ref. No.	Part No.	Description	Reqd. QTY						Serial No.	Parts catalogue code
			CB 650RA			CBR 650RA				
			M	N	P	M	N	P		
1	13011-MJE-315	RING SET, PISTON(STD.)	4	4	4	4	4	4		
	13021-MJE-315	RING SET, PISTON(O.S. 0.25) ..	(4)	(4)	(4)	(4)	(4)	(4)		
2	13101-MKN-D10	PISTON(STD.)	4	4	4	4	4	4		
	13102-MKN-305	PISTON(O.S. 0.25)	(4)	(4)	(4)	(4)	(4)	(4)		
	13101-MKN-P00	PISTON(STD.)	4	4	4	-	-	-		
	13102-MKN-P00	PISTON(O.S. 0.25)	(4)	(4)	(4)	-	-	-		
3	13111-MFG-D00	PIN, PISTON	4	4	4	4	4	4		
4	13112-MEE-000	CLIP, PISTON PIN, 16MM	8	8	8	8	8	8		
5	13210-MKY-D10	ROD ASSY., CONNECTING	4	4	4	4	4	4		
6	13213-ML7-020	BOLT, CONNECTING ROD	8	8	8	8	8	8		
7	13214-MJE-D01	BEARING A, CONNECTING ROD								
		(BLUE)	8	8	8	8	8	8		
	13215-MJE-D01	BEARING B, CONNECTING ROD								
		(BLACK)	8	8	8	8	8	8		
	13216-MJE-D01	BEARING C, CONNECTING ROD								
		(BROWN)	8	8	8	8	8	8		
	13217-MJE-D01	BEARING D, CONNECTING ROD								
		(GREEN)	8	8	8	8	8	8		
	13218-MJE-D01	BEARING E, CONNECTING ROD								
		(YELLOW)	8	8	8	8	8	8		
8	13215-ML7-000	NUT, CONNECTING ROD	8	8	8	8	8	8		
9	13310-MJE-D00	CRANKSHAFT COMP.	1	1	1	1	1	1		
10	13313-MW0-003	BEARING A, CRANKSHAFT(BLACK) ..	10	10	10	10	10	10		
	13314-MW0-003	BEARING B, CRANKSHAFT(BROWN) ..	10	10	10	10	10	10		
	13315-MW0-003	BEARING C, CRANKSHAFT(GREEN) ..	10	10	10	10	10	10		
	13316-MW0-003	BEARING D, CRANKSHAFT(YELLOW) ..	10	10	10	10	10	10		
	13317-MW0-003	BEARING E, CRANKSHAFT(PINK) ..	10	10	10	10	10	10		



E-16

CRANKSHAFT/PISTON



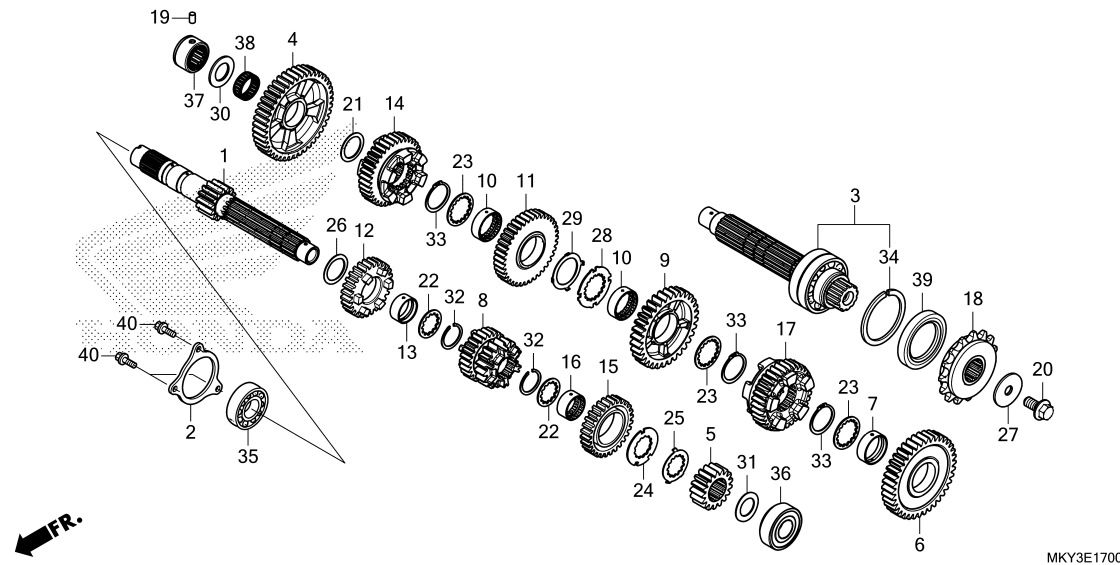
Ref. No.	L.O.N.	(Relative ref. Number) Description	F.R.T.
+11	1101P9	SPROCKET, TIMING(A)NOTE: With middle cowling	3.5

Ref. No.	Part No.	Description	Reqd. QTY						Serial No.	Parts catalogue code
			CB 650RA			CBR 650RA				
			M	N	P	M	N	P		
11	14312-MKN-D10	SPROCKET, TIMING(17T).....	1	1	1	1	1	1		
12	90701-HB6-010	KEY, WOODRUFF, 25X14X4.....	1	1	1	1	1	1		

2

E-17

TRANSMISSION



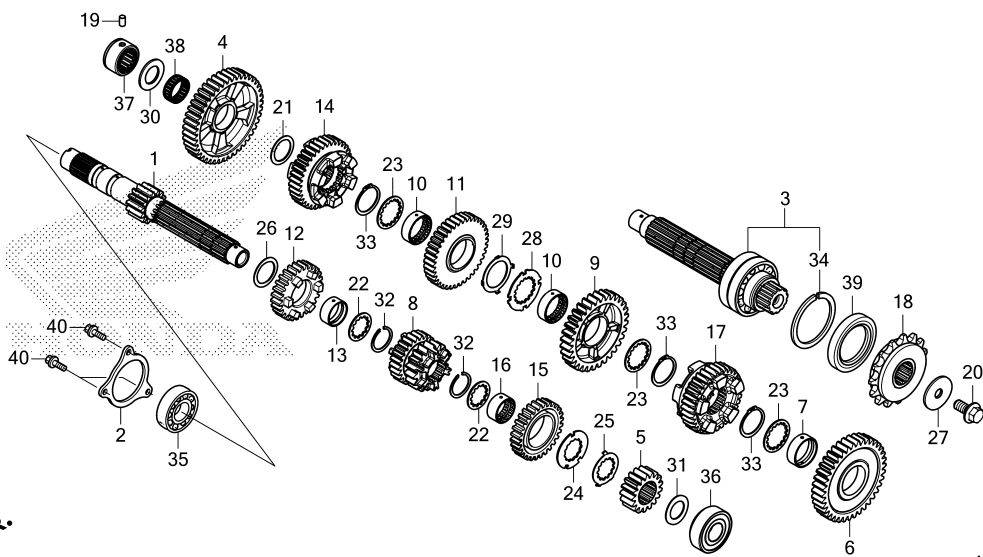
Ref. No.	L.O.N.	(Relative ref. Number) Description	F.R.T.
1		(5,8,12,15)	
210141		MAINSHAFT, TRANSMISSIONINCLUDES: Engine removal and installation	8.1
210141A		.Replace countershaft add	0.2
3		(4,6,9,11,14,17,38)	
210142		COUNTERSHAFT, TRANSMISSIONINCLUDES: Engine removal and installation	8.0
210142A		.Replace mainshaft add	0.3
18	213135	SPROCKET, DRIVE	0.3
35	2101C5	BEARING, MAINSHAFT :RIGHTINCLUDES: Engine removal and installation	7.9
36	2101C2	BEARING, MAINSHAFT :LEFTINCLUDES: Engine removal and installation	8.1
	2101C6	BEARING, MAINSHAFT :BOTHINCLUDES: Engine removal and installation	8.1
37	2101C8	BEARING, COUNTERSHAFT :RIGHT . .INCLUDES: Engine removal and installation	7.8
+	2101D4	BEARING, MAINSHAFT AND COUNTERSHAFT :ALL	8.1

Ref. No.	Part No.	Description	Reqd. QTY						Serial No.	Parts catalogue code
			CB 650RA			CBR 650RA				
			M	N	P	M	N	P		
1	23211-MJE-D00	MAINSHAFT(14T)	1	1	1	1	1	1		
2	23212-MJE-D00	PLATE, BEARING SETTING	1	1	1	1	1	1		
3	23220-MJE-D00	COUNTERSHAFT COMP.	1	1	1	1	1	1		
4	23421-MJE-DB0	GEAR, COUNTERSHAFT FIRST(43T)	1	1	1	1	1	1		
5	23431-MJE-DB0	GEAR, MAINSHAFT SECOND(17T) ..	1	1	1	1	1	1		
6	23441-MJE-DB0	GEAR, COUNTERSHAFT SECOND(40T)	1	1	1	1	1	1		
7	23442-MS2-610	COLLAR, 30X11.2	1	1	1	1	1	1		
8	23451-MKN-D10	GEAR, MAINSHAFT THIRD & FOURTH (18T/25T)	1	1	1	1	1	1		
9	23461-MKY-D10	GEAR, COUNTERSHAFT THIRD(34T)	1	1	1	1	1	1		
10	23462-MAT-000	COLLAR, SPLINE, 30X11	2	2	2	2	2	2		
11	23481-MJE-DB0	GEAR, COUNTERSHAFT FOURTH(39T)	1	1	1	1	1	1		
12	23491-MKN-D10	GEAR, MAINSHAFT FIFTH(27T) ...	1	1	1	1	1	1		
13	23492-MGZ-J00	COLLAR, 25X28X12	1	1	1	1	1	1		
14	23501-MKN-D10	GEAR, COUNTERSHAFT FIFTH(37T)	1	1	1	1	1	1		
15	23511-MKN-D10	GEAR, MAINSHAFT SIXTH(28T) ...	1	1	1	1	1	1		
16	23512-MV9-670	COLLAR, SPLINE, 25X28X13	1	1	1	1	1	1		
17	23521-MJE-DB0	GEAR, COUNTERSHAFT SIXTH(34T)	1	1	1	1	1	1		
18	23801-MKN-D10	SPROCKET COMP., DRIVE(15T) ...	1	1	1	1	1	1		
19	24261-283-000	PIN, GEARSHIFT FORK GUIDE ...	1	1	1	1	1	1		
20	90037-422-003	BOLT, SPECIAL, 10MM	1	1	1	1	1	1		
21	90402-HA5-000	WASHER, THRUST, 24MM	1	1	1	1	1	1		
22	90451-KY2-000	WASHER, SPLINE, 25X31X1.5	2	2	2	2	2	2		
23	90452-MAT-000	WASHER, SPLINE, 30X36X1.5	3	3	3	3	3	3		
24	90454-KYJ-900	WASHER, SPLINE, 25X42X1.6	1	1	1	1	1	1		



E-17

TRANSMISSION



MKY3E1700

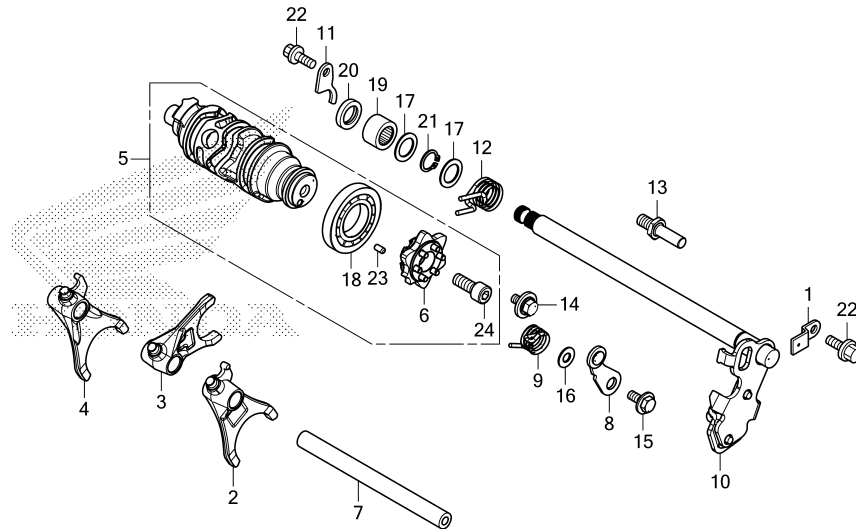
Ref. No.	L.O.N.	(Relative ref. Number) Description	F.R.T.
+37		.INCLUDES: Engine removal and installation	
39	2101G7	OIL SEAL, COUNTERSHAFT :LEFT .INCLUDES: Engine removal and installation	7.8

Ref. No.	Part No.	Description	Reqd. QTY						Serial No.	Parts catalogue code
			CB 650RA			CBR 650RA				
			M	N	P	M	N	P		
25	90455-KYJ-900	WASHER, LOCK, 25MM	1	1	1	1	1	1		
26	90456-MA6-000	WASHER, THRUST, 25MM	1	1	1	1	1	1		
27	90459-438-000	WASHER, 10.2MM	1	1	1	1	1	1		
28	90463-MAT-000	WASHER, SPLINE, 30MM	1	1	1	1	1	1		
29	90464-MAT-000	WASHER, LOCK, 30MM	1	1	1	1	1	1		
30	90469-759-000	SHIM J, FINAL REDUCTION THIRD GEAR(2.0MM)	1	1	1	1	1	1		
31	90554-MEL-000	WASHER, THRUST, 20MM	1	1	1	1	1	1		
32	90601-107-000	CIRCLIP, 25MM	2	2	2	2	2	2		
33	90604-MM5-000	CIRCLIP, 30MM	3	3	3	3	3	3		
34	90606-MM5-000	RING, SNAP, 62MM	1	1	1	1	1	1		
35	91001-MKY-D11	BEARING, BALL RADIAL, 6305(C3)	1	1	1	1	1	1		
	91004-MFJ-D01	BEARING, BALL, 6305	1	-	-	-	-	-	-----	----- 2CH, 2ED, 2FO, 2GS, 2IN, 2KO, 2MA, 2PH, 2RU, 2U, 2V, 3ED, 3FO, 4ED 4FO, CH, ED, FO, GS, IN, KO, MA, PH, RU, U, V 5ED, 7ED
36	91006-MGS-D31	BEARING, RADIAL BALL, 6204U	1	1	1	1	1	1		
37	91022-MJE-DB1	BEARING, NEEDLE, 20MM(NTN)	1	1	1	1	1	1		
38	91026-MJE-D01	BEARING, NEEDLE, 24X28X10	1	1	1	1	1	1		
39	91207-MAL-601	OIL SEAL, 40X62X8.4	1	1	1	1	1	1		
40	95701-06014-00	BOLT, FLANGE, 6X14	3	3	3	3	3	3		

2

E-19

GEARSHIFT DRUM



MKY3E1900

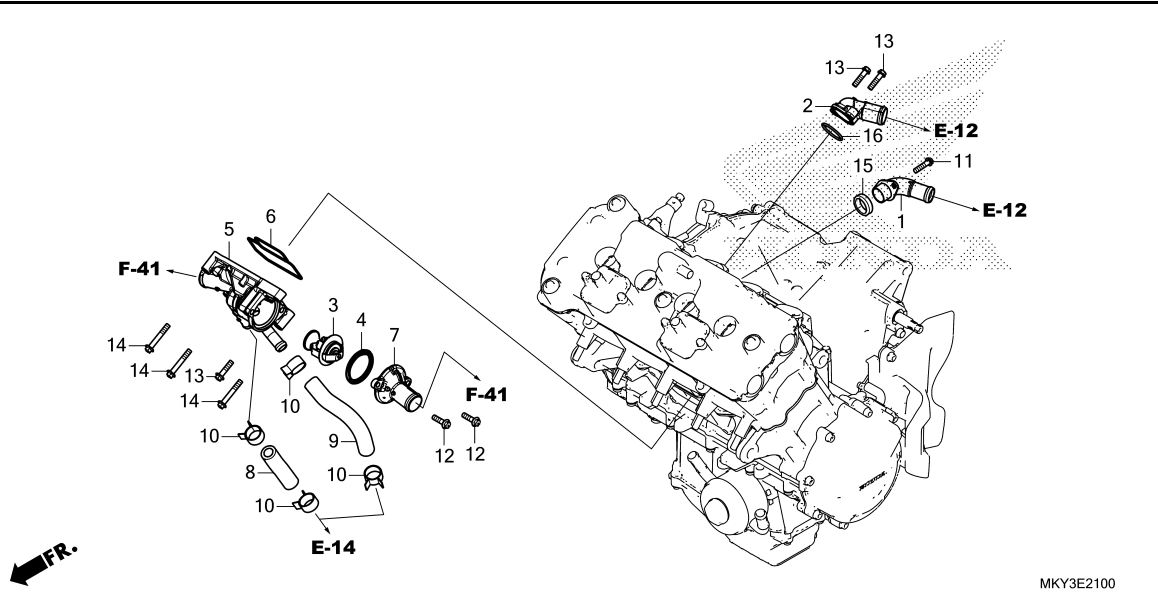
Ref. No.	L.O.N.	(Relative ref. Number) Description	F.R.T.
2		(3,4) 210112 FORK, GEARSHIFT	7.9
		.INCLUDES: Engine removal and installation .NOTE: Same time for two units or more	
5		2101A9 DRUM, GEARSHIFT	7.9
		.INCLUDES: Engine removal and installation	
6		2101B2 CENTER, GEARSHIFT DRUM	0.8
		2101R7 CENTER, GEARSHIFT DRUM(A)	1.0
		.NOTE: With middle cowling	
8		210125 STOPPER OR SPRING, SHIFT DRUM (9)	0.8
		2101P6 STOPPER OR SPRING, SHIFT DRUM (A)	1.0
		.NOTE: With middle cowling	
10		210122 SPINDLE, GEARSHIFT	0.8
		2101P7 SPINDLE, GEARSHIFT(A)	1.0
		.NOTE: With middle cowling	
20		1101F9 OIL SEAL, GEARSHIFT SPINDLE ..	0.8
		1101S1 OIL SEAL, GEARSHIFT SPINDLE(A) ..	1.0
		.NOTE: With middle cowling	

Ref. No.	Part No.	Description	Reqd. QTY						Serial No.	Parts catalogue code
			CB 650RA			CBR 650RA				
			M	N	P	M	N	P		
1	14623-MV1-000	PLATE, TENSIONER SETTING	1	1	1	1	1	1		
2	24211-MKY-D10	FORK, R. GEARSHIFT	1	1	1	1	1	1		
3	24212-MKY-D10	FORK C, GEARSHIFT	1	1	1	1	1	1		
4	24213-MKY-D10	FORK, L. GEARSHIFT	1	1	1	1	1	1		
5	24310-MKN-D10	DRUM COMP., GEARSHIFT	1	1	1	1	1	1		
6	24315-MGZ-J00	CENTER COMP., SHIFT DRUM	1	1	1	1	1	1		
7	24321-MAS-000	SHAFT, GEARSHIFT FORK	1	1	1	1	1	1		
8	24430-MJP-G50	STOPPER COMP., GEARSHIFT DRUM	1	1	1	1	1	1		
9	24435-MKN-D10	SPRING, GEARSHIFT DRUM STOPPER	1	1	1	1	1	1		
10	24610-MJE-D00	SPINDLE COMP., GEARSHIFT	1	1	1	1	1	1		
11	24612-MAL-600	PLATE, SPINDLE	1	1	1	1	1	1		
12	24651-MAE-000	SPRING, SHIFT RETURN	1	1	1	1	1	1		
13	24652-MGZ-J00	PIN, SHIFT RETURN SPRING	1	1	1	1	1	1		
14	90021-MGZ-J00	BOLT-WASHER, 6X12	2	2	2	2	2	2	-----	2CH, 2ED, 2FO, 2GS, 2IN, 2KO, 2MA, 2PH, 2RU, 2U, 2V, 3ED, 3FO, 4ED, 4FO, CH, ED, FO, GS, IN, KO, MA, PH, RU, U, V
	90021-MM5-000	2	-	-	-	-	-	-----	5ED, 7ED
15	90023-MGZ-J00	PIVOT, SHIFT DRUM STOPPER ARM	1	1	1	1	1	1		
16	90417-360-000	WASHER, DRUM STOPPER	1	1	1	1	1	1		
17	90451-155-000	WASHER, 14MM	2	2	2	2	2	2		
18	91008-MFJ-D01	BEARING, SPECIAL BALL, 6500 ..	1	1	1	1	1	1		
19	91106-MCF-003	BEARING, NEEDLE, 14X22X16	1	1	1	1	1	1		
20	91203-KSP-911	OIL SEAL, 14X22X5(ARAI)	1	1	1	1	1	1		
21	94510-14000	CIRCLIP, EXTERNAL, 14MM	1	1	1	1	1	1		
22	95701-06014-00	BOLT, FLANGE, 6X14	2	2	2	2	2	2		
23	96220-40080	ROLLER, 4X8	1	1	1	1	1	1		
24	96600-08020-10	BOLT, SOCKET, 8X20	1	1	1	1	1	1		



E-21

THERMOSTAT



Ref. No.	L.O.N.	(Relative ref. Number) Description	F.R.T.
1		(15)	
	1141D8	JOINT A, WATER	2.0
	1141R7	JOINT A, WATER(A)	2.2
		.NOTE: With middle cowling	
2		(16)	
	1141D9	JOINT B, WATER	2.0
	1141R8	JOINT B, WATER(A)	2.2
		.NOTE: With middle cowling	
3		(4)	
	114116	THERMOSTAT	0.6
	1141K2	THERMOSTAT(A)	1.0
		.NOTE: With middle cowling	
5		(6)	
	114117	CASE, THERMOSTAT	1.2
	1141K1	CASE, THERMOSTAT(A)	1.6
		.NOTE: With middle cowling	
7		(6)	
	1141B3	COVER, THERMOSTAT	0.6
	1141K3	COVER, THERMOSTAT(A)	1.0
		.NOTE: With middle cowling	
8		(6)	
	114132	HOSE C, WATER	1.2
	1141J5	HOSE C, WATER(A)	1.6
		.NOTE: With middle cowling	
9		(6)	
	114133	HOSE D, WATER	0.5
	1141J3	HOSE D, WATER(A)	0.9
		.NOTE: With middle cowling	

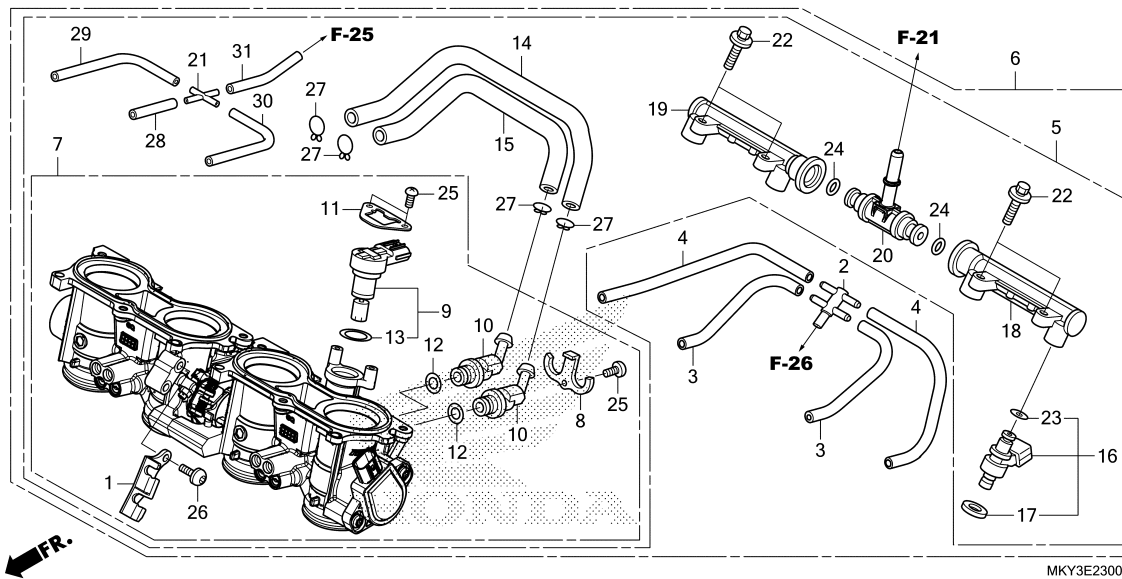
MKY3E2100

Ref. No.	Part No.	Description	Reqd. QTY						Serial No.	Parts catalogue code
			CB 650RA			CBR 650RA				
			M	N	P	M	N	P		
1	19060-MJE-D00	JOINT COMP., WATER	1	1	1	1	1	1		
2	19063-MJE-D00	JOINT, WATER	1	1	1	1	1	1		
3	19300-MCJ-003	THERMOSTAT(FUJI BELLOWS)	1	1	1	1	1	1		
4	19305-MGZ-J01	RUBBER, THERMOSTAT	1	1	1	1	1	1		
5	19310-MJE-DB0	CASE COMP., THERMOSTAT	1	1	1	1	1	1		
6	19312-MJE-D00	GASKET, THERMOSTAT CASE	1	1	1	1	1	1		
7	19315-MJE-DB0	COVER, THERMOSTAT	1	1	1	1	1	1		
8	19527-MJE-D00	HOSE C, WATER	1	1	1	1	1	1		
9	19528-MJE-D00	HOSE D, WATER	1	1	1	1	1	1		
10	19535-MGZ-J00	CLIP, WATER HOSE(D21)	4	4	4	4	4	4		
11	90005-MGZ-J00	BOLT, FLANGE, 6X14(NSHF)	2	2	2	2	2	2	-----	2CH, 2ED, 2FO, 2GS, 2IN, 2KO, 2MA, 2PH, 2RU, 2U, 2V, 3ED, 3FO, 4ED 4FO, CH, ED, FO, GS, IN, KO, MA, PH, RU, U, V 5ED, 7ED
	90006-GHB-620	2	-	-	-	-	-	-----	5ED, 7ED
12	90011-KYJ-900	BOLT, FLANGE, 6X22(NSHF)	2	2	2	2	2	2		
13	90012-KYJ-900	BOLT, FLANGE, 6X25(NSHF)	3	3	3	3	3	3	-----	2CH, 2ED, 2FO, 2GS, 2IN, 2KO, 2MA, 2PH, 2RU, 2U, 2V, 3ED, 3FO, 4ED 4FO, CH, ED, FO, GS, IN, KO, MA, PH, RU, U, V 5ED, 7ED
	90006-GHB-670	3	-	-	-	-	-	-----	5ED, 7ED
14	90014-KYJ-900	BOLT, FLANGE, 6X40(NSHF)	3	3	3	3	3	3	-----	2CH, 2ED, 2FO, 2GS, 2IN, 2KO, 2MA, 2PH, 2RU, 2U, 2V, 3ED, 3FO, 4ED 4FO, CH, ED, FO, GS, IN, KO, MA, PH, RU, U, V 5ED, 7ED
	90006-GHB-710	3	-	-	-	-	-	-----	5ED, 7ED
15	91315-MB0-013	SEAL, WATER PIPE	1	1	1	1	1	1		
16	91356-425-003	O-RING, 30MM	1	1	1	1	1	1		

2

E-23

THROTTLE BODY



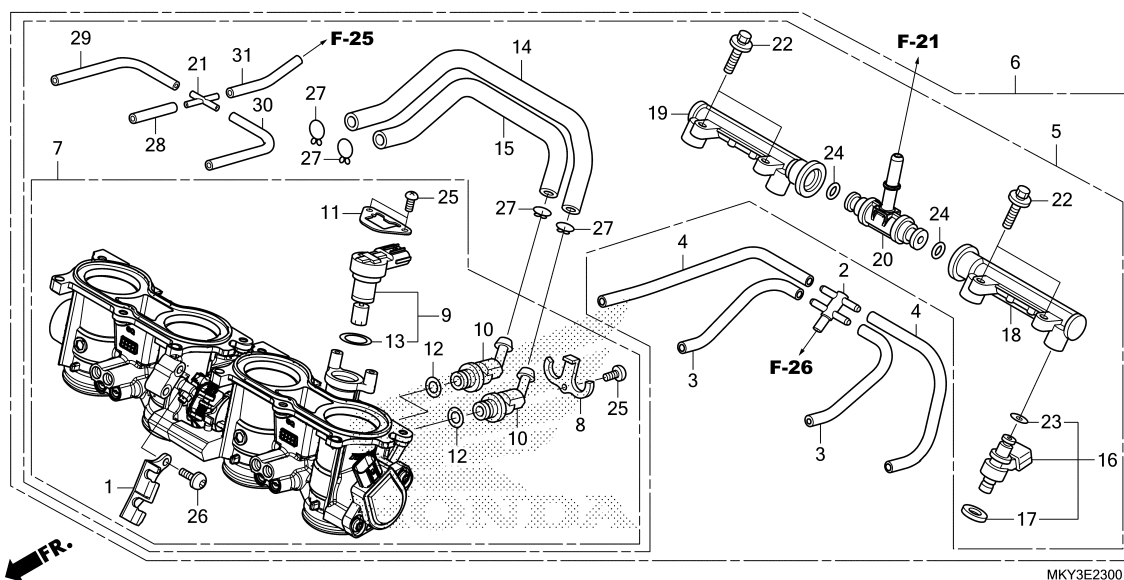
Ref. No.	L.O.N.	(Relative ref. Number) Description	F.R.T.
6	(5)		
	311132	BODY ASSY., THROTTLE	1.6
	3111M8	BODY ASSY., THROTTLE(A)	1.8
		.NOTE: With middle cowling	
7	311130	BODY, THROTTLE	1.7
	3111S2	BODY, THROTTLE(A)	1.9
		.NOTE: With middle cowling	
9	(13)		
	3111N5	VALVE, IDLE AIR CONTROL	1.2
	3111S6	VALVE, IDLE AIR CONTROL(A) ...	1.4
		.NOTE: With middle cowling	
16	(17,23)		
	311145	INJECTOR, FUEL	1.5
		.NOTE: Same time for two units or more	
	3111S1	INJECTOR, FUEL(A)	1.7
		.NOTE: Same time for two units or more	
		.NOTE: With middle cowling	
18	(24)		
	3111C4	PIPE, FUEL :LEFT	1.4
	3111Q6	PIPE, FUEL(A) :LEFT	1.6
		.NOTE: With middle cowling	
		(24)	
+	3111C5	PIPE, FUEL :RIGHT	1.4

Ref. No.	Part No.	Description	Reqd. QTY						Serial No.	Parts catalogue code
			CB 650RA			CBR 650RA				
			M	N	P	M	N	P		
1	16169-MEE-013	STAY, WIRE	1	1	1	1	1	1		
2	16180-ME5-761	T-JOINT	1	1	1	1	1	1	-----	
3	16196-MBW-L11	TUBE	2	2	2	2	2	2	-----	
4	16197-MFJ-L01	TUBE	2	2	2	2	2	2	-----	
5	16400-MKN-M11	BODY ASSY., THROTTLE(GQ8KB A)	1	1	1	1	1	1	-----	
6	16400-MKY-D11	BODY ASSY., THROTTLE(GQ8LA A)	1	1	1	1	1	1	-----	
	16400-MKN-D11	BODY ASSY., THROTTLE(GQ8KA A)	-	-	1	-	-	1	-----	
7	16401-MKY-D11	BODY ASSY., THROTTLE	1	1	1	1	1	1	-----	
	16401-MKN-M11	1	1	1	1	1	1	-----	
	16401-MKN-D11	-	-	1	-	-	1	-----	
8	16431-MFJ-D01	PLATE, JOINT	1	1	1	1	1	1	-----	
9	16431-MJP-G51	MOTOR ASSY.	1	1	1	1	1	1	-----	
10	16432-MFJ-D01	JOINT, IDLE AIR CONTROL VALVE	2	2	2	2	2	2	-----	
11	16433-MEW-921	PLATE, IDLE AIR CONTROL VALVE	1	1	1	1	1	1	-----	
12	16434-MFJ-D01	O-RING	2	2	2	2	2	2	-----	
13	16435-MFJ-D01	O-RING, 17.8X1.9	1	1	1	1	1	1	-----	
14	16440-MJE-D01	TUBE(A)	1	1	1	1	1	1	-----	
15	16441-MJE-D01	TUBE(B)	1	1	1	1	1	1	-----	
16	16450-MJE-D01	INJECTOR ASSY., FUEL	4	4	4	4	4	4	-----	
17	16472-KPC-D50	RING, SEAL	4	4	4	4	4	4	-----	
18	16610-MGC-D21	PIPE, FUEL(A)	1	1	1	1	1	1	-----	



E-23

THROTTLE BODY



Ref. No.	L.O.N.	(Relative ref. Number) Description	F.R.T.
+19	3111Q7	PIPE, FUEL(A) :RIGHTNOTE: With middle cowling	1.6
	3111C8	PIPE, FUEL :BOTH	1.4
	3111Q8	PIPE, FUEL(A) :BOTHNOTE: With middle cowling	1.6
20		(24)	
	3111C3	PIPE, FUEL FEED	1.4
	3111W0	PIPE, FUEL FEED(A)NOTE: With middle cowling	1.6

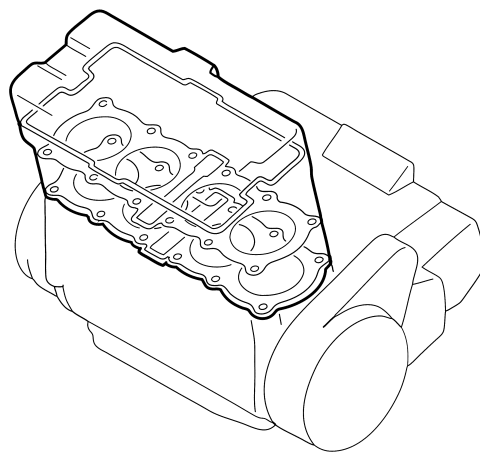
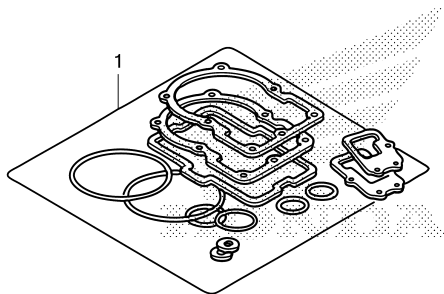
MKY3E2300

Ref. No.	Part No.	Description	Reqd. QTY						Serial No.	Parts catalogue code
			CB 650RA			CBR 650RA				
			M	N	P	M	N	P		
19	16620-MGC-D21	PIPE, FUEL(B)	1	1	1	1	1	1		
20	16630-MFJ-D00	T-JOINT, FUEL	1	1	1	1	1	1		
21	17201-MCZ-003	JOINT, FOUR WAY	1	1	1	1	1	1		
22	90021-MGZ-D02	BOLT, SHOULDER	4	4	4	4	4	4		
23	91301-GGL-J01	O-RING, 6.3X2.2	4	4	4	4	4	4		
24	91301-PLC-000	O-RING, 7.47X3.6	2	2	2	2	2	2		
25	93500-04008-1H	SCREW, PAN, 4X8	3	3	3	3	3	3		
26	93892-05012-18	SCREW-WASHER, 5X12	2	2	2	2	2	2		
27	95002-02139	CLIP, TUBE(B12.5)	4	4	4	4	4	4		
28	95005-35055-20	TUBE, 3.5X55(95005-35001-20M)	1	1	1	1	1	1		
29	95005-35095-20	TUBE, 3.5X95(95005-35001-20M)	1	1	1	1	1	1		
30	95005-35125-20	TUBE, 3.5X125(95005-35001-20M)	1	1	1	1	1	1		
31	95005-35140-20	TUBE, 3.5X140(95005-35001-20M)	1	1	1	1	1	1		

2

EOP-1

GASKET KIT A



MKY3X0100

FR.

Ref. L.O.N. (Relative ref. Number) F.R.T.
No. Description

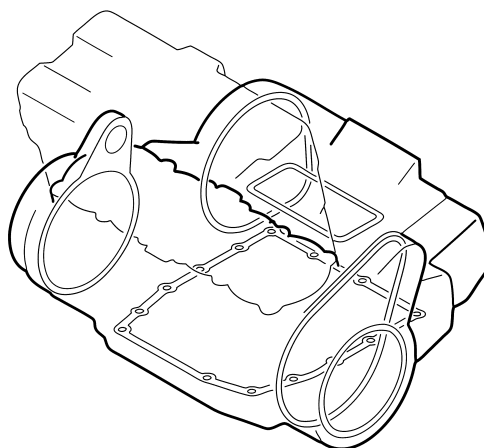
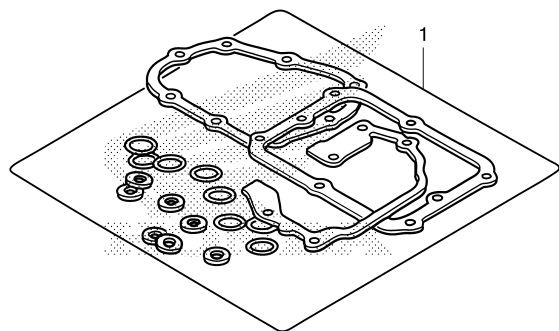
NO INFORMATION

Ref. No.	Part No.	Description	Reqd. QTY						Serial No.	Parts catalogue code
			CB 650RA			CBR 650RA				
			M	N	P	M	N	P		
1	06111-MKY-D10	GASKET KIT A.....	1	1	-	1	1	-	-----	2ED,2U,3ED,4ED,5ED,7ED,ED,U
	12251-MJE-D01	GASKET, CYLINDER HEAD.....	1	1	-	1	1	-	-----	2ED,2U,3ED,4ED,5ED,7ED,ED,U
	12391-MJE-D00	GASKET COMP., CYLINDER HEAD COVER	1	1	-	1	1	-	-----	2ED,2U,3ED,4ED,5ED,7ED,ED,U
	12395-MBW-003	GASKET, PLUG HOLE.....	4	4	-	4	4	-	-----	2ED,2U,3ED,4ED,5ED,7ED,ED,U
	14523-MJE-D00	GASKET, TENSIONER HOLE.....	1	1	-	1	1	-	-----	2ED,2U,3ED,4ED,5ED,7ED,ED,U
	18291-MN4-920	GASKET, EX. PIPE.....	4	4	-	4	4	-	-----	2ED,2U,3ED,4ED,5ED,7ED,ED,U
	19305-MGZ-J01	RUBBER, THERMOSTAT.....	1	1	-	1	1	-	-----	2ED,2U,3ED,4ED,5ED,7ED,ED,U
	19312-MJE-D00	GASKET, THERMOSTAT CASE.....	1	1	-	1	1	-	-----	2ED,2U,3ED,4ED,5ED,7ED,ED,U
	90442-397-000	WASHER, SEALING, 6MM.....	1	1	-	1	1	-	-----	2ED,2U,3ED,4ED,5ED,7ED,ED,U
	90463-ML7-000	WASHER, SEALING, 6.5MM.....	8	8	-	8	8	-	-----	2ED,2U,3ED,4ED,5ED,7ED,ED,U
	90543-MV9-670	RUBBER, MOUNTING.....	4	4	-	4	4	-	-----	2ED,2U,3ED,4ED,5ED,7ED,ED,U
	90544-439-930	PACKING(SHOWA).....	1	1	-	1	1	-	-----	2ED,2U,3ED,4ED,5ED,7ED,ED,U
	91307-PLC-004	O-RING, 9.5X1.9(PANASONIC)...	1	1	-	1	1	-	-----	2ED,2U,3ED,4ED,5ED,7ED,ED,U

2

EOP-2

GASKET KIT B



MKY3X0200

FR.

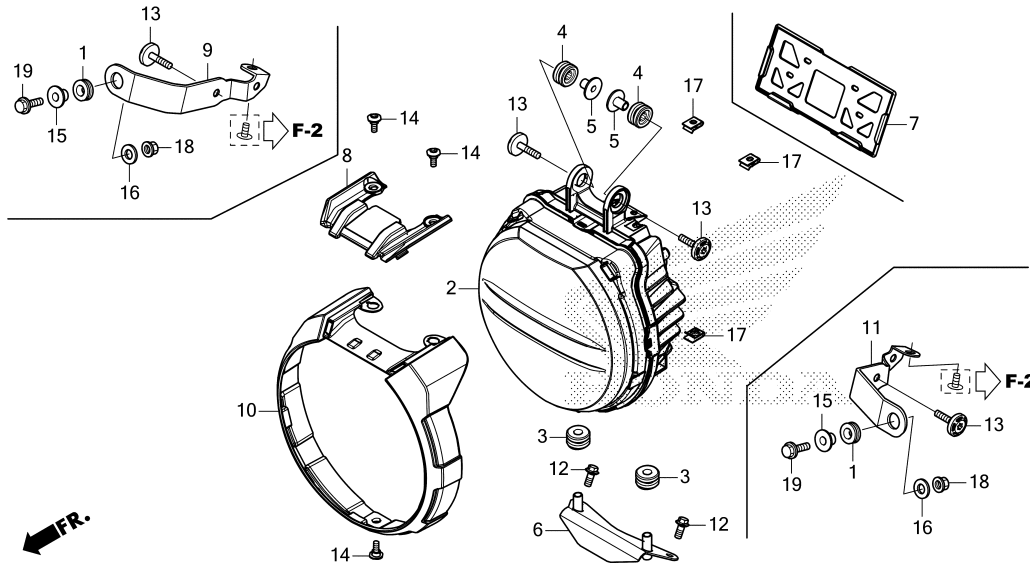
Ref. No. L.O.N. (Relative ref. Number) Description F.R.T.
NO INFORMATION

Ref. No.	Part No.	Description	Reqd. QTY						Serial No.	Parts catalogue code
			CB 650RA			CBR 650RA				
			M	N	P	M	N	P		
1	06112-MKY-D10	GASKET KIT B.....	1	1	-	1	1	-	-----	2ED,2U,3ED,4ED,5ED,7ED,ED,U
	15154-MAT-000	PACKING, OIL STRAINER.....	1	1	-	1	1	-	-----	2ED,2U,3ED,4ED,5ED,7ED,ED,U
	90402-MFJ-D01	WASHER, SEALING, 34.5MM.....	1	1	-	1	1	-	-----	2ED,2U,3ED,4ED,5ED,7ED,ED,U
	91301-ML7-003	O-RING, 48.1X3.6(ARAI).....	1	1	-	1	1	-	-----	2ED,2U,3ED,4ED,5ED,7ED,ED,U
	91301-PC0-003	O-RING, 13.8X1.9.....	1	1	-	1	1	-	-----	2ED,2U,3ED,4ED,5ED,7ED,ED,U
	91302-MB0-013	O-RING, 32.95X2.62(ARAI).....	1	1	-	1	1	-	-----	2ED,2U,3ED,4ED,5ED,7ED,ED,U
	91305-KC1-850	O-RING, 16.5X2.5.....	1	1	-	1	1	-	-----	2ED,2U,3ED,4ED,5ED,7ED,ED,U
	91307-KF0-003	O-RING, 18X3(ARAI).....	1	1	-	1	1	-	-----	2ED,2U,3ED,4ED,5ED,7ED,ED,U
	91309-425-003	O-RING, 24.4X3.1(ARAI).....	1	1	-	1	1	-	-----	2ED,2U,3ED,4ED,5ED,7ED,ED,U
	91313-MB0-003	O-RING, 14.7X2.2(ARAI).....	1	1	-	1	1	-	-----	2ED,2U,3ED,4ED,5ED,7ED,ED,U
	91315-MB0-013	SEAL, WATER PIPE.....	1	1	-	1	1	-	-----	2ED,2U,3ED,4ED,5ED,7ED,ED,U
	91333-PNC-006	O-RING.....	1	1	-	1	1	-	-----	2ED,2U,3ED,4ED,5ED,7ED,ED,U
	91354-MEJ-641	O-RING, OIL COOLER.....	1	1	-	1	1	-	-----	2ED,2U,3ED,4ED,5ED,7ED,ED,U
	91356-425-003	O-RING, 30MM.....	1	1	-	1	1	-	-----	2ED,2U,3ED,4ED,5ED,7ED,ED,U
	94109-12000	WASHER, DRAIN PLUG, 12MM.....	1	1	-	1	1	-	-----	2ED,2U,3ED,4ED,5ED,7ED,ED,U

2

F-1

HEADLIGHT(CB650RA)



MKY3F0100

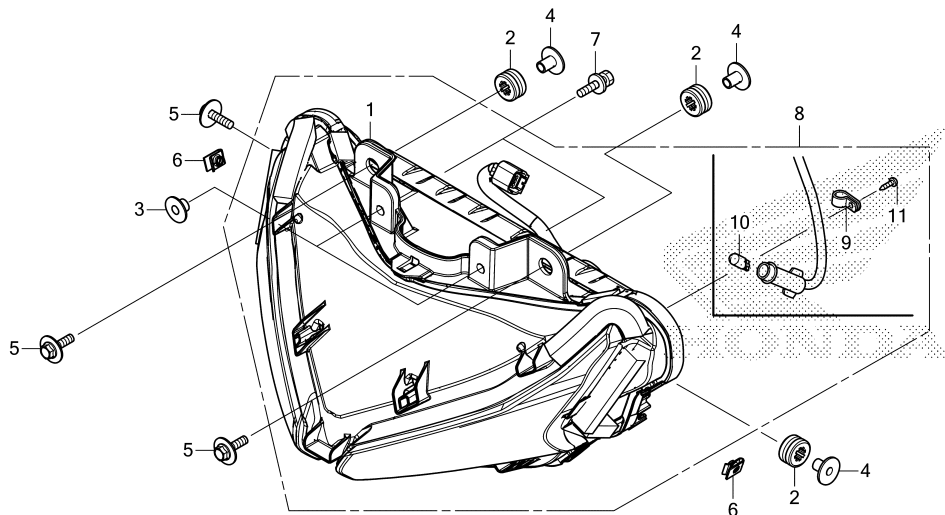
Ref. No.	L.O.N.	(Relative ref. Number) Description	F.R.T.
2	6161A7	HEADLIGHT UNIT	0.4
6	6161G7	STAY, HEADLIGHT	0.3
8	4131FW	COVER, HEADLIGHT :UPPER	0.1
9	4131RD	STAY, NUMBER PLATE BRACKET :RIGHT	0.2
10	413135	COVER, HEADLIGHT	0.1
11	4131RC	STAY, NUMBER PLATE BRACKET :LEFT	0.2
	4131RE	STAY, NUMBER PLATE BRACKET :BOTH	0.2

Ref. No.	Part No.	Description	Reqd. QTY						Serial No.	Parts catalogue code
			CB 650RA			CBR 650RA				
			M	N	P	M	N	P		
1	18357-MCG-000	RUBBER, PROTECTOR MOUNTING ...	2	2	2	-	-	-	-----	2IN, IN
2	33100-MKY-D51	HEADLIGHT ASSY.	1	1	1	-	-	-	-----	2ED, 2FO, 2KO, 2MA, 2PH, 2RU, 2U, 2V, 3ED, 3FO, 4ED, 5ED, 7ED, ED FO, KO, MA, PH, RU, U, V 2IN, CH, IN
	33100-MKY-H51	1	1	1	-	-	-	-----	
3	61103-357-000	RUBBER, FR. FENDER MOUNTING ..	2	2	2	-	-	-	-----	
4	61103-MKN-D50	RUBBER, HEADLIGHT	2	2	2	-	-	-	-----	
5	61104-MKN-D50	COLLAR	2	2	2	-	-	-	-----	
6	61311-MKY-D50	STAY, HEADLIGHT LOWER	1	1	1	-	-	-	-----	
7	61316-KCJ-661	GUARD, NUMBER PLATE	1	1	1	-	-	-	-----	2IN, IN
8	64231-MKN-D50	COVER, HEADLIGHT UPPER	1	1	1	-	-	-	-----	
9	64235-MKN-N50	STAY, R. FR. NUMBER	1	1	1	-	-	-	-----	2IN, IN
10	64241-MKN-D50ZA	RIM, HEADLIGHT *NH303M*	1	1	1	-	-	-	-----	
		MAT AXIS GRAY METALLIC	1	1	1	-	-	-	-----	
11	64245-MKN-N50	STAY, L. FR. NUMBER	1	1	1	-	-	-	-----	2IN, IN
12	90017-GHB-620	BOLT, FLANGE, 6X14(NSHF)	2	2	2	-	-	-	-----	
13	90103-MKN-D50	BOLT, SOCKET SPECIAL, 6X25	2	2	2	-	-	-	-----	
14	90124-MKN-D50	SCREW, SPECIAL, 5X14	3	3	3	-	-	-	-----	
15	90129-MGZ-J00	COLLAR, BANK ANGLE SENSOR	2	2	2	-	-	-	-----	2IN, IN
16	90485-MB2-000	WASHER, 6MM	2	2	2	-	-	-	-----	2IN, IN
17	90677-KAN-T00	NUT, CLIP, 5MM	3	3	3	-	-	-	-----	2ED, 2FO, 2IN, 2KO, 2MA, 2PH, 2RU, 2U, 2V, 3ED, 3FO, 4ED, CH, ED FO, IN, KO, MA, PH, RU, U, V 5ED, 7ED
	90677-KAN-961	3	-	-	-	-	-	-----	
18	94050-06000	NUT, FLANGE, 6MM	2	2	2	-	-	-	-----	2IN, IN
19	95701-06018-00	BOLT, FLANGE, 6X18	2	2	2	-	-	-	-----	2IN, IN



F-1-1

HEADLIGHT(CBR650RA)



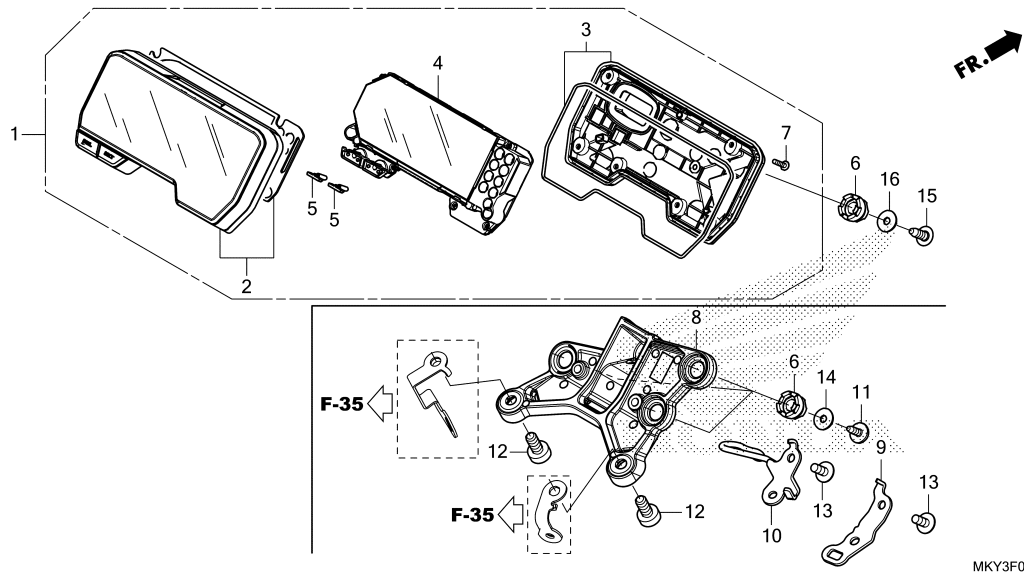
Ref. No.	L.O.N.	(Relative ref. Number) Description	F.R.T.
1	(8)	HEADLIGHT UNIT(A)	1.0
10	616182	BULB, POSITION LIGHT	0.1

Ref. No.	Part No.	Description	Reqd. QTY						Serial No.	Parts catalogue code
			CB 650RA			CBR 650RA				
			M	N	P	M	N	P		
1	33100-MKY-D11	HEADLIGHT ASSY.	-	-	-	1	1	1	-----	2ED,2FO,2GS,2KO,2MA,2PH,2RU,2U,2V,3ED,3FO,4ED,4FO,ED FO,GS,KO,MA,PH,RU,U,V
2	33706-KW7-900	RUBBER B, TAILLIGHT MOUNTING	-	-	-	3	3	3		
3	33731-MJ0-940	COLLAR, REGULATOR MOUNTING	-	-	-	2	2	2		
4	61104-MKN-D50	COLLAR	-	-	-	3	3	3		
5	90104-KZZ-900	BOLT-WASHER, 6X22	-	-	-	3	3	3		
6	90677-KAN-T00	NUT, CLIP, 5MM	-	-	-	2	2	2		
7	93404-05020-07	BOLT-WASHER, 5X20	-	-	-	2	2	2		
8	33100-MKN-H11	HEADLIGHT ASSY.	-	-	-	1	1	-	-----	2CH,CH
9	33115-K33-D01	CLAMPER	-	-	-	1	1	-	-----	2CH,CH
10	34906-K04-931	BULB(12V 5W)(KOITO)	-	-	-	1	1	-	-----	2CH,CH
11	93901-24380	SCREW, TAPPING, 4X12	-	-	-	1	1	-	-----	2CH,CH

3

F-2

METER



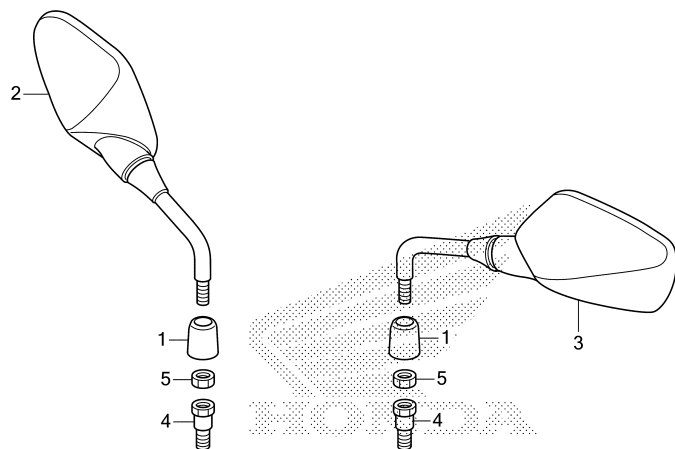
Ref. No.	L.O.N.	(Relative ref. Number) Description	F.R.T.
1	8121A1	METER ASSY., COMBINATION	0.4
	8121A5	METER ASSY., COMBINATION(A) ..	0.6
		.NOTE: With middle cowling	
2	8121B4	CASE, METER :UPPER	0.4
	8121C7	CASE, METER(A) :UPPER	0.6
		.NOTE: With middle cowling	
3	8121B5	CASE, METER :LOWER	0.4
	8121D5	CASE, METER(A) :LOWER	0.6
		.NOTE: With middle cowling	
4	8121A2	METER, COMBINATION	0.5
	8121H4	METER, COMBINATION(A)	0.7
		.NOTE: With middle cowling	
8	4111AX	STAY, METER	0.3

Ref. No.	Part No.	Description	Reqd. QTY						Serial No.	Parts catalogue code
			CB 650RA			CBR 650RA				
			M	N	P	M	N	P		
1	37100-MKY-D51	METER ASSY., COMBINATION (KPH/MPH)	1	1	1	-	-	-		
	37100-MKY-D11	-	-	-	1	1	1		
2	37110-MKN-D51	CASE ASSY., UPPER	1	1	1	1	1	1		
3	37120-MKN-D52	CASE ASSY., UNDER	1	1	1	1	1	1		
4	37130-MKY-D51	METER COMP., LCD(KPH/MPH)	1	1	1	-	-	-		
	37130-MKY-D11	-	-	-	1	1	1		
5	37205-MKN-D51	KEY, TOP	2	2	2	2	2	2		
6	37215-KZZ-D20	RUBBER, METER SETTING	3	3	3	3	3	3		
7	37605-MKH-D01	SCREW, TAPPING, 3X14	7	7	7	7	7	7		
8	61312-MKN-D50ZA	STAY, METER *NH303M*								
		MAT AXIS GRAY METALLIC	1	1	1	-	-	-		
9	64216-MKY-D50	STAY, HARNESS CLIP	1	1	1	-	-	-		
10	64217-MKY-D50	GUIDE COMP., CABLE	1	1	1	-	-	-		
11	90102-MKH-D00	SCREW, SPECIAL TAPPING, 5X14 ..	3	3	3	-	-	-		
12	90116-MJE-D00	BOLT, SOCKET, 8X18	2	2	2	-	-	-		
13	90125-MKN-D50	SCREW, PAN, 6X14	2	2	2	-	-	-		
14	90504-MKN-D50	WASHER, PLAIN, 5MM	3	3	3	-	-	-		
15	93913-25380	SCREW, TAPPING, 5X14(PO)	-	-	-	3	3	3		
16	94103-05700	WASHER, PLAIN, 5MM	-	-	-	3	3	3		



F-3

MIRROR(CB650RA)



←FR.

MKY3F0300

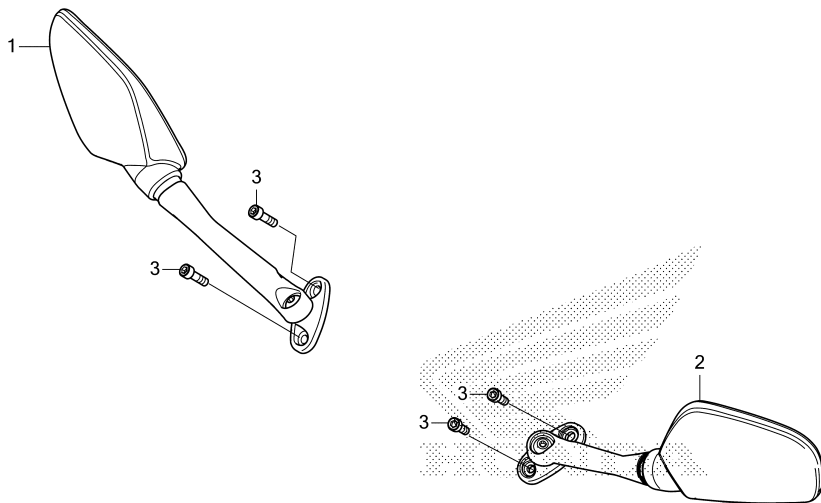
Ref. L.O.N. (Relative ref. Number) F.R.T.
No. Description

NO INFORMATION

Ref. No.	Part No.	Description	Reqd. QTY						Serial No.	Parts catalogue code
			CB 650RA			CBR 650RA				
			M	N	P	M	N	P		
1	88130-MJE-D40	COVER, LOCK NUT.....	2	2	2	-	-	-		
2	88210-MJE-D40	MIRROR COMP., R. BACK.....	1	1	1	-	-	-	-----	2ED,2FO,2IN,2KO,2MA,2PH,2RU,2U,2V,3ED,3FO,4ED,5ED,7ED,FO,IN,KO,MA,PH,RU,U,V
	88210-MJE-HF0	1	1	-	-	-	-	-----	CH
3	88220-MJE-D40	MIRROR COMP., L. BACK.....	1	1	1	-	-	-	-----	2ED,2FO,2IN,2KO,2MA,2PH,2RU,2U,2V,3ED,3FO,4ED,5ED,7ED,FO,IN,KO,MA,PH,RU,U,V
	88220-MJE-HF0	1	1	-	-	-	-	-----	CH
4	90104-MJE-D40	BOLT, ADAPTER, 10MM.....	2	2	2	-	-	-		
5	90310-MJE-D40	NUT, HEX., 10MM (LEFT HAND THREAD)	2	2	2	-	-	-		

F-3-1

MIRROR(CBR650RA)



MKY3F0301

Ref. L.O.N. (Relative ref. Number) F.R.T.
No. Description

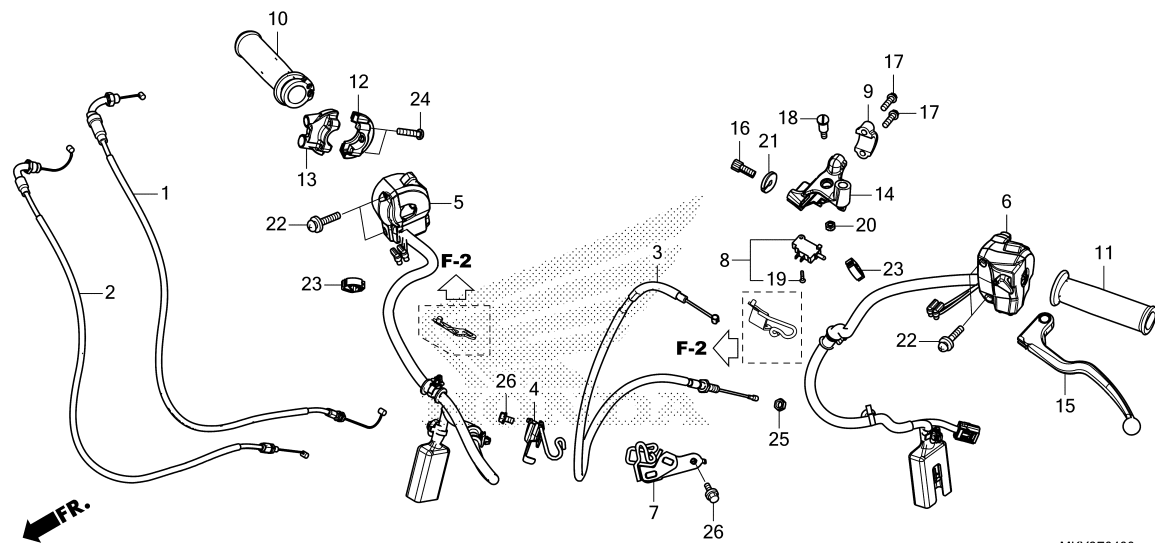
NO INFORMATION

Ref. No.	Part No.	Description	Reqd. QTY						Serial No.	Parts catalogue code	
			CB 650RA			CBR 650RA					
			M	N	P	M	N	P			
1	88110-MJE-D01	MIRROR ASSY., R. BACK	-	-	-	1	1	1	-----	-----	2ED,2FO,2GS,2KO,2MA,2PH,2RU,2U,2V,3ED,3FO,4ED,4FO,ED FO,GS,KO,MA,PH,RU,U,V
	88110-MJE-HB1	MIRROR ASSY., R. BACK(TOYO) ..	-	-	-	1	1	-	-----	-----	2CH,CH
2	88120-MJE-D01	MIRROR ASSY., L. BACK	-	-	-	1	1	1	-----	-----	2ED,2FO,2GS,2KO,2MA,2PH,2RU,2U,2V,3ED,3FO,4ED,4FO,ED FO,GS,KO,MA,PH,RU,U,V
	88120-MJE-HB1	MIRROR ASSY., L. BACK(TOYO) ..	-	-	-	1	1	-	-----	-----	2CH,CH
3	90001-MCK-A50	BOLT, SOCKET, 6X20	-	-	-	4	4	4			



F-4

HANDLE LEVER/SWITCH/CABLE(CB650RA)



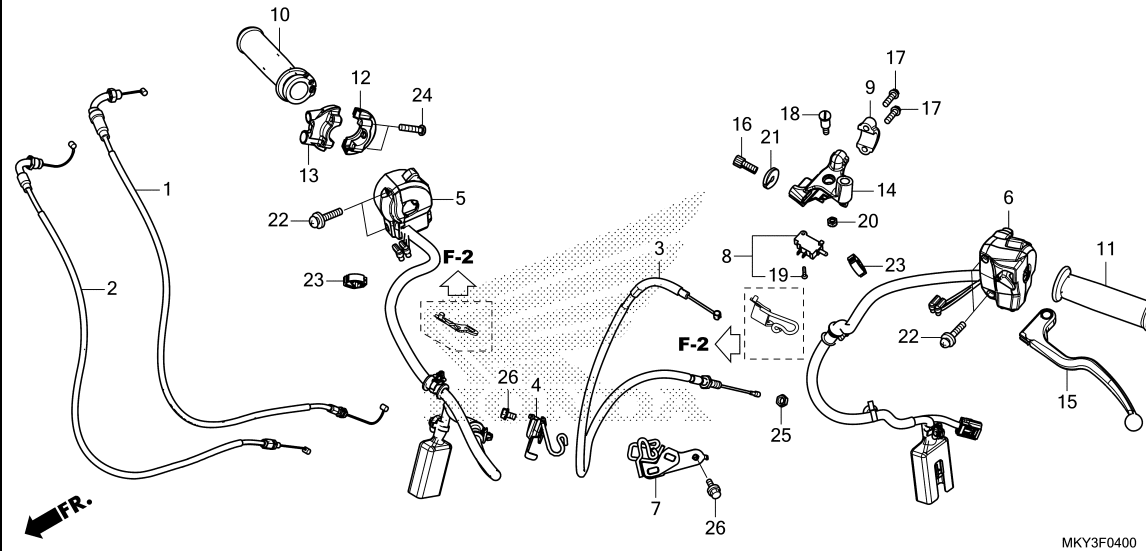
Ref. No.	L.O.N.	(Relative ref. Number) Description	F.R.T.
1	(2)		
811100		CABLE, THROTTLE	1.5
.NOTE: Same time for two units			
3	811115	CABLE, CLUTCH	1.3
5	615120	SWITCH, STARTER KILL	1.3
6	615118	SWITCH, WINKER	1.4
8	6151A9	SWITCH, CLUTCH	0.1
10	810150	GRIP, THROTTLE	1.4
11	8101C0	GRIP, HANDLE :LEFT	0.1
13	810155	HOUSING, THROTTLE	1.4
14	8101C8	BRACKET, HANDLE LEVER :LEFT ..	0.2
15	8101C6	LEVER, HANDLE :LEFT	0.1
	8101F5	LEVER, HANDLE :BOTH	0.2

Ref. No.	Part No.	Description	Reqd. QTY						Serial No.	Parts catalogue code
			CB 650RA			CBR 650RA				
			M	N	P	M	N	P		
1	17910-MKY-D51	CABLE COMP. A, THROTTLE.....	1	1	1	-	-	-		
2	17920-MKY-D51	CABLE COMP. B, THROTTLE.....	1	1	1	-	-	-		
3	22870-MKN-D51	CABLE COMP., CLUTCH.....	1	1	1	-	-	-		
4	35106-MKN-D50	GUIDE COMP., CABLE.....	1	1	1	-	-	-		
5	35130-MKY-D51	SWITCH ASSY., ENGINE STOP....	1	1	1	-	-	-		
6	35200-MKY-D51	SWITCH ASSY., WINKER.....	1	1	1	-	-	-	----- 2ED,2FO,2KO,2MA,2PH,2RU,2U,2V,3ED,3FO,4ED,5ED,7ED,ED FO,KO,MA,PH,RU,U,V	
	35200-MKY-N51	1	1	1	-	-	-	----- 2IN,IN	
	35200-MKY-H51	1	1	-	-	-	-	----- CH	
7	35205-MKY-D50	STAY, L. CLIP.....	1	1	1	-	-	-		
8	35335-MKJ-D00	SWITCH SET, CLUTCH.....	1	1	1	-	-	-		
9	45517-KCW-870	HOLDER, MASTER CYLINDER.....	1	1	1	-	-	-		
10	53140-MGS-D30	GRIP COMP., THROTTLE.....	1	1	1	-	-	-		
11	53150-MGS-D30	GRIP, L. HANDLE.....	1	1	1	-	-	-		
12	53167-MGS-D30	HOUSING, UPPER THROTTLE.....	1	1	1	-	-	-		
13	53168-MGS-D30	HOUSING, UNDER THROTTLE.....	1	1	1	-	-	-		
14	53172-MJE-D00	HOLDER, CLUTCH LEVER.....	1	1	1	-	-	-		
15	53178-MJE-D00	LEVER COMP., L. HANDLE.....	1	1	1	-	-	-	----- 3ED,3FO,5ED,7ED,CH,ED,FO,IN,KO,MA,PH,RU,U,V	
	53178-MKY-DP0	-	-	1	-	-	-	----- 2ED,2FO,2IN,2KO,2MA,2PH,2RU,2U,2V,4ED	
16	53192-MJE-D00	BOLT, WIRE ADJUSTING.....	1	1	1	-	-	-		
17	90013-GHB-660	BOLT, FLANGE, 6X22.....	2	2	2	-	-	-		
18	90113-438-000	BOLT, L. STEERING HANDLE LEVER PIVOT	1	1	1	-	-	-		
19	90124-MCJ-752	SCREW, FLAT, 3X16.....	1	1	1	-	-	-		
20	90301-782-000	NUT, U, 6MM.....	1	1	1	-	-	-		

3

F-4

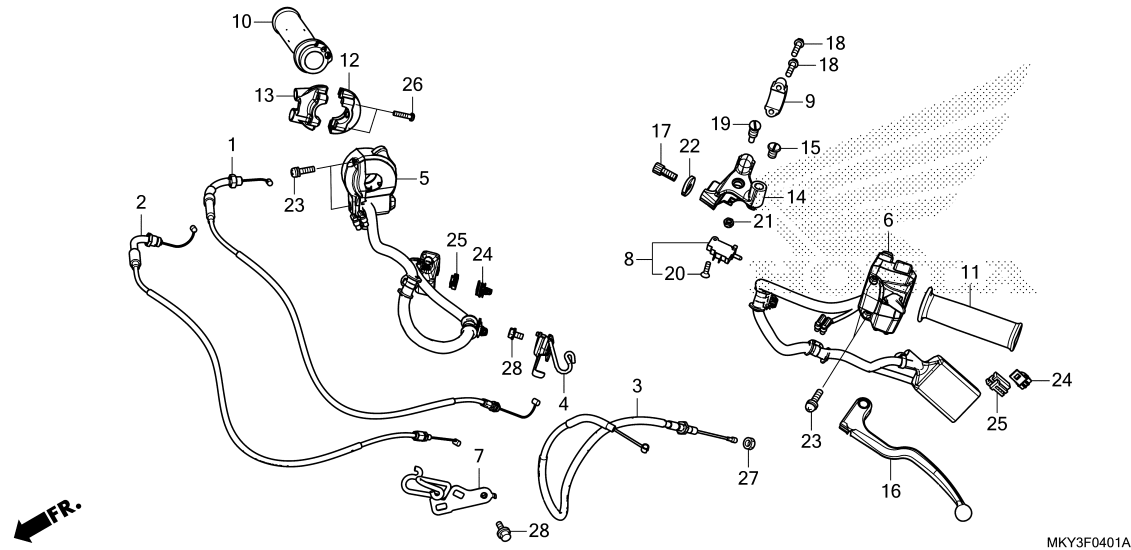
HANDLE LEVER/SWITCH/CABLE(CB650RA)



Ref. No.	Part No.	Description	Reqd. QTY						Serial No.	Parts catalogue code
			CB 650RA			CBR 650RA				
			M	N	P	M	N	P		
21	90321-KT7-760	NUT, FIXING.....	1	1	1	-	-	-		
22	90508-MGS-D30	SCREW-WASHER, 5X16.....	4	4	4	-	-	-		
23	90690-MEF-800	CLAMP, HARNESS.....	2	2	2	-	-	-		
24	93500-05022-0G	SCREW, PAN, 5X22.....	2	2	2	-	-	-		
25	94002-08070-0S	NUT, HEX., 8MM.....	1	1	1	-	-	-		
26	95701-06010-08	BOLT, FLANGE, 6X10.....	2	2	2	-	-	-		

F-4-1

HANDLE LEVER/SWITCH/CABLE(CBR650RA)

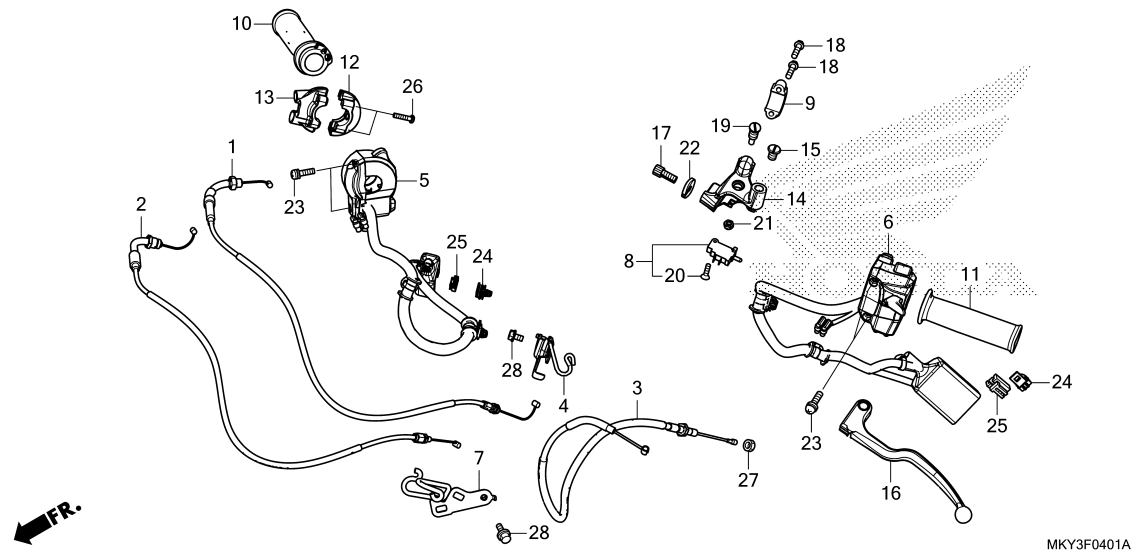


Ref. No.	L.O.N.	(Relative ref. Number) Description	F.R.T.
1	(2)		
8111D4		CABLE, THROTTLE(A)	1.7
.NOTE: Same time for two units			
3	8111G3	CABLE, CLUTCH(A)	1.5
5	6151G8	SWITCH, STARTER KILL(A)	1.5
6	6151G5	SWITCH, WINKER(A)	1.6
8	6151A9	SWITCH, CLUTCH	0.1
10	8101J5	GRIP, THROTTLE(A)	1.6
11	8101C0	GRIP, HANDLE :LEFT	0.1
13	8101J6	HOUSING, THROTTLE(A)	1.6
14	8101C8	BRACKET, HANDLE LEVER :LEFT ..	0.2
16	8101C6	LEVER, HANDLE :LEFT	0.1
	8101F5	LEVER, HANDLE :BOTH	0.2

Ref. No.	Part No.	Description	Reqd. QTY						Serial No.	Parts catalogue code
			CB 650RA			CBR 650RA				
			M	N	P	M	N	P		
1	17910-MKN-D11	CABLE COMP. A, THROTTLE.....	-	-	-	1	1	1		
2	17920-MKN-D11	CABLE COMP. B, THROTTLE.....	-	-	-	1	1	1		
3	22870-MKN-D11	CABLE COMP., CLUTCH.....	-	-	-	1	1	1		
4	35106-MKN-D50	GUIDE COMP., CABLE.....	-	-	-	1	1	1		
5	35130-MKN-D11	SWITCH ASSY., ENGINE STOP....	-	-	-	1	1	1		
6	35200-MKN-D11	SWITCH ASSY., WINKER.....	-	-	-	1	1	1	-----	2ED,2FO,2GS,2KO,2MA,2PH,2RU,2U,2V,3ED,3FO,4ED,4FO,ED FO,GS,KO,MA,PH,RU,U,V
	35200-MKN-H11	-	-	-	1	1	-	-----	2CH,CH
7	35205-MKN-D10	STAY, L. CLIP.....	-	-	-	1	1	1		
8	35335-MKJ-D00	SWITCH SET, CLUTCH.....	-	-	-	1	1	1		
9	45517-KCW-870	HOLDER, MASTER CYLINDER.....	-	-	-	1	1	1		
10	53140-MGS-D30	GRIP COMP., THROTTLE.....	-	-	-	1	1	1		
11	53150-MGS-D30	GRIP, L. HANDLE.....	-	-	-	1	1	1		
12	53167-MGS-D30	HOUSING, UPPER THROTTLE.....	-	-	-	1	1	1		
13	53168-MGS-D30	HOUSING, UNDER THROTTLE.....	-	-	-	1	1	1		
14	53172-MJE-D00	HOLDER, CLUTCH LEVER.....	-	-	-	1	1	1		
15	53174-116-670	PLUG, HANDLE LEVER BRACKET...	-	-	-	1	1	1		
16	53178-MJE-D00	LEVER COMP., L. HANDLE.....	-	-	-	1	1	1		
17	53192-MJE-D00	BOLT, WIRE ADJUSTING.....	-	-	-	1	1	1		
18	90013-GHB-660	BOLT, FLANGE, 6X22.....	-	-	-	2	2	2		
19	90113-438-000	BOLT, L. STEERING HANDLE LEVER PIVOT	-	-	-	1	1	1		
20	90124-MCJ-752	SCREW, FLAT, 3X16.....	-	-	-	1	1	1		
21	90301-782-000	NUT, U, 6MM.....	-	-	-	1	1	1		
22	90321-KT7-760	NUT, FIXING.....	-	-	-	1	1	1		

F-4-1

HANDLE LEVER/SWITCH/CABLE(CBR650RA)

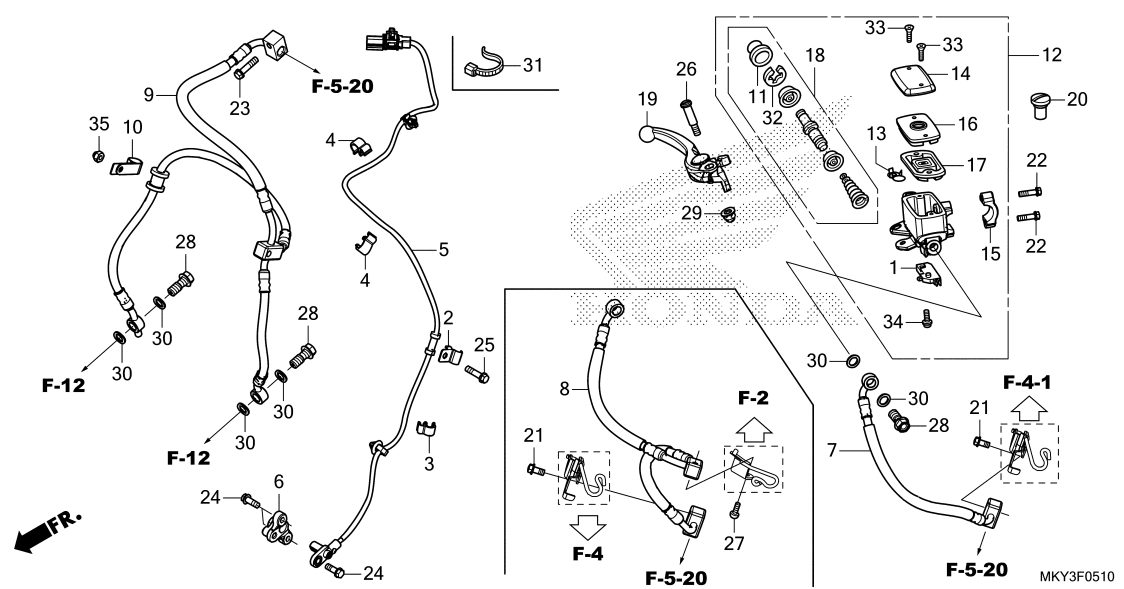


Ref. No.	Part No.	Description	Reqd. QTY						Serial No.	Parts catalogue code
			CB 650RA			CBR 650RA				
			M	N	P	M	N	P		
23	90508-MGS-D30	SCREW-WASHER, 5X16	-	-	-	4	4	4		
24	91535-TA0-003	CLIP, COUPLER(DARK BROWN)....	-	-	-	2	2	2		
25	91554-SM4-003	HOLDER, BRACKET(RED).....	-	-	-	2	2	2		
26	93500-05022-0G	SCREW, PAN, 5X22	-	-	-	2	2	2		
27	94002-08070-0S	NUT, HEX., 8MM	-	-	-	1	1	1		
28	95701-06010-08	BOLT, FLANGE, 6X10	-	-	-	2	2	2		



F-5-10

FRONT BRAKE MASTER CYLINDER



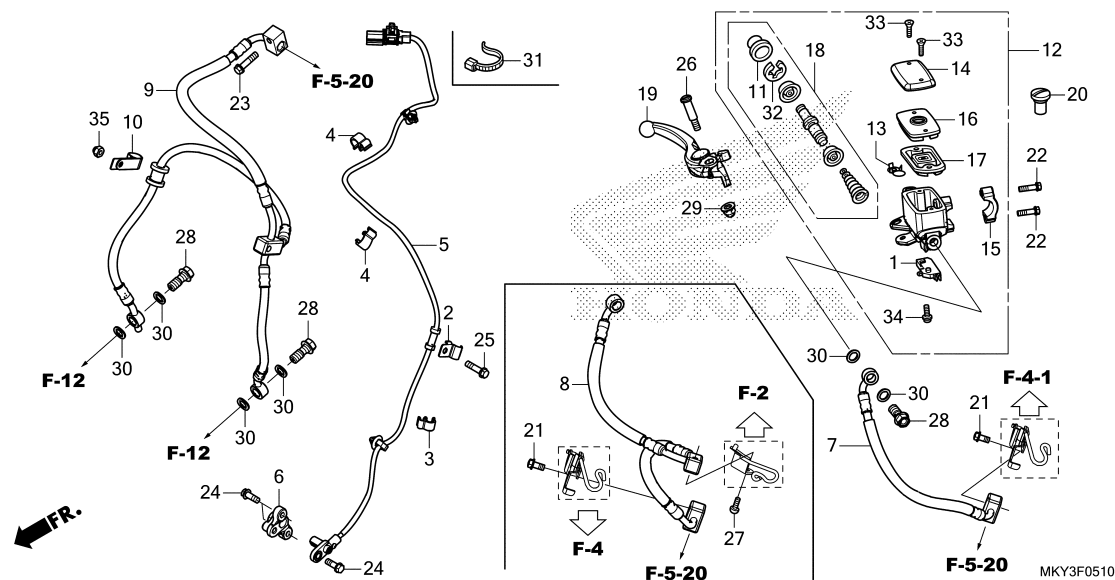
Ref. No.	L.O.N.	(Relative ref. Number) Description	F.R.T.
1	6151B2	SWITCH, FRONT STOP	0.1
5	617196	SENSOR, WHEEL SPEED :FRONT ...	0.8
7	7121T6	HOSE A, FRONT BRAKE(A)	1.7
		.INCLUDES: Bleed brakes .NOTE: With middle cowling	
8	712127	HOSE A, FRONT BRAKE	1.5
		.INCLUDES: Bleed brakes	
9	7121L5	HOSE D, FRONT BRAKE	0.4
		.INCLUDES: Bleed brakes	
12	712105	CYLINDER, FRONT BRAKE MASTER .	0.4
		.INCLUDES: Bleed brakes	
17	7121G6	DIAPHRAGM, FRONT BRAKE MASTER CYLINDER	0.1
18	7121G9	PISTON SET, FRONT BRAKE MASTER .INCLUDES: Bleed brakes	0.4
19	8101C7	LEVER, HANDLE :RIGHT	0.1
	8101F5	LEVER, HANDLE :BOTH	0.2

Ref. No.	Part No.	Description	Reqd. QTY						Serial No.	Parts catalogue code
			CB 650RA			CBR 650RA				
			M	N	P	M	N	P		
1	35340-MGS-D31	SWITCH ASSY., FR. STOP	1	1	1	1	1	1		
2	38514-MKH-D00	CLAMPER B, SENSOR CORD	1	1	1	1	1	1		
3	38516-MGE-003	CLAMP, ABS CORD(D8.5)	1	1	1	1	1	1		
4	38517-MGE-003	CLAMP, ABS CORD(D12)	2	2	2	2	2	2		
5	38520-MKN-D51	SENSOR, FR. WHEEL SPEED	1	1	1	-	-	-		
	38520-MKN-D11	-	-	-	1	1	1		
6	38521-MKN-D50	GUARD, ABS SENSOR	1	1	1	1	1	1		
7	45124-MKN-D11	HOSE COMP. A, FR. BRAKE	-	-	-	1	1	1	----- 2ED,2FO,2GS,2KO,2MA,2PH,2RU,2U,2V,3ED,3FO,4ED,4FO,ED FO,GS,KO,MA,PH,RU,U,V	
	45124-MKN-H12	-	-	-	1	1	-	----- 2CH,CH	
8	45124-MKY-D51	HOSE COMP. A, FR. BRAKE	1	1	1	-	-	-	----- 2ED,2FO,2IN,2KO,2MA,2PH,2RU,2U,2V,3ED,3FO,4ED,5ED,7ED ED,FO,IN,KO,MA,PH,RU,U,V	
	45124-MKY-H51	1	1	-	-	-	-	----- CH	
9	45127-MKN-D51	HOSE COMP. D, FR. BRAKE	1	1	1	1	1	1	----- 2ED,2FO,2GS,2IN,2KO,2MA,2PH,2RU,2U,2V,3ED,3FO,4ED,4FO 5ED,7ED,ED,FO,GS,IN,KO,MA,PH,RU,U,V	
	45127-MKN-H52	1	1	-	1	1	-	----- 2CH,CH	
10	45132-MKN-D50	CLAMPER, FR. BRAKE HOSE	1	1	1	1	1	1		
11	45504-410-003	BOOT COMP.	1	1	1	1	1	1		
12	45510-MGH-641	CYLINDER SUB ASSY., FR. BRAKE MASTER(NISSIN)	1	1	1	1	1	1		
13	45512-MA6-006	PROTECTOR	1	1	1	1	1	1		
14	45513-MM5-016	CAP, MASTER CYLINDER(NISSIN) ..	1	1	1	1	1	1		
15	45517-166-006	HOLDER, MASTER CYLINDER	1	1	1	1	1	1		
16	45518-MM5-006	PLATE, DIAPHRAGM	1	1	1	1	1	1		
17	45520-MM5-006	DIAPHRAGM	1	1	1	1	1	1		
18	45530-MA4-671	CYLINDER SET, MASTER	1	1	1	1	1	1		



F-5-10

FRONT BRAKE MASTER CYLINDER

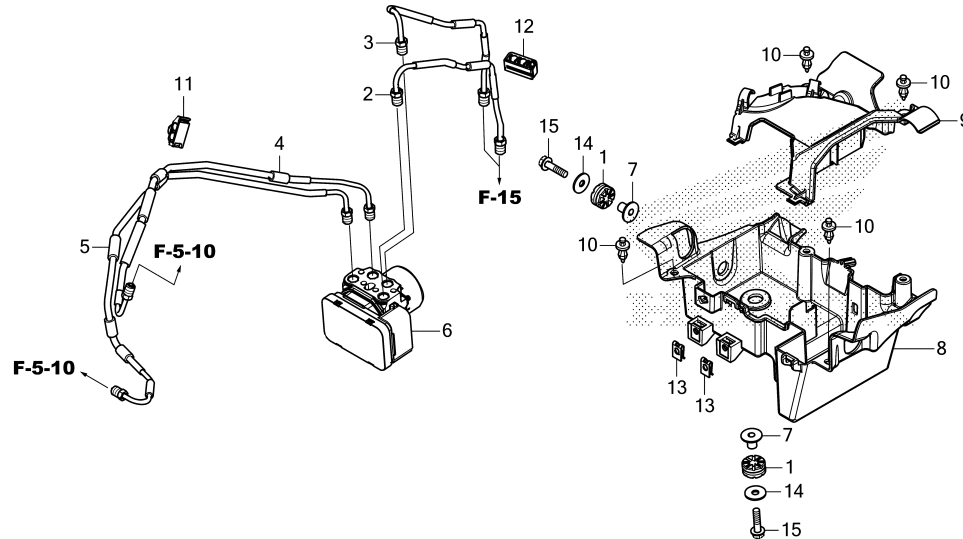


Ref. No.	Part No.	Description	Reqd. QTY						Serial No.	Parts catalogue code
			CB 650RA			CBR 650RA				
			M	N	P	M	N	P		
19	53170-MJE-D01	LEVER ASSY., R. HANDLE.....	1	1	1	-	-	-	-----	3ED,3FO,5ED,7ED,CH,ED,FO,IN,KO,MA,PH,RU,U,V
	53170-MKY-DP1	-	-	1	-	-	-	-----	2ED,2FO,2IN,2KO,2MA,2PH,2RU,2U,2V,4ED
	53170-MJE-D01	-	-	-	1	1	1		
20	53174-116-670	PLUG, HANDLE LEVER BRACKET...	-	-	-	1	1	1		
21	90013-GHB-610	BOLT, FLANGE, 6X12.....	1	1	1	1	1	1		
22	90013-GHB-660	BOLT, FLANGE, 6X22.....	2	2	2	2	2	2		
23	90013-GHB-670	BOLT, FLANGE, 6X25.....	1	1	1	1	1	1		
24	90111-MKN-D50	BOLT, FLANGE, 6X16.....	3	3	3	3	3	3		
25	90113-MKN-D50	BOLT, FLANGE, 6X23.5.....	1	1	1	1	1	1		
26	90114-MA5-671	BOLT, HANDLE LEVER PIVOT.....	1	1	1	1	1	1		
27	90125-MKN-D50	SCREW, PAN, 6X14.....	1	1	1	-	-	-		
28	90145-MS9-612	BOLT, OIL, 10X22(SAGA).....	3	3	3	3	3	3		
29	90202-KCW-870	NUT, CAP, 6MM.....	1	1	1	1	1	1		
30	90545-300-000	WASHER, OIL BOLT.....	6	6	6	6	6	6		
31	90650-KV6-003	BAND, WIRE, 95MM.....	1	1	1	-	-	-		
32	90651-MA5-671	CIRCLIP.....	1	1	1	1	1	1		
33	93600-04012-1G	SCREW, FLAT, 4X12.....	2	2	2	2	2	2		
34	93893-04012-17	SCREW-WASHER, 4X12.....	1	1	1	1	1	1		
35	94021-06070-0S	NUT, CAP, 6MM.....	1	1	1	1	1	1		



F-5-20

ABS MODULATOR



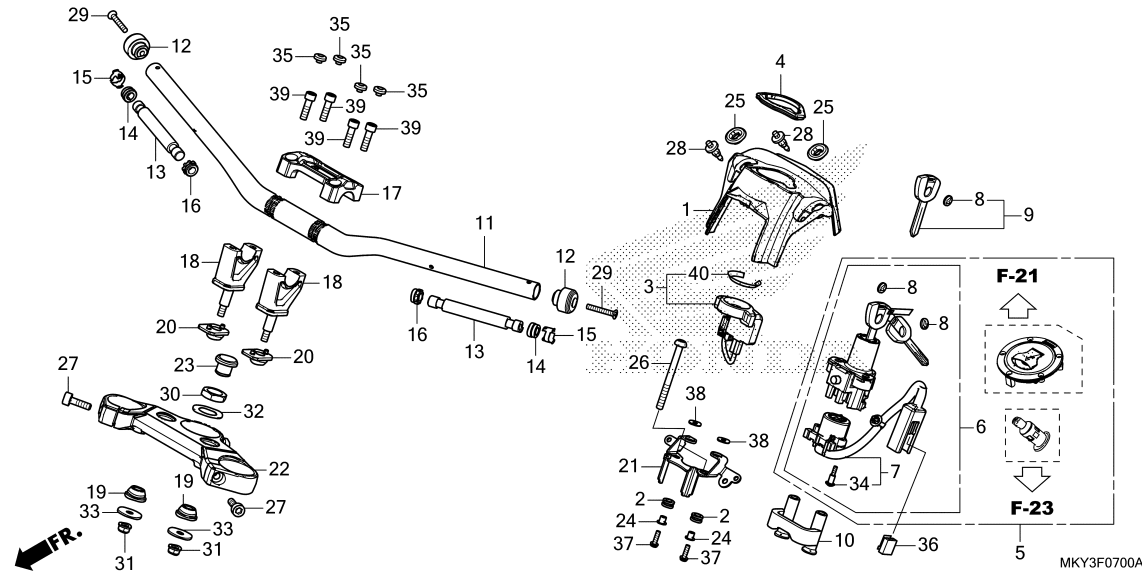
MKY3F0520

Ref. No.	L.O.N.	(Relative ref. Number) Description	F.R.T.
2	7121D7	PIPE A, REAR BRAKEINCLUDES: Bleed brakes	0.5
3	7121D8	PIPE B, REAR BRAKEINCLUDES: Bleed brakes	0.5
4	7121C8	PIPE B, FRONT BRAKEINCLUDES: Bleed brakes	1.6
	7121T5	PIPE B, FRONT BRAKE(A)INCLUDES: Bleed brakes .NOTE: With middle cowling	1.8
5	7121C9	PIPE C, FRONT BRAKEINCLUDES: Bleed brakes	1.7
	7121T7	PIPE C, FRONT BRAKE(A)INCLUDES: Bleed brakes .NOTE: With middle cowling	1.9
6	7111H1	MODULATOR, ABSINCLUDES: Bleed brakes	2.3
	7111Q6	MODULATOR, ABS(A)INCLUDES: Bleed brakes .NOTE: With middle cowling	2.5
8	7111Q0	CASE, ABS MODULATORINCLUDES: Bleed brakes	2.8
	7111U6	CASE, ABS MODULATOR(A)INCLUDES: Bleed brakes .NOTE: With middle cowling	3.0
9	7111M9	COVER, ABS MODULATORINCLUDES: Bleed brakes	0.3

Ref. No.	Part No.	Description	Reqd. QTY						Serial No.	Parts catalogue code
			CB 650RA			CBR 650RA				
			M	N	P	M	N	P		
1	33705-KW7-900	RUBBER A, TAILLIGHT MOUNTING	2	2	2	2	2	2		
2	43311-MJE-DB0	PIPE COMP. A, RR. BRAKE	1	1	1	1	1	1		
3	43312-MJE-DB0	PIPE COMP. B, RR. BRAKE	1	1	1	1	1	1		
4	45125-MKN-D50	PIPE COMP. B, FR. BRAKE	1	1	1	1	1	1		
5	45126-MKN-D50	PIPE COMP. C, FR. BRAKE	1	1	1	1	1	1		
6	57110-MKN-D51	MODULATOR ASSY.(NISSIN)	1	1	1	1	1	1		
7	61104-428-730	COLLAR, FR. FENDER(BLACK)	2	2	2	2	2	2		
8	80111-MKY-D50	TRAY, ABS MODULATOR	1	1	1	1	1	1	----- 2CH, 2ED, 2FO, 2GS, 2KO, 3ED, 3FO, 4ED, 4FO, 5ED, 7ED, CH, ED, FO, GS, KO	
	80111-MKY-T50		1	1	1	1	1	1	----- 2IN, 2MA, 2PH, 2RU, 2U, 2V, IN, MA, PH, RU, U, V	
9	80120-MKY-D50	COVER, ABS MODULATOR	1	1	1	1	1	1		
10	90116-MCS-G00	RIVET, PUSH	4	4	4	4	4	4		
11	90661-K87-L51	CLAMP, BRAKE PIPE(7.0X2)	1	1	1	1	1	1		
12	90661-KVK-B11	CLIP, BRAKE PIPE(6.9X2)	1	1	1	1	1	1		
13	90677-KAN-T00	NUT, CLIP, 5MM	2	2	2	2	2	2	----- 2CH, 2ED, 2FO, 2GS, 2KO, 2PH, 2V, 3ED, 3FO, 4ED, 4FO, 5ED, 7ED, CH, ED, FO, GS, KO, PH, V	
14	94103-06700	WASHER, PLAIN, 6MM	2	2	2	2	2	2		
15	95701-06025-07	BOLT, FLANGE, 6X25	2	2	2	2	2	2		

F-7

HANDLE PIPE/TOP BRIDGE(CB650RA)

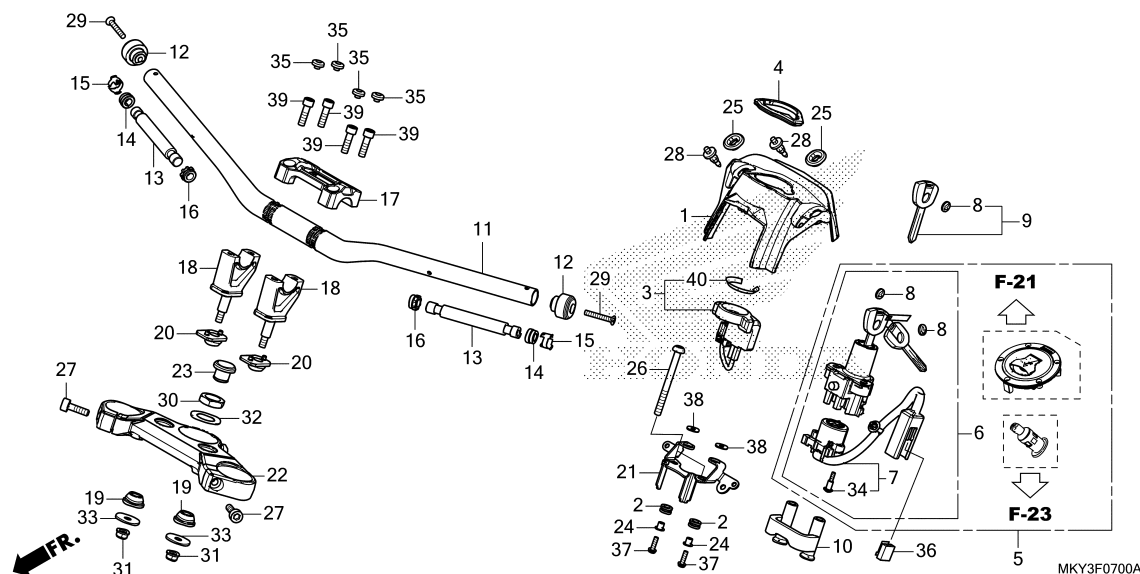


Ref. No.	L.O.N.	(Relative ref. Number) Description	F.R.T.
1	8121B8	COVER, COMBINATION SWITCH	0.1
3	6141A2	RECEIVER UNIT, IMMOBILIZER ...	0.5
5	6151A1	KEY SET	0.9
6	6151A5	SWITCH, COMBINATION & LOCKINCLUDES: HISS memorization	0.7
7	6151C2	BASE, CONTACT	0.5
11	810100	PIPE, STEERING HANDLE	0.5
13		(14,15,16)	
	8101D6	WEIGHT B, HANDLE :LEFT	0.2
	8101D7	WEIGHT B, HANDLE :RIGHT	1.4
	8101D8	WEIGHT B, HANDLE :BOTH	1.5
18	8101B9	HOLDER, HANDLE :LOWER	0.5
		.NOTE: Same time for two units	
22	510110	BRIDGE, FORK TOP	0.5

Ref. No.	Part No.	Description	Reqd. QTY						Serial No.	Parts catalogue code
			CB 650RA			CBR 650RA				
			M	N	P	M	N	P		
1	17575-MKN-D50	COVER, COMBINATION SWITCH	1	1	1	-	-	-		
2	19639-KEE-630	RUBBER, MOUNTING.....	2	2	2	-	-	-		
3	30430-MKY-F51	RECEIVER UNIT	1	1	1	-	-	-	-----	2FO,3FO,FO
	30430-MKY-306	1	1	1	-	-	-	-----	2IN,IN
	30430-MKY-M51	1	1	1	-	-	-	-----	2MA,MA
	30430-MKY-315	1	1	-	-	-	-	-----	3ED,5ED,7ED,ED
	30430-MKY-D51	1	-	-	-	-	-	-----	CH,KO,U
	30430-MKY-D52	-	1	1	-	-	-	-----	2KO,2PH,2RU,2U,CH,KO,PH,RU,U
	30430-MKY-406	-	-	1	-	-	-	-----	2ED,2V,3ED,4ED,ED,V
4	30435-MKN-D50	COVER, RECEIVER UNIT HOLE	1	1	1	-	-	-		
5	35010-MKY-D50	KEY SET	1	1	-	-	-	-		
	35010-MKY-DP0	-	-	1	-	-	-	-----	2ED,2FO,2IN,2KO,2MA,2PH,2RU,2U,2V,4ED
	35010-MKY-D51	-	-	1	-	-	-	-----	3ED,3FO,ED,IN,KO,MA,PH,RU,U,V
6	35100-MKY-D51	SWITCH ASSY., COMBINATION & LOCK	1	1	1	-	-	-		
7	35101-MKY-D51	BASE COMP., CONTACT	1	1	1	-	-	-		
8	35113-MJE-D00	EMBLEM, KEY	4	4	4	-	-	-		
			(2)	(2)	(2)	-	-	-		
9	35121-MJE-D02	KEY, BLANK	(1)	(1)	(1)	-	-	-		
10	50197-MKN-D50	STAY COMP., KEY MOUNTING.....	1	1	1	-	-	-		
11	53100-MKN-D50	PIPE, STEERING HANDLE	1	1	1	-	-	-	-----	3ED,3FO,5ED,7ED,CH,ED,FO,IN,KO,MA,PH,RU,U,V
	53100-MKY-DP0	-	-	1	-	-	-	-----	2ED,2FO,2IN,2KO,2MA,2PH,2RU,2U,2V,4ED
12	53104-MJE-DF0	WEIGHT, STEERING HANDLE	2	2	2	-	-	-		
13	53105-MJE-DF0	WEIGHT B, STEERING HANDLE	2	2	2	-	-	-		
14	53107-MY1-000	RUBBER B, HANDLE WEIGHT	2	2	2	-	-	-		
15	53108-KR3-770	RING, HANDLE WEIGHT SNAP	2	2	2	-	-	-		

F-7

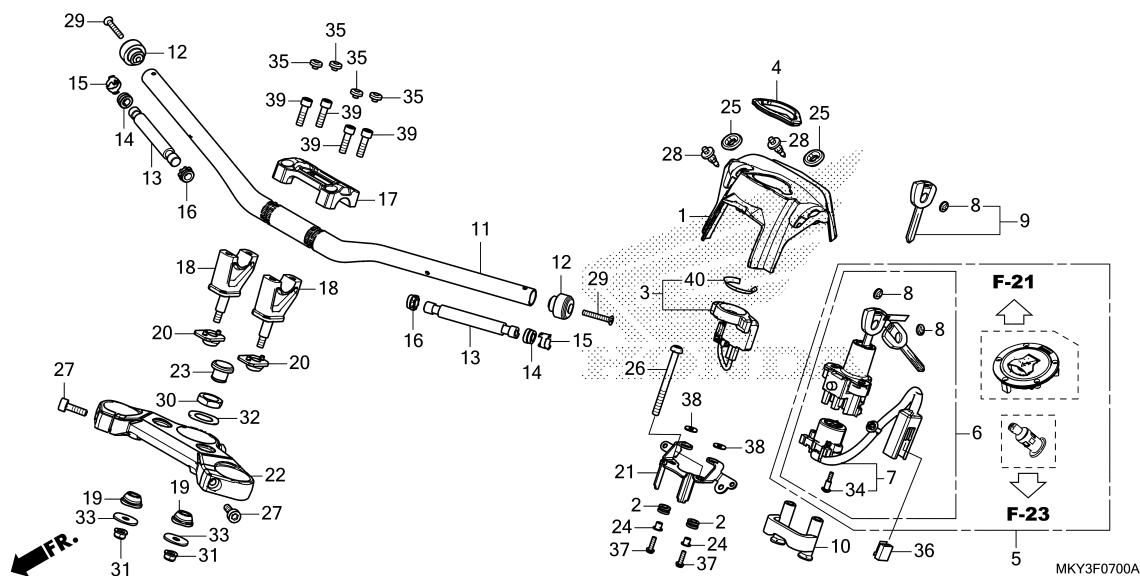
HANDLE PIPE/TOP BRIDGE(CB650RA)



Ref. No.	Part No.	Description	Reqd. QTY						Serial No.	Parts catalogue code
			CB 650RA			CBR 650RA				
			M	N	P	M	N	P		
16	53109-MM5-000	RUBBER B, HANDLE WEIGHT.....	2	2	2	-	-	-		
17	53131-MKN-D50	HOLDER, HANDLE UPPER.....	1	1	1	-	-	-		
18	53132-MKN-D50	HOLDER, HANDLE PIPE UNDER....	2	2	2	-	-	-		
19	53136-K94-T00	RUBBER, HANDLE CUSHION.....	2	2	2	-	-	-		
20	53136-MKN-D50	RUBBER, HANDLE CUSHION.....	2	2	2	-	-	-		
21	53190-MKN-D50	STAY, RECEIVER UNIT.....	1	1	1	-	-	-		
22	53230-MKY-D50	BRIDGE, FORK TOP.....	1	1	1	-	-	-		
23	53232-MJ4-670	CAP, STEERING STEM NUT.....	1	1	1	-	-	-		
24	80101-MFJ-D00	COLLAR, RR. FENDER.....	2	2	2	-	-	-		
25	83551-GE2-000	GROMMET, AIR CLEANER CASE....	2	2	2	-	-	-		
26	90107-MJN-A00	BOLT, ONE-WAY, 8MM.....	2	2	2	-	-	-		
27	90114-MKN-D50	BOLT, SOCKET, 8X28.....	2	2	2	-	-	-	2ED, 2FO, 2IN, 2KO, 2MA, 2PH, 2RU, 2U, 2V, 3ED, 3FO, 4ED, CH, ED, FO, IN, KO, MA, PH, RU, U, V	
	90105-MA6-750	2	-	-	-	-	-	5ED, 7ED	
28	90116-SP0-003	CLIP, BUMPER SEAL.....	2	2	2	-	-	-		
29	90122-MKN-D50	SCREW, OVAL, 6X40.....	2	2	2	-	-	-	2ED, 2FO, 2IN, 2KO, 2MA, 2PH, 2RU, 2U, 2V, 3ED, 3FO, 4ED, CH, ED, FO, IN, KO, MA, PH, RU, U, V	
	90191-MJ0-940	2	-	-	-	-	-	5ED, 7ED	
30	90304-KGA-900	NUT, STEERING STEM.....	1	1	1	-	-	-		
31	90304-KPG-901	NUT, U, 8MM.....	2	2	2	-	-	-		
32	90503-KGA-900	WASHER, STEERING STEM.....	1	1	1	-	-	-		
33	90535-K26-900	WASHER, HANDLE UNDER HOLDER..	2	2	2	-	-	-		
34	91059-KY2-711	SCREW, TAPPING, 3X16.....	3	3	3	-	-	-		
35	91455-KEA-000	CAP, SOCKET BOLT, 8MM.....	4	4	4	-	-	-	3ED, 3FO, 5ED, 7ED, CH, ED, FO, IN, KO, MA, PH, RU, U, V	
	91456-371-770	CAP, SOCKET BOLT.....	-	-	4	-	-	-	2ED, 2FO, 2IN, 2KO, 2MA, 2PH, 2RU, 2U, 2V, 4ED	

F-7

HANDLE PIPE/TOP BRIDGE(CB650RA)

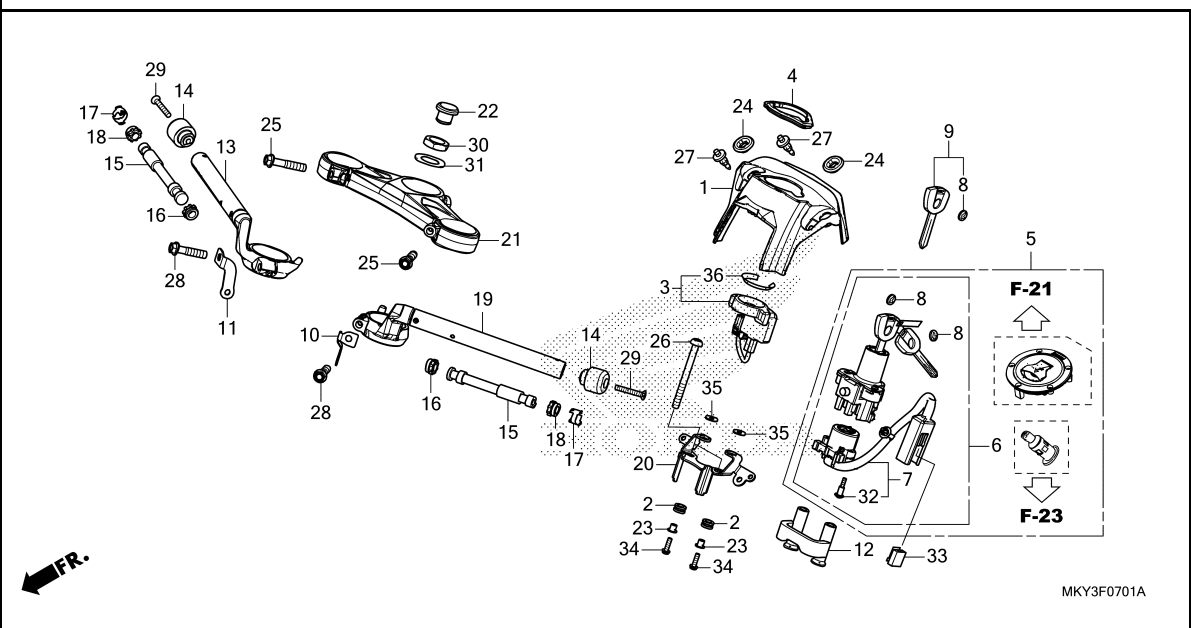


Ref. No.	Part No.	Description	Reqd. QTY						Serial No.	Parts catalogue code
			CB 650RA			CBR 650RA				
			M	N	P	M	N	P		
36	91554-SM4-003	HOLDER, BRACKET(RED).....	1	1	1	-	-	-		
37	93891-05018-08	SCREW-WASHER, 5X18.....	2	2	2	-	-	-		
38	94103-05800	WASHER, PLAIN, 5MM.....	2	2	2	-	-	-		
39	96600-08028-08	BOLT, SOCKET, 8X28.....	4	4	4	-	-	-		
40	30433-MKA-D81	SEAL, IGNITION SWITCH.....	1	1	1	-	-	-		



F-7-1

HANDLE PIPE/TOP BRIDGE(CBR650RA)

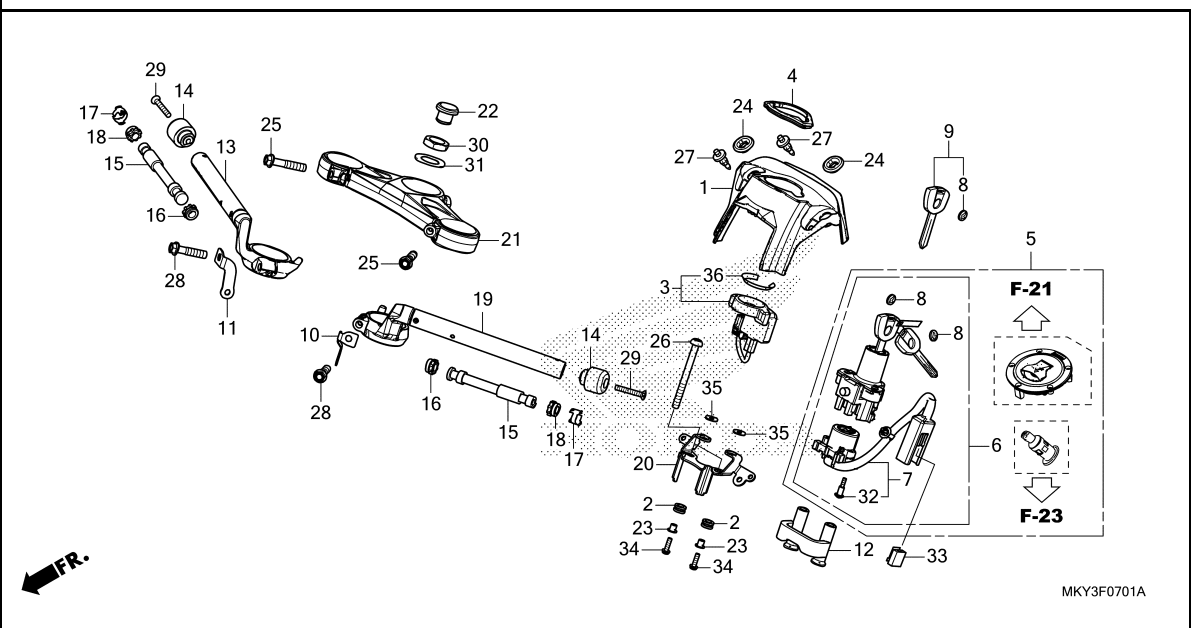


Ref. No.	L.O.N.	(Relative ref. Number) Description	F.R.T.
1	8121B8	COVER, COMBINATION SWITCH	0.1
3	6141A2	RECEIVER UNIT, IMMOBILIZER ...	0.5
5	6151A1	KEY SET	0.9
6	615145	SWITCH, COMBINATION & LOCKINCLUDES: HISS memorization	0.7
7	6151C2	BASE, CONTACT	0.5
13	8101B1	PIPE, STEERING HANDLE :RIGHT ..	0.4
15	8101M0	WEIGHT B, HANDLE(A) :LEFT	0.2
	8101M1	WEIGHT B, HANDLE(A) :RIGHT ...	0.4
	8101M2	WEIGHT B, HANDLE(A) :BOTH	0.5
19	8101B0	PIPE, STEERING HANDLE :LEFT ..	0.4
	8101B2	PIPE, STEERING HANDLE :BOTH ..	0.6
21	5101E2	BRIDGE, FORK TOP(A)	0.2

Ref. No.	Part No.	Description	Reqd. QTY						Serial No.	Parts catalogue code
			CB 650RA			CBR 650RA				
			M	N	P	M	N	P		
1	17575-MKN-D50	COVER, COMBINATION SWITCH	-	-	-	1	1	1		
2	19639-KEE-630	RUBBER, MOUNTING.....	-	-	-	2	2	2		
3	30430-MKY-F51	RECEIVER UNIT	-	-	-	1	1	1	-----	2FO,3FO,4FO,FO
	30430-MKY-M51	-	-	-	1	1	1	-----	2MA,MA
	30430-MKY-315	-	-	-	1	1	-	-----	2ED,3ED,4ED,ED
	30430-MKY-D51	-	-	-	1	-	-	-----	2CH,2KO,2U,CH,KO,U
	30430-MKY-D52	-	-	-	-	1	1	-----	2CH,2KO,2PH,2RU,2U,CH,KO,PH,RU,U
	30430-MKY-406	-	-	-	-	-	1	-----	2ED,2V,3ED,4ED,ED,V
	30430-MKY-307	-	-	-	-	-	1	-----	2GS,GS
4	30435-MKN-D50	COVER, RECEIVER UNIT HOLE	-	-	-	1	1	1		
5	35010-MKY-D50	KEY SET	-	-	-	1	1	-		
	35010-MKY-D51	-	-	-	-	-	1		
6	35100-MKY-D51	SWITCH ASSY., COMBINATION & LOCK	-	-	-	1	1	1		
7	35101-MKY-D51	BASE COMP., CONTACT.....	-	-	-	1	1	1		
8	35113-MJE-D00	EMBLEM, KEY.....	-	-	-	4	4	4		
			-	-	-	(2)	(2)	(2)		
9	35121-MJE-D02	KEY, BLANK.....	-	-	-	(1)	(1)	(1)		
10	35910-MJE-D00	GUIDE, L. FR. CORD.....	-	-	-	1	1	1		
11	45157-MKN-D10	CLAMPER C, R.	-	-	-	1	1	1		
12	50197-MKN-D50	STAY COMP., KEY MOUNTING.....	-	-	-	1	1	1		
13	53100-MKN-D10	PIPE COMP., R. STEERING HANDLE	-	-	-	1	1	1		
14	53104-MGZ-J00	WEIGHT, STEERING HANDLE.....	-	-	-	2	2	2		
15	53105-MGZ-J00	WEIGHT B, STEERING HANDLE	-	-	-	2	2	2		
16	53107-KM9-000	RUBBER B, HANDLE WEIGHT.....	-	-	-	2	2	2		
17	53108-MJ0-000	RING, HANDLE WEIGHT SNAP.....	-	-	-	2	2	2		

F-7-1

HANDLE PIPE/TOP BRIDGE(CBR650RA)

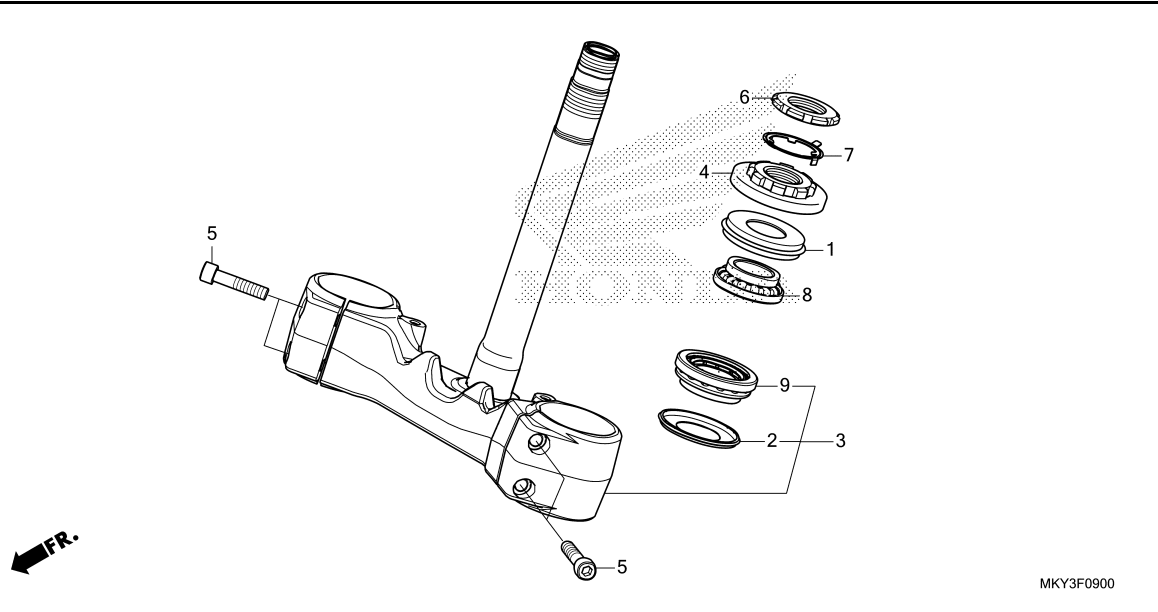


Ref. No.	Part No.	Description	Reqd. QTY						Serial No.	Parts catalogue code
			CB 650RA			CBR 650RA				
			M	N	P	M	N	P		
18	53109-MV4-000	RUBBER B, HANDLE WEIGHT.....	-	-	-	2	2	2		
19	53150-MKN-D10	PIPE COMP., L. STEERING HANDLE	-	-	-	1	1	1		
20	53190-MKN-D50	STAY, RECEIVER UNIT.....	-	-	-	1	1	1		
21	53230-MKN-D10	BRIDGE, FORK TOP.....	-	-	-	1	1	1		
22	53232-MJ4-670	CAP, STEERING STEM NUT.....	-	-	-	1	1	1		
23	80101-MFJ-D00	COLLAR, RR. FENDER.....	-	-	-	2	2	2		
24	83551-GE2-000	GROMMET, AIR CLEANER CASE....	-	-	-	2	2	2		
25	90107-MGE-000	BOLT, FLANGE, 8X40.....	-	-	-	2	2	2		
26	90107-MJN-A00	BOLT, ONE-WAY, 8MM.....	-	-	-	2	2	2		
27	90116-SP0-003	CLIP, BUMPER SEAL.....	-	-	-	2	2	2		
28	90123-MKF-D60	BOLT, FLANGE, 8X35.....	-	-	-	2	2	2		
29	90126-MKN-D10	SCREW, OVAL, 6X50.....	-	-	-	2	2	2		
30	90304-KGA-900	NUT, STEERING STEM.....	-	-	-	1	1	1		
31	90503-KGA-900	WASHER, STEERING STEM.....	-	-	-	1	1	1		
32	91059-KY2-711	SCREW, TAPPING, 3X16.....	-	-	-	3	3	3		
33	91554-SM4-003	HOLDER, BRACKET(RED).....	-	-	-	1	1	1		
34	93891-05018-08	SCREW-WASHER, 5X18.....	-	-	-	2	2	2		
35	94103-05800	WASHER, PLAIN, 5MM.....	-	-	-	2	2	2		
36	30433-MKA-D81	SEAL, IGNITION SWITCH.....	-	-	-	1	1	1		



F-9

STEERING STEM(CB650RA)



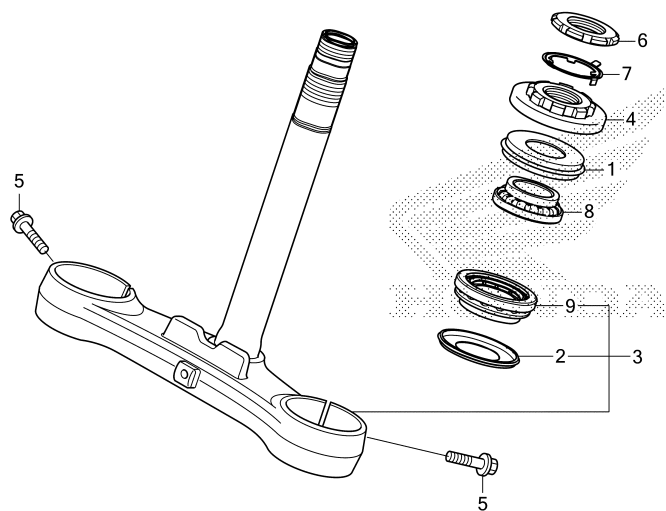
Ref. No.	L.O.N.	(Relative ref. Number) Description	F.R.T.
3	510100	STEM OR SHAFT ASSY., STEERING	1.4
4		(1)	
	5101B2	THREAD, STEERING HEAD TOP	1.2
8	5101B6	BEARING, HEAD PIPE :UPPER	1.4
9		(2)	
	5101B7	BEARING, HEAD PIPE :LOWER	1.6
	5101C7	BEARING, HEAD PIPE :BOTH	1.6

Ref. No.	Part No.	Description	Reqd. QTY						Serial No.	Parts catalogue code
			CB 650RA			CBR 650RA				
			M	N	P	M	N	P		
1	53213-MB4-771	DUST SEAL, STEERING UPPER (ARAI)	1	1	1	-	-	-		
2	53214-371-010	DUST SEAL, STEERING HEAD.....	1	1	1	-	-	-		
3	53219-MKY-D50	STEM SUB ASSY., STEERING.....	1	1	1	-	-	-		
4	53220-K87-A00	THREAD COMP., STEERING HEAD TOP	1	1	1	-	-	-		
5	90111-MKJ-D00	BOLT, SOCKET, 8X35.....	4	4	4	-	-	-		
6	90302-425-830	THREAD B, STEERING HEAD TOP..	1	1	1	-	-	-		
7	90506-425-830	WASHER, LOCK.....	1	1	1	-	-	-		
8	91015-KT8-005	BEARING, HEAD PIPE UPPER(KOYO)	1	1	1	-	-	-		
9	91016-KT8-005	BEARING, HEAD PIPE UNDER(KOYO)	1	1	1	-	-	-		

3

F-9-1

STEERING STEM(CBR650RA)



MKY3F0901

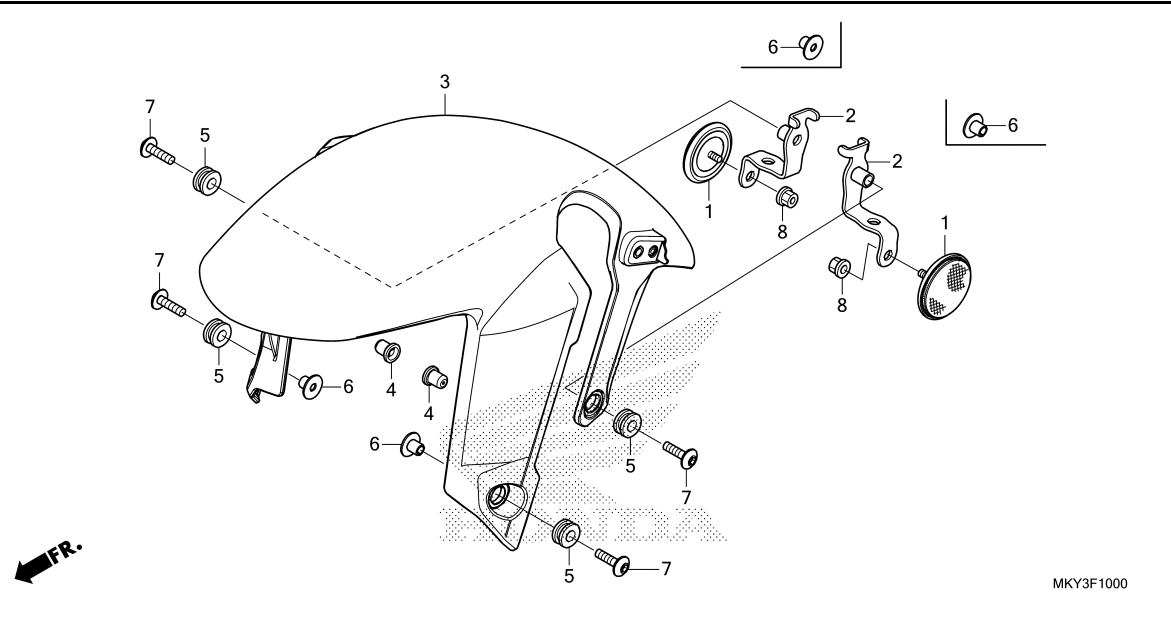
Ref. No.	L.O.N.	(Relative ref. Number) Description	F.R.T.
3	5101F1	STEM OR SHAFT ASSY., STEERING (A)	1.1
4	5101F2	THREAD, STEERING HEAD TOP(A) · (1)	0.9
8	5101F3	BEARING, HEAD PIPE(A) :UPPER ·	1.1
9	5101F5	BEARING, HEAD PIPE(A) :BOTH · (2)	1.3
	5101F4	BEARING, HEAD PIPE(A) :LOWER ·	1.3
	5101F5	BEARING, HEAD PIPE(A) :BOTH ·	1.3

Ref. No.	Part No.	Description	Reqd. QTY						Serial No.	Parts catalogue code
			CB 650RA			CBR 650RA				
			M	N	P	M	N	P		
1	53213-MB4-771	DUST SEAL, STEERING UPPER (ARAI)	-	-	-	1	1	1		
2	53214-371-010	DUST SEAL, STEERING HEAD.....	-	-	-	1	1	1		
3	53219-MKN-D10	STEM SUB ASSY., STEERING.....	-	-	-	1	1	1		
4	53220-K87-A00	THREAD COMP., STEERING HEAD TOP	-	-	-	1	1	1		
5	90041-GHB-740	BOLT, FLANGE, 10X40.....	-	-	-	2	2	2		
6	90302-425-830	THREAD B, STEERING HEAD TOP..	-	-	-	1	1	1		
7	90506-425-830	WASHER, LOCK.....	-	-	-	1	1	1		
8	91015-KT8-005	BEARING, HEAD PIPE UPPER(KOYO)	-	-	-	1	1	1		
9	91016-KT8-005	BEARING, HEAD PIPE UNDER(KOYO)	-	-	-	1	1	1		



F-10

FRONT FENDER



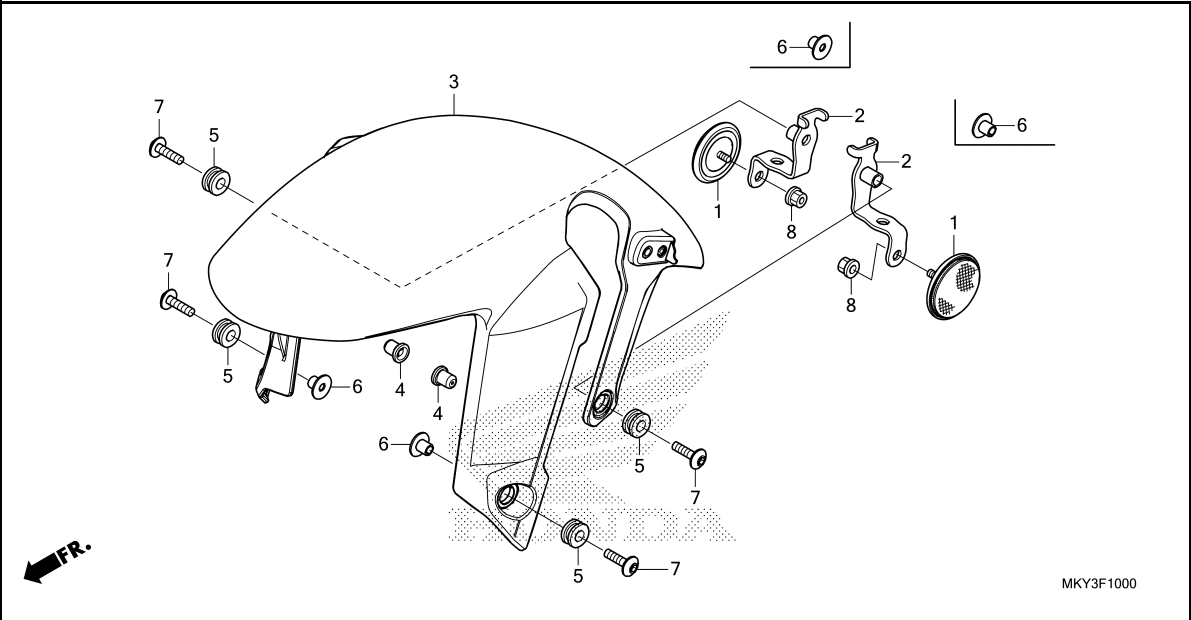
Ref. No.	L.O.N. (Relative ref. Number)	Description	F.R.T.
3	4131B7	FENDER, FRONT	0.4



Ref. No.	Part No.	Description	Reqd. QTY						Serial No.	Parts catalogue code	
			CB 650RA			CBR 650RA					
			M	N	P	M	N	P			
1	33741-KTG-U01	REFLECTOR, FR. REFLEX(AMBER)	2	2	2	2	2	2	-----	-----	2ED,2FO,2GS,2KO,2MA,2RU,2U,3ED,3FO,4ED,4FO,5ED,7ED,ED FO,GS,KO,MA,RU,U
	33741-KSH-902	2	2	-	2	2	-	-----	-----	2CH,CH
2	61105-MKN-D50	STAY, FR. REFLECTOR.....	2	2	2	2	2	2	-----	-----	2CH,2ED,2FO,2GS,2KO,2MA,2RU,2U,3ED,3FO,4ED,4FO,5ED 7ED,CH,ED,FO,GS,KO,MA,RU,U
3	61110-MKN-D50ZC	FENDER SET, FR.(WL) *TYPE1*.....	1	1	1	-	-	-	-----	-----	2ED,2FO,2IN,2KO,2MA,2PH,2RU,2U,2V,3ED,3FO,4ED,CH,ED FO,IN,KO,MA,PH,RU,U,V
	61110-MKY-D50ZD	*TYPE1*.....	1	-	-	-	-	-	-----	-----	3ED,CH,ED,FO,IN,MA
	61110-MKY-D50ZF	*TYPE2 1*.....	1	-	-	-	-	-	-----	-----	3ED,CH,ED,FO,KO,U
	61110-MKN-D50ZA	*TYPE3*.....	1	-	-	-	-	-	-----	-----	3ED,ED,KO
	61110-MKN-J50ZC	*TYPE3*.....	1	-	-	-	-	-	-----	-----	5ED,7ED
	61110-MKY-J50ZB	*TYPE2*.....	1	-	-	-	-	-	-----	-----	5ED,7ED
	61110-MKY-J50ZC	*TYPE1*.....	1	-	-	-	-	-	-----	-----	5ED,7ED
	61110-MKY-D50ZD	*TYPE1*.....	-	1	-	-	-	-	-----	-----	FO
	61110-MKY-D50ZF	*TYPE2 1*.....	-	1	-	-	-	-	-----	-----	FO
	61110-MKY-D50ZE	*TYPE3 1*.....	-	-	-	1	1	1	-----	-----	3ED,3FO,CH,ED,FO,GS,KO,MA,PH,RU,U,V
	61110-MKN-D50ZB	*TYPE2*.....	-	-	-	1	-	-	-----	-----	2CH,2ED,2FO,2KO,2MA,4ED
	61110-MKY-D50ZF	*TYPE2 1*.....	-	-	-	1	-	-	-----	-----	2U
	61110-MKN-D50ZB	*TYPE2*.....	-	-	-	-	1	-	-----	-----	2CH,2ED,2FO,2KO,2MA,2U,4ED,4FO
	61110-MKY-T20ZA	*TYPE1*.....	-	-	-	-	1	-	-----	-----	2U
	61110-MKN-D50ZC	*TYPE1*.....	-	-	-	-	-	1	-----	-----	2ED,2GS,2KO,2MA,2PH,2RU,2U,2V,4ED,4FO
4	61312-149-300	BOOT, HEADLIGHT BRACKET.....	2	2	2	2	2	2			
5	80101-165-000	RUBBER, RR. FENDER CUSHION...	4	4	4	4	4	4			

F-10

FRONT FENDER

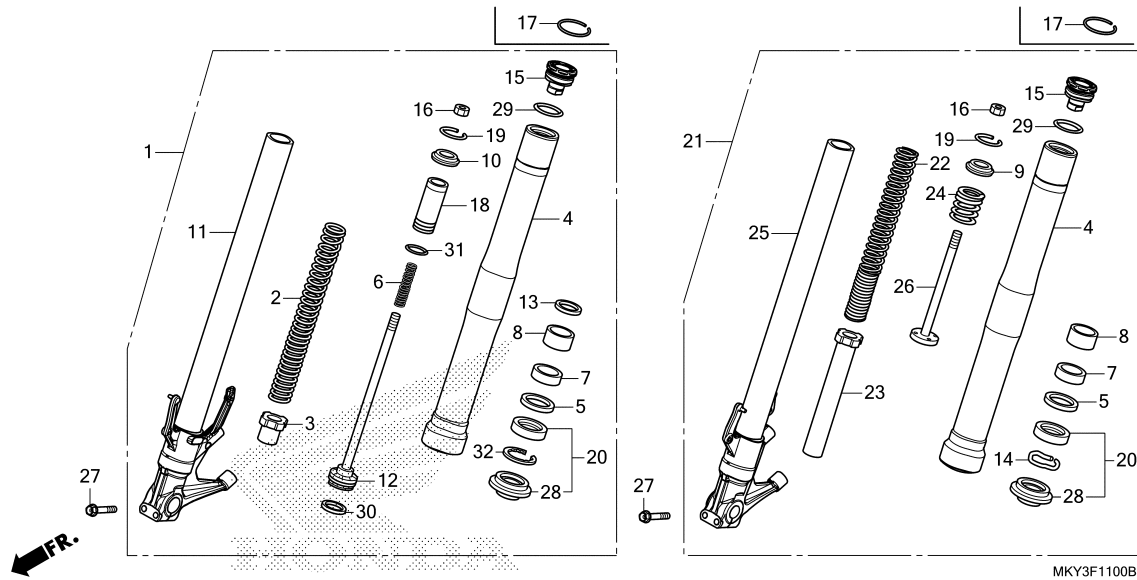


Ref. No.	Part No.	Description	Reqd. QTY						Serial No.	Parts catalogue code	
			CB 650RA			CBR 650RA					
			M	N	P	M	N	P			
6	84706-163-670	COLLAR, TAILLIGHT MOUNTING ...	2	2	-	2	2	-	-----	-----	2CH, 2ED, 2FO, 2KO, 2MA, 2U, 3ED, 3FO, 4ED, 4FO, 5ED, 7ED, CH, ED FO, KO, MA, U
			4	4	-	-	-	-	-----	-----	IN
			-	-	2	-	-	2	-----	-----	2ED, 2FO, 2GS, 2KO, 2MA, 2RU, 2U, 3ED, 3FO, 4ED, 4FO, ED, GS, KO MA, RU, U
			-	-	4	-	-	-	-----	-----	2IN, 2PH, 2V, IN, PH, V
			-	-	-	-	-	4	-----	-----	2PH, 2V, PH, V
7	90130-KYJ-900	SCREW, PAN, 6X22	4	4	4	4	4	4	-----	-----	
8	90301-KGH-901	NUT, U, 6MM(FUJI SEIMITSU) ...	2	2	2	2	2	2	-----	-----	2CH, 2ED, 2FO, 2GS, 2KO, 2MA, 2RU, 2U, 3ED, 3FO, 4ED, 4FO, 5ED 7ED, CH, ED, FO, GS, KO, MA, RU, U



F-11

FRONT FORK



Ref. No.	L.O.N.	(Relative ref. Number) Description	F.R.T.
1	5111C3	FORK ASSY., FRONT :RIGHT	0.4
2		(12,18,30,31)	
	5111C6	SPRING, FRONT FORK :RIGHT	0.6
4	5111C8	TUBE, OUTER :LEFT	0.7
	5111C9	TUBE, OUTER :RIGHT	0.7
	5111D0	TUBE, OUTER :BOTH	1.2
11	5111D5	PIPE, SLIDE :RIGHT	0.7
20		(7,8)	
	5111E7	SEAL SET, FRONT FORK :LEFT ...	0.7
	5111E8	SEAL SET, FRONT FORK :RIGHT ..	0.7
	5111E9	SEAL SET, FRONT FORK :BOTH ...	1.2
21	5111C2	FORK ASSY., FRONT :LEFT	0.4
	5111C4	FORK ASSY., FRONT :BOTH	0.5
22		(24,26)	
	5111C5	SPRING, FRONT FORK :LEFT	0.6
	5111C7	SPRING, FRONT FORK :BOTH	0.9
25	5111D4	PIPE, SLIDE :LEFT	0.7
	5111D6	PIPE, SLIDE :BOTH	1.2

Ref. No.	Part No.	Description	Reqd. QTY						Serial No.	Parts catalogue code
			CB 650RA			CBR 650RA				
			M	N	P	M	N	P		
1	51400-MKY-D51	FORK ASSY., R. FR.	1	1	-	1	1	-	-----	2CH,2ED,2FO,2KO,2MA,2U,3ED,3FO,4ED,4FO,5ED,7ED,CH,ED FO,KO,MA,U
	51400-MKY-305	1	1	-	-	-	-	-----	IN
	51400-MKY-DP1	-	-	1	-	-	-	-----	2ED,2FO,2KO,2MA,2PH,2RU,2U,2V,4ED
	51400-MKY-306	-	-	1	-	-	-	-----	2IN
	51400-MKY-DN1	-	-	1	-	-	-	-----	3ED,3FO,ED,KO,MA,PH,RU,U,V
	51400-MKY-307	-	-	1	-	-	-	-----	IN
	51400-MKY-DP1	-	-	-	-	-	1	-----	
2	51401-MKY-D51	SPRING, R. FR.	1	1	1	1	1	1	-----	
3	51402-MKY-D51	COLLAR COMP., R. SPRING	1	1	1	1	1	1	-----	
4	51410-MKN-D51	TUBE, OUTER	2	2	2	-	-	-	-----	3ED,3FO,5ED,7ED,CH,ED,FO,KO,MA,PH,RU,U,V
	51410-MKN-305	2	2	2	-	-	-	-----	IN
	51410-MKY-DP1	-	-	2	-	-	-	-----	2ED,2FO,2KO,2MA,2PH,2RU,2U,2V,4ED
	51410-MKY-305	-	-	2	-	-	-	-----	2IN
	51410-MKN-D51	-	-	-	2	2	-	-----	
	51410-MKY-DP1	-	-	-	-	-	2	-----	
5	51412-MB4-003	RING, BACK UP(SHOWA)	2	2	2	2	2	2	-----	
6	51412-MKY-D51	SPRING, R. REBOUND	1	1	1	1	1	1	-----	
7	51414-MFJ-A51	BUSH, GUIDE	2	2	2	2	2	2	-----	
8	51415-MFJ-A51	BUSH, SLIDER	2	2	2	2	2	2	-----	
9	51419-K94-T01	SEAT, STOPPER	1	1	1	1	1	1	-----	
10	51419-MKY-D51	SEAT, R. STOPPER	1	1	1	1	1	1	-----	
11	51425-MKY-D51	PIPE COMP., R. SLIDE	1	1	1	1	1	1	-----	2CH,2ED,2FO,2GS,2KO,2MA,2PH,2RU,2U,2V,3ED,3FO,4ED,4FO 5ED,7ED,CH,ED,FO,GS,KO,MA,PH,RU,U,V
	51425-MKY-305	1	1	1	-	-	-	-----	2IN,IN
12	51426-MKY-D51	ROD COMP., PISTON	1	1	1	1	1	1	-----	
13	51435-MKY-D51	RING B, PISTON	1	1	1	1	1	1	-----	

3

F-11

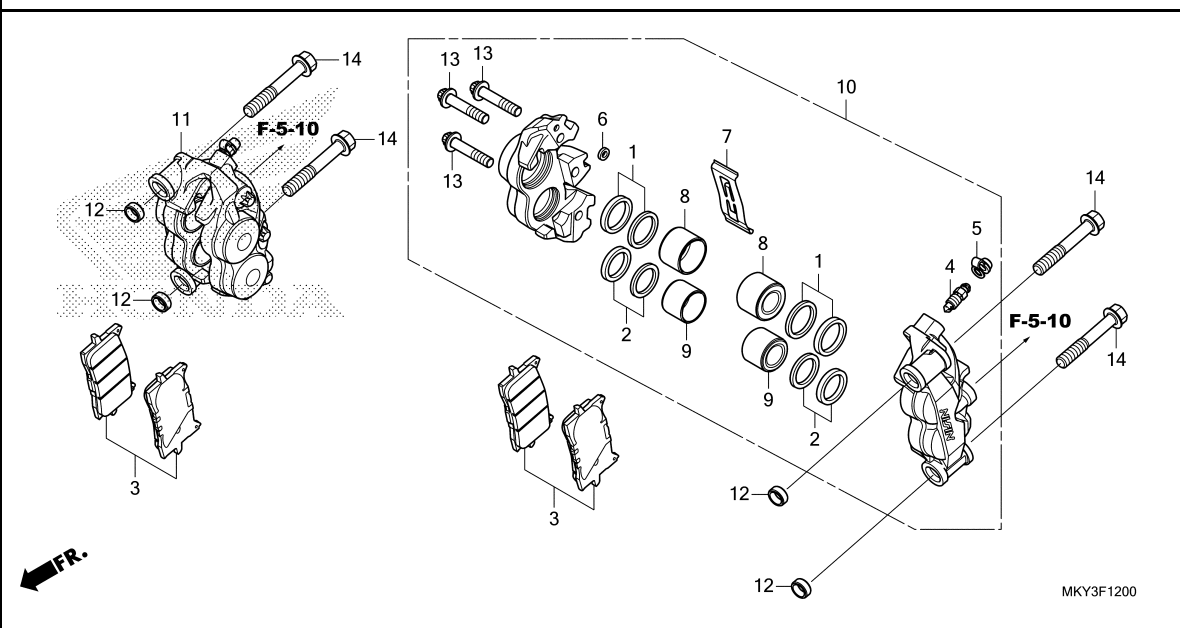
FRONT FORK

Ref. No.	Part No.	Description	Reqd. QTY						Serial No.	Parts catalogue code
			CB 650RA			CBR 650RA				
			M	N	P	M	N	P		
14	51447-KA4-711	RING, OIL SEAL STOPPER(SHOWA)	1	1	1	1	1	1		
15	51450-MKY-D51	BOLT COMP., FR. FORK	2	2	-	2	2	-		
	51450-MKY-DP1	-	-	2	-	-	2		
16	51451-MKY-D51	NUT, HEX.	2	2	2	2	2	2		
17	51455-MEE-D01	RING, STOPPER	-	-	-	2	2	2		
18	51455-MKY-D51	CASE COMP., ROD GUIDE	1	1	1	1	1	1		
19	51456-K94-T01	RING, STOPPER	2	2	2	2	2	2		
20	51490-MKL-D81	SEAL SET, FR. FORK	2	2	2	2	2	2		
21	51500-MKY-D51	FORK ASSY., L. FR.	1	1	-	1	1	-	2CH, 2ED, 2FO, 2KO, 2MA, 2U, 3ED, 3FO, 4ED, 4FO, 5ED, 7ED, CH, ED, FO, KO, MA, U	
	51500-MKY-305	1	1	-	-	-	-	IN	
	51500-MKY-DP1	-	-	1	-	-	-	2ED, 2FO, 2KO, 2MA, 2PH, 2RU, 2U, 2V, 4ED	
	51500-MKY-306	-	-	1	-	-	-	2IN	
	51500-MKY-DN1	-	-	1	-	-	-	3ED, 3FO, ED, KO, MA, PH, RU, U, V	
	51500-MKY-307	-	-	1	-	-	-	IN	
	51500-MKY-DP1	-	-	-	-	-	1		
22	51501-MKY-D51	SPRING, L. FR. FORK	1	1	1	1	1	1		
23	51502-MKN-D51	COLLAR COMP. B, SPRING(SHOWA)	1	1	1	1	1	1		
24	51512-MKY-D51	SPRING, L. REBOUND	1	1	1	1	1	1		
25	51525-MKY-D51	PIPE COMP., L. SLIDE	1	1	1	1	1	1	2CH, 2ED, 2FO, 2GS, 2KO, 2MA, 2PH, 2RU, 2U, 2V, 3ED, 3FO, 4ED, 4FO, 5ED, 7ED, CH, ED, FO, GS, KO, MA, PH, RU, U, V	
	51525-MKY-305	1	1	1	-	-	-	2IN, IN	
26	51526-MKY-D51	ROD COMP.	1	1	1	1	1	1		
27	90134-MEL-000	BOLT, 8X45	4	4	4	4	4	4		
28	91251-MKL-D81	SEAL, DUST(SHOWA)	2	2	2	2	2	2		
29	91258-MEE-D01	O-RING, 39.7X2.4	2	2	2	2	2	2		
30	51437-MKY-D51	RING, PISTON	1	1	1	1	1	1		
31	91356-KF0-003	O-RING, 33.2X2.4	1	1	1	1	1	1		
32	51447-MB4-003	CIRCLIP, INTERNAL	1	1	1	1	1	1		



F-12

FRONT BRAKE CALIPER



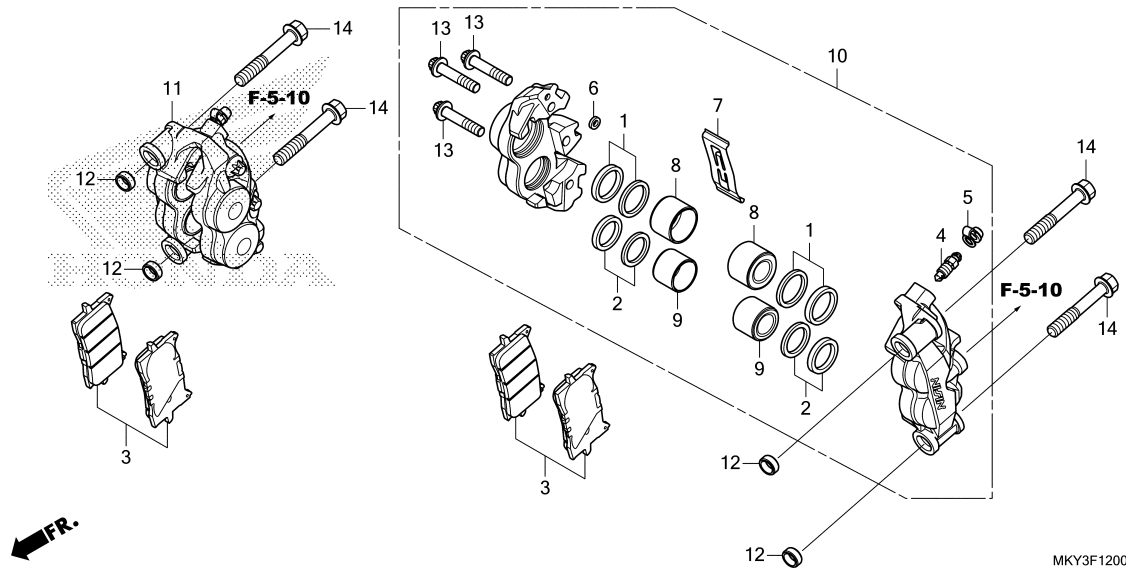
Ref. No.	L.O.N.	(Relative ref. Number) Description	F.R.T.
3	7111A0	SHOE(PAD) SET, BRAKE :LEFT FRONT	0.1
	7111A1	SHOE(PAD) SET, BRAKE :RIGHT FRONT	0.1
	7111A2	SHOE(PAD) SET, BRAKE :BOTH FRONT	0.2
8	(1,2,9)		
	7111D2	PISTON, FRONT BRAKE CALIPER :LEFT	0.6
		.INCLUDES: Bleed brakes .NOTE: Same time for two units or more	
	7111D3	PISTON, FRONT BRAKE CALIPER :RIGHT	0.6
		.INCLUDES: Bleed brakes .NOTE: Same time for two units or more	
	7111D4	PISTON, FRONT BRAKE CALIPER :BOTH	1.0
		.INCLUDES: Bleed brakes	
10	7111B5	CALIPER, FRONT BRAKE :LEFT ...	0.3
		.INCLUDES: Bleed brakes	
11	7111B6	CALIPER, FRONT BRAKE :RIGHT ..	0.3
		.INCLUDES: Bleed brakes	
+	7111B7	CALIPER, FRONT BRAKE :BOTH ...	0.4

Ref. No.	Part No.	Description	Reqd. QTY						Serial No.	Parts catalogue code
			CB 650RA			CBR 650RA				
			M	N	P	M	N	P		
1	06451-MCZ-006	SEAL SET, PISTON	4	4	4	4	4	4		
2	06452-MCZ-006	SEAL SET, PISTON	4	4	4	4	4	4		
3	06455-MKN-D51	PAD SET, FR.	2	2	2	2	2	2		
4	43352-568-003	SCREW, BLEEDER(NISSIN)	2	2	2	2	2	2		
5	43353-461-771	CAP, BLEEDER	2	2	2	2	2	2		
6	45103-MR7-006	SEAL, JOINT	2	2	2	2	2	2		
7	45106-MJP-G51	SPRING, PAD	2	2	2	2	2	2		
8	45107-MJP-G52	PISTON A	4	4	4	4	4	4		
9	45117-MJP-G52	PISTON B	4	4	4	4	4	4		
10	45150-MJP-G52	CALIPER SUB ASSY., L. FR. (NISSIN)	1	1	1	1	1	1		
11	45250-MJP-G52	CALIPER SUB ASSY., R. FR. (NISSIN)	1	1	1	1	1	1		
12	51497-MKN-D50	SPACER, FR. FORK	4	4	4	4	4	4		
13	90104-MJP-G51	BOLT, TORX, 8X38	6	6	6	6	6	6		
14	90123-MJP-G50	BOLT, FLANGE, 10X57	4	4	4	4	4	4		



F-12

FRONT BRAKE CALIPER

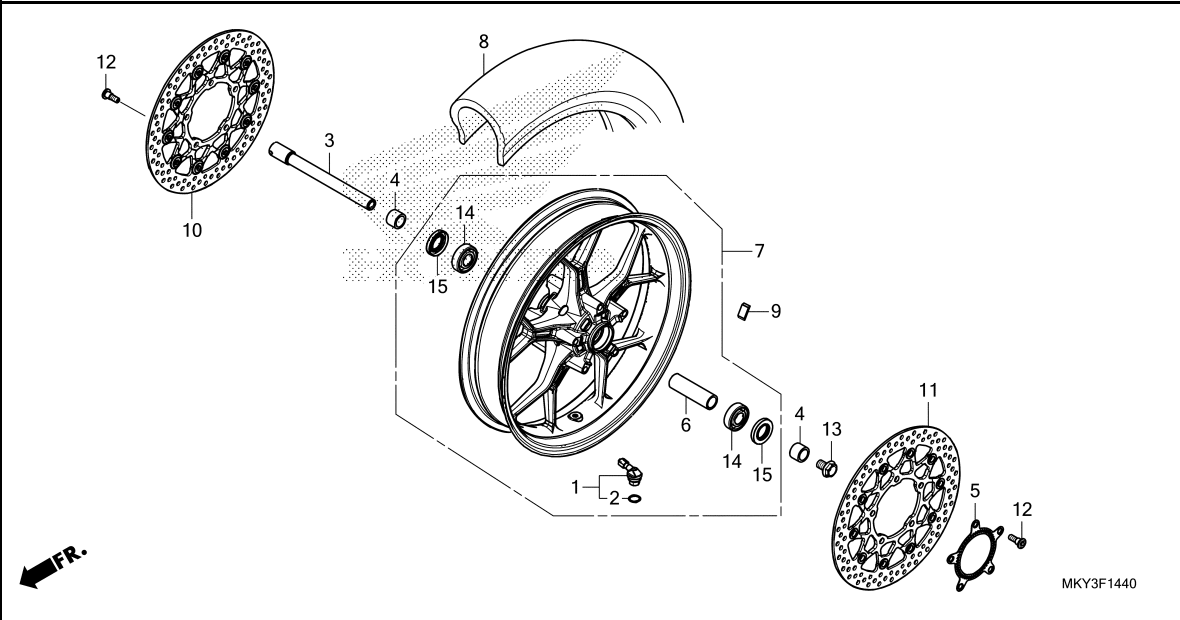


Ref. No.	L.O.N.	(Relative ref. Number) Description	F.R.T.
----------	--------	---------------------------------------	--------

+11		.INCLUDES: Bleed brakes	
-----	--	-------------------------	--

F-14-40

FRONT WHEEL



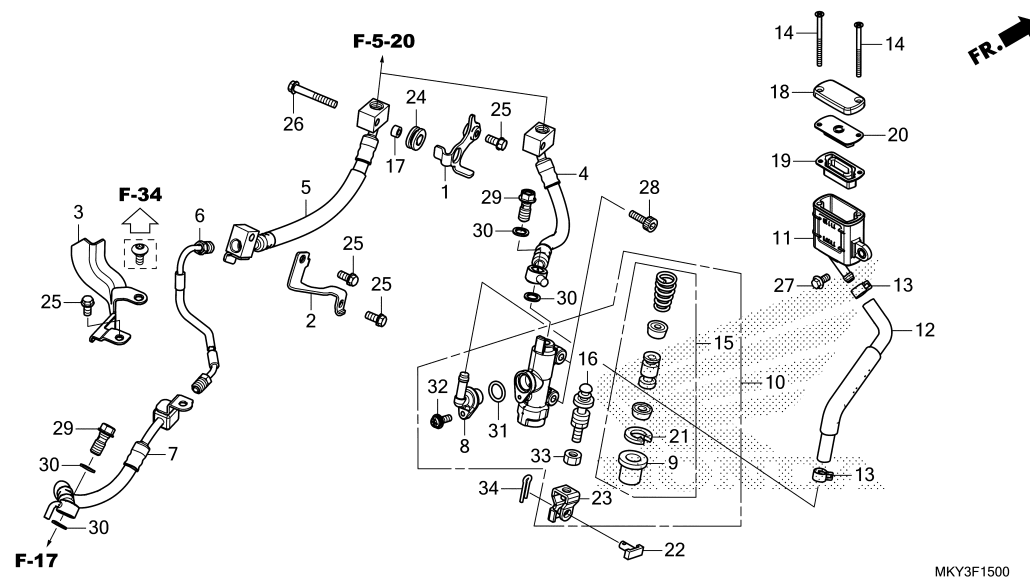
Ref. No.	L.O.N.	(Relative ref. Number) Description	F.R.T.
1		(2)	
7101K1		VALVE, CLAMP IN :FRONTINCLUDES: Balance	0.9
3		(15)	
710151		AXLE, FRONT WHEEL	0.3
5 7101B0		RING, PULSER :FRONT	0.4
7 7101D4		FRONT WHEELINCLUDES: Balance	1.0
8 710139		FRONT TIRE(ONE)INCLUDES: Balance	0.9
9 7101A6		WEIGHT, BALANCE :FRONT	0.6
10 7111D8		DISC, FRONT BRAKE :RIGHT	0.4
11 7111D7		DISC, FRONT BRAKE :LEFT	0.4
7111D9		DISC, FRONT BRAKE :BOTH	0.5
14 710115		BEARING, FRONT WHEEL(ONE)	0.5
710115G		.Replace 1 bearing add	0.1

Ref. No.	Part No.	Description	Reqd. QTY						Serial No.	Parts catalogue code
			CB 650RA			CBR 650RA				
			M	N	P	M	N	P		
1	42755-MKA-D81	VALVE ASSY., CLAMP IN	1	1	1	1	1	1		
2	42758-MKA-D81	O-RING	1	1	1	1	1	1		
3	44301-MKN-D50	AXLE, FR. WHEEL	1	1	1	1	1	1		
4	44311-MGH-640	COLLAR, R. FR. WHEEL SIDE (BOTH SIDES)	2	2	2	2	2	2		
5	44515-MKN-D50	RING, FR. PULSER	1	1	-	1	1	-		
	44515-MKY-DN0	-	-	1	-	-	1		
6	44620-MJE-D00	COLLAR, FR. AXLE DISTANCE	1	1	1	1	1	1		
7	44650-MKY-D50ZA	WHEEL SUB ASSY., FR.(WOL)							-----	3ED,3FO,5ED,7ED,CH,ED,FO,IN,KO,MA,PH,RU,U,V
	TYPE2	1	1	1	-	-	-	-----	2ED,2FO,2IN,2KO,2MA,2PH,2RU,2U,2V,4ED
	44650-MKY-D50ZB	*TYPE1*	-	-	1	-	-	-	-----	2CH,2ED,2FO,2GS,2KO,2MA,2PH,2RU,2U,2V,4ED,4FO
	44650-MKY-D30ZA	WHEEL SUB ASSY., FR.(WL)				1	1	1	-----	2CH,2ED,2FO,2GS,2KO,2MA,2PH,2RU,2U,2V,4ED,4FO
	TYPE1	-	-	-	1	1	1	-----	3ED,3FO,CH,ED,FO,GS,KO,MA,PH,RU,U,V
	44650-MKY-D50ZB	WHEEL SUB ASSY., FR.(WOL)				1	1	1	-----	3ED,3FO,CH,ED,FO,GS,KO,MA,PH,RU,U,V
	TYPE1	-	-	-	1	1	1	-----	3ED,3FO,CH,ED,FO,GS,KO,MA,PH,RU,U,V
8	44711-MKN-D52	TIRE, FR.(DUNLOP) (120/70ZR17M/C 58W)	1	1	1	1	1	1		
9	44721-MGH-H21	WEIGHT, BALANCE(10G)	N	N	N	N	N	N		
	44722-MGH-H21	WEIGHT, BALANCE(15G)	N	N	N	N	N	N		
	44723-MGH-H21	WEIGHT, BALANCE(20G)	N	N	N	N	N	N		
10	45120-MKN-D51	DISK COMP., R. FR. BRAKE	1	1	1	1	1	1		
11	45220-MKN-D51	DISK COMP., L. FR. BRAKE	1	1	1	1	1	1		
12	90105-MGS-D30	BOLT, DISK, 8X25	10	10	10	10	10	10		
13	90112-MKN-D50	BOLT, FR. AXLE	1	1	1	1	1	1		
14	91053-MKY-D51	BEARING, RADIAL BALL, 6204UU (NSK)	2	2	2	2	2	2		
15	91252-MC4-013	OIL SEAL, 28X47.2X7(ARAI)	2	2	2	2	2	2		



F-15

REAR BRAKE MASTER CYLINDER



MKY3F1500

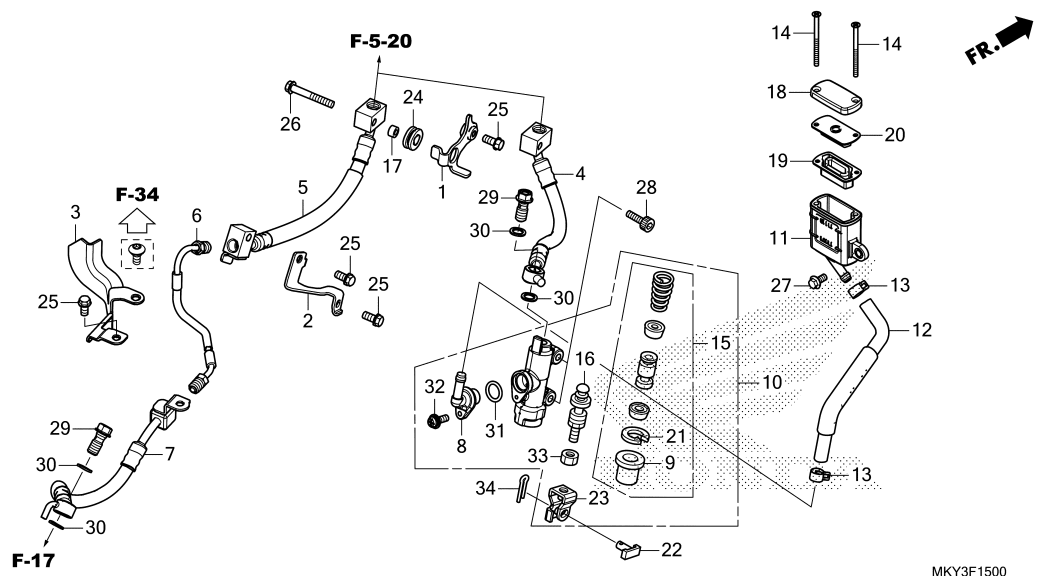
Ref. No.	L.O.N.	(Relative ref. Number) Description	F.R.T.
4	712180	HOSE A, REAR BRAKEINCLUDES: Bleed brakes	0.5
5	7121B2	HOSE D, REAR BRAKEINCLUDES: Bleed brakes	0.6
6	7121E0	PIPE E, REAR BRAKEINCLUDES: Bleed brakes	0.6
7	7121B3	HOSE F, REAR BRAKEINCLUDES: Bleed brakes	0.6
10	712125	CYLINDER, REAR BRAKE MASTER .. .INCLUDES: Bleed brakes	0.5
11	7121F6	CUP, REAR MASTER CYLINDER OIL .INCLUDES: Bleed brakes	0.2
12	7121C2	HOSE, REAR MASTER CYLINDER OIL CUPINCLUDES: Bleed brakes	0.3
15	7121H0	PISTON SET, REAR BRAKE MASTER .INCLUDES: Bleed brakes	0.5
19	7121G7	DIAPHRAGM, REAR BRAKE MASTER CYLINDER	0.1

Ref. No.	Part No.	Description	Reqd. QTY						Serial No.	Parts catalogue code
			CB 650RA			CBR 650RA				
			M	N	P	M	N	P		
1	43160-MKN-D50	STAY A, RR. BRAKE	1	1	1	1	1	1		
2	43161-MKN-D50	STAY B, RR. BRAKE	1	1	1	1	1	1		
3	43162-MKN-D50	STAY C, RR. BRAKE	1	1	1	1	1	1		
4	43310-MKN-D51	HOSE COMP. A, RR. BRAKE	1	1	1	1	1	1	-----	----- 2ED,2FO,2GS,2IN,2KO,2MA,2PH,2RU,2U,2V,3ED,3FO,4ED,4FO 5ED,7ED,ED,FO,GS,IN,KO,MA,PH,RU,U,V
	43310-MKN-H52	1	1	-	1	1	-	-----	----- 2CH,CH
5	43313-MKY-D51	HOSE COMP. D, RR. BRAKE	1	1	1	1	1	1	-----	----- 2ED,2FO,2GS,2IN,2KO,2MA,2PH,2RU,2U,2V,3ED,3FO,4ED,4FO 5ED,7ED,ED,FO,GS,IN,KO,MA,PH,RU,U,V
	43313-MKY-H51	1	1	-	1	1	-	-----	----- 2CH,CH
6	43314-MKN-D50	PIPE COMP. E, RR. BRAKE	1	1	1	1	1	1		
7	43315-MKN-D51	HOSE COMP. F, RR. BRAKE	1	1	1	1	1	1	-----	----- 2ED,2FO,2GS,2IN,2KO,2MA,2PH,2RU,2U,2V,3ED,3FO,4ED,4FO 5ED,7ED,ED,FO,GS,IN,KO,MA,PH,RU,U,V
	43315-MKN-H52	1	1	-	1	1	-	-----	----- 2CH,CH
8	43503-MR7-006	CONNECTOR	1	1	1	1	1	1		
9	43504-MB2-006	BOOT COMP.	1	1	1	1	1	1		
10	43510-MKN-D51	CYLINDER SUB ASSY., RR. BRAKE MASTER(NISSIN)	1	1	1	1	1	1		
11	43511-K31-601	CUP COMP., OIL	1	1	1	1	1	1		
12	43512-MKN-D51	HOSE COMP., RR. BRAKE MASTER CYLINDER	1	1	1	1	1	1		
13	43514-KS6-701	CLAMP, MASTER CYLINDER OIL HOSE	2	2	2	2	2	2		
14	43516-MKY-D51	SCREW, FLAT, 4X56	2	2	2	2	2	2		
15	43520-MB2-315	PISTON SET, MASTER CYLINDER (NISSIN)	1	1	1	1	1	1		
16	43530-KV3-701	ROD COMP., PUSH	1	1	1	1	1	1		



F-15

REAR BRAKE MASTER CYLINDER

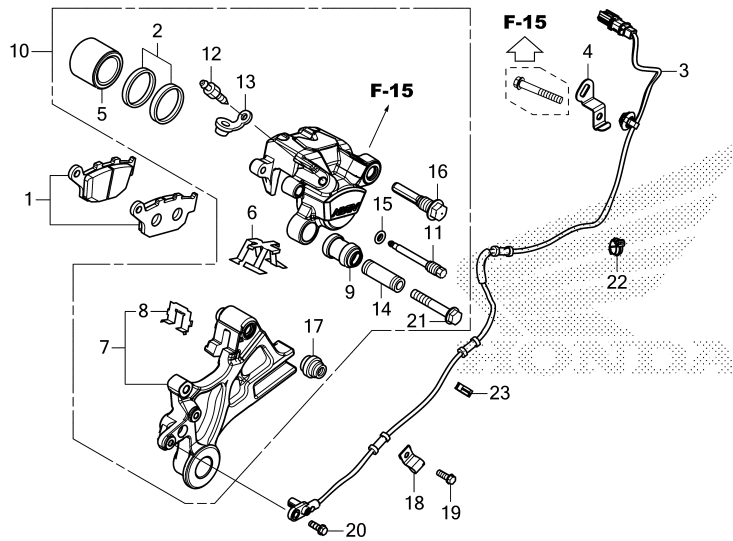


Ref. No.	Part No.	Description	Reqd. QTY						Serial No.	Parts catalogue code
			CB 650RA			CBR 650RA				
			M	N	P	M	N	P		
17	45161-K87-L50	COLLAR, BRAKE HOSE STAY.....	1	1	1	1	1	1		
18	45513-K33-D01	CAP, MASTER CYLINDER.....	1	1	1	1	1	1		
19	45520-GW0-911	DIAPHRAGM.....	1	1	1	1	1	1		
20	45521-GW0-911	PLATE, DIAPHRAGM.....	1	1	1	1	1	1		
21	46182-MEL-D21	CIRCLIP.....	1	1	1	1	1	1		
22	46503-MFG-D00	PIN COMP., BRAKE ROD.....	1	1	1	1	1	1		
23	46504-MAL-601	JOINT, BRAKE ROD.....	1	1	1	1	1	1		
24	64312-KWW-640	GROMMET, MAIN PIPE COVER.....	1	1	1	1	1	1		
25	90013-GHB-620	BOLT, FLANGE, 6X14.....	4	4	4	4	4	4		
26	90013-GHB-710	BOLT, FLANGE, 6X40.....	1	1	1	1	1	1		
27	90017-GHB-620	BOLT, FLANGE, 6X14(NSHF).....	1	1	1	1	1	1		
28	90135-MEL-000	BOLT, SOCKET, 6X20.....	2	2	2	2	2	2		
29	90145-MS9-612	BOLT, OIL, 10X22(SAGA).....	2	2	2	2	2	2		
30	90545-300-000	WASHER, OIL BOLT.....	4	4	4	4	4	4		
31	91212-422-006	O-RING, 14.8X2.4.....	1	1	1	1	1	1		
32	93893-04012-17	SCREW-WASHER, 4X12.....	1	1	1	1	1	1		
33	94002-08000-0S	NUT, HEX., 8MM.....	1	1	1	1	1	1		
34	94201-20120	PIN, SPLIT, 2.0X12.....	1	1	1	1	1	1		

3

F-17

REAR BRAKE CALIPER



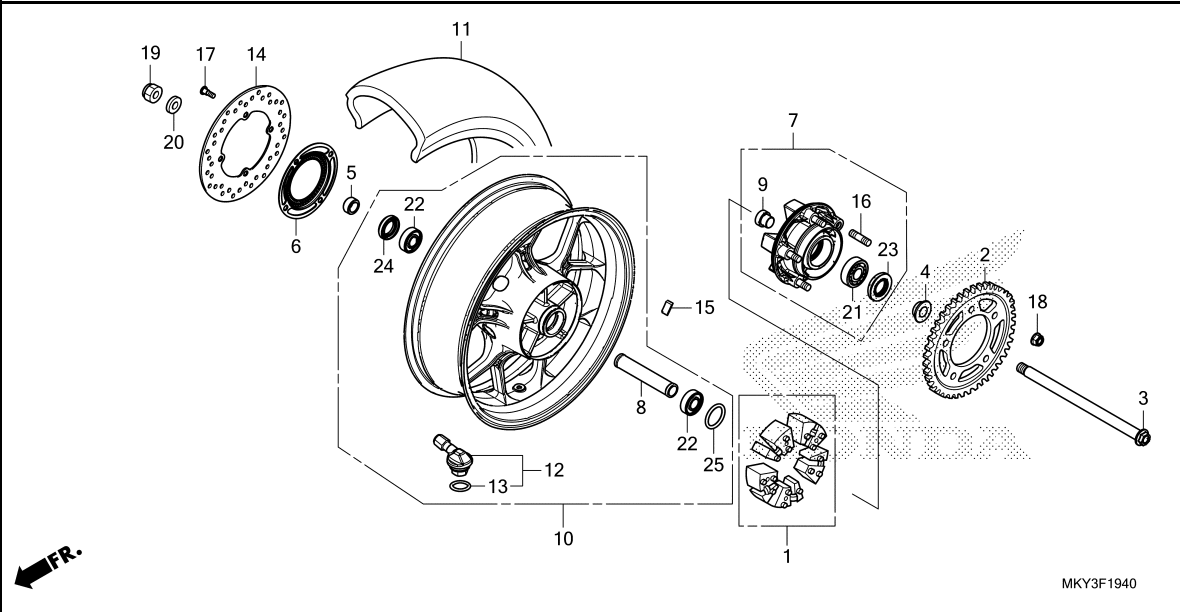
MKY3F1700

Ref. No.	L.O.N.	(Relative ref. Number) Description	F.R.T.
1	711140	SHOE(PAD) SET, BRAKE :REAR ...	0.1
3	617197	SENSOR, WHEEL SPEED :REAR	0.5
5	7111D5	(2) PISTON, REAR BRAKE CALIPER ...	0.5
7	7111C1	.INCLUDES: Bleed brakes BRACKET, REAR CALIPER	0.5
10	711155	CALIPER, REAR BRAKE	0.6
		.INCLUDES: Bleed brakes	

Ref. No.	Part No.	Description	Reqd. QTY						Serial No.	Parts catalogue code
			CB 650RA			CBR 650RA				
			M	N	P	M	N	P		
1	06435-MGZ-J02	PAD SET, RR.....	1	1	1	1	1	1		
2	06451-443-405	SEAL SET, PISTON.....	1	1	1	1	1	1		
3	38510-MKN-D51	SENSOR, RR. WHEEL SPEED.....	1	1	1	1	1	1		
4	38515-MJE-D10	STAY, RR. SENSOR CORD.....	1	1	1	1	1	1		
5	43107-KT7-761	PISTON.....	1	1	1	1	1	1		
6	43108-MBB-006	SPRING, PAD.....	1	1	1	1	1	1		
7	43110-MJE-DB1	BRACKET COMP., RR. BRAKE (NISSIN)	1	1	1	1	1	1		
8	43112-KT7-761	RETAINER.....	1	1	1	1	1	1		
9	43132-KT7-761	BOOT, SLEEVE.....	1	1	1	1	1	1		
10	43150-MJE-DB1	CALIPER SUB ASSY., RR. BRAKE (NISSIN)	1	1	1	1	1	1		
11	43215-KZ4-J41	PIN, HANGER.....	1	1	1	1	1	1		
12	43352-568-003	SCREW, BLEEDER(NISSIN).....	1	1	1	1	1	1		
13	43353-461-771	CAP, BLEEDER.....	1	1	1	1	1	1		
14	45111-MA3-006	SLEEVE.....	1	1	1	1	1	1		
15	45111-MAJ-G41	RING, STOPPER.....	1	1	1	1	1	1		
16	45131-MN9-006	BOLT, PIN.....	1	1	1	1	1	1		
17	45133-MA3-006	BOOT B.....	1	1	1	1	1	1		
18	45157-MKH-D00	CLAMPER A, SENSOR CORD.....	1	1	1	1	1	1		
19	90013-GHB-610	BOLT, FLANGE, 6X12.....	1	1	1	1	1	1		
20	90111-MKN-D50	BOLT, FLANGE, 6X16.....	1	1	1	1	1	1		
21	90180-MN8-006	BOLT, FLANGE, 8X49.....	1	1	1	1	1	1		
22	90690-MCA-003	CLIP, CABLE, 14MM.....	1	1	1	1	1	1		
23	90690-MJE-D11	CLIP, CABLE, 10MM.....	1	1	1	1	1	1		

F-19-40

REAR WHEEL



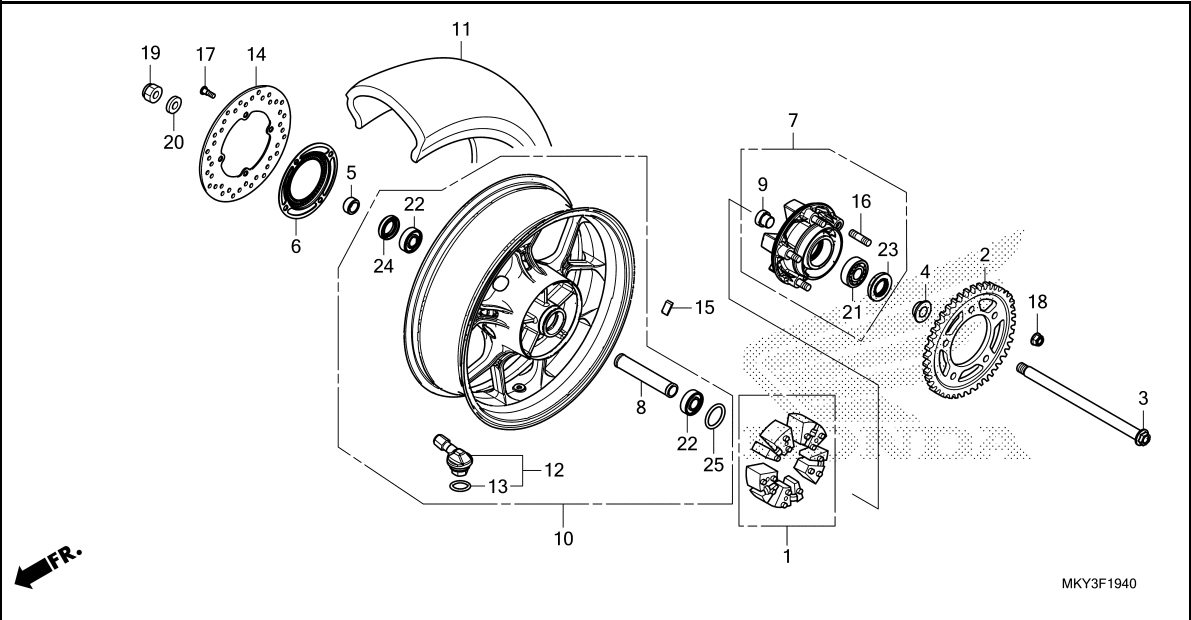
Ref. No.	L.O.N.	(Relative ref. Number) Description	F.R.T.
1		(25)	
710157		DAMPER, REAR WHEEL	0.4
2		SPROCKET, FINAL DRIVEN	0.5
3		(23,24)	
710160		AXLE, REAR WHEEL	0.4
6		RING, PULSER :REAR	0.5
7		FLANGE ASSY., FINAL DRIVEN ...	0.5
10		REAR WHEEL	1.1
11		.INCLUDES: Balance REAR TIRE(ONE)	1.0
12		.INCLUDES: Balance (13)	
7101K2		VALVE, CLAMP IN :REAR	1.0
14		.INCLUDES: Balance DISC, REAR BRAKE	0.5
15		WEIGHT, BALANCE :REAR	0.7
21		BEARING, FINAL DRIVEN FLANGE .	0.6
22		BEARING, REAR WHEEL(ONE)	0.6
710133G		.Replace 1 bearing add	0.1

Ref. No.	Part No.	Description	Reqd. QTY						Serial No.	Parts catalogue code
			CB 650RA			CBR 650RA				
			M	N	P	M	N	P		
1	06410-MGS-D30	DAMPER SET, WHEEL	1	1	1	1	1	1		
2	41201-MKN-D50	SPROCKET, FINAL DRIVEN(42T) ..	1	1	-	1	1	-		
	41201-MKN-D51	-	-	1	-	-	1		
3	42301-MKY-D50	AXLE, RR. WHEEL	1	1	1	1	1	1		
4	42311-MER-D00	COLLAR, L. RR. WHEEL SIDE	1	1	1	1	1	1		
5	42312-MER-D00	COLLAR, RR. BRAKE SIDE	1	1	1	1	1	1		
6	42515-MKN-D50	RING, RR. PULSER	1	1	-	1	1	-		
	42515-MKY-DN0	-	-	1	-	-	1		
7	42615-MJE-D00	FLANGE SUB ASSY., RR. DRIVEN .	1	1	1	1	1	1		
8	42620-MKN-D50	COLLAR, RR. AXLE DISTANCE	1	1	1	1	1	1		
9	42625-MER-D00	COLLAR B, RR. WHEEL DISTANCE .	1	1	1	1	1	1		
10	42650-MKY-D50ZA	WHEEL SUB ASSY., RR.(WOL)								
	TYPE2	1	1	1	-	-	-	-----	3ED,3FO,5ED,7ED,CH,ED,FO,IN,KO,MA,PH,RU,U,V
	42650-MKY-D50ZB	*TYPE1*	-	-	1	-	-	-	-----	2ED,2FO,2IN,2KO,2MA,2PH,2RU,2U,2V,4ED
	42650-MKY-D30ZA	WHEEL SUB ASSY., RR.(WL)								
	TYPE1	-	-	-	1	1	1	-----	2CH,2ED,2FO,2GS,2KO,2MA,2PH,2RU,2U,2V,4ED,4FO
	42650-MKY-D50ZB	WHEEL SUB ASSY., RR.(WOL)								
	TYPE1	-	-	-	1	1	1	-----	3ED,3FO,CH,ED,FO,GS,KO,MA,PH,RU,U,V
11	42711-MKN-D52	TIRE, RR.(DUNLOP) (180/55ZR17M/C 73W)	1	1	1	1	1	1		
12	42755-MKA-D81	VALVE ASSY., CLAMP IN	1	1	1	1	1	1		
13	42758-MKA-D81	O-RING	1	1	1	1	1	1		
14	43251-MKY-D51	DISK, RR. BRAKE	1	1	1	1	1	1		
15	44721-MGH-H21	WEIGHT, BALANCE(10G)	N	N	N	N	N	N		
	44722-MGH-H21	WEIGHT, BALANCE(15G)	N	N	N	N	N	N		
	44723-MGH-H21	WEIGHT, BALANCE(20G)	N	N	N	N	N	N		



F-19-40

REAR WHEEL

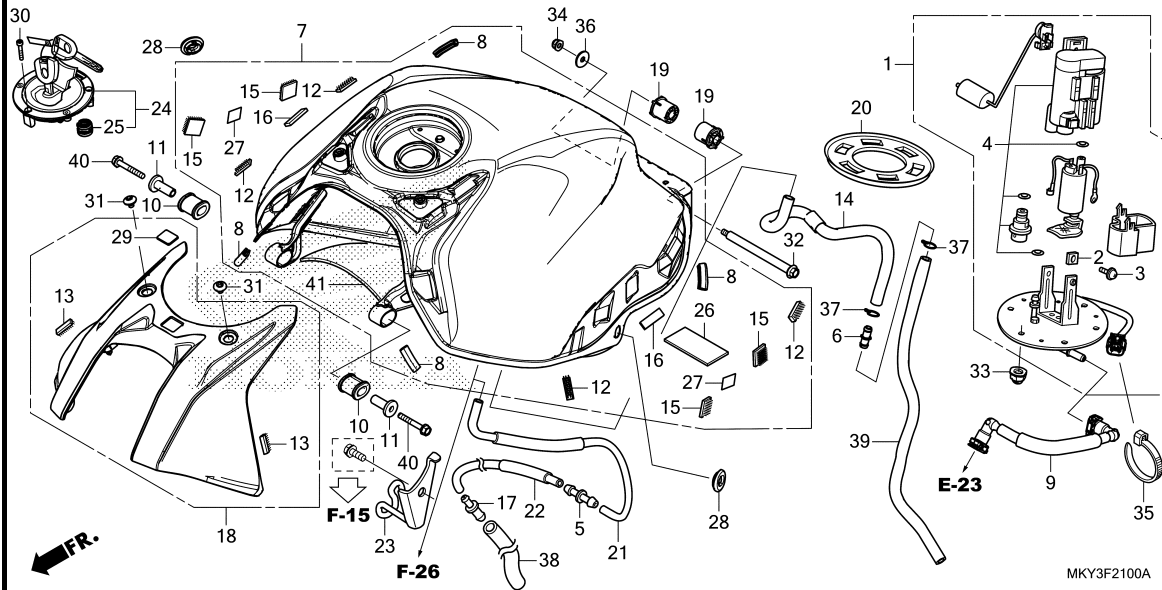


Ref. No.	Part No.	Description	Reqd. QTY						Serial No.	Parts catalogue code
			CB 650RA			CBR 650RA				
			M	N	P	M	N	P		
16	90102-MAS-000	BOLT, STUD, 12X25	5	5	5	5	5	5		
17	90105-MGS-D30	BOLT, DISK, 8X25	4	4	4	4	4	4		
18	90306-KGH-901	NUT, U, 12MM(FUJI SEIMITSU) ..	5	5	5	5	5	5		
19	90306-MJE-D01	NUT, U, 18MM	1	1	1	1	1	1	-----	2CH, 2ED, 2FO, 2GS, 2IN, 2KO, 2MA, 2PH, 2RU, 2U, 2V, 3ED, 3FO, 4ED, 4FO, CH, ED, FO, GS, IN, KO, MA, PH, RU, U, V
	90306-MCS-G01	1	-	-	-	-	-	-----	5ED, 7ED
20	90401-KZ4-890	WASHER, 18X32X2	1	1	1	1	1	1		
21	91051-MAS-003	BEARING, RADIAL BALL, 63/22 ..	1	1	1	1	1	1		
22	91053-MKY-D51	BEARING, RADIAL BALL, 6204UU (NSK)	2	2	2	2	2	2		
23	91252-MAS-003	DUST SEAL, 30X56X7.5	1	1	1	1	1	1		
24	91253-MAE-003	DUST SEAL, 30X47X7.5	1	1	1	1	1	1		
25	91351-MGS-D30	O-RING, 55X2	1	1	1	1	1	1		



F-21

FUEL TANK



Ref. No.	L.O.N.	(Relative ref. Number) Description	F.R.T.
1	(20)		
1	310120	PUMP ASSY., FUEL	0.7
4	3101C7	FILTER, FUEL	0.8
7	310100	TANK, FUEL	0.6
9	310162	HOSE, FUEL FEED	0.3
18	4131NN	COVER, FUEL TANK INNER	0.1
24	(25)		
	3101C1	LOCKING FUEL TANK CAP	0.1

Ref. No.	Part No.	Description	Reqd. QTY						Serial No.	Parts catalogue code
			CB 650RA			CBR 650RA				
			M	N	P	M	N	P		
1	16700-MKN-D51	PUMP ASSY., FUEL	1	-	-	1	-	-	-----	2ED,2FO,2KO,2MA,2U,3ED,4ED,ED,FO,IN,KO,MA,U
	16700-MKN-D52	1	-	-	-	-	-	-----	5ED,7ED,CH
			-	1	1	-	1	1	-----	2CH,CH
2	16711-MGS-D31	STOPPER	2	2	2	2	2	2	-----	
3	16712-MGS-D31	SCREW, 4X6.6	2	2	2	2	2	2	-----	
4	16730-MKA-D82	FILTER ASSY., FUEL	1	-	-	1	-	-	-----	2ED,2FO,2KO,2MA,2U,3ED,4ED,ED,FO,IN,KO,MA,U
	16730-MKT-D01	1	-	-	-	-	-	-----	5ED,7ED,CH
			-	1	1	-	1	1	-----	2CH,CH
5	16958-GJ6-000	JOINT, FUEL TUBE	1	1	1	1	1	1	-----	2IN,2MA,2RU,2U,IN,MA,RU,U
6	17359-419-670	JOINT, BREATHER TUBE	1	1	1	1	1	1	-----	
7	17500-MKY-D50ZH	TANK ASSY., FUEL(WL)							-----	
	TYPE1	1	1	1	-	-	-	-	-----	3ED,3FO,ED,FO,IN,KO,MA,U
	17500-MKY-D50ZG	*TYPE1	1	1	-	-	-	-	-----	3ED,3FO,ED,FO,IN,MA
	17500-MKY-H50ZB	*TYPE1	1	1	-	-	-	-	-----	CH
	17500-MKY-H50ZC	*TYPE1*	1	1	-	-	-	-	-----	CH
	17500-MKY-D50ZC	*TYPE2*	1	-	-	-	-	-	-----	3ED,ED,FO,KO,U
	17500-MKY-D50ZB	*TYPE3*	1	-	-	-	-	-	-----	3ED,ED,KO
	17500-MKY-J50ZA	*TYPE1*	1	-	-	-	-	-	-----	5ED,7ED
	17500-MKY-J50ZC	*TYPE4*	1	-	-	-	-	-	-----	5ED,7ED
	17500-MKY-J50ZE	*TYPE2*	1	-	-	-	-	-	-----	5ED,7ED
	17500-MKY-H50ZG	*TYPE2*	1	-	-	-	-	-	-----	CH
	17500-MKY-D50ZB	*TYPE3*	-	1	-	-	-	-	-----	3ED,3FO,ED,IN,KO,MA,U
	17500-MKY-D40ZA	*TYPE1*	-	1	-	-	-	-	-----	3ED,ED,IN,KO
	17500-MKY-H40ZA	*TYPE1*	-	1	-	-	-	-	-----	CH
	17500-MKY-D50ZC	*TYPE2*	-	1	-	-	-	-	-----	FO

3

F-21

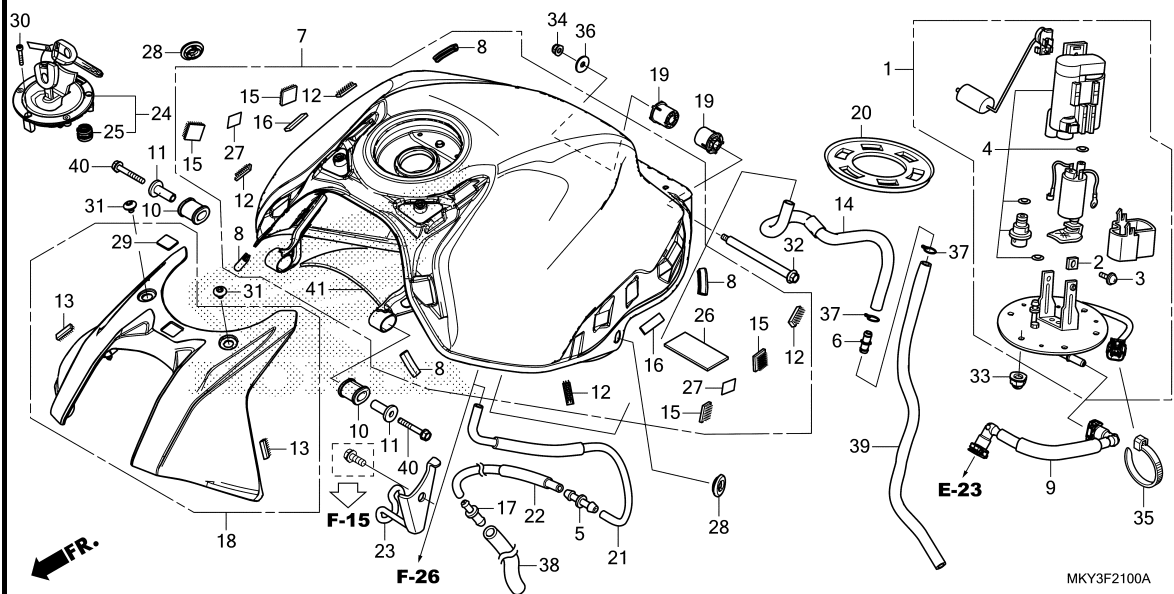
FUEL TANK

Ref. No.	Part No.	Description	Reqd. QTY						Serial No.	Parts catalogue code
			CB 650RA			CBR 650RA				
			M	N	P	M	N	P		
(7)	17500-MKY-DP0ZA	TANK ASSY., FUEL(WL) *NH436M*								
		MAT GUNPOWDER BLACK METALLIC	-	-	1	-	-	-	----- 2ED, 2FO, 2IN, 2KO, 2MA, 2PH, 2RU, 2U, 2V, 4ED	
	17500-MKY-DN0ZG	*R381C*CANDY CHROMOSPHERE RED	-	-	1	-	-	-	----- 3ED, 3FO, ED, IN, MA, PH, RU, U, V	
	17500-MKY-DN0ZJ	*NHC34M*MAT DIM GRAY METALLIC	-	-	1	-	-	-	----- 3ED, 3FO, ED, KO, PH, RU, V	
	17500-MKY-DN0ZH	*PB417M* MAT JEANS BLUE METALLIC	-	-	1	-	-	-	----- 3ED, ED, KO, MA, PH, RU	
	17500-MKY-H30ZA	*TYPE1*.....	-	-	-	1	-	-	----- 2CH	
	17500-MKY-D30ZB	*TYPE1*.....	-	-	-	1	-	-	----- 2ED, 2FO, 2KO, 2MA, 4ED	
	17500-MKY-D30ZA	*TYPE2*.....	-	-	-	1	-	-	----- 2U	
	17500-MKY-D10ZC	*TYPE1 1*.....	-	-	-	1	-	-	----- 3ED, ED, FO, KO, MA, U	
	17500-MKY-H10ZA	*TYPE1*.....	-	-	-	1	-	-	----- CH	
	17500-MKY-H20ZA	*TYPE1*.....	-	-	-	1	-	-	----- 2CH	
	17500-MKY-D20ZB	*TYPE1*.....	-	-	-	1	-	-	----- 2ED, 2KO, 2MA, 2U, 4ED, 4FO	
	17500-MKY-D30ZB	*TYPE1*.....	-	-	-	1	-	-	----- 2FO	
	17500-MKY-D20ZA	*TYPE2*.....	-	-	-	1	-	-	----- 2U	
	17500-MKY-D00ZA	*TYPE1*.....	-	-	-	1	-	-	----- 3ED, 3FO, ED, KO, MA, U	
	17500-MKY-H00ZA	*TYPE1*.....	-	-	-	1	-	-	----- CH	
	17500-MKY-D10ZC	*TYPE1 1*.....	-	-	-	1	-	-	----- FO	
	17500-MKY-DM0ZA	*TYPE1*.....	-	-	-	-	1	-	----- 2ED, 2GS, 2KO, 2MA, 2PH, 2RU, 2U, 2V, 4ED, 4FO	
	17500-MKY-DL0ZA	*TYPE1*.....	-	-	-	-	1	-	----- 3ED, 3FO, ED, GS, KO, MA, PH, RU, U, V	
8	17516-KCZ-000ZB	TRIM, FUEL TANK *NH1*.....BLACK	4	4	4	4	4	4		
9	17526-MKY-D51	HOSE COMP., FUEL FEED.....	1	1	1	1	1	1		
10	17534-MKN-D50	RUBBER, FR. TANK MOUNTING....	2	2	2	2	2	2		
11	17538-KZZ-900	COLLAR.....	2	2	2	2	2	2		
12	17540-MJE-D00	FASTENER A, DUAL LOCK, 8X25..	4	4	4	4	4	4		
13	17541-MJE-D00	FASTENER C, DUAL LOCK, 8X25..	2	2	2	2	2	2		
14	17543-MJE-D00	TUBE, DRAIN.....	1	1	1	1	1	1		
15	17543-MJE-DB0	FASTENER F, DUAL LOCK, 20X20..	4	4	4	4	4	4		
16	17550-MKY-D50	RUBBER, PROTECTOR.....	2	2	2	2	2	2		
17	17561-KVG-900	JOINT, FUEL TUBE.....	1	1	1	1	1	1	----- 2IN, 2MA, 2RU, 2U, IN, MA, RU, U	
18	17570-MKY-D50ZG	COVER ASSY., FUEL TANK FR. (WOL)								
		NH436M MAT GUNPOWDER BLACK METALLIC	1	1	-	-	-	-	----- 3ED, 3FO, CH, ED, FO, IN, KO, MA, U	
	17570-MKY-D50ZA	*R381C*CANDY CHROMOSPHERE RED	1	1	-	-	-	-	----- 3ED, 3FO, CH, ED, FO, IN, MA	
	17570-MKY-D50ZJ	*NHC53P*.....PEARL SMOKY GRAY	1	-	-	-	-	-	----- 3ED, CH, ED, FO, KO, U	
	17570-MKY-D50ZB	*PB417M* MAT JEANS BLUE METALLIC	1	-	-	-	-	-	----- 3ED, ED, KO	
	17570-MKY-D60ZA	COVER ASSY., FUEL TANK FR.(WL) *R381C*CANDY CHROMOSPHERE RED	1	-	-	-	-	-	----- 5ED, 7ED	
	17570-MKY-D60ZB	*PB417M* MAT JEANS BLUE METALLIC	1	-	-	-	-	-	----- 5ED, 7ED	
	17570-MKY-D60ZC	*NH436M* MAT GUNPOWDER BLACK METALLIC	1	-	-	-	-	-	----- 5ED, 7ED	
	17570-MKY-D50ZB	COVER ASSY., FUEL TANK FR. (WOL)								
		PB417M MAT JEANS BLUE METALLIC	-	1	-	-	-	-	----- 3ED, 3FO, ED, IN, KO, MA, U	
	17570-MKY-D50ZR	*NHA95M*SWORD SILVER METALLIC	-	1	-	-	-	-	----- 3ED, CH, ED, IN, KO	
	17570-MKY-D50ZJ	*NHC53P*.....PEARL SMOKY GRAY	-	1	-	-	-	-	----- FO	
	17570-MKY-D50ZG	*NH436M* MAT GUNPOWDER BLACK METALLIC	-	-	1	-	-	-	----- 2ED, 2FO, 2IN, 2KO, 2MA, 2PH, 2RU, 2U, 2V, 4ED	
	17570-MKY-D50ZA	*R381C*CANDY CHROMOSPHERE RED	-	-	1	-	-	-	----- 3ED, 3FO, ED, IN, MA, PH, RU, U, V	
	17570-MKY-D50ZT	*NHC34M*MAT DIM GRAY METALLIC	-	-	1	-	-	-	----- 3ED, 3FO, ED, KO, PH, RU, V	



F-21

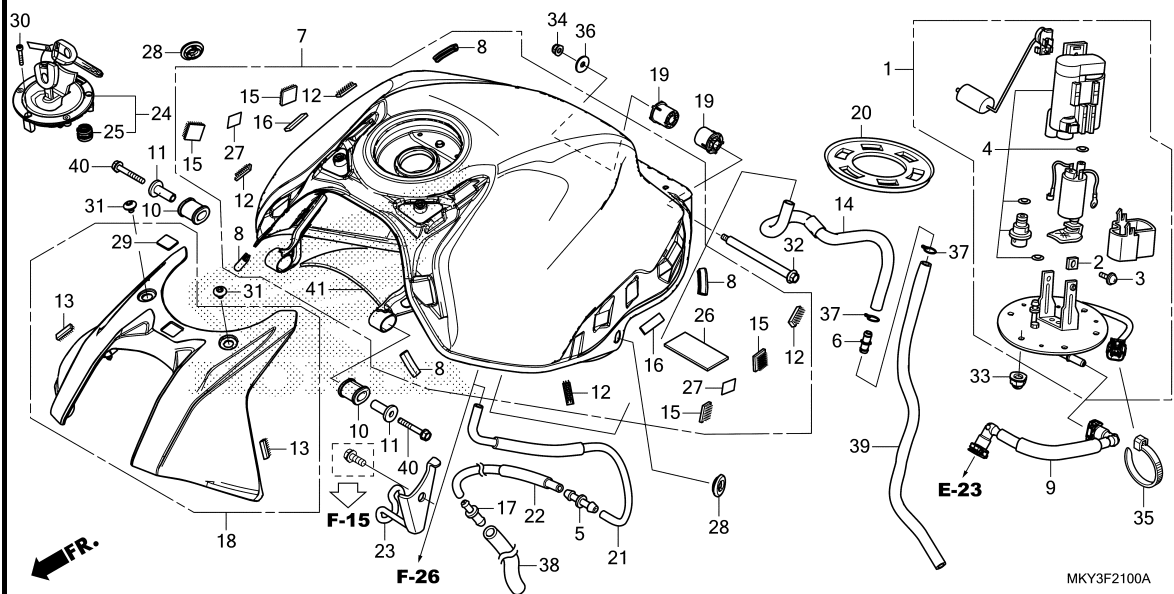
FUEL TANK



Ref. No.	Part No.	Description	Reqd. QTY						Serial No.	Parts catalogue code
			CB 650RA			CBR 650RA				
			M	N	P	M	N	P		
18)	17570-MKY-D50ZB	COVER ASSY., FUEL TANK FR. (WOL)								
		PB417M								
		MAT JEANS BLUE METALLIC	-	-	1	-	-	-	-----	3ED, ED, KO, MA, PH, RU
	17570-MKY-D50ZF	*R380*.....GRAND PRIX RED	-	-	-	1	-	-	-----	2CH, 2ED, 2FO, 2KO, 2MA, 4ED
	17570-MKY-D50ZJ	*NHC53P*....PEARL SMOKY GRAY	-	-	-	1	-	-	-----	2U
	17570-MKY-D10ZC	COVER ASSY., FUEL TANK FR.(WL) *NH436M*								
		MAT GUNPOWDER BLACK METALLIC	-	-	-	1	-	-	-----	3ED, CH, ED, FO, KO, MA, U
	17570-MKY-D50ZF	COVER ASSY., FUEL TANK FR. (WOL)								
		R380.....GRAND PRIX RED	-	-	-	-	1	1	-----	2CH, 2ED, 2FO, 2GS, 2KO, 2MA, 2PH, 2RU, 2U, 2V, 4ED, 4FO
	17570-MKY-D50ZQ	*PB308P*...PEARL SPENCER BLUE	-	-	-	-	1	-	-----	2U
	17570-MKY-D00ZA	COVER ASSY., FUEL TANK FR.(WL) *NH436M*								
		MAT GUNPOWDER BLACK METALLIC	-	-	-	-	1	-	-----	3ED, 3FO, CH, ED, KO, MA, U
	17570-MKY-D10ZC	*NH436M*								
		MAT GUNPOWDER BLACK METALLIC	-	-	-	-	1	-	-----	FO
	17570-MKY-DL0ZA	*NH436M*								
		MAT GUNPOWDER BLACK METALLIC	-	-	-	-	-	1	-----	3ED, 3FO, ED, GS, KO, MA, PH, RU, U, V
19	17572-MJE-D00	CUSHION, RR. FUEL TANK	2	2	2	2	2	2		
20	17574-MGS-D30	PACKING, BASE	1	1	1	1	1	1		
21	17580-MJE-D00	TUBE, FUEL TANK BREATHER.....	1	1	1	1	1	1	-----	2IN, 2MA, 2RU, 2U, IN, MA, RU, U
22	17581-MJE-D00	TUBE, FUEL TANK BREATHER MIDDLE	1	1	1	1	1	1	-----	2IN, 2MA, 2RU, 2U, IN, MA, RU, U
23	17583-MKN-C50	STAY, BREATHER MIDDLE	1	1	1	1	1	1	-----	2IN, 2MA, 2RU, 2U, IN, MA, RU, U
24	17620-MJE-D03	CAP COMP., FUEL FILLER.....	1	1	-	1	1	-		
	17620-MKY-DP1	CAP COMP, FUEL FILLER.....	-	-	1	-	-	-	-----	2ED, 2FO, 2IN, 2KO, 2MA, 2PH, 2RU, 2U, 2V, 4ED

F-21

FUEL TANK

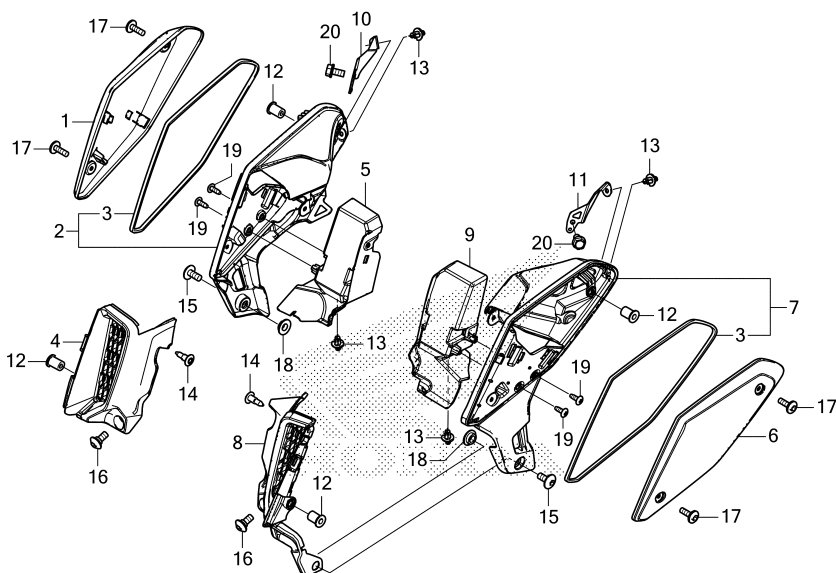


Ref. No.	Part No.	Description	Reqd. QTY						Serial No.	Parts catalogue code	
			CB 650RA			CBR 650RA					
			M	N	P	M	N	P			
24)	17620-MJE-D04	CAP COMP., FUEL FILLER.....	-	-	1	-	-	-	-----	3ED,3FO,ED,IN,KO,MA,PH,RU,U,V	
	25	17621-MGP-D62	SEAL, BREATHER.....	1	1	1	1	1	1		
	26	50173-KWT-700	FILM, PROTECTOR.....	1	1	1	1	1	1		
	27	77227-KVK-900	FILM B, PROTECTOR.....	2	2	2	2	2	2		
	28	83551-300-000	GROMMET, AIR CLEANER CASE...	2	2	2	2	2	2		
	29	86150-KPG-901	EMBLEM, PRODUCT(MARUI).....	1	1	1	1	1	1		
		86150-KPG-902	EMBLEM, PRODUCT(UEHARA).....	-	1	-	-	1	-	-----	2CH,2ED,2KO,2MA,2U,3ED,3FO,4ED,4FO,CH,ED,IN,KO,MA,U
	30	90120-MJE-D00	BOLT, SOCKET, 4X25(SUS).....	3	3	3	3	3	3		
	31	90130-MKN-D50	SCREW, PAN, 6X8.....	2	2	2	-	-	-	-----	3ED,3FO,5ED,7ED,CH,ED,FO,IN,KO,MA,PH,RU,U,V
		90130-MKY-DP0	-	-	2	-	-	-	-----	2ED,2FO,2IN,2KO,2MA,2PH,2RU,2U,2V,4ED
		90130-MKN-D50	-	-	-	2	2	2		
	32	90135-MJE-D00	BOLT, HINGE, 10X102.4.....	1	1	1	1	1	1		
	33	90201-415-000	NUT, CAP, 6MM.....	6	6	6	6	6	6		
	34	90301-473-003	NUT, U, 6MM(FUSE RASHI).....	1	1	1	1	1	1		
	35	90651-KV6-003	BAND, WIRE, 165MM(BLACK).....	1	1	1	1	1	1		
	36	94103-06800	WASHER, PLAIN, 6MM.....	1	1	1	1	1	1		
	37	95002-02130	CLIP, TUBE(B12.5).....	2	2	2	2	2	2		
	38	95005-75240-20	TUBE, 7.3X240(95005-75001-20M)	1	1	1	1	1	1	-----	2IN,2MA,2RU,2U,IN,MA,RU,U
	39	95005-80410-20	TUBE, 8X410(95005-80001-20M)	1	1	1	1	1	1		
	40	95701-06040-00	BOLT, FLANGE, 6X40.....	2	2	2	2	2	2		
	41	17516-MKN-H50	MAT, FUEL TANK.....	1	1	-	1	1	-	-----	2CH,CH



F-22

SHROUD



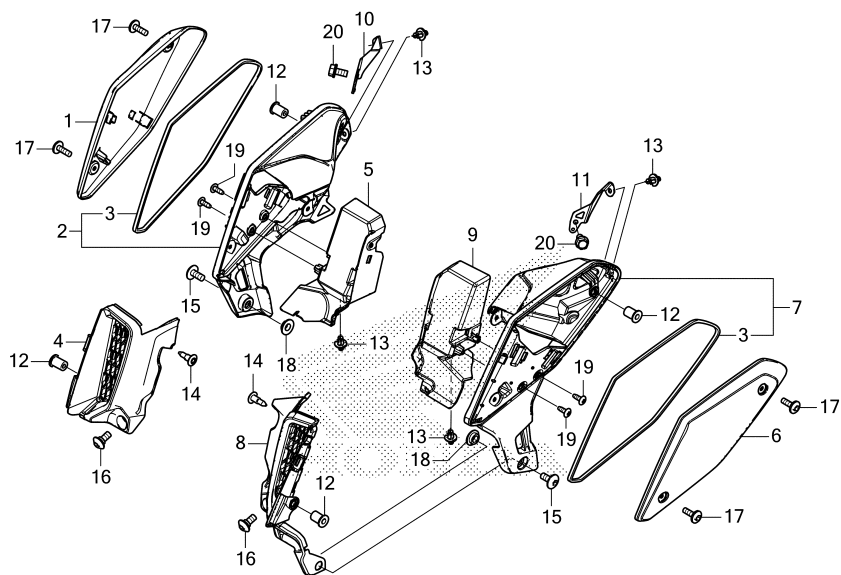
MKY3F2200

Ref. No.	L.O.N.	(Relative ref. Number) Description	F.R.T.
1	1151A0	SHROUD, RADIATOR :RIGHT	0.2
2	4111BX	SHROUD :RIGHT	0.3
4	4111CE	SHROUD :RIGHT INNER	0.2
6	115126	SHROUD, RADIATOR :LEFT	0.2
	1151A5	SHROUD, RADIATOR :BOTH	0.4
7	4111BW	SHROUD :LEFT	0.3
	4111BY	SHROUD :BOTH	0.5
8	4111CD	SHROUD :LEFT INNER	0.2
	4110CF	SHROUD :BOTH INNER	0.4

Ref. No.	Part No.	Description	Reqd. QTY						Serial No.	Parts catalogue code
			CB 650RA			CBR 650RA				
			M	N	P	M	N	P		
1	64310-MKN-D50ZA	SHROUD SET A, R.(WL)								
		TYPE1.....	1	1	-	-	-	-		
	64310-MKY-DP0ZB	*NH1*.....BLACK	-	-	1	-	-	-	-----	2ED,2FO,2IN,2KO,2MA,2PH,2RU,2U,2V,4ED
	64310-MKY-DN0ZA	*NHB81M*	-	-	1	-	-	-	-----	3ED,3FO,ED,IN,KO,MA,PH,RU,U,V
		MAT VULCAN SILVER METALLIC	-	-	1	-	-	-	-----	3ED,3FO,ED,IN,KO,MA,PH,RU,U,V
2	64320-MKN-D50	SHROUD ASSY. B, R.	1	1	1	-	-	-		
3	64322-MKN-D50	SEAL, SHROUD.....	2	2	2	-	-	-		
4	64331-MKN-D50	SHROUD C, R.	1	1	1	-	-	-		
5	64336-MKN-D50	BOX, R. AIR DUCT.....	1	1	1	-	-	-		
6	64410-MKN-D50ZA	SHROUD SET A, L.(WL)								
		TYPE1.....	1	1	-	-	-	-		
	64410-MKY-DP0ZB	*NH1*.....BLACK	-	-	1	-	-	-	-----	2ED,2FO,2IN,2KO,2MA,2PH,2RU,2U,2V,4ED
	64410-MKY-DN0ZA	*NHB81M*	-	-	1	-	-	-	-----	3ED,3FO,ED,IN,KO,MA,PH,RU,U,V
		MAT VULCAN SILVER METALLIC	-	-	1	-	-	-	-----	3ED,3FO,ED,IN,KO,MA,PH,RU,U,V
7	64420-MKN-D50	SHROUD ASSY. B, L.	1	1	1	-	-	-		
8	64431-MKN-D50	SHROUD C, L.	1	1	1	-	-	-		
9	64436-MKN-D50	BOX, L. AIR DUCT.....	1	1	1	-	-	-		
10	64650-MKN-D50	STAY, R. SHROUD.....	1	1	1	-	-	-		
11	64660-MKN-D50	STAY, L. SHROUD.....	1	1	1	-	-	-		
12	90111-KW3-003	NUT, COWL SETTING, 5MM.....	4	4	4	-	-	-		
13	90116-K0A-E11	RIVET, PUSH, 6MM.....	4	4	4	-	-	-		
14	90116-SP0-003	CLIP, BUMPER SEAL.....	2	2	2	-	-	-		
15	90125-MKN-D50	SCREW, PAN, 6X14.....	2	2	2	-	-	-		
16	90133-KPP-T00	SCREW, PAN, 6X14.....	2	2	2	-	-	-		
17	90134-MJE-D00	SCREW, PAN, 5X16.....	4	4	4	-	-	-	-----	3ED,3FO,5ED,7ED,CH,ED,FO,IN,KO,MA,PH,RU,U,V
	90133-MKN-D50	-	-	4	-	-	-	-----	2ED,2FO,2IN,2KO,2MA,2PH,2RU,2U,2V,4ED

F-22

SHROUD



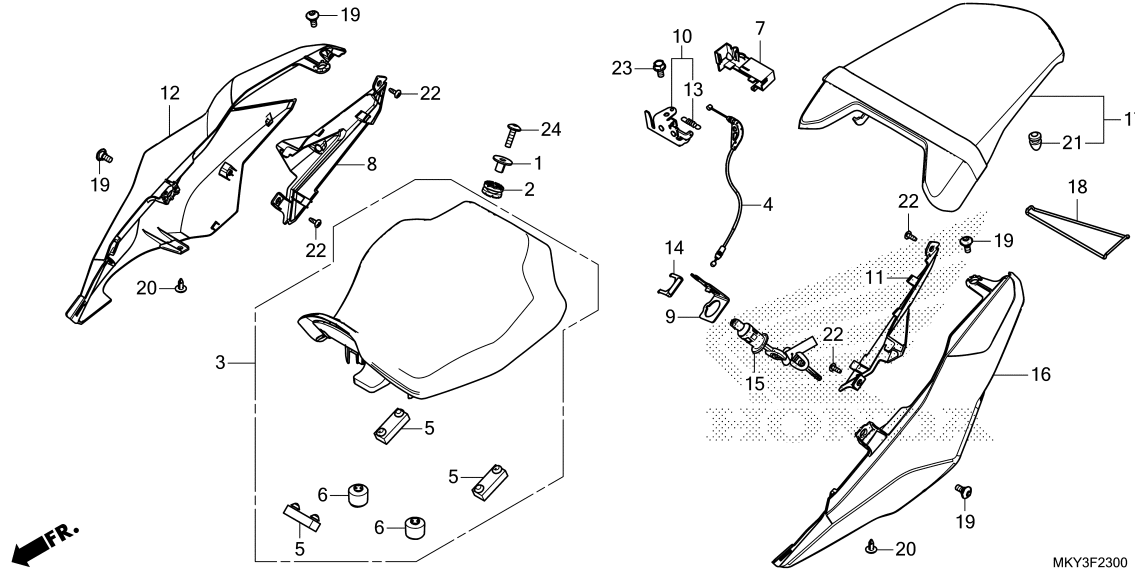
MKY3F2200

Ref. No.	Part No.	Description	Reqd. QTY						Serial No.	Parts catalogue code
			CB 650RA			CBR 650RA				
			M	N	P	M	N	P		
18	90503-MJE-D40	COLLAR, MOUNTING.....	2	2	2	-	-	-		
19	93903-24320	SCREW, TAPPING, 4X12.....	4	4	4	-	-	-		
20	95701-06012-08	BOLT, FLANGE, 6X12.....	2	2	2	-	-	-		



F-23

SEAT/REAR COWL



Ref. No.	L.O.N.	(Relative ref. Number) Description	F.R.T.
3	413150	SEAT	0.1
4	811175	CABLE, SEAT LOCK	0.3
10	4131N5	HOOK, SEAT CATCH	0.1
12		(8)	
	4111X7	COWL, REAR :RIGHT	0.2
15	4131F2	KEY, SEAT LOCK	0.3
16		(11)	
	4111X6	COWL, REAR :LEFT	0.2
	4111X8	COWL, REAR :BOTH	0.3

Ref. No.	Part No.	Description	Reqd. QTY						Serial No.	Parts catalogue code
			CB 650RA			CBR 650RA				
			M	N	P	M	N	P		
1	33706-KAN-960	COLLAR, TAILLIGHT MOUNTING ...	2	2	2	2	2	2		
2	61304-415-000	RUBBER, HEADLIGHT CASE MOUNTING	2	2	2	2	2	2		
3	77100-MKY-D51ZA	SEAT ASSY., MAIN								
		TYPE2	1	1	1	-	-	-		
	77100-MKY-D51ZB	*TYPE1*	-	-	-	1	1	1		
4	77156-MKY-D51	CABLE COMP., SEAT LOCK	1	1	1	1	1	1		
5	77205-286-000	RUBBER B, SEAT SETTING	3	3	3	3	3	3		
6	77206-MJE-DB0	RUBBER, SEAT CUSHION	2	2	2	2	2	2		
7	77210-MKN-D50	COVER, SEAT LOCK	1	1	1	1	1	1		
8	77216-MKY-D50	COWL B, R. RR.	1	1	1	1	1	1		
9	77218-MKY-D50	STAY, SEAT LOCK CABLE	1	1	1	1	1	1		
10	77220-MJE-D00	LOCK COMP., SEAT	1	1	1	1	1	1		
11	77226-MKY-D50	COWL B, L. RR.	1	1	1	1	1	1		
12	77231-MKY-D50ZB	COWL A, R. RR.(WOL)								
		NH436M								
		MAT GUNPOWDER BLACK METALLIC	1	1	1	-	-	-	-----	2ED, 2FO, 2IN, 2KO, 2MA, 2PH, 2RU, 2U, 2V, 3ED, 3FO, 4ED, CH, ED FO, IN, KO, MA, PH, RU, U, V
	77231-MKY-D60ZA	*NHA86M*							-----	5ED, 7ED
	77230-MKY-D30ZB	COWL SET A, R. RR.(WL)								
		TYPE1	-	-	-	1	-	-	-----	2CH, 2ED, 2FO, 2KO, 2MA, 4ED
	77230-MKY-D30ZA	*TYPE2*	-	-	-	1	-	-	-----	2U
	77230-MKY-D10ZD	*NHB01*.....GRAPHITE BLACK	-	-	-	1	-	-	-----	3ED, CH, ED, FO, KO, MA, U
	77230-MKY-D20ZB	*TYPE1*	-	-	-	-	1	-	-----	2CH, 2ED, 2KO, 2MA, 2U, 4ED, 4FO
	77230-MKY-D30ZB	*TYPE1*	-	-	-	-	1	-	-----	2FO
	77230-MKY-D20ZA	*TYPE2*	-	-	-	-	1	-	-----	2U

F-23

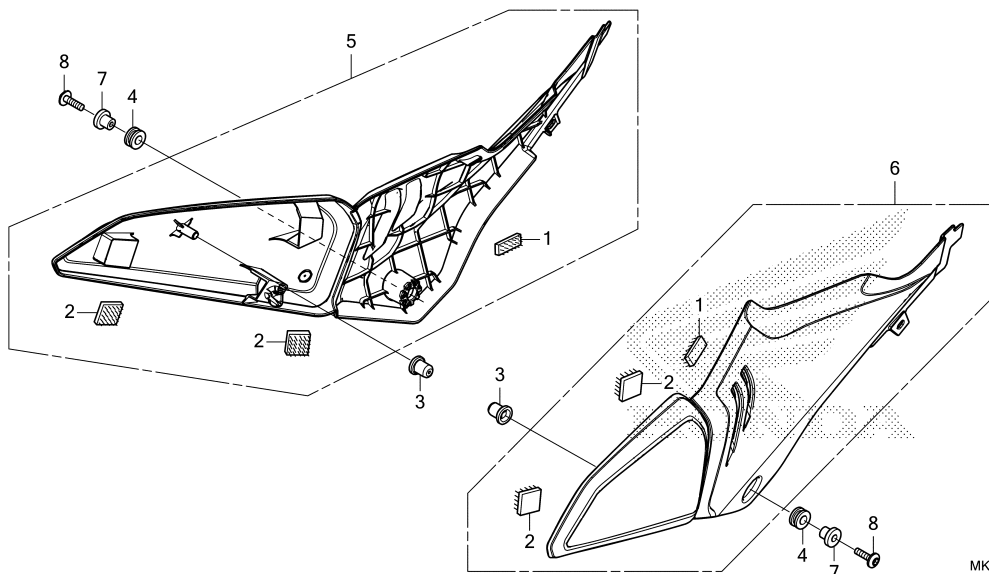
SEAT/REAR COWL

Ref. No.	Part No.	Description	Reqd. QTY						Serial No.	Parts catalogue code
			CB 650RA			CBR 650RA				
			M	N	P	M	N	P		
12)	77230-MKY-D00ZA	COWL SET A, R. RR.(WL)								
		NHB01.....GRAPHITE BLACK	-	-	-	-	1	-	----- 3ED,3FO,CH,ED,KO,MA,U	
	77230-MKY-D10ZD	*NHB01*.....GRAPHITE BLACK	-	-	-	-	1	-	----- FO	
	77230-MKY-DM0ZA	*R380*.....GRAND PRIX RED	-	-	-	-	-	1	----- 2ED,2GS,2KO,2MA,2PH,2RU,2U,2V,4ED,4FO	
	77230-MKY-DL0ZA	*NHB01*.....GRAPHITE BLACK	-	-	-	-	-	1	----- 3ED,3FO,ED,GS,KO,MA,PH,RU,U,V	
13	77234-GN2-000	SPRING, SEAT LOCK.....	1	1	1	1	1	1		
14	77235-MJE-D00	PLATE, LOCK KEY SETTING.....	1	1	1	1	1	1		
15	77239-MJE-D03	KEY, SEAT LOCK(WAVE).....	1	1	-	-	1	1		
	77239-MJE-D04	-	-	1	-	-	-	1	
16	77241-MKY-D50ZB	COWL A, L. RR.(WOL)								
		NH436M								
		MAT GUNPOWDER BLACK METALLIC	1	1	1	-	-	-	----- 2ED,2FO,2IN,2KO,2MA,2PH,2RU,2U,2V,3ED,3FO,4ED,CH,ED	
									FO,IN,KO,MA,PH,RU,U,V	
	77241-MKY-D60ZA	*NHA86M*								
		MAT BALLISTIC BLACK METALLIC	1	-	-	-	-	-	----- 5ED,7ED	
	77240-MKY-D30ZB	COWL SET A, L. RR.(WL)								
		TYPE1.....	-	-	-	1	-	-	----- 2CH,2ED,2FO,2KO,2MA,4ED	
	77240-MKY-D30ZA	*TYPE2*.....	-	-	-	1	-	-	----- 2U	
	77240-MKY-D10ZD	*NHB01*.....GRAPHITE BLACK	-	-	-	1	-	-	----- 3ED,CH,ED,FO,KO,MA,U	
	77240-MKY-D20ZB	*TYPE1*.....	-	-	-	-	1	-	----- 2CH,2ED,2KO,2MA,2U,4ED,4FO	
	77240-MKY-D30ZB	*TYPE1*.....	-	-	-	-	1	-	----- 2FO	
	77240-MKY-D20ZA	*TYPE2*.....	-	-	-	-	1	-	----- 2U	
	77240-MKY-D00ZA	*NHB01*.....GRAPHITE BLACK	-	-	-	-	1	-	----- 3ED,3FO,CH,ED,KO,MA,U	
	77240-MKY-D10ZD	*NHB01*.....GRAPHITE BLACK	-	-	-	-	1	-	----- FO	
	77240-MKY-DM0ZA	*R380*.....GRAND PRIX RED	-	-	-	-	-	1	----- 2ED,2GS,2KO,2MA,2PH,2RU,2U,2V,4ED,4FO	
	77240-MKY-DL0ZA	*NHB01*.....GRAPHITE BLACK	-	-	-	-	-	1	----- 3ED,3FO,ED,GS,KO,MA,PH,RU,U,V	
17	77300-MKY-D51ZA	SEAT ASSY., PILLION								
		TYPE2.....	1	1	1	-	-	-		
	77300-MKY-D51ZB	*TYPE1*.....	-	-	-	1	1	1		
18	80123-GN5-900	BAND, TOOL.....	1	1	1	1	1	1		
19	90127-MKN-D50	SCREW, SPECIAL, 6X14.....	4	4	4	4	4	4		
20	90683-GR1-003	CLIP, BODY COVER.....	2	2	2	2	2	2		
21	90899-422-610	PLUG, CONE TYPE.....	1	1	1	1	1	1		
22	93903-24320	SCREW, TAPPING, 4X12.....	4	4	4	4	4	4		
23	95701-06012-08	BOLT, FLANGE, 6X12.....	1	1	1	1	1	1		
24	96600-06025-08	BOLT, SOCKET, 6X25.....	2	2	2	2	2	2	----- 2CH,2ED,2FO,2GS,2IN,2KO,2MA,2PH,2RU,2U,2V,3ED,3FO,4ED	
									4FO,CH,ED,FO,GS,IN,KO,MA,PH,RU,U,V	
	96600-06025-00	2	-	-	-	-	-	----- 5ED,7ED	



F-24

SIDE COVER



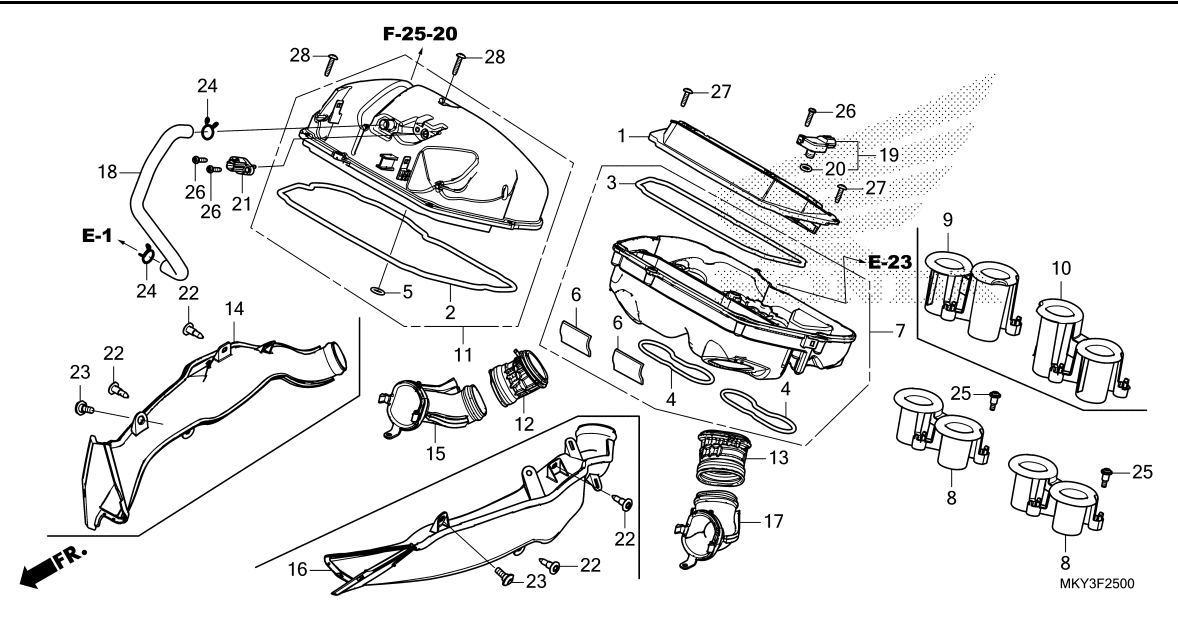
Ref. No.	L.O.N.	(Relative ref. Number) Description	F.R.T.
5	4111H9	COVER, SIDE :RIGHT	0.1
6	4111H8	COVER, SIDE :LEFT	0.1
	4111J0	COVER, SIDE :BOTH	0.2

Ref. No.	Part No.	Description	Reqd. QTY						Serial No.	Parts catalogue code
			CB 650RA			CBR 650RA				
			M	N	P	M	N	P		
1	17541-MJE-D00	FASTENER C, DUAL LOCK, 8X25..	2	2	2	2	2	2		
2	17542-MJE-D40	FASTENER D, DUAL LOCK, 20X20..	4	4	4	4	4	4		
3	61312-149-300	BOOT, HEADLIGHT BRACKET	2	2	2	2	2	2		
4	80101-165-000	RUBBER, RR. FENDER CUSHION...	2	2	2	2	2	2		
5	83500-MKY-D50	COVER ASSY., R. SIDE	1	1	1	1	1	1		
6	83600-MKY-D50	COVER ASSY., L. SIDE	1	1	1	1	1	1		
7	84706-163-670	COLLAR, TAILLIGHT MOUNTING...	2	2	2	2	2	2		
8	90128-MKN-D50	SCREW, PAN, 6X22	2	2	2	2	2	2		

3

F-25

AIR CLEANER



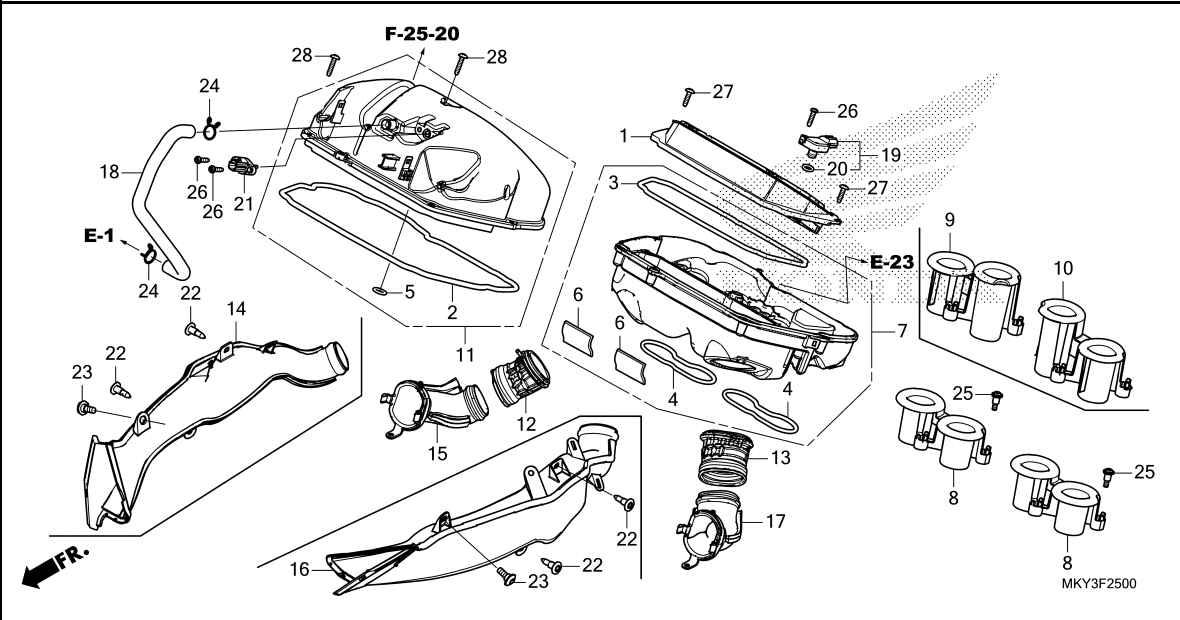
Ref. No.	L.O.N.	(Relative ref. Number) Description	F.R.T.
1		(2,3)	
312105		ELEMENT, AIR CLEANER	0.5
7		(12,13)	
3121A5		CASE, AIR CLEANER	1.2
3121H2		CASE, AIR CLEANER(A)	1.4
		.NOTE: With middle cowling	
9		(8)	
3121C9		FUNNEL, AIR :RIGHT	0.7
10		(8)	
3121C8		FUNNEL, AIR :LEFT	0.7
3121E2		FUNNEL, AIR :BOTH	0.8
11		312102 COVER, AIR CLEANER CASE	0.4
15		(14)	
3121B0		DUCT, AIR CLEANER :RIGHT	0.2
3121L5		DUCT, AIR CLEANER(A) :RIGHT ..	0.3
		.NOTE: With middle cowling	
17		(16)	
3121A9		DUCT, AIR CLEANER :LEFT	0.2
3121L4		DUCT, AIR CLEANER(A) :LEFT ..	0.3
		.NOTE: With middle cowling	
3121B1		DUCT, AIR CLEANER :BOTH	0.3
3121L6		DUCT, AIR CLEANER(A) :BOTH ..	0.5
		.NOTE: With middle cowling	
19		(20)	
617116		SENSOR, MAP	0.3

Ref. No.	Part No.	Description	Reqd. QTY						Serial No.	Parts catalogue code
			CB 650RA			CBR 650RA				
			M	N	P	M	N	P		
1	17210-MKN-D50	ELEMENT COMP., AIR CLEANER ...	1	1	1	1	1	1		
2	17213-MKN-D50	SEAL, AIR CLEANER	1	1	1	1	1	1		
3	17214-MKN-D50	SEAL, AIR CLEANER ELEMENT ...	1	1	1	1	1	1		
4	17215-MJE-D00	SEAL, THROTTLE BODY	2	2	2	2	2	2		
5	17216-MJE-D00	SEAL, CENTER BOSS	1	1	1	1	1	1		
6	17217-MJE-D00	RUBBER, CUSHION	2	2	2	2	2	2		
7	17224-MKN-D51	CASE SUB ASSY., AIR CLEANER ..	1	1	1	1	1	1		
8	17225-MJE-DB0	FUNNEL, AIR	2	2	2	2	2	2	----- 2CH, 2ED, 2FO, 2GS, 2IN, 2KO, 2MA, 2PH, 2RU, 2V, 3FO, 4FO, 5ED, CH ED, FO, GS, IN, KO, MA, PH, RU, V	
9	17225-MJE-G10	FUNNEL, R. AIR	1	1	1	1	1	1	----- 2U, 3ED, 4ED, 7ED, U	
10	17226-MJE-G10	FUNNEL, L. AIR	1	1	1	1	1	1	----- 2U, 3ED, 4ED, 7ED, U	
11	17235-MKN-D50	COVER SUB ASSY., AIR CLEANER ..	1	1	1	1	1	1		
12	17241-MKN-D50	JOINT, R. AIR CLEANER DUCT ...	1	1	1	1	1	1		
13	17242-MKN-D50	JOINT, L. AIR CLEANER DUCT ...	1	1	1	1	1	1		
14	17243-MKN-D10	DUCT, R. AIR CLEANER	-	-	-	1	1	1		
15	17243-MKN-D50	DUCT, R. AIR CLEANER	1	1	1	-	-	-		
16	17244-MKN-D10	DUCT, L. AIR CLEANER	-	-	-	1	1	1		
17	17244-MKN-D50	DUCT, L. AIR CLEANER	1	1	1	-	-	-		
18	17265-MKN-D52	TUBE, BREATHER	1	1	1	1	1	1		
19	37830-RGA-006	SENSOR ASSY., MAP	1	1	1	1	1	1		
20	37875-RGA-006	O-RING	1	1	1	1	1	1		
21	37880-KWW-C01	SENSOR ASSY., AIR TEMPERATURE	1	1	1	1	1	1		
22	90116-SP0-003	CLIP, BUMPER SEAL	-	-	-	4	4	4		
23	90134-KPP-T00	SCREW, PAN, 5X14	-	-	-	2	2	2		
24	90646-657-000	CLIP, AIR HOSE, 16MM	2	2	2	2	2	2		



F-25

AIR CLEANER



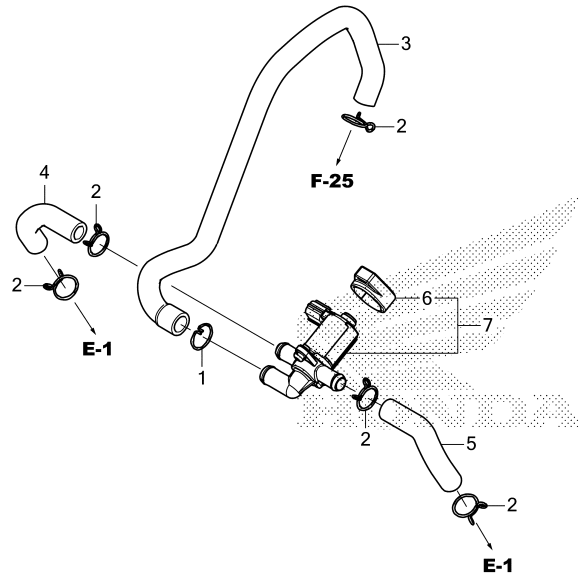
Ref. No.	L.O.N.	(Relative ref. Number) Description	F.R.T.
21	617120	SENSOR, AIR TEMP	0.3



Ref. No.	Part No.	Description	Reqd. QTY						Serial No.	Parts catalogue code
			CB 650RA			CBR 650RA				
			M	N	P	M	N	P		
25	91508-MM5-000	SCREW, PAN, 5MM.....	6	6	6	6	6	6		
26	93901-25420	SCREW, TAPPING, 5X20.....	3	3	3	3	3	3		
27	93903-25480	SCREW, TAPPING, 5X20.....	2	2	2	2	2	2		
28	93903-25510	SCREW, TAPPING, 5X25.....	9	9	9	9	9	9		

F-25-20

AIR INJECTION CONTROL VALVE



Ref. No.	L.O.N.	(Relative ref. Number) Description	F.R.T.
7	314130	VALVE, SECONDARY AIR CONTROL	1.3
	3141C7	VALVE, SECONDARY AIR CONTROL (A)	1.5
.NOTE: With middle cowling			

FR.

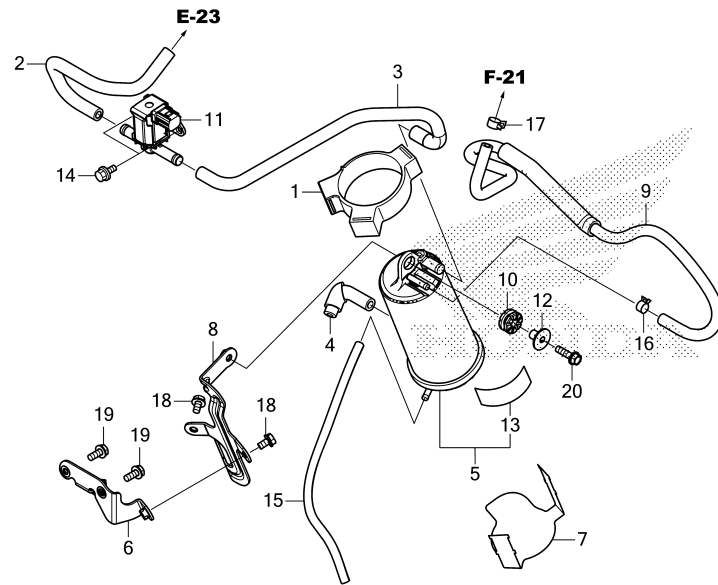
MKY3F2520

Ref. No.	Part No.	Description	Reqd. QTY						Serial No.	Parts catalogue code
			CB 650RA			CBR 650RA				
			M	N	P	M	N	P		
1	17366-MJ0-000	CLIP B, TUBE	1	1	1	1	1	1		
2	17724-102-700	CLIP, SUB TANK HOSE	5	5	5	5	5	5		
3	18651-MKN-D50	TUBE(AISV-AIR CLEANER)	1	1	1	1	1	1		
4	18653-MKN-D50	TUBE, R. AIR INJECTION CONTROL VALVE	1	1	1	1	1	1		
5	18654-MKN-D50	TUBE, L. AIR INJECTION CONTROL VALVE	1	1	1	1	1	1		
6	36172-MKN-D51	SUSPENSION, SOLENOID VALVE ...	1	1	1	1	1	1		
7	36450-MKN-D52	VALVE ASSY., EX. AIR INJECTION	1	1	1	1	1	1		

3

F-26

CANISTER



MKY3F2600A

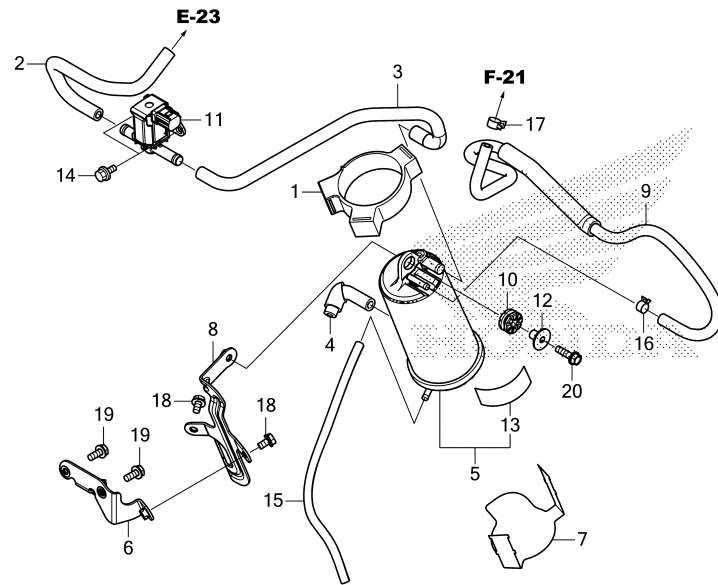
Ref. No.	L.O.N.	(Relative ref. Number) Description	F.R.T.
5	3141A4	CANISTER	0.3
11	3141A9	VALVE, PURGE CONTROL	1.6
	3141D3	VALVE, PURGE CONTROL(A)	1.8
.NOTE: With middle cowling			

Ref. No.	Part No.	Description	Reqd. QTY						Serial No.	Parts catalogue code	
			CB 650RA			CBR 650RA					
			M	N	P	M	N	P			
1	17411-MJE-TB0	RUBBER, CANISTER MOUNTING	1	1	1	1	1	1	-----	-----	2CH,2ED,2FO,2GS,2KO,2PH,2V,3ED,3FO,4ED,4FO,5ED,7ED,CH ED,FO,GS,KO,PH,V
2	17412-MJE-L00	TUBE(PCSV-THROTTLE BODY)	1	1	1	1	1	1	-----	-----	2CH,2ED,2FO,2GS,2KO,2PH,2V,3ED,3FO,4ED,4FO,5ED,7ED,CH ED,FO,GS,KO,PH,V
3	17413-MJE-L00	TUBE(PCSV-CANISTER)	1	1	1	1	1	1	-----	-----	2CH,2ED,2FO,2GS,2KO,2PH,2V,3ED,3FO,4ED,4FO,5ED,7ED,CH ED,FO,GS,KO,PH,V
4	17414-MJE-TB0	TUBE, AIR	1	1	1	1	1	1	-----	-----	2CH,2ED,2FO,2GS,2KO,2PH,2V,3ED,3FO,4ED,4FO,5ED,7ED,CH ED,FO,GS,KO,PH,V
5	17420-MGZ-A02	CANISTER COMP.	1	1	1	1	1	1	-----	-----	2CH,2ED,2FO,2GS,2KO,2PH,2V,3ED,3FO,4ED,4FO,5ED,7ED,CH ED,FO,GS,KO,PH,V
6	17430-MJE-L00	STAY COMP. A, CANISTER	1	1	1	1	1	1	-----	-----	2CH,2ED,2FO,2GS,2KO,2PH,2V,3ED,3FO,4ED,4FO,5ED,7ED,CH ED,FO,GS,KO,PH,V
7	17430-MJE-TB0	GUARD, HEAT	1	1	1	1	1	1	-----	-----	2CH,2ED,2FO,2GS,2KO,2PH,2V,3ED,3FO,4ED,4FO,5ED,7ED,CH ED,FO,GS,KO,PH,V
8	17440-MJE-L00	STAY COMP. B, CANISTER	1	1	1	1	1	1	-----	-----	2CH,2ED,2FO,2GS,2KO,2PH,2V,3ED,3FO,4ED,4FO,5ED,7ED,CH ED,FO,GS,KO,PH,V
9	17580-MJE-T10	TUBE, CANISTER	1	1	1	1	1	1	-----	-----	2CH,2ED,2FO,2GS,2KO,2PH,2V,3ED,3FO,4ED,4FO,5ED,7ED,CH ED,FO,GS,KO,PH,V
10	33115-KVK-900	RUBBER, HEADLIGHT	1	1	1	1	1	1	-----	-----	2CH,2ED,2FO,2GS,2KO,2PH,2V,3ED,3FO,4ED,4FO,5ED,7ED,CH ED,FO,GS,KO,PH,V
11	36162-MKA-D81	VALVE, PURGE CONTROL SOLENOID	1	1	1	1	1	1	-----	-----	2CH,2ED,2FO,2GS,2KO,2PH,2V,3ED,3FO,4ED,4FO,5ED,7ED,CH ED,FO,GS,KO,PH,V
12	61104-428-730	COLLAR, FR. FENDER(BLACK)	1	1	1	1	1	1	-----	-----	2CH,2ED,2FO,2GS,2KO,2PH,2V,3ED,3FO,4ED,4FO,5ED,7ED,CH ED,FO,GS,KO,PH,V
13	64382-MM5-300	TAPE, COVER	1	1	1	1	1	1	-----	-----	2CH,2ED,2FO,2GS,2KO,2PH,2V,3ED,3FO,4ED,4FO,5ED,7ED,CH ED,FO,GS,KO,PH,V

3

F-26

CANISTER



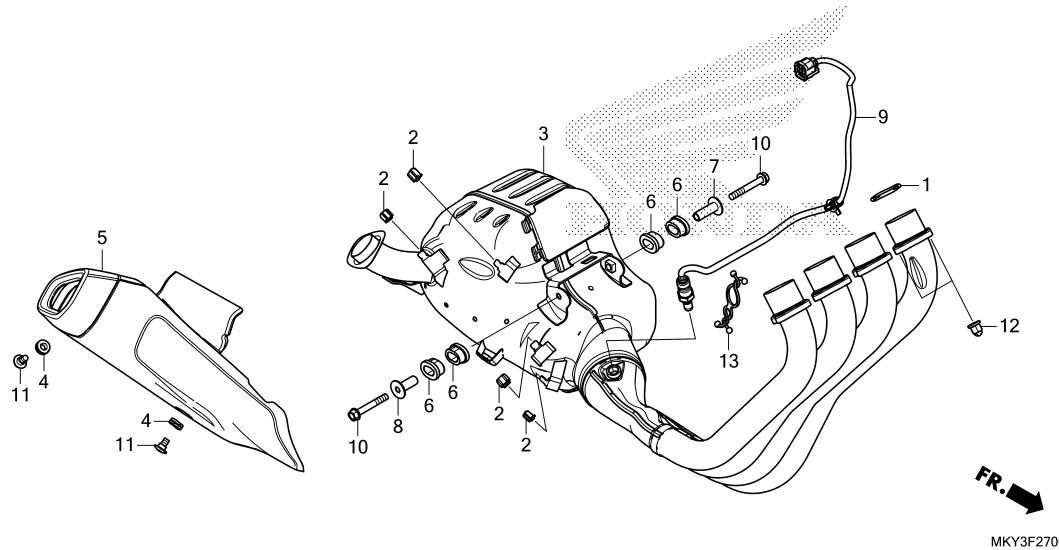
MKY3F2600A

Ref. No.	Part No.	Description	Reqd. QTY						Serial No.	Parts catalogue code	
			CB 650RA			CBR 650RA					
			M	N	P	M	N	P			
14	90002-892-000	BOLT, FLANGE, 5X10	2	2	2	2	2	2	-----	-----	2CH, 2ED, 2FO, 2GS, 2KO, 2PH, 2V, 3ED, 3FO, 4ED, 4FO, 5ED, 7ED, CH ED, FO, GS, KO, PH, V
15	95001-45320-40	TUBE, FUEL, 4.5X320 (95001-45001-60M)	1	1	1	1	1	1	-----	-----	2CH, 2ED, 2FO, 2GS, 2KO, 2PH, 2V, 3ED, 3FO, 4ED, 4FO, 5ED, 7ED, CH ED, FO, GS, KO, PH, V
16	95002-40800-08	CLAMP, TUBE(D8)	1	1	1	1	1	1	-----	-----	2CH, 2ED, 2FO, 2GS, 2KO, 2PH, 2V, 3ED, 3FO, 4ED, 4FO, 5ED, 7ED, CH ED, FO, GS, KO, PH, V
17	95002-41000-08	CLAMP, TUBE(D10)	1	1	1	1	1	1	-----	-----	2CH, 2ED, 2FO, 2GS, 2KO, 2PH, 2V, 3ED, 3FO, 4ED, 4FO, 5ED, 7ED, CH ED, FO, GS, KO, PH, V
18	95701-06010-00	BOLT, FLANGE, 6X10	2	2	2	2	2	2	-----	-----	2CH, 2ED, 2FO, 2GS, 2KO, 2PH, 2V, 3ED, 3FO, 4ED, 4FO, 5ED, 7ED, CH ED, FO, GS, KO, PH, V
19	95701-06014-00	BOLT, FLANGE, 6X14	2	2	2	2	2	2	-----	-----	2CH, 2ED, 2FO, 2GS, 2KO, 2PH, 2V, 3ED, 3FO, 4ED, 4FO, 5ED, 7ED, CH ED, FO, GS, KO, PH, V
20	95701-06022-08	BOLT, FLANGE, 6X22	1	1	1	1	1	1	-----	-----	2CH, 2ED, 2FO, 2GS, 2KO, 2PH, 2V, 3ED, 3FO, 4ED, 4FO, 5ED, 7ED, CH ED, FO, GS, KO, PH, V



F-27

EXHAUST MUFFLER

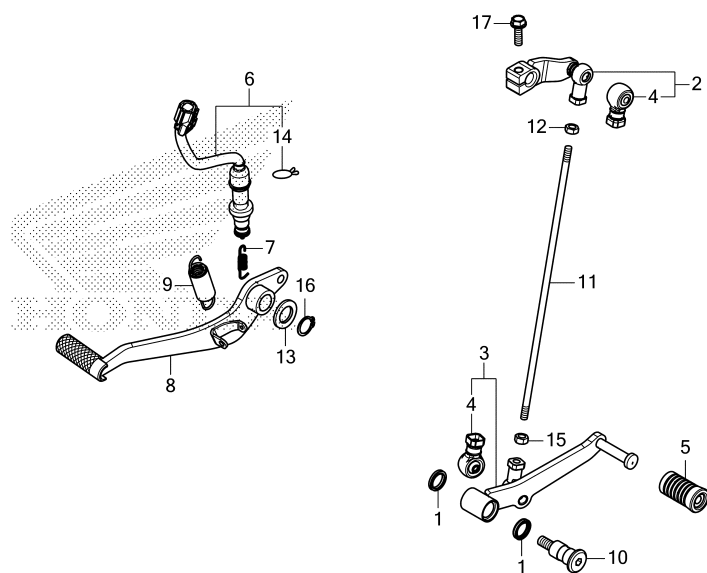


Ref. No.	L.O.N.	(Relative ref. Number) Description	F.R.T.
1	3131B4	GASKET, EXHAUST PIPENOTE: Same time for two units or more	0.7
3	313120	MUFFLER	0.8
5	313121	PROTECTOR, MUFFLER	0.1
9	617121	SENSOR, OXYGEN	0.8

Ref. No.	Part No.	Description	Reqd. QTY						Serial No.	Parts catalogue code
			CB 650RA			CBR 650RA				
			M	N	P	M	N	P		
1	18291-MN4-920	GASKET, EX. PIPE	4	4	4	4	4	4		
2	18293-MCA-A20	RUBBER, PROTECTOR PACKING	4	4	4	4	4	4		
3	18300-MKY-H50	MUFFLER COMP., EX.	1	1	1	1	1	1	-----	----- 2CH, 2FO, 3FO, 4FO, CH, FO
	18300-MKY-M50	1	1	1	1	1	1	-----	----- 2MA, 2RU, 2U, MA, RU, U
	18300-MKY-T50	1	1	1	-	-	1	-----	----- 2IN, 2PH, 2V, IN, PH, V
	18300-MKY-D50	1	-	-	1	-	-	-----	----- 2ED, 2KO, 3ED, 4ED, ED, KO
	18300-MKY-D51	1	-	-	-	-	-	-----	----- 5ED, 7ED
	18300-MKY-DL0	-	1	-	-	1	-	-----	----- 2ED, 2KO, 3ED, 4ED, ED, KO
4	18345-MBT-610	RUBBER, PROTECTOR MOUNTING	2	2	2	2	2	2	-----	----- 2ED, 2GS, 2KO, 3ED, 4ED, ED, GS, KO
5	18355-MKY-T50	PROTECTOR, MUFFLER	1	1	1	1	1	1	-----	----- 2CH, 2FO, 2PH, 2V, 3FO, 4FO, CH, FO, PH, V
	18355-MKY-D50	1	1	1	1	1	1	-----	----- 2ED, 2GS, 2IN, 2KO, 2MA, 2RU, 2U, 3ED, 4ED, 5ED, 7ED, ED, GS, IN KO, MA, RU, U
6	18422-MGZ-J00	RUBBER, EX. PIPE MOUNTING	4	4	4	4	4	4		
7	18423-MKN-D50	COLLAR, L. MUFFLER MOUNTING	1	1	1	1	1	1		
8	18424-MKN-D50	COLLAR, R. MUFFLER MOUNTING	1	1	1	1	1	1		
9	36533-MKY-D51	SENSOR, AIR FUEL RATIO	1	1	1	1	1	1	-----	----- 2CH, 2ED, 2FO, 2GS, 2KO, 3ED, 3FO, 4ED, 4FO, 5ED, 7ED, CH, ED, FO GS, KO
	36531-MKY-T51	SENSOR, OXYGEN	1	1	1	1	1	1	-----	----- 2IN, 2MA, 2PH, 2RU, 2U, 2V, IN, MA, PH, RU, U, V
10	90103-MJE-D00	BOLT, FLANGE, 8X55	2	2	2	2	2	2		
11	90113-GFP-B00	SCREW, PAN, 6X12	2	2	2	2	2	2		
12	90304-KPH-700	NUT, HEX. CAP, 8MM	8	8	8	8	8	8		
13	90658-SA0-003	CLIP, WIRE HARNESS	1	1	1	1	1	1		

F-29

PEDAL



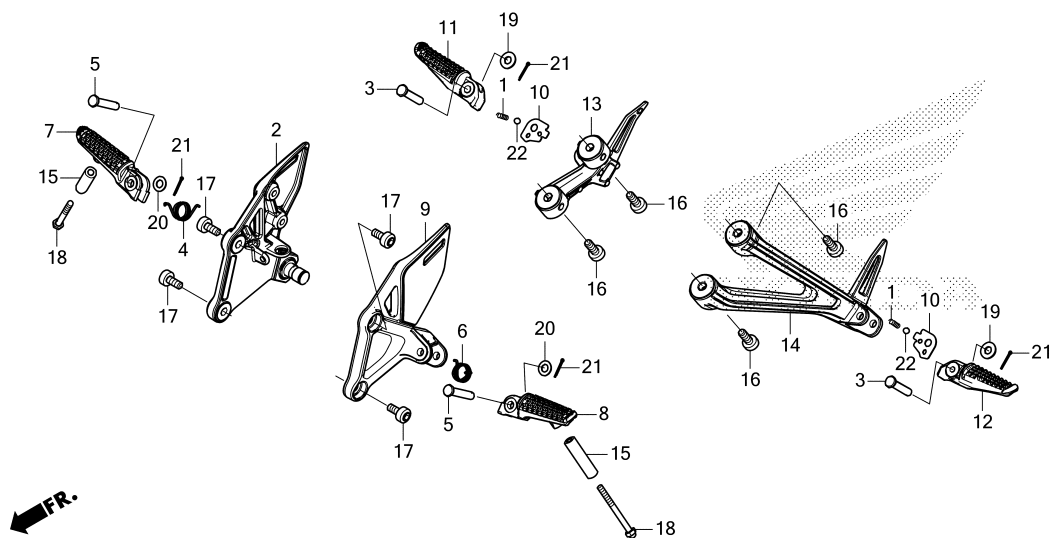
Ref. No.	L.O.N.	(Relative ref. Number) Description	F.R.T.
2	4101A2	ARM, GEAR CHANGE	0.1
3		(1)	
	4101A1	PEDAL, GEAR CHANGE	0.1
6	6151B5	SWITCH, REAR STOP :PEDAL SIDE	0.3
8	810160	PEDAL, REAR BRAKE	0.2
11	5101B5	ROD, CHANGE	0.1

Ref. No.	Part No.	Description	Reqd. QTY						Serial No.	Parts catalogue code
			CB 650RA			CBR 650RA				
			M	N	P	M	N	P		
1	24706-MK3-770	RUBBER, DUST SEAL	2	2	2	2	2	2		
2	24710-MKN-D50	ARM COMP., GEAR CHANGE	1	1	1	1	1	1		
3	24720-MKN-D50	PEDAL COMP., GEAR CHANGE	1	1	1	1	1	1		
4	24724-MBW-D21	COVER, DUST	2	2	2	2	2	2		
5	24781-KSP-860	RUBBER, CHANGE PEDAL	1	1	1	1	1	1		
6	35350-MKY-D51	SWITCH ASSY., RR. STOP	1	1	1	1	1	1		
7	35357-HP0-A00	SPRING, STOP SWITCH	1	1	1	1	1	1		
8	46500-MJE-D00	PEDAL COMP., BRAKE	1	1	1	1	1	1		
9	46513-KYJ-900	SPRING ASSY., BRAKE PEDAL	1	1	1	1	1	1		
10	90113-MGZ-J00	BOLT, CHANGE PIVOT	1	1	1	1	1	1		
11	90165-MGZ-J00	BOLT, TIE ROD	1	1	1	1	1	1		
12	90301-MGZ-J00	NUT, SPECIAL, 6MM (LEFT HAND THREAD)	1	1	1	1	1	1		
13	90557-230-000	WASHER, 15.2X25	1	1	1	1	1	1		
14	90651-MGE-641	CLIP, SWITCH COVER	1	1	1	1	1	1		
15	94001-06070-0S	NUT, HEX., 6MM	1	1	1	1	1	1		
16	94511-15000	CIRCLIP, EXTERNAL, 15MM	1	1	1	1	1	1		
17	95701-06020-07	BOLT, FLANGE, 6X20	1	1	1	1	1	1		



F-30

STEP



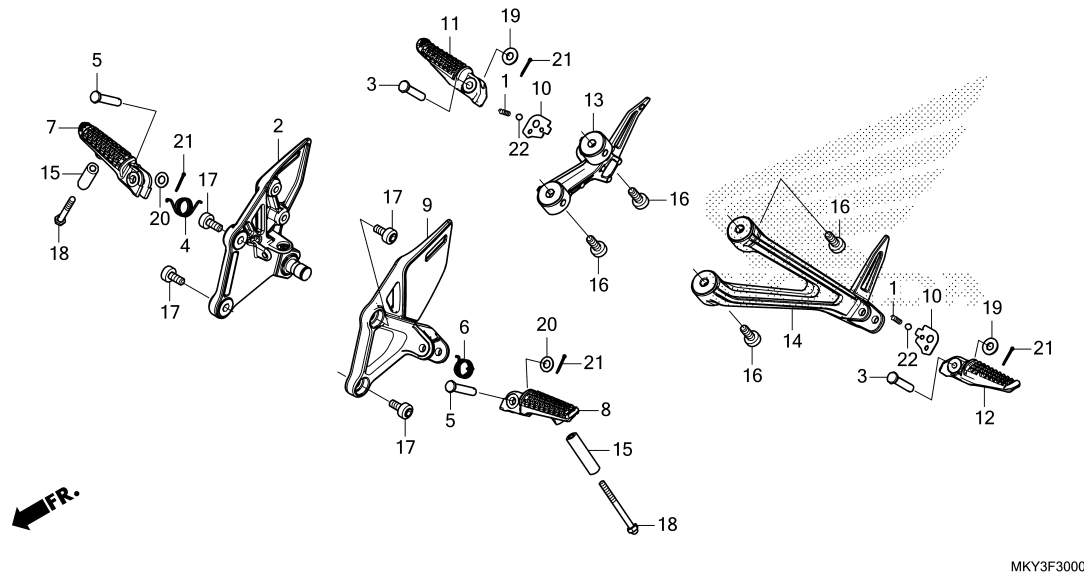
MKY3F3000

Ref. No.	L.O.N.	(Relative ref. Number) Description	F.R.T.
2	4101N2	HOLDER, STEP :RIGHT	0.3
7	4101C6	BAR, MAIN STEP :RIGHT	0.1
8	4101C5	BAR, MAIN STEP :LEFT	0.1
	4101J1	BAR, MAIN STEP :BOTH	0.2
9	4101N1	HOLDER, STEP :LEFT	0.2
	4101N6	HOLDER, STEP :BOTH	0.5
11	4101C8	BAR, PILLION STEP :RIGHT	0.1
12	4101C7	BAR, PILLION STEP :LEFT	0.1
	4101P4	BAR, PILLION STEP :BOTH	0.2
13	4101D0	BRACKET, PILLION STEP :RIGHT ..	0.2
14	4101C9	BRACKET, PILLION STEP :LEFT ..	0.2
	4101K4	BRACKET, PILLION STEP :BOTH ..	0.3

Ref. No.	Part No.	Description	Reqd. QTY						Serial No.	Parts catalogue code
			CB 650RA			CBR 650RA				
			M	N	P	M	N	P		
1	28333-300-000	SPRING, KICK STARTER STOPPER	2	2	2	2	2	2		
2	50600-MKN-D50	HOLDER, R. MAIN STEP	1	1	1	-	-	-	-----	----- 3ED,3FO,5ED,7ED,CH,ED,FO,IN,KO,MA,PH,RU,U,V
	50600-MKY-DP0	-	-	1	-	-	-	-----	----- 2ED,2FO,2IN,2KO,2MA,2PH,2RU,2U,2V,4ED
	50600-MKN-D50	-	-	-	1	1	1		
3	50603-033-010	PIN, STEP BAR JOINT	2	2	2	-	-	-	-----	----- 3ED,3FO,5ED,7ED,CH,ED,FO,IN,KO,MA,PH,RU,U,V
	50603-MKJ-E60	-	-	2	-	-	-	-----	----- 2ED,2FO,2IN,2KO,2MA,2PH,2RU,2U,2V,4ED
	50603-033-010	-	-	-	2	2	2		
4	50617-445-840	SPRING, R. STEP RETURN	1	1	1	-	-	-	-----	----- 3ED,3FO,5ED,7ED,CH,ED,FO,IN,KO,MA,PH,RU,U,V
	50617-MKY-DP0	-	-	1	-	-	-	-----	----- 2ED,2FO,2IN,2KO,2MA,2PH,2RU,2U,2V,4ED
	50617-445-840	-	-	-	1	1	1		
5	50639-ML0-010	PIN, STEP BAR	2	2	2	-	-	-	-----	----- 3ED,3FO,5ED,7ED,CH,ED,FO,IN,KO,MA,PH,RU,U,V
	50639-MKJ-E60	-	-	2	-	-	-	-----	----- 2ED,2FO,2IN,2KO,2MA,2PH,2RU,2U,2V,4ED
	50639-ML0-010	-	-	-	2	2	2		
6	50644-445-840	SPRING, L. STEP RETURN	1	1	1	-	-	-	-----	----- 3ED,3FO,5ED,7ED,CH,ED,FO,IN,KO,MA,PH,RU,U,V
	50644-MKY-DP0	-	-	1	-	-	-	-----	----- 2ED,2FO,2IN,2KO,2MA,2PH,2RU,2U,2V,4ED
	50644-445-840	-	-	-	1	1	1		
7	50660-MKN-D50	ARM, R. MAIN STEP	1	1	1	-	-	-	-----	----- 3ED,3FO,5ED,7ED,CH,ED,FO,IN,KO,MA,PH,RU,U,V
	50660-MKY-DP0	-	-	1	-	-	-	-----	----- 2ED,2FO,2IN,2KO,2MA,2PH,2RU,2U,2V,4ED
	50660-MKN-D50	-	-	-	1	1	1		
8	50665-MKN-D50	ARM, L. MAIN STEP	1	1	1	-	-	-	-----	----- 3ED,3FO,5ED,7ED,CH,ED,FO,IN,KO,MA,PH,RU,U,V
	50665-MKY-DP0	-	-	1	-	-	-	-----	----- 2ED,2FO,2IN,2KO,2MA,2PH,2RU,2U,2V,4ED
	50665-MKN-D50	-	-	-	1	1	1		
9	50700-MKN-D50	HOLDER, L. MAIN STEP	1	1	1	-	-	-	-----	----- 3ED,3FO,5ED,7ED,CH,ED,FO,IN,KO,MA,PH,RU,U,V
	50700-MKY-DP0	-	-	1	-	-	-	-----	----- 2ED,2FO,2IN,2KO,2MA,2PH,2RU,2U,2V,4ED
	50700-MKN-D50	-	-	-	1	1	1		
10	50718-MN8-000	PLATE, PILLION STEP CLICK	2	2	2	-	-	-	-----	----- 3ED,3FO,5ED,7ED,CH,ED,FO,IN,KO,MA,PH,RU,U,V
	50718-MKJ-E60	-	-	2	-	-	-	-----	----- 2ED,2FO,2IN,2KO,2MA,2PH,2RU,2U,2V,4ED
	50718-MN8-000	-	-	-	2	2	2		

F-30

STEP

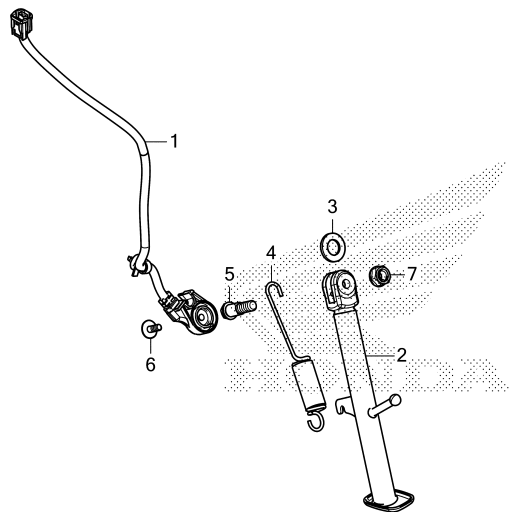


Ref. No.	Part No.	Description	Reqd. QTY						Serial No.	Parts catalogue code	
			CB 650RA			CBR 650RA					
			M	N	P	M	N	P			
11	50720-K94-T00	ARM, R. PILLION STEP.....	1	1	1	-	-	-	-----	-----	3ED,3FO,5ED,7ED,CH,ED,FO,IN,KO,MA,PH,RU,U,V
	50720-MKJ-E60	-	-	1	-	-	-	-----	-----	2ED,2FO,2IN,2KO,2MA,2PH,2RU,2U,2V,4ED
	50720-K94-T00	-	-	-	1	1	1	-----	-----	
12	50730-K94-T00	ARM, L. PILLION STEP.....	1	1	1	-	-	-	-----	-----	3ED,3FO,5ED,7ED,CH,ED,FO,IN,KO,MA,PH,RU,U,V
	50730-MKJ-E60	-	-	1	-	-	-	-----	-----	2ED,2FO,2IN,2KO,2MA,2PH,2RU,2U,2V,4ED
	50730-K94-T00	-	-	-	1	1	1	-----	-----	
13	50750-MKN-D50	HOLDER, R. PILLION STEP.....	1	1	1	-	-	-	-----	-----	3ED,3FO,5ED,7ED,CH,ED,FO,IN,KO,MA,PH,RU,U,V
	50750-MKY-DP0	-	-	1	-	-	-	-----	-----	2ED,2FO,2IN,2KO,2MA,2PH,2RU,2U,2V,4ED
	50750-MKN-D50	-	-	-	1	1	1	-----	-----	
14	50760-MKN-D50	HOLDER, L. PILLION STEP.....	1	1	1	-	-	-	-----	-----	3ED,3FO,5ED,7ED,CH,ED,FO,IN,KO,MA,PH,RU,U,V
	50760-MKY-DP0	-	-	1	-	-	-	-----	-----	2ED,2FO,2IN,2KO,2MA,2PH,2RU,2U,2V,4ED
	50760-MKN-D50	-	-	-	1	1	1	-----	-----	
15	51486-MKN-D50	COLLAR, STEP LOWER.....	2	2	2	-	-	-	-----	-----	3ED,3FO,5ED,7ED,CH,ED,FO,IN,KO,MA,PH,RU,U,V
	51486-MKY-DP0	-	-	2	-	-	-	-----	-----	2ED,2FO,2IN,2KO,2MA,2PH,2RU,2U,2V,4ED
	51486-MKN-D50	-	-	-	2	2	2	-----	-----	
16	90116-MGZ-J00	BOLT, SOCKET, 8X22.....	4	4	4	4	4	4	-----	-----	
17	90116-MJE-D00	BOLT, SOCKET, 8X18.....	4	4	4	4	4	4	-----	-----	
18	92501-06060-0A	BOLT, HEX. CAP, 6X60.....	2	2	2	-	-	-	-----	-----	3ED,3FO,5ED,7ED,CH,ED,FO,IN,KO,MA,PH,RU,U,V
	92501-06060-0G	-	-	2	-	-	-	-----	-----	2ED,2FO,2IN,2KO,2MA,2PH,2RU,2U,2V,4ED
	92501-06060-0A	-	-	-	2	2	2	-----	-----	
19	94101-08000	WASHER, PLAIN, 8MM.....	2	2	2	-	-	-	-----	-----	3ED,3FO,5ED,7ED,CH,ED,FO,IN,KO,MA,PH,RU,U,V
	94101-08700	-	-	2	-	-	-	-----	-----	2ED,2FO,2IN,2KO,2MA,2PH,2RU,2U,2V,4ED
	94101-08000	-	-	-	2	2	2	-----	-----	
20	94102-08800	WASHER, PLAIN, 8MM.....	2	2	2	-	-	-	-----	-----	3ED,3FO,5ED,7ED,CH,ED,FO,IN,KO,MA,PH,RU,U,V
	94102-08700	-	-	2	-	-	-	-----	-----	2ED,2FO,2IN,2KO,2MA,2PH,2RU,2U,2V,4ED
	94102-08800	-	-	-	2	2	2	-----	-----	
21	94201-20150	PIN, SPLIT, 2.0X15.....	4	4	4	4	4	4	-----	-----	
22	96211-08000	BALL, STEEL, #8(1/4).....	2	2	2	2	2	2	-----	-----	



F-31

SIDE STAND



MKY3F3100

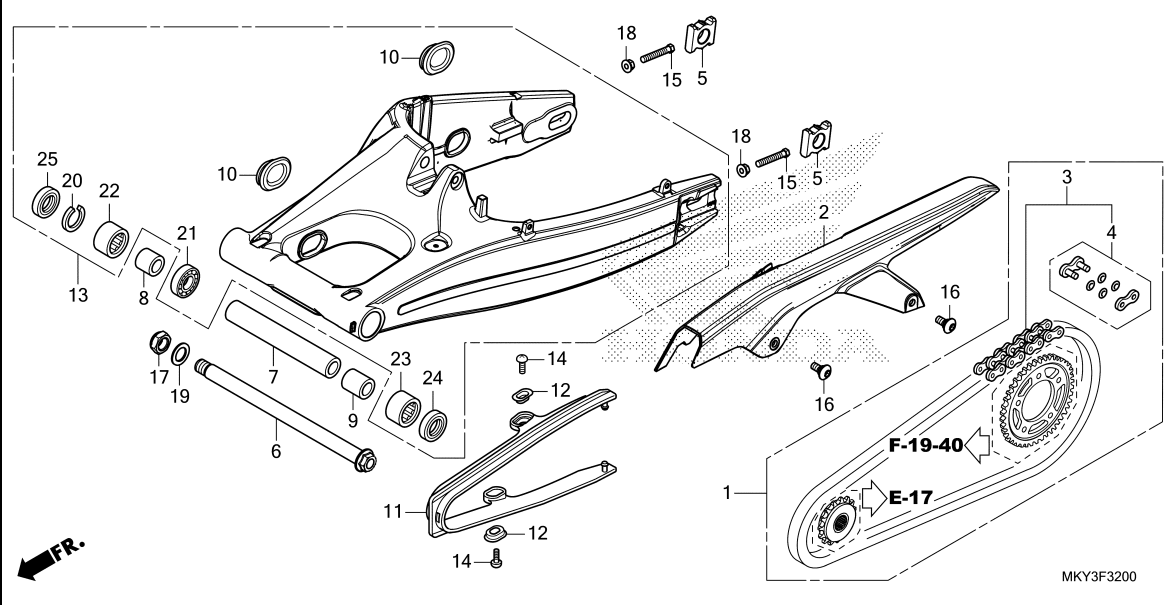
Ref. No.	L.O.N.	(Relative ref. Number) Description	F.R.T.
1	615195	SWITCH, SIDE STAND	0.5
2	410180	BAR, SIDE STAND	0.2
4	410182	SPRING, SIDE STAND	0.1

Ref. No.	Part No.	Description	Reqd. QTY						Serial No.	Parts catalogue code
			CB 650RA			CBR 650RA				
			M	N	P	M	N	P		
1	35700-MKY-D51	SWITCH ASSY., SIDE STAND.....	1	1	1	1	1	1		
2	50530-MJE-D00	BAR COMP., SIDE STAND.....	1	1	1	1	1	1		
3	50539-MFJ-D00	WASHER, 14.5X28.....	1	1	1	1	1	1		
4	50542-KPM-000	SPRING ASSY., SIDE STAND.....	1	1	1	1	1	1		
5	90108-KPP-860	BOLT, SIDE STAND PIVOT.....	1	1	1	1	1	1		
6	90132-KYJ-960	BOLT, SPECIAL, 6X16.....	1	1	1	1	1	1		
7	90203-MF9-710	NUT, SIDE STAND.....	1	1	1	1	1	1		

3

F-32

SWINGARM



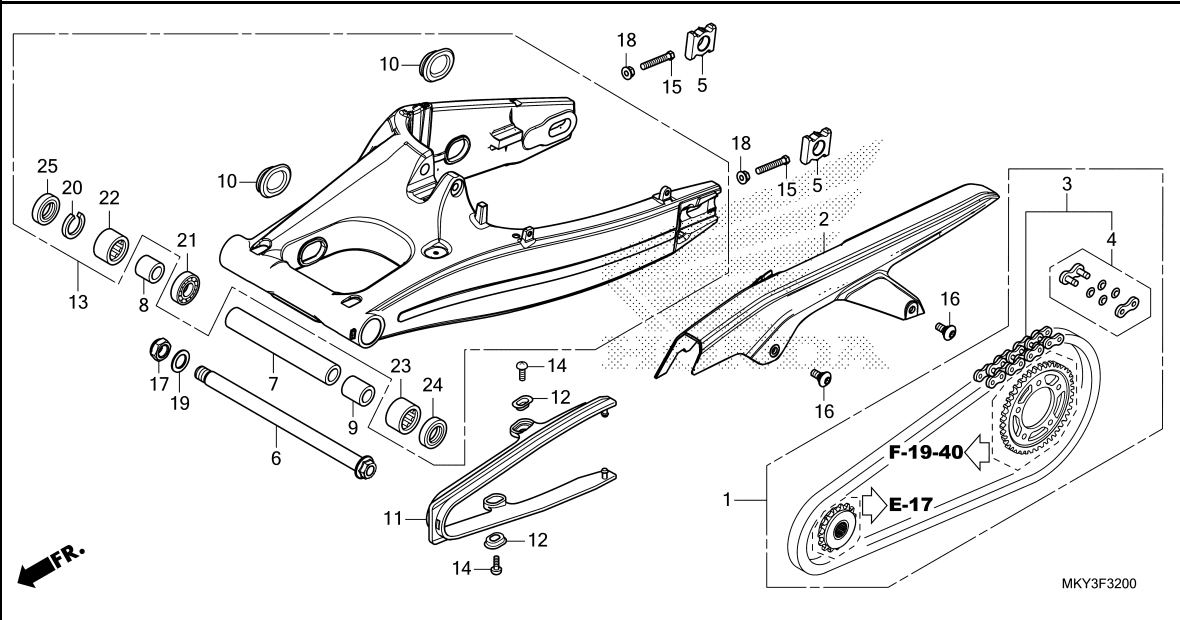
Ref. No.	L.O.N.	(Relative ref. Number) Description	F.R.T.
1	2131G4	CHAIN KIT, DRIVE	1.0
2	410195	CASE, DRIVE CHAIN	0.1
3	213165	CHAIN, DRIVE	0.5
11	4101E5	SLIDER, CHAIN	0.3
13	5121B0	SWINGARM ASSEMBLY	0.8
22	5121C9	BEARING, SWINGARM PIVOT :RIGHT .NOTE: Same time for two units	0.9
23	5121C8	BEARING, SWINGARM PIVOT :LEFT	1.1
	5121D0	BEARING, SWINGARM PIVOT :BOTH	1.1

Ref. No.	Part No.	Description	Reqd. QTY						Serial No.	Parts catalogue code
			CB 650RA			CBR 650RA				
			M	N	P	M	N	P		
1	06406-MKN-D10	CHAIN KIT, DRIVE(525-15&42T) · (STANDARD LINK 118L)	1	1	1	1	1	1	-----	2ED,3ED,4ED,5ED,7ED,ED
2	40511-MJE-D00	CASE, DRIVE CHAIN	1	1	1	1	1	1		
3	40540-MJE-D01	CHAIN, DRIVE(DAIDO) (DID525V11-120ZB)	1	1	1	1	1	1		
	40540-MJE-D02	CHAIN, DRIVE(RK JAPAN) (RK525KRW-120LJFZ)	1	1	1	1	1	1		
4	40545-MJE-D01	JOINT, DRIVE CHAIN(DAIDO) ····	1	1	1	1	1	1		
	40545-MJE-D02	JOINT, DRIVE CHAIN(RK) ······	1	1	1	1	1	1		
5	42305-MJE-D00	COLLAR, RR. AXLE ········	2	2	2	2	2	2		
6	52101-MKN-D50	BOLT, SWINGARM PIVOT ········	1	1	1	1	1	1		
7	52141-MJE-D00	COLLAR, CENTER PIVOT DISTANCE	1	1	1	1	1	1		
8	52142-MJE-D00	COLLAR, R. PIVOT DISTANCE ····	1	1	1	1	1	1		
9	52143-MJE-D00	COLLAR, L. PIVOT DISTANCE ····	1	1	1	1	1	1		
10	52161-KZZ-900	CAP, RR. SWINGARM ········	4	4	4	4	4	4		
11	52170-MJE-D00	SLIDER, CHAIN ··········	1	1	1	1	1	1		
12	52171-KR6-000	WASHER, CHAIN SLIDER ········	2	2	2	2	2	2		
13	52200-MKN-D50	SWINGARM SUB ASSY., RR. ······	1	1	1	1	1	1		
14	90104-KPP-900	SCREW, PAN, 5X12 ··········	2	2	2	2	2	2		
15	90106-MCF-D00	BOLT, HEX., 8X50 ··········	2	2	2	2	2	2		
16	90127-MKN-D50	SCREW, SPECIAL, 6X14 ········	2	2	2	2	2	2		
17	90305-MJE-D01	NUT, U, 18MM ··········	1	1	1	1	1	1	-----	2CH,2ED,2FO,2GS,2IN,2KO,2MA,2PH,2RU,2U,2V,3ED,3FO,4ED 4FO,CH,ED,FO,GS,IN,KO,MA,PH,RU,U,V 5ED,7ED
	90301-MJF-A01	··········	1	-	-	-	-	-	-----	



F-32

SWINGARM

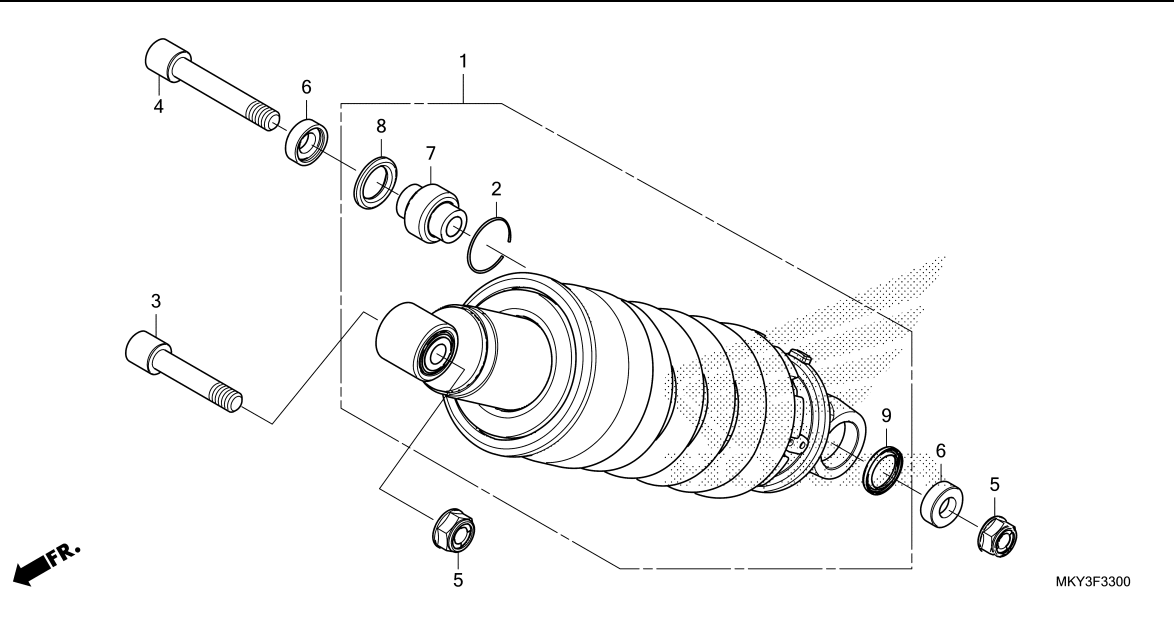


Ref. No.	Part No.	Description	Reqd. QTY						Serial No.	Parts catalogue code
			CB 650RA			CBR 650RA				
			M	N	P	M	N	P		
18	90309-357-000	NUT, HEX., 8MM	2	2	2	2	2	2		
19	90401-KZ4-890	WASHER, 18X32X2	1	1	1	1	1	1		
20	90651-MEW-920	CIRCLIP, INTERNAL(37)	1	1	1	1	1	1		
21	91054-MGS-D31	BEARING, RADIAL BALL, 20X37X9	1	1	1	1	1	1		
22	91055-MGS-D31	BEARING, NEEDLE, 30X37X20	1	1	1	1	1	1		
23	91071-MR7-003	BEARING, NEEDLE	1	1	1	1	1	1		
24	91202-MR7-003	DUST SEAL, 28X37X4	1	1	1	1	1	1		
25	91253-KZ3-861	DUST SEAL, 30X37X4	1	1	1	1	1	1		

3

F-33

REAR CUSHION



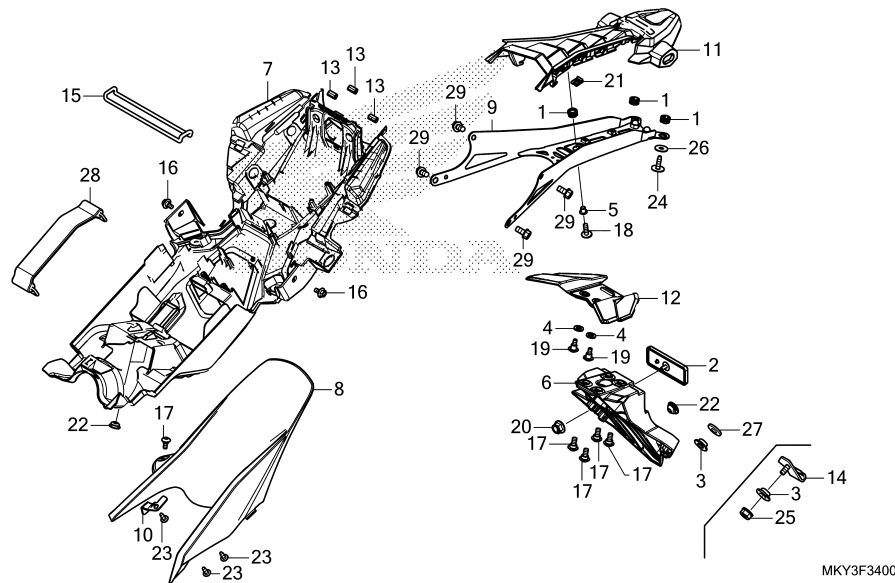
Ref. No.	L.O.N.	(Relative ref. Number) Description	F.R.T.
1	512115	CUSHION ASSY., REAR	0.6
7	5121D1	BEARING, REAR CUSHION	0.8

Ref. No.	Part No.	Description	Reqd. QTY						Serial No.	Parts catalogue code	
			CB 650RA			CBR 650RA					
			M	N	P	M	N	P			
1	52400-MKY-D51	CUSHION ASSY., RR.	1	1	-	1	1	-	-----	-----	2CH, 2ED, 2FO, 2KO, 2MA, 2U, 3ED, 3FO, 4ED, 4FO, 5ED, 7ED, CH, ED FO, KO, MA, U
	52400-MKY-305	1	1	-	-	-	-	-----	-----	IN
	52400-MKY-DP1	-	-	1	-	-	-	-----	-----	2ED, 2FO, 2KO, 2MA, 2PH, 2RU, 2U, 2V, 4ED
	52400-MKY-307	-	-	1	-	-	-	-----	-----	2IN
	52400-MKY-DN1	-	-	1	-	-	-	-----	-----	3ED, 3FO, ED, KO, MA, PH, RU, U, V
	52400-MKY-306	-	-	1	-	-	-	-----	-----	IN
	52400-MKY-DN1	-	-	-	-	-	1	-----	-----	
2	52487-KA4-831	RING, STOPPER	1	1	1	1	1	1			
3	90107-MJE-D00	BOLT, SOCKET, 10X51	1	1	1	1	1	1			
4	90108-MJE-D00	BOLT, SOCKET, 10X70	1	1	1	1	1	1			
5	90304-MCS-G01	NUT U, FLANGE, 10MM	2	2	2	2	2	2			
6	90501-MKN-D50	COLLAR, RR. CUSHION	2	2	2	2	2	2			
7	91071-MEC-003	BEARING, SPHERICAL, 10MM	1	1	1	1	1	1			
8	91351-KZ3-731	DUST SEAL, RR. CUSHION PIVOT	1	1	1	1	1	1			
9	91351-MAC-671	DUST SEAL, 16X26X3	1	1	1	1	1	1			



F-34

REAR FENDER



Ref. No.	L.O.N.	(Relative ref. Number) Description	F.R.T.
6	413105	FENDER A, REAR	0.1
7	413110	FENDER B, REAR	0.9
8	413111	FENDER C, REAR	0.1
9	4131M7	STAY, REAR FENDER	0.4
11	6161P5	COVER, LICENSE LIGHT	0.5
12	4131LD	COVER, REAR FENDER	0.1

Ref. No.	Part No.	Description	Reqd. QTY						Serial No.	Parts catalogue code
			CB 650RA			CBR 650RA				
			M	N	P	M	N	P		
1	19639-MKY-D50	RUBBER, MOUNT	3	3	3	3	3	3		
2	33741-KWN-901	REFLECTOR, REFLEX(STANLEY)...	1	1	1	1	1	1	-----	2KO, KO
	33742-KVJ-912	REFLECTOR, RR. REFLEX	1	1	-	1	1	-	-----	2CH, CH
	33741-KPL-902	REFLECTOR, REFLEX(FIEM)	1	-	-	-	-	-	-----	3ED, 5ED, 7ED, ED, FO, IN, KO, MA, U
			-	1	1	-	-	-	-----	2ED, 2FO, 2IN, 2MA, 2PH, 2RU, 2U, 2V, 3ED, 3FO, 4ED, ED, FO, IN, MA, PH, RU, U, V
			-	-	-	1	-	-	-----	2ED, 2FO, 2KO, 2MA, 2U, 3ED, 4ED, ED, FO, KO, MA, U
			-	-	-	-	1	1	-----	2ED, 2FO, 2GS, 2MA, 2PH, 2RU, 2U, 2V, 3ED, 3FO, 4ED, 4FO, ED, FO, GS, MA, PH, RU, U, V
3	44125-MN5-000	COLLAR, FR. WHEEL COVER	1	1	1	1	1	1	-----	2ED, 2GS, 3ED, 4ED, 5ED, 7ED, ED, GS
			2	2	2	-	-	-	-----	2IN, IN
			3	-	-	-	-	-	-----	CH, FO
			-	3	-	-	-	-	-----	3FO, CH, FO
			-	-	3	-	-	-	-----	2FO, 2PH, 2V, 3FO, PH, V
			-	-	-	3	-	-	-----	2CH, 2FO, CH, FO
			-	-	-	-	3	-	-----	2CH, 2FO, 3FO, 4FO, CH, FO
			-	-	-	-	-	3	-----	2PH, 2V, 3FO, 4FO, PH, V
4	61106-KW6-840	RUBBER B, MOUNTING	2	2	2	2	2	2		
5	80101-MFJ-D00	COLLAR, RR. FENDER	1	1	1	1	1	1		
6	80101-MKY-F50	FENDER A, RR.	1	1	1	1	1	1	-----	2CH, 2FO, 3FO, 4FO, CH, FO
	80101-MKY-D50	1	1	1	1	1	1	-----	2ED, 2GS, 2IN, 2KO, 2MA, 2PH, 2RU, 2U, 2V, 3ED, 4ED, 5ED, 7ED, ED, GS, IN, KO, MA, PH, RU, U, V
7	80102-MKY-D50	FENDER B, RR.	1	1	1	1	1	1		
8	80103-MKN-D50	FENDER C, RR.	1	1	1	1	1	1		
9	80103-MKY-D50	STAY COMP., RR. FENDER	1	1	-	1	1	-		
	80103-MKY-DP0	-	-	1	-	-	1		
10	80106-MKN-D50	STAY, RR. FENDER C	1	1	1	1	1	1		

MKY3F3400

3

F-34

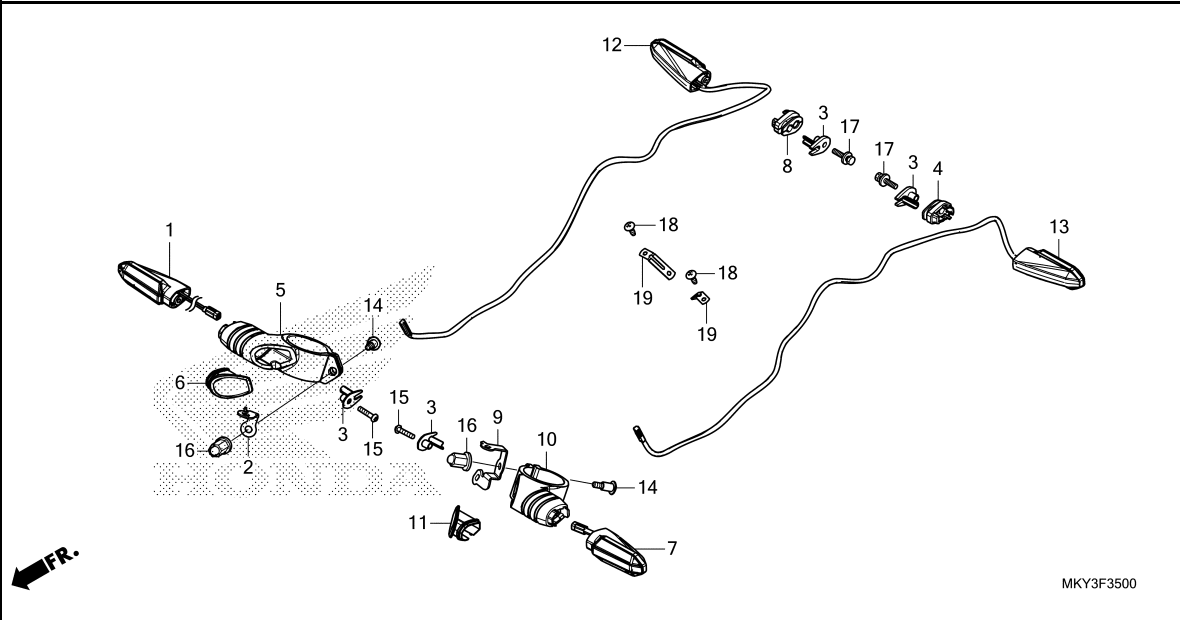
REAR FENDER

Ref. No.	Part No.	Description	Reqd. QTY						Serial No.	Parts catalogue code
			CB 650RA			CBR 650RA				
			M	N	P	M	N	P		
11	80150-MKY-D50ZA	COVER SET, RR. FENDER STAY UPPER(WL)								
		TYPE1	1	1	1	1	1	1		
12	80161-MKY-D50	COVER, RR. FENDER STAY LOWER	1	1	1	1	1	1		
13	83515-KPH-700	RUBBER, TAIL COVER	3	3	3	3	3	3		
14	84720-MKN-F50	BRACKET, NUMBER PLATE	1	1	1	1	1	1	----- 2CH,2FO,3FO,4FO,CH,FO	
15	89012-KZL-930	BAND, TOOL	1	1	1	1	1	1		
16	90116-ME9-000	BOLT, FLANGE, 6MM	2	2	2	2	2	2		
17	90127-MKN-D50	SCREW, SPECIAL, 6X14	5	5	5	5	5	5		
18	90133-MKN-D50	SCREW, PAN, 5X16	1	1	1	1	1	1		
19	90134-MKY-D50	SCREW, PAN, 5X14	2	2	2	2	2	2		
20	90301-KWN-901	NUT, U, 5MM	1	1	1	1	1	1		
21	90677-KAN-T00	NUT, CLIP, 5MM	1	1	1	1	1	1		
22	90852-KPP-T00	PLUG, HOLE	4	4	-	-	-	-	----- 3ED,5ED,7ED,ED,KO,MA,U	
			3	3	-	-	-	-	----- 3FO,CH,FO,IN	
			-	-	3	3	3	-	----- 2CH,2FO,2IN,2PH,2V,3FO,4FO,CH,FO,IN,PH,V	
			-	-	4	-	-	-	----- 2ED,2KO,2MA,2RU,2U,3ED,4ED,ED,KO,MA,RU,U	
			-	-	-	4	4	-	----- 2ED,2KO,2MA,2U,3ED,4ED,ED,KO,MA,U	
			-	-	-	-	4	-	----- 2ED,2GS,2KO,2MA,2RU,2U,3ED,4ED,ED,GS,KO,MA,RU,U	
			-	-	-	-	3	-	----- 2PH,2V,3FO,4FO,PH,V	
23	93903-24380	SCREW, TAPPING, 4X12	3	3	3	3	3	3		
24	93903-24480	SCREW, TAPPING, 4X16	2	2	2	2	2	2		
25	94050-06000	NUT, FLANGE, 6MM	1	1	1	1	1	1	----- 2CH,2FO,3FO,4FO,CH,FO	
26	94103-04700	WASHER, PLAIN, 4MM	2	2	2	2	2	2		
27	94103-06000	WASHER, PLAIN, 6MM	2	2	2	2	2	2	----- 2CH,2FO,2IN,2PH,2V,3FO,4FO,CH,FO,IN,PH,V	
			3	-	-	-	-	-	----- 3ED,5ED,7ED,ED	
			-	3	-	-	-	-	----- 3ED,ED	
			-	-	3	3	3	-	----- 2ED,3ED,4ED,ED	
			-	-	-	-	3	-	----- 2ED,2GS,3ED,4ED,ED,GS	
28	95012-13001	BAND B2, BATTERY(120MM)	1	1	1	1	1	1		
29	95701-08016-08	BOLT, FLANGE, 8X16	4	4	4	4	4	4		



F-35

WINKER(CB650RA)



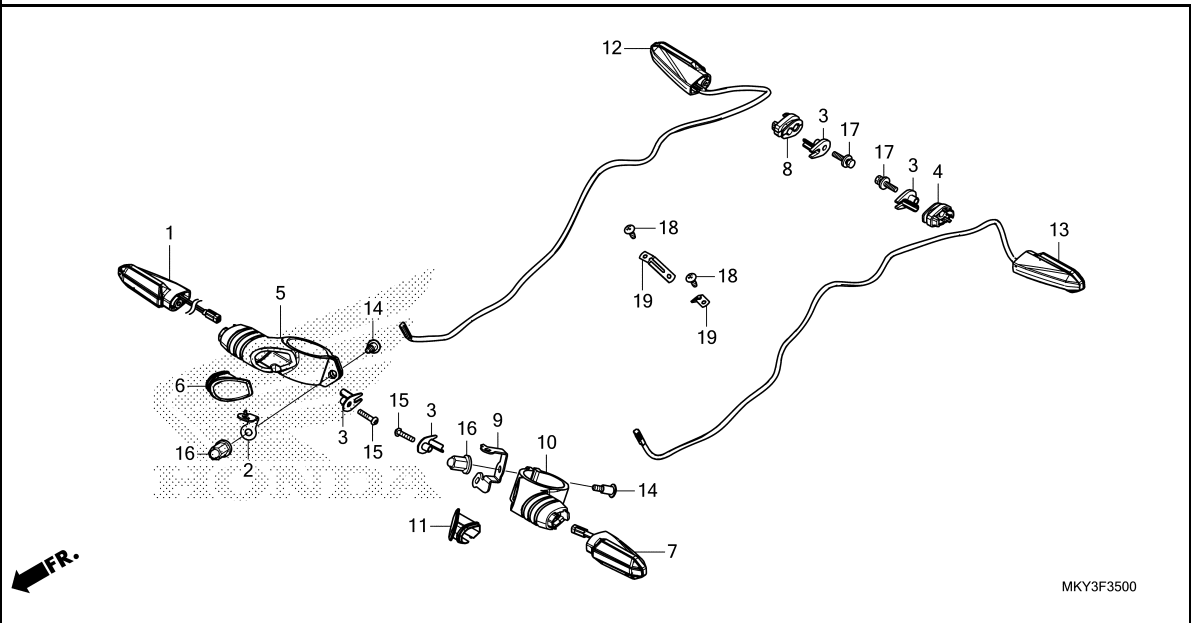
Ref. No.	L.O.N.	(Relative ref. Number) Description	F.R.T.
1	6161C4	WINKER :RIGHT FRONT	0.2
7	6161C3	WINKER :LEFT FRONT	0.2
	6161C5	WINKER :BOTH FRONT	0.3
12	6161C7	WINKER :RIGHT REAR	0.4
13	6161C6	WINKER :LEFT REAR	0.4
	6161C8	WINKER :BOTH REAR	0.6

Ref. No.	Part No.	Description	Reqd. QTY						Serial No.	Parts catalogue code
			CB 650RA			CBR 650RA				
			M	N	P	M	N	P		
1	33400-MKJ-D01	WINKER ASSY., R. FR.....	1	1	1	-	-	-	-----	2ED,2FO,2KO,2MA,2PH,2RU,2U,2V,3ED,3FO,4ED,5ED,7ED,ED FO,KO,MA,PH,RU,U,V
	33400-MKN-N51	1	1	1	-	-	-	-----	2IN,IN
	33400-MKJ-H01	1	1	-	-	-	-	-----	CH
2	33407-MKN-D50	STAY, R. FR. WINKER RUBBER...	1	1	1	-	-	-		
3	33411-K15-920	COLLAR, WINKER.....	4	4	4	-	-	-		
4	33412-MKN-D50	RUBBER, R. WINKER MOUNTING... (L. RR.)	1	1	1	-	-	-		
5	33413-MKN-D50	RUBBER, R. WINKER MOUNTING...	1	1	1	-	-	-		
6	33414-MKN-D50	COVER, R. WINKER RUBBER.....	1	1	1	-	-	-		
7	33450-K98-E01	WINKER ASSY., L. FR.....	1	1	1	-	-	-	-----	2ED,2FO,2KO,2MA,2PH,2RU,2U,2V,3ED,3FO,4ED,5ED,7ED,ED FO,KO,MA,PH,RU,U,V
	33450-MKN-N51	1	1	1	-	-	-	-----	2IN,IN
	33450-MKJ-H01	1	1	-	-	-	-	-----	CH
8	33452-MKN-D50	RUBBER, L. WINKER MOUNTING... (R. RR.)	1	1	1	-	-	-		
9	33457-MKN-D50	STAY, L. FR. WINKER RUBBER...	1	1	1	-	-	-		
10	33463-MKN-D50	RUBBER, L. WINKER MOUNTING...	1	1	1	-	-	-		
11	33464-MKN-D50	COVER, L. WINKER RUBBER.....	1	1	1	-	-	-		
12	33600-MKY-D51	WINKER ASSY., R. RR.....	1	1	1	-	-	-	-----	2ED,2FO,2IN,2KO,2MA,2PH,2RU,2U,2V,3ED,3FO,4ED,5ED,7ED ED,FO,IN,KO,MA,PH,RU,U,V
	33600-MKY-H51	1	1	-	-	-	-	-----	CH
13	33650-MGC-JD1	WINKER ASSY., L. RR.(MITSUBA)	1	1	1	-	-	-	-----	2ED,2FO,2IN,2KO,2MA,2PH,2RU,2U,2V,3ED,3FO,4ED,5ED,7ED ED,FO,IN,KO,MA,PH,RU,U,V
	33650-MGC-NN1	1	1	-	-	-	-	-----	CH
14	90123-MKN-D50	BOLT, SOCKET, 6X22.....	2	2	2	-	-	-		



F-35

WINKER(CB650RA)



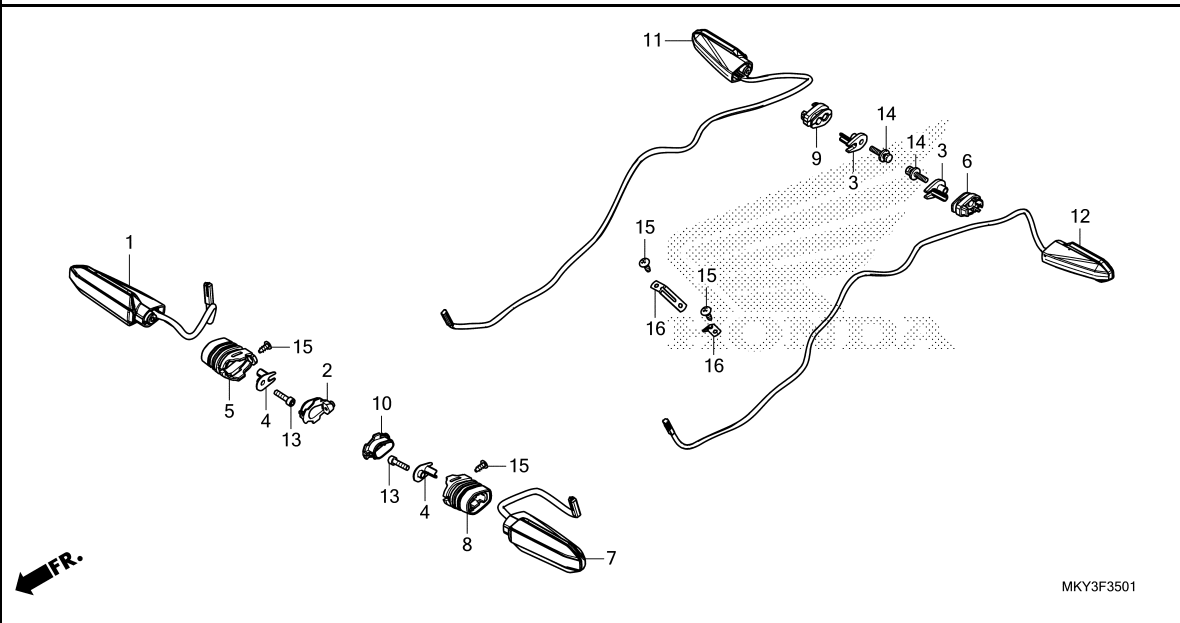
MKY3F3500

Ref. No.	Part No.	Description	Reqd. QTY						Serial No.	Parts catalogue code
			CB 650RA			CBR 650RA				
			M	N	P	M	N	P		
15	90131-MKN-D50	BOLT, SPECIAL, 5X23	2	2	2	-	-	-	-----	2ED, 2FO, 2IN, 2KO, 2MA, 2PH, 2RU, 2U, 2V, 3ED, 3FO, 4ED, CH, ED
	90119-MJC-A00		2	-	-	-	-	-	-----	FO, IN, KO, MA, PH, RU, U, V 5ED, 7ED
16	90306-MKN-D50	NUT, HEX. CAP, 6MM	2	2	2	-	-	-		
17	93411-05025-00	BOLT-WASHER, 5X25	2	2	2	-	-	-		
18	93903-24380	SCREW, TAPPING, 4X12	2	2	2	-	-	-		
19	94591-45000	CLIP, WIRE, 4X50	2	2	2	-	-	-		



F-35-1

WINKER(CBR650RA)



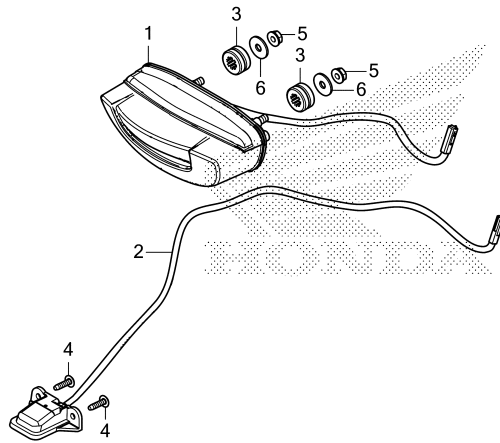
Ref. No.	L.O.N.	(Relative ref. Number) Description	F.R.T.
1	6161Y1	WINKER(A) :RIGHT FRONT	0.3
7	6161Y2	WINKER(A) :LEFT FRONT	0.3
	6161Y3	WINKER(A) :BOTH FRONT	0.6
11	6161C7	WINKER :RIGHT REAR	0.4
12	6161C6	WINKER :LEFT REAR	0.4
	6161C8	WINKER :BOTH REAR	0.6

Ref. No.	Part No.	Description	Reqd. QTY						Serial No.	Parts catalogue code
			CB 650RA			CBR 650RA				
			M	N	P	M	N	P		
1	33400-MKN-D11	WINKER ASSY., R. FR.....	-	-	-	1	1	1	-----	2ED,2FO,2GS,2KO,2MA,2PH,2RU,2U,2V,3ED,3FO,4ED,4FO,ED FO,GS,KO,MA,PH,RU,U,V
	33400-MKN-H11	-	-	-	1	1	-	-----	2CH,CH
2	33409-MKN-D10	HOLDER, R. WINKER.....	-	-	-	1	1	1		
3	33411-K15-920	COLLAR, WINKER.....	-	-	-	2	2	2		
4	33411-MKE-A50	COLLAR, WINKER.....	-	-	-	2	2	2		
5	33412-MKN-D10	RUBBER, R. FR. WINKER MOUNTING	-	-	-	1	1	1		
6	33412-MKN-D50	RUBBER, R. WINKER MOUNTING... (L. RR.)	-	-	-	1	1	1		
7	33450-MKN-D11	WINKER ASSY., L. FR.....	-	-	-	1	1	1	-----	2ED,2FO,2GS,2KO,2MA,2PH,2RU,2U,2V,3ED,3FO,4ED,4FO,ED FO,GS,KO,MA,PH,RU,U,V
	33450-MKN-H11	-	-	-	1	1	-	-----	2CH,CH
8	33452-MKN-D10	RUBBER, L. FR. WINKER MOUNTING	-	-	-	1	1	1		
9	33452-MKN-D50	RUBBER, L. WINKER MOUNTING... (R. RR.)	-	-	-	1	1	1		
10	33459-MKN-D10	HOLDER, L. WINKER.....	-	-	-	1	1	1		
11	33600-MKY-D51	WINKER ASSY., R. RR.....	-	-	-	1	1	1	-----	2ED,2FO,2GS,2KO,2MA,2PH,2RU,2U,2V,3ED,3FO,4ED,4FO,ED FO,GS,KO,MA,PH,RU,U,V
	33600-MKY-H51	-	-	-	1	1	-	-----	2CH,CH
12	33650-MGC-JD1	WINKER ASSY., L. RR.(MITSUBA)	-	-	-	1	1	1	-----	2ED,2FO,2GS,2KO,2MA,2PH,2RU,2U,2V,3ED,3FO,4ED,4FO,ED FO,GS,KO,MA,PH,RU,U,V
	33650-MGC-NN1	-	-	-	1	1	-	-----	2CH,CH
13	90116-MGE-D00	BOLT, SOCKET, 5X20.....	-	-	-	2	2	2		
14	93411-05025-00	BOLT-WASHER, 5X25.....	-	-	-	2	2	2		
15	93903-24380	SCREW, TAPPING, 4X12.....	-	-	-	4	4	4		
16	94591-45000	CLIP, WIRE, 4X50.....	-	-	-	2	2	2		

3

F-36

TAILLIGHT/LICENSE LIGHT



MKY3F3600

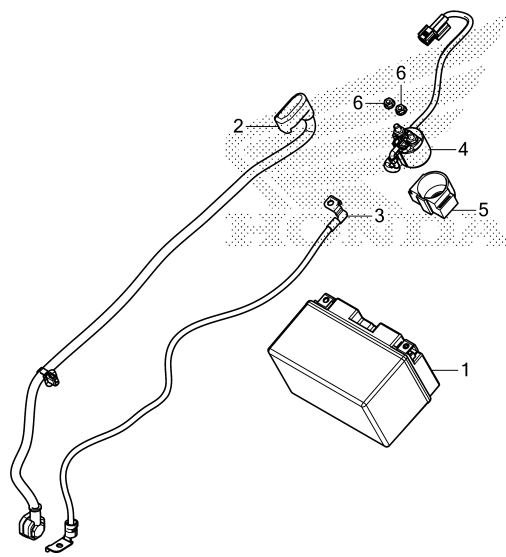
Ref. No.	L.O.N.	(Relative ref. Number) Description	F.R.T.
1	6161D5	TAILLIGHT UNIT	0.5
2	6161D8	LIGHT, LICENSE	0.4

Ref. No.	Part No.	Description	Reqd. QTY						Serial No.	Parts catalogue code
			CB 650RA			CBR 650RA				
			M	N	P	M	N	P		
1	33701-MKY-D51	TAILLIGHT UNIT	1	1	1	1	1	1		
2	33720-MKY-D51	LIGHT ASSY., LICENSE	1	1	1	1	1	1	-----	----- 2ED, 2FO, 2GS, 2IN, 2KO, 2MA, 2PH, 2RU, 2U, 2V, 3ED, 3FO, 4ED, 4FO 5ED, 7ED, ED, FO, GS, IN, KO, MA, PH, RU, U, V ----- 2CH, CH
	33720-MKY-H51	1	1	-	1	1	-		
3	84703-425-000	RUBBER, TAILLIGHT MOUNTING...	2	2	2	2	2	2		
4	93903-24480	SCREW, TAPPING, 4X16	2	2	2	2	2	2		
5	94050-06000	NUT, FLANGE, 6MM	2	2	2	2	2	2		
6	94103-06000	WASHER, PLAIN, 6MM	2	2	2	2	2	2		

3

F-37

BATTERY



← MFR.

MKY3F3700

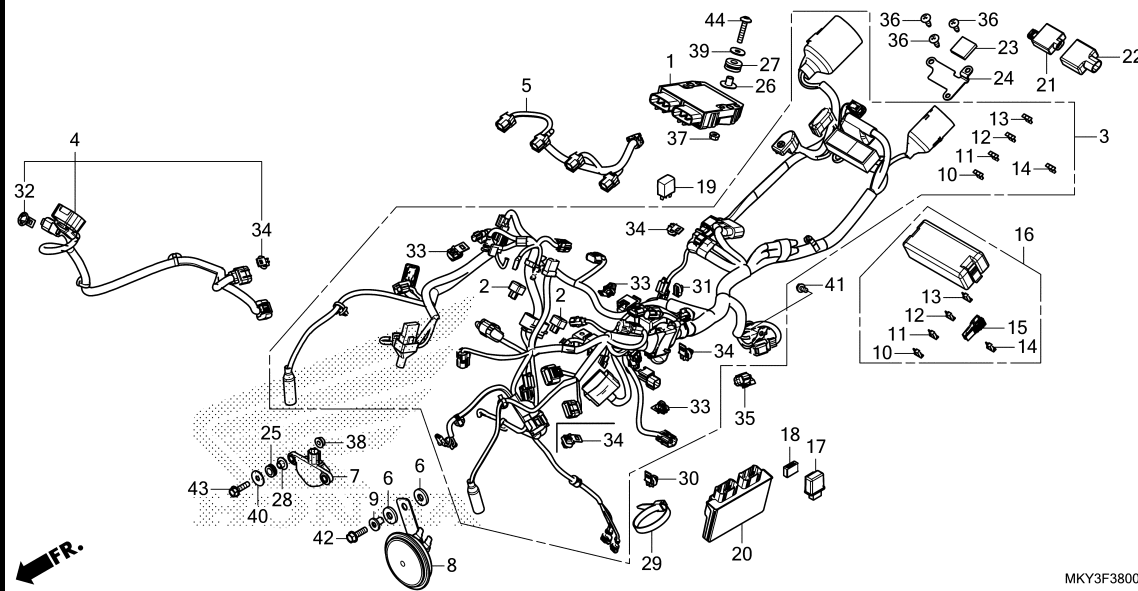
Ref. No.	L.O.N.	(Relative ref. Number) Description	F.R.T.
1	610100	BATTERY	0.2
2	612115	CABLE, STARTER MOTOR	0.4
3	610110	CABLE, NEGATIVE BATTERY	0.3
4	615113	SWITCH, STARTER MAGNETIC	0.2

Ref. No.	Part No.	Description	Reqd. QTY						Serial No.	Parts catalogue code
			CB 650RA			CBR 650RA				
			M	N	P	M	N	P		
1	31500-MJE-DB2	BATTERY(YTZ10)(YUASA)	1	1	1	1	1	1	-----	2ED, 3ED, 4ED, ED
	31500-MGZ-D01	BATTERY(FTZ10S)(FURUKAWA)	1	1	1	1	1	1	-----	2FO, 2GS, 2MA, 2RU, 2U, 3FO, 4FO, FO, GS, MA, RU, U
	31500-MGZ-G02	1	1	1	1	1	1	-----	2KO, KO
	31500-MJW-N32	1	1	1	-	-	-	-----	2IN, IN
	31500-MGZ-H00	1	1	-	1	1	-	-----	2CH, CH
	31500-MJE-DB2	BATTERY(YTZ10)(YUASA)	(1)	-	-	-	-	-	-----	5ED, 7ED
	31500-ZS9-A62	BATTERY(YTZ10S)(GS YUASA)	1	-	-	-	-	-	-----	5ED, 7ED
	31500-MGZ-T11	BATTERY(FTZ10S)(FURUKAWA)	-	-	1	-	-	1	-----	2PH, PH
	31500-MKY-V01	BATTERY(YTZ10)(GS YUASA)	-	-	1	-	-	1	-----	2V, V
2	32410-MKY-D10	CABLE, STARTER MOTOR	1	1	1	1	1	1		
3	32601-MKN-D10	CABLE, BATTERY EARTH	1	1	1	1	1	1		
4	35850-MKY-D51	SWITCH ASSY., STARTER MAGNETIC	1	1	1	1	1	1		
5	35856-HP5-600	RUBBER, MAGNETIC SHOCK	1	1	1	1	1	1		
6	90071-MB0-000	NUT-WASHER, 6MM	2	2	2	2	2	2		

3

F-38

WIRE HARNESS



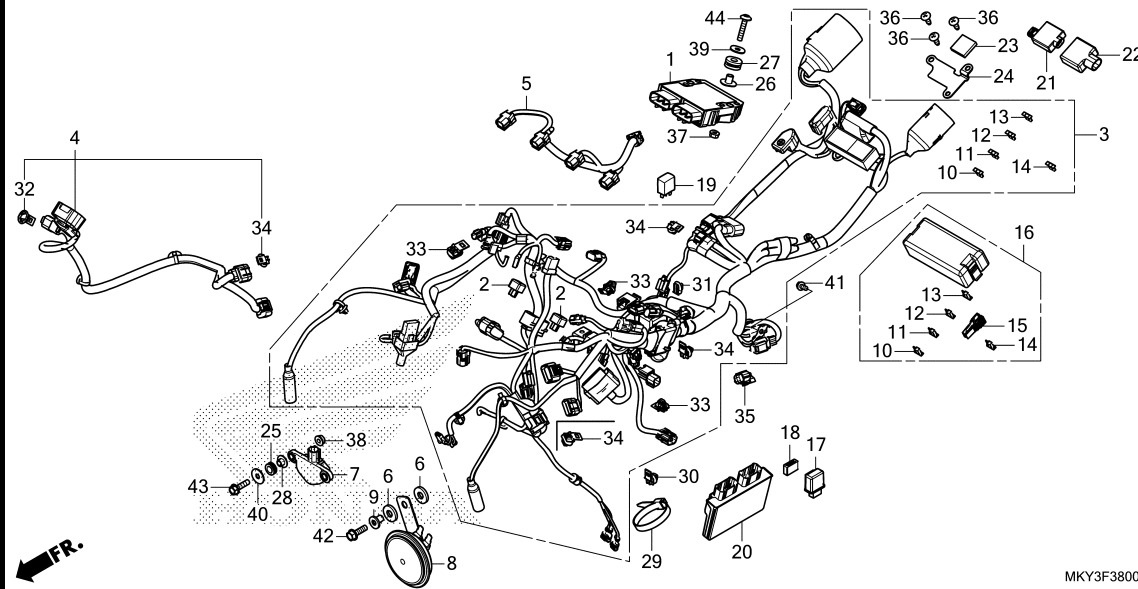
Ref. No.	L.O.N.	(Relative ref. Number) Description	F.R.T.
1	6131B2	RECTIFIER, REGULATE	0.4
2	6131B3	RECTIFIER, SILICON	1.3
	6131B3A	.Replace 1 silicon rectifier add	0.1
	6131D9	RECTIFIER, SILICON(A)	1.5
	6131D9A	.NOTE: With middle cowling .Replace 1 silicon rectifier add	0.1
3	611100	HARNESS, WIRE	3.3
	6111L3	HARNESS, WIRE(A)	3.5
		.NOTE: With middle cowling	
4	6111D7	SUB HARNESS, FRONT	1.0
5	611140	SUB HARNESS, INJECTOR	0.6
7	617125	SENSOR, BANK ANGLE	1.4
	6171E0	SENSOR, BANK ANGLE(A)	1.6
		.NOTE: With middle cowling	
8	616169	HORN	0.1
	6161Y7	HORN(A)	0.2
		.NOTE: With middle cowling	
17	6111C3	RELAY, WINKER	0.5
19	6111D9	RELAY, FAN CONTROL	0.5
	6111G1	RELAY, FUEL PUMP	0.5
	611155	RELAY, MAIN	0.5
20	618135	ENGINE CONTROL MODULE(ECM) ..	0.6
21	6111Z4	CHARGER UNIT, USB	0.2

Ref. No.	Part No.	Description	Reqd. QTY						Serial No.	Parts catalogue code
			CB 650RA			CBR 650RA				
			M	N	P	M	N	P		
1	31600-MKN-D51	RECTIFIER ASSY., REGULATE	1	1	1	1	1	1		
2	31700-196-000	RECTIFIER COMP., SILICON	2	2	2	2	2	2		
3	32100-MKY-D50	HARNESS, WIRE	1	1	1	-	-	-	2ED, 3ED, 4ED, 5ED, 7ED, ED	
	32100-MKY-F50	1	1	1	-	-	-	2FO, 3FO, FO	
	32100-MKY-N50	1	1	1	-	-	-	2IN, IN	
	32100-MKY-K50	1	1	1	-	-	-	2KO, KO	
	32100-MKY-M50	1	1	1	-	-	-	2MA, 2RU, MA, RU	
	32100-MKY-U50	1	1	1	-	-	-	2U, U	
	32100-MKY-H50	1	1	-	-	-	-	CH	
	32100-MKY-T50	-	-	1	-	-	-	2PH, 2V, PH, V	
	32100-MKY-D10	-	-	-	1	1	1	2ED, 2GS, 3ED, 4ED, ED, GS	
	32100-MKY-F10	-	-	-	1	1	1	2FO, 3FO, 4FO, FO	
	32100-MKY-K10	-	-	-	1	1	1	2KO, KO	
	32100-MKY-M10	-	-	-	1	1	1	2MA, 2RU, MA, RU	
	32100-MKY-U10	-	-	-	1	1	1	2U, U	
	32100-MKY-H10	-	-	-	1	1	-	2CH, CH	
	32100-MKY-T10	-	-	-	-	-	1	2PH, 2V, PH, V	
4	32103-MKN-D10	SUB HARNESS, FR.	-	-	-	1	1	1	2ED, 2FO, 2GS, 2KO, 2MA, 2PH, 2RU, 2U, 2V, 3ED, 3FO, 4ED, 4FO, ED, FO, GS, KO, MA, PH, RU, U, V	
	32103-MKN-H10	-	-	-	1	1	-	2CH, CH	
5	32104-MKY-D50	SUB HARNESS, INJECTOR	1	1	1	1	1	1		
6	33714-KL3-620	RUBBER, TAILLIGHT BRACKET	2	2	2	2	2	2		
7	35160-MGS-D31	SENSOR ASSY., BANK ANGLE	1	1	1	1	1	1		
8	38110-KPP-T01	HORN COMP.(HIGH)	1	1	1	1	1	1	2ED, 2GS, 2IN, 2KO, 2MA, 2PH, 2RU, 2U, 2V, 3ED, 4ED, 5ED, 7ED, ED, GS, IN, KO, MA, PH, RU, U, V	
	38110-MJE-H01	1	1	1	1	1	1	2FO, 3FO, 4FO, FO	
	38110-MJE-HB3	HORN COMP.(HIGH)(NIKKO)	1	-	-	1	-	-	2CH, CH	
	38110-MJW-H53	HORN COMP.(HIGH)	-	1	-	-	1	-	2CH, CH	



F-38

WIRE HARNESS



Ref. No.	Part No.	Description	Reqd. QTY						Serial No.	Parts catalogue code
			CB 650RA			CBR 650RA				
			M	N	P	M	N	P		
9	38117-KFE-701	COLLAR, HORN SETTING.....	1	1	1	1	1	1		
10	38221-SNA-A31	FUSE, BLADE(7.5A).....	7	7	7	7	7	7		
11	38221-SNA-A41	FUSE, BLADE(10A).....	2	2	2	2	2	2		
12	38221-SNA-A51	FUSE, BLADE(15A).....	2	2	2	2	2	2		
13	38221-SNA-A61	FUSE, BLADE(20A).....	2	2	2	2	2	2		
14	38221-SNA-A81	FUSE, BLADE(30A).....	4	4	4	4	4	4		
15	38235-SNA-A01	PULLER, MINI FUSE.....	1	1	1	1	1	1		
16	38255-MKY-D51	COVER ASSY., POWER BOX.....	1	1	1	1	1	1		
17	38301-MKJ-D01	RELAY COMP., WINKER(LED).....	1	1	1	1	1	1	-----	2ED, 2FO, 2GS, 2IN, 2KO, 2MA, 2PH, 2RU, 2U, 2V, 3ED, 3FO, 4ED, 4FO 5ED, 7ED, ED, FO, GS, IN, KO, MA, PH, RU, U, V 2CH, CH
	38301-KZZ-J01	1	1	-	1	1	-	-----	2CH, CH
18	38306-KK4-000	SUSPENSION, WINKER RELAY (MITSUBA)	1	1	1	1	1	1		
19	38501-MCS-G01	RELAY COMP., POWER (MICRO ISO 4P)	3	3	3	3	3	3		
20	38770-MKY-F52	PGM-FI UNIT.....	1	1	1	1	1	1	-----	2FO, 3FO, 4FO, FO
	38770-MKY-N51	1	1	1	-	-	-	-----	2IN, IN
	38770-MKY-M51	1	1	1	-	-	-	-----	2MA, 2RU, MA, RU
	38770-MKY-U51	1	1	1	-	-	-	-----	2U, U
	38770-MKY-H52	1	1	-	1	1	-	-----	2CH, CH
	38770-MKY-DF1	1	1	-	-	-	-	-----	3ED, 7ED
	38770-MKY-D51	1	1	-	-	-	-	-----	5ED, ED, KO
	38770-MKY-DN1	-	-	1	-	-	-	-----	2ED, 2KO, ED, KO
	38770-MKY-T51	-	-	1	-	-	-	-----	2PH, 2V, PH, V
	38770-MKY-DS1	-	-	1	-	-	-	-----	3ED, 4ED
	38770-MKY-M11	-	-	-	1	1	1	-----	2MA, 2RU, MA, RU
	38770-MKY-U11	-	-	-	1	1	1	-----	2U, U

F-38

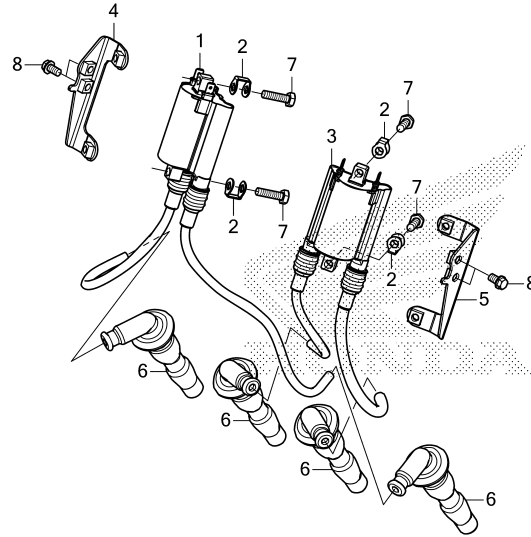
WIRE HARNESS

Ref. No.	Part No.	Description	Reqd. QTY						Serial No.	Parts catalogue code	
			CB 650RA			CBR 650RA					
			M	N	P	M	N	P			
20)	38770-MKY-D11	PGM-FI UNIT.....	-	-	-	1	1	-	-----	-----	2ED, 2KO, ED, KO
	38770-MKY-DB1	-	-	-	1	1	-	-----	-----	3ED, 4ED
	38770-MKY-DL1	-	-	-	-	-	1	-----	-----	2ED, 2GS, 2KO, ED, GS, KO
	38770-MKY-T11	-	-	-	-	-	1	-----	-----	2PH, 2V, PH, V
	38770-MKY-DQ1	-	-	-	-	-	1	-----	-----	3ED, 4ED
21	38940-MKR-D11	CHARGER UNIT, USB(TYPE-C)....	1	1	1	1	1	1	-----	-----	2CH, 2ED, 2FO, 2GS, 2IN, 2MA, 2PH, 2RU, 2V, 3ED, 3FO, 4ED, 4FO 5ED, 7ED, CH, ED, FO, GS, IN, MA, PH, RU, V
22	38941-MKR-D10	COVER, USB CHARGER(TYPE-C)...	1	1	1	1	1	1	-----	-----	2CH, 2ED, 2FO, 2GS, 2IN, 2MA, 2PH, 2RU, 2V, 3ED, 3FO, 4ED, 4FO 5ED, 7ED, CH, ED, FO, GS, IN, MA, PH, RU, V
23	39103-MKR-D10	CUSHION, USB UNIT, 30X30.....	1	1	1	1	1	1	-----	-----	2CH, 2ED, 2FO, 2GS, 2IN, 2MA, 2PH, 2RU, 2V, 3ED, 3FO, 4ED, 4FO 5ED, 7ED, CH, ED, FO, GS, IN, MA, PH, RU, V
24	39671-MKY-D50	STAY, USB SOCKET.....	1	1	1	1	1	1	-----	-----	2CH, 2ED, 2FO, 2GS, 2IN, 2MA, 2PH, 2RU, 2V, 3ED, 3FO, 4ED, 4FO 5ED, 7ED, CH, ED, FO, GS, IN, MA, PH, RU, V
25	64535-MFJ-D00	RUBBER, SIDE COVER.....	2	2	2	2	2	2			
26	77326-MJS-J70	COLLAR, PILLION SEAT MOUNTING	2	2	2	2	2	2			
27	77327-MJS-J70	RUBBER, PILLION SEAT MOUNTING	2	2	2	2	2	2			
28	90129-MGZ-J00	COLLAR, BANK ANGLE SENSOR....	2	2	2	2	2	2			
29	90651-KV6-003	BAND, WIRE, 165MM(BLACK).....	1	1	1	1	1	1			
30	90683-KJ2-003	CLIP, WIRE HARNESS.....	1	1	1	-	-	-			
31	91534-SWA-003	CLIP, COUPLER(DARK GRAY).....	1	1	1	1	1	1			
32	91535-STK-003	CLIP, COUPLER(DARK BLUE).....	-	-	-	1	1	1			
33	91535-TA0-003	CLIP, COUPLER(DARK BROWN)....	2	2	-	-	-	-	-----	-----	3ED, 3FO, 5ED, 7ED, CH, ED, FO, KO
			3	3	-	-	-	-	-----	-----	IN, MA, U
			-	-	2	2	2	-	-----	-----	2CH, 2ED, 2FO, 2KO, 3ED, 3FO, 4ED, 4FO, CH, ED, FO, KO
			-	-	3	-	-	-	-----	-----	2IN, 2MA, 2PH, 2RU, 2U, 2V, IN, MA, PH, RU, U, V
			-	-	-	3	3	-	-----	-----	2MA, 2U, MA, U
			-	-	-	-	-	2	-----	-----	2ED, 2GS, 2KO, 3ED, 3FO, 4ED, 4FO, ED, GS, KO
			-	-	-	-	-	3	-----	-----	2MA, 2PH, 2RU, 2U, 2V, MA, PH, RU, U, V
34	91565-SEL-003	CLIP, COUPLER(BLACK).....	2	2	2	4	4	4			
35	91771-MKK-H11	CAP, DUMMY(6P)(RED).....	1	1	1	1	1	1			
36	93903-24380	SCREW, TAPPING, 4X12.....	3	3	3	3	3	3	-----	-----	2CH, 2ED, 2FO, 2GS, 2IN, 2MA, 2PH, 2RU, 2V, 3ED, 3FO, 4ED, 4FO 5ED, 7ED, CH, ED, FO, GS, IN, MA, PH, RU, V
37	94050-06070	NUT, FLANGE, 6MM.....	2	2	2	2	2	2			
38	94050-06080	NUT, FLANGE, 6MM.....	2	2	2	2	2	2			
39	94103-06700	WASHER, PLAIN, 6MM.....	2	2	2	2	2	2			
40	94103-06800	WASHER, PLAIN, 6MM.....	2	2	2	2	2	2			
41	95701-06014-08	BOLT, FLANGE, 6X14.....	1	1	1	1	1	1			
42	95701-06020-07	BOLT, FLANGE, 6X20.....	1	1	1	1	1	1			
43	95701-06022-08	BOLT, FLANGE, 6X22.....	2	2	2	2	2	2			
44	96600-06032-00	BOLT, SOCKET, 6X32.....	2	2	2	2	2	2			



F-38-20

IGNITION COIL



FR.

MKY3F3820

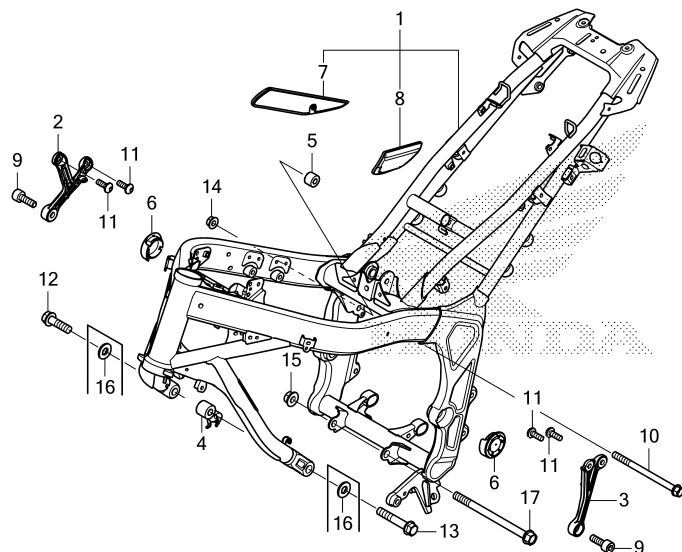
Ref. No.	L.O.N.	(Relative ref. Number) Description	F.R.T.
1	6141E1	COIL, IGNITION :NO.1,4 CYLINDER SIDE	1.4
	6141F4	COIL, IGNITION(A) :NO.1,4 CYLINDER SIDE	1.6
		.NOTE: With middle cowling	
3	6141E2	COIL, IGNITION :NO.2,3 CYLINDER SIDE	1.4
	6141F5	COIL, IGNITION(A) :NO.2,3 CYLINDER SIDE	1.6
		.NOTE: With middle cowling	
	6141A5	COIL, IGNITION :FOR 1 VEHICLE	1.7
	6141F7	COIL, IGNITION(A) :FOR 1 VEHICLE	1.9
		.NOTE: With middle cowling	
6	6141E3	CAP, NOISE SUPPRESSOR	1.2
	6141E8	CAP, NOISE SUPPRESSOR(A)	1.4
		.NOTE: With middle cowling	
	6141E4	CAP, NOISE SUPPRESSOR :FOR 1 VEHICLE	1.6
	6141F6	CAP, NOISE SUPPRESSOR(A) :FOR 1 VEHICLE	1.8
		.NOTE: With middle cowling	

Ref. No.	Part No.	Description	Reqd. QTY						Serial No.	Parts catalogue code
			CB 650RA			CBR 650RA				
			M	N	P	M	N	P		
1	30511-MKN-D51	COIL ASSY., IGNITION(#1,#4) ..	1	1	1	1	1	1		
2	30520-GFM-900	SPACER, IGNITION COIL	4	4	4	4	4	4		
3	30521-MKN-D51	COIL ASSY., IGNITION(#2,#3) ..	1	1	1	1	1	1		
4	30550-MKN-D51	STAY COMP., R. IGNITION COIL ..	1	1	1	1	1	1		
5	30560-MKN-D51	STAY COMP., L. IGNITION COIL ..	1	1	1	1	1	1		
6	30700-MBG-003	CAP ASSY., NOISE SUPPRESSOR ..	4	4	4	4	4	4		
7	92101-06020-4J	BOLT, HEX., 6X20	4	4	4	4	4	4		
8	96700-06012-07	BOLT, SOCKET, 6X12	4	4	4	4	4	4	-----	2CH,2ED,2FO,2GS,2IN,2KO,2MA,2PH,2RU,2U,2V,3ED,3FO,4ED
	96600-06012-07	4	-	-	-	-	-	-----	4FO,CH,ED,FO,GS,IN,KO,MA,PH,RU,U,V
									-----	5ED,7ED

3

F-39

FRAME BODY



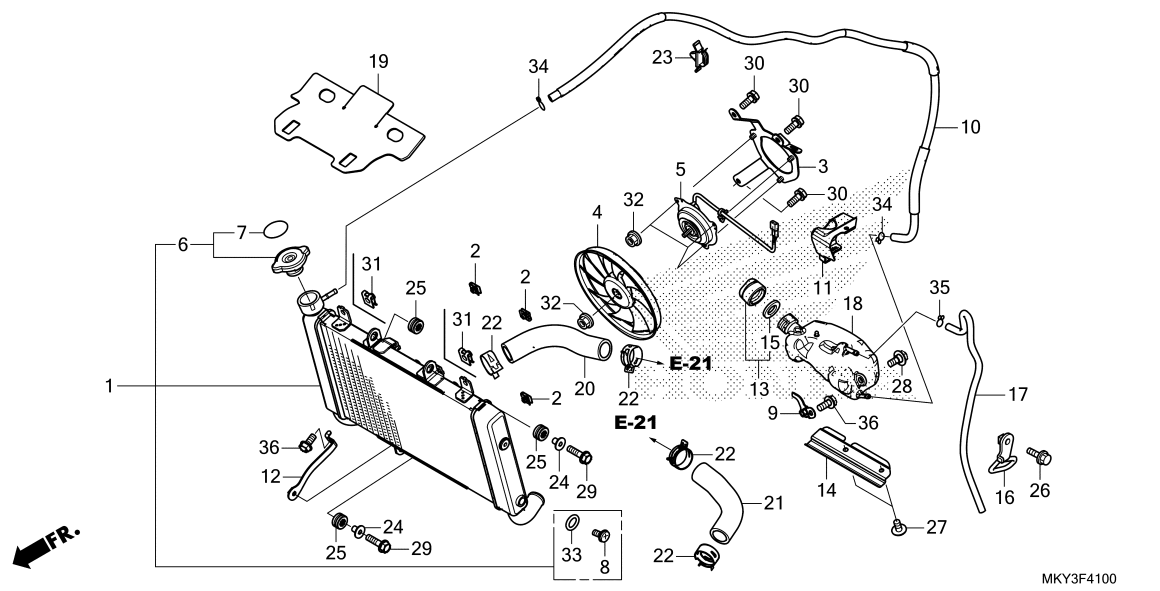
MKY3F3900

Ref. No.	L.O.N.	(Relative ref. Number) Description	F.R.T.
1	410100	BODY, FRAMEINCLUDES: Engine removal and installation	10.4

Ref. No.	Part No.	Description	Reqd. QTY						Serial No.	Parts catalogue code
			CB 650RA			CBR 650RA				
			M	N	P	M	N	P		
1	50010-MKY-D50ZA	BODY SET, FRAME *NH303M*								
		MAT AXIS GRAY METALLIC	1	1	1	-	-	-		
	50010-MKY-D10ZA	*NH303M* MAT AXIS GRAY METALLIC	-	-	-	1	1	1		
2	50211-MKN-D50ZA	BRACKET B, R. ENGINE HANGER *NH303M*								
		MAT AXIS GRAY METALLIC	1	1	1	1	1	1		
3	50212-MKN-D50ZA	BRACKET B, L. ENGINE HANGER *NH303M*								
		MAT AXIS GRAY METALLIC	1	1	1	1	1	1		
4	50351-MKN-D50	COLLAR A, L. ENGINE HANGER...	1	1	1	1	1	1		
5	50352-MKN-D50	COLLAR C, ENGINE HANGER.....	1	1	1	1	1	1		
6	52161-MKN-D50	CAP, RR. FORK PIVOT.....	2	2	2	2	2	2		
7	64341-MKN-D50	COVER, R. FRAME.....	1	1	1	1	1	1		
8	64351-MKN-D50	COVER, L. FRAME.....	1	1	1	1	1	1		
9	90105-MJE-D00	BOLT, SOCKET, 10X30.....	2	2	2	2	2	2		
10	90116-KW3-000	BOLT, FLANGE, 10X138.....	1	1	1	1	1	1		
11	90127-KYJ-900	BOLT, SOCKET, 8X22.....	4	4	4	4	4	4		
12	90167-GHB-710	BOLT, FLANGE, 12X40.....	1	1	1	1	1	1		
13	90167-GHB-760	BOLT, FLANGE, 12X65.....	1	1	1	1	1	1		
14	94050-10000	NUT, FLANGE, 10MM.....	1	1	1	1	1	1		
15	94050-12000	NUT, FLANGE, 12MM.....	1	1	1	1	1	1		
16	94101-12700	WASHER, PLAIN, 12MM.....	2	2	2	-	-	-		
17	95801-12160-08	BOLT, FLANGE, 12X160.....	1	1	1	1	1	1		

F-41

RADIATOR



Ref. No.	L.O.N.	(Relative ref. Number) Description	F.R.T.
1	1151C3	RADIATOR	0.8
	1151G7	RADIATOR(A)	1.2
		.NOTE: With middle cowling	
3	115125	SHROUD, RADIATOR	0.8
	1151G6	SHROUD, RADIATOR(A)	1.2
		.NOTE: With middle cowling	
4	1151A6	FAN, COOLING	0.8
	1151G4	FAN, COOLING(A)	1.2
		.NOTE: With middle cowling	
5	1151A7	MOTOR, FAN	0.9
	1151G5	MOTOR, FAN(A)	1.3
		.NOTE: With middle cowling	
6	1151B8	CAP, RADIATOR	0.2
	1151Q1	CAP, RADIATOR(A)	0.3
		.NOTE: With middle cowling	
10	1151E5	TUBE, RADIATOR RESERVE TANK ..	0.6
18	115110	TANK, RADIATOR RESERVE	1.0
20	1151F5	HOSE A, RADIATOR	0.7
	1151S6	HOSE A, RADIATOR(A)	1.1
		.NOTE: With middle cowling	
21	1151F6	HOSE B, RADIATOR	0.7
	1151S7	HOSE B, RADIATOR(A)	1.1
		.NOTE: With middle cowling	

MKY3F4100

Ref. No.	Part No.	Description	Reqd. QTY						Serial No.	Parts catalogue code
			CB 650RA			CBR 650RA				
			M	N	P	M	N	P		
1	19010-MKN-D51	RADIATOR COMP.(T.RAD)	1	1	1	-	-	-	-----	2ED,2FO,2MA,2RU,3ED,3FO,4ED,5ED,7ED,ED,FO,MA,RU
	19010-MKN-T51	1	1	1	-	-	-	-----	2IN,2PH,2V,IN,PH,V
	19010-MKN-K51	1	1	1	-	-	-	-----	2KO,KO
	19010-MKN-L51	1	1	1	-	-	-	-----	2U,CH,U
	19010-MKN-K11	-	-	-	1	1	-	-----	2CH,2KO,CH,KO
	19010-MKN-D11	-	-	-	1	1	-	-----	2ED,2FO,2MA,3ED,3FO,4ED,4FO,ED,FO,MA
	19010-MKN-L21	-	-	-	1	1	-	-----	2U,U
	19010-MKY-DL1	-	-	-	-	-	1	-----	2ED,2GS,2MA,2RU,3ED,3FO,4ED,4FO,ED,GS,MA,RU
	19010-MKY-K61	-	-	-	-	-	1	-----	2KO,KO
	19010-MKY-T61	-	-	-	-	-	1	-----	2PH,2V,PH,V
	19010-MKY-L71	-	-	-	-	-	1	-----	2U,U
2	19014-KEA-003	NUT, SETTING(6MM)	3	3	3	3	3	3		
3	19015-MJE-D01	SHROUD COMP.	1	1	1	1	1	1		
4	19020-MFG-D01	FAN COMP., COOLING	1	1	1	1	1	1		
5	19030-MKN-D51	MOTOR ASSY., FAN	1	1	1	1	1	1		
6	19037-MCA-G61	CAP COMP., RADIATOR(T.RAD) ...	1	1	1	1	1	1	-----	2ED,2FO,2GS,2MA,2RU,3ED,3FO,4ED,4FO,5ED,7ED,ED,FO,GS MA,RU
	19037-KVB-902	1	1	1	-	-	1	-----	2IN,2PH,2V,IN,PH,V
	19037-MCJ-K01	1	1	1	-	-	1	-----	2KO,KO
	19037-GEE-710	1	1	1	-	-	1	-----	2U,CH,U
	19037-MCJ-K01	-	-	-	1	1	-	-----	2CH,2KO,CH,KO
	19037-GEE-710	-	-	-	1	1	-	-----	2U,U
7	19046-MCA-G61	LABEL, RADIATOR CAP(T.RAD) ...	1	1	1	1	1	1	-----	2ED,2FO,2GS,2MA,2RU,3ED,3FO,4ED,4FO,5ED,7ED,ED,FO,GS MA,RU
	19046-KVB-902	1	1	1	-	-	1	-----	2IN,2PH,2V,IN,PH,V
	19055-MJF-H11	SEAL, RADIATOR CAP(T.RAD) (CHINESE)(KOREAN)	1	1	1	-	-	1	-----	2KO,KO
	19046-PAA-A00	LABEL, RADIATOR CAP	1	1	1	-	-	1	-----	2U,CH,U

F-41

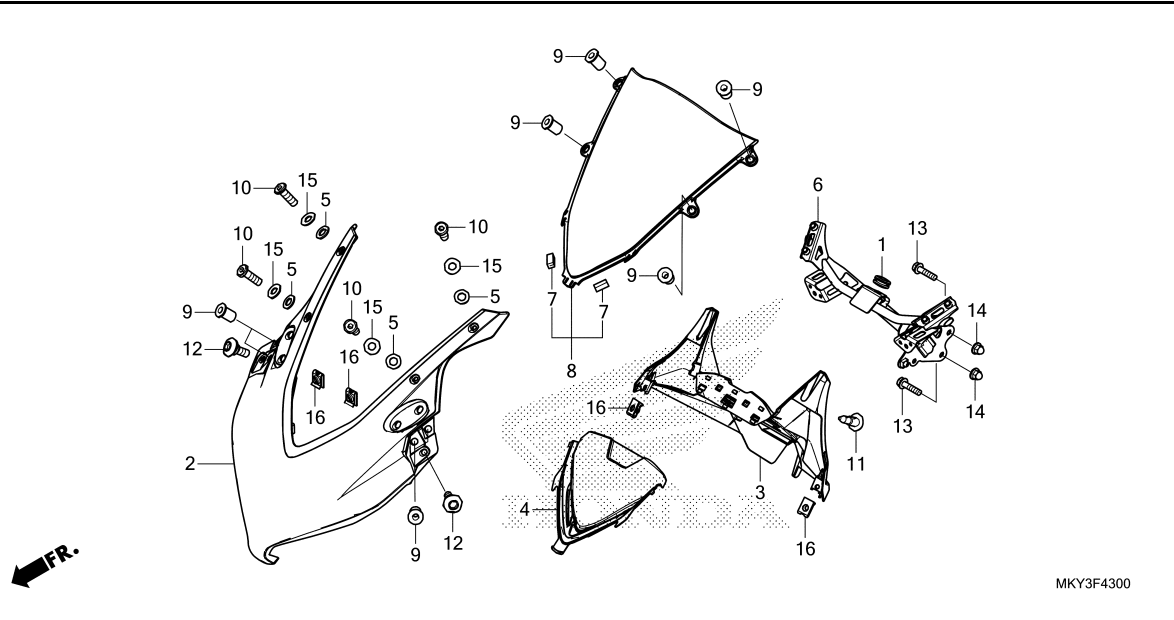
RADIATOR

Ref. No.	Part No.	Description	Reqd. QTY						Serial No.	Parts catalogue code
			CB 650RA			CBR 650RA				
			M	N	P	M	N	P		
(7)	19055-MJF-H11	SEAL, RADIATOR CAP(T,RAD) (CHINESE)(KOREAN)	-	-	-	1	1	-	----- 2CH,2KO,CH,KO	
	19046-PAA-A00	LABEL, RADIATOR CAP.....	-	-	-	1	1	-	----- 2U,U	
8	19071-MEC-003	COCK, DRAIN.....	1	1	1	1	1	1		
9	19102-MJE-D00	STAY, RESERVE TANK.....	1	1	1	1	1	1		
10	19103-MKN-D50	TUBE, RESERVE TANK.....	1	1	1	-	-	-		
	19103-MJE-D00	-	-	-	1	1	1		
11	19104-MJE-D00	COVER, RESERVE TANK.....	1	1	1	1	1	1		
12	19105-MJE-D00	STAY, RADIATOR LOWER.....	1	1	1	1	1	1		
13	19106-GET-000	CAP ASSY., RESERVE TANK.....	1	1	1	1	1	1		
14	19106-MJE-DB0	GUARD, RESERVE TANK HEAT.....	1	1	1	1	1	1		
15	19107-GET-000	PACKING, RESERVE TANK.....	1	1	1	1	1	1		
16	19107-MJE-D40	STAY, TUBE CLAMP.....	1	1	1	-	-	-		
17	19108-MJE-D00	TUBE, RESERVE TANK OVERFLOW..	1	1	1	1	1	1		
18	19110-MKY-D50	TANK COMP., RADIATOR RESERVE..	1	1	1	1	1	1		
19	19126-MKN-D50	GUARD, RADIATOR HEAT.....	1	1	1	1	1	1		
20	19501-MJE-D00	HOSE A, RADIATOR.....	1	1	1	1	1	1		
21	19502-MJE-D00	HOSE B, RADIATOR.....	1	1	1	1	1	1		
22	19511-R9G-004	CLIP, WATER HOSE.....	4	4	4	4	4	4		
23	32161-393-003	CLIP, WIRE HARNESS.....	1	1	1	1	1	1		
24	61102-KTY-D30	COLLAR, RADIATOR MOUNTING....	2	2	2	2	2	2		
25	61304-415-000	RUBBER, HEADLIGHT CASE MOUNTING	3	3	3	3	3	3		
26	90013-GHB-630	BOLT, FLANGE, 6X16.....	1	1	1	-	-	-		
27	90106-KRG-000	SCREW, PAN, 6X12.....	2	2	2	2	2	2		
28	90111-162-000	BOLT, FLANGE, 6MM.....	1	1	1	1	1	1		
29	90115-MKN-D50	BOLT, FLANGE, 6X22.....	2	2	2	2	2	2		
30	90120-GHB-601	BOLT-WASHER, 6X12.....	3	3	3	3	3	3		
31	90303-MGZ-J40	NUT, CLIP, 6MM.....	2	2	2	-	-	-		
32	90315-MK3-003	NUT, SERRATE, 5MM.....	4	4	4	4	4	4		
33	91353-MEC-003	O-RING, 9.8X1.9.....	1	1	1	1	1	1		
34	95002-02100	CLIP, TUBE(B10).....	2	2	2	2	2	2		
35	95002-50000	CLIP, TUBE(C9).....	1	1	1	1	1	1		
36	95701-06014-00	BOLT, FLANGE, 6X14.....	2	2	2	2	2	2		



F-43

UPPER COWL



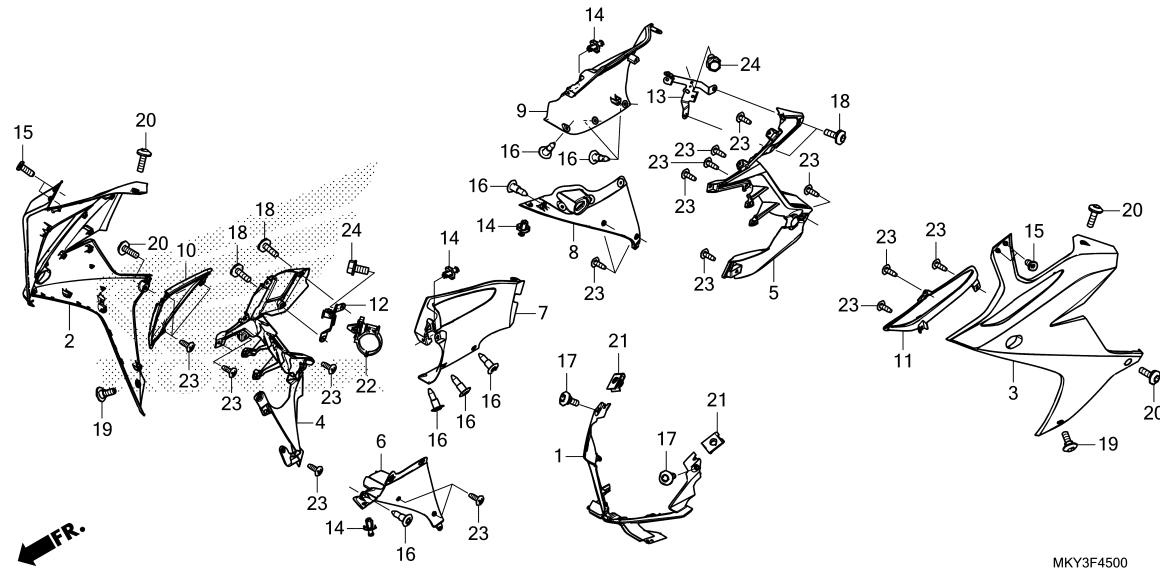
Ref. No.	L.O.N.	(Relative ref. Number) Description	F.R.T.
2	4111B4	COWL, UPPER	0.6
3	812140	PANEL, METER	0.5
4	812102	VISOR, METER	0.5
6	411105	STAY, FRONT COVER	1.0
8	4111Y7	SCREEN, WIND	0.1

MKY3F4300

Ref. No.	Part No.	Description	Reqd. QTY						Serial No.	Parts catalogue code
			CB 650RA			CBR 650RA				
			M	N	P	M	N	P		
1	11344-MB0-000	GROMMET A, RR. COVER(8X16X6.6)	-	-	-	1	1	1		
2	64111-MKN-D10ZH	COWL, FR. UPPER(WOL)	-	-	-	1	1	1	-----	----- 3ED,3FO,CH,ED,FO,GS,KO,MA,PH,RU,U,V
	64110-MKY-D30ZB	COWL SET, FR. UPPER(WL)	-	-	-	1	1	1	-----	----- 2CH,2ED,2FO,2KO,2MA,4ED
		TYPE1	-	-	-	1	-	-	-----	----- 2U
	64110-MKY-D30ZA	*TYPE2*	-	-	-	1	-	-	-----	----- 2U
	64110-MKY-D20ZB	*TYPE1*	-	-	-	-	1	-	-----	----- 2CH,2ED,2KO,2MA,2U,4ED,4FO
	64110-MKY-D30ZB	*TYPE1*	-	-	-	-	1	-	-----	----- 2FO
	64110-MKY-D20ZA	*TYPE2*	-	-	-	-	1	-	-----	----- 2U
	64110-MKY-DM0ZA	*R380*.....GRAND PRIX RED	-	-	-	-	-	1	-----	----- 2ED,2GS,2KO,2MA,2PH,2RU,2U,2V,4ED,4FO
3	64171-MKN-D10	PANEL, METER.....	-	-	-	1	1	1		
4	64172-MKN-D10	VISOR, METER.....	-	-	-	1	1	1		
5	64205-166-610	WASHER, SCREEN SETTING.....	-	-	-	4	4	4		
6	64501-MKN-D10	STAY COMP., FR. UPPER COWL...	-	-	-	1	1	1		
7	67105-MKN-D10	SPONGE, SCREEN.....	-	-	-	2	2	2		
8	67110-MKN-D10ZA	WINDSCREEN SET(WL)	-	-	-	-	-	-		
		TYPE1	-	-	-	1	1	1		
9	90111-KW3-003	NUT, COWL SETTING, 5MM.....	-	-	-	8	8	8		
10	90116-MKF-D40	BOLT, SPECIAL, 5X16.....	-	-	-	4	4	4		
11	90116-SP0-003	CLIP, BUMPER SEAL.....	-	-	-	1	1	1		
12	90124-MKN-D50	SCREW, SPECIAL, 5X14.....	-	-	-	2	2	2		
13	90164-GHB-690	BOLT, FLANGE, 8X32.....	-	-	-	2	2	2		
14	90307-MJE-D00	NUT, HEX. CAP, 8MM.....	-	-	-	2	2	2		
15	90504-964-000	WASHER, THRUST, 5MM.....	-	-	-	4	4	4		
16	90677-KAN-T00	NUT, CLIP, 5MM.....	-	-	-	4	4	4		

F-45

MIDDLE COWL



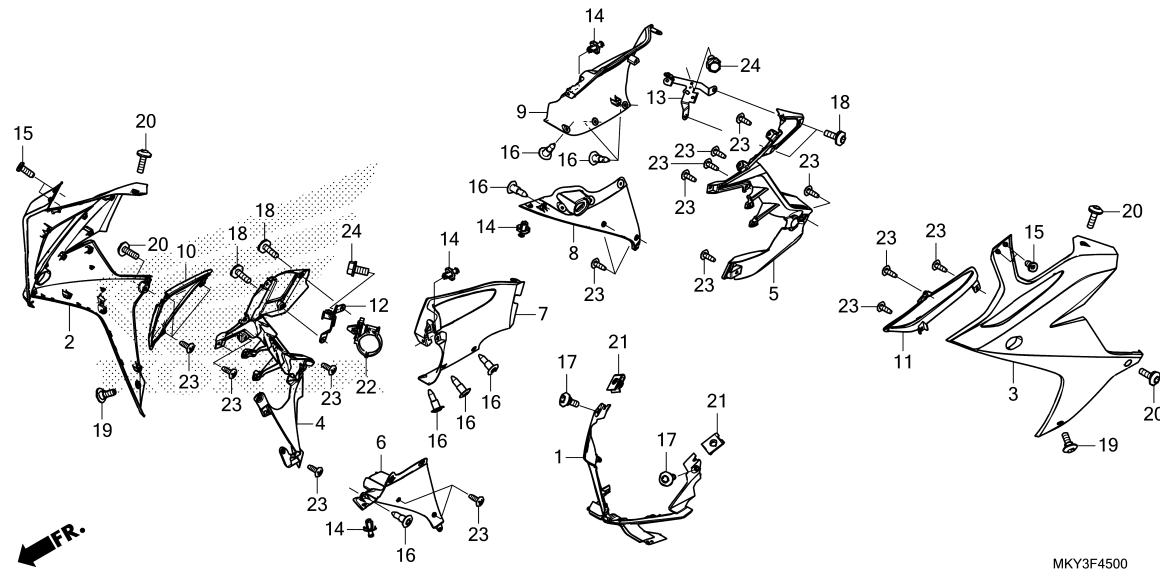
Ref. No.	L.O.N.	(Relative ref. Number) Description	F.R.T.
1	4111L3	COWL, FRONT CENTER	0.6
2	4111D4	COWL, MIDDLE :RIGHT	0.4
3	4111D3	COWL, MIDDLE :LEFT	0.4
	4111D5	COWL, MIDDLE :BOTH	0.7
4	4111G8	COWL, INNER MIDDLE :RIGHT	0.3
5	4111G9	COWL, INNER MIDDLE :LEFT	0.3
6	4111H0	COWL, INNER MIDDLE :BOTH	0.5
7	4111D9	COWL, INNER :RIGHT	0.3
8	4111BT	COWL, INNER UPPER :RIGHT	0.3
9	4111D8	COWL, INNER :LEFT	0.3
	4111E0	COWL, INNER :BOTH	0.5
10	4111BU	COWL, INNER UPPER :LEFT	0.3
	4111BV	COWL, INNER UPPER :BOTH	0.5
11	4111F1	COVER, AIR DUCT :RIGHT FRONT ..	0.2
	4111F0	COVER, AIR DUCT :LEFT FRONT ..	0.2
	4111N6	COVER, AIR DUCT :BOTH FRONT ..	0.4

Ref. No.	Part No.	Description	Reqd. QTY						Serial No.	Parts catalogue code
			CB 650RA			CBR 650RA				
			M	N	P	M	N	P		
1	64191-MKN-D10	COVER, FR. LOWER(WOL)	-	-	-	1	1	1	-----	2CH, 2ED, 2FO, 2GS, 2KO, 2MA, 2PH, 2RU, 2U, 2V, 4ED, 4FO
	64190-MKY-D10ZA	COWL SET, FR. LOWER(WL)							-----	
		TYPE1	-	-	-	1	-	-	-----	3ED, CH, ED, FO, KO, MA, U
	64190-MKY-D00ZA	*TYPE1*	-	-	-	-	1	-	-----	3ED, 3FO, CH, ED, KO, MA, U
	64190-MKY-D10ZA	*TYPE1*	-	-	-	-	1	-	-----	FO
	64190-MKY-DL0ZA	*TYPE1*	-	-	-	-	-	1	-----	3ED, 3FO, ED, GS, KO, MA, PH, RU, U, V
2	64210-MKY-D10ZB	COWL SET A, R. MIDDLE(WL)							-----	
		NH436M							-----	
		MAT GUNPOWDER BLACK METALLIC	-	-	-	1	1	-	-----	3ED, 3FO, CH, ED, FO, KO, MA, U
	64210-MKY-D30ZB	*TYPE1*	-	-	-	-	1	-	-----	2CH, 2ED, 2FO, 2KO, 2MA, 4ED
	64210-MKY-D30ZA	*TYPE2*	-	-	-	-	1	-	-----	2U
	64210-MKY-D20ZB	*TYPE1*	-	-	-	-	1	-	-----	2CH, 2ED, 2KO, 2MA, 2U, 4ED, 4FO
	64210-MKY-D30ZB	*TYPE1*	-	-	-	-	1	-	-----	2FO
	64210-MKY-D20ZA	*TYPE2*	-	-	-	-	1	-	-----	2U
	64210-MKY-DM0ZA	*R380*	-	-	-	-	-	1	-----	2ED, 2GS, 2KO, 2MA, 2PH, 2RU, 2U, 2V, 4ED, 4FO
	64210-MKY-DL0ZA	*NH436M*							-----	
		MAT GUNPOWDER BLACK METALLIC	-	-	-	-	-	1	-----	3ED, 3FO, ED, GS, KO, MA, PH, RU, U, V
3	64220-MKY-D10ZB	COWL SET A, L. MIDDLE(WL)							-----	
		NH436M							-----	
		MAT GUNPOWDER BLACK METALLIC	-	-	-	1	1	-	-----	3ED, 3FO, CH, ED, FO, KO, MA, U
	64220-MKY-D30ZB	*TYPE1*	-	-	-	1	-	-	-----	2CH, 2ED, 2FO, 2KO, 2MA, 4ED
	64220-MKY-D30ZA	*TYPE2*	-	-	-	-	1	-	-----	2U
	64220-MKY-D20ZB	*TYPE1*	-	-	-	-	1	-	-----	2CH, 2ED, 2KO, 2MA, 2U, 4ED, 4FO
	64220-MKY-D30ZB	*TYPE1*	-	-	-	-	1	-	-----	2FO
	64220-MKY-D20ZA	*TYPE2*	-	-	-	-	1	-	-----	2U
	64220-MKY-DM0ZA	*R380*	-	-	-	-	-	1	-----	2ED, 2GS, 2KO, 2MA, 2PH, 2RU, 2U, 2V, 4ED, 4FO
	64220-MKY-DL0ZA	*NH436M*							-----	
		MAT GUNPOWDER BLACK METALLIC	-	-	-	-	-	1	-----	3ED, 3FO, ED, GS, KO, MA, PH, RU, U, V
4	64232-MKN-D10	COWL B, R. MIDDLE(WOL)	-	-	-	1	1	1	-----	2CH, 2ED, 2FO, 2GS, 2KO, 2MA, 2PH, 2RU, 2U, 2V, 4ED, 4FO



F-45

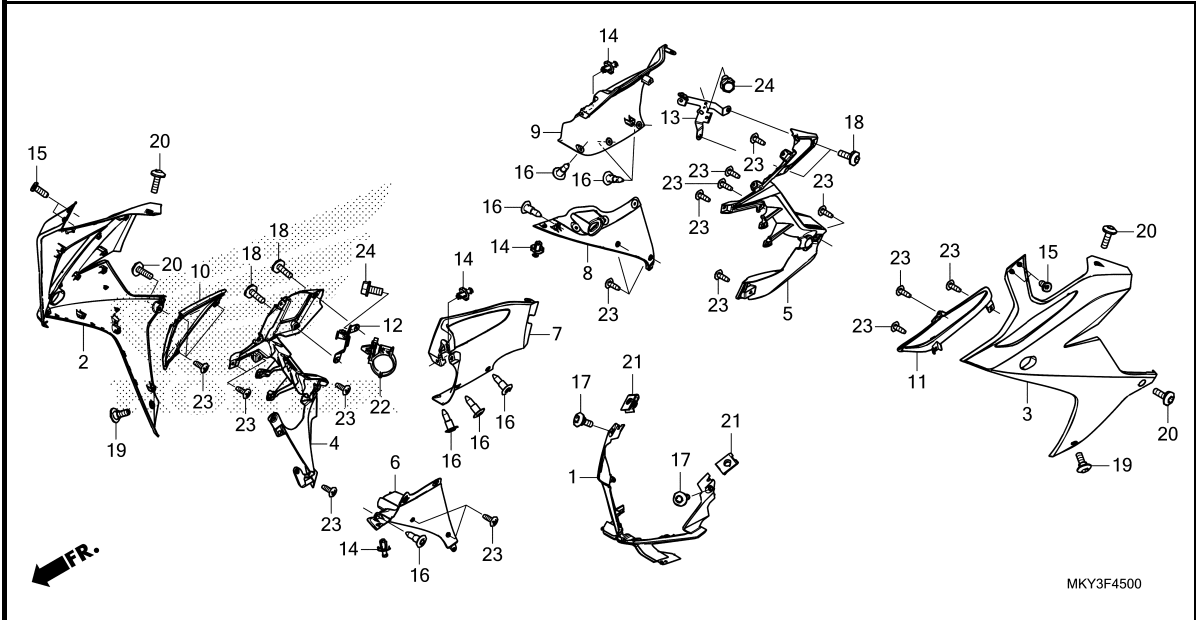
MIDDLE COWL



Ref. No.	Part No.	Description	Reqd. QTY						Serial No.	Parts catalogue code
			CB 650RA			CBR 650RA				
			M	N	P	M	N	P		
(4)	64230-MKY-D10ZA	COWL SET B, R. MIDDLE(WL)								
		TYPE1	-	-	-	1	-	-	-----	----- 3ED, CH, ED, FO, KO, MA, U
	64230-MKY-D00ZA	*TYPE1*	-	-	-	1	-	-	-----	----- 3ED, 3FO, CH, ED, KO, MA, U
	64230-MKY-D10ZA	*TYPE1*	-	-	-	1	-	-	-----	----- FO
	64230-MKY-DL0ZA	*TYPE1*	-	-	-	-	-	1	-----	----- 3ED, 3FO, ED, GS, KO, MA, PH, RU, U, V
5	64242-MKN-D10	COWL B, L. MIDDLE(WOL)	-	-	-	1	1	1	-----	----- 2CH, 2ED, 2FO, 2GS, 2KO, 2MA, 2PH, 2RU, 2U, 2V, 4ED, 4FO
	64240-MKY-D10ZA	COWL SET B, L. MIDDLE(WL)								
		TYPE1	-	-	-	1	-	-	-----	----- 3ED, CH, ED, FO, KO, MA, U
	64240-MKY-D00ZA	*TYPE1*	-	-	-	1	-	-	-----	----- 3ED, 3FO, CH, ED, KO, MA, U
	64240-MKY-D10ZA	*TYPE1*	-	-	-	-	-	1	-----	----- FO
	64240-MKY-DL0ZA	*TYPE1*	-	-	-	-	-	1	-----	----- 3ED, 3FO, ED, GS, KO, MA, PH, RU, U, V
6	64251-MKN-D10	PANEL, R. INNER MIDDLE	-	-	-	1	1	1		
7	64256-MKN-D10	PANEL, R. INNER UPPER	-	-	-	1	1	1		
8	64261-MKN-D10	PANEL, L. INNER MIDDLE	-	-	-	1	1	1		
9	64266-MKN-D10	PANEL, L. INNER UPPER	-	-	-	1	1	1		
10	64271-MKN-D10	COVER, R. AIR DUCT	-	-	-	1	1	1		
11	64281-MKN-D10	COVER, L. AIR DUCT	-	-	-	1	1	1		
12	64650-MKN-D10	STAY, R. MIDDLE COWL	-	-	-	1	1	1		
13	64660-MKN-D10	STAY, L. MIDDLE COWL	-	-	-	1	1	1		
14	90116-K0A-E11	RIVET, PUSH, 6MM	-	-	-	4	4	4		
15	90116-MKF-D40	BOLT, SPECIAL, 5X16	-	-	-	4	4	4		
16	90116-SP0-003	CLIP, BUMPER SEAL	-	-	-	8	8	8		
17	90124-MKN-D50	SCREW, SPECIAL, 5X14	-	-	-	2	2	2		
18	90133-MKN-D50	SCREW, PAN, 5X16	-	-	-	4	4	4		
19	90134-KPP-T00	SCREW, PAN, 5X14	-	-	-	2	2	2		
20	90134-MJE-D00	SCREW, PAN, 5X16	-	-	-	4	4	4		

F-45

MIDDLE COWL

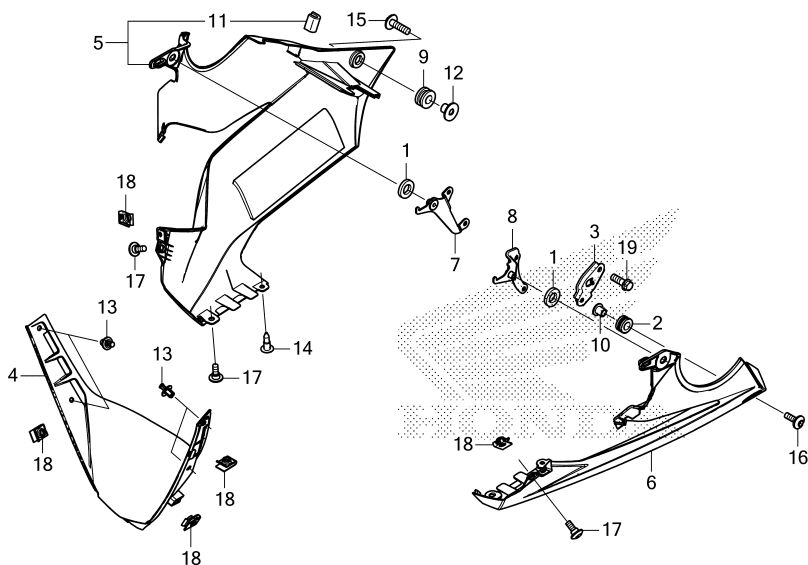


Ref. No.	Part No.	Description	Reqd. QTY						Serial No.	Parts catalogue code
			CB 650RA			CBR 650RA				
			M	N	P	M	N	P		
21	90677-KAN-T00	NUT, CLIP, 5MM	-	-	-	2	2	2		
22	91556-HL1-A00	CLIP, WATER HOSE	-	-	-	1	1	1		
23	93903-24380	SCREW, TAPPING, 4X12	-	-	-	22	22	22		
24	95701-06012-00	BOLT, FLANGE, 6X12	-	-	-	2	2	2		



F-46

UNDER COWL

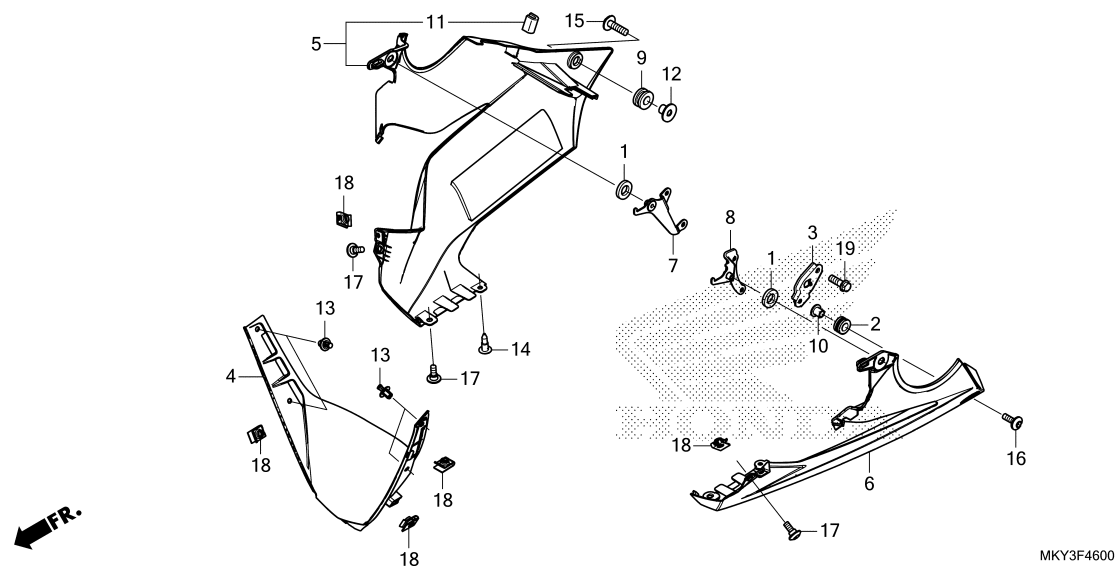


Ref. No.	L.O.N.	(Relative ref. Number) Description	F.R.T.
4	4111G7	COWL, INNER LOWER	0.2
5	4111D7	COWL, LOWER :RIGHT	0.3
6	4111D6	COWL, LOWER :LEFT	0.3
	4111H1	COWL, LOWER :BOTH	0.3

Ref. No.	Part No.	Description	Reqd. QTY						Serial No.	Parts catalogue code
			CB 650RA			CBR 650RA				
			M	N	P	M	N	P		
1	17627-467-000	RUBBER, FUEL TANK FR.	-	-	-	2	2	2		
2	19639-KEE-630	RUBBER, MOUNTING.....	-	-	-	1	1	1		
3	64123-MKN-D50	STAY, L. RR. UNDER COWL	-	-	-	1	1	1		
4	64255-MKN-D10	COWL, INNER LOWER.....	-	-	-	1	1	1		
5	64275-MKY-D10ZB	COWL ASSY., R. UNDER(WL)								
	64275-MKY-D10ZA	*TYPE1*.....	-	-	-	1	1	1	-----	3ED, 3FO, CH, ED, FO, GS, KO, MA, PH, RU, U, V
	64275-MKY-D10ZC	*TYPE2*.....	-	-	-	1	-	-	-----	2CH, 2ED, 2FO, 2KO, 2MA, 4ED
	64275-MKY-D10ZA	*TYPE3*.....	-	-	-	1	-	-	-----	2U
	64275-MKY-D10ZA	*TYPE2*.....	-	-	-	1	-	-	-----	2CH, 2ED, 2FO, 2KO, 2MA, 2U, 4ED, 4FO
	64275-MKY-T20ZA	*TYPE1*.....	-	-	-	1	-	-	-----	2U
	64275-MKY-DM0ZA	*NH436M* MAT GUNPOWDER BLACK METALLIC	-	-	-	-	-	1	-----	2ED, 2GS, 2KO, 2MA, 2PH, 2RU, 2U, 2V, 4ED, 4FO
6	64300-MKY-D10ZC	COWL SET, L. UNDER(WL)								
	64300-MKN-D10ZA	*TYPE1*.....	-	-	-	1	1	1	-----	3ED, 3FO, CH, ED, FO, GS, KO, MA, PH, RU, U, V
	64300-MKN-D10ZA	*TYPE2*.....	-	-	-	1	-	-	-----	2CH, 2ED, 2FO, 2KO, 2MA, 4ED
	64300-MKY-D10ZB	*TYPE2*.....	-	-	-	1	-	-	-----	2U
	64300-MKN-D10ZA	*TYPE2*.....	-	-	-	1	-	-	-----	2CH, 2ED, 2FO, 2KO, 2MA, 2U, 4ED, 4FO
	64300-MKY-T20ZA	*TYPE1*.....	-	-	-	1	-	-	-----	2U
	64300-MKY-DM0ZA	*NH436M* MAT GUNPOWDER BLACK METALLIC	-	-	-	-	-	1	-----	2ED, 2GS, 2KO, 2MA, 2PH, 2RU, 2U, 2V, 4ED, 4FO
7	64610-MJE-D00	STAY, R. UNDER COWL	-	-	-	1	1	1		
8	64620-MKY-D10	STAY, L. UNDER COWL	-	-	-	1	1	1		
9	80101-165-000	RUBBER, RR. FENDER CUSHION ...	-	-	-	1	1	1		
10	80101-MFJ-D00	COLLAR, RR. FENDER	-	-	-	1	1	1		
11	80119-MGE-300	RUBBER, PROTECTOR	-	-	-	1	1	1		
12	84706-163-670	COLLAR, TAILLIGHT MOUNTING ...	-	-	-	1	1	1		
13	90116-K0A-E11	RIVET, PUSH, 6MM	-	-	-	4	4	4		

F-46

UNDER COWL

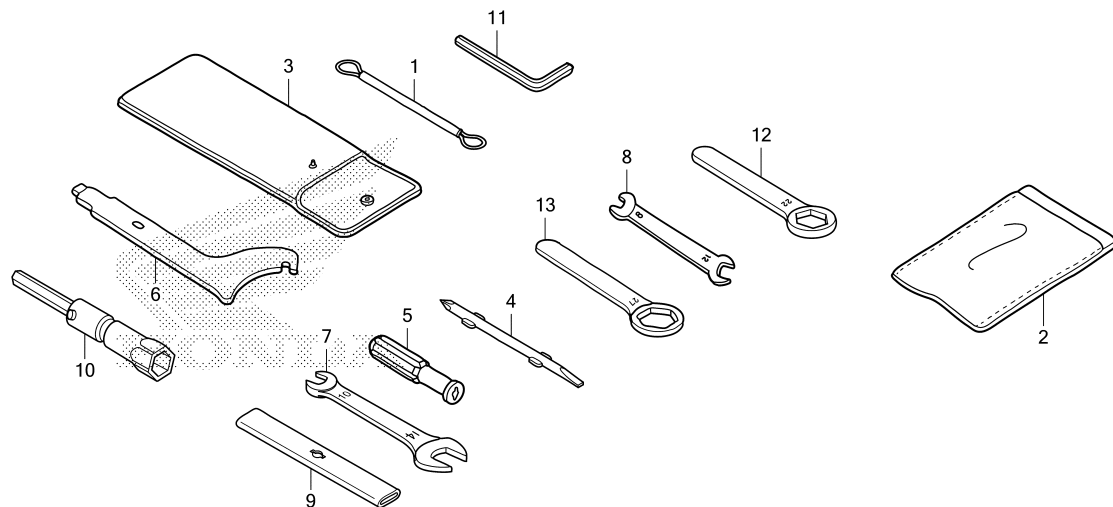


Ref. No.	Part No.	Description	Reqd. QTY						Serial No.	Parts catalogue code
			CB 650RA			CBR 650RA				
			M	N	P	M	N	P		
14	90116-SP0-003	CLIP, BUMPER SEAL	-	-	-	1	1	1		
15	90128-MKN-D50	SCREW, PAN, 6X22	-	-	-	1	1	1		
16	90133-MKN-D50	SCREW, PAN, 5X16	-	-	-	1	1	1		
17	90134-KPP-T00	SCREW, PAN, 5X14	-	-	-	3	3	3		
18	90677-KAN-T00	NUT, CLIP, 5MM	-	-	-	5	5	5		
19	96001-06018-07	BOLT, FLANGE, 6X18	-	-	-	1	1	1		



F-48

TOOL



MKY3F4800

Ref. No. L.O.N. (Relative ref. Number) Description F.R.T.

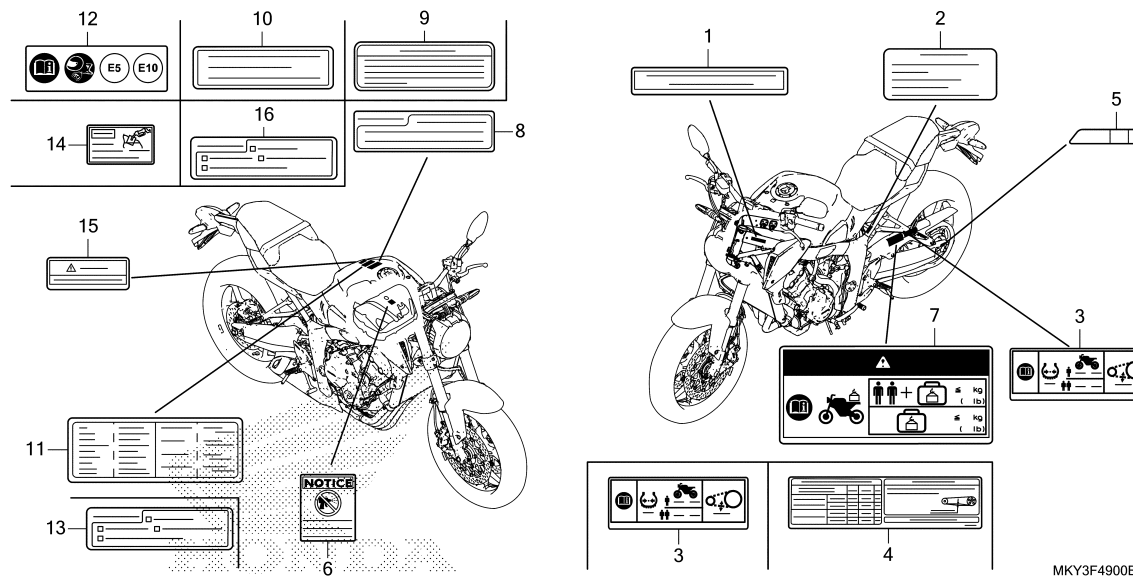
NO INFORMATION

Ref. No.	Part No.	Description	Reqd. QTY						Serial No.	Parts catalogue code
			CB 650RA			CBR 650RA				
			M	N	P	M	N	P		
1	77236-KAZ-780	WIRE, HELMET SET	1	1	1	1	1	1		
2	77251-GR1-000	BAG, SERVICE BOOK	1	1	1	1	1	1	-----	2ED, 2GS, 3ED, 4ED, 5ED, 7ED, ED, GS
	77251-MBZ-G00	1	-	-	-	-	-	-----	CH, FO, IN, KO, MA, U
			-	1	-	-	-	-	-----	3FO, FO, MA, U
			-	-	1	-	-	-	-----	2FO, 2IN, 2MA, 2PH, 2RU, 2U, 2V, 3FO, IN, MA, PH, RU, U, V
			-	-	-	1	-	-	-----	2CH, 2FO, 2KO, 2MA, 2U, CH, FO, KO, MA, U
			-	-	-	-	1	1	-----	2FO, 2MA, 2PH, 2RU, 2U, 2V, 3FO, 4FO, FO, MA, PH, RU, U, V
3	89101-MC7-000	BAG, TOOL	1	1	1	1	1	1		
4	89102-KTC-900	DRIVER, SCREW(NO.2 +/-)	1	1	1	1	1	1		
5	89103-538-000	GRIP	1	1	1	1	1	1		
6	89202-KV0-000	SPANNER, PIN	1	1	1	1	1	1		
7	89211-KWW-640	SPANNER, 10X14	1	1	1	1	1	1		
8	89211-MGZ-J00	SPANNER, 8X12	(1)	(1)	(1)	(1)	(1)	(1)		
9	89215-KSS-C00	HANDLE, EYE WRENCH	1	1	1	1	1	1		
10	89216-KYJ-900	WRENCH, PLUG(16.5)	(1)	(1)	(1)	(1)	(1)	(1)		
11	89221-MGZ-J00	WRENCH, HEX., 5MM	1	1	1	1	1	1		
12	99006-22000	WRENCH, EYE, 22MM	(1)	(1)	(1)	(1)	(1)	(1)		
13	99006-27000	WRENCH, EYE, 27MM	(1)	(1)	(1)	(1)	(1)	(1)		

3

F-49

CAUTION LABEL(CB650RA)



Ref. No. L.O.N. (Relative ref. Number) Description F.R.T.

NO INFORMATION

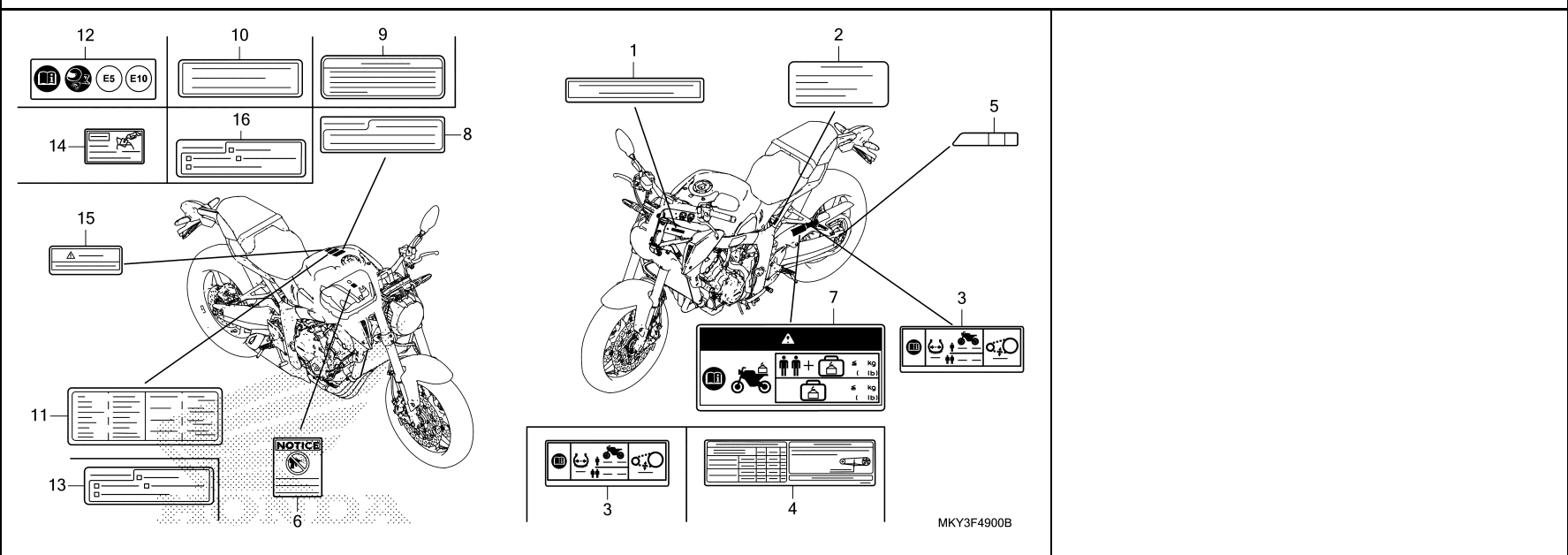
MKY3F4900B

Ref. No.	Part No.	Description	Reqd. QTY						Serial No.	Parts catalogue code
			CB 650RA			CBR 650RA				
			M	N	P	M	N	P		
1	87125-GB0-900	PLATE, NAME	1	1	-	-	-	-	-----	KO
	87125-K0F-K00	-	-	1	-	-	-	-----	2KO, KO
2	87125-KZZ-G40	LABEL, MANUFACTURER	1	1	1	-	-	-	-----	2ED, 3ED, 4ED, ED
	87125-MKA-DJ0	1	-	-	-	-	-	-----	5ED, 7ED
3	87505-MKA-DG0	LABEL, TIRE & DRIVE CHAIN (PICTOGRAPH)	1	1	1	-	-	-	-----	2ED, 2FO, 2PH, 2RU, 2U, 2V, 3ED, 3FO, 4ED, 5ED, 7ED, ED, FO, PH, RU U, V
4	87505-MKF-N40	LABEL, TIRE & DRIVE CHAIN (INDONESIAN)	1	1	1	-	-	-	-----	2IN, IN
	87505-MKA-HH0	LABEL, TIRE & DRIVE CHAIN (KOREAN)	1	1	1	-	-	-	-----	2KO, KO
	87505-MKN-M50	LABEL, TIRE & DRIVE CHAIN	1	1	1	-	-	-	-----	2MA, MA
	87505-MKA-SJ0	LABEL, TIRE & DRIVE CHAIN (CHINESE)	1	1	-	-	-	-	-----	CH
5	87508-MJJ-D31	LABEL, CHAIN ADJUSTER	1	1	1	-	-	-	-----	
6	87509-KWW-A40	LABEL, AIR CLEANER ELEMENT NOTICE(INDONESIAN)	1	1	1	-	-	-	-----	2IN, IN
	87509-KWP-900	LABEL, AIR CLEANER ELEMENT NOTICE	1	1	1	-	-	-	-----	2MA, 2PH, MA, PH
	87509-GFM-K00	LABEL, AIR CLEANER ELEMENT NOTICE(CHINESE)	1	1	-	-	-	-	-----	CH
7	87512-MKN-D50	LABEL, ACCESSORIES & LOADING	1	1	1	-	-	-	-----	2ED, 2RU, 3ED, 4ED, 5ED, 7ED, ED, RU
8	87560-KTT-950	LABEL, DRIVE CAUTION	1	1	1	-	-	-	-----	2MA, MA
9	87560-KVB-930	LABEL, DRIVE CAUTION (INDONESIAN)	1	1	1	-	-	-	-----	2IN, IN
10	87560-MBR-871	LABEL, DRIVE CAUTION(KOREAN)	1	1	1	-	-	-	-----	2KO, KO
11	87560-MGP-F01	LABEL, FRENCH TRANSLATION	(1)	(1)	(1)	-	-	-	-----	2ED, 3ED, 4ED, 5ED, 7ED, ED



F-49

CAUTION LABEL(CB650RA)



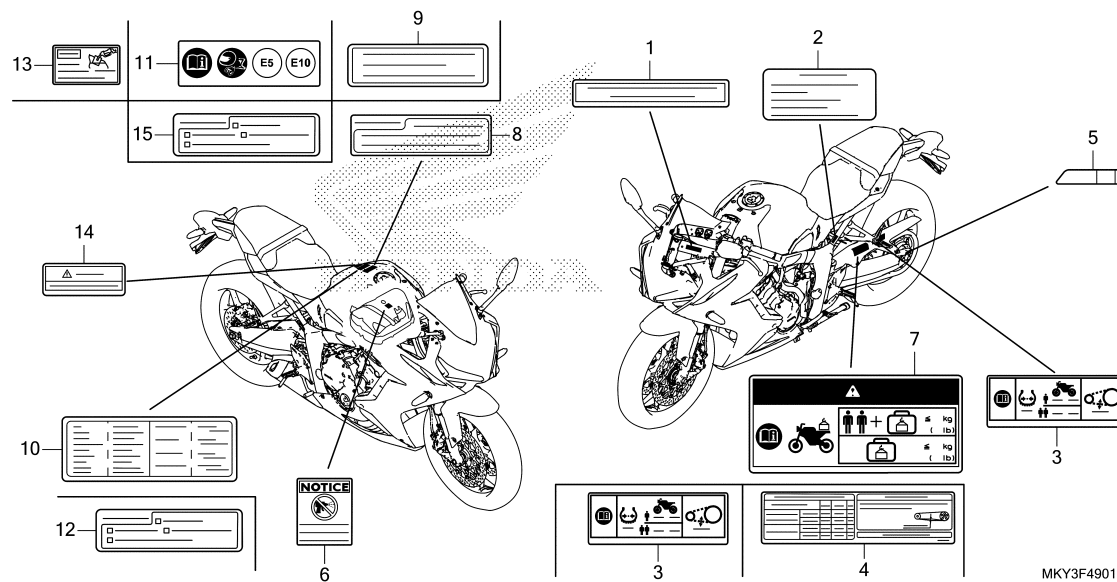
MKY3F4900B

Ref. No.	Part No.	Description	Reqd. QTY						Serial No.	Parts catalogue code
			CB 650RA			CBR 650RA				
			M	N	P	M	N	P		
12	87586-MGC-DD0	LABEL, FUEL & DRIVE (PICTOGRAPH)	1	1	1	-	-	-	-----	2ED, 2FO, 2RU, 2U, 3ED, 3FO, 4ED, 5ED, 7ED, ED, FO, RU, U
13	87560-MGE-680	LABEL, DRIVE CAUTION(CHINESE)	1	1	-	-	-	-	-----	CH
	87560-KVB-860	LABEL, DRIVE CAUTION.....	-	-	1	-	-	-	-----	2PH, PH
14	87562-MGE-680	LABEL, REFUEL CAUTION(CHINESE)	1	1	-	-	-	-	-----	CH
15	87593-MKA-S80	LABEL, BRAKE FLUID(CHINESE) ..	1	1	-	-	-	-	-----	CH
16	87560-KVB-950	LABEL, DRIVE CAUTION(VIETNAM)	-	-	1	-	-	-	-----	2V, V



F-49-1

CAUTION LABEL(CBR650RA)



Ref. No. L.O.N. (Relative ref. Number) Description F.R.T.

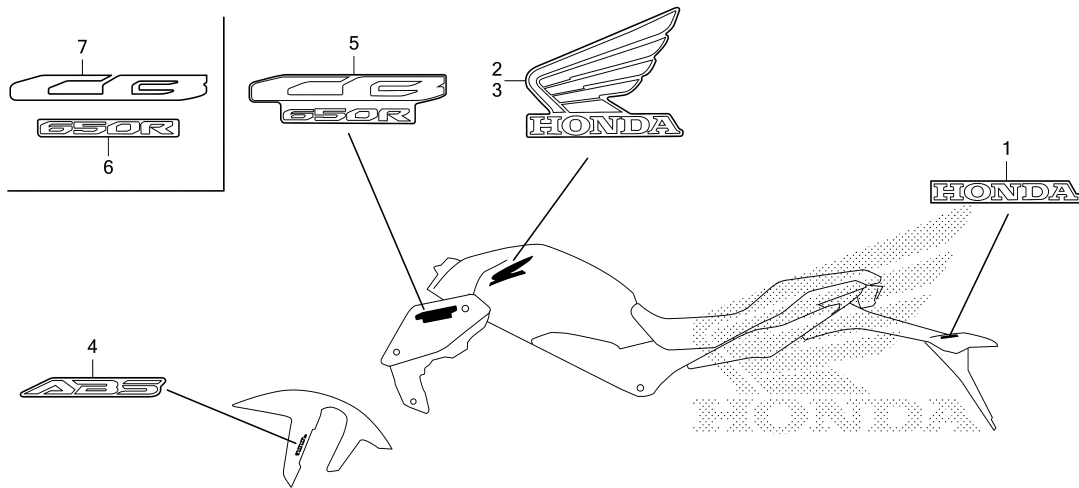
NO INFORMATION

Ref. No.	Part No.	Description	Reqd. QTY						Serial No.	Parts catalogue code
			CB 650RA			CBR 650RA				
			M	N	P	M	N	P		
1	87125-GB0-900	PLATE, NAME	-	-	-	1	1	-	-----	2KO, KO
	87125-K0F-K00	-	-	-	-	-	1	-----	2KO, KO
2	87125-KZZ-G40	LABEL, MANUFACTURER	-	-	-	1	1	1	-----	2ED, 3ED, 4ED, ED
3	87505-MKA-DG0	LABEL, TIRE & DRIVE CHAIN (PICTOGRAPH)	-	-	-	1	1	1	-----	2ED, 2FO, 2GS, 2PH, 2RU, 2U, 2V, 3ED, 3FO, 4ED, 4FO, ED, FO, GS, PH RU, U, V
4	87505-MKA-HH0	LABEL, TIRE & DRIVE CHAIN (KOREAN)	-	-	-	1	1	1	-----	2KO, KO
	87505-MKN-M50	LABEL, TIRE & DRIVE CHAIN	-	-	-	1	1	1	-----	2MA, MA
	87505-MKA-SJ0	LABEL, TIRE & DRIVE CHAIN (CHINESE)	-	-	-	1	1	-	-----	2CH, CH
5	87508-MJJ-D31	LABEL, CHAIN ADJUSTER	-	-	-	1	1	1	-----	
6	87509-KWP-900	LABEL, AIR CLEANER ELEMENT	-	-	-	1	1	1	-----	2MA, 2PH, MA, PH
	87509-GFM-K00	LABEL, AIR CLEANER ELEMENT NOTICE	-	-	-	1	1	-	-----	2CH, CH
		NOTICE(CHINESE)	-	-	-	1	1	-	-----	2ED, 2GS, 2RU, 3ED, 4ED, ED, GS, RU
7	87512-MKN-D50	LABEL, ACCESSORIES & LOADING	-	-	-	1	1	1	-----	2MA, MA
8	87560-KTT-950	LABEL, DRIVE CAUTION	-	-	-	1	1	1	-----	2KO, KO
9	87560-MBR-871	LABEL, DRIVE CAUTION(KOREAN)	-	-	-	1	1	1	-----	2ED, 3ED, 4ED, ED
10	87560-MGP-F01	LABEL, FRENCH TRANSLATION	-	-	-	(1)	(1)	(1)	-----	
11	87586-MGC-DD0	LABEL, FUEL & DRIVE (PICTOGRAPH)	-	-	-	1	1	1	-----	2ED, 2FO, 2GS, 2RU, 2U, 3ED, 3FO, 4ED, 4FO, ED, FO, GS, RU, U
12	87560-MGE-680	LABEL, DRIVE CAUTION(CHINESE)	-	-	-	1	1	-	-----	2CH, CH
	87560-KVB-860	LABEL, DRIVE CAUTION	-	-	-	-	-	1	-----	2PH, PH
13	87562-MGE-680	LABEL, REFUEL CAUTION(CHINESE)	-	-	-	1	1	-	-----	2CH, CH
14	87593-MKA-S80	LABEL, BRAKE FLUID(CHINESE)	-	-	-	1	1	-	-----	2CH, CH
15	87560-KVB-950	LABEL, DRIVE CAUTION(VIETNAM)	-	-	-	-	-	1	-----	2V, V



F-50

MARK(CB650RA)



MKY3F5000A

Ref. L.O.N. (Relative ref. Number) F.R.T.
No. Description

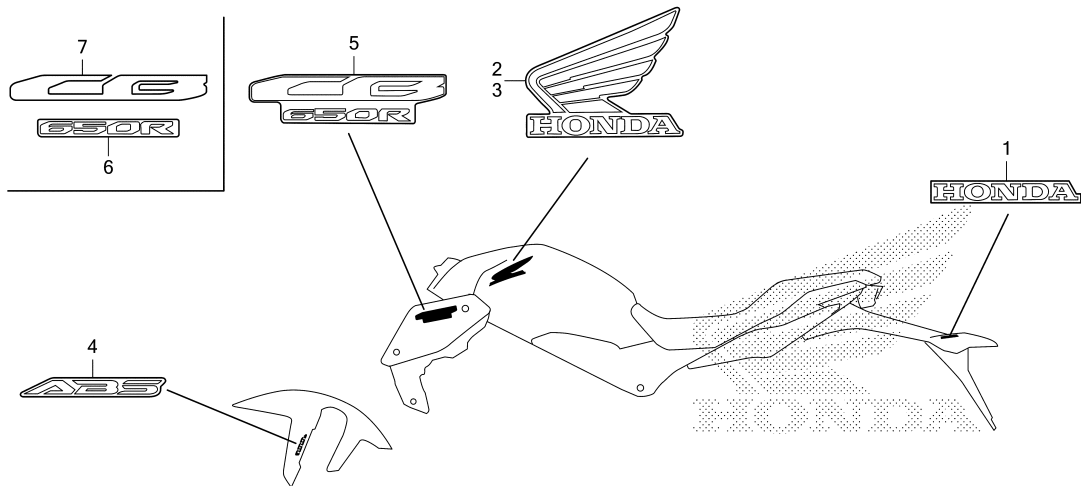
NO INFORMATION

Ref. No.	Part No.	Description	Reqd. QTY						Serial No.	Parts catalogue code
			CB 650RA			CBR 650RA				
			M	N	P	M	N	P		
1	86102-MGZ-J00ZA	MARK, HONDA(60MM) *TYPE1*	1	1	1	-	-	-		
2	86201-MKN-D50ZB	MARK, R. WING(100MM) *TYPE5*	1	1	-	-	-	-	3ED, 3FO, CH, ED, FO, IN, KO, MA, U	
	86201-MKN-D50ZF	*TYPE1*	1	1	-	-	-	-	3ED, 3FO, CH, ED, FO, IN, MA	
	86201-MKY-D50ZD	*TYPE2*	1	-	-	-	-	-	3ED, CH, ED, FO, KO, U	
	86201-MKN-D50ZD	*TYPE3*	1	-	-	-	-	-	3ED, ED, KO	
	86201-MKN-J50ZB	*TYPE4*	1	-	-	-	-	-	5ED, 7ED	
	86201-MKN-J50ZE	*TYPE1*	1	-	-	-	-	-	5ED, 7ED	
	86201-MKN-J50ZH	*TYPE6*	1	-	-	-	-	-	5ED, 7ED	
	86201-MKN-D50ZD	*TYPE3*	-	1	-	-	-	-	3ED, 3FO, ED, IN, KO, MA, U	
	86201-MKY-D40ZA	*TYPE2*	-	1	-	-	-	-	3ED, CH, ED, IN, KO	
	86201-MKY-D50ZD	*TYPE2*	-	1	-	-	-	-	FO	
	86201-MKY-DP0ZA	*TYPE1*	-	-	1	-	-	-	2ED, 2FO, 2IN, 2KO, 2MA, 2PH, 2RU, 2U, 2V, 4ED	
	86201-MKN-D50ZF	*TYPE1*	-	-	1	-	-	-	3ED, 3FO, ED, IN, MA, PH, RU, U, V	
	86201-MKY-DN0ZB	*TYPE1*	-	-	1	-	-	-	3ED, 3FO, ED, KO, PH, RU, V	
	86201-MKN-D50ZD	*TYPE3*	-	-	1	-	-	-	3ED, ED, KO, MA, PH, RU	
3	86202-MKN-D50ZB	MARK, L. WING(100MM) *TYPE5*	1	1	-	-	-	-	3ED, 3FO, CH, ED, FO, IN, KO, MA, U	
	86202-MKN-D50ZF	*TYPE1*	1	1	-	-	-	-	3ED, 3FO, CH, ED, FO, IN, MA	
	86202-MKY-D50ZD	*TYPE2*	1	-	-	-	-	-	3ED, CH, ED, FO, KO, U	
	86202-MKN-D50ZD	*TYPE3*	1	-	-	-	-	-	3ED, ED, KO	
	86202-MKN-J50ZB	*TYPE4*	1	-	-	-	-	-	5ED, 7ED	
	86202-MKN-J50ZE	*TYPE1*	1	-	-	-	-	-	5ED, 7ED	
	86202-MKN-J50ZH	*TYPE6*	1	-	-	-	-	-	5ED, 7ED	
	86202-MKN-D50ZD	*TYPE3*	-	1	-	-	-	-	3ED, 3FO, ED, IN, KO, MA, U	
	86202-MKY-D40ZA	*TYPE2*	-	1	-	-	-	-	3ED, CH, ED, IN, KO	
	86202-MKY-D50ZD	*TYPE2*	-	1	-	-	-	-	FO	
	86202-MKY-DP0ZA	*TYPE1*	-	-	1	-	-	-	2ED, 2FO, 2IN, 2KO, 2MA, 2PH, 2RU, 2U, 2V, 4ED	

3

F-50

MARK(CB650RA)

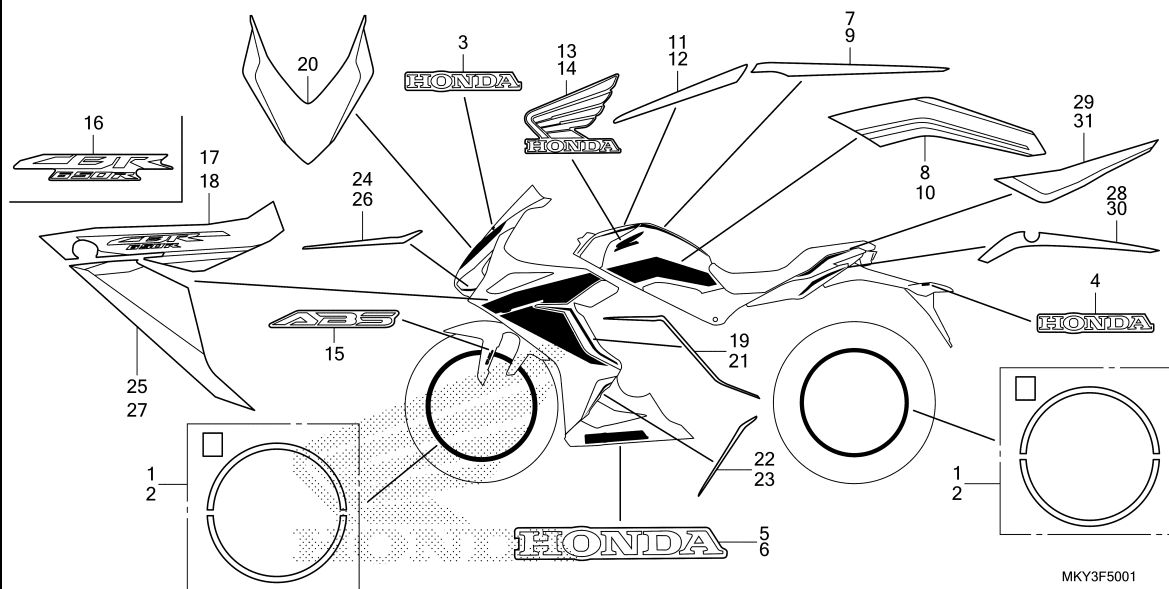


Ref. No.	Part No.	Description	Reqd. QTY						Serial No.	Parts catalogue code
			CB 650RA			CBR 650RA				
			M	N	P	M	N	P		
(3)	86202-MKN-D50ZF	MARK, L. WING(100MM)								
		TYPE1	-	-	1	-	-	-	-----	3ED,3FO,ED,IN,MA,PH,RU,U,V
	86202-MKY-DN0ZB	*TYPE1*	-	-	1	-	-	-	-----	3ED,3FO,ED,KO,PH,RU,V
	86202-MKN-D50ZD	*TYPE3*	-	-	1	-	-	-	-----	3ED,ED,KO,MA,PH,RU
4	86611-MGZ-D10ZA	MARK, ABS								
		TYPE3								
		(R. SIDE ONLY)	1	1	1	-	-	-		
	86611-MGZ-D10ZC	*TYPE1*	1	-	-	-	-	-		
		(R. SIDE ONLY)	-	1	-	-	-	-	-----	FO
5	86641-MKN-D50ZA	MARK, SHROUD A								
		TYPE1	2	2	-	-	-	-		
	86641-MKY-DN0ZA	*TYPE1*	-	-	2	-	-	-	-----	3ED,3FO,ED,IN,KO,MA,PH,RU,U,V
6	86641-MKY-DP0ZA	MARK(650R)								
		TYPE1	-	-	2	-	-	-	-----	2ED,2FO,2IN,2KO,2MA,2PH,2RU,2U,2V,4ED
7	86642-MKY-DP0ZA	EMBLEM(CB)								
		TYPE1	-	-	2	-	-	-	-----	2ED,2FO,2IN,2KO,2MA,2PH,2RU,2U,2V,4ED



F-50-1

MARK(CBR650RA)



Ref. L.O.N. (Relative ref. Number) F.R.T.
 No. Description

NO INFORMATION

Ref. No.	Part No.	Description	Reqd. QTY						Serial No.	Parts catalogue code	
			CB 650RA			CBR 650RA					
			M	N	P	M	N	P			
1	42870-MKY-D30ZB	STRIPE KIT, R. WHEEL *R380*.....GRAND PRIX RED	-	-	-	2	-	2	-----	-----	2CH, 2ED, 2FO, 2GS, 2KO, 2MA, 2PH, 2RU, 2U, 2V, 4ED, 4FO
	42870-MKY-D30ZA	*TYPE1*.....	-	-	-	-	2	-	-----	-----	2CH, 2ED, 2KO, 2MA, 2U, 4ED, 4FO
2	42880-MKY-D30ZB	STRIPE KIT, L. WHEEL *R380*.....GRAND PRIX RED	-	-	-	2	-	2	-----	-----	2CH, 2ED, 2FO, 2GS, 2KO, 2MA, 2PH, 2RU, 2U, 2V, 4ED, 4FO
	42880-MKY-D30ZA	*TYPE1*.....	-	-	-	-	2	-	-----	-----	2CH, 2ED, 2KO, 2MA, 2U, 4ED, 4FO
3	86101-MJE-D00ZA	MARK, HONDA(80MM) *TYPE1*.....	-	-	-	1	1	1	-----	-----	2FO
4	86102-MGZ-J00ZA	MARK, HONDA(60MM) *TYPE1*.....	-	-	-	1	1	1	-----	-----	2CH, 2ED, 2FO, 2KO, 2MA, 2PH, 2RU, 2U, 2V, 4ED, 4FO
5	86103-MKY-D10ZA	MARK, R.(HONDA)(320MM) *TYPE1*.....	-	-	-	1	1	1	-----	-----	3ED, 3FO, CH, ED, FO, GS, KO, MA, PH, RU, U, V
	86103-MKN-D10ZB	*TYPE2*.....	-	-	-	1	-	-	-----	-----	2CH, 2ED, 2FO, 2KO, 2MA, 4ED
	86103-MKY-D10ZB	*TYPE2*.....	-	-	-	1	-	-	-----	-----	2U
	86103-MKN-D10ZB	*TYPE2*.....	-	-	-	-	1	-	-----	-----	2CH, 2ED, 2FO, 2KO, 2MA, 2U, 4ED, 4FO
	86103-MKY-T20ZA	*TYPE1*.....	-	-	-	-	1	-	-----	-----	2U
	86103-MKY-DM0ZA	*TYPE1*.....	-	-	-	-	-	1	-----	-----	2ED, 2GS, 2KO, 2MA, 2PH, 2RU, 2U, 2V, 4ED, 4FO
6	86104-MKY-D10ZB	MARK, L.(HONDA)(300MM) *TYPE1*.....	-	-	-	1	1	1	-----	-----	3ED, 3FO, CH, ED, FO, GS, KO, MA, PH, RU, U, V
	86104-MKN-D10ZB	*TYPE2*.....	-	-	-	1	-	-	-----	-----	2CH, 2ED, 2FO, 2KO, 2MA, 4ED
	86104-MKY-D10ZA	*TYPE2*.....	-	-	-	1	-	-	-----	-----	2U
	86104-MKN-D10ZB	*TYPE2*.....	-	-	-	-	1	-	-----	-----	2CH, 2ED, 2FO, 2KO, 2MA, 2U, 4ED, 4FO
	86104-MKY-T20ZA	*TYPE1*.....	-	-	-	-	1	-	-----	-----	2U
	86104-MKY-DM0ZA	*TYPE1*.....	-	-	-	-	-	1	-----	-----	2ED, 2GS, 2KO, 2MA, 2PH, 2RU, 2U, 2V, 4ED, 4FO
7	86171-MKY-D10ZA	STRIPE, R. FUEL TANK *TYPE1*.....	-	-	-	1	-	-	-----	-----	3ED, CH, ED, FO, KO, MA, U

3

F-50-1

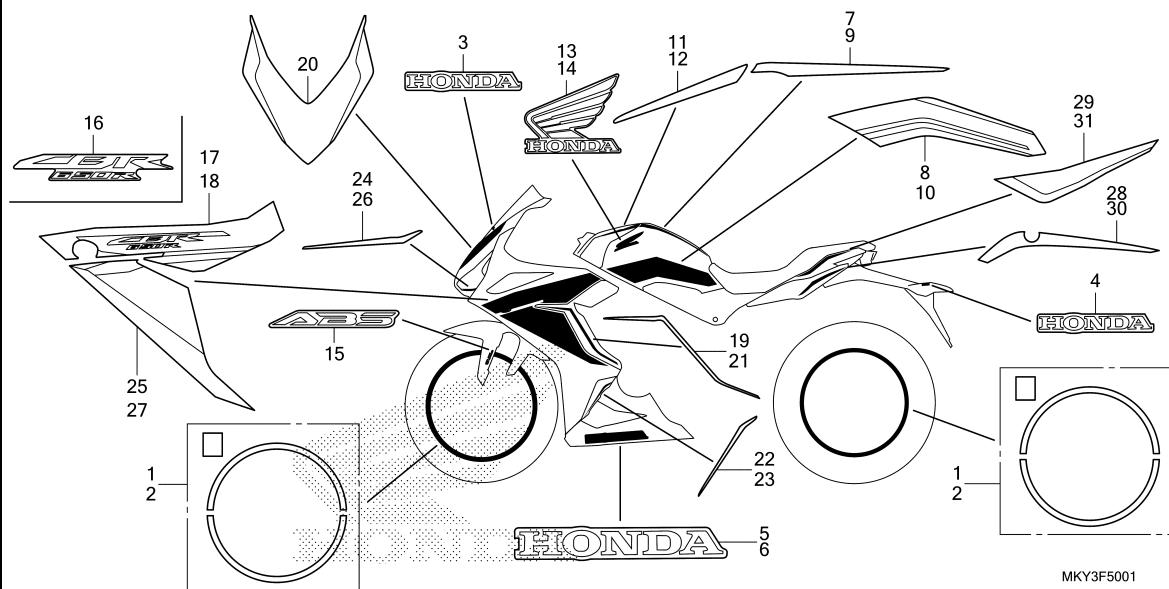
MARK(CBR650RA)

Ref. No.	Part No.	Description	Reqd. QTY						Serial No.	Parts catalogue code
			CB 650RA			CBR 650RA				
			M	N	P	M	N	P		
(7)	86171-MKY-D00ZA	STRIPE, R. FUEL TANK								
		TYPE1	-	-	-	-	1	-	3ED, 3FO, CH, ED, KO, MA, U	
	86171-MKY-D10ZA	*TYPE1*	-	-	-	-	1	-	FO	
	86171-MKY-DL0ZA	*TYPE1*	-	-	-	-	1	-	3ED, 3FO, ED, GS, KO, MA, PH, RU, U, V	
8	86171-MKY-D30ZB	STRIPE, R. FUEL TANK								
		TYPE1	-	-	-	1	-	-	2CH, 2ED, 2FO, 2KO, 2MA, 4ED	
	86171-MKY-D30ZA	*TYPE2*	-	-	-	1	-	-	2U	
	86171-MKY-D20ZB	*TYPE1*	-	-	-	-	1	-	2CH, 2ED, 2KO, 2MA, 2U, 4ED, 4FO	
	86171-MKY-D30ZB	*TYPE1*	-	-	-	-	1	-	2FO	
	86171-MKY-D20ZA	*TYPE2*	-	-	-	-	1	-	2U	
	86171-MKY-DM0ZA	*TYPE1*	-	-	-	-	1	-	2ED, 2GS, 2KO, 2MA, 2PH, 2RU, 2U, 2V, 4ED, 4FO	
9	86172-MKY-D10ZA	STRIPE, L. FUEL TANK								
		TYPE1	-	-	-	1	-	-	3ED, CH, ED, FO, KO, MA, U	
	86172-MKY-D00ZA	*TYPE1*	-	-	-	-	1	-	3ED, 3FO, CH, ED, KO, MA, U	
	86172-MKY-D10ZA	*TYPE1*	-	-	-	-	1	-	FO	
	86172-MKY-DL0ZA	*TYPE1*	-	-	-	-	1	-	3ED, 3FO, ED, GS, KO, MA, PH, RU, U, V	
10	86172-MKY-D30ZB	STRIPE, L. FUEL TANK								
		TYPE1	-	-	-	1	-	-	2CH, 2ED, 2FO, 2KO, 2MA, 4ED	
	86172-MKY-D30ZA	*TYPE2*	-	-	-	1	-	-	2U	
	86172-MKY-D20ZB	*TYPE1*	-	-	-	-	1	-	2CH, 2ED, 2KO, 2MA, 2U, 4ED, 4FO	
	86172-MKY-D30ZB	*TYPE1*	-	-	-	-	1	-	2FO	
	86172-MKY-D20ZA	*TYPE2*	-	-	-	-	1	-	2U	
	86172-MKY-DM0ZA	*TYPE1*	-	-	-	-	1	-	2ED, 2GS, 2KO, 2MA, 2PH, 2RU, 2U, 2V, 4ED, 4FO	
11	86173-MKY-D10ZA	STRIPE, R. FUEL TANK FR. COVER								
		TYPE1	-	-	-	1	-	-	3ED, CH, ED, FO, KO, MA, U	
	86173-MKY-D00ZA	*TYPE1*	-	-	-	-	1	-	3ED, 3FO, CH, ED, KO, MA, U	
	86173-MKY-D10ZA	*TYPE1*	-	-	-	-	1	-	FO	
	86173-MKY-DL0ZA	*TYPE1*	-	-	-	-	1	-	3ED, 3FO, ED, GS, KO, MA, PH, RU, U, V	
12	86174-MKY-D10ZA	STRIPE, L. FUEL TANK FR. COVER								
		TYPE1	-	-	-	1	-	-	3ED, CH, ED, FO, KO, MA, U	
	86174-MKY-D00ZA	*TYPE1*	-	-	-	-	1	-	3ED, 3FO, CH, ED, KO, MA, U	
	86174-MKY-D10ZA	*TYPE1*	-	-	-	-	1	-	FO	
	86174-MKY-DL0ZA	*TYPE1*	-	-	-	-	1	-	3ED, 3FO, ED, GS, KO, MA, PH, RU, U, V	
13	86201-MKY-D50ZE	MARK, R. WING(100MM)								
		TYPE1	-	-	-	1	1	1	3ED, 3FO, CH, ED, FO, GS, KO, MA, PH, RU, U, V	
	86201-MKN-D50ZA	*TYPE6*	-	-	-	1	-	-	2CH, 2ED, 2FO, 2KO, 2MA, 4ED	
	86201-MKY-D50ZD	*TYPE2*	-	-	-	1	-	-	2U	
	86201-MKN-D50ZA	*TYPE6*	-	-	-	-	1	-	2CH, 2ED, 2FO, 2KO, 2MA, 2U, 4ED, 4FO	
	86201-MKY-D40ZB	*TYPE1*	-	-	-	-	1	-	2U	
	86201-MKY-DN0ZA	*TYPE2*	-	-	-	-	1	-	2ED, 2GS, 2KO, 2MA, 2PH, 2RU, 2U, 2V, 4ED, 4FO	
14	86202-MKY-D50ZE	MARK, L. WING(100MM)								
		TYPE1	-	-	-	1	1	1	3ED, 3FO, CH, ED, FO, GS, KO, MA, PH, RU, U, V	
	86202-MKN-D50ZA	*TYPE6*	-	-	-	1	-	-	2CH, 2ED, 2FO, 2KO, 2MA, 4ED	
	86202-MKY-D50ZD	*TYPE2*	-	-	-	1	-	-	2U	
	86202-MKN-D50ZA	*TYPE6*	-	-	-	-	1	-	2CH, 2ED, 2FO, 2KO, 2MA, 2U, 4ED, 4FO	
	86202-MKY-D40ZB	*TYPE1*	-	-	-	-	1	-	2U	
	86202-MKY-DN0ZA	*TYPE2*	-	-	-	-	1	-	2ED, 2GS, 2KO, 2MA, 2PH, 2RU, 2U, 2V, 4ED, 4FO	
15	86611-MGZ-D10ZC	MARK, ABS								
		TYPE1	-	-	-	1	-	-	2CH, 2ED, 2FO, 2KO, 2MA, 2U, 4ED	
	(R. SIDE ONLY)		-	-	-	1	-	-		
	86611-MGZ-D10ZB	*TYPE2*	-	-	-	1	-	-	3ED, CH, ED, FO, KO, MA, U	
	(R. SIDE ONLY)		-	-	-	1	-	-		
	86611-MGZ-D10ZC	*TYPE1*	-	-	-	-	1	-	2CH, 2ED, 2KO, 2MA, 2U, 4ED, 4FO	
	(R. SIDE ONLY)		-	-	-	-	1	-	2FO	
	86611-MGZ-D10ZB	*TYPE2*	-	-	-	-	1	-	2U, 3ED, 3FO, CH, ED, KO, MA, U	
	(R. SIDE ONLY)		-	-	-	-	1	-	FO	



F-50-1

MARK(CBR650RA)



Ref. No.	Part No.	Description	Reqd. QTY						Serial No.	Parts catalogue code
			CB 650RA			CBR 650RA				
			M	N	P	M	N	P		
15)	86611-MGZ-D10ZA	MARK, ABS								
		TYPE3.....						1	-----	2ED,2GS,2KO,2MA,2PH,2RU,2U,2V,4ED,4FO
	86611-MGZ-D10ZB	(R. SIDE ONLY)	-	-	-	-	-	-	-----	2ED,2GS,2KO,2MA,2PH,2RU,2U,2V,4ED,4FO
		TYPE2.....						1	-----	3ED,3FO,ED,GS,KO,MA,PH,RU,U,V
		(R. SIDE ONLY)	-	-	-	-	-	-	-----	3ED,3FO,ED,GS,KO,MA,PH,RU,U,V
16	86641-MKY-D10ZA	MARK, MIDDLE COWL A								
		TYPE1.....				2	2	-	-----	3ED,3FO,CH,ED,FO,KO,MA,U
	86641-MKY-DL0ZA	*TYPE1*.....	-	-	-	-	-	2	-----	3ED,3FO,ED,GS,KO,MA,PH,RU,U,V
17	86641-MKY-D30ZB	STRIPE A, R. MIDDLE COWL A								
		TYPE1.....				1	-	-	-----	2CH,2ED,2FO,2KO,2MA,4ED
	86641-MKY-D30ZA	*TYPE2*.....	-	-	-	-	-	-	-----	2U
	86641-MKY-D20ZB	*TYPE1*.....	-	-	-	-	1	-	-----	2CH,2ED,2KO,2MA,2U,4ED,4FO
	86641-MKY-D30ZB	*TYPE1*.....	-	-	-	-	1	-	-----	2FO
	86641-MKY-D20ZA	*TYPE2*.....	-	-	-	-	1	-	-----	2U
	86641-MKY-DM0ZA	*TYPE1*.....	-	-	-	-	1	-	-----	2ED,2GS,2KO,2MA,2PH,2RU,2U,2V,4ED,4FO
18	86642-MKY-D30ZB	STRIPE A, L. MIDDLE COWL A								
		TYPE1.....				1	-	-	-----	2CH,2ED,2FO,2KO,2MA,4ED
	86642-MKY-D30ZA	*TYPE2*.....	-	-	-	-	1	-	-----	2U
	86642-MKY-D20ZB	*TYPE1*.....	-	-	-	-	1	-	-----	2CH,2ED,2KO,2MA,2U,4ED,4FO
	86642-MKY-D30ZB	*TYPE1*.....	-	-	-	-	1	-	-----	2FO
	86642-MKY-D20ZA	*TYPE2*.....	-	-	-	-	1	-	-----	2U
	86642-MKY-DM0ZA	*TYPE1*.....	-	-	-	-	1	-	-----	2ED,2GS,2KO,2MA,2PH,2RU,2U,2V,4ED,4FO
19	86643-MKY-D10ZA	STRIPE A, R. MIDDLE COWL B								
		TYPE1.....				1	-	-	-----	3ED,CH,ED,FO,KO,MA,U
	86643-MKY-D00ZA	*TYPE1*.....	-	-	-	-	1	-	-----	3ED,3FO,CH,ED,KO,MA,U
	86643-MKY-D10ZA	*TYPE1*.....	-	-	-	-	1	-	-----	FO
	86643-MKY-DL0ZA	*TYPE1*.....	-	-	-	-	1	-	-----	3ED,3FO,ED,GS,KO,MA,PH,RU,U,V

3

F-50-1

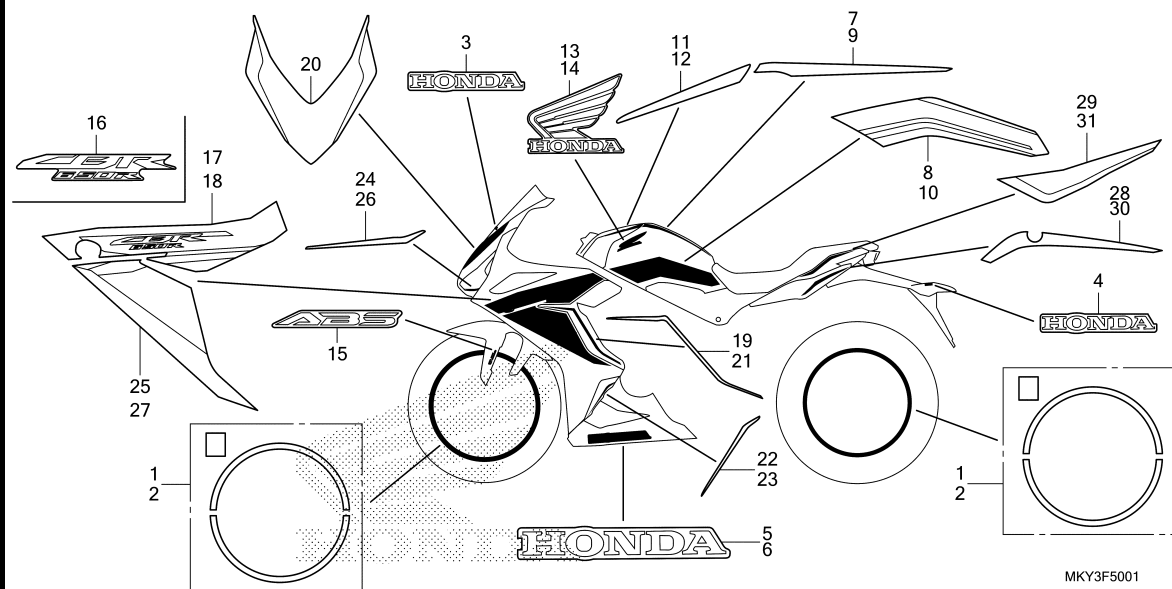
MARK(CBR650RA)

Ref. No.	Part No.	Description	Reqd. QTY						Serial No.	Parts catalogue code
			CB 650RA			CBR 650RA				
			M	N	P	M	N	P		
20	86643-MKY-D30ZB	STRIPE, FR. UPPER COWL								
		TYPE1	-	-	-	1	-	-	2CH, 2ED, 2FO, 2KO, 2MA, 4ED	
	86643-MKY-D30ZA	*TYPE2*	-	-	-	1	-	-	2U	
	86643-MKY-D20ZB	*TYPE1*	-	-	-	-	1	-	2CH, 2ED, 2KO, 2MA, 2U, 4ED, 4FO	
	86643-MKY-D30ZB	*TYPE1*	-	-	-	-	1	-	2FO	
	86643-MKY-D20ZA	*TYPE2*	-	-	-	-	1	-	2U	
	86643-MKY-DM0ZA	*TYPE1*	-	-	-	-	-	1	2ED, 2GS, 2KO, 2MA, 2PH, 2RU, 2U, 2V, 4ED, 4FO	
21	86644-MKY-D10ZA	STRIPE A, L. MIDDLE COWL B								
		TYPE1	-	-	-	1	-	-	3ED, CH, ED, FO, KO, MA, U	
	86644-MKY-D00ZA	*TYPE1*	-	-	-	-	1	-	3ED, 3FO, CH, ED, KO, MA, U	
	86644-MKY-D10ZA	*TYPE1*	-	-	-	-	1	-	FO	
	86644-MKY-DL0ZA	*TYPE1*	-	-	-	-	-	1	3ED, 3FO, ED, GS, KO, MA, PH, RU, U, V	
22	86645-MKY-D10ZA	STRIPE B, R. MIDDLE COWL B								
		TYPE1	-	-	-	1	-	-	3ED, CH, ED, FO, KO, MA, U	
	86645-MKY-D00ZA	*TYPE1*	-	-	-	-	1	-	3ED, 3FO, CH, ED, KO, MA, U	
	86645-MKY-D10ZA	*TYPE1*	-	-	-	-	1	-	FO	
	86645-MKY-DL0ZA	*TYPE1*	-	-	-	-	-	1	3ED, 3FO, ED, GS, KO, MA, PH, RU, U, V	
23	86646-MKY-D10ZA	STRIPE B, L. MIDDLE COWL B								
		TYPE1	-	-	-	1	-	-	3ED, CH, ED, FO, KO, MA, U	
	86646-MKY-D00ZA	*TYPE1*	-	-	-	-	1	-	3ED, 3FO, CH, ED, KO, MA, U	
	86646-MKY-D10ZA	*TYPE1*	-	-	-	-	1	-	FO	
	86646-MKY-DL0ZA	*TYPE1*	-	-	-	-	-	1	3ED, 3FO, ED, GS, KO, MA, PH, RU, U, V	
24	86647-MKY-D10ZA	STRIPE, R. FR. LOWER COWL								
		TYPE1	-	-	-	1	-	-	3ED, CH, ED, FO, KO, MA, U	
	86647-MKY-D00ZA	*TYPE1*	-	-	-	-	1	-	3ED, 3FO, CH, ED, KO, MA, U	
	86647-MKY-D10ZA	*TYPE1*	-	-	-	-	1	-	FO	
	86647-MKY-DL0ZA	*TYPE1*	-	-	-	-	-	1	3ED, 3FO, ED, GS, KO, MA, PH, RU, U, V	
25	86647-MKY-D30ZB	STRIPE B, R. MIDDLE COWL A								
		TYPE1	-	-	-	1	-	-	2CH, 2ED, 2FO, 2KO, 2MA, 4ED	
	86647-MKY-D30ZA	*TYPE2*	-	-	-	1	-	-	2U	
	86647-MKY-D20ZB	*TYPE1*	-	-	-	-	1	-	2CH, 2ED, 2KO, 2MA, 2U, 4ED, 4FO	
	86647-MKY-D30ZB	*TYPE1*	-	-	-	-	1	-	2FO	
	86647-MKY-D20ZA	*TYPE2*	-	-	-	-	1	-	2U	
	86647-MKY-DM0ZA	*TYPE1*	-	-	-	-	-	1	2ED, 2GS, 2KO, 2MA, 2PH, 2RU, 2U, 2V, 4ED, 4FO	
26	86648-MKY-D10ZA	STRIPE, L. FR. LOWER COWL								
		TYPE1	-	-	-	1	-	-	3ED, CH, ED, FO, KO, MA, U	
	86648-MKY-D00ZA	*TYPE1*	-	-	-	-	1	-	3ED, 3FO, CH, ED, KO, MA, U	
	86648-MKY-D10ZA	*TYPE1*	-	-	-	-	1	-	FO	
	86648-MKY-DL0ZA	*TYPE1*	-	-	-	-	-	1	3ED, 3FO, ED, GS, KO, MA, PH, RU, U, V	
27	86648-MKY-D30ZB	STRIPE B, L. MIDDLE COWL A								
		TYPE1	-	-	-	1	-	-	2CH, 2ED, 2FO, 2KO, 2MA, 4ED	
	86648-MKY-D30ZA	*TYPE2*	-	-	-	1	-	-	2U	
	86648-MKY-D20ZB	*TYPE1*	-	-	-	-	1	-	2CH, 2ED, 2KO, 2MA, 2U, 4ED, 4FO	
	86648-MKY-D30ZB	*TYPE1*	-	-	-	-	1	-	2FO	
	86648-MKY-D20ZA	*TYPE2*	-	-	-	-	1	-	2U	
	86648-MKY-DM0ZA	*TYPE1*	-	-	-	-	-	1	2ED, 2GS, 2KO, 2MA, 2PH, 2RU, 2U, 2V, 4ED, 4FO	
28	86771-MKY-D10ZA	STRIPE, R. RR. COWL A								
		TYPE1	-	-	-	1	-	-	3ED, CH, ED, FO, KO, MA, U	
	86771-MKY-D00ZA	*TYPE1*	-	-	-	-	1	-	3ED, 3FO, CH, ED, KO, MA, U	
	86771-MKY-D10ZA	*TYPE1*	-	-	-	-	1	-	FO	
	86771-MKY-DL0ZA	*TYPE1*	-	-	-	-	-	1	3ED, 3FO, ED, GS, KO, MA, PH, RU, U, V	
29	86771-MKY-D30ZB	STRIPE, R. RR. COWL A								
		TYPE1	-	-	-	1	-	-	2CH, 2ED, 2FO, 2KO, 2MA, 4ED	
	86771-MKY-D30ZA	*TYPE2*	-	-	-	1	-	-	2U	
	86771-MKY-D20ZB	*TYPE1*	-	-	-	-	1	-	2CH, 2ED, 2KO, 2MA, 2U, 4ED, 4FO	
	86771-MKY-D30ZB	*TYPE1*	-	-	-	-	1	-	2FO	



F-50-1

MARK(CBR650RA)



Ref. No.	Part No.	Description	Reqd. QTY						Serial No.	Parts catalogue code
			CB 650RA			CBR 650RA				
			M	N	P	M	N	P		
29)	86771-MKY-D20ZA	STRIPE, R. RR. COWL A								
		TYPE2	-	-	-	-	1	-	-----	2U
	86771-MKY-DM0ZA	*TYPE1*	-	-	-	-	-	1	-----	2ED, 2GS, 2KO, 2MA, 2PH, 2RU, 2U, 2V, 4ED, 4FO
30	86772-MKY-D10ZA	STRIPE, L. RR. COWL A								
		TYPE1	-	-	-	1	-	-	-----	3ED, CH, ED, FO, KO, MA, U
	86772-MKY-D00ZA	*TYPE1*	-	-	-	-	1	-	-----	3ED, 3FO, CH, ED, KO, MA, U
	86772-MKY-D10ZA	*TYPE1*	-	-	-	-	-	1	-----	FO
	86772-MKY-DL0ZA	*TYPE1*	-	-	-	-	-	1	-----	3ED, 3FO, ED, GS, KO, MA, PH, RU, U, V
31	86772-MKY-D30ZB	STRIPE, L. RR. COWL A								
		TYPE1	-	-	-	1	-	-	-----	2CH, 2ED, 2FO, 2KO, 2MA, 4ED
	86772-MKY-D30ZA	*TYPE2*	-	-	-	1	-	-	-----	2U
	86772-MKY-D20ZB	*TYPE1*	-	-	-	-	1	-	-----	2CH, 2ED, 2KO, 2MA, 2U, 4ED, 4FO
	86772-MKY-D30ZB	*TYPE1*	-	-	-	-	-	1	-----	2FO
	86772-MKY-D20ZA	*TYPE2*	-	-	-	-	-	1	-----	2U
	86772-MKY-DM0ZA	*TYPE1*	-	-	-	-	-	1	-----	2ED, 2GS, 2KO, 2MA, 2PH, 2RU, 2U, 2V, 4ED, 4FO

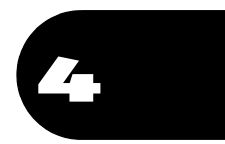
3

PART NO. INDEX

Part Number	Page	Ref.	Part Number	Page	Ref.	Part Number	Page	Ref.	Part Number	Page	Ref.	Part Number	Page	Ref.	Part Number	Page	Ref.
61000			64220-MKY-DL0ZA	199	3	67000			80101-MKY-D50	184	6	86172-MKY-D00ZA	211	9	86641-MKY-DM0ZA	212	17
61102-KTY-D30	197	24	64220-MKY-DM0ZA	199	3	67105-MKN-D10	198	7	80101-MKY-F50	184	6	86172-MKY-D10ZA	211	9	86641-MKY-DN0ZA	209	5
61103-357-000	131	3	64230-MKY-D00ZA	200	4	67110-MKN-D10ZA	198	8	80102-MKY-D50	184	7	86172-MKY-D20ZA	211	10	86641-MKY-DP0ZA	209	6
61103-MKN-D50	131	4	64230-MKY-D10ZA	200	4				80102-MKY-D50	184	7	86172-MKY-D20ZB	211	10	86642-MKY-D20ZA	212	18
61104-428-730	142	7	64230-MKY-DL0ZA	200	4				80103-MKN-D50	184	8	86172-MKY-D30ZA	211	10	86642-MKY-D20ZB	212	18
	174	12	64231-MKN-D50	131	8	77000			80103-MKY-D50	184	9	86172-MKY-D30ZB	211	10	86642-MKY-D30ZA	212	18
61104-MKN-D50	131	5	64232-MKN-D10	199	4				80103-MKY-DP0	184	9	86172-MKY-DL0ZA	211	9	86642-MKY-D30ZB	212	18
	132	4	64235-MKN-N50	131	9	77100-MKY-D51ZA	168	3	80106-MKN-D50	184	10	86172-MKY-DM0ZA	211	10	86642-MKY-DM0ZA	212	18
61105-MKN-D50	150	2	64240-MKY-D00ZA	200	5	77100-MKY-D51ZB	168	3	80111-MKY-D50	142	8	86173-MKY-D00ZA	211	11	86642-MKY-DP0ZA	209	7
61106-KW6-840	184	4	64240-MKY-D10ZA	200	5	77156-MKY-D51	168	4	80111-MKY-T50	142	8	86173-MKY-D10ZA	211	11	86643-MKY-D00ZA	212	19
61110-MKN-D50ZA	150	3	64240-MKY-DL0ZA	200	5	77205-286-000	168	5	80119-MGE-300	202	11	86173-MKY-DL0ZA	211	11	86643-MKY-D10ZA	212	19
61110-MKN-D50ZB	150	3	64241-MKN-D50ZA	131	10	77206-MJE-DB0	168	6	80120-MKY-D50	142	9	86174-MKY-D00ZA	211	12	86643-MKY-D20ZA	213	20
61110-MKN-D50ZC	150	3	64242-MKN-D10	200	5	77210-MKN-D50	168	7	80123-GN5-900	169	18	86174-MKY-D10ZA	211	12	86643-MKY-D20ZB	213	20
61110-MKN-D50ZD	150	3	64245-MKN-N50	131	11	77216-MKY-D50	168	8	80150-MKY-D50ZA	185	11	86174-MKY-DL0ZA	211	12	86643-MKY-D30ZA	213	20
61110-MKN-D50ZE	150	3	64251-MKN-D10	200	6	77218-MKY-D50	168	9	80161-MKY-D50	185	12	86201-MKN-D50ZA	211	13	86643-MKY-D30ZB	213	20
61110-MKN-D50ZF	150	3	64255-MKN-D10	202	4	77220-MJE-D00	168	10				86201-MKN-D50ZB	208	2	86643-MKY-DL0ZA	212	20
61110-MKY-D50Z	150	3	64256-MKN-D10	200	7	77226-MKY-D50	168	11	83000			86201-MKN-D50ZF	208	2	86643-MKY-DM0ZA	213	20
61110-MKY-D50ZB	150	3	64261-MKN-D10	200	8	77227-KVK-900	165	27				86201-MKN-D50ZF	208	2	86644-MKY-D00ZA	213	21
61110-MKY-D50ZC	150	3	64266-MKN-D10	200	9	77230-MKY-D00ZA	169	12	83500-MKY-D50	170	5	86201-MKN-D50ZB	208	2	86644-MKY-D10ZA	213	21
61110-MKY-D50ZD	150	3	64271-MKN-D10	200	10	77230-MKY-D10ZD	168	12	83515-KPH-700	185	13	86201-MKN-D50ZC	208	2	86644-MKY-DL0ZA	213	21
61304-415-000	168	2	64275-MKY-D10ZB	202	5				83551-300-000	165	28	86201-MKN-D50ZD	208	2	86645-MKY-D00ZA	213	22
	197	25	64275-MKY-D10ZC	202	5	77230-MKY-D20ZA	168	12	83551-GE2-000	144	25	86201-MKN-D50ZE	208	2	86645-MKY-D10ZA	213	22
61311-MKY-D50	131	6	64275-MKY-DM0ZA	202	5	77230-MKY-D20ZB	168	12				86201-MKN-D50ZF	208	2	86645-MKY-DL0ZA	213	22
61312-149-300	150	4	64275-MKY-T20ZA	202	5	77230-MKY-D20ZC	168	12	83600-MKY-D50	170	6	86201-MKN-D50ZG	208	2	86646-MKY-D00ZA	213	23
	170	3	64281-MKN-D10	200	11	77230-MKY-D30ZA	168	12				86201-MKN-D50ZH	208	2	86646-MKY-D10ZA	213	23
61312-MKN-D50ZA	133	8	64281-MKN-D10ZC	202	5	77230-MKY-DL0ZA	169	12	84000			86201-MKN-D50ZI	208	2	86646-MKY-DL0ZA	213	23
61316-KCJ-661	131	7	64300-MKN-D10ZA	202	6	77230-MKY-DM0ZA	169	12				86201-MKN-D50ZJ	208	2	86647-MKY-D00ZA	213	24
			64300-MKY-D10ZB	202	6	77231-MKY-D50ZB	168	12	84703-425-000	189	3	86201-MKN-D50ZK	208	2	86647-MKY-D10ZA	213	24
			64300-MKY-D10ZC	202	6	77231-MKY-D60ZA	168	12	84706-163-670	151	6	86201-MKN-D50ZL	208	2	86647-MKY-D20ZA	213	25
			64300-MKY-DM0ZA	202	6	77234-GN2-000	169	13				86201-MKN-D50ZM	208	2	86647-MKY-D20ZB	213	25
			64300-MKY-T20ZA	202	6	77235-MJE-D00	169	14				86201-MKN-D50ZN	208	2	86647-MKY-D30ZA	213	25
64000			64310-MKN-D50ZA	166	1	77236-KAZ-780	204	1	84720-MKN-F50	185	14	86201-MKN-D50ZO	208	3	86647-MKY-D30ZB	213	25
64110-MKY-D20ZA	198	2	64310-MKY-DM0ZA	166	1	77239-MJE-D03	169	15				86201-MKN-D50ZP	208	3	86647-MKY-DL0ZA	213	24
64110-MKY-D20ZB	198	2	64310-MKY-DN0ZA	166	1	77239-MJE-D04	169	15	86000			86201-MKN-D50ZQ	208	3	86647-MKY-DM0ZA	213	25
64110-MKY-D30ZA	198	2	64310-MKY-DP0ZB	166	1	77240-MKY-D00ZA	169	16				86201-MKN-D50ZR	208	3	86648-MKY-D00ZA	213	26
64110-MKY-D30ZB	198	2	64312-KWW-640	158	24	77240-MKY-D10ZD	169	16	86101-MJE-D00ZA	210	3	86201-MKN-D50ZS	208	3	86648-MKY-D10ZA	213	26
64110-MKY-DM0ZA	198	2	64320-MKN-D50	166	2	77240-MKY-D20ZA	169	16	86102-MGZ-J00ZA	208	1	86201-MKN-D50ZT	208	3	86648-MKY-D20ZA	213	27
64111-MKN-D10ZH	198	2	64322-MKN-D50	166	3	77240-MKY-D20ZB	169	16				86201-MKN-D50ZU	208	3	86648-MKY-D20ZB	213	27
64123-MKN-D50	202	3	64331-MKN-D50	166	4	77240-MKY-D30ZA	169	16	86103-MKN-D10ZB	210	5	86201-MKN-D50ZV	208	3	86648-MKY-D30ZA	213	27
64171-MKN-D10	198	3	64336-MKN-D50	166	5	77240-MKY-D30ZB	169	16	86103-MKY-D10ZA	210	5	86201-MKN-D50ZW	208	3	86648-MKY-D30ZB	213	27
64172-MKN-D10	198	4	64341-MKN-D50	195	7	77240-MKY-DL0ZA	169	16	86103-MKY-D10ZB	210	5	86201-MKN-D50ZX	208	3	86648-MKY-DL0ZA	213	26
64190-MKY-D00ZA	199	1	64351-MKN-D50	195	8	77240-MKY-DM0ZA	169	16	86103-MKY-DM0ZA	210	5	86201-MKN-D50ZY	208	3	86648-MKY-DM0ZA	213	27
64190-MKY-D10ZA	199	1	64382-MM5-300	174	13	77241-MKY-D50ZB	169	16	86104-MKN-D10ZB	210	6	86201-MKN-D50ZZ	208	3	86648-MKY-DL0ZA	213	26
64190-MKY-DL0ZA	199	1	64410-MKN-D50ZA	166	6	77241-MKY-D60ZA	169	16	86104-MKY-D10ZA	210	6	86201-MKN-D50Z1	208	3	86648-MKY-DM0ZA	213	27
64191-MKN-D10	199	1	64410-MKY-DM0ZA	166	6	77251-GR1-000	204	2	86104-MKY-D10ZB	210	6	86201-MKN-D50Z2	208	3	86648-MKY-DM0ZA	213	27
64205-166-610	198	5	64410-MKY-DP0ZB	166	6	77251-MBZ-G00	204	2	86104-MKY-DM0ZA	210	6	86201-MKN-D50Z3	208	3	86648-MKY-DM0ZA	213	27
64210-MKY-D10ZB	199	2	64420-MKN-D50	166	7	77300-MKY-D51ZA	169	17	86104-MKY-D10ZB	210	6	86201-MKN-D50Z4	208	3	86648-MKY-DM0ZA	213	27
64210-MKY-D20ZA	199	2	64431-MKN-D50	166	8	77300-MKY-D51ZB	169	17	86104-MKY-T20ZA	210	6	86201-MKN-D50Z5	208	3	86648-MKY-DM0ZA	213	27
64210-MKY-D20ZB	199	2	64436-MKN-D50	166	9	77327-MJS-J70	193	26	86150-KPG-902	165	29	86201-MKN-D50Z6	208	3	86648-MKY-DM0ZA	213	27
64210-MKY-D30ZA	199	2	64501-MKN-D10	198	6				86171-MKY-D00ZA	211	7	86201-MKN-D50Z7	208	3	86648-MKY-DM0ZA	213	27
64210-MKY-D30ZB	199	2	64535-MFJ-D00	193	25				86171-MKY-D10ZA	210	7	86201-MKN-D50Z8	208	3	86648-MKY-DM0ZA	213	27
64210-MKY-DL0ZA	199	2	64610-MJE-D00	202	7	80000			86171-MKY-D10ZA	210	7	86201-MKN-D50Z9	208	3	86648-MKY-DM0ZA	213	27
64210-MKY-DM0ZA	199	2	64620-MKY-D10	202	8				86171-MKY-D10ZA	210	7	86201-MKN-D50Z10	208	3	86648-MKY-DM0ZA	213	27
64216-MKY-D50	133	9	64650-MKN-D10	200	12				86171-MKY-D10ZA	210	7	86201-MKN-D50Z11	208	3	86648-MKY-DM0ZA	213	27
64217-MKY-D50	133	10	64650-MKN-D50	166	10	80101-165-000	150	5	86171-MKY-D20ZA	211	8	86201-MKN-D50Z12	208	3	86648-MKY-DM0ZA	213	27
64220-MKY-D10ZB	199	3	64660-MKN-D10	200	13				86171-MKY-D20ZB	211	8	86201-MKN-D50Z13	208	3	86648-MKY-DM0ZA	213	27
64220-MKY-D20ZA	199	3	64660-MKN-D50	166	11				86171-MKY-D20ZC	211	8	86201-MKN-D50Z14	208	3	86648-MKY-DM0ZA	213	27
64220-MKY-D20ZB	199	3				80101-MFJ-D00	144	24	86171-MKY-D30ZA	211	8	86201-MKN-D50Z15	208	3	86648-MKY-DM0ZA	213	27
64220-MKY-D30ZA	199	3							86171-MKY-D30ZB	211	8	86201-MKN-D50Z16	208	3	86648-MKY-DM0ZA	213	27
64220-MKY-D30ZB	199	3							86171-MKY-DL0ZA	211	7	86201-MKN-D50Z17	208	3	86648-MKY-DM0ZA	213	27
64220-MKY-D30ZA	199	3							86171-MKY-DL0ZA	211	7	86201-MKN-D50Z18	208	3	86648-MKY-DM0ZA	213	27
64220-MKY-D30ZB	199	3							86171-MKY-DM0ZA	211	8	86201-MKN-D50Z19	208	3	86648-MKY-DM0ZA	213	27

PART NO. INDEX

Part Number	Page	Ref.	Part Number	Page	Ref.	Part Number	Page	Ref.	Part Number	Page	Ref.	Part Number	Page	Ref.	Part Number	Page	Ref.
87000			89000			90021-MM5-000	117	15	90116-MGE-D00	188	13	90164-GHB-690	198	13	90459-438-000	124	27
87125-GB0-900	205	1	89012-KZL-930	185	15	90022-MKN-D10	125	14	90116-MGZ-J00	179	16	90165-MGZ-J00	177	11	90459-MM4-000	110	17
	207	1	89101-MC7-000	204	3	90023-MGZ-J00	107	11	90116-MJE-D00	133	12	90167-GHB-710	195	12	90463-MAT-000	124	28
87125-K0F-K00	205	1	89102-KTC-900	204	4	90023-MV9-670	125	15		179	17	90167-GHB-760	195	13	90463-ML7-000	101	18
	207	1	89103-538-000	204	5	90028-GHB-680	114	5	90116-MKF-D40	198	10	90180-MN8-006	159	21		115	13
87125-KZZ-G40	205	2	89202-KV0-000	204	6		113	2		200	15	90191-MJ0-940	144	29		129	1
	207	2	89211-KWW-640	204	6	90028-GHB-690	115	11	90116-SP0-003	144	28	90201-415-000	165	33	90464-MAT-000	124	29
87125-MKA-DJ0	205	2	89211-MGZ-J00	204	7	90028-GHB-720	108	13		147	27	90202-KCW-870	141	29	90469-759-000	124	30
87505-MKA-DG0	205	3	89215-KSS-C00	204	8		113	3		166	14	90203-MF9-710	180	7	90485-MB2-000	131	16
	207	3	89216-KYJ-900	204	9	90037-422-003	115	12		171	22	90231-MJE-D00	110	15	90501-MKN-D50	183	6
87505-MKA-HH0	205	4	89221-MGZ-J00	204	10	90041-GHB-740	123	20		198	11	90231-MM5-000	110	15	90503-KGA-900	144	32
	207	4		204	11	90048-MFL-000	149	5		200	16	90301-473-003	165	34		147	31
87505-MKA-SJ0	205	4	90000			90050-MKN-D11	119	13	90119-MJC-A00	203	14	90301-782-000	136	20	90503-MJE-D40	167	18
	207	4				90071-MB0-000	110	14		187	15		138	21	90504-964-000	198	15
87505-MKF-N40	205	4	90001-MCK-A50	135	3		116	12	90120-GHB-601	197	30	90301-KGH-901	151	8	90504-MKN-D50	133	14
87505-MKN-M50	205	4	90002-892-000	175	14	90082-HA0-000	190	6	90120-MJE-D00	165	30	90301-KWN-901	185	20	90506-425-830	148	7
	207	4	90002-MY5-850	100	6	90101-MCZ-D00	107	12	90122-MKN-D50	144	29	90301-MGZ-J00	177	12		149	7
87508-MJJ-D31	205	5	90002-PA6-003	119	8	90102-MAS-000	119	14	90123-MJP-G50	154	14	90301-MJF-A01	181	17	90508-MGS-D30	137	22
	207	5	90003-MJE-D00	107	9	90102-MKH-D00	161	16	90123-MKF-D60	147	28	90302-425-830	148	6		139	23
87509-GFM-K00	205	6	90004-GHB-600	107	9	90103-MKH-D00	133	11	90123-MKN-D50	186	14		149	6	90535-K26-900	144	33
	207	6	90004-GHB-650	107	10	90103-MJE-D00	176	10	90124-MCJ-752	136	19	90303-MGZ-J40	197	31	90543-MV9-670	100	8
87509-KWP-900	205	6	90004-MFG-D01	119	9	90103-MKN-D50	131	13		138	20	90304-KGA-900	144	30		129	1
	207	6	90005-MGZ-J00	126	11	90104-KPP-900	181	14	90124-MKN-D50	131	14		147	30	90544-439-930	101	19
87509-KWW-A40	205	6	90006-GHB-620	119	14	90104-KZZ-900	132	5		198	12	90304-KPG-901	144	31		129	1
87512-MKN-D50	205	7		126	13	90104-MJE-D40	134	4	90125-MKN-D50	200	17	90304-KPH-700	176	12	90545-300-000	141	30
	207	7	90006-GHB-670	126	13	90104-MJP-G51	154	13		133	13	90304-MCS-G01	183	5		158	30
87560-KTT-950	205	8	90006-GHB-680	117	12	90105-MA6-750	144	27		141	27	90305-MJE-D01	181	17	90554-MEL-000	124	31
	207	8	90006-GHB-710	126	14	90105-MGS-D30	156	12	90126-MKN-D10	166	15	90306-KGH-901	161	18	90557-230-000	177	13
87560-KVB-860	206	13	90007-MGZ-J00	101	14		161	17	90127-KYJ-900	147	29	90306-MCS-G01	161	19	90601-107-000	124	32
	207	12	90010-GHB-670	107	9	90105-MJE-D00	195	9	90127-MKN-D50	195	11	90306-MJE-D01	161	19	90604-MM5-000	124	33
87560-KVB-930	205	9	90010-GHB-700	101	15	90106-KRG-000	197	27		169	19	90306-MKN-D50	187	16	90606-MM5-000	124	34
87560-KVB-950	206	16	90010-MEL-000	119	10	90106-MCF-D00	181	15		185	17	90307-MJE-D00	198	14	90646-657-000	171	24
	207	15	90010-MGZ-J00	117	12	90107-MGE-000	147	25	90128-MKN-D50	170	8	90309-357-000	182	18	90650-KV6-003	141	31
87560-MBR-871	205	10	90011-KYJ-900	126	12	90107-MJE-D00	183	3		203	15	90310-MJE-D40	134	5	90651-KV6-003	119	15
	207	9	90011-MGP-000	119	11	90107-MJN-A00	144	26	90129-MGZ-J00	131	15	90315-MK3-003	197	32		165	35
87560-MGE-680	206	13	90011-MGZ-J00	101	15		147	26		193	28	90321-KT7-760	137	21		193	29
	207	12	90012-KYJ-900	126	13	90108-KPP-860	180	5	90130-KYJ-900	151	7		138	22	90651-MA5-671	141	32
87560-MGP-F01	205	11	90013-430-000	108	12	90108-MJE-D00	183	4	90130-MKN-D50	165	31	90401-KZ4-890	161	20	90651-MEW-920	182	20
	207	10	90013-GHB-610	141	21	90111-162-000	197	28	90130-MKY-DP0	165	31		182	19	90651-MGE-641	177	14
87562-MGE-680	206	14		159	19	90111-KW3-003	166	12	90131-883-000	117	16	90401-MEE-000	112	5	90658-SA0-003	176	13
	207	13	90013-GHB-620	158	25		198	9	90131-MKN-D50	187	15	90402-HA5-000	123	21	90661-K87-L51	142	11
87586-MGC-DD0	206	12	90013-GHB-630	197	26	90111-MKJ-D00	148	5	90132-KYJ-960	180	6	90402-MFJ-D01	117	17	90661-KVK-B11	142	12
	207	11	90013-GHB-660	136	17	90111-MKN-D50	141	24	90133-KYJ-960	166	16		130	1	90677-KAN-961	131	17
87593-MKA-S80	206	15		138	18		159	20	90133-KPP-T00	166	16	90405-MCA-780	114	6	90677-KAN-T00	131	17
	207	14		141	22	90112-MKN-D50	156	13	90133-MKN-D50	166	17	90405-MFA-D00	108	14		132	6
			90013-GHB-670	141	23	90113-438-000	136	18		185	18	90405-MJE-D00	108	14		142	13
			90013-GHB-710	158	26		138	19	90134-KPP-T00	200	18	90406-MJE-D00	114	6		185	21
88000			90014-KYJ-900	126	14	90113-GFP-B00	176	11		203	16	90417-360-000	125	16		198	16
88110-MJE-D01	135	1	90017-GHB-620	131	12	90113-MGZ-J00	177	10		171	23	90432-MM5-000	110	16		201	21
88110-MJE-HB1	135	1		158	27	90113-MKN-D50	141	25		200	19	90435-MEE-000	112	6		203	18
88120-MJE-D01	135	2	90017-GHB-640	119	12	90114-MA5-671	141	26		203	17	90442-397-000	107	13	90683-GR1-003	169	20
88120-MJE-HB1	135	2	90017-MA6-000	101	16	90114-MKN-D50	144	27	90134-MEL-000	153	27		129	1	90683-KJ2-003	193	30
88130-MJE-D40	134	1	90019-KYJ-900	101	17	90115-MKN-D50	197	29	90134-MJE-D00	166	17	90451-155-000	125	17	90690-MCA-003	159	22
88210-MJE-D40	134	2	90019-MGZ-J00	117	13	90116-K0A-E11	166	13		200	20	90451-KY2-000	123	22	90690-MEF-800	137	23
88210-MJE-HF0	134	2	90019-MJE-D00	117	14		200	14	90134-MKY-D50	185	19	90452-MAT-000	123	23	90690-MJE-D11	159	23
88220-MJE-D40	134	3	90021-MGZ-D02	128	22		202	13	90135-MEL-000	158	28	90454-KYJ-900	123	24	90701-HB6-010	122	12
88220-MJE-HF0	134	3	90021-MGZ-J00	117	15	90116-KW3-000	195	10	90135-MJE-D00	165	32	90455-KYJ-900	124	25	90701-MV9-670	108	15
				125	14	90116-MCS-G00	142	10	90145-MS9-612	141	28	90456-MA6-000	124	26		119	16
						90116-ME9-000	185	16		158	29	90456-MFA-D00	112	7	90852-KPP-T00	185	22



PART NO. INDEX

Part Number	Page	Ref.	Part Number	Page	Ref.	Part Number	Page	Ref.	Part Number	Page	Ref.	Part Number	Page	Ref.	Part Number	Page	Ref.
90899-422-610	169	21	91333-PNC-006	119	18	93903-25510	172	28	95005-35095-20	128	29						
				130	1	93913-25380	133	15	95005-35125-20	128	30						
91000			91351-KZ3-731	183	8				95005-35140-20	128	31						
			91351-MAC-671	183	9	94000			95005-75240-20	165	38						
91001-MKY-D11	124	35	91351-MGS-D30	161	25				95005-80410-20	165	39						
91004-MFJ-D01	124	35	91353-MEC-003	197	33	94001-06070-0S	177	15	95012-13001	185	28						
91006-MGS-D31	124	36	91354-MEJ-641	117	20	94002-08000-0S	158	33	95701-06010-00	175	18						
91008-MFJ-D01	125	18		130	1	94002-08070-0S	137	25	95701-06010-08	137	26						
91015-KT8-005	148	8	91356-425-003	126	16					139	28						
	149	8		130	1	94021-06070-0S	141	35	95701-06012-00	201	24						
91016-KT8-005	148	9	91356-KF0-003	153	31	94050-06000	131	18	95701-06012-08	167	20						
	149	9	91455-KEA-000	144	35					169	23						
91022-MJE-DB1	124	37	91456-371-770	144	35				95701-06014-00	107	14						
91026-MJE-D01	124	38	91508-MM5-000	172	25	94050-06070	193	37		109	21						
91051-MAS-003	161	21	91534-SWA-003	193	31	94050-06080	193	38		124	40						
91053-MFJ-D01	108	16	91535-STK-003	193	32	94050-10000	195	14		125	22						
91053-MKY-D51	156	14	91535-TA0-003	139	24	94050-12000	195	15		175	19						
	161	22		193	33	94101-08000	179	19		197	36						
91054-MGS-D31	182	21	91554-SM4-003	139	25	94101-08700	179	19	95701-06014-08	193	41						
91055-MGS-D31	182	22		145	36	94101-12700	195	16	95701-06016-00	118	23						
91059-KY2-711	144	34		147	33	94102-08700	179	20	95701-06018-00	131	19						
	147	32	91556-HL1-A00	201	22	94102-08800	179	20	95701-06020-07	177	17						
91071-MEC-003	183	7	91565-SEL-003	193	34	94103-04700	185	26		193	42						
91071-MR7-003	182	23	91771-MKK-H11	193	35	94103-05700	133	16	95701-06022-08	175	20						
91101-MJE-D02	112	8				94103-05800	145	38		193	43						
91102-MEE-003	110	18	92000				147	35	95701-06025-07	142	15						
91106-MCF-003	125	19				94103-06000	185	27	95701-06028-00	118	24						
91202-MR7-003	182	24	92101-06020-4J	194	7		189	6	95701-06035-00	120	19						
91203-KSP-911	125	20	92501-06060-0A	179	18	94103-06700	142	14	95701-06040-00	165	40						
91204-KK0-003	109	17	92501-06060-0G	179	18		193	39	95701-06045-00	118	25						
91207-MAL-601	124	39	92900-08022-3E	102	21	94103-06800	165	36	95701-06050-00	120	20						
91212-422-006	158	31					193	40	95701-08016-08	185	29						
91251-MKL-D81	153	28	93000			94109-12000	118	21	95701-08045-00	120	21						
91252-MAS-003	161	23					130	1	95701-10075-00	120	22						
91252-MC4-013	156	15	93404-05020-07	132	7	94201-20120	158	34	95801-06028-00	116	16						
91253-KZ3-861	182	25	93411-05025-00	187	17	94201-20150	179	21	95801-12160-08	195	17						
91253-MAE-003	161	24		188	14	94301-08140	100	9									
91258-MEE-D01	153	29	93500-04008-1H	128	25		113	4	96000								
91301-GGL-J01	128	23	93500-05022-0G	137	24		118	22									
91301-ML7-003	109	18		139	26	94301-08200	102	22	96001-06018-07	203	19						
	130	1	93600-04012-1G	141	33	94301-12160	102	23	96211-08000	179	22						
91301-PC0-003	117	18	93891-05018-08	145	37	94510-14000	125	21	96220-40080	125	23						
	130	1		147	34	94511-15000	177	16	96600-06012-07	194	8						
91301-PLC-000	128	24	93892-05012-08	116	15	94520-63150	109	20	96600-06016-00	114	7						
91302-MB0-013	115	14	93892-05012-18	128	26	94591-45000	187	19	96600-06025-00	169	24						
	130	1	93893-04012-17	141	34		188	16	96600-06025-08	169	24						
91305-KC1-850	119	17		158	32				96600-06032-00	114	8						
	130	1	93901-24380	132	11	95000				193	44						
91307-KF0-003	109	19	93901-25420	172	26				96600-08020-10	125	24						
	130	1	93903-24320	167	19	95001-45320-40	175	15	96600-08028-08	145	39						
91307-PLC-004	102	20		169	22	95002-02100	197	34	96700-06012-07	194	8						
	129	1	93903-24380	185	23	95002-02130	165	37									
91309-425-003	116	13		187	18	95002-02139	128	27	99000								
	130	1		188	15	95002-40800-08	175	16									
91313-MB0-003	117	19		193	36	95002-41000-08	175	17	99006-22000	204	12						
	130	1		201	23	95002-41050-08	101	9	99006-27000	204	13						
91315-MB0-013	126	15	93903-24480	185	24		102	24									
	130	1		189	4	95002-50000	197	35									
91320-MB0-000	116	14	93903-25480	172	27	95005-35055-20	128	28									

PART NAME INDEX

Part name	Page	Ref.	Part name	Page	Ref.	Part name	Page	Ref.
[A]			BODY ASSY., THROTTLE	127	5	BOLT, FLANGE, 6X18	119	12
ARM COMP., GEAR CHANGE	177	2			6		131	19
ARM, L. MAIN STEP	178	8	BODY SET, FRAME	195	1	BOLT, FLANGE, 6X20	100	7
ARM, L. PILLION STEP	179	12	BOLT-WASHER, 4X8	119	8		177	17
ARM, R. MAIN STEP	178	7	BOLT-WASHER, 5X20	132	7		193	42
ARM, R. PILLION STEP	179	11	BOLT-WASHER, 5X25	187	17	BOLT, FLANGE, 6X22	126	12
AXLE, FR. WHEEL	156	3		188	14		136	17
AXLE, RR. WHEEL	160	3	BOLT-WASHER, 6X12	117	15		138	18
[B]				125	14		141	22
BAG, SERVICE BOOK	204	2		197	30		175	20
BAG, TOOL	204	3	BOLT-WASHER, 6X22	132	5		193	43
BALL, STEEL, #8	179	22	BOLT-WASHER, 6X25	107	11		197	29
BAND A, INSULATOR	101	6	BOLT-WASHER, 9X100	101	14	BOLT, FLANGE, 6X23.5	141	25
BAND B2, BATTERY	185	28	BOLT COMP., FR. FORK	153	15	BOLT, FLANGE, 6X25	107	9
BAND B, INSULATOR	101	7	BOLT, 8X45	153	27		113	2
BAND, TOOL	169	18	BOLT, ADAPTER, 10MM	134	4		115	11
	185	15	BOLT, CHANGE PIVOT	177	10		126	13
	119	15	BOLT, CONNECTING ROD	121	6		141	23
BAND, WIRE, 165MM	119	15	BOLT, DISK, 8X25	156	12	BOLT, FLANGE, 6X28	142	15
	165	35		161	17		108	13
	193	29	BOLT, DRAIN PLUG, 12X15	117	16		116	16
	141	31	BOLT, FLANGE KNOCK, 7X10.5 ..	107	12		117	12
BAND, WIRE, 95MM	141	31	BOLT, FLANGE, 10MM	114	5		118	24
BAR COMP., SIDE STAND	180	2	BOLT, FLANGE, 10X138	195	10	BOLT, FLANGE, 6X30	110	14
BASE COMP., CONTACT	143	7	BOLT, FLANGE, 10X40	149	5	BOLT, FLANGE, 6X35	101	15
	146	7	BOLT, FLANGE, 10X57	154	14		113	3
BATTERY	190	1	BOLT, FLANGE, 10X75	120	22		115	12
BEARING A, CONNECTING ROD	121	7	BOLT, FLANGE, 12X160	195	17		120	19
BEARING A, CRANKSHAFT	121	10	BOLT, FLANGE, 12X40	195	12	BOLT, FLANGE, 6X39.5	101	17
BEARING B, CONNECTING ROD	121	7	BOLT, FLANGE, 12X65	195	13	BOLT, FLANGE, 6X40	126	14
BEARING B, CRANKSHAFT	121	10	BOLT, FLANGE, 5X10	175	14		158	26
BEARING B, NEEDLE, 35X41X23.8 ..	110	18	BOLT, FLANGE, 6MM	185	16		165	40
BEARING C, CONNECTING ROD	121	7		197	28	BOLT, FLANGE, 6X45	118	25
BEARING C, CRANKSHAFT	121	10	BOLT, FLANGE, 6X10	107	10	BOLT, FLANGE, 6X45.5	101	16
BEARING D, CONNECTING ROD	121	7		137	26	BOLT, FLANGE, 6X50	120	20
BEARING D, CRANKSHAFT	121	10		139	28	BOLT, FLANGE, 8X16	185	29
BEARING E, CONNECTING ROD	121	7		175	18	BOLT, FLANGE, 8X32	198	13
BEARING E, CRANKSHAFT	121	10	BOLT, FLANGE, 6X12	141	21	BOLT, FLANGE, 8X35	147	28
BEARING, BALL RADIAL, 6305	124	35		159	19	BOLT, FLANGE, 8X40	147	25
BEARING, BALL, 6305	124	35		167	20	BOLT, FLANGE, 8X45	120	21
BEARING, HEAD PIPE UNDER	148	9		169	23	BOLT, FLANGE, 8X49	159	21
	149	9		201	24	BOLT, FLANGE, 8X55	176	10
BEARING, HEAD PIPE UPPER	148	8	BOLT, FLANGE, 6X14	107	14	BOLT, FR. AXLE	156	13
	149	8		109	21	BOLT, HANDLE LEVER PIVOT	141	26
	182	23		119	14	BOLT, HEAD COVER	100	6
BEARING, NEEDLE	108	16		124	40	BOLT, HEX. CAP, 6X60	179	18
BEARING, NEEDLE, 12X16X10	125	19		125	22	BOLT, HEX., 6X20	194	7
BEARING, NEEDLE, 14X22X16	124	37		126	11	BOLT, HEX., 8X50	181	15
BEARING, NEEDLE, 20MM	124	38		131	12	BOLT, HINGE, 10X102.4	165	32
BEARING, NEEDLE, 24X28X10	112	8		158	25	BOLT, L. STEERING HANDLE LEVER		
BEARING, NEEDLE, 30X35X20	182	22			27	PIVOT	136	18
BEARING, NEEDLE, 30X37X20	182	21			19		138	19
BEARING, RADIAL BALL, 20X37X9 ..	124	36			41	BOLT, OIL COOLER	117	14
BEARING, RADIAL BALL, 6204U	156	14	BOLT, FLANGE, 6X16	118	23	BOLT, OIL, 10X22	141	28
BEARING, RADIAL BALL, 6204UU	161	22		118	23		158	29
	161	21		141	24	BOLT, ONE-WAY, 8MM	144	26
BEARING, RADIAL BALL, 63/22	125	18		159	20		147	26
BEARING, SPECIAL BALL, 6500	183	7		197	26	BOLT, PIN	159	16



PART NAME INDEX

Part name	Page	Ref.	Part name	Page	Ref.	Part name	Page	Ref.
BOLT, SEALING, 22MM	119	13	BRUSH SET B, CARBON	116	3	CIRCLIP, EXTERNAL, 15MM	177	16
BOLT, SETTING	116	6	BULB	132	10	CIRCLIP, INTERNAL	153	32
BOLT, SHOULDER	128	22	BUSH, GUIDE	152	7		182	20
BOLT, SIDE STAND PIVOT	180	5	BUSH, SLIDER	152	8	CIRCLIP, INTERNAL, 63MM	109	20
BOLT, SOCKET KNOCK, 6MM	119	11				CLAMPER	132	9
BOLT, SOCKET SPECIAL, 6X25	131	13	[C]			CLAMPER A, SENSOR CORD	159	18
BOLT, SOCKET, 10X30	195	9	CABLE COMP. A, THROTTLE	136	1	CLAMPER B, SENSOR CORD	140	2
BOLT, SOCKET, 10X51	183	3				CLAMPER C, R.	146	11
BOLT, SOCKET, 10X70	183	4	CABLE COMP. B, THROTTLE	136	2	CLAMPER, FR. BRAKE HOSE	140	10
BOLT, SOCKET, 4X25	165	30				CLAMP, ABS CORD	140	3
BOLT, SOCKET, 5X20	188	13	CABLE COMP., CLUTCH	138	2			4
BOLT, SOCKET, 6X12	194	8				CLAMP, A.C. GENERATOR CORD	114	1
BOLT, SOCKET, 6X16	114	7	CABLE COMP., SEAT LOCK	136	3	CLAMP, BRAKE PIPE	142	11
BOLT, SOCKET, 6X20	135	3	CABLE, BATTERY EARTH	168	4	CLAMP, HARNESS	137	23
	158	28	CABLE, STARTER MOTOR	190	3	CLAMP, MASTER CYLINDER OIL		
BOLT, SOCKET, 6X22	186	14				HOSE	157	13
BOLT, SOCKET, 6X25	169	24	CALIPER SUB ASSY., L. FR.	190	2	CLAMP, PULSE GENERATOR CORD	108	3
BOLT, SOCKET, 6X32	114	8	CALIPER SUB ASSY., RR. BRAKE ..	154	10	CLAMP, TUBE	101	9
	193	44	CALIPER SUB ASSY., R. FR.	159	10		102	24
BOLT, SOCKET, 8X12	119	10	CAMSHAFT COMP., EX.	154	11		175	16
BOLT, SOCKET, 8X18	133	12	CAMSHAFT COMP., IN.	104	3			17
	179	17	CANISTER COMP.	104	2	CLAMP, WATER HOSE	101	9
BOLT, SOCKET, 8X20	125	24	CAP ASSY., NOISE SUPPRESSOR ..	174	5	CLIP B, TUBE	173	1
BOLT, SOCKET, 8X22	179	16	CAP ASSY., RESERVE TANK	194	6	CLIP, AIR HOSE, 16MM	171	24
	195	11	CAP COMP, FUEL FILLER	197	13	CLIP, BODY COVER	169	20
BOLT, SOCKET, 8X28	144	27	CAP COMP., FUEL FILLER	164	24	CLIP, BRAKE PIPE	142	12
	145	39		164	24	CLIP, BUMPER SEAL	144	28
BOLT, SOCKET, 8X35	148	5	CAP COMP., RADIATOR	165	24		147	27
BOLT, SPECIAL, 10MM	123	20	CAP, 45MM	196	6		166	14
BOLT, SPECIAL, 10X25	108	12	CAP, BLEEDER	108	2		171	22
BOLT, SPECIAL, 5X16	198	10		154	5		198	11
	200	15	CAP, DUMMY	159	13		200	16
BOLT, SPECIAL, 5X23	187	15	CAP, MASTER CYLINDER	193	35		203	14
BOLT, SPECIAL, 6X16	180	6		140	14	CLIP, CABLE, 10MM	159	23
BOLT, STUD, 12X25	161	16	CAP, RR. FORK PIVOT	158	18	CLIP, CABLE, 14MM	159	22
BOLT, STUD, 8X22	102	21	CAP, RR. SWINGARM	195	6	CLIP, COUPLER	139	24
BOLT, SWINGARM PIVOT	181	6	CAP, SOCKET BOLT	181	10		193	31
BOLT, TERMINAL	116	7	CAP, SOCKET BOLT, 8MM	144	35			32
BOLT, TIE ROD	177	11	CAP, SOCKET BOLT, 8MM	144	35			33
BOLT, TORX, 8X38	154	13	CAP, STEERING STEM NUT	144	23			34
BOLT, UBS, 8X98	119	9		147	22	CLIP, PISTON PIN, 16MM	121	4
BOLT, WIRE ADJUSTING	136	16	CARTRIDGE, OIL FILTER	117	10	CLIP, SUB TANK HOSE	173	2
	138	17	CASE ASSY., UNDER	133	3	CLIP, SWITCH COVER	177	14
BOOT B	159	17	CASE ASSY., UPPER	133	2	CLIP, TUBE	128	27
BOOT COMP.	140	11	CASE COMP., ROD GUIDE	153	18		165	37
	157	9	CASE COMP., THERMOSTAT	126	5		197	34
BOOT, HEADLIGHT BRACKET	150	4	CASE SUB ASSY., AIR CLEANER ..	171	7	CLIP, WATER HOSE	115	9
	170	3	CASE, DRIVE CHAIN	181	2			35
BOOT, SLEEVE	159	9	CENTER COMP., SHIFT DRUM	125	6			10
BOSS, OIL FILTER	117	13	CENTER, CLUTCH	110	4			10
BOX, L. AIR DUCT	166	9	CHAIN KIT, DRIVE	181	1			10
BOX, R. AIR DUCT	166	5	CHAIN, CAM	107	2			22
BRACKET B, L. ENGINE HANGER ..	195	3	CHAIN, DRIVE	181	3	CLIP, WIRE HARNESS	176	13
BRACKET B, R. ENGINE HANGER ..	195	2	CHAIN, OIL PUMP	117	5		193	30
BRACKET COMP., RR. BRAKE	159	7	CHARGER UNIT, USB	193	21		197	23
BRACKET, NUMBER PLATE	185	14	CIRCLIP	141	32	CLIP, WIRE, 4X50	187	19
BRIDGE, FORK TOP	144	22		158	21		188	16
	147	21	CIRCLIP, 25MM	124	32	CLUTCH, ONE WAY	108	10
BRUSH SET A, CARBON	116	2	CIRCLIP, 30MM	124	33	COCK, DRAIN	197	8
			CIRCLIP, EXTERNAL, 14MM	125	21			

PART NAME INDEX

Part name	Page	Ref.	Part name	Page	Ref.	Part name	Page	Ref.
COIL ASSY., IGNITION	194	1	COVER ASSY., R. SIDE	170	5	[D]		
		3	COVER COMP., L. RR.	115	1	DAMPER SET, WHEEL	160	1
COLLAR	131	5	COVER COMP., R. CRANKCASE ...	108	1	DIAPHRAGM	140	17
	132	4	COVER COMP., WATER PUMP	115	4		158	19
	163	11	COVER SET, RR. FENDER STAY				156	11
COLLAR A, L. ENGINE HANGER	195	4	UPPER	185	11	DISK COMP., L. FR. BRAKE	156	11
COLLAR B, RR. WHEEL DISTANCE ..	160	9	COVER SUB ASSY., AIR CLEANER ..	171	11	DISK COMP., R. FR. BRAKE	156	10
COLLAR COMP. B, SPRING	153	23	COVER, ABS MODULATOR	142	9	DISK SET, CLUTCH	110	6
COLLAR COMP., R. SPRING	152	3	COVER, A.C. GENERATOR	113	1	DISK, RR. BRAKE	160	14
COLLAR C, ENGINE HANGER	195	5	COVER, COMBINATION SWITCH	143	1	DOWEL PIN, 10X16	108	15
COLLAR, 25X28X12	123	13		146	1		119	16
COLLAR, 30X11.2	123	7	COVER, DUST	177	4	DOWEL PIN, 8X14	100	9
COLLAR, BANK ANGLE SENSOR	131	15	COVER, FR. LOWER	199	1		113	4
	193	28	COVER, HEADLIGHT UPPER	131	8		118	22
COLLAR, BRAKE HOSE STAY	158	17	COVER, LOCK NUT	134	1	DOWEL PIN, 8X20	102	22
COLLAR, CENTER PIVOT DISTANCE ..	181	7	COVER, L. AIR DUCT	200	11	DRIVER, SCREW	204	4
COLLAR, FR. AXLE DISTANCE	156	6	COVER, L. FRAME	195	8	DRUM COMP., GEARSHIFT	125	5
COLLAR, FR. FENDER	142	7	COVER, L. WINKER RUBBER	186	11	DUCT, L. AIR CLEANER	171	16
	174	12	COVER, RECEIVER UNIT HOLE	143	4			17
COLLAR, FR. WHEEL COVER	184	3		146	4	DUCT, R. AIR CLEANER	171	14
COLLAR, HORN SETTING	192	9	COVER, REED VALVE	100	5			15
COLLAR, L. MUFFLER MOUNTING	176	7	COVER, RESERVE TANK	197	11	DUST SEAL, 16X26X3	183	9
COLLAR, L. PIVOT DISTANCE	181	9	COVER, RR. FENDER STAY LOWER ..	185	12	DUST SEAL, 28X37X4	182	24
COLLAR, L. RR. WHEEL SIDE	160	4	COVER, R. AIR DUCT	200	10	DUST SEAL, 30X37X4	182	25
COLLAR, MOUNTING	167	18	COVER, R. FRAME	195	7	DUST SEAL, 30X47X7.5	161	24
COLLAR, PILLION SEAT MOUNTING ..	193	26	COVER, R. WINKER RUBBER	186	6	DUST SEAL, 30X56X7.5	161	23
COLLAR, RADIATOR MOUNTING	197	24	COVER, SEAT LOCK	168	7	DUST SEAL, RR. CUSHION PIVOT ..	183	8
COLLAR, REGULATOR MOUNTING	132	3	COVER, THERMOSTAT	126	7	DUST SEAL, STEERING HEAD	148	2
COLLAR, RR. AXLE	181	5	COVER, USB CHARGER	193	22		149	2
COLLAR, RR. AXLE DISTANCE	160	8	COWL ASSY., R. UNDER	202	5	DUST SEAL, STEERING UPPER	148	1
COLLAR, RR. BRAKE SIDE	160	5	COWL A, L. RR.	169	16		149	1
COLLAR, RR. CUSHION	183	6	COWL A, R. RR.	168	12			
COLLAR, RR. FENDER	144	24	COWL B, L. MIDDLE	200	5	[E]		
	147	23	COWL B, L. RR.	168	11	ELEMENT COMP., AIR CLEANER	171	1
	184	5	COWL B, R. MIDDLE	199	4	EMBLEM	209	7
	202	10	COWL B, R. RR.	168	8	EMBLEM, KEY	143	8
COLLAR, R. FR. WHEEL SIDE	156	4	COWL SET A, L. MIDDLE	199	3		146	8
COLLAR, R. MUFFLER MOUNTING	176	8	COWL SET A, L. RR.	169	16	EMBLEM, PRODUCT	165	29
COLLAR, R. PIVOT DISTANCE	181	8	COWL SET A, R. MIDDLE	199	2			
COLLAR, SPLINE, 25X28X13	123	16	COWL SET A, R. RR.	168	12	[F]		
COLLAR, SPLINE, 30X11	123	10		169	12	FAN COMP., COOLING	196	4
COLLAR, STEP LOWER	179	15	COWL SET B, L. MIDDLE	200	5	FASTENER A, DUAL LOCK, 8X25 ...	163	12
COLLAR, TAILLIGHT MOUNTING	151	6	COWL SET B, R. MIDDLE	200	4	FASTENER C, DUAL LOCK, 8X25 ...	163	13
	168	1	COWL SET, FR. LOWER	199	1		170	1
	170	7	COWL SET, FR. UPPER	198	2	FASTENER D, DUAL LOCK, 20X20 ..	170	2
	202	12	COWL SET, L. UNDER	202	6	FASTENER F, DUAL LOCK, 20X20 ..	163	15
COLLAR, TENSIONER	107	4	COWL, FR. UPPER	198	2	FENDER A, RR.	184	6
COLLAR, WINKER	186	3	COWL, INNER LOWER	202	4	FENDER B, RR.	184	7
	188	3	CRANKCASE SET	119	1	FENDER C, RR.	184	8
		4	CRANKSHAFT COMP.	121	9	FENDER SET, FR.	150	3
CONNECTOR	157	8	CUP COMP., OIL	157	11	FILM B, PROTECTOR	165	27
COOLER COMP., OIL	117	11	CUSHION ASSY., RR.	183	1	FILM, PROTECTOR	165	26
COTTER, VALVE	104	10	CUSHION, RR. FUEL TANK	164	19	FILTER ASSY., FUEL	162	4
COUNTERSHAFT COMP.	123	3	CUSHION, USB UNIT, 30X30	193	23	FILTER SET, OIL	117	2
COVER ASSY., CYLINDER HEAD	100	1	CYLINDER SET, MASTER	140	18	FLANGE SUB ASSY., RR. DRIVEN ..	160	7
COVER ASSY., FUEL TANK FR.	163	18	CYLINDER SUB ASSY., FR. BRAKE			FLYWHEEL COMP.	114	2
	164	18	MASTER	140	12			3
COVER ASSY., L. SIDE	170	6	CYLINDER SUB ASSY., RR. BRAKE					
COVER ASSY., POWER BOX	192	16	MASTER	157	10			



PART NAME INDEX

Part name	Page	Ref.	Part name	Page	Ref.	Part name	Page	Ref.
FORK ASSY., L. FR.	153	21	GUARD, NUMBER PLATE	131	7	HOUSING, UPPER THROTTLE	136	12
FORK ASSY., R. FR.	152	1	GUARD, RADIATOR HEAT	197	19		138	12
FORK C, GEARSHIFT	125	3	GUARD, RESERVE TANK HEAT	197	14	[I]		
FORK, L. GEARSHIFT	125	4	GUIDE A, CAM CHAIN	107	8			
FORK, R. GEARSHIFT	125	2	GUIDE COMP. B, CAM CHAIN	107	7	INJECTOR ASSY., FUEL	127	16
FUNNEL, AIR	171	8	GUIDE COMP. B, OIL PUMP CHAIN	117	6	INSULATOR	116	9
FUNNEL, L. AIR	171	10	GUIDE COMP., CABLE	133	10	INSULATOR, THROTTLE BODY	101	5
FUNNEL, R. AIR	171	9		136	4	[J]		
FUSE, BLADE	192	10	GUIDE, CLUTCH OUTER	138	4			
		11	GUIDE, EX. VALVE	110	3			
		12	GUIDE, L. FR. CORD	101	2	JOINT COMP., BLEEDING	101	8
		13		146	10	JOINT COMP., WATER	126	1
		14	[H]			JOINT, BRAKE ROD	158	23
[G]			HANDLE, EYE WRENCH	204	9	JOINT, BREATHER TUBE	162	6
GASKET COMP., CYLINDER HEAD			HARNES, WIRE	191	3	JOINT, DRIVE CHAIN	181	4
COVER	100	3	HEADLIGHT ASSY.	131	2	JOINT, FOUR WAY	128	21
	129	1		132	1	JOINT, FUEL TUBE	162	5
GASKET KIT A	129	1		132	1		163	17
GASKET KIT B	130	1	HEAD ASSY., CYLINDER	101	8	JOINT, IDLE AIR CONTROL VALVE ..	127	10
GASKET, CYLINDER HEAD	101	3	HOLDER, BRACKET	139	1	JOINT, L. AIR CLEANER DUCT	171	13
	129	1		145	25	JOINT, R. AIR CLEANER DUCT	171	12
GASKET, EX. PIPE	129	1		147	36	JOINT, WATER	126	2
	176	1	HOLDER, BRUSH	116	4	[K]		
GASKET, PLUG HOLE	101	4	HOLDER, CLUTCH LEVER	136	14			
	129	1		138	14	KEY SET	143	5
GASKET, TENSIONER HOLE	107	6	HOLDER, HANDLE PIPE UNDER	144	18		146	5
	129	1	HOLDER, HANDLE UPPER	144	17	KEY, BLANK	143	9
GASKET, THERMOSTAT CASE	126	6	HOLDER, L. MAIN STEP	178	9		146	9
	129	1	HOLDER, L. PILLION STEP	179	14	KEY, SEAT LOCK	169	15
GASKET, WATER PUMP BODY	115	5	HOLDER, L. WINKER	188	10	KEY, TOP	133	5
GAUGE, OIL LEVEL	108	4	HOLDER, MASTER CYLINDER	136	9	KEY, WOODRUFF, 25X14X4	122	12
GEAR B, STARTER REDUCTION	112	4		138	9	[L]		
GEAR COMP., STARTER DRIVEN	112	2	HOLDER, R. MAIN STEP	140	15			
GEAR COMP., STARTER REDUCTION ..	112	3	HOLDER, R. PILLION STEP	178	2	LABEL, ACCESSORIES & LOADING ..	205	7
GEAR, COUNTERSHAFT FIFTH	123	14	HOLDER, R. WINKER	179	13		207	7
GEAR, COUNTERSHAFT FIRST	123	4	HORN COMP.	188	2	LABEL, AIR CLEANER ELEMENT		
GEAR, COUNTERSHAFT FOURTH	123	11	HOSE A, RADIATOR	191	8	NOTICE	205	6
GEAR, COUNTERSHAFT SECOND	123	6	HOSE A, WATER	197	20		207	6
GEAR, COUNTERSHAFT SIXTH	123	17		115	6	LABEL, BRAKE FLUID	206	15
GEAR, COUNTERSHAFT THIRD	123	9	HOSE B, RADIATOR	197	7		207	14
GEAR, MAINSHAFT FIFTH	123	12	HOSE B, WATER	115	8	LABEL, CHAIN ADJUSTER	205	5
GEAR, MAINSHAFT SECOND	123	5	HOSE COMP. A, FR. BRAKE	140	7		207	5
GEAR, MAINSHAFT SIXTH	123	15		140	7	LABEL, DRIVE CAUTION	205	8
GEAR, MAINSHAFT THIRD & FOURTH	123	8	HOSE COMP. A, RR. BRAKE	157	4		206	9
GENERATOR ASSY., PULSE	108	11	HOSE COMP. D, FR. BRAKE	140	9		206	10
GRIP	204	5	HOSE COMP. D, RR. BRAKE	157	5		206	13
GRIP COMP., THROTTLE	136	10	HOSE COMP. F, RR. BRAKE	157	7		207	16
	138	10	HOSE COMP., FUEL FEED	163	9		207	8
GRIP, L. HANDLE	136	11	HOSE COMP., RR. BRAKE MASTER					9
	138	11	CYLINDER	157	12			12
GROMMET A, RR. COVER	198	1	HOSE C, WATER	126	8			15
GROMMET, AIR CLEANER CASE	144	25	HOSE D, WATER	126	9	LABEL, FRENCH TRANSLATION	205	11
	147	24	HOSE, WATER BREATHER	101	11		207	10
	165	28	HOUSING, UNDER THROTTLE	136	13	LABEL, FUEL & DRIVE	206	12
GROMMET, MAIN PIPE COVER	158	24		138	13		207	11
GUARD, ABS SENSOR	140	6						
GUARD, HEAT	174	7						

PART NAME INDEX

Part name	Page	Ref.	Part name	Page	Ref.	Part name	Page	Ref.
LABEL, MANUFACTURER	205	2	NUT, CLIP, 5MM	131	17	O-RING	160	13
	207	2		132	6		171	20
LABEL, RADIATOR CAP	196	7		142	13	O-RING, 13.8X1.9	117	18
	197	7		185	21		130	1
LABEL, REFUEL CAUTION	206	14		198	16	O-RING, 14.7X2.2	117	19
	207	13		201	21		130	1
LABEL, TIRE & DRIVE CHAIN	205	3		203	18	O-RING, 14.8X2.4	158	31
		4	NUT, CLIP, 6MM	197	31	O-RING, 16.5X2.5	119	17
	207	3	NUT, CONNECTING ROD	121	8		130	1
		4	NUT, COWL SETTING, 5MM	166	12	O-RING, 17.8X1.9	127	13
LEVER ASSY., R. HANDLE	141	19		198	9	O-RING, 18X3	109	19
LEVER COMP., CLUTCH	108	5	NUT, FIXING	137	21		130	1
LEVER COMP., L. HANDLE	136	15		138	22	O-RING, 24.4X3.1	116	13
	138	16	NUT, FLANGE, 10MM	195	14		130	1
LIFTER ASSY., TENSIONER	107	5	NUT, FLANGE, 12MM	195	15	O-RING, 30MM	126	16
LIFTER, VALVE	104	6	NUT, FLANGE, 6MM	131	18		130	1
LIGHT ASSY., LICENSE	189	2		185	25	O-RING, 32.95X2.62	115	14
LOCK COMP., SEAT	168	10		189	5		130	1
				193	37	O-RING, 33.2X2.4	153	31
[M]					38	O-RING, 39.7X2.4	153	29
MAINSHAFT	123	1	NUT, HEX.	153	16	O-RING, 48.1X3.6	109	18
MARK	209	6	NUT, HEX. CAP, 6MM	187	16		130	1
MARK, ABS	209	4	NUT, HEX. CAP, 8MM	176	12	O-RING, 4X2	116	14
	211	15		198	14	O-RING, 55X2	161	25
	212	15	NUT, HEX., 10MM	134	5	O-RING, 6.3X2.2	128	23
MARK, HONDA	208	1	NUT, HEX., 6MM	177	15	O-RING, 7.47X3.6	128	24
	210	3	NUT, HEX., 8MM	137	25	O-RING, 9.5X1.9	102	20
		4		139	27		129	1
	210	6		158	33	O-RING, 9.8X1.9	197	33
MARK, L.	208	3	NUT, LOCK, 22MM	182	18	O-RING, OIL COOLER	117	20
MARK, L. WING	209	3	NUT, SERRATE, 5MM	110	15		130	1
	211	14	NUT, SETTING	197	32	OUTER COMP., CLUTCH	110	2
	212	16	NUT, SIDE STAND	196	2	OUTER, STARTING CLUTCH	108	8
MARK, MIDDLE COWL A	210	5	NUT, SPECIAL, 6MM	180	7			9
MARK, R.	208	2	NUT, STEERING STEM	177	12	[P]		
MARK, R. WING	211	13		144	30	PACKING	101	19
	209	5	NUT, U, 12MM	147	30		129	1
MARK, SHROUD A	165	41	NUT, U, 18MM	161	18	PACKING, BASE	164	20
MAT, FUEL TANK	133	1		161	19	PACKING, OIL STRAINER	117	8
METER ASSY., COMBINATION	133	4	NUT, U, 5MM	181	17		130	1
METER COMP., LCD	135	2	NUT, U, 6MM	185	20	PACKING, RESERVE TANK	197	15
MIRROR ASSY., L. BACK	135	1		136	20	PAD SET, FR.	154	3
MIRROR ASSY., R. BACK	134	3	NUT, U, 8MM	138	21	PAD SET, RR.	159	1
MIRROR COMP., L. BACK	134	2		151	8	PANEL, L, INNER MIDDLE	200	8
MIRROR COMP., R. BACK	142	6		165	34	PANEL, L. INNER UPPER	200	9
MODULATOR ASSY.	127	9	[O]			PANEL, METER	198	3
MOTOR ASSY.	196	5	OIL SEAL, 12X18X5	109	17	PANEL, R. INNER MIDDLE	200	6
MOTOR ASSY., FAN	116	1	OIL SEAL, 14X22X5	125	20	PANEL, R. INNER UPPER	200	7
MOTOR ASSY., STARTER	176	3	OIL SEAL, 28X47.2X7	156	15	PAN, OIL	117	1
MUFFLER COMP., EX.			OIL SEAL, 40X62X8.4	124	39	PEDAL COMP., BRAKE	177	8
[N]			ORIFICE, 1.2MM	119	2	PEDAL COMP., GEAR CHANGE	177	3
NUT-WASHER, 6MM	116	12	O-RING	119	18	PGM-FI UNIT	192	20
	190	6		119	18		193	20
NUT U, FLANGE, 10MM	183	5	OIL SEAL, 12X18X5	109	17	PIN A, DOWEL, 12X16	102	23
NUT, CAP, 6MM	141	29	OIL SEAL, 14X22X5	125	20	PIN COMP., BRAKE ROD	158	22
		35	OIL SEAL, 28X47.2X7	156	15	PIN, 10X44	112	1
	165	33	OIL SEAL, 40X62X8.4	124	39	PIN, CLUTCH LIFTER	110	12
			ORIFICE, 1.2MM	119	2			
			O-RING	119	18			
				127	12			
				130	1			
				156	2			



PART NAME INDEX

Part name	Page	Ref.	Part name	Page	Ref.	Part name	Page	Ref.
PIN, GEARSHIFT FORK GUIDE	123	19	RECEIVER, CLUTCH CABLE	108	7	RUBBER, L. FR. WINKER MOUNTING	188	8
PIN, HANGER	159	11	RECTIFIER ASSY., REGULATE	191	1	RUBBER, L. WINKER MOUNTING	186	8
PIN, PISTON	121	3	RECTIFIER COMP., SILICON	191	2			10
PIN, SHIFT RETURN SPRING	125	13	REFLECTOR, FR. REFLEX	150	1		188	9
PIN, SPLIT, 2.0X12	158	34	REFLECTOR, REFLEX	184	2	RUBBER, MAGNETIC SHOCK	190	5
PIN, SPLIT, 2.0X15	179	21	REFLECTOR, RR. REFLEX	184	2	RUBBER, METER SETTING	133	6
PIN, STEP BAR	178	5	RELAY COMP., POWER	192	19	RUBBER, MOUNT	184	1
PIN, STEP BAR JOINT	178	3	RELAY COMP., WINKER	192	17	RUBBER, MOUNTING	100	8
PIPE COMP. A, RR. BRAKE	142	2	RETAINER	159	8		129	1
PIPE COMP. B, FR. BRAKE	142	4	RETAINER, VALVE SPRING	104	8		143	2
PIPE COMP. B, RR. BRAKE	142	3	RIM, HEADLIGHT	131	10		146	2
PIPE COMP. C, FR. BRAKE	142	5	RING	116	8		202	2
PIPE COMP. E, RR. BRAKE	157	6	RING B, PISTON	152	13	RUBBER, PILLION SEAT MOUNTING ..	193	27
PIPE COMP., L. SLIDE	153	25	RING SET, PISTON	121	1	RUBBER, PROTECTOR	163	16
PIPE COMP., L. STEERING HANDLE	147	19	RING, BACK UP	152	5		202	11
PIPE COMP., R. SLIDE	152	11	RING, FR. PULSER	156	5	RUBBER, PROTECTOR MOUNTING	131	1
PIPE COMP., R. STEERING HANDLE	146	13	RING, HANDLE WEIGHT SNAP	143	15		176	4
PIPE, FUEL	127	18		146	17	RUBBER, PROTECTOR PACKING	176	2
	128	19	RING, OIL SEAL STOPPER	153	14	RUBBER, RR. FENDER CUSHION	150	5
PIPE, STEERING HANDLE	143	11	RING, PISTON	153	30		170	4
PISTON	121	2	RING, RR. PULSER	160	6		202	9
	159	5	RING, SEAL	127	17	RUBBER, R. FR. WINKER MOUNTING	188	5
PISTON A	154	8	RING, SNAP, 62MM	124	34	RUBBER, R. WINKER MOUNTING	186	4
PISTON B	154	9	RING, STOPPER	153	17			5
PISTON SET, MASTER CYLINDER ..	157	15			19		188	6
PIVOT, SHIFT DRUM STOPPER ARM ..	125	15		159	15	RUBBER, SEAT CUSHION	168	6
PLATE COMP., CLUTCH PRESSURE ..	110	7		183	2	RUBBER, SIDE COVER	193	25
PLATE, BEARING SETTING	123	2	RIVET, PUSH	142	10	RUBBER, TAILLIGHT BRACKET	191	6
PLATE, CHAIN GUIDE	115	2	RIVET, PUSH, 6MM	166	13	RUBBER, TAILLIGHT MOUNTING	189	3
PLATE, DIAPHRAGM	140	16		200	14	RUBBER, TAIL COVER	185	13
	158	20	ROD ASSY., CONNECTING	202	13	RUBBER, THERMOSTAT	126	4
PLATE, IDLE AIR CONTROL VALVE ..	127	11		121	5		129	1
PLATE, JOINT	127	8	ROD COMP.	153	26			
PLATE, LOCK KEY SETTING	169	14	ROD COMP., PISTON	152	12	[S]		
PLATE, NAME	205	1	ROD COMP., PUSH	157	16			
	207	1	ROLLER, 4X8	125	23	SCREW-WASHER, 4X12	141	34
PLATE, PILLION STEP CLICK	178	10	RUBBER A, TAILLIGHT MOUNTING ..	142	1		158	32
PLATE, PORT	100	2	RUBBER B, HANDLE WEIGHT	143	14	SCREW-WASHER, 5X12	116	15
PLATE, SETTING	110	8		144	16		128	26
PLATE, SPINDLE	125	11		146	16	SCREW-WASHER, 5X16	137	22
PLATE, TENSIONER SETTING	125	1		147	18		139	23
PLUG, CONE TYPE	169	21	RUBBER B, MOUNTING	184	4	SCREW-WASHER, 5X18	145	37
PLUG, HANDLE LEVER BRACKET	138	15	RUBBER B, SEAT SETTING	168	5		147	34
	141	20	RUBBER B, TAILLIGHT MOUNTING ..	132	2	SCREW, 4X6.6	162	3
PLUG, HOLE	185	22	RUBBER, CANISTER MOUNTING	174	1	SCREW, BLEEDER	154	4
PLUG, RADIATOR DRAIN	101	10	RUBBER, CHANGE PEDAL	177	5		159	12
PLUG, SPARK	101	12	RUBBER, CUSHION	171	6	SCREW, FLAT, 3X16	136	19
PROTECTOR	140	13	RUBBER, DUST SEAL	177	1		138	20
PROTECTOR, MUFFLER	176	5	RUBBER, EX. PIPE MOUNTING	176	6	SCREW, FLAT, 4X12	141	33
PULLER, MINI FUSE	192	15	RUBBER, FR. FENDER MOUNTING ..	131	3	SCREW, FLAT, 4X56	157	14
PUMP ASSY., FUEL	162	1	RUBBER, FR. TANK MOUNTING	163	10	SCREW, OVAL, 6X40	144	29
PUMP ASSY., OIL	117	3	RUBBER, FUEL TANK FR.	202	1	SCREW, OVAL, 6X50	147	29
PUMP COMP., WATER	115	3	RUBBER, HANDLE CUSHION	144	19	SCREW, PAN, 4X8	128	25
					20	SCREW, PAN, 5MM	172	25
[R]			RUBBER, HEADLIGHT	131	4	SCREW, PAN, 5X12	181	14
				174	10	SCREW, PAN, 5X14	171	23
RADIATOR COMP.	196	1	RUBBER, HEADLIGHT CASE				185	19
RECEIVER UNIT	143	3	MOUNTING	168	2		200	19
	146	3		197	25		203	17

PART NAME INDEX

Part name	Page	Ref.	Part name	Page	Ref.	Part name	Page	Ref.
SCREW, PAN, 5X16	166	17	SEAL, WATER PIPE	126	15	SPRING, STOP SWITCH	177	7
	185	18		130	1	SPRING, VALVE	104	7
	200	18	SEAT ASSY., MAIN	168	3	SPROCKET COMP., DRIVE	123	18
		20	SEAT ASSY., PILLION	169	17	SPROCKET, CAM	107	1
SCREW, PAN, 5X22	203	16	SEAT, CLUTCH SPRING	110	11	SPROCKET, FINAL DRIVEN	160	2
	137	24	SEAT, JUDDER SPRING	110	5	SPROCKET, OIL PUMP DRIVE	110	1
	139	26	SEAT, R. STOPPER	152	10	SPROCKET, OIL PUMP DRIVEN	117	4
SCREW, PAN, 6X12	176	11	SEAT, STOPPER	152	9	SPROCKET, TIMING	122	11
	197	27	SEAT, VALVE SPRING	104	9	STATOR COMP.	114	4
SCREW, PAN, 6X14	133	13	SENSOR ASSY., AIR TEMPERATURE	171	21	STAY A, RR. BRAKE	157	1
	141	27	SENSOR ASSY., BANK ANGLE	191	7	STAY B, RR. BRAKE	157	2
	166	15	SENSOR ASSY., CRANK	119	7	STAY COMP. A, CANISTER	174	6
		16	SENSOR ASSY., MAP	171	19	STAY COMP. B, CANISTER	174	8
SCREW, PAN, 6X22	151	7	SENSOR ASSY., WATER			STAY COMP., FR. UPPER COWL	198	6
	170	8	TEMPERATURE	101	13	STAY COMP., KEY MOUNTING	143	10
	203	15	SENSOR, AIR FUEL RATIO	176	9		146	12
SCREW, PAN, 6X8	165	31	SENSOR, FR. WHEEL SPEED	140	5	STAY COMP., L. IGNITION COIL ..	194	5
SCREW, SPECIAL TAPPING, 5X14 ..	133	11	SENSOR, OXYGEN	176	9	STAY COMP., RR. FENDER	184	9
SCREW, SPECIAL, 5X14	131	14	SENSOR, RR. WHEEL SPEED	159	3	STAY COMP., R. IGNITION COIL ..	194	4
	198	12	SHAFT, GEARSHIFT FORK	125	7	STAY C, RR. BRAKE	157	3
	200	17	SHIM J, FINAL REDUCTION THIRD			STAY, BREATHER MIDDLE	164	23
SCREW, SPECIAL, 6X14	169	19	GEAR	124	30	STAY, FR. REFLECTOR	150	2
	181	16	SHIM, TAPPET	104	11	STAY, HARNESS CLIP	119	4
	185	17		105	11		133	9
SCREW, TAPPING, 3X14	133	7		106	11	STAY, HEADLIGHT LOWER	131	6
SCREW, TAPPING, 3X16	144	34	SHROUD ASSY. B, L.	166	7	STAY, L. CLIP	136	7
	147	32	SHROUD ASSY. B, R.	166	2		138	7
SCREW, TAPPING, 4X12	132	11	SHROUD COMP.	196	3	STAY, L. FR. NUMBER	131	11
	167	19	SHROUD C, L.	166	8	STAY, L. FR. WINKER RUBBER	186	9
	169	22	SHROUD C, R.	166	4	STAY, L. MIDDLE COWL	200	13
	185	23	SHROUD SET A, L.	166	6	STAY, L. RR. UNDER COWL	202	3
	187	18	SHROUD SET A, R.	166	1	STAY, L. SHROUD	166	11
	188	15	SLEEVE	159	14	STAY, L. UNDER COWL	202	8
	193	36	SLIDER, CHAIN	181	11	STAY, METER	133	8
SCREW, TAPPING, 4X16	201	23	SPACER, FR. FORK	154	12	STAY, RADIATOR LOWER	197	12
	185	24	SPACER, IGNITION COIL	194	2	STAY, RECEIVER UNIT	144	21
	189	4	SPANNER, 10X14	204	7		147	20
SCREW, TAPPING, 5X14	133	15	SPANNER, 8X12	204	8	STAY, RESERVE TANK	197	9
SCREW, TAPPING, 5X20	172	26	SPANNER, PIN	204	6	STAY, RR. FENDER C	184	10
		27	SPINDLE COMP., GEARSHIFT	125	10	STAY, RR. SENSOR CORD	159	4
SCREW, TAPPING, 5X25	172	28	SPONGE, SCREEN	198	7	STAY, R. FR. NUMBER	131	9
SEAL SET, FR. FORK	153	20	SPRING ASSY., BRAKE PEDAL	177	9	STAY, R. FR. WINKER RUBBER	186	2
SEAL SET, PISTON	154	1	SPRING ASSY., SIDE STAND	180	4	STAY, R. MIDDLE COWL	200	12
		2	SPRING, CARBON BRUSH	116	5	STAY, R. SHROUD	166	10
	159	2	SPRING, CLUTCH	110	9	STAY, R. UNDER COWL	202	7
SEAL, AIR CLEANER	171	2	SPRING, CLUTCH LEVER	108	6	STAY, SEAT LOCK CABLE	168	9
SEAL, AIR CLEANER ELEMENT	171	3	SPRING, GEARSHIFT DRUM STOPPER	125	9	STAY, TUBE CLAMP	197	16
SEAL, BREATHER	165	25	SPRING, JUDDER	110	10	STAY, USB SOCKET	193	24
SEAL, CENTER BOSS	171	5	SPRING, KICK STARTER STOPPER ..	178	1	STAY, WIRE	127	1
SEAL, DUST	153	28	SPRING, L. FR. FORK	153	22	STEM SUB ASSY., STEERING	148	3
SEAL, IGNITION SWITCH	145	40	SPRING, L. REBOUND	153	24		149	3
	147	36	SPRING, L. STEP RETURN	178	6	STOPPER	162	2
SEAL, JOINT	154	6	SPRING, PAD	154	7	STOPPER COMP., GEARSHIFT DRUM ..	125	8
SEAL, RADIATOR CAP	196	7		159	6	STOPPER, TERMINAL	116	10
	197	7	SPRING, R. FR.	152	2	STRAINER COMP., OIL	117	7
SEAL, SHROUD	166	3	SPRING, R. REBOUND	152	6	STRIPE A, L. MIDDLE COWL A	212	18
SEAL, THROTTLE BODY	171	4	SPRING, R. STEP RETURN	178	4	STRIPE A, L. MIDDLE COWL B	213	21
SEAL, VALVE STEM	104	1	SPRING, SEAT LOCK	169	13	STRIPE A, R. MIDDLE COWL A	212	17
			SPRING, SHIFT RETURN	125	12	STRIPE A, R. MIDDLE COWL B	212	19



PART NAME INDEX

Part name	Page	Ref.	Part name	Page	Ref.	Part name	Page	Ref.
STRIPE B, L. MIDDLE COWL A	213	27	T-JOINT	127	2	WASHER, CHAIN SLIDER	181	12
STRIPE B, L. MIDDLE COWL B	213	23	T-JOINT, FUEL	128	20	WASHER, DRAIN PLUG, 12MM	118	21
STRIPE B, R. MIDDLE COWL A	213	25	TRAY, ABS MODULATOR	142	8		130	1
STRIPE B, R. MIDDLE COWL B	213	22	TRIM, FUEL TANK	163	8	WASHER, DRUM STOPPER	125	16
STRIPE KIT, L. WHEEL	210	2	TUBE	127	3	WASHER, HANDLE UNDER HOLDER	144	33
STRIPE KIT, R. WHEEL	210	1			4	WASHER, LOCK	148	7
STRIPE, FR. UPPER COWL	213	20			14		149	7
STRIPE, L. FR. LOWER COWL	213	26			15	WASHER, LOCK, 25MM	124	25
STRIPE, L. FUEL TANK	211	9			3	WASHER, LOCK, 30MM	124	29
		10			173	WASHER, OIL BOLT	141	30
		12			174		158	30
STRIPE, L. FUEL TANK FR. COVER	211	12	TUBE, 3.5X125	128	30	WASHER, PLAIN, 12MM	195	16
STRIPE, L. RR. COWL A	214	30	TUBE, 3.5X140	128	31	WASHER, PLAIN, 4MM	185	26
		31	TUBE, 3.5X55	128	28	WASHER, PLAIN, 5MM	133	14
STRIPE, R. FR. LOWER COWL	213	24	TUBE, 3.5X95	128	29			16
STRIPE, R. FUEL TANK	210	7	TUBE, 7.3X240	165	38			38
	211	7	TUBE, 8X410	165	39		145	38
		8	TUBE, AIR	174	4	WASHER, PLAIN, 6MM	142	14
STRIPE, R. FUEL TANK FR. COVER	211	11	TUBE, BREATHER	171	18		147	35
STRIPE, R. RR. COWL A	213	28	TUBE, CANISTER	174	9		142	14
		29	TUBE, DRAIN	163	14		165	36
	214	29	TUBE, FUEL TANK BREATHER	164	21		185	27
SUB HARNESS, FR.	191	4	TUBE, FUEL TANK BREATHER				189	6
SUB HARNESS, INJECTOR	191	5					193	39
SUB HARNESS, OIL PRESSURE	119	3					40	40
SUSPENSION, SOLENOID VALVE	173	6	TUBE, FUEL, 4.5X320	164	22	WASHER, PLAIN, 8MM	179	19
SUSPENSION, WINKER RELAY	192	18	TUBE, L. AIR INJECTION CONTROL VALVE	175	15			20
SWINGARM SUB ASSY., RR.	181	13				WASHER, SCREEN SETTING	198	5
SWITCH ASSY., CHANGE	119	6	TUBE, OUTER	152	4	WASHER, SEALING, 34.5MM	117	17
SWITCH ASSY., COMBINATION & LOCK	143	6	TUBE, RESERVE TANK	197	10	WASHER, SEALING, 6MM	130	1
	146	6	TUBE, RESERVE TANK OVERFLOW	197	17		107	13
SWITCH ASSY., ENGINE STOP	136	5	TUBE, R. AIR INJECTION CONTROL VALVE	173	4	WASHER, SEALING, 6.5MM	129	1
	138	5					101	18
	140	1					115	13
SWITCH ASSY., FR. STOP	119	5					129	1
SWITCH ASSY., OIL PRESSURE	177	6	[V]			WASHER, SPLINE, 25X31X1.5	123	22
SWITCH ASSY., RR. STOP	180	1	VALVE ASSY., CLAMP IN	156	1	WASHER, SPLINE, 25X42X1.6	123	24
SWITCH ASSY., SIDE STAND	190	4		160	12	WASHER, SPLINE, 30MM	124	28
SWITCH ASSY., STARTER MAGNETIC	136	6	VALVE ASSY., EX. AIR INJECTION	173	7	WASHER, SPLINE, 30X36X1.5	123	23
SWITCH ASSY., WINKER	138	6	VALVE ASSY., RELIEF	117	9	WASHER, SPRING, 22MM	110	16
	136	6	VALVE COMP., REED	100	4	WASHER, STEERING STEM	144	32
SWITCH SET, CLUTCH	136	8	VALVE, EX.	104	5		147	31
	138	8	VALVE, IN.	104	4	WASHER, SWINGARM SIDE	110	13
			VALVE, PURGE CONTROL SOLENOID	174	11	WASHER, THRUST, 20MM	124	31
			VISOR, METER	198	4	WASHER, THRUST, 22.1X42X3	112	7
						WASHER, THRUST, 24MM	123	21
[T]						WASHER, THRUST, 25MM	124	26
TAILLIGHT UNIT	189	1	[W]			WASHER, THRUST, 5MM	198	15
TANK ASSY., FUEL	162	7	WASHER	116	11	WASHER, WAVE	112	6
	163	7	WASHER, 10X28X1	112	5	WEIGHT B, STEERING HANDLE	143	13
TANK COMP., RADIATOR RESERVE	197	18	WASHER, 10.2MM	124	27		146	15
TAPE, COVER	174	13	WASHER, 10.5X27	114	6	WEIGHT, BALANCE	156	9
TENSIONER ASSY., CAM CHAIN	107	3	WASHER, 10.5X31.8	108	14		160	15
THERMOSTAT	126	3	WASHER, 14MM	125	17	WEIGHT, STEERING HANDLE	143	12
THREAD B, STEERING HEAD TOP	148	6	WASHER, 14.5X28	180	3		146	14
	149	6	WASHER, 15.2X25	177	13	WHEEL SUB ASSY., FR.	156	7
THREAD COMP., STEERING HEAD TOP	148	4	WASHER, 18X32X2	161	20	WHEEL SUB ASSY., RR.	160	10
	149	4		182	19	WINDSCREEN SET	198	8
TIRE, FR.	156	8	WASHER, 60X25X2	110	17	WINKER ASSY., L. FR.	186	7
TIRE, RR.	160	11	WASHER, 6MM	131	16		188	7

PART NAME INDEX

Part name	Page	Ref.	Part name	Page	Ref.	Part name	Page	Ref.
WINKER ASSY., L. RR.	186	13						
	188	12						
WINKER ASSY., R. FR.	186	1						
	188	1						
WINKER ASSY., R. RR.	186	12						
	188	11						
WIRE, HELMET SET	204	1						
WRENCH, EYE, 22MM	204	12						
WRENCH, EYE, 27MM	204	13						
WRENCH, HEX., 5MM	204	11						
WRENCH, PLUG	204	10						

1

FOREWORD INDEX

2

ENGINE GROUP

3

FRAME GROUP

4

PART NUMBER INDEX

5

PART NAME INDEX

HONDA