

# Parts Catalogue

'18 ZR900 BJF(ID)

(Z900)

## '18 ZR900 BJJ

## Model Information

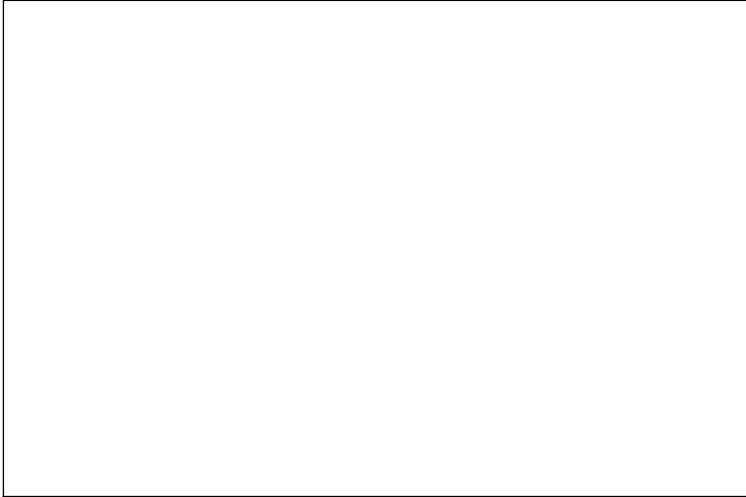
---

|                    |                                                                                                                    |
|--------------------|--------------------------------------------------------------------------------------------------------------------|
| Year & Model       | '18 ZR900BJJ                                                                                                       |
| Color              | 1.PEARL MYSTIC GRAY(36P)<br>2.FLAT EBONY TYPE2(45L)<br>3.CANDY LIME GREEN TYPE 3(51P)<br>4.CANDY PERSIMMON RED(A5) |
| VIN No. Range      | JKAZR900BBDA27441 -                                                                                                |
| Engine No. Range   | ZR900BE000001 -                                                                                                    |
| Owner's Manual No. | 99976-0106(E/F/G)<br>99976-0107(I/ES/NL)                                                                           |
| Service Manual No. | 99924-1525-02                                                                                                      |

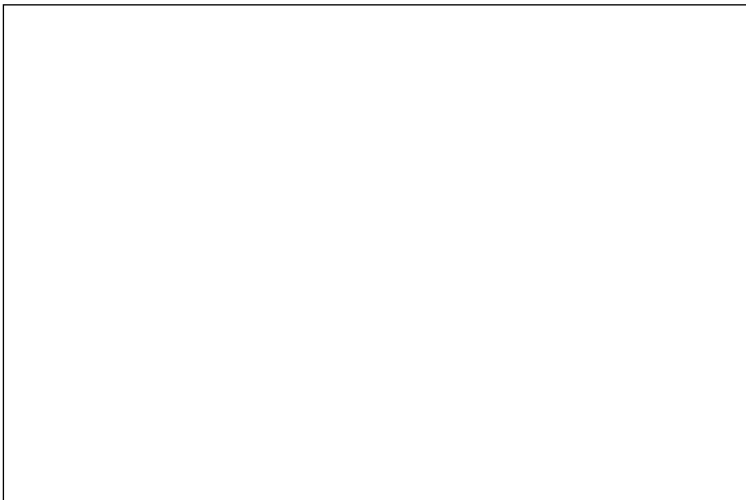


# ZR900BJJ

Left Side View



Right Side View





















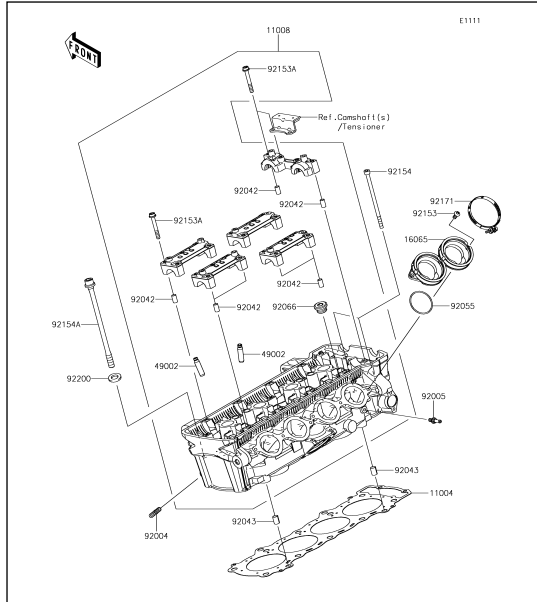




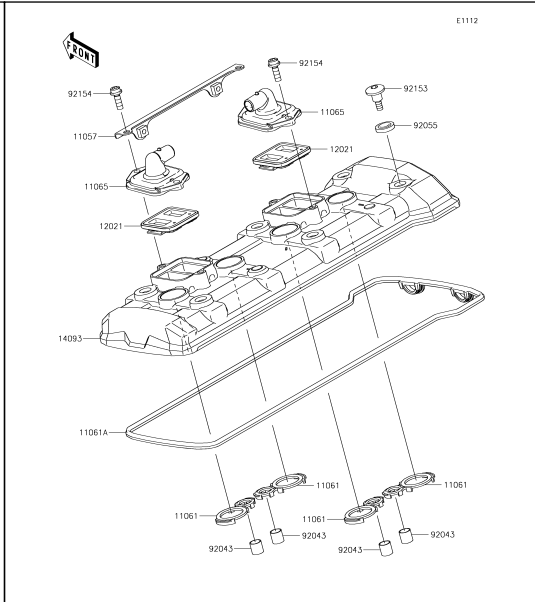




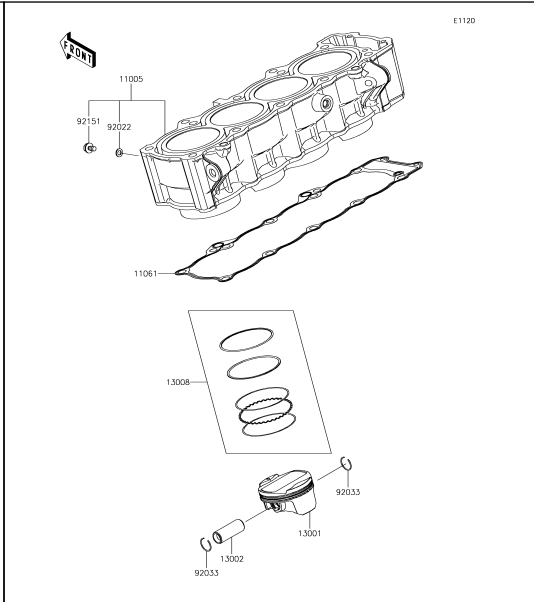




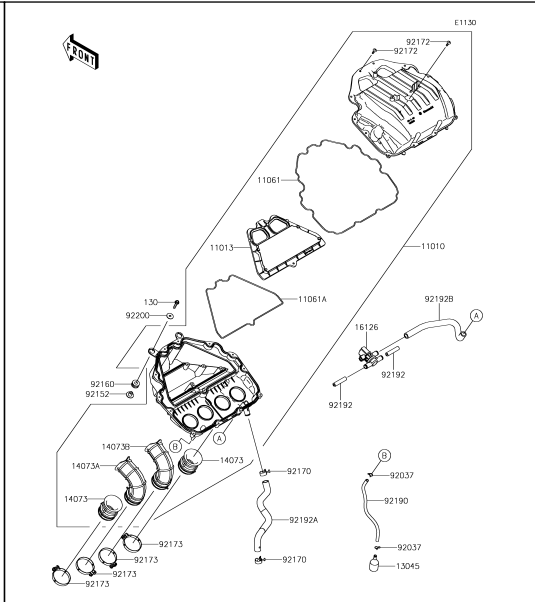
**1** Cylinder Head



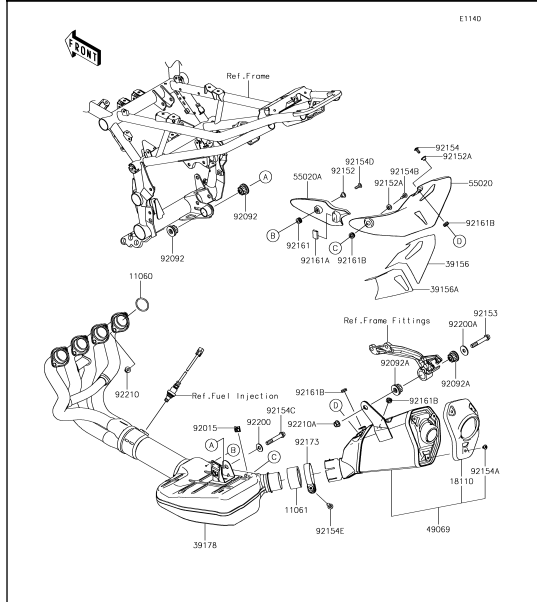
**2** Cylinder Head Cover



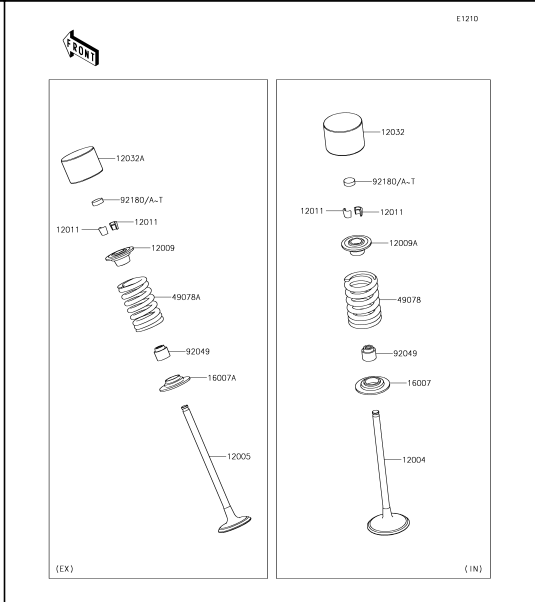
**3** Cylinder/Piston(s)



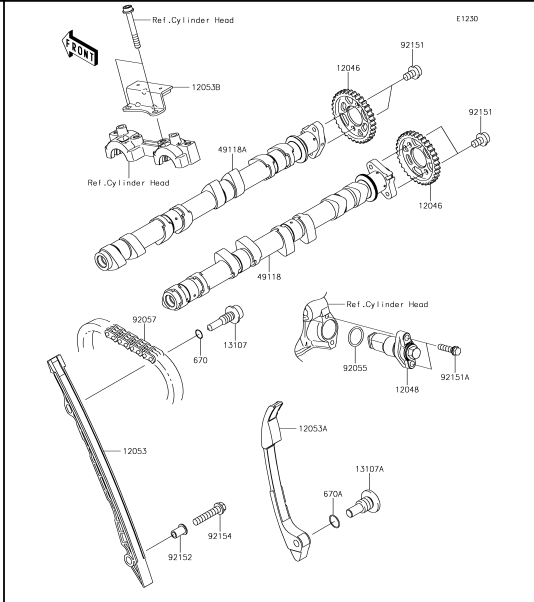
**4** Air Cleaner



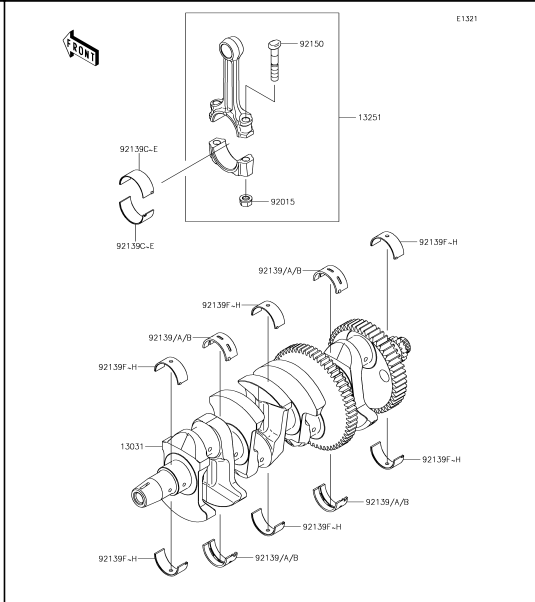
**5** Muffler(s)



**6** Valve(s)

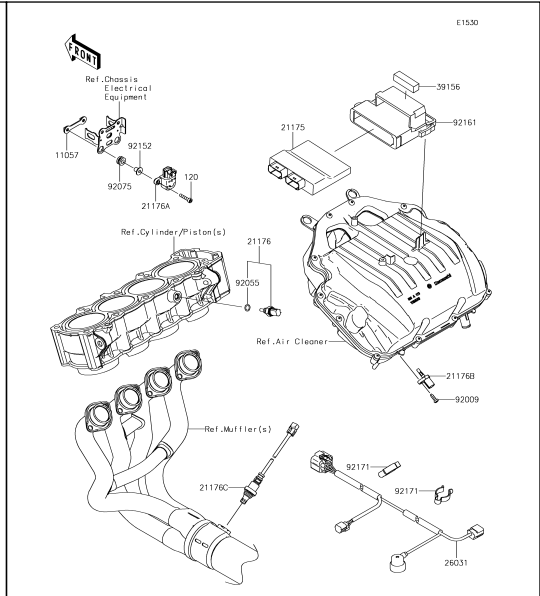
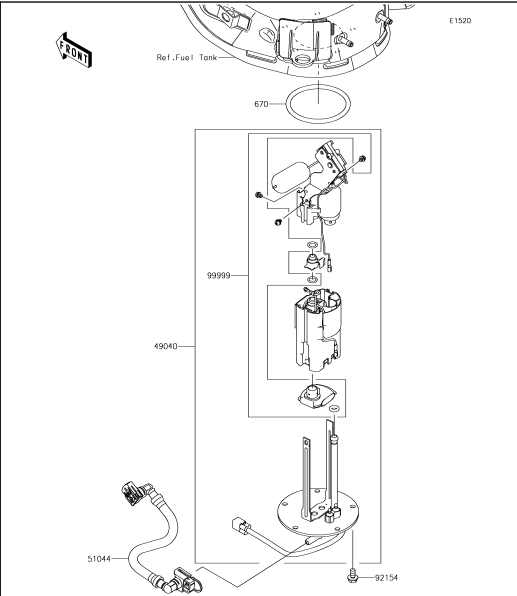
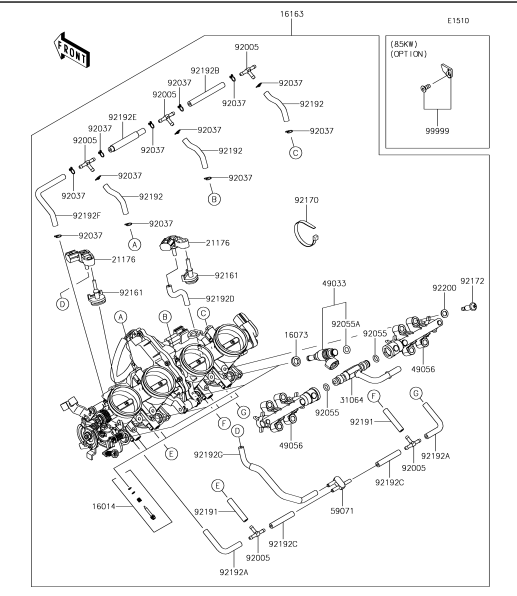
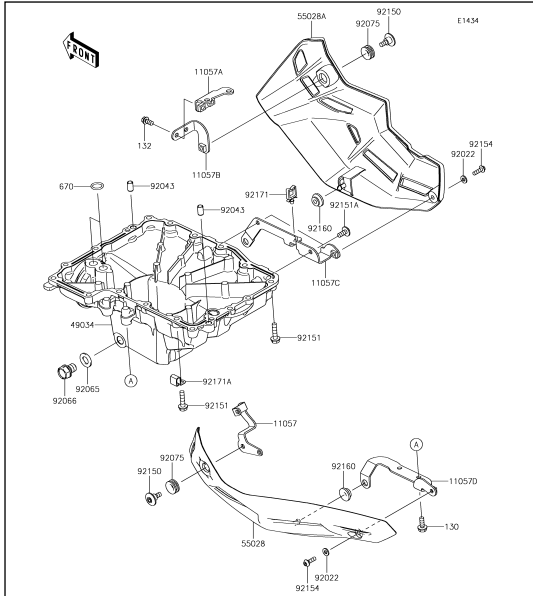


**7** Camshaft(s)/Tensioner



**8** Crankshaft



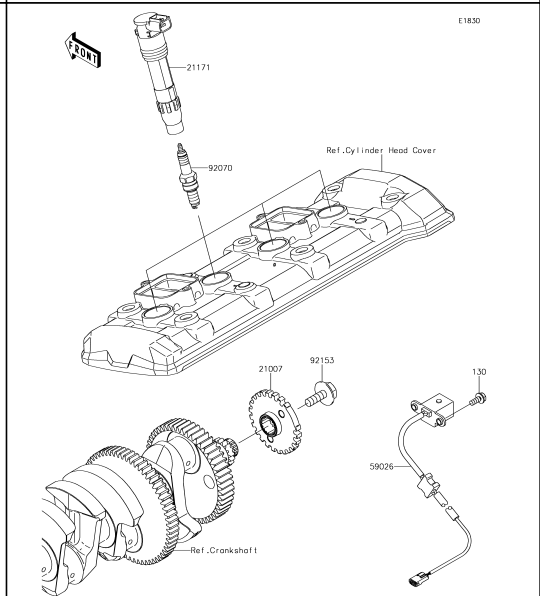
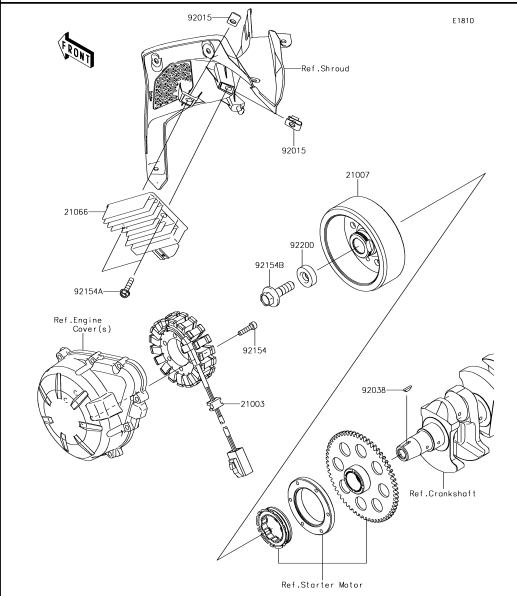
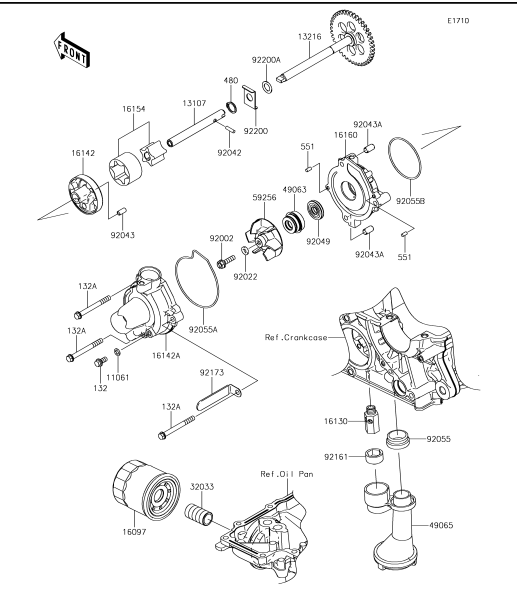
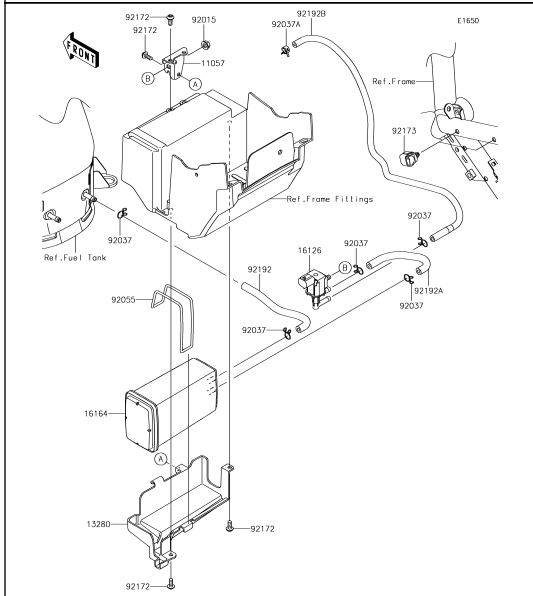


**17** Oil Pan

**18** Throttle

**19** Fuel Pump

**20** Fuel Injection

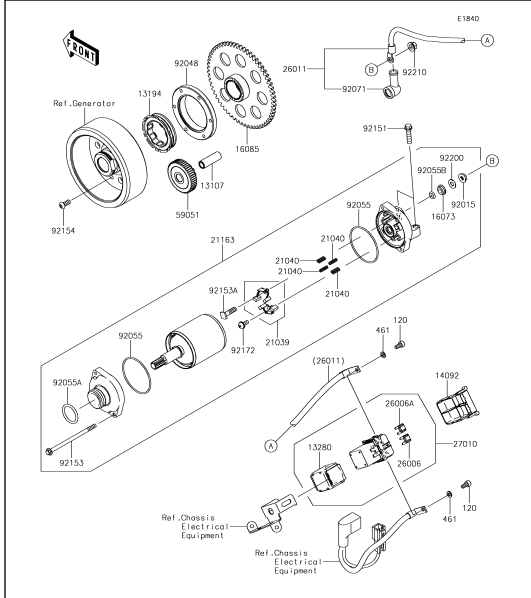


**21** Fuel Evaporative System

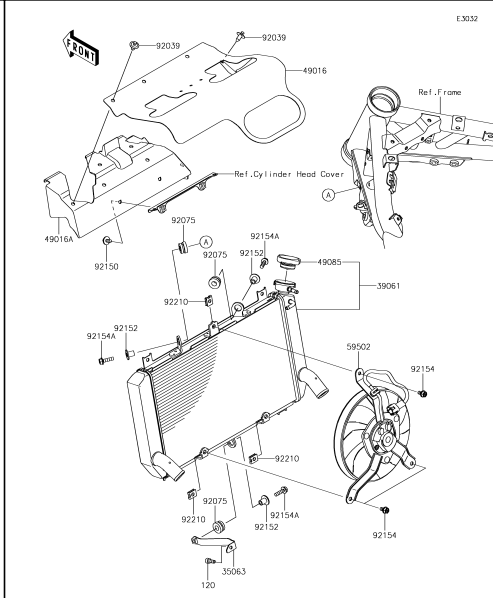
**22** Oil Pump

**23** Generator

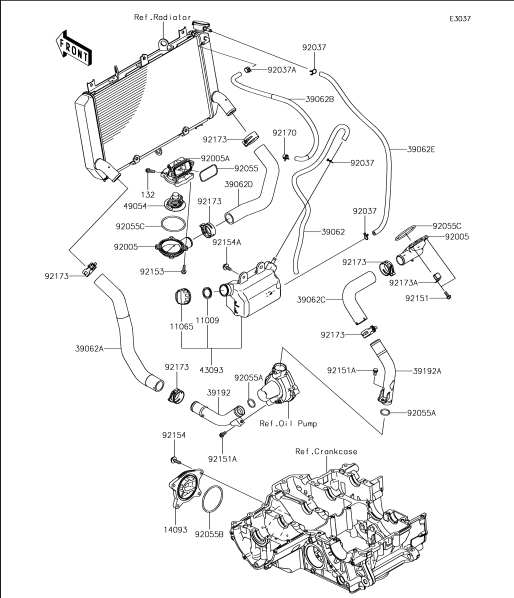
**24** Ignition System



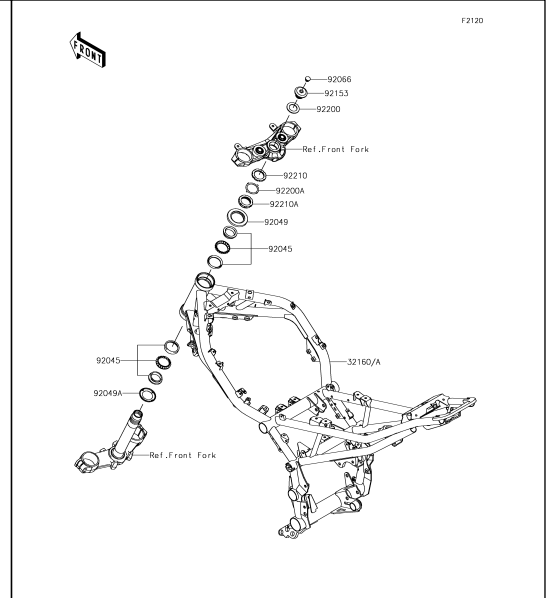
25 Starter Motor



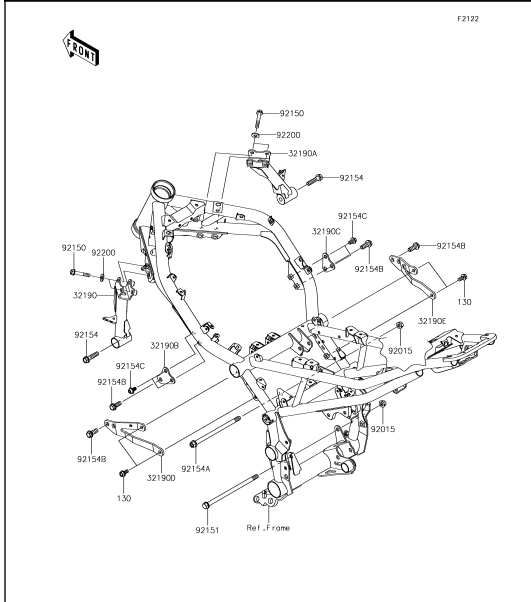
26 Radiator



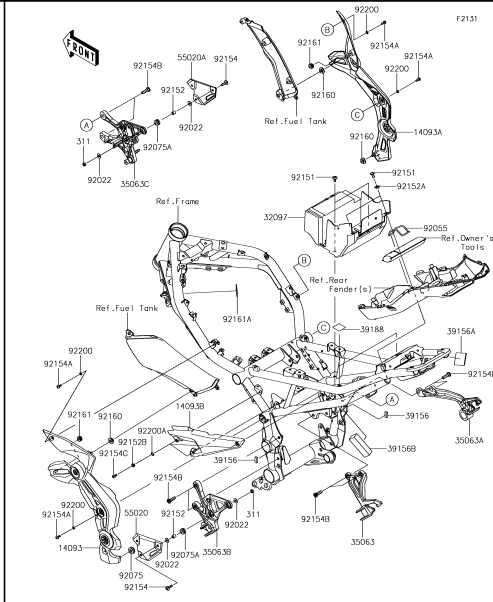
27 Water Pipe



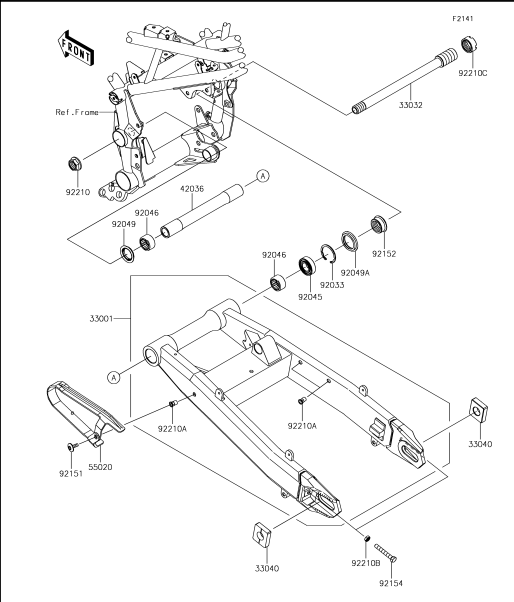
28 Frame



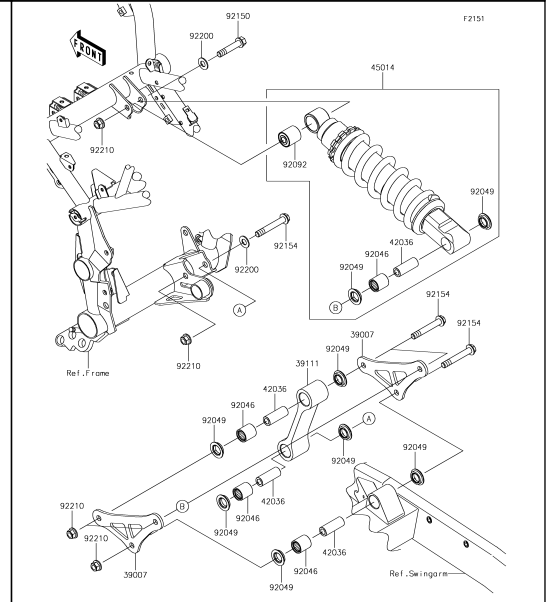
29 Engine Mount



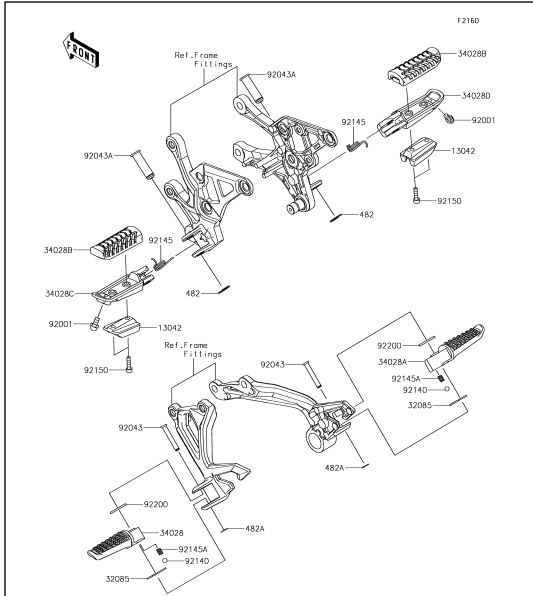
30 Frame Fittings



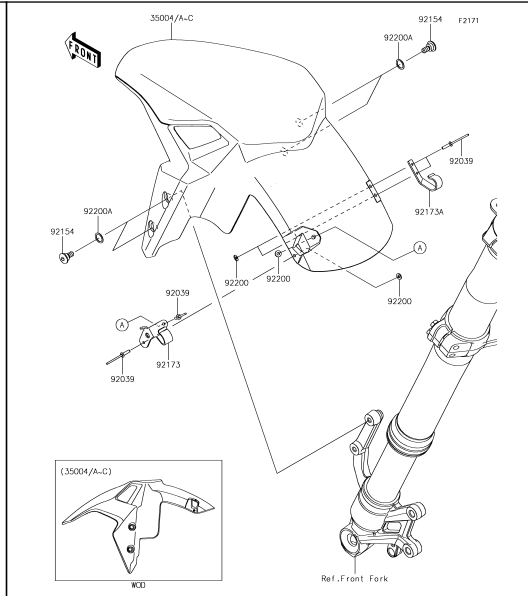
31 Swingarm



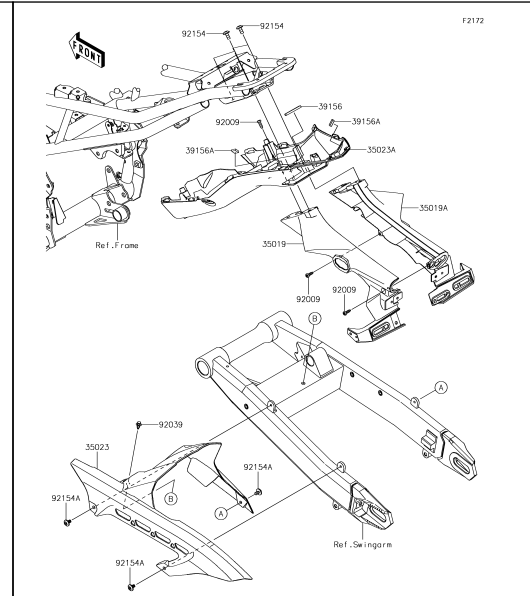
32 Suspension/Shock Absorber



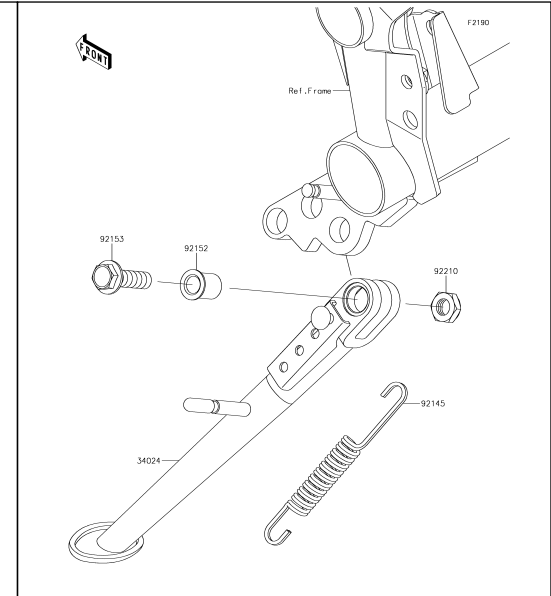
**33** Footrests



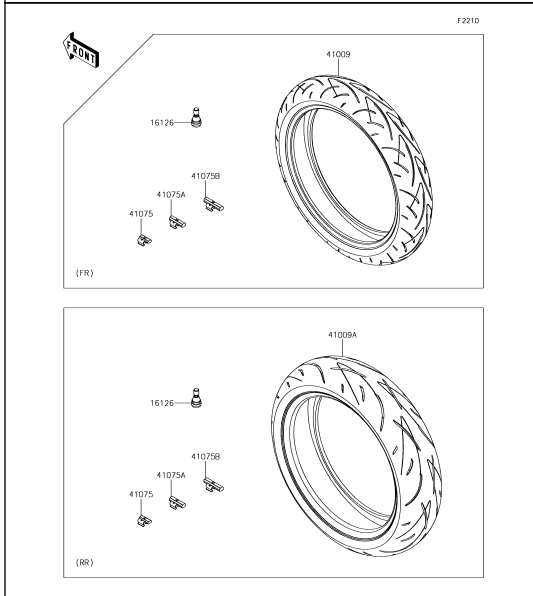
**34** Front Fender(s)



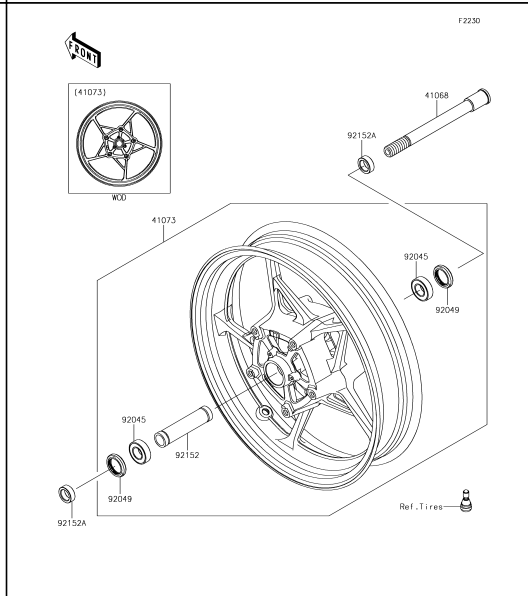
**35** Rear Fender(s)



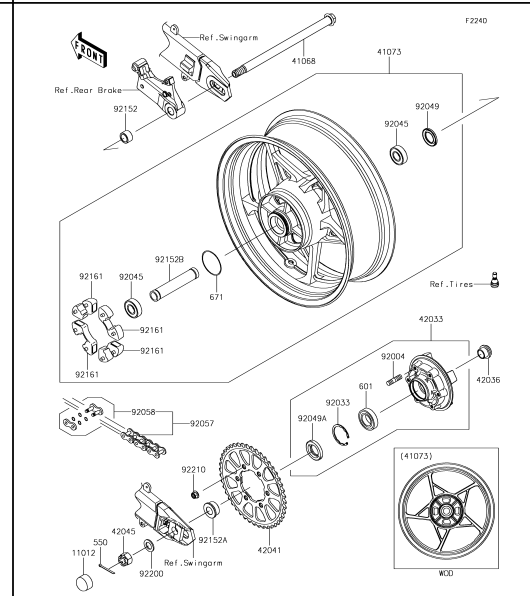
**36** Stand(s)



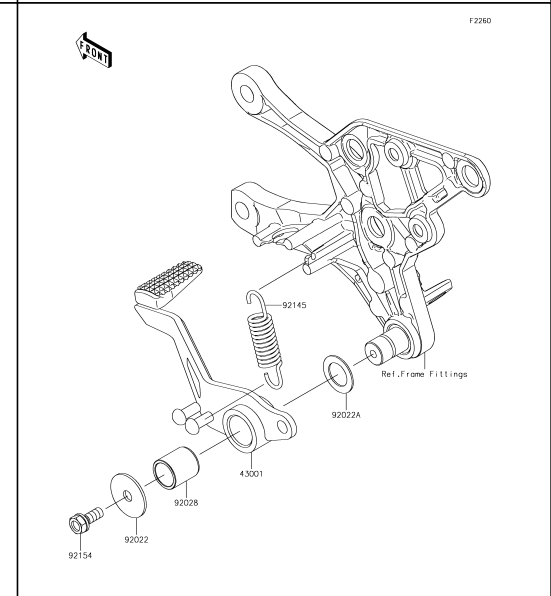
**37** Tires



**38** Front Hub

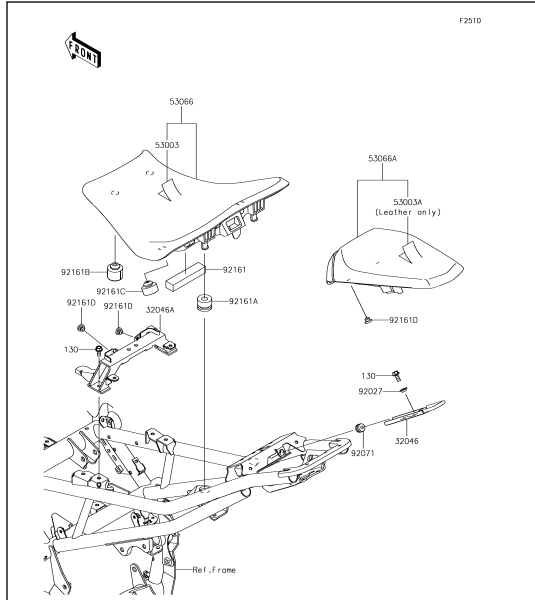


**39** Rear Hub

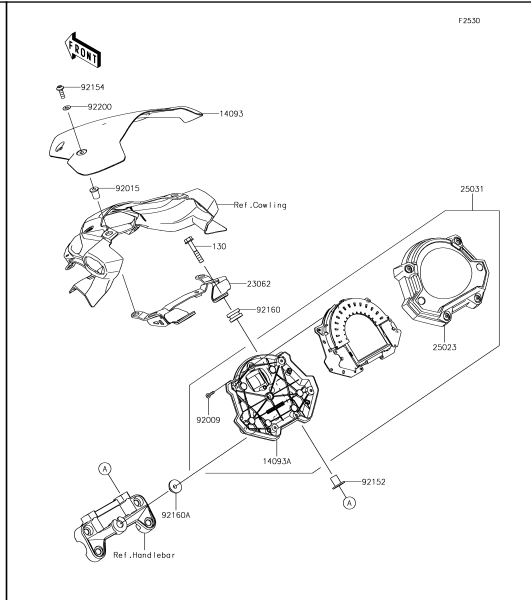


**40** Brake Pedal

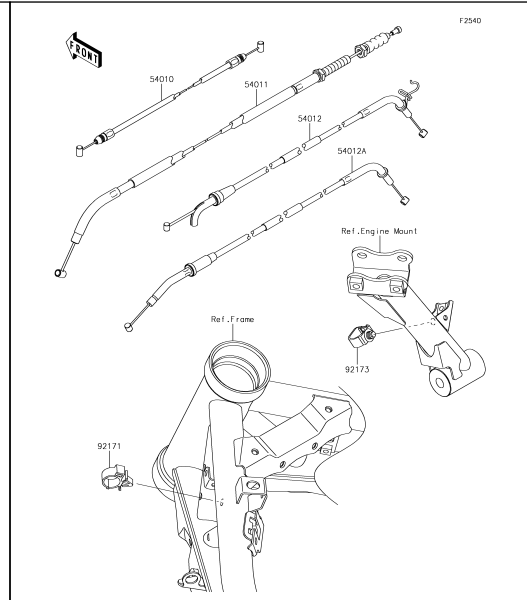




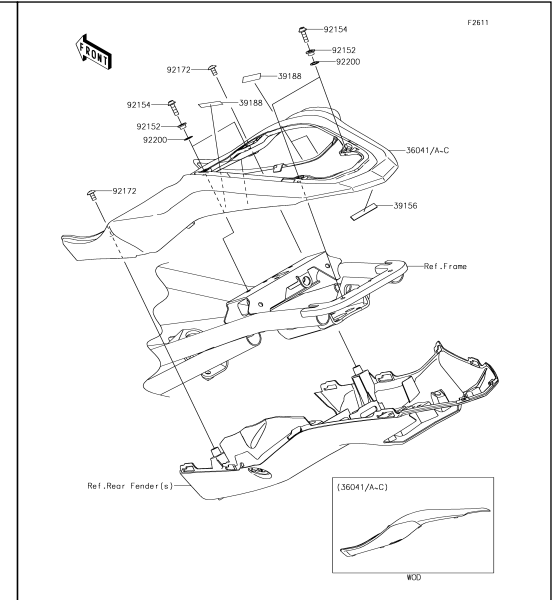
**49** Seat



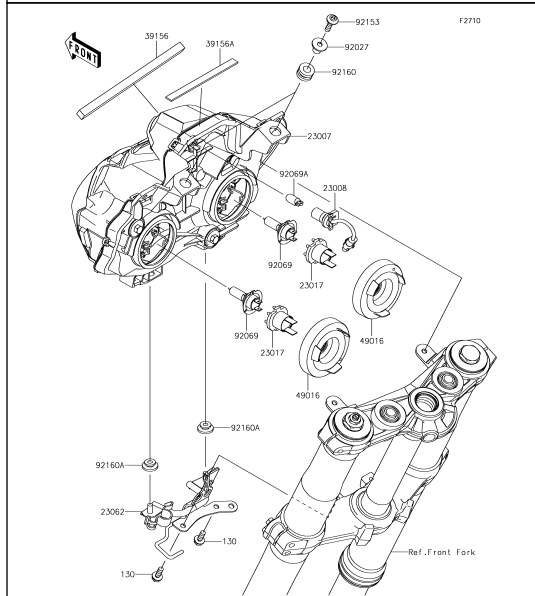
**50** Meter(s)



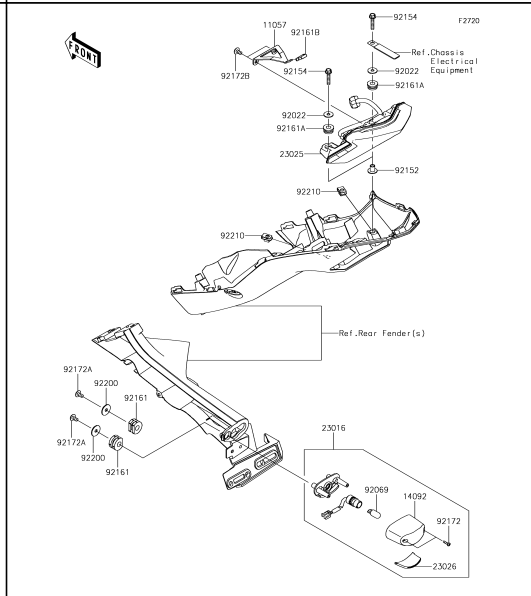
**51** Cables



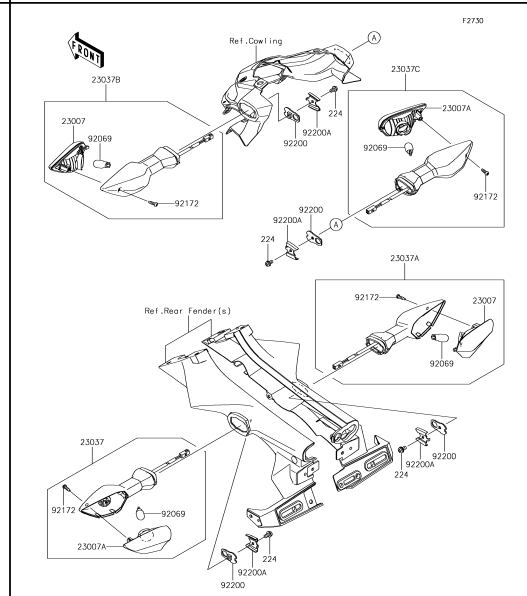
**52** Side Covers



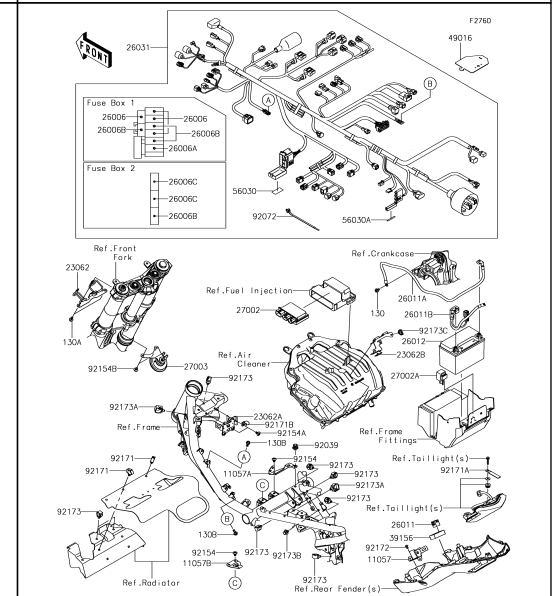
**53** Headlight(s)



**54** Taillight(s)



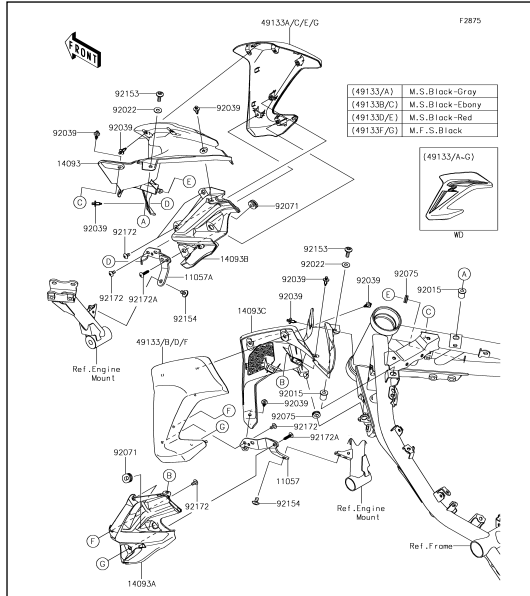
**55** Turn Signals



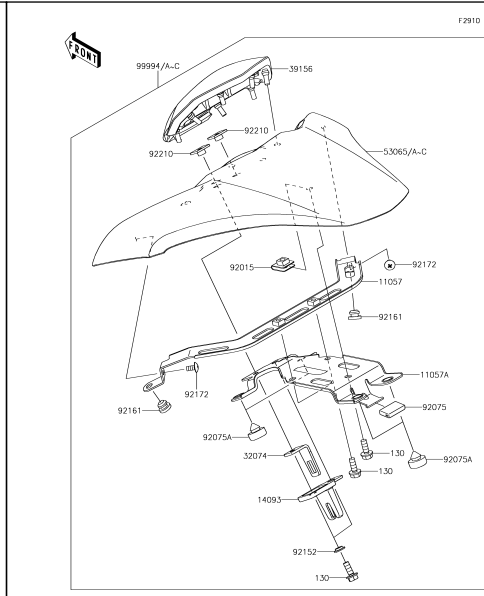
**56** Chassis Electrical Equipment



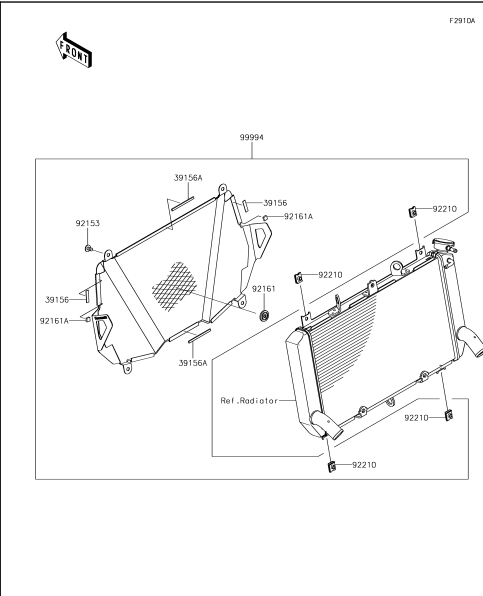




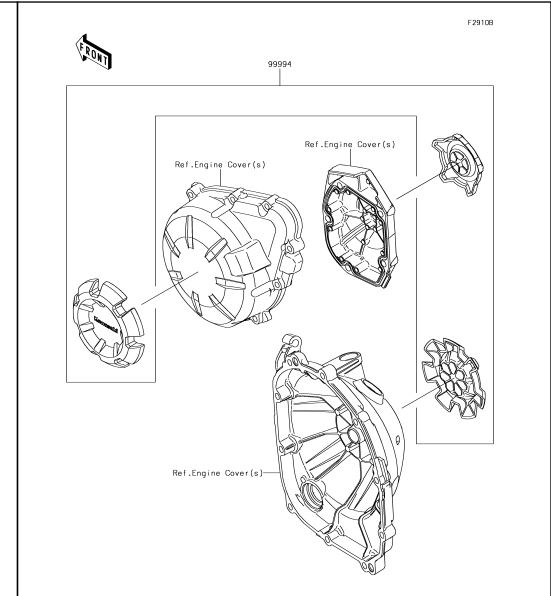
**65** Shroud



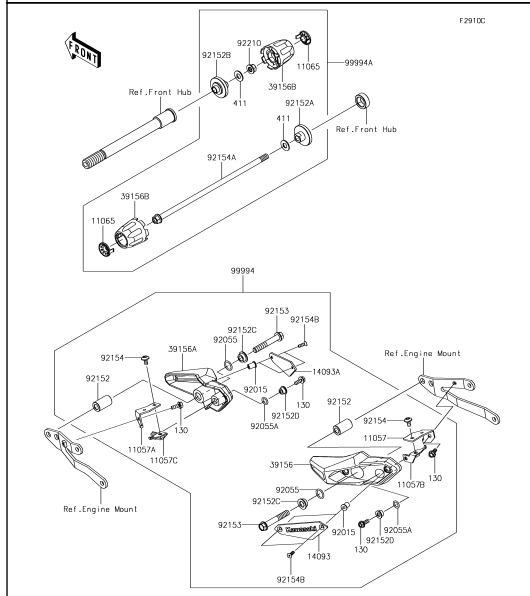
**66** Accessory(Single Seat Cover)



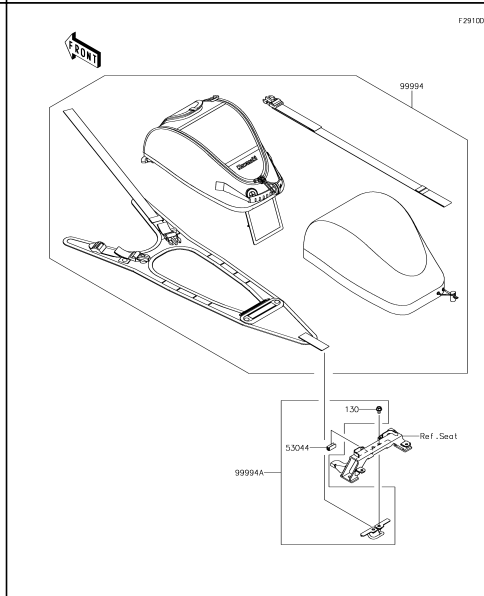
**67** Accessory(Radiator Screen)



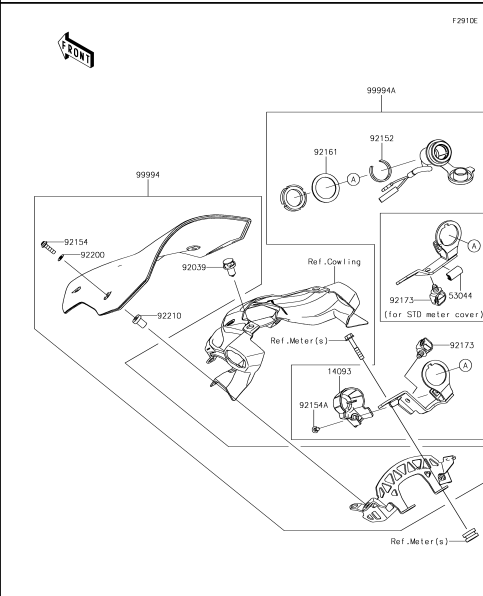
**68** Accessory(Engine Cover Ring)



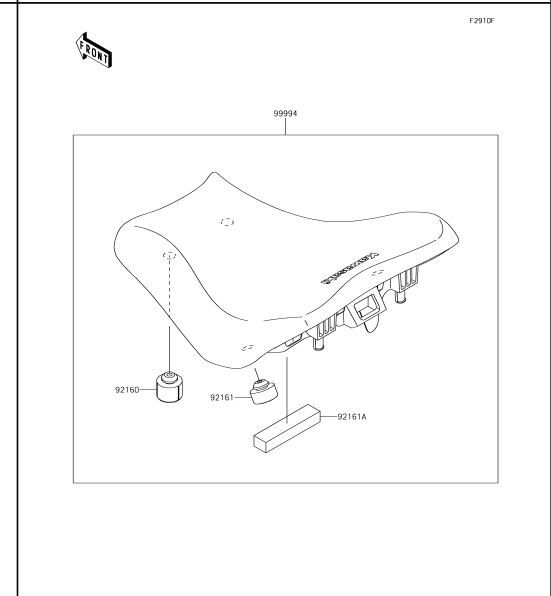
**69** Accessory(Slider)



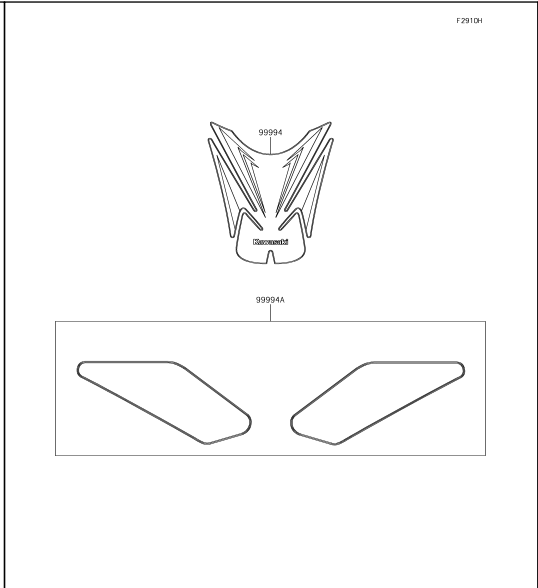
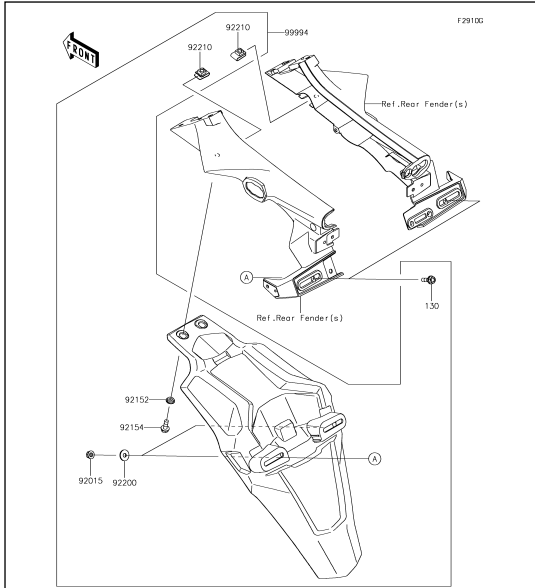
**70** Accessory(Tank Bag)



**71** Accessory(Large Meter Cover)



**72** Accessory(High Seat)

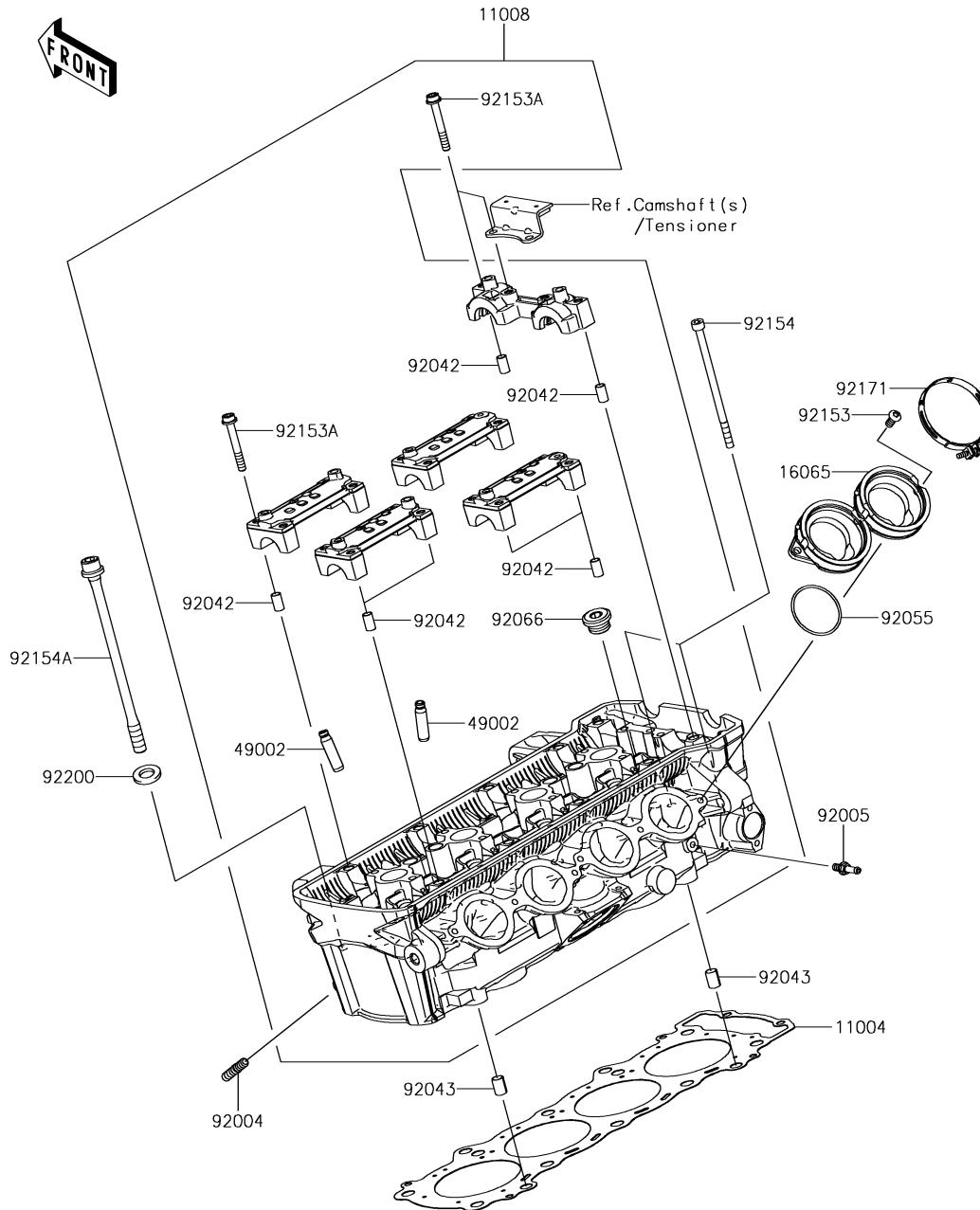


**73** Accessory(Extended Flap)

**74** Accessory(Pads)

E1111

# 1. Cylinder Head

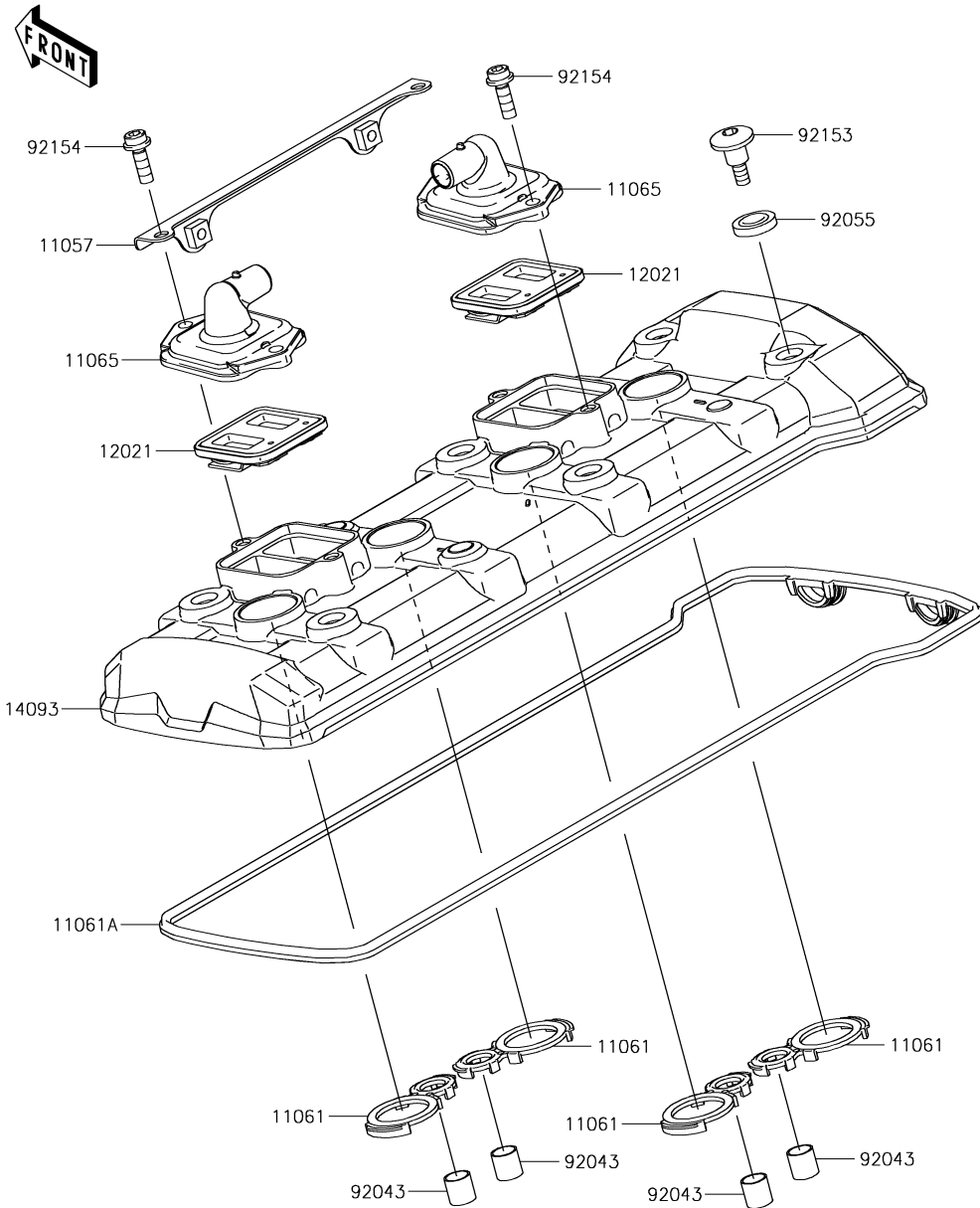


| Ref. No. | Part No. | Description | Spec Code | Quantity |  |  |  |
|----------|----------|-------------|-----------|----------|--|--|--|
|          |          |             |           | '18      |  |  |  |
|          |          |             |           | BJF      |  |  |  |

|        |            |                      |  |  |  |  |    |
|--------|------------|----------------------|--|--|--|--|----|
| 11004  | 11004-0769 | GASKET-HEAD          |  |  |  |  | 1  |
| 11008  | 11008-0888 | HEAD-COMP-CYLINDER   |  |  |  |  | 1  |
| 16065  | 16065-0132 | HOLDER-CARBURETOR    |  |  |  |  | 2  |
| 49002  | 49002-0009 | GUIDE-VALVE          |  |  |  |  | 16 |
| 92004  | 92004-0050 | STUD                 |  |  |  |  | 8  |
| 92005  | 92005-0826 | FITTING              |  |  |  |  | 1  |
| 92042  | 92042-007  | PIN,DOWEL,6.3X8X14   |  |  |  |  | 10 |
| 92043  | 92043-1264 | PIN,8.2X10X14        |  |  |  |  | 2  |
| 92055  | 92055-1536 | RING-O,42X1.9        |  |  |  |  | 4  |
| 92066  | 92066-0832 | PLUG,18X10           |  |  |  |  | 5  |
| 92153  | 92153-0406 | BOLT,TORX,6X14       |  |  |  |  | 6  |
| 92153A | 92153-0656 | BOLT,SOCKET,6X45     |  |  |  |  | 20 |
| 92154  | 92154-0205 | BOLT,SOCKET,6X115    |  |  |  |  | 2  |
| 92154A | 92154-2638 | BOLT,FLANGED,10X165  |  |  |  |  | 10 |
| 92171  | 92171-0729 | CLAMP,60MM           |  |  |  |  | 4  |
| 92200  | 92200-1691 | WASHER,10.2X18.4X1.8 |  |  |  |  | 10 |

E1112

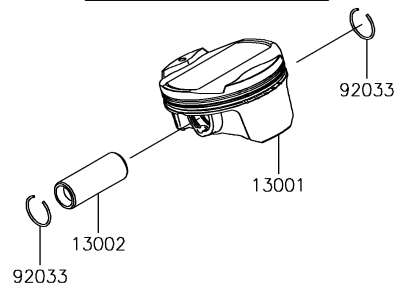
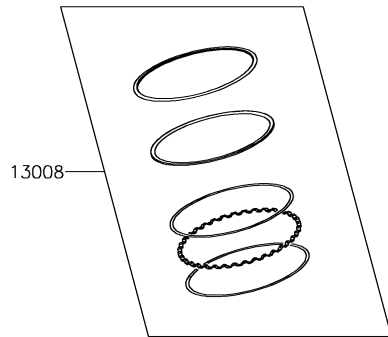
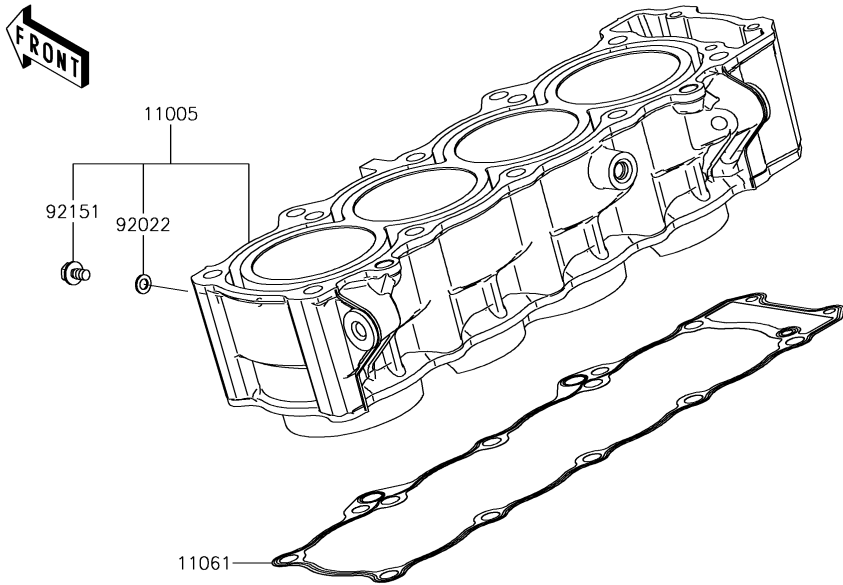
## 2. Cylinder Head Cover



| Ref. No. | Part No.   | Description        | Spec Code | Quantity |  |   |  |
|----------|------------|--------------------|-----------|----------|--|---|--|
|          |            |                    |           | '18      |  |   |  |
| 11057    | 11057-0299 | BRACKET,HEAT COVER |           |          |  | 1 |  |
| 11061    | 11061-1213 | GASKET,SPARK PLUG  |           |          |  | 4 |  |
| 11061A   | 11061-1214 | GASKET,HEAD        |           |          |  | 1 |  |
| 11065    | 11065-0328 | CAP,HEAD COVER     |           |          |  | 2 |  |
| 12021    | 12021-0016 | VALVE-ASSY-REED    |           |          |  | 2 |  |
| 14093    | 14093-0521 | COVER,HEAD         |           |          |  | 1 |  |
| 92043    | 92043-4009 | PIN,10.1X12X14     |           |          |  | 4 |  |
| 92055    | 92055-0785 | RING-O             |           |          |  | 6 |  |
| 92153    | 92153-1779 | BOLT,SOCKET,6X22.5 |           |          |  | 6 |  |
| 92154    | 92154-0351 | BOLT,SOCKET,6X18   |           |          |  | 4 |  |

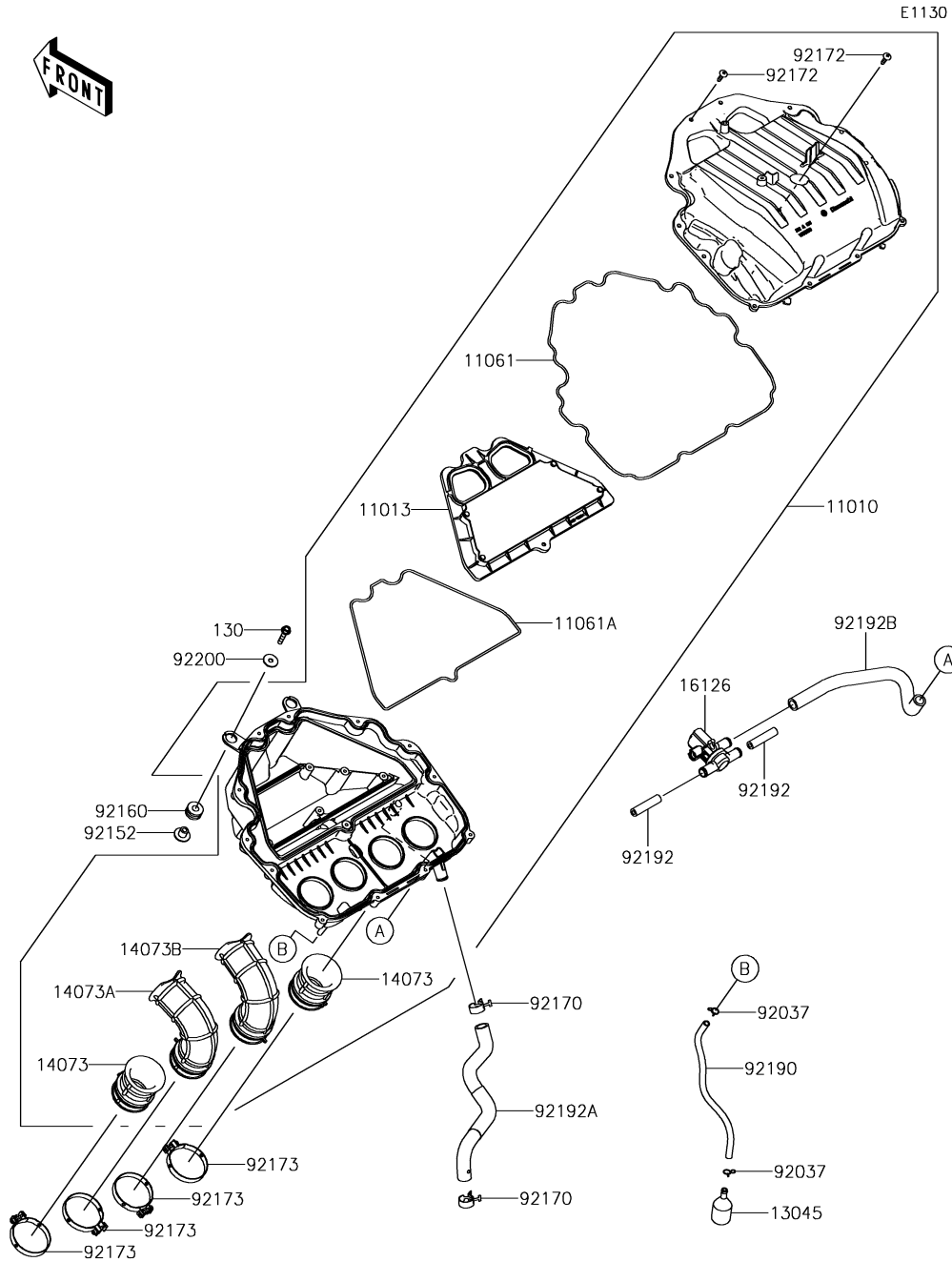
### 3. Cylinder/Piston(s)

E1120



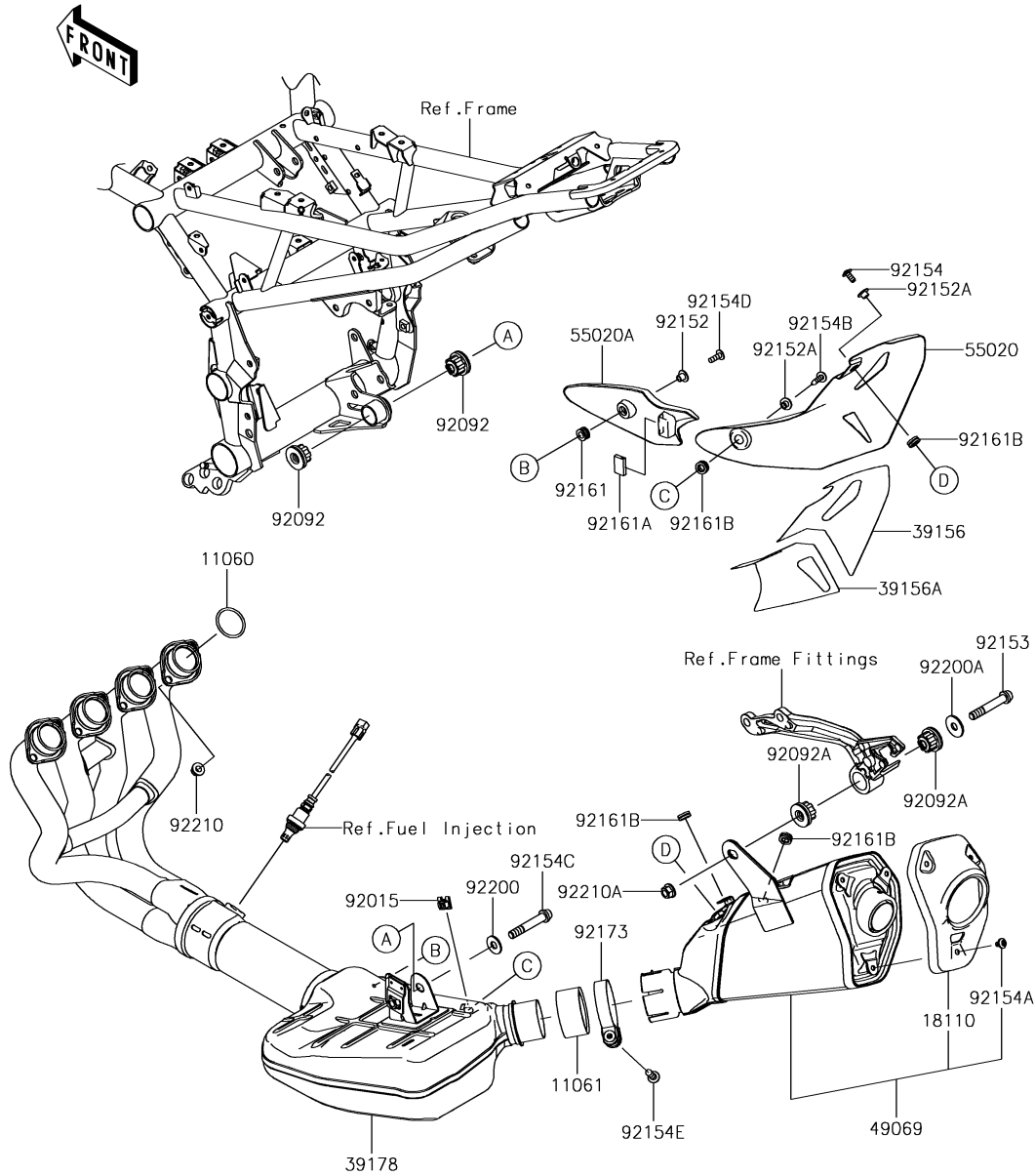
| Ref. No. | Part No.   | Description          | Spec Code | Quantity |  |  |   |
|----------|------------|----------------------|-----------|----------|--|--|---|
|          |            |                      |           | '18      |  |  |   |
| 11005    | 11005-0672 | CYLINDER-ENGINE      |           |          |  |  | 1 |
| 11061    | 11061-0402 | GASKET,CYLINDER BASE |           |          |  |  | 1 |
| 13001    | 13001-0788 | PISTON-ENGINE        |           |          |  |  | 4 |
| 13002    | 13002-0004 | PIN-PISTON           |           |          |  |  | 4 |
| 13008    | 13008-0571 | RING-SET-PISTON      |           |          |  |  | 4 |
| 92022    | 92022-304  | WASHER,6.2X11X1      |           |          |  |  | 1 |
| 92033    | 92033-1054 | RING-SNAP            |           |          |  |  | 8 |
| 92151    | 92151-1344 | BOLT,6X10            |           |          |  |  | 1 |

4. Air Cleaner



| Ref. No. | Part No.   | Description          | Spec Code | Quantity |    |  |  |
|----------|------------|----------------------|-----------|----------|----|--|--|
|          |            |                      |           | '18      |    |  |  |
|          |            |                      |           | BJJ      |    |  |  |
| 11010    | 11010-0878 | FILTER-ASSY-AIR      |           |          | 1  |  |  |
| 11013    | 11013-0760 | ELEMENT-AIR FILTER   |           |          | 1  |  |  |
| 11061    | 11061-1215 | GASKET,CASE          |           |          | 1  |  |  |
| 11061A   | 11061-1216 | GASKET,ELEMENT       |           |          | 1  |  |  |
| 13045    | 13045-1057 | RECEIVER-OIL         |           |          | 1  |  |  |
| 14073    | 14073-0852 | DUCT,#1,#4           |           |          | 2  |  |  |
| 14073A   | 14073-0853 | DUCT,#2              |           |          | 1  |  |  |
| 14073B   | 14073-0854 | DUCT,#3              |           |          | 1  |  |  |
| 16126    | 16126-0745 | VALVE,AIR SWITCHING  |           |          | 1  |  |  |
| 92037    | 92037-1712 | CLAMP                |           |          | 2  |  |  |
| 92152    | 92152-0547 | COLLAR,6.5X10.5X13.1 |           |          | 2  |  |  |
| 92160    | 92160-1162 | DAMPER               |           |          | 2  |  |  |
| 92170    | 92170-1060 | CLAMP                |           |          | 2  |  |  |
| 92172    | 92172-0483 | SCREW,TAPPING,5X20   |           |          | 13 |  |  |
| 92173    | 92173-0927 | CLAMP,58MM           |           |          | 4  |  |  |
| 92190    | 92190-1253 | TUBE,6X9X300         |           |          | 1  |  |  |
| 92192    | 92192-0843 | TUBE,HEAD-ASWV       |           |          | 2  |  |  |
| 92192A   | 92192-1692 | TUBE,BLOWBY          |           |          | 1  |  |  |
| 92192B   | 92192-1693 | TUBE,ASV-A/C         |           |          | 1  |  |  |
| 92200    | 92200-1087 | WASHER,6.5X22X1.6    |           |          | 2  |  |  |
| 130      | 130BB0630  | BOLT-FLANGED,6X30    |           |          | 2  |  |  |

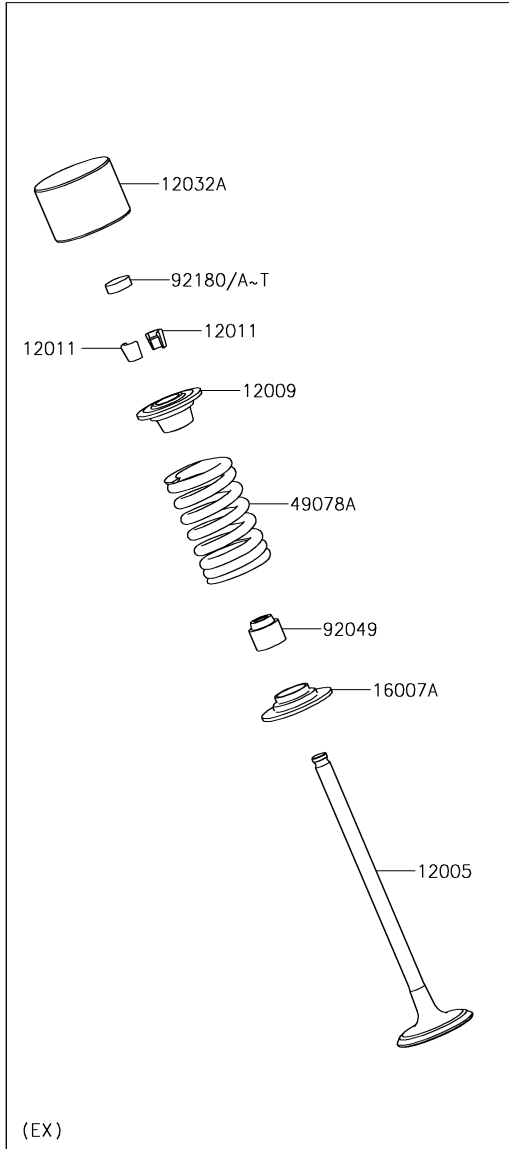
E1140



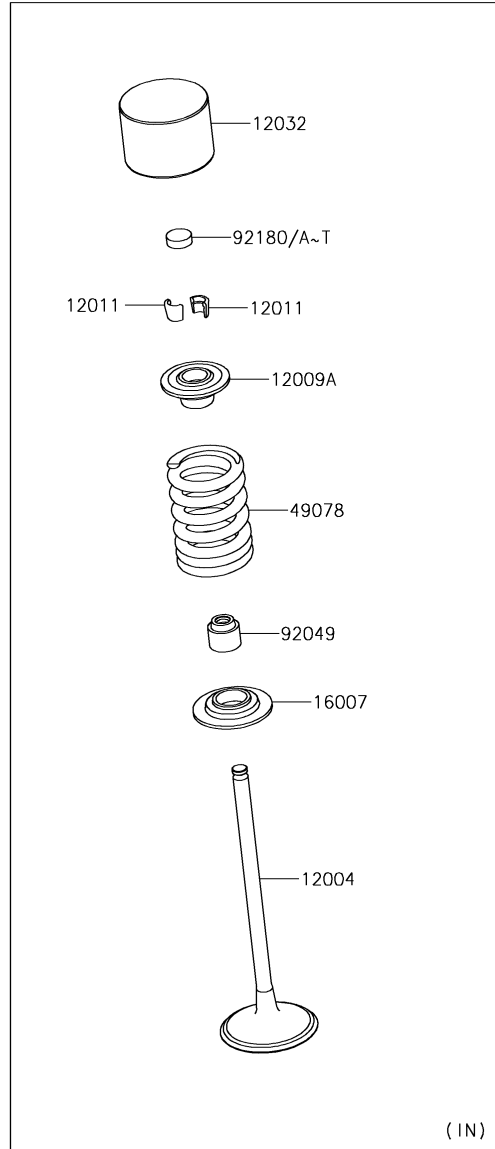
## 5. Muffler(s)

| Ref. No. | Part No.   | Description                | Spec Code | Quantity |   |  |  |
|----------|------------|----------------------------|-----------|----------|---|--|--|
|          |            |                            |           | '18      |   |  |  |
|          |            |                            |           | BJF      |   |  |  |
| 11060    | 11060-1103 | GASKET,EXHAUST PIPE HOLDER |           |          | 4 |  |  |
| 11061    | 11061-0447 | GASKET,50.8X62X30          |           |          | 1 |  |  |
| 18110    | 18110-0196 | BODY END-MUFFLER           |           |          | 1 |  |  |
| 39156    | 39156-2130 | PAD,MUFFLER GUARD          |           |          | 1 |  |  |
| 39156A   | 39156-2131 | PAD,MUFFLER GUARD          |           |          | 1 |  |  |
| 39178    | 39178-0264 | MANIFOLD-COMP-EXHAUST      |           |          | 1 |  |  |
| 49069    | 49069-0823 | MUFFLER-ASSY               |           |          | 1 |  |  |
| 55020    | 55020-1966 | GUARD,MUFFLER,RR           |           |          | 1 |  |  |
| 55020A   | 55020-1967 | GUARD,MUFFLER,FR           |           |          | 1 |  |  |
| 92015    | 92015-1487 | NUT                        |           |          | 1 |  |  |
| 92092    | 92092-1081 | BUSHING-RUBBER             |           |          | 2 |  |  |
| 92092A   | 92092-1087 | BUSHING-RUBBER,MUFFLER     |           |          | 2 |  |  |
| 92152    | 92152-0237 | COLLAR,6.3X8.3X9.2         |           |          | 1 |  |  |
| 92152A   | 92152-1602 | COLLAR,6.3X8.3X7.2         |           |          | 2 |  |  |
| 92153    | 92153-1837 | BOLT,SOCKET,10X60          |           |          | 1 |  |  |
| 92154    | 92154-0856 | BOLT,SOCKET,6X14           |           |          | 1 |  |  |
| 92154A   | 92154-0987 | BOLT,HEX HEAD,6X8          |           |          | 3 |  |  |
| 92154B   | 92154-1192 | BOLT,SOCKET,6X27           |           |          | 1 |  |  |
| 92154C   | 92154-1281 | BOLT,SOCKET                |           |          | 1 |  |  |
| 92154D   | 92154-2340 | BOLT,SOCKET,6X18           |           |          | 1 |  |  |
| 92154E   | 92154-2738 | BOLT-FLANGED-SMALL,8X40    |           |          | 1 |  |  |
| 92161    | 92161-0204 | DAMPER                     |           |          | 1 |  |  |
| 92161A   | 92161-1228 | DAMPER                     |           |          | 1 |  |  |
| 92161B   | 92161-1475 | DAMPER                     |           |          | 4 |  |  |
| 92173    | 92173-0284 | CLAMP,64.5MM               |           |          | 1 |  |  |
| 92200    | 92200-1377 | WASHER,10.5X25X2.0         |           |          | 1 |  |  |
| 92200A   | 92200-1849 | WASHER,10.5X30X2.3         |           |          | 1 |  |  |
| 92210    | 92210-0076 | NUT,8MM                    |           |          | 8 |  |  |
| 92210A   | 92210-1139 | NUT,LOCK,FLANGED,10MM      |           |          | 1 |  |  |

E1210



(EX)

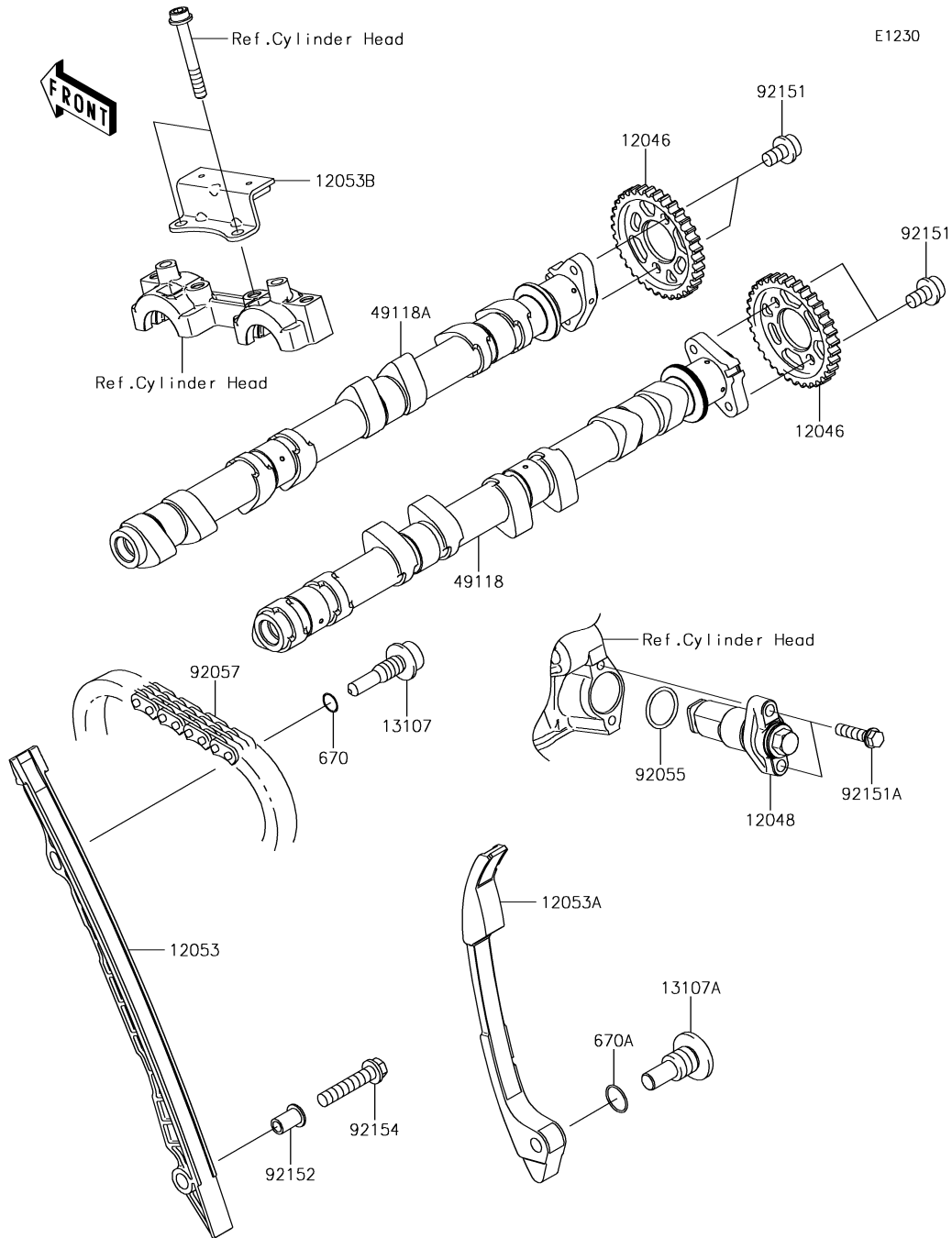


(IN)

## 6. Valve(s)

| Ref. No. | Part No.   | Description                  | Spec Code | Quantity |  |  |  |  |    |
|----------|------------|------------------------------|-----------|----------|--|--|--|--|----|
|          |            |                              |           | '18      |  |  |  |  |    |
|          |            |                              |           | BJF      |  |  |  |  |    |
| 12004    | 12004-0750 | VALVE-INTAKE                 |           |          |  |  |  |  | 8  |
| 12005    | 12005-0771 | VALVE-EXHAUST                |           |          |  |  |  |  | 8  |
| 12009    | 12009-0030 | RETAINER-VALVE SPRING        |           |          |  |  |  |  | 8  |
| 12009A   | 12009-1091 | RETAINER-VALVE SPRING        |           |          |  |  |  |  | 8  |
| 12011    | 12011-1053 | COLLET                       |           |          |  |  |  |  | 32 |
| 12032    | 12032-0009 | TAPPET                       |           |          |  |  |  |  | 8  |
| 12032A   | 12032-0018 | TAPPET                       |           |          |  |  |  |  | 8  |
| 16007    | 16007-0034 | SEAT-SPRING                  |           |          |  |  |  |  | 8  |
| 16007A   | 16007-1227 | SEAT-SPRING                  |           |          |  |  |  |  | 8  |
| 49078    | 49078-0073 | SPRING-ENGINE VALVE          |           |          |  |  |  |  | 8  |
| 49078A   | 49078-0743 | SPRING-ENGINE VALVE          |           |          |  |  |  |  | 8  |
| 92049    | 92049-1349 | SEAL-OIL,VSB 4.3 7.5 5.3 8.3 |           |          |  |  |  |  | 16 |
| 92180    | 92180-1014 | SHIM,T=2.50                  |           |          |  |  |  |  | 16 |
| 92180A   | 92180-1016 | SHIM,T=2.55                  |           |          |  |  |  |  | AR |
| 92180B   | 92180-1018 | SHIM,T=2.60                  |           |          |  |  |  |  | AR |
| 92180C   | 92180-1020 | SHIM,T=2.65                  |           |          |  |  |  |  | AR |
| 92180D   | 92180-1022 | SHIM,T=2.70                  |           |          |  |  |  |  | AR |
| 92180E   | 92180-1024 | SHIM,T=2.75                  |           |          |  |  |  |  | AR |
| 92180F   | 92180-1026 | SHIM,T=2.80                  |           |          |  |  |  |  | AR |
| 92180G   | 92180-1028 | SHIM,T=2.85                  |           |          |  |  |  |  | AR |
| 92180H   | 92180-1030 | SHIM,T=2.90                  |           |          |  |  |  |  | AR |
| 92180I   | 92180-1032 | SHIM,T=2.95                  |           |          |  |  |  |  | AR |
| 92180J   | 92180-1034 | SHIM,T=3.00                  |           |          |  |  |  |  | AR |
| 92180K   | 92180-1036 | SHIM,T=3.05                  |           |          |  |  |  |  | AR |
| 92180L   | 92180-1038 | SHIM,T=3.10                  |           |          |  |  |  |  | AR |
| 92180M   | 92180-1040 | SHIM,T=3.15                  |           |          |  |  |  |  | AR |
| 92180N   | 92180-1042 | SHIM,T=3.20                  |           |          |  |  |  |  | AR |
| 92180O   | 92180-1044 | SHIM,T=3.25                  |           |          |  |  |  |  | AR |
| 92180P   | 92180-1046 | SHIM,T=3.30                  |           |          |  |  |  |  | AR |
| 92180Q   | 92180-1048 | SHIM,T=3.35                  |           |          |  |  |  |  | AR |
| 92180R   | 92180-1050 | SHIM,T=3.40                  |           |          |  |  |  |  | AR |
| 92180S   | 92180-1052 | SHIM,T=3.45                  |           |          |  |  |  |  | AR |
| 92180T   | 92180-1054 | SHIM,T=3.50                  |           |          |  |  |  |  | AR |



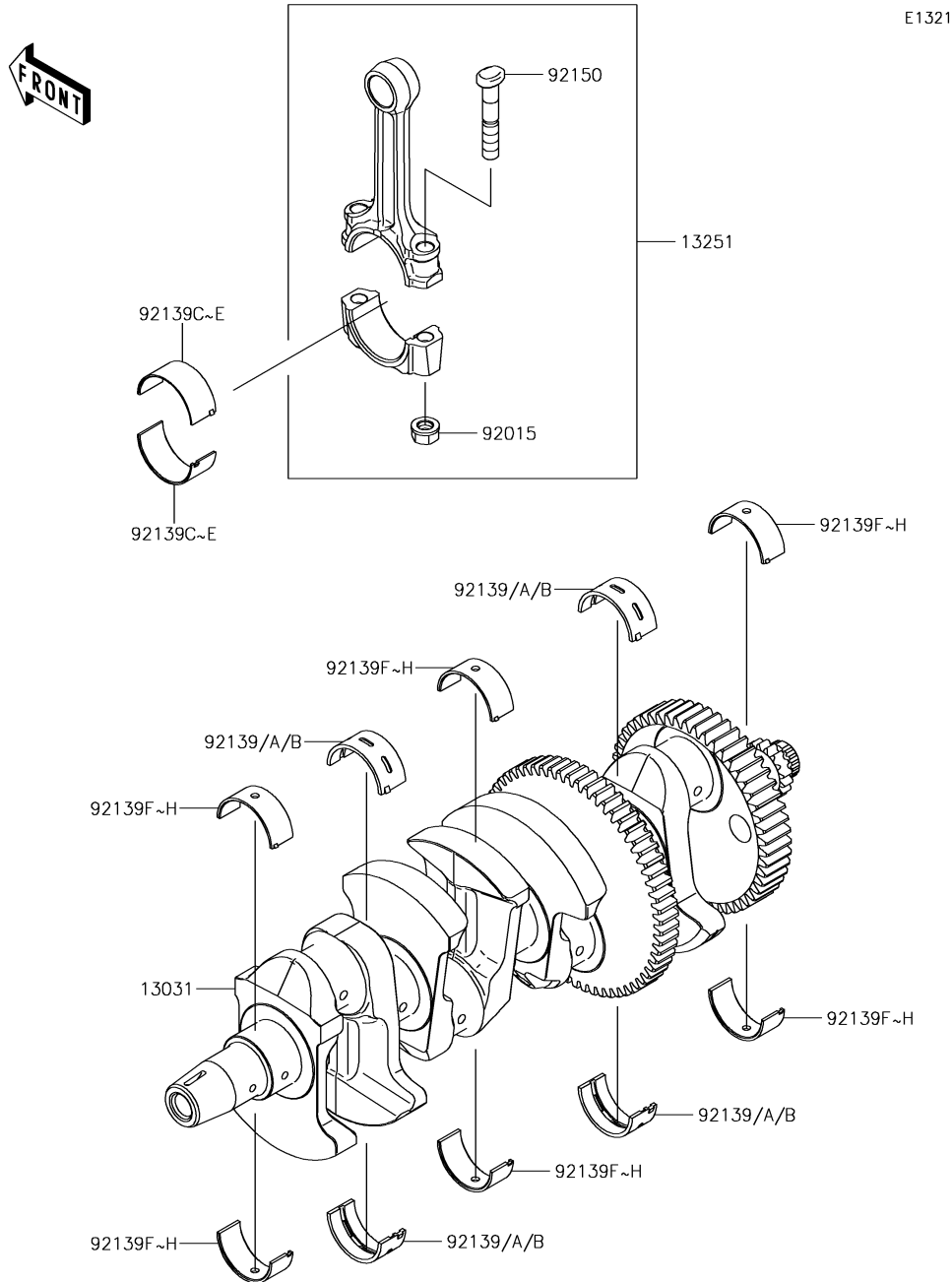


## 7. Camshaft(s)/Tensioner

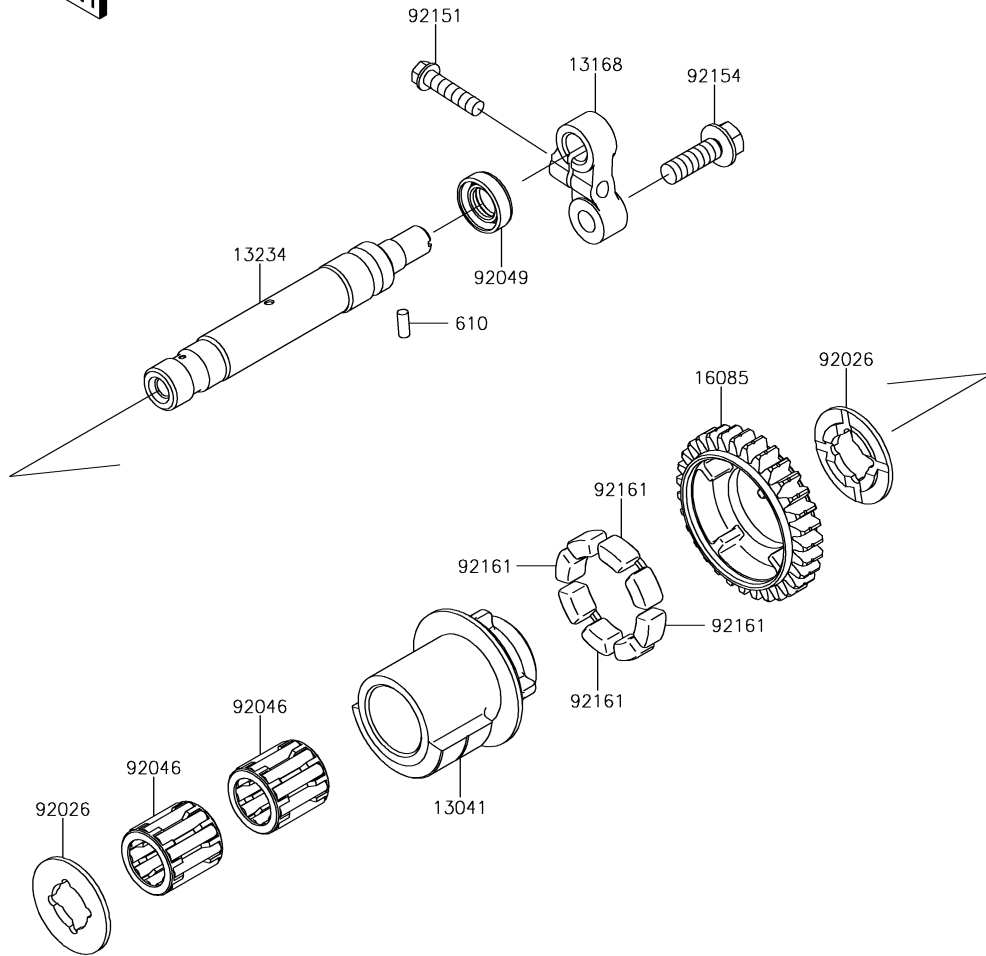
| Ref. No. | Part No.   | Description             | Spec Code | Quantity |   |  |  |
|----------|------------|-------------------------|-----------|----------|---|--|--|
|          |            |                         |           | '18      |   |  |  |
|          |            |                         |           | BJF      |   |  |  |
| 12046    | 12046-0564 | SPROCKET,CAMSHAFT,34T   |           |          | 2 |  |  |
| 12048    | 12048-0080 | TENSIONER-ASSY          |           |          | 1 |  |  |
| 12053    | 12053-0161 | GUIDE-CHAIN,FR          |           |          | 1 |  |  |
| 12053A   | 12053-0162 | GUIDE-CHAIN,RR          |           |          | 1 |  |  |
| 12053B   | 12053-0163 | GUIDE-CHAIN,UPP         |           |          | 1 |  |  |
| 13107    | 13107-0157 | SHAFT,CHAIN GUIDE       |           |          | 1 |  |  |
| 13107A   | 13107-1376 | SHAFT                   |           |          | 1 |  |  |
| 49118    | 49118-0941 | CAMSHAFT-COMP,INTAKE    |           |          | 1 |  |  |
| 49118A   | 49118-0942 | CAMSHAFT-COMP,EXHAUST   |           |          | 1 |  |  |
| 92055    | 92055-086  | RING-O,18.8X1.9         |           |          | 1 |  |  |
| 92057    | 92057-0202 | CHAIN,98XRH2015-126M    |           |          | 1 |  |  |
| 92151    | 92151-1829 | BOLT,SOCKET,6X10        |           |          | 4 |  |  |
| 92151A   | 92151-1930 | BOLT,FLANGED-SMALL,6X25 |           |          | 2 |  |  |
| 92152    | 92152-1167 | COLLAR                  |           |          | 1 |  |  |
| 92154    | 92154-1942 | BOLT,FLANGED,6X30       |           |          | 1 |  |  |
| 670      | 670D1509   | O RING,9MM              |           |          | 1 |  |  |
| 670A     | 670D2014   | O RING,14MM             |           |          | 1 |  |  |

8. Crankshaft

| Ref. No. | Part No.      | Description                  | Spec Code | Quantity |    |  |  |
|----------|---------------|------------------------------|-----------|----------|----|--|--|
|          |               |                              |           | '18      |    |  |  |
|          |               |                              |           | BJF      |    |  |  |
| 13031    | 13031-0851    | CRANKSHAFT-COMP              |           |          | 1  |  |  |
| 13251    | 13251-0726-II | ROD-ASSY-CONNECTING,II       |           |          | 4  |  |  |
| 92015    | 92015-1311    | NUT,FLANGED,8MM              |           |          | 8  |  |  |
| 92139    | 92139-0032    | BUSHING,CRANK #2&#4,BLUE     |           |          | AR |  |  |
| 92139A   | 92139-0033    | BUSHING,CRANK #2&#4,BLACK    |           |          | 4  |  |  |
| 92139B   | 92139-0034    | BUSHING,CRANK #2&#4,BROWN    |           |          | AR |  |  |
| 92139C   | 92139-0122    | BUSHING,CRANK PIN,BLUE       |           |          | AR |  |  |
| 92139D   | 92139-0123    | BUSHING,CRANK PIN,BLACK      |           |          | 8  |  |  |
| 92139E   | 92139-0124    | BUSHING,CRANK PIN,BROWN      |           |          | AR |  |  |
| 92139F   | 92139-0217    | BUSHING,CRANK,#1&#3&#5,BLUE  |           |          | AR |  |  |
| 92139G   | 92139-0218    | BUSHING,CRANK,#1&#3&#5,BLACK |           |          | 6  |  |  |
| 92139H   | 92139-0219    | BUSHING,CRANK,#1&#3&#5,BROWN |           |          | AR |  |  |
| 92150    | 92150-1216    | BOLT,CONNECTING ROD,8MM      |           |          | 8  |  |  |



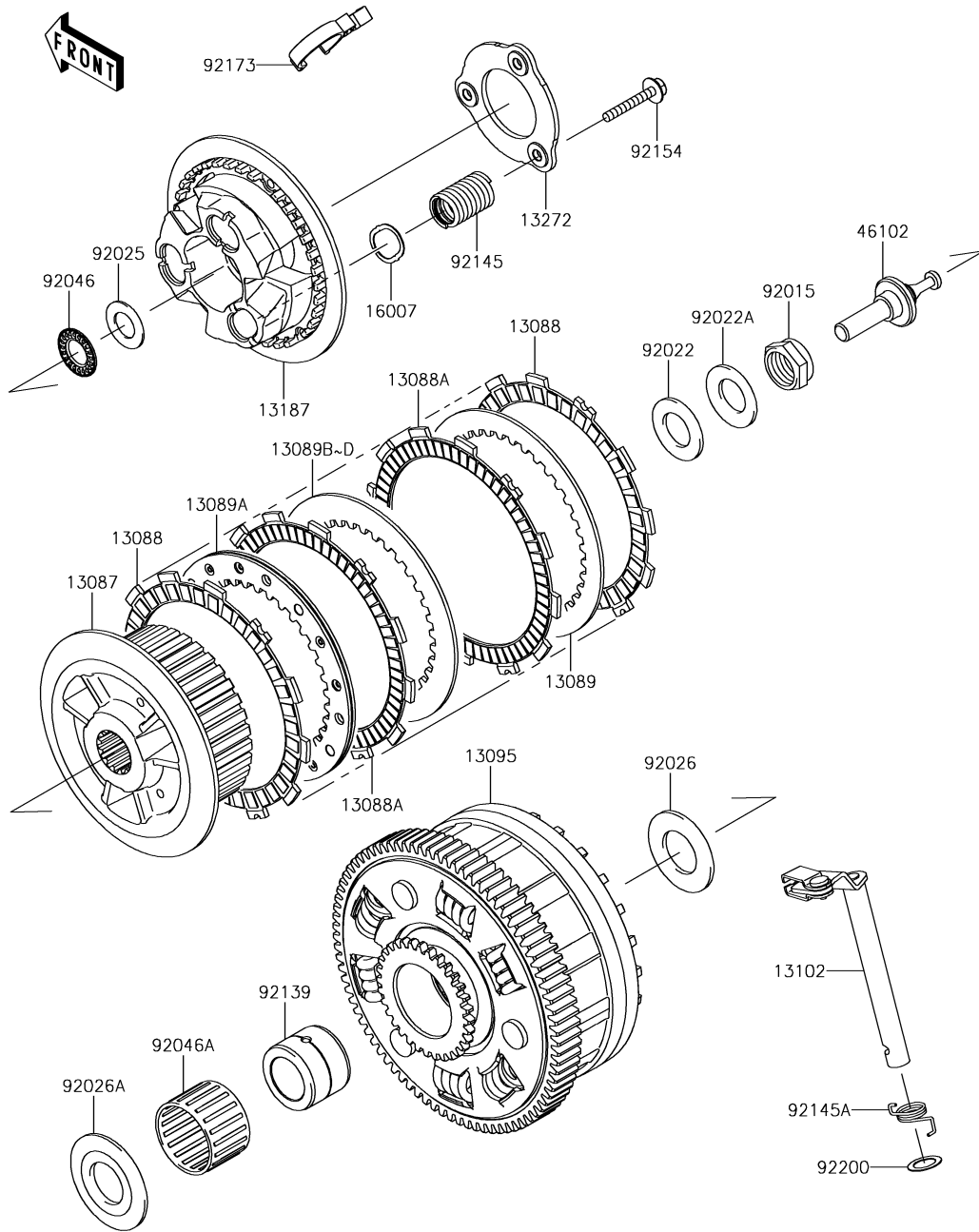
E1323



## 9. Balancer

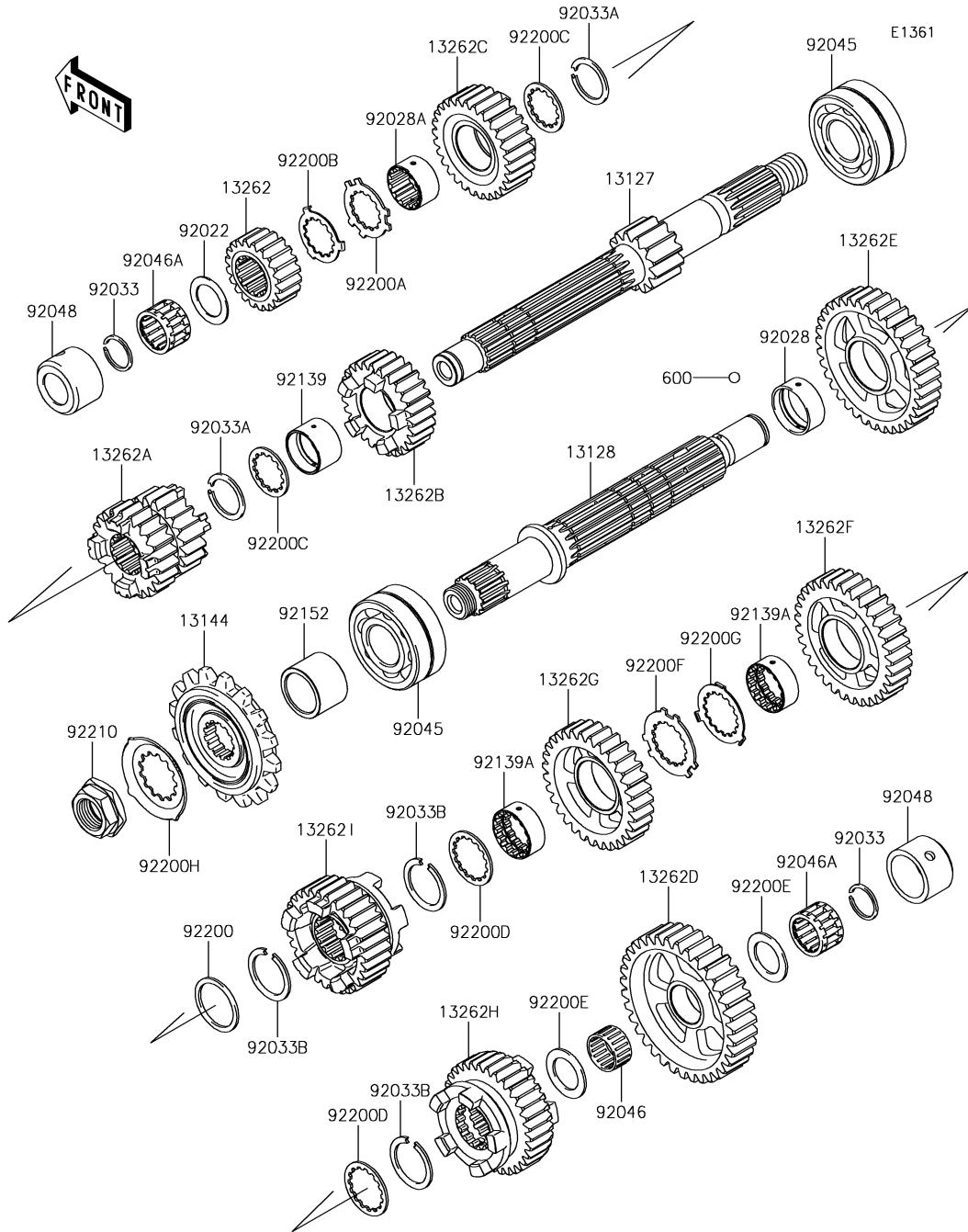
| Ref. No. | Part No.   | Description             | Spec Code | Quantity |  |  |  |  |   |
|----------|------------|-------------------------|-----------|----------|--|--|--|--|---|
|          |            |                         |           | '18      |  |  |  |  |   |
|          |            |                         |           | BJF      |  |  |  |  |   |
| 13041    | 13041-0559 | BALANCER                |           |          |  |  |  |  | 1 |
| 13168    | 13168-0115 | LEVER                   |           |          |  |  |  |  | 1 |
| 13234    | 13234-0038 | SHAFT-COMP              |           |          |  |  |  |  | 1 |
| 16085    | 16085-0134 | GEAR,BALANCER,31T       |           |          |  |  |  |  | 1 |
| 92026    | 92026-0082 | SPACER                  |           |          |  |  |  |  | 2 |
| 92046    | 92046-1266 | BEARING-NEEDLE          |           |          |  |  |  |  | 2 |
| 92049    | 92049-2204 | SEAL-OIL,TC 12X22X7     |           |          |  |  |  |  | 1 |
| 92151    | 92151-1930 | BOLT,FLANGED-SMALL,6X25 |           |          |  |  |  |  | 1 |
| 92154    | 92154-0413 | BOLT,FLANGED,8X25       |           |          |  |  |  |  | 1 |
| 92161    | 92161-1055 | DAMPER                  |           |          |  |  |  |  | 4 |
| 610      | 610A0410   | ROLLER,4X10             |           |          |  |  |  |  | 1 |

E1350



## 10. Clutch

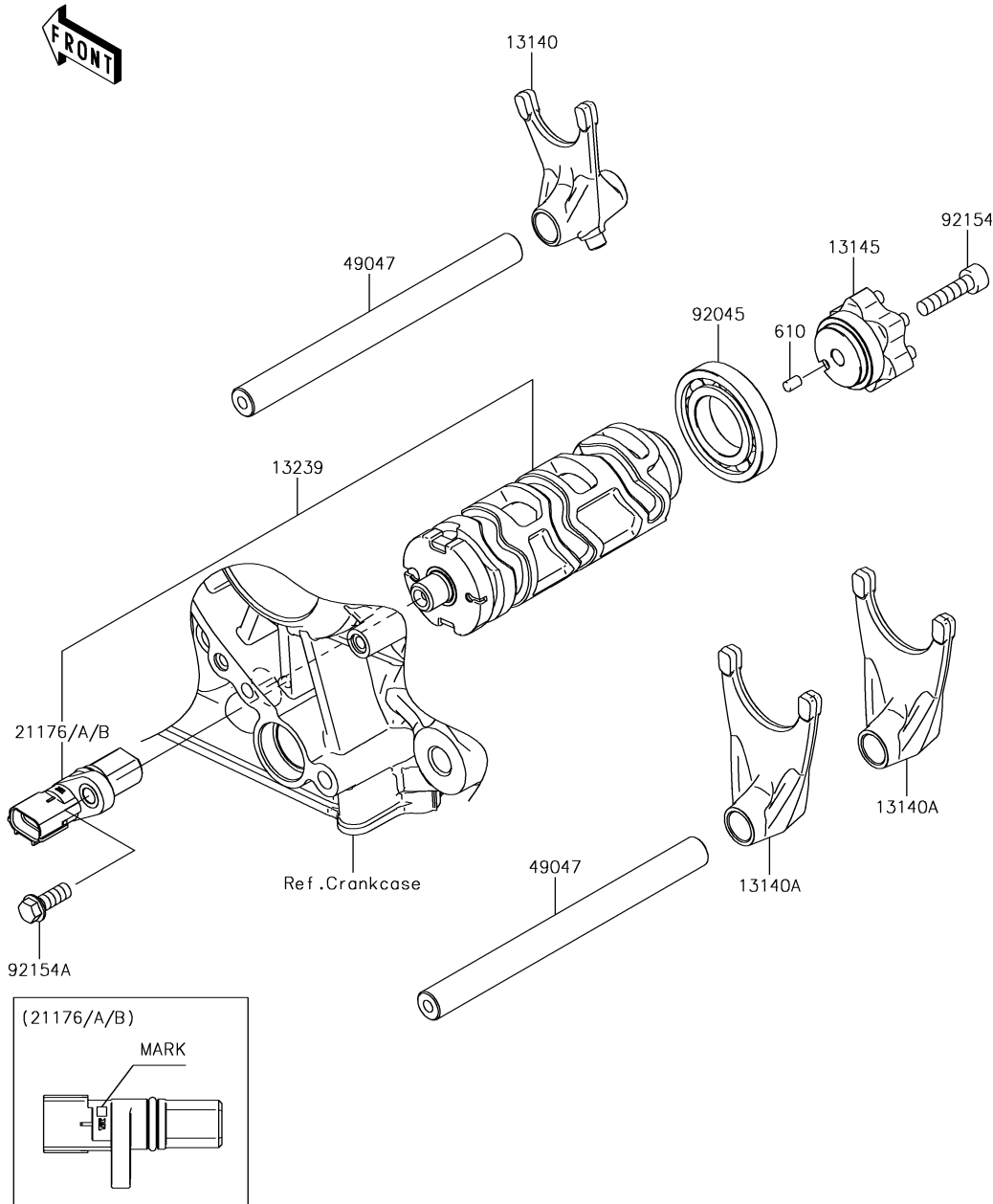
| Ref. No. | Part No.   | Description                 | Spec Code | Quantity |    |  |  |
|----------|------------|-----------------------------|-----------|----------|----|--|--|
|          |            |                             |           | '18      |    |  |  |
|          |            |                             |           | BJJ      |    |  |  |
| 13087    | 13087-0583 | HUB-CLUTCH                  |           |          | 1  |  |  |
| 13088    | 13088-0568 | PLATE-FRICTION              |           |          | 2  |  |  |
| 13088A   | 13088-0588 | PLATE-FRICTION,T=2.8        |           |          | 7  |  |  |
| 13089    | 13089-0023 | PLATE-CLUTCH,T=2.3          |           |          | 1  |  |  |
| 13089A   | 13089-0024 | PLATE-CLUTCH,SPG COMP       |           |          | 1  |  |  |
| 13089B   | 13089-1073 | PLATE-CLUTCH,T=2.0          |           |          | AR |  |  |
| 13089C   | 13089-1084 | PLATE-CLUTCH,T=2.3          |           |          | 6  |  |  |
| 13089D   | 13089-1115 | PLATE-CLUTCH,T=2.6          |           |          | AR |  |  |
| 13095    | 13095-0118 | HOUSING-COMP-CLUTCH         |           |          | 1  |  |  |
| 13102    | 13102-0072 | RELEASE-COMP-CLUTCH         |           |          | 1  |  |  |
| 13187    | 13187-0031 | PLATE-CLUTCH OPERATING      |           |          | 1  |  |  |
| 13272    | 13272-1413 | PLATE                       |           |          | 1  |  |  |
| 16007    | 16007-0711 | SEAT-SPRING                 |           |          | 3  |  |  |
| 46102    | 46102-0621 | ROD                         |           |          | 1  |  |  |
| 92015    | 92015-1555 | NUT,20MM                    |           |          | 1  |  |  |
| 92022    | 92022-1116 | WASHER,20.3X36X2.3          |           |          | 1  |  |  |
| 92022A   | 92022-1868 | WASHER,20.3X36X3.7          |           |          | 1  |  |  |
| 92025    | 92025-1137 | SHIM,15.3X27.5X1.20         |           |          | 1  |  |  |
| 92026    | 92026-022  | SPACER,25.5X47X2.5          |           |          | 1  |  |  |
| 92026A   | 92026-1497 | SPACER                      |           |          | 1  |  |  |
| 92046    | 92046-1052 | BEARING-NEEDLE,AXK1102      |           |          | 1  |  |  |
| 92046A   | 92046-1263 | BEARING-NEEDLE,K38X43X28.8X |           |          | 1  |  |  |
| 92139    | 92139-0067 | BUSHING,25X38X29.05         |           |          | 1  |  |  |
| 92145    | 92145-1745 | SPRING                      |           |          | 3  |  |  |
| 92145A   | 92145-1769 | SPRING,RELEASE-COMP         |           |          | 1  |  |  |
| 92154    | 92154-1116 | BOLT,FLANGED,6X35           |           |          | 3  |  |  |
| 92173    | 92173-1724 | CLAMP                       |           |          | 1  |  |  |
| 92200    | 92200-1487 | WASHER,12X18.5X0.5          |           |          | 1  |  |  |



## 11. Transmission

| Ref. No. | Part No.   | Description                  | Spec Code | Quantity |   |  |  |
|----------|------------|------------------------------|-----------|----------|---|--|--|
|          |            |                              |           | '18      |   |  |  |
|          |            |                              |           | BJF      |   |  |  |
| 13127    | 13127-0674 | SHAFT-TRANSMISSION INPUT,13T |           |          | 1 |  |  |
| 13128    | 13128-0698 | SHAFT-TRANSMISSION OUTPUT    |           |          | 1 |  |  |
| 13144    | 13144-0579 | SPROCKET-OUTPUT,15T          |           |          | 1 |  |  |
| 13262    | 13262-1233 | GEAR,INPUT 2ND,17T           |           |          | 1 |  |  |
| 13262A   | 13262-1234 | GEAR,INPUT 3RD&4TH,20T&22T   |           |          | 1 |  |  |
| 13262B   | 13262-1235 | GEAR,INPUT 5TH,27T           |           |          | 1 |  |  |
| 13262C   | 13262-1236 | GEAR,INPUT 6TH,29T           |           |          | 1 |  |  |
| 13262D   | 13262-1237 | GEAR,OUTPUT LOW,35T          |           |          | 1 |  |  |
| 13262E   | 13262-1238 | GEAR,OUTPUT 2ND,35T          |           |          | 1 |  |  |
| 13262F   | 13262-1239 | GEAR,OUTPUT 3RD,33T          |           |          | 1 |  |  |
| 13262G   | 13262-1240 | GEAR,OUTPUT 4TH,31T          |           |          | 1 |  |  |
| 13262H   | 13262-1241 | GEAR,OUTPUT 5TH,33T          |           |          | 1 |  |  |
| 13262I   | 13262-1242 | GEAR,OUTPUT 6TH,30T          |           |          | 1 |  |  |
| 92022    | 92022-112  | WASHER,20.5X30X1,STEEL       |           |          | 1 |  |  |
| 92028    | 92028-1739 | BUSHING,OUTPUT,2ND           |           |          | 1 |  |  |
| 92028A   | 92028-1915 | BUSHING,INPUT TOP GEAR       |           |          | 1 |  |  |
| 92033    | 92033-015  | RING-SNAP,20MM               |           |          | 2 |  |  |
| 92033A   | 92033-026  | RING-SNAP,24MM               |           |          | 2 |  |  |
| 92033B   | 92033-1249 | RING-SNAP,T=1.5              |           |          | 3 |  |  |
| 92045    | 92045-0003 | BEARING-BALL,DAC2557NSSH     |           |          | 2 |  |  |
| 92046    | 92046-1219 | BEARING-NEEDLE,K20X24X13     |           |          | 1 |  |  |
| 92046A   | 92046-1303 | BEARING-NEEDLE,PK20X27X17X3  |           |          | 2 |  |  |
| 92048    | 92048-0016 | RACE                         |           |          | 2 |  |  |
| 92139    | 92139-0280 | BUSHING,25X28X17.8           |           |          | 1 |  |  |
| 92139A   | 92139-0281 | BUSHING,OUTPUT,3RD&4TH       |           |          | 2 |  |  |
| 92152    | 92152-2263 | COLLAR,SPROCKET              |           |          | 1 |  |  |
| 92200    | 92200-0228 | WASHER,28.1X34.0X1.6         |           |          | 1 |  |  |
| 92200A   | 92200-0520 | WASHER,25.2X34.2X1.5         |           |          | 1 |  |  |
| 92200B   | 92200-0521 | WASHER,25.2X32X1             |           |          | 1 |  |  |
| 92200C   | 92200-1239 | WASHER,25.2X31.0X1.5         |           |          | 2 |  |  |
| 92200D   | 92200-1240 | WASHER,28.5X34.0X1.5         |           |          | 2 |  |  |
| 92200E   | 92200-1375 | WASHER,20.5X31X1.5           |           |          | 2 |  |  |
| 92200F   | 92200-1522 | WASHER,25.8X40.5X1.5         |           |          | 1 |  |  |
| 92200G   | 92200-1523 | WASHER,25.2X37.0X1.0         |           |          | 1 |  |  |
| 92200H   | 92200-1720 | WASHER                       |           |          | 1 |  |  |
| 92210    | 92210-0850 | NUT,20MM                     |           |          | 1 |  |  |
| 600      | 600A0500   | BALL-STEEL,5/32              |           |          | 3 |  |  |

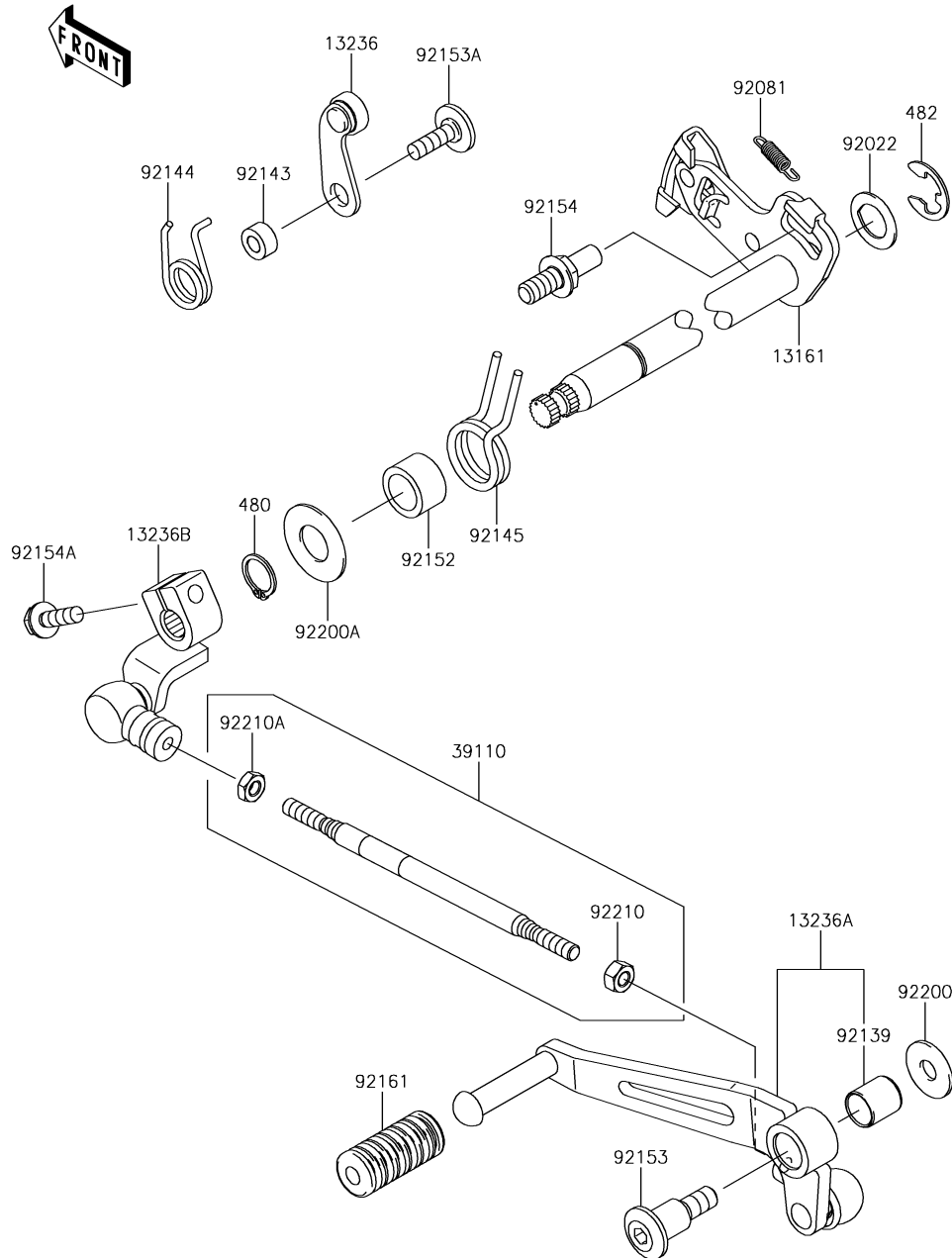
E1362



## 12. Gear Change Drum/Shift Fork(s)

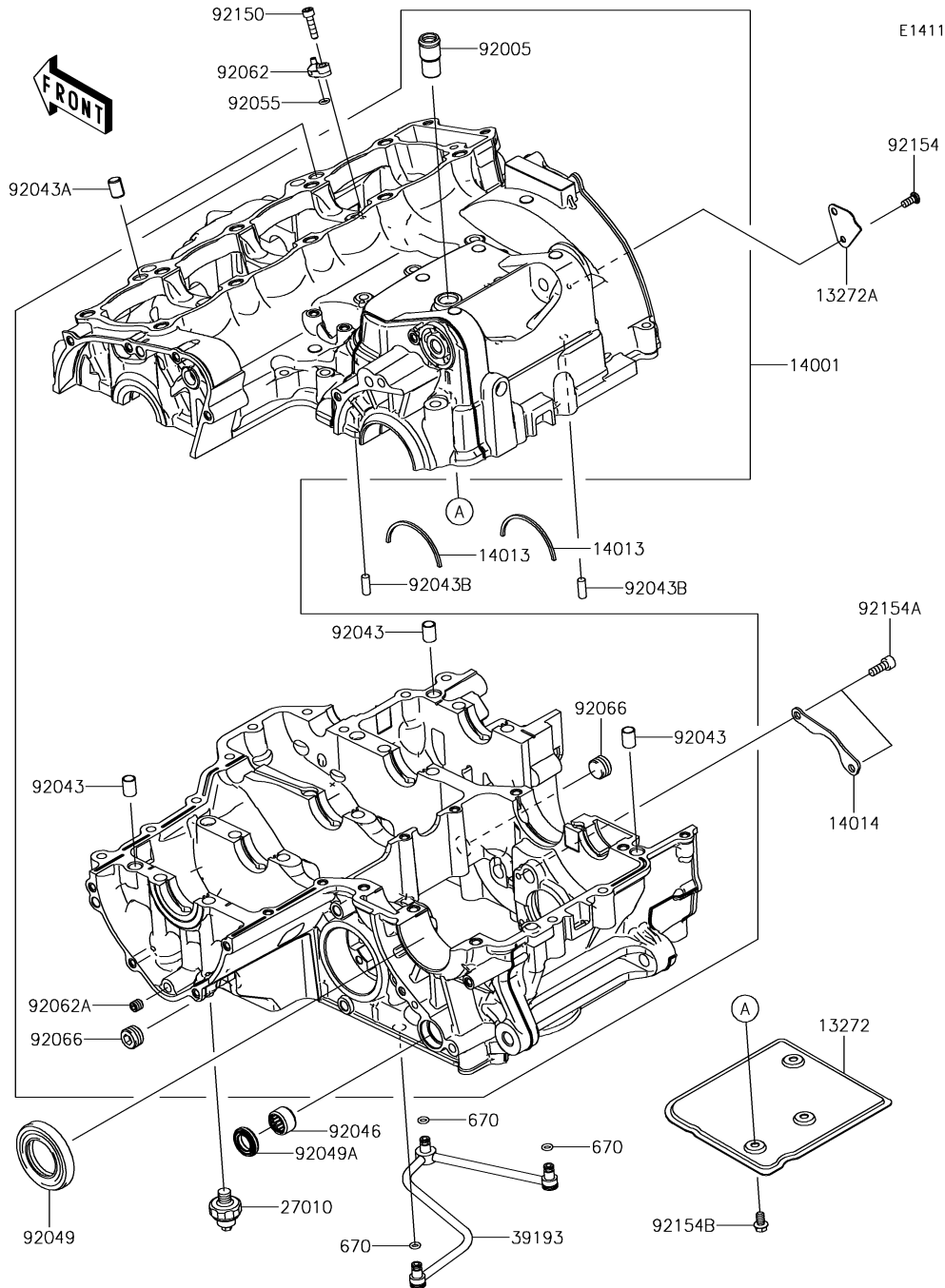
| Ref. No. | Part No.   | Description                 | Spec Code | Quantity |  |  |   |
|----------|------------|-----------------------------|-----------|----------|--|--|---|
|          |            |                             |           | '18      |  |  |   |
|          |            |                             |           | BJF      |  |  |   |
| 13140    | 13140-0061 | FORK-SHIFT                  |           |          |  |  | 1 |
| 13140A   | 13140-0062 | FORK-SHIFT                  |           |          |  |  | 2 |
| 13145    | 13145-0568 | CAM-CHANGE DRUM             |           |          |  |  | 1 |
| 13239    | 13239-0581 | DRUM-ASSY-CHANGE            |           |          |  |  | 1 |
| 21176    | 21176-0825 | SENSOR,GEAR POSITION,M MARK |           |          |  |  | 1 |
| 21176A   | 21176-0845 | SENSOR,GEAR POSITION,H MARK |           |          |  |  | 1 |
| 21176B   | 21176-0846 | SENSOR,GEAR POSITION,L MARK |           |          |  |  | 1 |
| 49047    | 49047-0023 | ROD-SHIFT                   |           |          |  |  | 2 |
| 92045    | 92045-1045 | BEARING-BALL,16005          |           |          |  |  | 1 |
| 92154    | 92154-0477 | BOLT,SOCKET,6X25            |           |          |  |  | 1 |
| 92154A   | 92154-2096 | BOLT,FLANGED,6X16           |           |          |  |  | 1 |
| 610      | 610A0406   | ROLLER,4X6                  |           |          |  |  | 1 |

E1370



### 13. Gear Change Mechanism

| Ref. No. | Part No.   | Description             | Spec Code | Quantity |  |  |   |
|----------|------------|-------------------------|-----------|----------|--|--|---|
|          |            |                         |           | '18      |  |  |   |
|          |            |                         |           | BJF      |  |  |   |
| 13161    | 13161-0592 | LEVER-COMP-CHANGE SHAFT |           |          |  |  | 1 |
| 13236    | 13236-0068 | LEVER-COMP              |           |          |  |  | 1 |
| 13236A   | 13236-0783 | LEVER-COMP,CHANGE PEDAL |           |          |  |  | 1 |
| 13236B   | 13236-0784 | LEVER-COMP,ENGINE SIDE  |           |          |  |  | 1 |
| 39110    | 39110-0033 | ROD-ASSY-TIE            |           |          |  |  | 1 |
| 92022    | 92022-1628 | WASHER,CHANGE SHAFT     |           |          |  |  | 1 |
| 92081    | 92081-1708 | SPRING,PAWL RETURN      |           |          |  |  | 1 |
| 92139    | 92139-0023 | BUSHING                 |           |          |  |  | 1 |
| 92143    | 92143-1595 | COLLAR                  |           |          |  |  | 1 |
| 92144    | 92144-1523 | SPRING,GEAR POSITION    |           |          |  |  | 1 |
| 92145    | 92145-1122 | SPRING                  |           |          |  |  | 1 |
| 92152    | 92152-1383 | COLLAR,14.2X19.9X12.0   |           |          |  |  | 1 |
| 92153    | 92153-0446 | BOLT,SOCKET,8X16.7      |           |          |  |  | 1 |
| 92153A   | 92153-1505 | BOLT,6X20               |           |          |  |  | 1 |
| 92154    | 92154-1838 | BOLT,RETURN SPRING      |           |          |  |  | 1 |
| 92154A   | 92154-2090 | BOLT,FLANGED,6X20       |           |          |  |  | 1 |
| 92161    | 92161-1300 | DAMPER,CHANGE PEDAL     |           |          |  |  | 1 |
| 92200    | 92200-0174 | WASHER,8.0X22.0X1.5     |           |          |  |  | 1 |
| 92200A   | 92200-0265 | WASHER                  |           |          |  |  | 1 |
| 92210    | 92210-1100 | NUT,6MM                 |           |          |  |  | 1 |
| 92210A   | 92210-1101 | NUT,LEFT HANDED,6MM     |           |          |  |  | 1 |
| 480      | 480J1400   | CIRCLIP-TYPE-C,14MM     |           |          |  |  | 1 |
| 482      | 482J0200   | CIRCLIP-TYPE-E,12MM     |           |          |  |  | 1 |



## 14. Crankcase

| Ref. No. | Part No.   | Description             | Spec Code | Quantity |   |  |  |
|----------|------------|-------------------------|-----------|----------|---|--|--|
|          |            |                         |           | '18      |   |  |  |
|          |            |                         |           | BJF      |   |  |  |
| 13272    | 13272-0698 | PLATE,BREATHER,UPP      |           |          | 1 |  |  |
| 13272A   | 13272-0699 | PLATE,BREATHER,SIDE     |           |          | 1 |  |  |
| 14001    | 14001-0668 | SET-CRANKCASE           |           |          | 1 |  |  |
| 14013    | 14013-1051 | RING-POSITION           |           |          | 2 |  |  |
| 14014    | 14014-0036 | PLATE-POSITION          |           |          | 1 |  |  |
| 27010    | 27010-1313 | SWITCH,OIL PRESSURE     |           |          | 1 |  |  |
| 39193    | 39193-0054 | PIPE-OIL                |           |          | 1 |  |  |
| 92005    | 92005-1238 | FITTING,BREATHER        |           |          | 1 |  |  |
| 92043    | 92043-1037 | PIN,DOWEL,10X14         |           |          | 3 |  |  |
| 92043A   | 92043-1264 | PIN,8.2X10X14           |           |          | 2 |  |  |
| 92043B   | 92043-1690 | PIN,6X16                |           |          | 2 |  |  |
| 92046    | 92046-0043 | BEARING-NEEDLE,HK1412FM |           |          | 1 |  |  |
| 92049    | 92049-1474 | SEAL-OIL,TC32578        |           |          | 1 |  |  |
| 92049A   | 92049-1520 | SEAL-OIL,TC14245        |           |          | 1 |  |  |
| 92055    | 92055-1339 | RING-O,5.5X1.5          |           |          | 1 |  |  |
| 92062    | 92062-0040 | NOZZLE,OIL JET          |           |          | 1 |  |  |
| 92062A   | 92062-0046 | NOZZLE                  |           |          | 1 |  |  |
| 92066    | 92066-0836 | PLUG                    |           |          | 2 |  |  |
| 92150    | 92150-1019 | BOLT,SOCKET,5X20        |           |          | 1 |  |  |
| 92154    | 92154-0299 | BOLT,TORX,5X12          |           |          | 1 |  |  |
| 92154A   | 92154-0484 | BOLT,SOCKET,6X16        |           |          | 2 |  |  |
| 92154B   | 92154-1887 | BOLT,FLANGED,6X10       |           |          | 3 |  |  |
| 670      | 670D1505   | O RING                  |           |          | 3 |  |  |

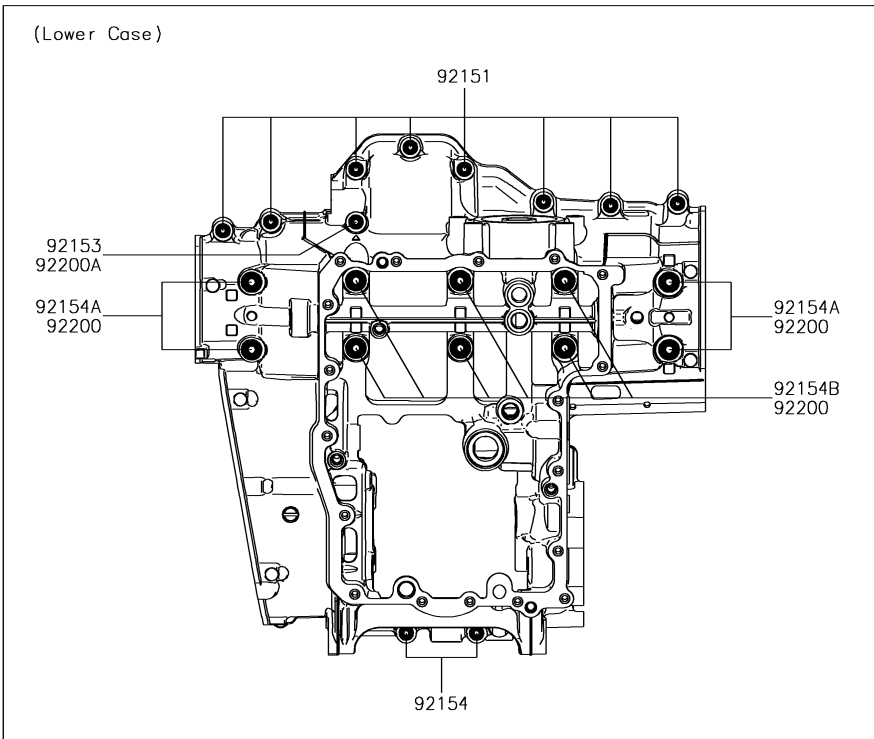
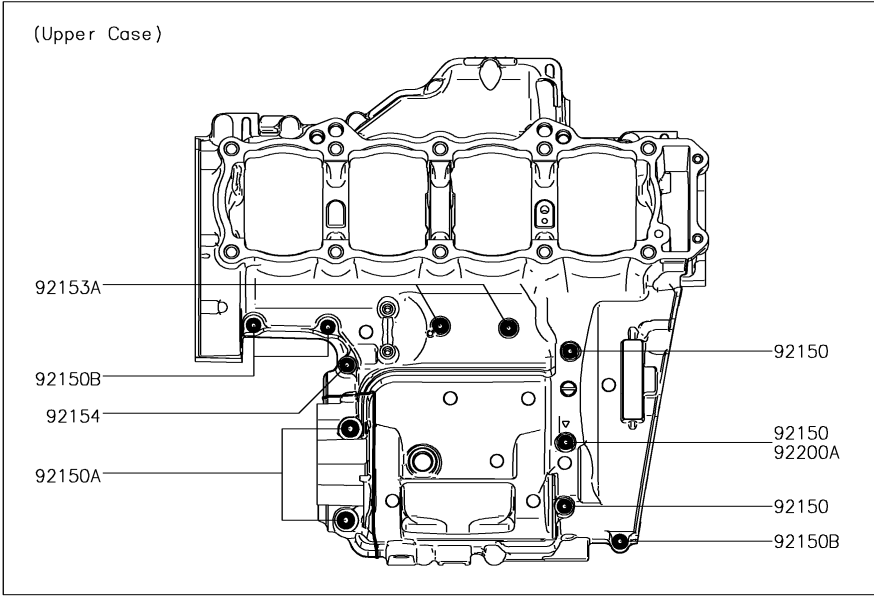


### 15. Crankcase Bolt Pattern

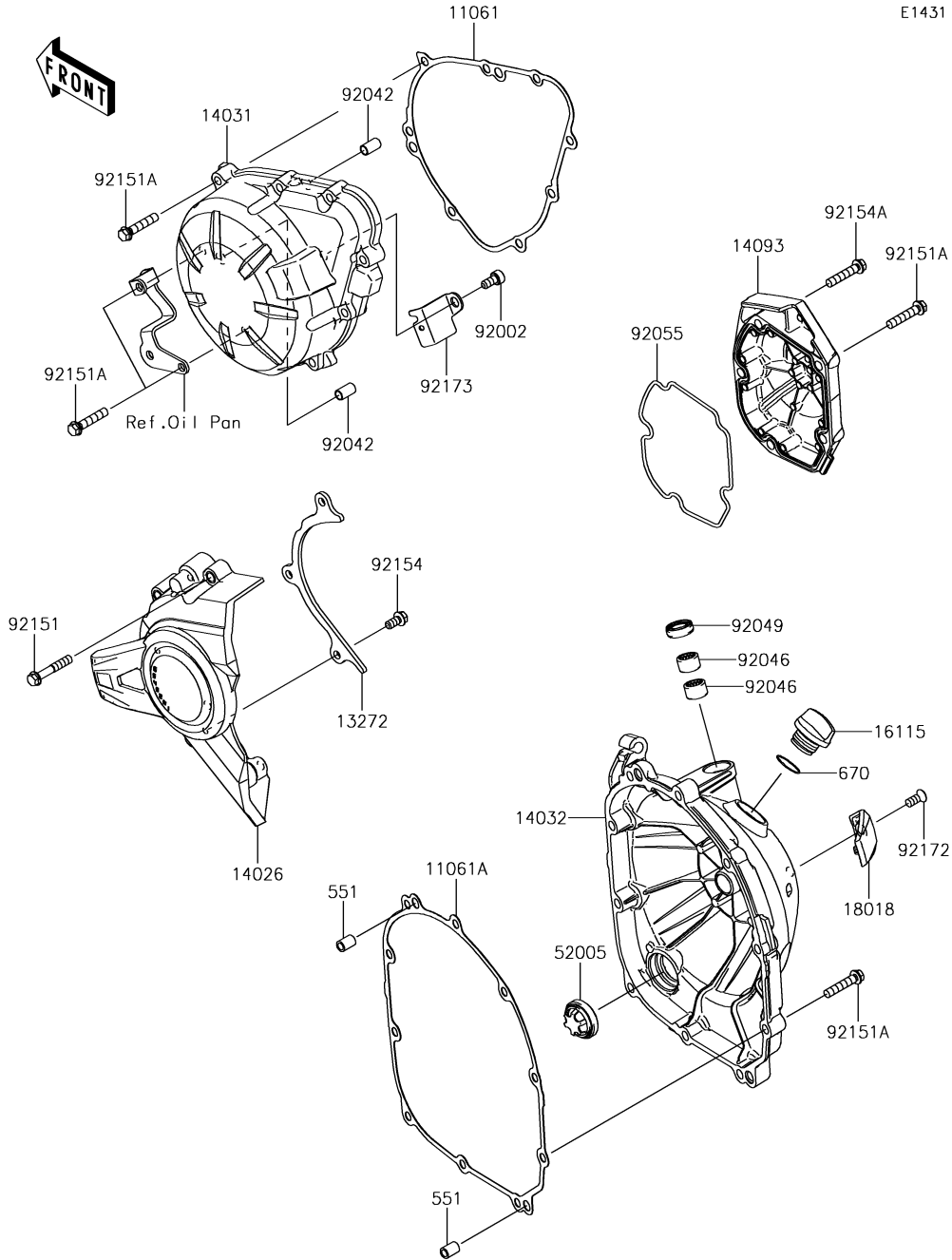
E1412

| Ref. No. | Part No. | Description | Spec Code | Quantity |  |  |  |
|----------|----------|-------------|-----------|----------|--|--|--|
|          |          |             |           | '18      |  |  |  |
|          |          |             |           | BJF      |  |  |  |

|        |            |                    |  |  |  |  |    |
|--------|------------|--------------------|--|--|--|--|----|
| 92150  | 92150-1251 | BOLT,FLANGED,7X85  |  |  |  |  | 3  |
| 92150A | 92150-1483 | BOLT,8X70          |  |  |  |  | 2  |
| 92150B | 92150-1794 | BOLT,6X40          |  |  |  |  | 3  |
| 92151  | 92151-1539 | BOLT,FLANGED,7X45  |  |  |  |  | 8  |
| 92153  | 92153-1045 | BOLT,FLANGED,7X60  |  |  |  |  | 1  |
| 92153A | 92153-1637 | BOLT,FLANGED,6X68  |  |  |  |  | 2  |
| 92154  | 92154-0372 | BOLT,FLANGED,7X50  |  |  |  |  | 3  |
| 92154A | 92154-2639 | BOLT,FLANGED,9X100 |  |  |  |  | 4  |
| 92154B | 92154-2640 | BOLT,FLANGED,9X90  |  |  |  |  | 6  |
| 92200  | 92200-0115 | WASHER,9.2X19X2.3  |  |  |  |  | 10 |
| 92200A | 92200-0556 | WASHER             |  |  |  |  | 2  |



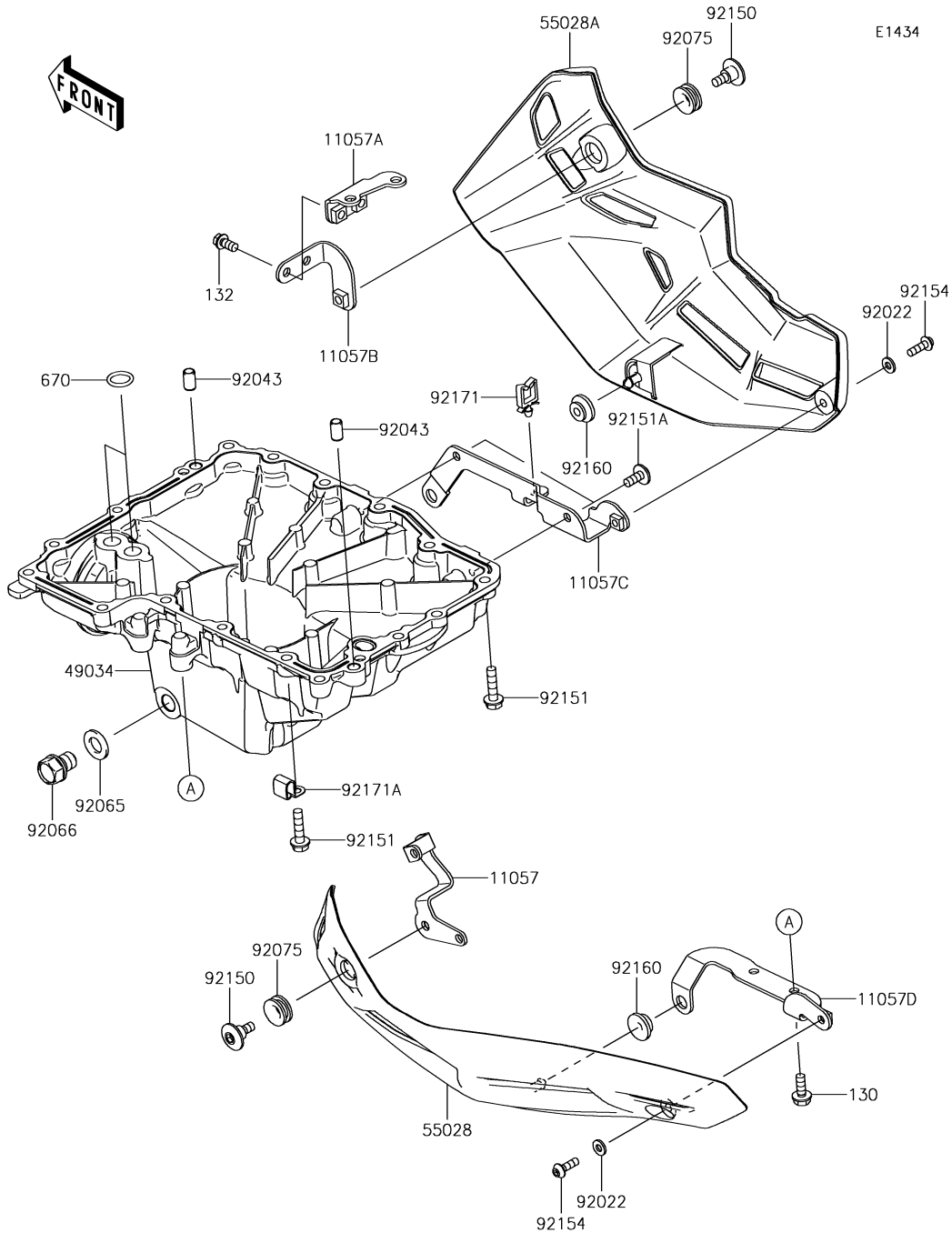
E1431



## 16. Engine Cover(s)

| Ref. No. | Part No.   | Description             | Spec Code | Quantity |    |  |  |
|----------|------------|-------------------------|-----------|----------|----|--|--|
|          |            |                         |           | '18      |    |  |  |
|          |            |                         |           | BJJ      |    |  |  |
| 11061    | 11061-0403 | GASKET,GENERATOR COVER  |           |          | 1  |  |  |
| 11061A   | 11061-0404 | GASKET,CLUTCH COVER     |           |          | 1  |  |  |
| 13272    | 13272-2238 | PLATE                   |           |          | 1  |  |  |
| 14026    | 14026-0132 | COVER-CHAIN             |           |          | 1  |  |  |
| 14031    | 14031-0611 | COVER-GENERATOR         |           |          | 1  |  |  |
| 14032    | 14032-0630 | COVER-CLUTCH            |           |          | 1  |  |  |
| 14093    | 14093-0519 | COVER,PULSER            |           |          | 1  |  |  |
| 16115    | 16115-1053 | CAP-OIL FILLER          |           |          | 1  |  |  |
| 18018    | 18018-0603 | PLATE-HEAT GUARD        |           |          | 1  |  |  |
| 52005    | 52005-1120 | GAUGE                   |           |          | 1  |  |  |
| 92002    | 92002-1796 | BOLT,SOCKET,6X12        |           |          | 1  |  |  |
| 92042    | 92042-007  | PIN,DOWEL,6.3X8X14      |           |          | 2  |  |  |
| 92046    | 92046-0034 | BEARING-NEEDLE,HK1210FM |           |          | 2  |  |  |
| 92049    | 92049-1475 | SEAL-OIL,CLUTCH RELEASE |           |          | 1  |  |  |
| 92055    | 92055-0199 | RING-O,PULSER COVER     |           |          | 1  |  |  |
| 92151    | 92151-1135 | BOLT,6X35               |           |          | 4  |  |  |
| 92151A   | 92151-1873 | BOLT,6X30               |           |          | 22 |  |  |
| 92154    | 92154-1888 | BOLT,FLANGED-SMALL,6X12 |           |          | 3  |  |  |
| 92154A   | 92154-2652 | BOLT,6X30               |           |          | 1  |  |  |
| 92172    | 92172-0901 | SCREW,TORX,6X14         |           |          | 1  |  |  |
| 92173    | 92173-1321 | CLAMP                   |           |          | 1  |  |  |
| 551      | 551A0814   | PIN-DOWEL,8X14          |           |          | 2  |  |  |
| 670      | 670B2020   | O RING,20MM             |           |          | 1  |  |  |

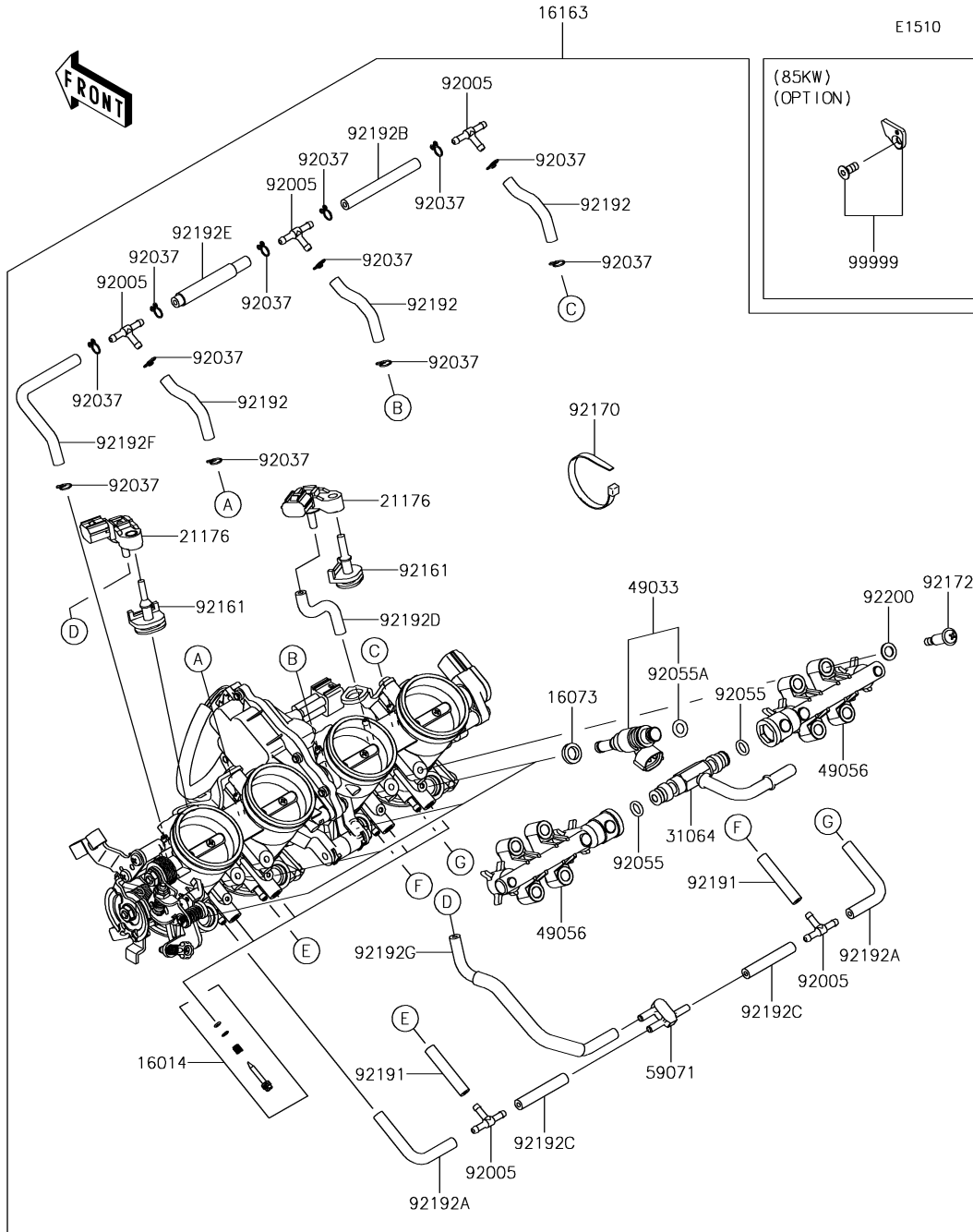
# '18 ZR900 BJJ



## 17. Oil Pan

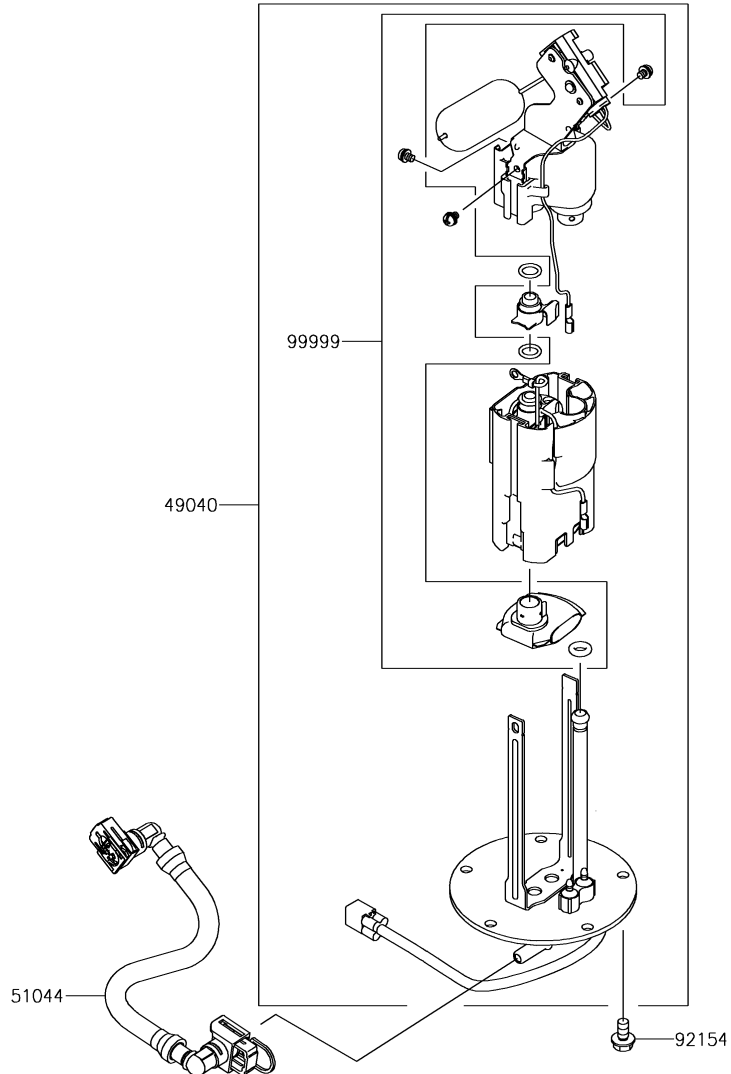
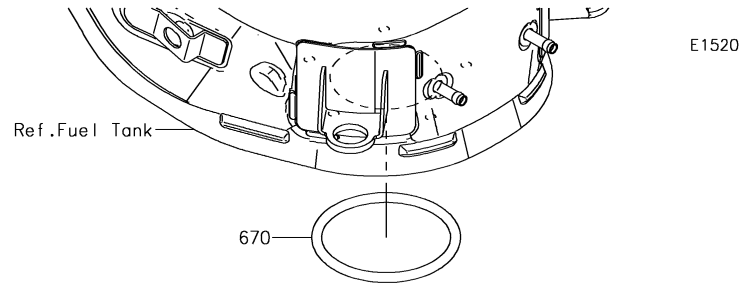
| Ref. No. | Part No.       | Description                | Spec Code | Quantity |    |  |  |
|----------|----------------|----------------------------|-----------|----------|----|--|--|
|          |                |                            |           | '18      |    |  |  |
|          |                |                            |           | BJF      |    |  |  |
| 11057    | 11057-0291     | BRACKET,LWR COWLING,LH,FR  |           |          | 1  |  |  |
| 11057A   | 11057-0293     | BRACKET,LWR COWLING,RH,FR  |           |          | 1  |  |  |
| 11057B   | 11057-0294     | BRACKET,LWR COWLING,RH,FR  |           |          | 1  |  |  |
| 11057C   | 11057-0295     | BRACKET,LWR COWLING,RH,RR  |           |          | 1  |  |  |
| 11057D   | 11057-0874     | BRACKET,LWR COWLING,LH,RR  |           |          | 1  |  |  |
| 49034    | 49034-0049     | PAN-OIL                    |           |          | 1  |  |  |
| 55028    | 55028-0609-739 | COWLING,LWR,LH,M.F.S.BLACK |           |          | 1  |  |  |
| 55028A   | 55028-0610-739 | COWLING,LWR,RH,M.F.S.BLACK |           |          | 1  |  |  |
| 92022    | 92022-1521     | WASHER,NYLON,5.3X11.5X1.5  |           |          | 2  |  |  |
| 92043    | 92043-1263     | PIN,6.2X8X14               |           |          | 2  |  |  |
| 92065    | 92065-097      | GASKET,12X22X2             |           |          | 1  |  |  |
| 92066    | 92066-0079     | PLUG,12X15                 |           |          | 1  |  |  |
| 92075    | 92075-1634     | DAMPER                     |           |          | 2  |  |  |
| 92150    | 92150-1154     | BOLT,SOCKET,6MM            |           |          | 2  |  |  |
| 92151    | 92151-1225     | BOLT,FLANGED,6X25          |           |          | 18 |  |  |
| 92151A   | 92151-1654     | BOLT,SOCKET,6X14           |           |          | 2  |  |  |
| 92154    | 92154-0287     | BOLT,SOCKET,5X16           |           |          | 2  |  |  |
| 92160    | 92160-1613     | DAMPER                     |           |          | 2  |  |  |
| 92171    | 92171-0290     | CLAMP                      |           |          | 1  |  |  |
| 92171A   | 92171-0534     | CLAMP                      |           |          | 1  |  |  |
| 130      | 130CC0616      | BOLT-FLANGED,6X16          |           |          | 2  |  |  |
| 132      | 132BA0612      | BOLT-FLANGED-SMALL,6X12    |           |          | 2  |  |  |
| 670      | 670D2014       | O RING,14MM                |           |          | 2  |  |  |

# '18 ZR900 BJJ



# 18. Throttle

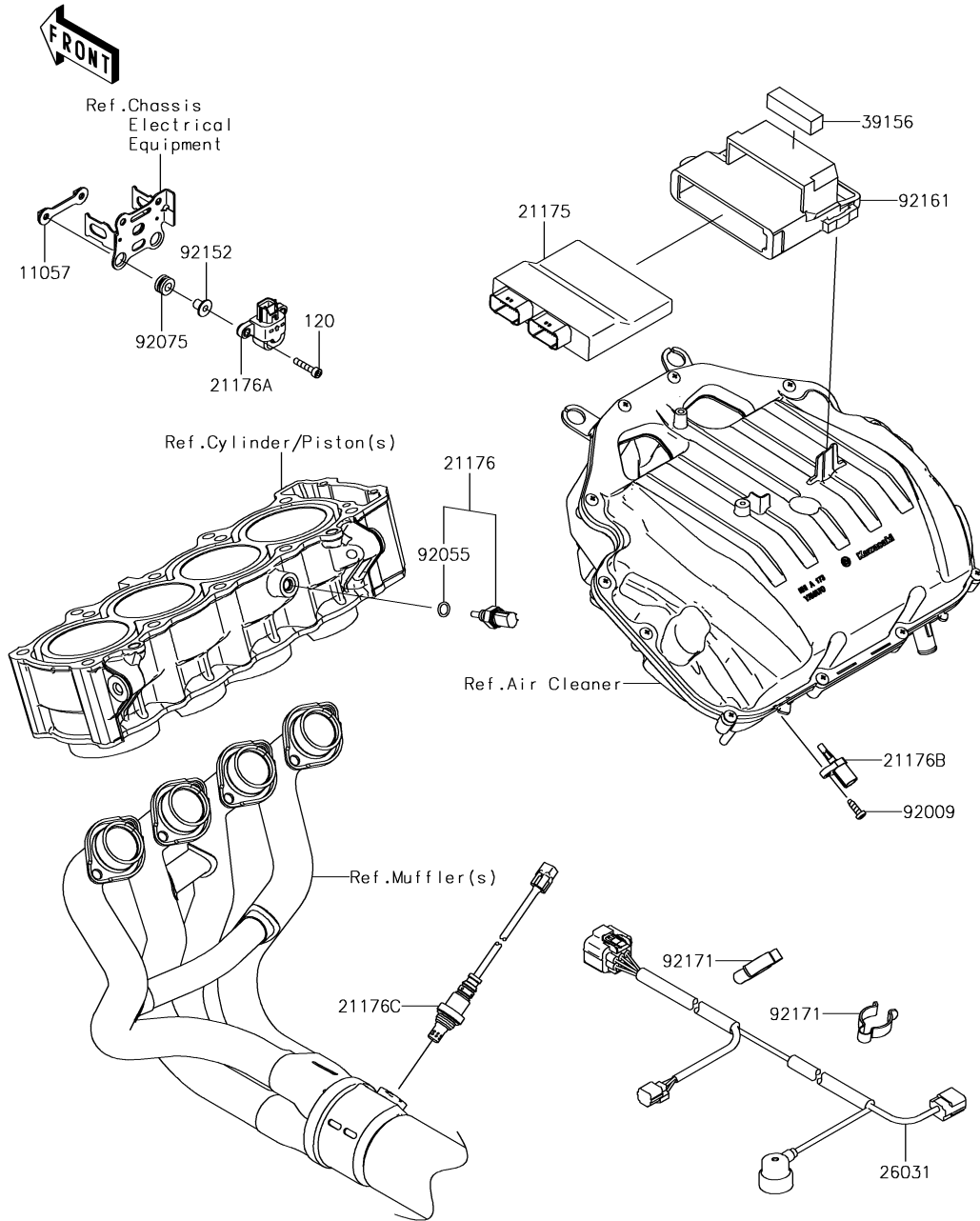
| Ref. No. | Part No.   | Description           | Spec Code | Quantity |    |  |  |
|----------|------------|-----------------------|-----------|----------|----|--|--|
|          |            |                       |           | '18      |    |  |  |
|          |            |                       |           | BJJ      |    |  |  |
| 16014    | 16014-0017 | SCREW-PILOT AIR       |           |          | 4  |  |  |
| 16073    | 16073-1123 | INSULATOR,INJECTER    |           |          | 4  |  |  |
| 16163    | 16163-0896 | THROTTLE-ASSY         |           |          | 1  |  |  |
| 21176    | 21176-0111 | SENSOR,PRESSURE       |           |          | 2  |  |  |
| 31064    | 31064-0692 | PIPE-COMP             |           |          | 1  |  |  |
| 49033    | 49033-0034 | NOZZLE-INJECTION      |           |          | 4  |  |  |
| 49056    | 49056-0049 | PIPE-INJECTION        |           |          | 2  |  |  |
| 59071    | 59071-0022 | JOINT                 |           |          | 1  |  |  |
| 92005    | 92005-1380 | FITTING               |           |          | 5  |  |  |
| 92037    | 92037-1124 | CLAMP,TUBE            |           |          | 12 |  |  |
| 92055    | 92055-0761 | RING-O                |           |          | 2  |  |  |
| 92055A   | 92055-2187 | RING-O,REGULATOR-FUEL |           |          | 4  |  |  |
| 92161    | 92161-0673 | DAMPER                |           |          | 2  |  |  |
| 92170    | 92170-3749 | CLAMP                 |           |          | 1  |  |  |
| 92172    | 92172-0828 | SCREW,PIPE INJECTION  |           |          | 4  |  |  |
| 92191    | 92191-1551 | TUBE,3.2X7.4X40       |           |          | 2  |  |  |
| 92192    | 92192-1349 | TUBE,3.5X7.5X55       |           |          | 3  |  |  |
| 92192A   | 92192-1446 | TUBE,3.2X7.4X75       |           |          | 2  |  |  |
| 92192B   | 92192-1447 | TUBE,3.5X7.5X70       |           |          | 1  |  |  |
| 92192C   | 92192-1617 | TUBE,3.2X7.4X45       |           |          | 2  |  |  |
| 92192D   | 92192-1802 | TUBE,3.2X7.4X55       |           |          | 1  |  |  |
| 92192E   | 92192-1803 | TUBE,3.5X7.5X70       |           |          | 1  |  |  |
| 92192F   | 92192-1804 | TUBE,3.5X7.5X115      |           |          | 1  |  |  |
| 92192G   | 92192-1805 | TUBE,3.2X7.4X175      |           |          | 1  |  |  |
| 92200    | 92200-3807 | WASHER                |           |          | 4  |  |  |
| 99999    | 99999-0598 | KIT,85KW (OPTION)     |           |          | 1  |  |  |



| Ref. No. | Part No. | Description | Spec Code | Quantity |  |  |  |
|----------|----------|-------------|-----------|----------|--|--|--|
|          |          |             |           | '18      |  |  |  |
|          |          |             |           | BJF      |  |  |  |

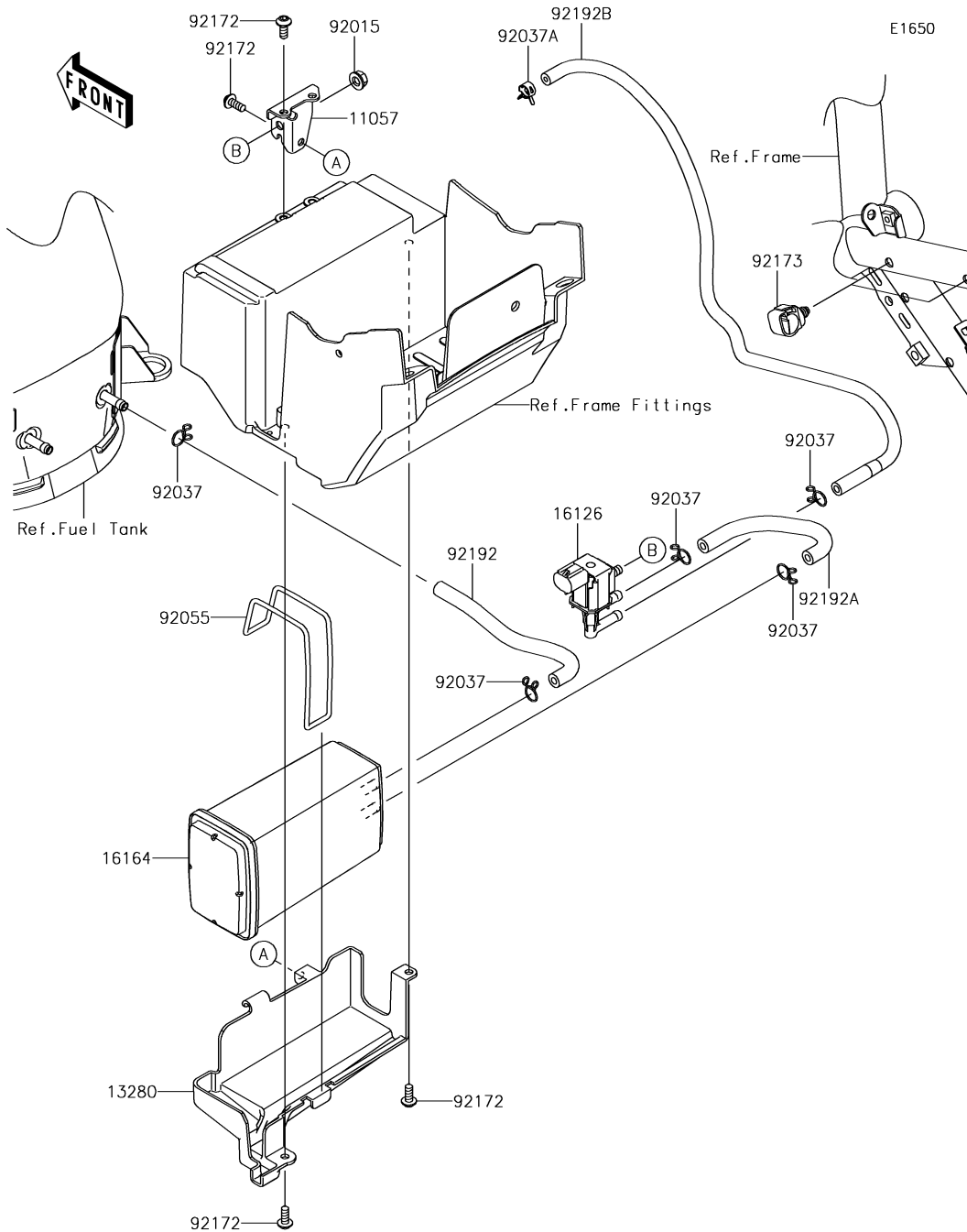
|       |            |                   |  |  |  |   |
|-------|------------|-------------------|--|--|--|---|
| 49040 | 49040-0756 | PUMP-FUEL         |  |  |  | 1 |
| 51044 | 51044-0863 | TUBE-ASSY,FUEL    |  |  |  | 1 |
| 92154 | 92154-2335 | BOLT,FLANGED,6X12 |  |  |  | 5 |
| 99999 | 99999-0522 | KIT,FUEL FILTER   |  |  |  | 1 |
| 670   | 670E5075   | O RING            |  |  |  | 1 |

E1530

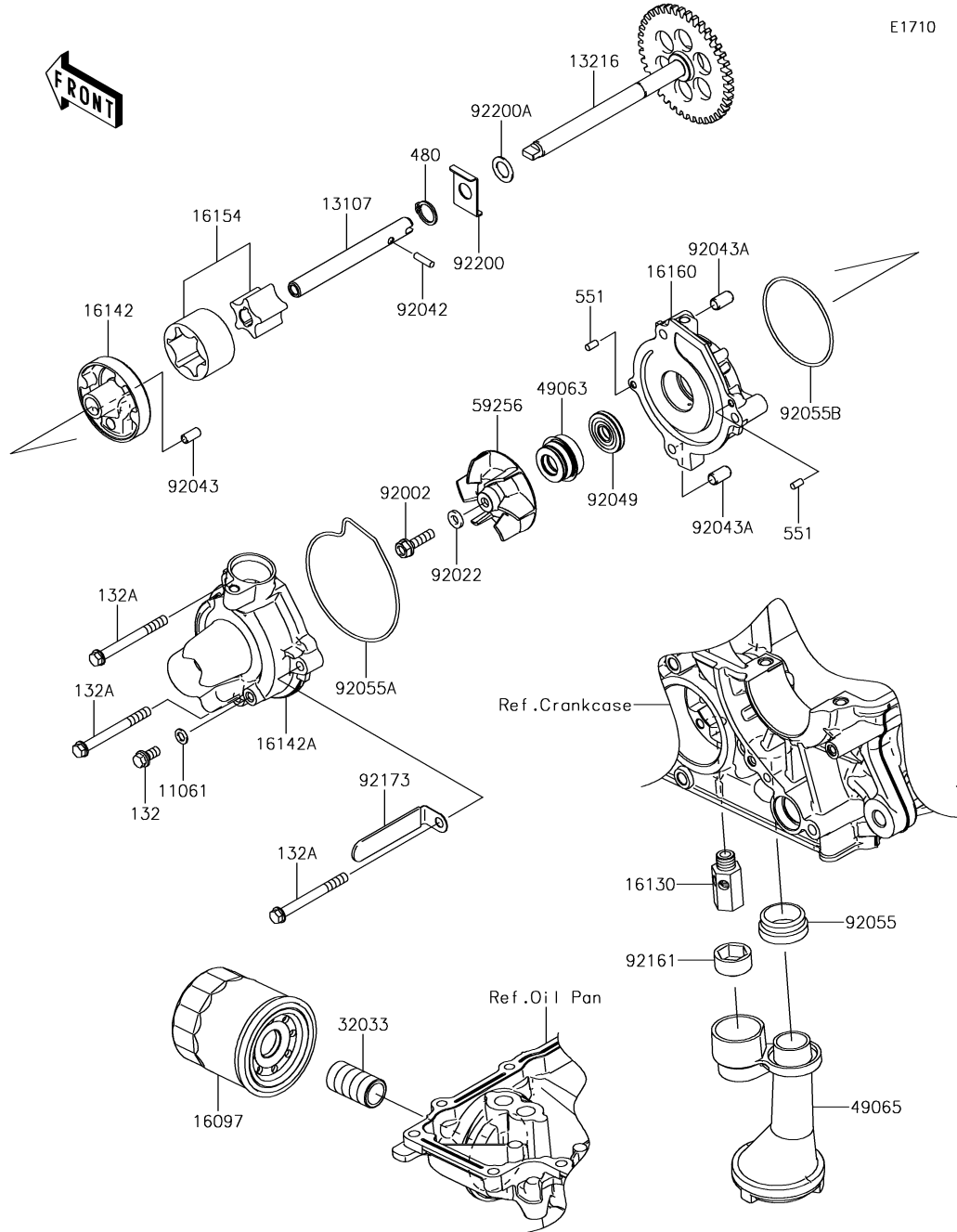


## 20. Fuel Injection

| Ref. No. | Part No.   | Description             | Spec Code | Quantity |  |  |   |
|----------|------------|-------------------------|-----------|----------|--|--|---|
|          |            |                         |           | '18      |  |  |   |
|          |            |                         |           |          |  |  |   |
|          |            |                         |           | BJF      |  |  |   |
| 11057    | 11057-0287 | BRACKET,VEHICLE DOWN    |           |          |  |  | 1 |
| 21175    | 21175-1212 | CONTROL UNIT-ELECTRONIC |           |          |  |  | 1 |
| 21176    | 21176-0009 | SENSOR,WATER TEMP       |           |          |  |  | 1 |
| 21176A   | 21176-0026 | SENSOR,VEHICLE-DOWN     |           |          |  |  | 1 |
| 21176B   | 21176-0048 | SENSOR,AIR TEMPERATURE  |           |          |  |  | 1 |
| 21176C   | 21176-0835 | SENSOR,OXYGEN           |           |          |  |  | 1 |
| 26031    | 26031-2159 | HARNES, SUB             |           |          |  |  | 1 |
| 39156    | 39156-2129 | PAD,15X55X15            |           |          |  |  | 1 |
| 92009    | 92009-1984 | SCREW,TAPPING,5X16      |           |          |  |  | 1 |
| 92055    | 92055-0016 | RING-O,9.5X1.9          |           |          |  |  | 1 |
| 92075    | 92075-1912 | DAMPER                  |           |          |  |  | 2 |
| 92152    | 92152-1562 | COLLAR,5.6X8X11.2       |           |          |  |  | 2 |
| 92161    | 92161-1870 | DAMPER,ECU              |           |          |  |  | 1 |
| 92171    | 92171-1283 | CLAMP,CABLE             |           |          |  |  | 2 |
| 120      | 120CA0525  | BOLT-SOCKET,5X25        |           |          |  |  | 2 |



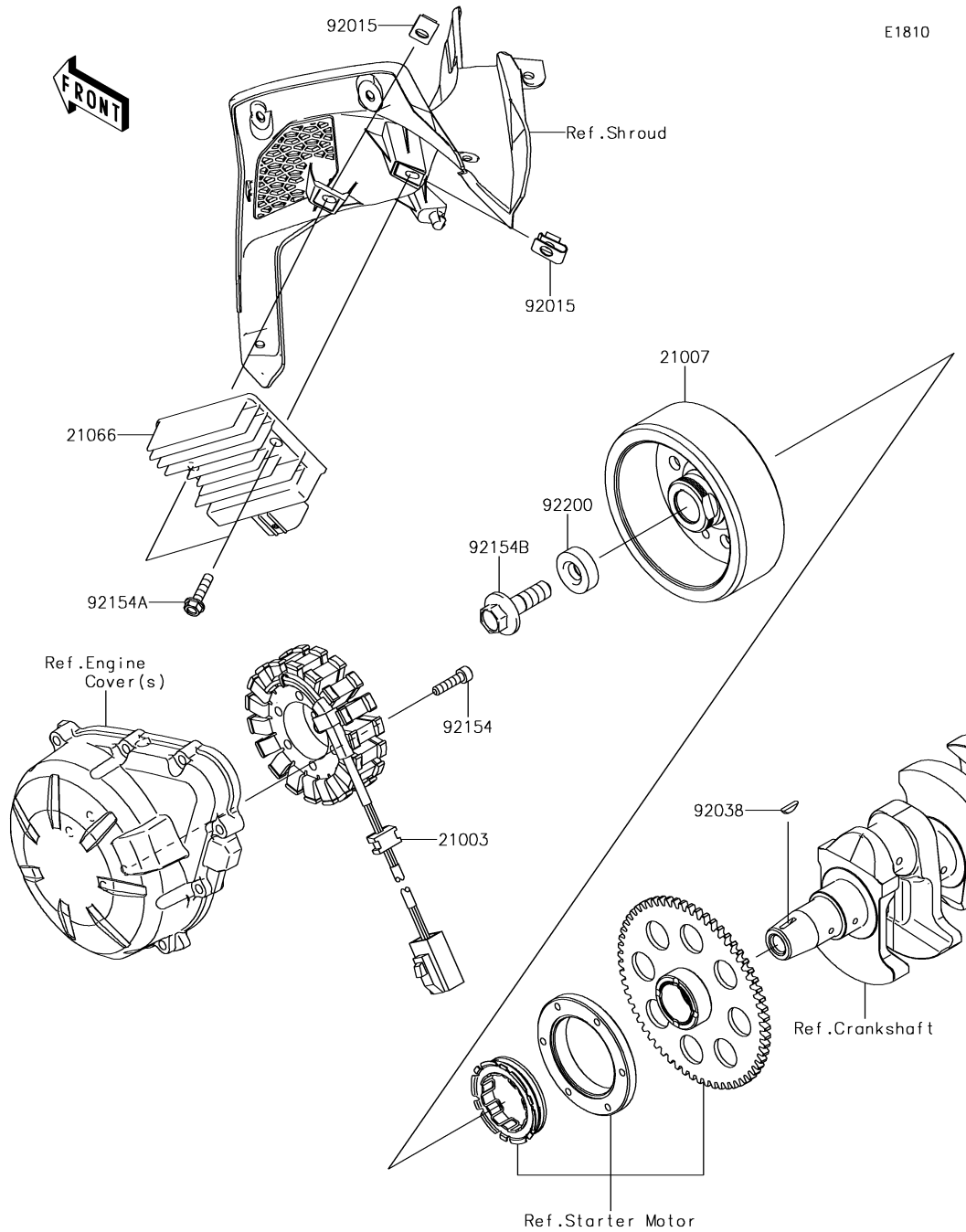
| Ref. No. | Part No.   | Description            | Spec Code | Quantity |     |
|----------|------------|------------------------|-----------|----------|-----|
|          |            |                        |           | '18      | BJJ |
| 11057    | 11057-0286 | BRACKET,PCV            |           | 1        |     |
| 13280    | 13280-0880 | HOLDER,CANISTER        |           | 1        |     |
| 16126    | 16126-0740 | VALVE,PCV              |           | 1        |     |
| 16164    | 16164-0012 | CANISTER               |           | 1        |     |
| 92015    | 92015-1367 | NUT,FLANGED,6MM        |           | 1        |     |
| 92037    | 92037-147  | CLAMP,TUBE             |           | 5        |     |
| 92037A   | 92037-2116 | CLAMP,7.8MM            |           | 1        |     |
| 92055    | 92055-1020 | RING-O,104.4X3.1       |           | 1        |     |
| 92172    | 92172-0823 | SCREW,SOCKET,5X14      |           | 5        |     |
| 92173    | 92173-0736 | CLAMP,12MM DIA.        |           | 2        |     |
| 92192    | 92192-1690 | TUBE,CANISTER-TANK     |           | 1        |     |
| 92192A   | 92192-1691 | TUBE,PCV-CANISTER      |           | 1        |     |
| 92192B   | 92192-1779 | TUBE,PCV-THROTTLE BODY |           | 1        |     |



## 22. Oil Pump

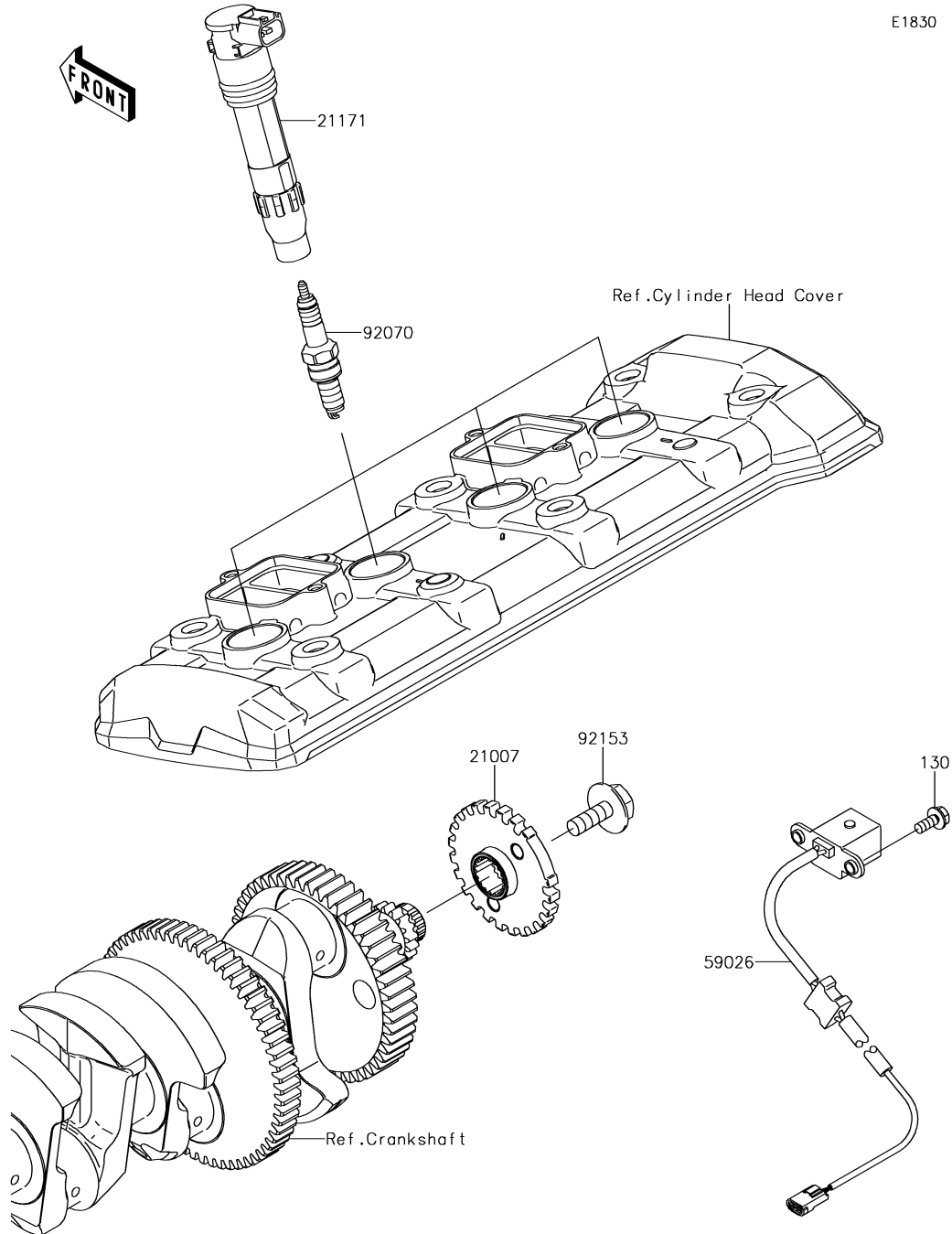
| Ref. No. | Part No.   | Description             | Spec Code | Quantity |  |  |   |
|----------|------------|-------------------------|-----------|----------|--|--|---|
|          |            |                         |           | '18      |  |  |   |
|          |            |                         |           | BJF      |  |  |   |
| 11061    | 11061-0107 | GASKET                  |           |          |  |  | 1 |
| 13107    | 13107-0214 | SHAFT                   |           |          |  |  | 1 |
| 13216    | 13216-0020 | GEAR-COMP,OIL PUMP,41T  |           |          |  |  | 1 |
| 16097    | 16097-0008 | FILTER-ASSY-OIL         |           |          |  |  | 1 |
| 16130    | 16130-1058 | VALVE-ASSY-RELIEF       |           |          |  |  | 1 |
| 16142    | 16142-0064 | COVER-PUMP              |           |          |  |  | 1 |
| 16142A   | 16142-0746 | COVER-PUMP              |           |          |  |  | 1 |
| 16154    | 16154-0057 | ROTOR-PUMP              |           |          |  |  | 1 |
| 16160    | 16160-0796 | BODY                    |           |          |  |  | 1 |
| 32033    | 32033-1535 | PIPE,OIL FILTER         |           |          |  |  | 1 |
| 49063    | 49063-1055 | SEAL-MECHANICAL,WATER   |           |          |  |  | 1 |
| 49065    | 49065-0026 | FILTER-OIL              |           |          |  |  | 1 |
| 59256    | 59256-0555 | IMPELLER                |           |          |  |  | 1 |
| 92002    | 92002-1154 | BOLT,6X22               |           |          |  |  | 1 |
| 92022    | 92022-077  | WASHER,6.1X12X1         |           |          |  |  | 1 |
| 92042    | 92042-030  | PIN,DOWEL,4X13.8        |           |          |  |  | 1 |
| 92043    | 92043-1262 | PIN,4.2X6X12            |           |          |  |  | 1 |
| 92043A   | 92043-1263 | PIN,6.2X8X14            |           |          |  |  | 2 |
| 92049    | 92049-0798 | SEAL-OIL                |           |          |  |  | 1 |
| 92055    | 92055-1503 | RING-O,OIL FILTER       |           |          |  |  | 1 |
| 92055A   | 92055-1571 | RING-O,WATER PUMP COVER |           |          |  |  | 1 |
| 92055B   | 92055-3018 | RING-O,59.6X2.4         |           |          |  |  | 1 |
| 92161    | 92161-0070 | DAMPER                  |           |          |  |  | 1 |
| 92173    | 92173-1201 | CLAMP                   |           |          |  |  | 1 |
| 92200    | 92200-0410 | WASHER                  |           |          |  |  | 1 |
| 92200A   | 92200-1009 | WASHER                  |           |          |  |  | 1 |
| 132      | 132BA0612  | BOLT-FLANGED-SMALL,6X12 |           |          |  |  | 1 |
| 132A     | 132BC0660  | BOLT-FLANGED-SMALL,6X60 |           |          |  |  | 3 |
| 480      | 480J1100   | CIRCLIP-TYPE-C,11MM     |           |          |  |  | 1 |
| 551      | 551A0408   | PIN-DOWEL,4X8           |           |          |  |  | 2 |





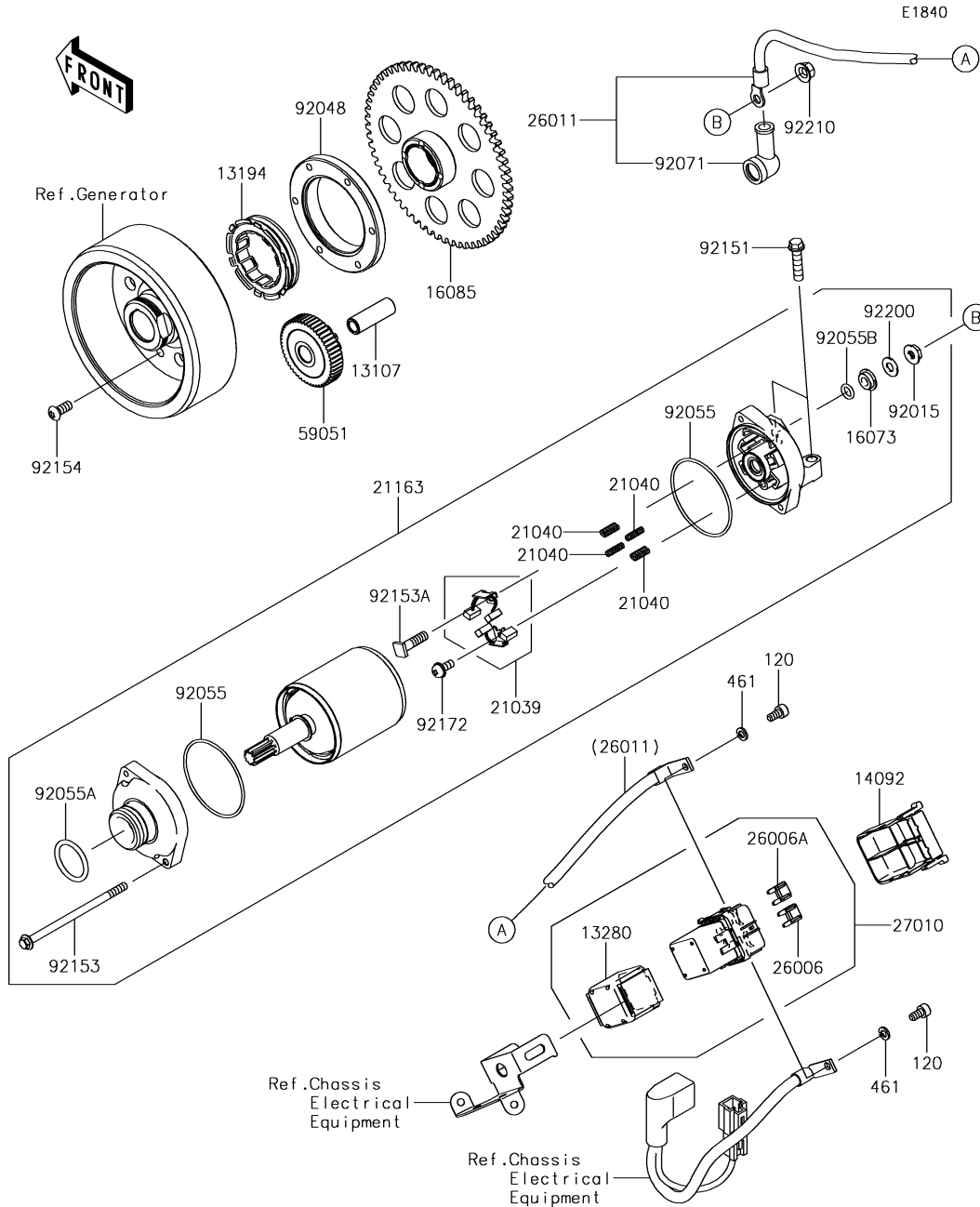
| Ref. No. | Part No.   | Description        | Spec Code | Quantity |  |   |  |
|----------|------------|--------------------|-----------|----------|--|---|--|
|          |            |                    |           | '18      |  |   |  |
| 21003    | 21003-0174 | STATOR             |           |          |  | 1 |  |
| 21007    | 21007-0646 | ROTOR              |           |          |  | 1 |  |
| 21066    | 21066-0753 | REGULATOR-VOLTAGE  |           |          |  | 1 |  |
| 92015    | 92015-1671 | NUT,6MM            |           |          |  | 2 |  |
| 92038    | 92038-1060 | KEY                |           |          |  | 1 |  |
| 92154    | 92154-0477 | BOLT,SOCKET,6X25   |           |          |  | 4 |  |
| 92154A   | 92154-2360 | BOLT,FLANGED,6X25  |           |          |  | 2 |  |
| 92154B   | 92154-2650 | BOLT,FLANGED,12X40 |           |          |  | 1 |  |
| 92200    | 92200-0369 | WASHER,12X34X9     |           |          |  | 1 |  |

## 24. Ignition System



| Ref. No. | Part No.   | Description            | Spec Code | Quantity |  |   |  |
|----------|------------|------------------------|-----------|----------|--|---|--|
|          |            |                        |           | '18      |  |   |  |
| 21007    | 21007-0579 | ROTOR                  |           |          |  | 1 |  |
| 21171    | 21171-0033 | COIL-ASSY-IGNITION     |           |          |  | 4 |  |
| 59026    | 59026-0043 | COIL-PULSING           |           |          |  | 1 |  |
| 92070    | 92070-0014 | PLUG-SPARK,CR9EIA(NGK) |           |          |  | 4 |  |
| 92153    | 92153-0549 | BOLT,FLANGED,8X23      |           |          |  | 1 |  |
| 130      | 130BA0512  | BOLT-FLANGED,5X12      |           |          |  | 2 |  |

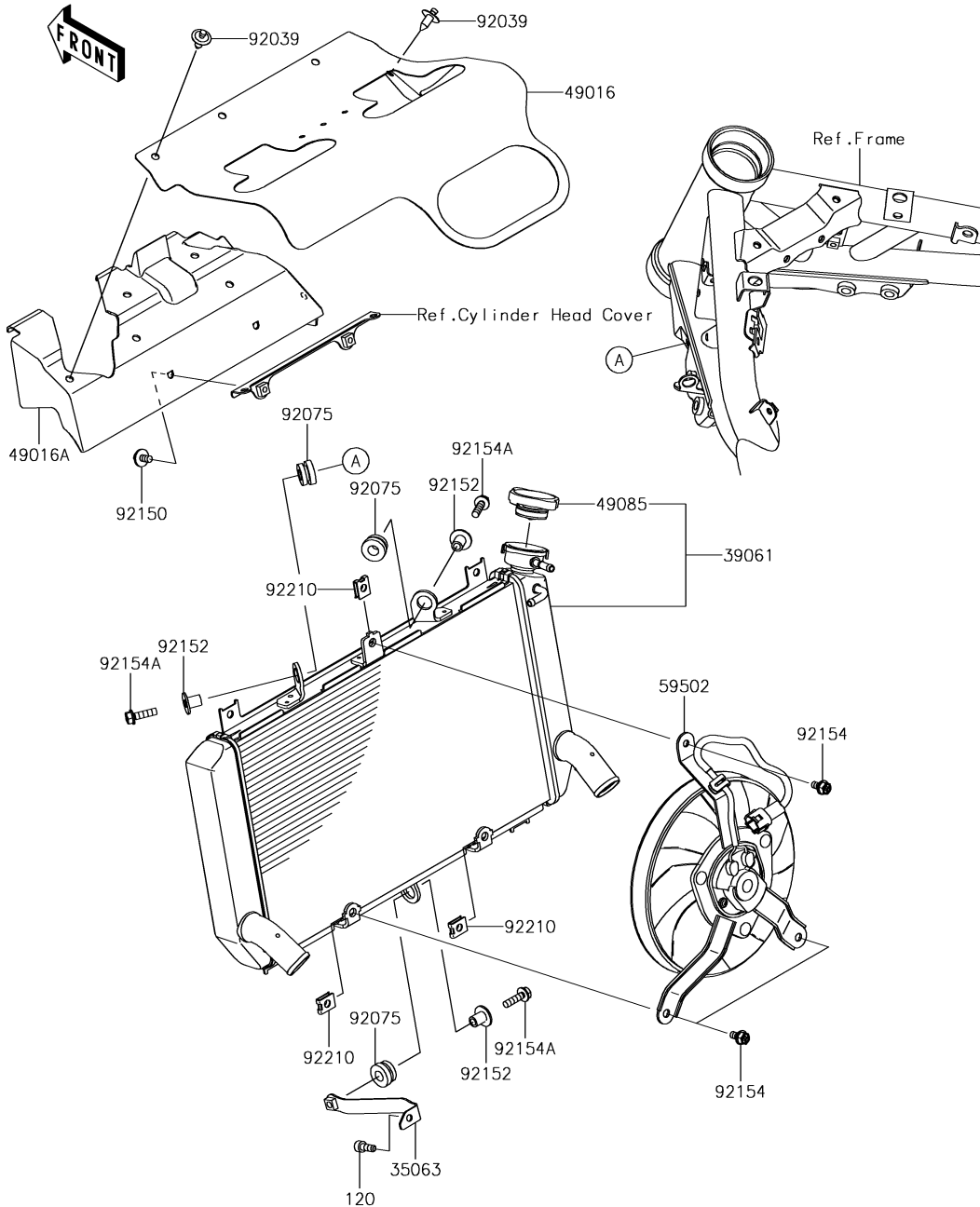
# '18 ZR900 BJJ



## 25. Starter Motor

| Ref. No. | Part No.   | Description                  | Spec Code | Quantity |     |
|----------|------------|------------------------------|-----------|----------|-----|
|          |            |                              |           | '18      | BJJ |
| 13107    | 13107-1377 | SHAFT, IDLER GEAR            |           | 1        |     |
| 13194    | 13194-1096 | CLUTCH-ONEWAY                |           | 1        |     |
| 13280    | 13280-0814 | HOLDER, MAGNETIC SWITCH      |           | 1        |     |
| 14092    | 14092-0109 | COVER                        |           | 1        |     |
| 16073    | 16073-0053 | INSULATOR                    |           | 1        |     |
| 16085    | 16085-0609 | GEAR, CLUTCH ONEWAY          |           | 1        |     |
| 21039    | 21039-0004 | BRUSH, CARBON                |           | 1        |     |
| 21040    | 21040-0003 | SPRING-BRUSH                 |           | 4        |     |
| 21163    | 21163-0748 | STARTER-ELECTRIC             |           | 1        |     |
| 26006    | 26006-0001 | FUSE, MINI BLADE, 15A, BLUE  |           | 1        |     |
| 26006A   | 26006-1080 | FUSE, MINI BLADE, 30A, GREEN |           | 1        |     |
| 26011    | 26011-0949 | WIRE-LEAD                    |           | 1        |     |
| 27010    | 27010-0770 | SWITCH                       |           | 1        |     |
| 59051    | 59051-0762 | GEAR-SPUR, IDLER             |           | 1        |     |
| 92015    | 92015-1476 | NUT, STARTER MOTOR           |           | 1        |     |
| 92048    | 92048-0018 | RACE                         |           | 1        |     |
| 92055    | 92055-0136 | RING-O                       |           | 2        |     |
| 92055A   | 92055-1276 | RING-O                       |           | 1        |     |
| 92055B   | 92055-1370 | RING-O, 4.5X2.0              |           | 1        |     |
| 92071    | 92071-0024 | GROMMET                      |           | 1        |     |
| 92151    | 92151-1930 | BOLT, FLANGED-SMALL, 6X25    |           | 2        |     |
| 92153    | 92153-1850 | BOLT                         |           | 2        |     |
| 92153A   | 92153-1866 | BOLT                         |           | 1        |     |
| 92154    | 92154-1225 | BOLT, TORX, 6X14             |           | 6        |     |
| 92172    | 92172-0334 | SCREW                        |           | 1        |     |
| 92200    | 92200-0386 | WASHER                       |           | 1        |     |
| 92210    | 92210-0188 | NUT, 6MM                     |           | 1        |     |
| 120      | 120CB0510  | BOLT-SOCKET, 5X10            |           | 2        |     |
| 461      | 461DB0500  | WASHER-SPRING, 5MM           |           | 2        |     |

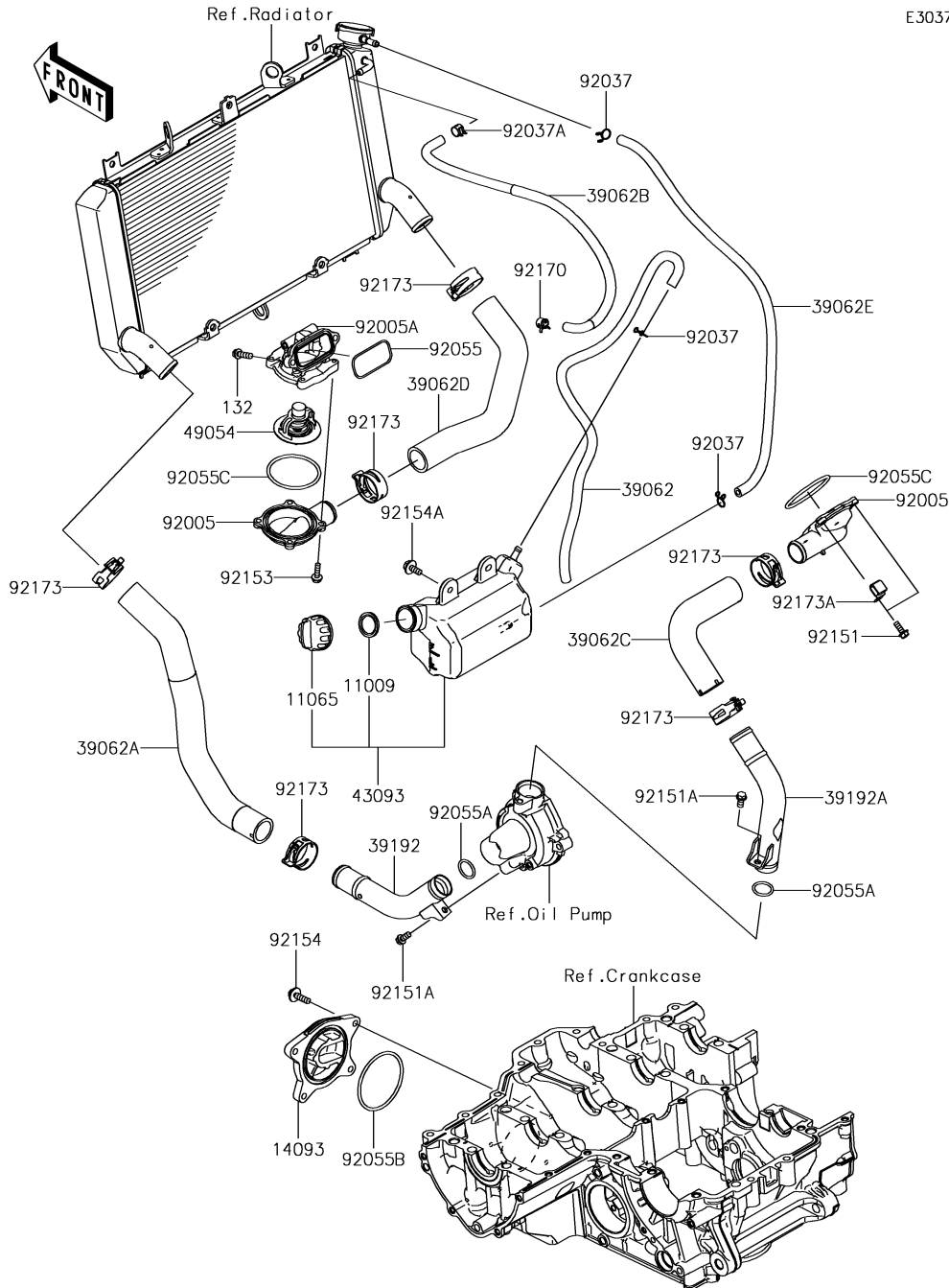
E3032



## 26. Radiator

| Ref. No. | Part No.   | Description       | Spec Code | Quantity |  |  |   |
|----------|------------|-------------------|-----------|----------|--|--|---|
|          |            |                   |           | '18      |  |  |   |
|          |            |                   |           |          |  |  |   |
|          |            |                   |           | BJF      |  |  |   |
| 35063    | 35063-1364 | STAY              |           |          |  |  | 1 |
| 39061    | 39061-0745 | RADIATOR-ASSY     |           |          |  |  | 1 |
| 49016    | 49016-0638 | COVER-SEAL,HEAT   |           |          |  |  | 1 |
| 49016A   | 49016-0639 | COVER-SEAL,HEAT   |           |          |  |  | 1 |
| 49085    | 49085-0006 | CAP-ASSY-PRESSURE |           |          |  |  | 1 |
| 59502    | 59502-0614 | FAN-ASSY          |           |          |  |  | 1 |
| 92039    | 92039-1289 | RIVET             |           |          |  |  | 2 |
| 92075    | 92075-1123 | DAMPER,RUBBER     |           |          |  |  | 3 |
| 92150    | 92150-1891 | BOLT,6X12         |           |          |  |  | 2 |
| 92152    | 92152-0667 | COLLAR            |           |          |  |  | 3 |
| 92154    | 92154-1429 | BOLT              |           |          |  |  | 3 |
| 92154A   | 92154-2673 | BOLT,FLANGED,6X22 |           |          |  |  | 3 |
| 92210    | 92210-1323 | NUT               |           |          |  |  | 3 |
| 120      | 120CA0616  | BOLT-SOCKET,6X16  |           |          |  |  | 1 |

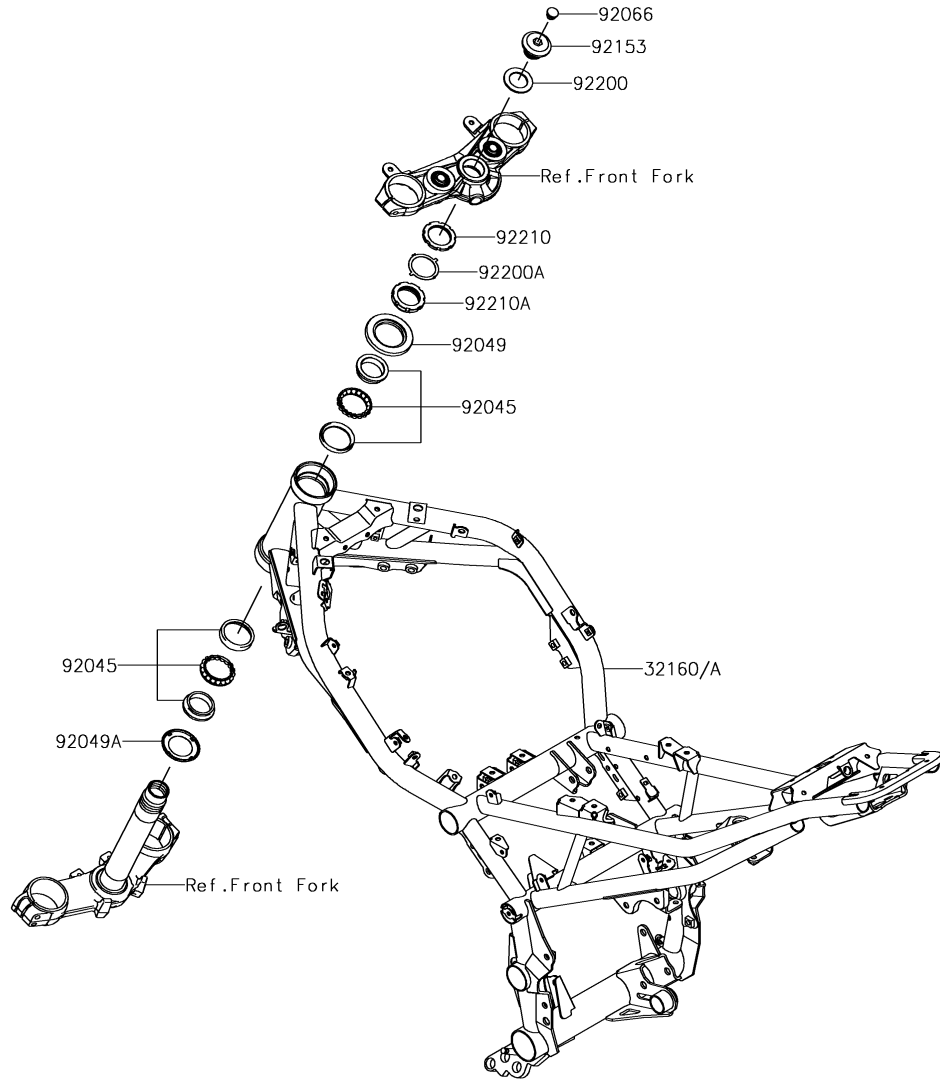
E3037



## 27. Water Pipe

| Ref. No. | Part No.   | Description                    | Spec Code | Quantity |  |  |   |
|----------|------------|--------------------------------|-----------|----------|--|--|---|
|          |            |                                |           | '18      |  |  |   |
|          |            |                                |           | BJF      |  |  |   |
| 11009    | 11009-1145 | GASKET,RESERVOIR TANK CAP      |           |          |  |  | 1 |
| 11065    | 11065-0980 | CAP                            |           |          |  |  | 1 |
| 14093    | 14093-0144 | COVER                          |           |          |  |  | 1 |
| 39062    | 39062-0618 | HOSE-COOLING,OVERFLOW          |           |          |  |  | 1 |
| 39062A   | 39062-0758 | HOSE-COOLING,RADIATOR-W/PIPE   |           |          |  |  | 1 |
| 39062B   | 39062-0765 | HOSE-COOLING,AIR BLEED         |           |          |  |  | 1 |
| 39062C   | 39062-0785 | HOSE-COOLING,W/PIPE-CYLINDER   |           |          |  |  | 1 |
| 39062D   | 39062-0786 | HOSE-COOLING,CYLINDER-RADIATOR |           |          |  |  | 1 |
| 39062E   | 39062-1208 | HOSE-COOLING,5.5X10.5X550      |           |          |  |  | 1 |
| 39192    | 39192-0631 | PIPE-WATER,RADIATOR-WATER PUMP |           |          |  |  | 1 |
| 39192A   | 39192-0644 | PIPE-WATER,WATER PUMP-CYLINDER |           |          |  |  | 1 |
| 43093    | 43093-0006 | RESERVOIR-ASSY-TANK            |           |          |  |  | 1 |
| 49054    | 49054-0004 | THERMOSTAT                     |           |          |  |  | 1 |
| 92005    | 92005-0842 | FITTING,THERMO CAP             |           |          |  |  | 2 |
| 92005A   | 92005-0846 | FITTING,THERMO CASE            |           |          |  |  | 1 |
| 92037    | 92037-147  | CLAMP,TUBE                     |           |          |  |  | 3 |
| 92037A   | 92037-1505 | CLAMP,TUBE                     |           |          |  |  | 1 |
| 92055    | 92055-0021 | RING-O,YP 27.6 57.6 1.9        |           |          |  |  | 1 |
| 92055A   | 92055-0114 | RING-O,20.8X2.4                |           |          |  |  | 2 |
| 92055B   | 92055-0739 | RING-O,63.3MM                  |           |          |  |  | 1 |
| 92055C   | 92055-0831 | RING-O,53.5X2.6                |           |          |  |  | 2 |
| 92151    | 92151-1764 | BOLT,5X14                      |           |          |  |  | 4 |
| 92151A   | 92151-1997 | BOLT,6X12                      |           |          |  |  | 2 |
| 92153    | 92153-1588 | BOLT,FLANGED,5X18              |           |          |  |  | 4 |
| 92154    | 92154-0403 | BOLT,FLANGED,6X22              |           |          |  |  | 4 |
| 92154A   | 92154-1850 | BOLT,UPSET-WP,6X16             |           |          |  |  | 2 |
| 92170    | 92170-1493 | CLAMP                          |           |          |  |  | 1 |
| 92173    | 92173-1360 | CLAMP,34MM                     |           |          |  |  | 6 |
| 92173A   | 92173-1663 | CLAMP                          |           |          |  |  | 1 |
| 132      | 132BC0620  | BOLT-FLANGED-SMALL,6X20        |           |          |  |  | 2 |

F2120



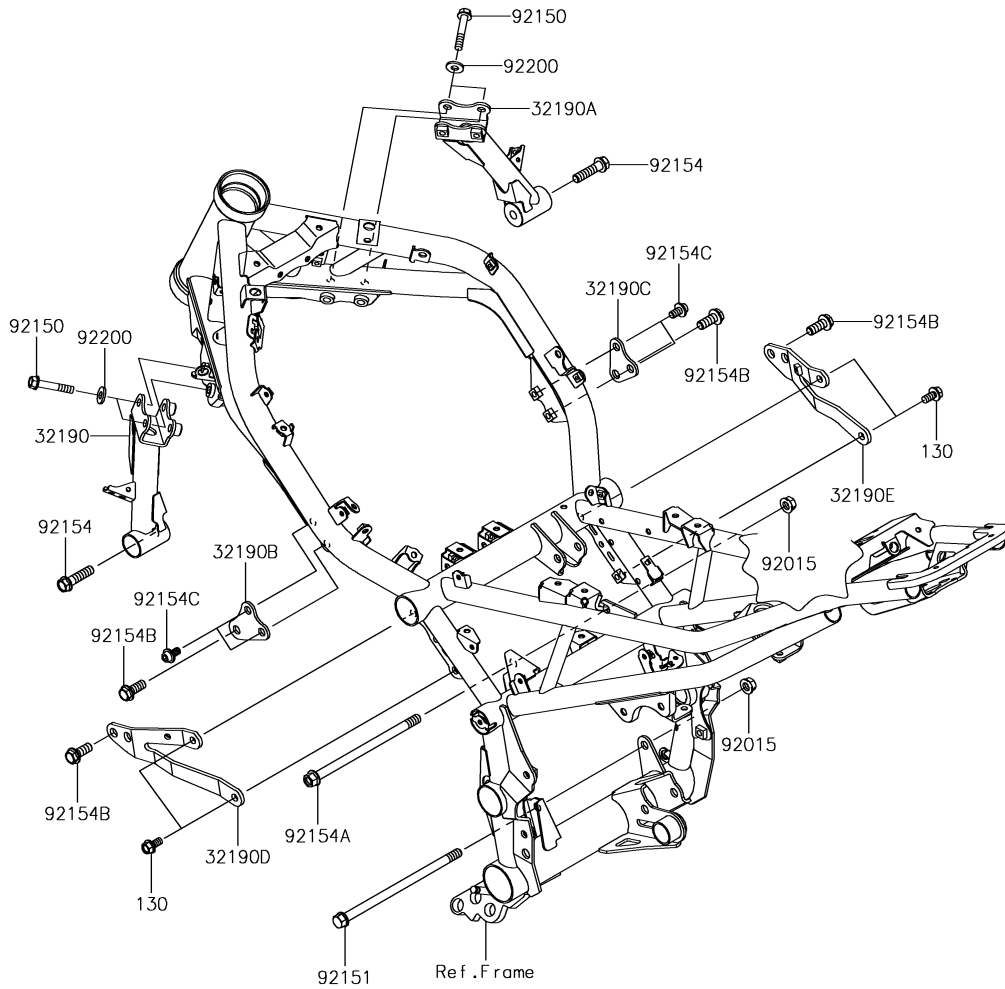
## 28. Frame

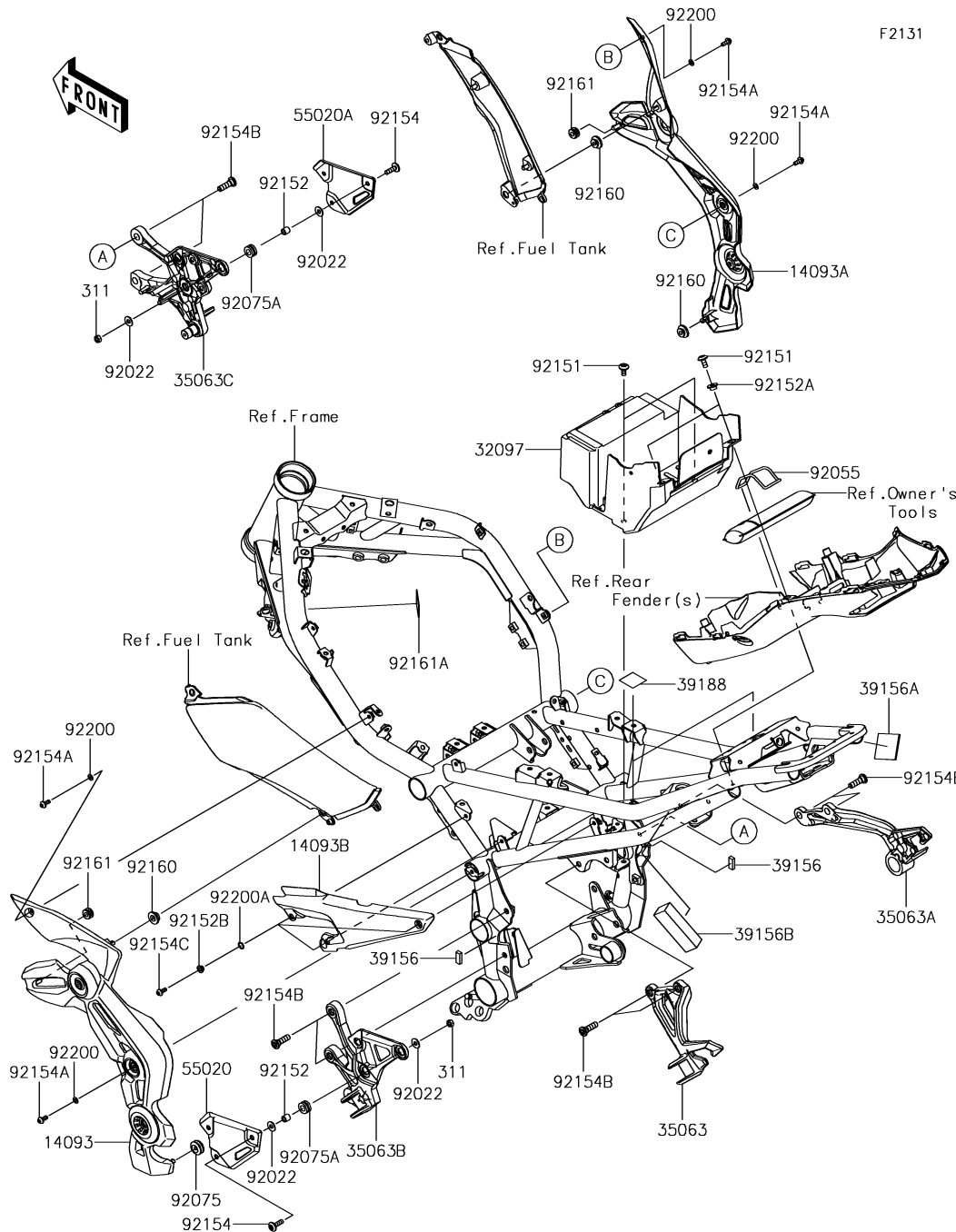
| Ref. No. | Part No.       | Description               | Spec Code | Quantity |  |  |   |
|----------|----------------|---------------------------|-----------|----------|--|--|---|
|          |                |                           |           | '18      |  |  |   |
| 32160    | 32160-0957-18R | FRAME-COMP,F.S.BLACK      |           |          |  |  | 1 |
| 32160A   | 32160-0957-54S | FRAME-COMP,M.GREEN        |           |          |  |  | 1 |
| 92045    | 92045-1384     | BEARING-BALL,SF07A17PX1V1 |           |          |  |  | 2 |
| 92049    | 92049-0131     | SEAL-OIL                  |           |          |  |  | 1 |
| 92049A   | 92049-0137     | SEAL-OIL                  |           |          |  |  | 1 |
| 92066    | 92066-0071     | PLUG                      |           |          |  |  | 1 |
| 92153    | 92153-0474     | BOLT,26MM                 |           |          |  |  | 1 |
| 92200    | 92200-0753     | WASHER,27X42X2.3          |           |          |  |  | 1 |
| 92200A   | 92200-0781     | WASHER,27X42X2.3          |           |          |  |  | 1 |
| 92210    | 92210-0534     | NUT,STEERING STEM,35MM    |           |          |  |  | 1 |
| 92210A   | 92210-0535     | NUT,STEERING STEM,35MM    |           |          |  |  | 1 |

## 29. Engine Mount

| Ref. No. | Part No. | Description | Spec Code | Quantity |  |  |  |
|----------|----------|-------------|-----------|----------|--|--|--|
|          |          |             |           | '18      |  |  |  |
|          |          |             |           |          |  |  |  |
|          |          |             |           |          |  |  |  |
|          |          |             |           |          |  |  |  |
|          |          |             |           |          |  |  |  |
|          |          |             |           |          |  |  |  |

|        |                |                             |  |   |
|--------|----------------|-----------------------------|--|---|
| 32190  | 32190-0721-18R | BRACKET-ENGINE,LH,F.S.BLACK |  | 1 |
| 32190A | 32190-0722-18R | BRACKET-ENGINE,RH,F.S.BLACK |  | 1 |
| 32190B | 32190-0723-18R | BRACKET-ENGINE,LH,F.S.BLACK |  | 1 |
| 32190C | 32190-0724-18R | BRACKET-ENGINE,RH,F.S.BLACK |  | 1 |
| 32190D | 32190-0725     | BRACKET-ENGINE,CYL.,LH      |  | 1 |
| 32190E | 32190-0726     | BRACKET-ENGINE,CYL.,RH      |  | 1 |
| 92015  | 92015-1180     | NUT,FLANGED,10MM            |  | 2 |
| 92150  | 92150-1487     | BOLT,FLANGED,8X45           |  | 4 |
| 92151  | 92151-1915     | BOLT,FLANGED,10X190         |  | 1 |
| 92154  | 92154-0313     | BOLT,FLANGED,10X40          |  | 2 |
| 92154A | 92154-0840     | BOLT,FLANGED,10X170         |  | 1 |
| 92154B | 92154-2251     | BOLT,FLANGED,10X25          |  | 4 |
| 92154C | 92154-2252     | BOLT,SOCKET,8X14            |  | 4 |
| 92200  | 92200-1213     | WASHER,8.5X18X2.3           |  | 4 |
| 130    | 130CA0816      | BOLT-FLANGED,8X16           |  | 4 |





### 30. Frame Fittings

| Ref. No. | Part No.       | Description               | Spec Code | Quantity |     |
|----------|----------------|---------------------------|-----------|----------|-----|
|          |                |                           |           | '18      | BJJ |
| 14093    | 14093-0509-54N | COVER,PIVOT,LH,B.SILVER   |           | 1        |     |
| 14093A   | 14093-0510-54N | COVER,PIVOT,RH,B.SILVER   |           | 1        |     |
| 14093B   | 14093-0511     | COVER,HARNESS,LH          |           | 1        |     |
| 32097    | 32097-0045     | CASE-BATTERY              |           | 1        |     |
| 35063    | 35063-1362-18R | STAY,STEP,RR,LH,F.S.BLACK |           | 1        |     |
| 35063A   | 35063-1363-18R | STAY,STEP,RR,RH,F.S.BLACK |           | 1        |     |
| 35063B   | 35063-1399-18R | STAY,STEP,FR,LH,F.S.BLACK |           | 1        |     |
| 35063C   | 35063-1400-18R | STAY,STEP,FR,RH,F.S.BLACK |           | 1        |     |
| 39156    | 39156-2176     | PAD,8X20X5                |           | 2        |     |
| 39156A   | 39156-2177     | PAD,40X60X2               |           | 1        |     |
| 39156B   | 39156-2217     | PAD,25X80X20              |           | 1        |     |
| 39188    | 39188-0566     | TAPE,30X30                |           | 2        |     |
| 55020    | 55020-1962     | GUARD,HEEL,LH             |           | 1        |     |
| 55020A   | 55020-1963     | GUARD,HEEL,RH             |           | 1        |     |
| 92022    | 92022-1093     | WASHER,6.5X16X1.0         |           | 12       |     |
| 92055    | 92055-0873     | RING-O,62.6X3.5           |           | 1        |     |
| 92075    | 92075-1067     | DAMPER                    |           | 1        |     |
| 92075A   | 92075-1409     | DAMPER                    |           | 6        |     |
| 92151    | 92151-1654     | BOLT,SOCKET,6X14          |           | 4        |     |
| 92152    | 92152-2280     | COLLAR,6.3X9.5X9.2        |           | 6        |     |
| 92152A   | 92152-2287     | COLLAR,6.5X10X6.4         |           | 2        |     |
| 92152B   | 92152-2354     | COLLAR,5.7X8.5X4.5        |           | 3        |     |
| 92154    | 92154-0918     | BOLT,SOCKET,6X20          |           | 6        |     |
| 92154A   | 92154-1421     | BOLT,SOCKET,5X12          |           | 4        |     |
| 92154B   | 92154-2334     | BOLT,SOCKET,8X28          |           | 8        |     |
| 92154C   | 92154-2678     | BOLT,SOCKET,5X12,MEC      |           | 3        |     |
| 92160    | 92160-1613     | DAMPER                    |           | 3        |     |
| 92161    | 92161-0864     | DAMPER                    |           | 2        |     |
| 92161A   | 92161-1432     | DAMPER,25X40,T1.0         |           | 1        |     |
| 92200    | 92200-1730     | WASHER,5.2X10X0.5         |           | 4        |     |
| 92200A   | 92200-1888     | WASHER,8.8X11.5X0.5       |           | 3        |     |
| 311      | 311AA0600      | NUT-HEX,6MM               |           | 6        |     |

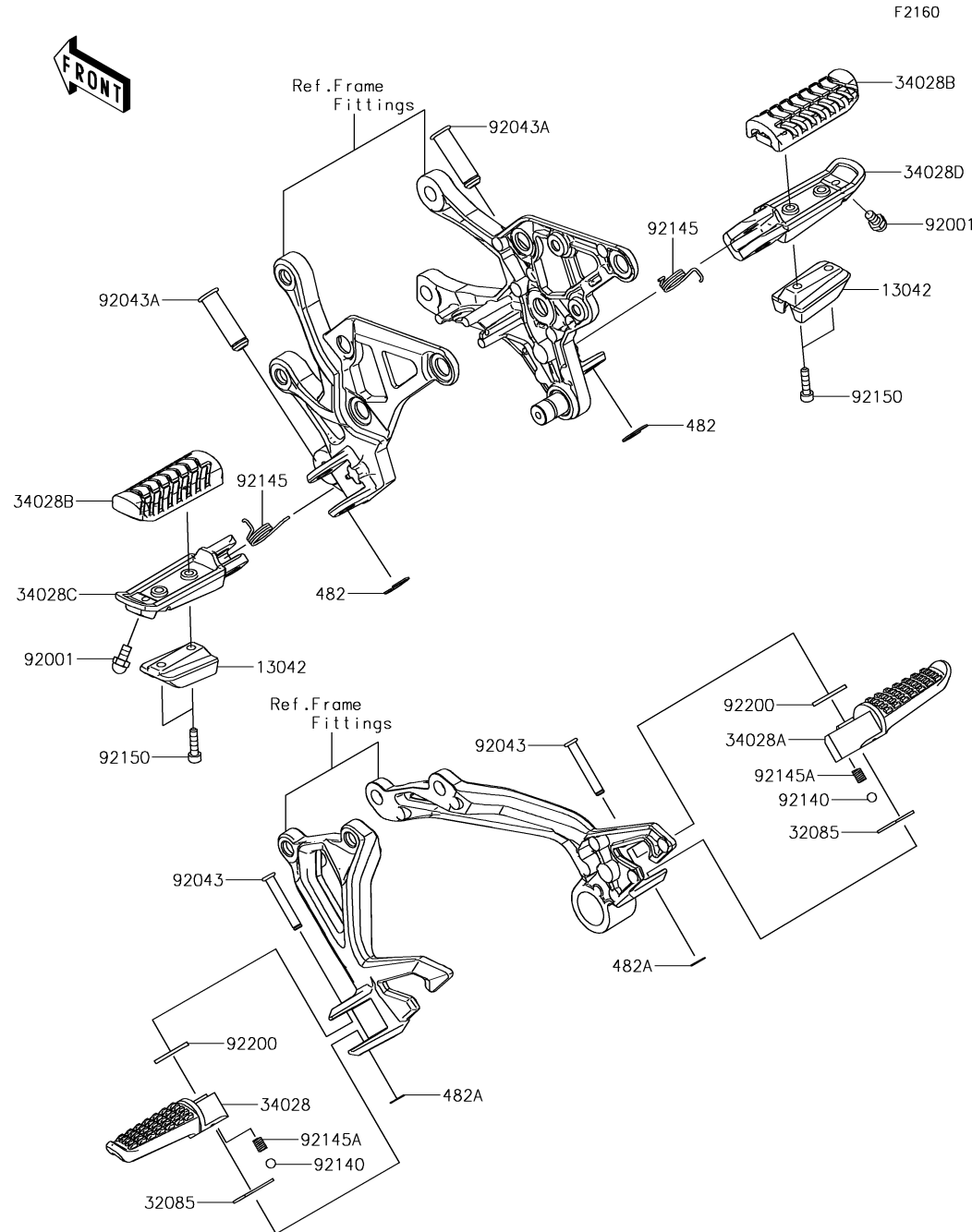






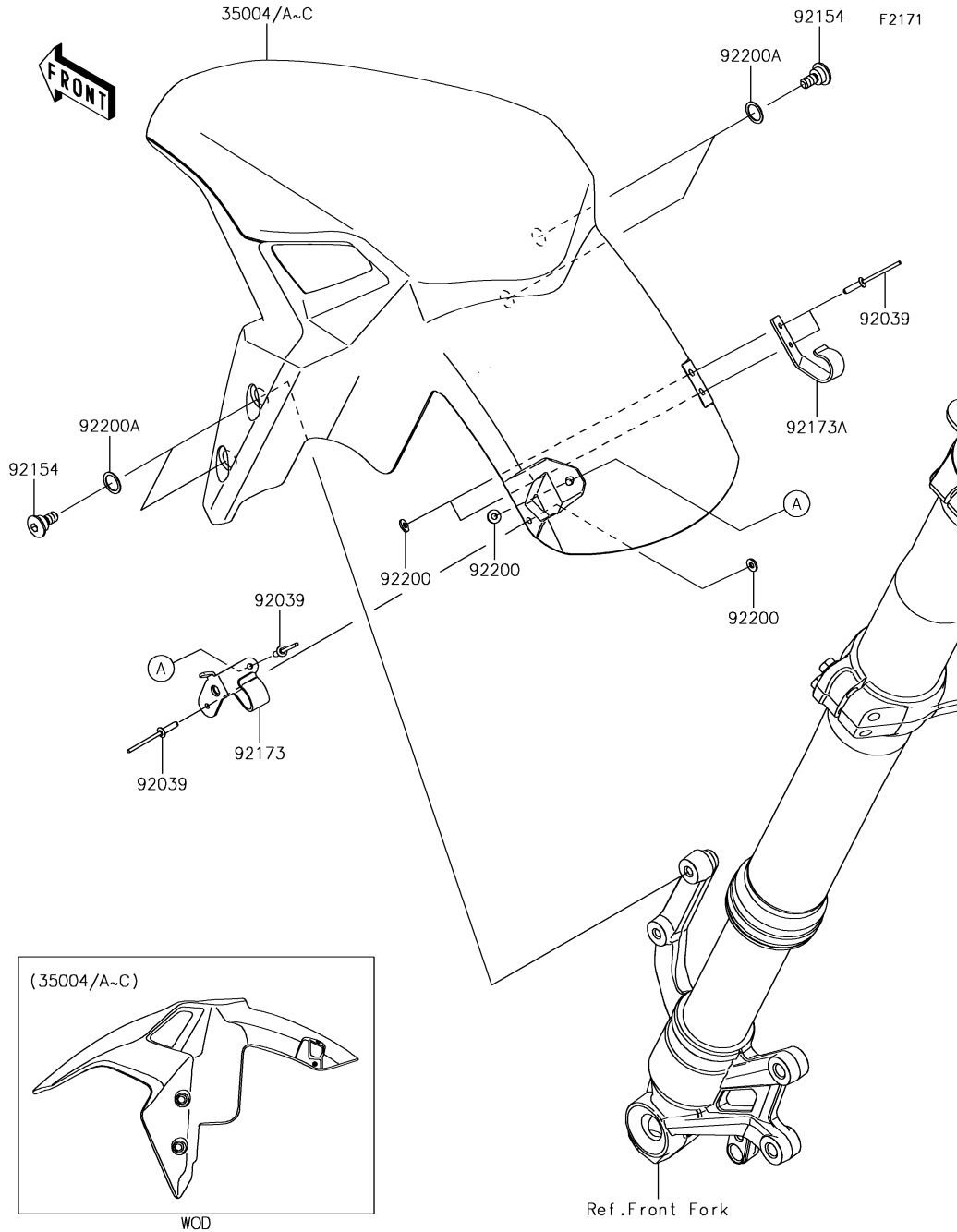
# '18 ZR900 BJF

# 33. Footrests



| Ref. No. | Part No.   | Description         | Spec Code | Quantity |   |  |  |
|----------|------------|---------------------|-----------|----------|---|--|--|
|          |            |                     |           | '18      |   |  |  |
|          |            |                     |           | BJF      |   |  |  |
| 13042    | 13042-0746 | WEIGHT,STEP         |           |          | 2 |  |  |
| 32085    | 32085-0801 | STOPPER             |           |          | 2 |  |  |
| 34028    | 34028-0004 | STEP,RR,LH          |           |          | 1 |  |  |
| 34028A   | 34028-0005 | STEP,RR,RH          |           |          | 1 |  |  |
| 34028B   | 34028-0349 | STEP,RUBBER         |           |          | 2 |  |  |
| 34028C   | 34028-0350 | STEP,FR,LH          |           |          | 1 |  |  |
| 34028D   | 34028-0351 | STEP,FR,RH          |           |          | 1 |  |  |
| 92001    | 92001-1905 | BOLT,BANK SENSOR    |           |          | 2 |  |  |
| 92043    | 92043-0200 | PIN,6X40            |           |          | 2 |  |  |
| 92043A   | 92043-1594 | PIN,12X42.5         |           |          | 2 |  |  |
| 92140    | 92140-0008 | BALL,6.35MM         |           |          | 2 |  |  |
| 92145    | 92145-0723 | SPRING,STEP RETURN  |           |          | 2 |  |  |
| 92145A   | 92145-1319 | SPRING              |           |          | 2 |  |  |
| 92150    | 92150-1019 | BOLT,SOCKET,5X20    |           |          | 4 |  |  |
| 92200    | 92200-0043 | WASHER,16X26X2.3    |           |          | 2 |  |  |
| 482      | 482EA0100  | CIRCLIP-TYPE-E,10MM |           |          | 2 |  |  |
| 482A     | 482EA5000  | CIRCLIP-TYPE-E      |           |          | 2 |  |  |

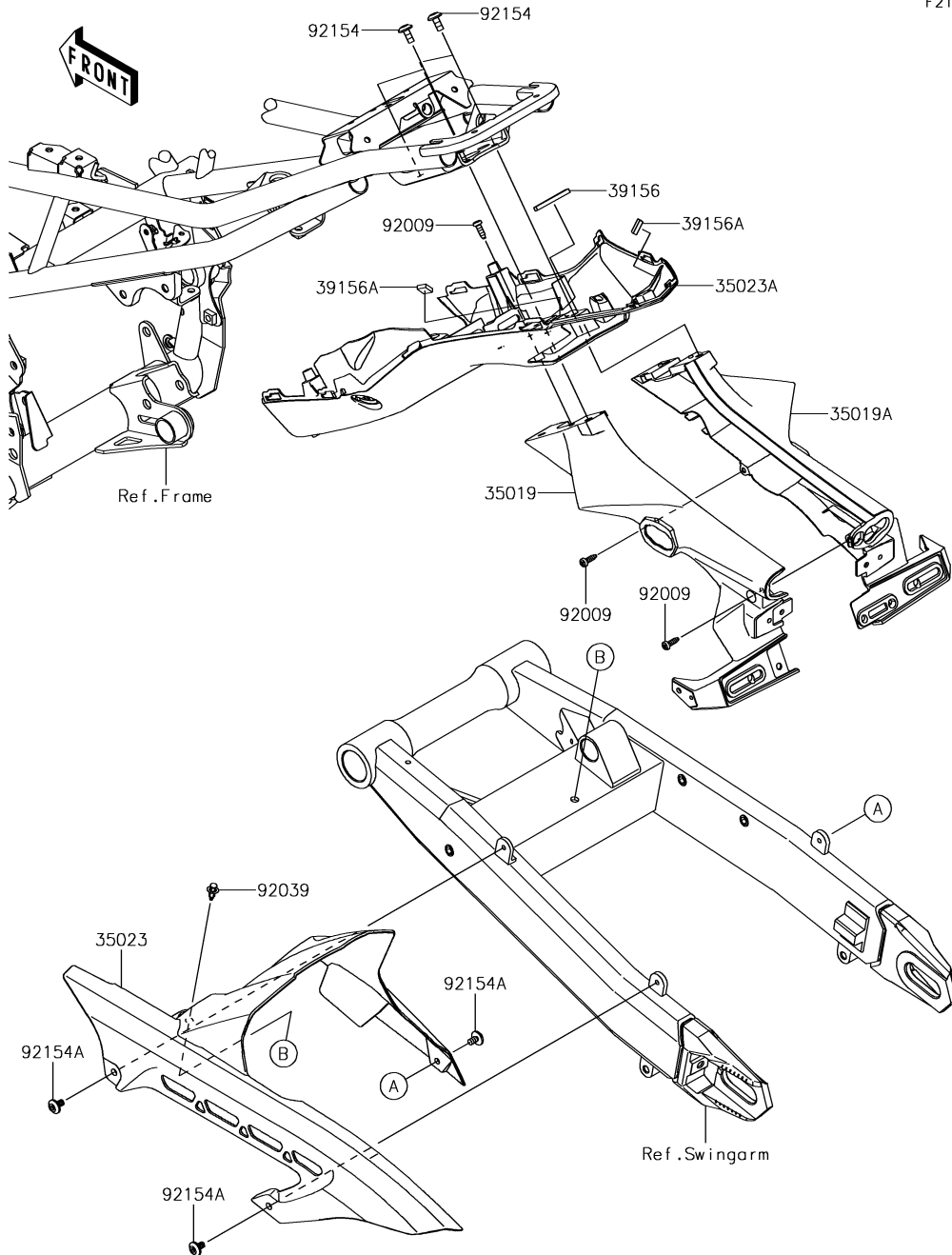
# '18 ZR900 BJJ



## 34. Front Fender(s)

| Ref. No. | Part No.       | Description              | Spec Code | Quantity |  |  |   |
|----------|----------------|--------------------------|-----------|----------|--|--|---|
|          |                |                          |           | '18      |  |  |   |
| 35004    | 35004-0359-36P | FENDER-FRONT,P.M.GRAY    |           |          |  |  | 1 |
| 35004A   | 35004-0359-660 | FENDER-FRONT,M.S.BLACK   |           |          |  |  | 1 |
| 35004B   | 35004-0359-739 | FENDER-FRONT,M.F.S.BLACK |           |          |  |  | 1 |
| 35004C   | 35004-0359-A5  | FENDER-FRONT,C.P.RED     |           |          |  |  | 1 |
| 92039    | 92039-1231     | RIVET                    |           |          |  |  | 4 |
| 92154    | 92154-2660     | BOLT,SOCKET,6X15         |           |          |  |  | 4 |
| 92173    | 92173-1600     | CLAMP,LH                 |           |          |  |  | 1 |
| 92173A   | 92173-1601     | CLAMP,RH                 |           |          |  |  | 1 |
| 92200    | 92200-1251     | WASHER,3.5X8X1           |           |          |  |  | 4 |
| 92200A   | 92200-1880     | WASHER,10.4X14X0.5       |           |          |  |  | 4 |

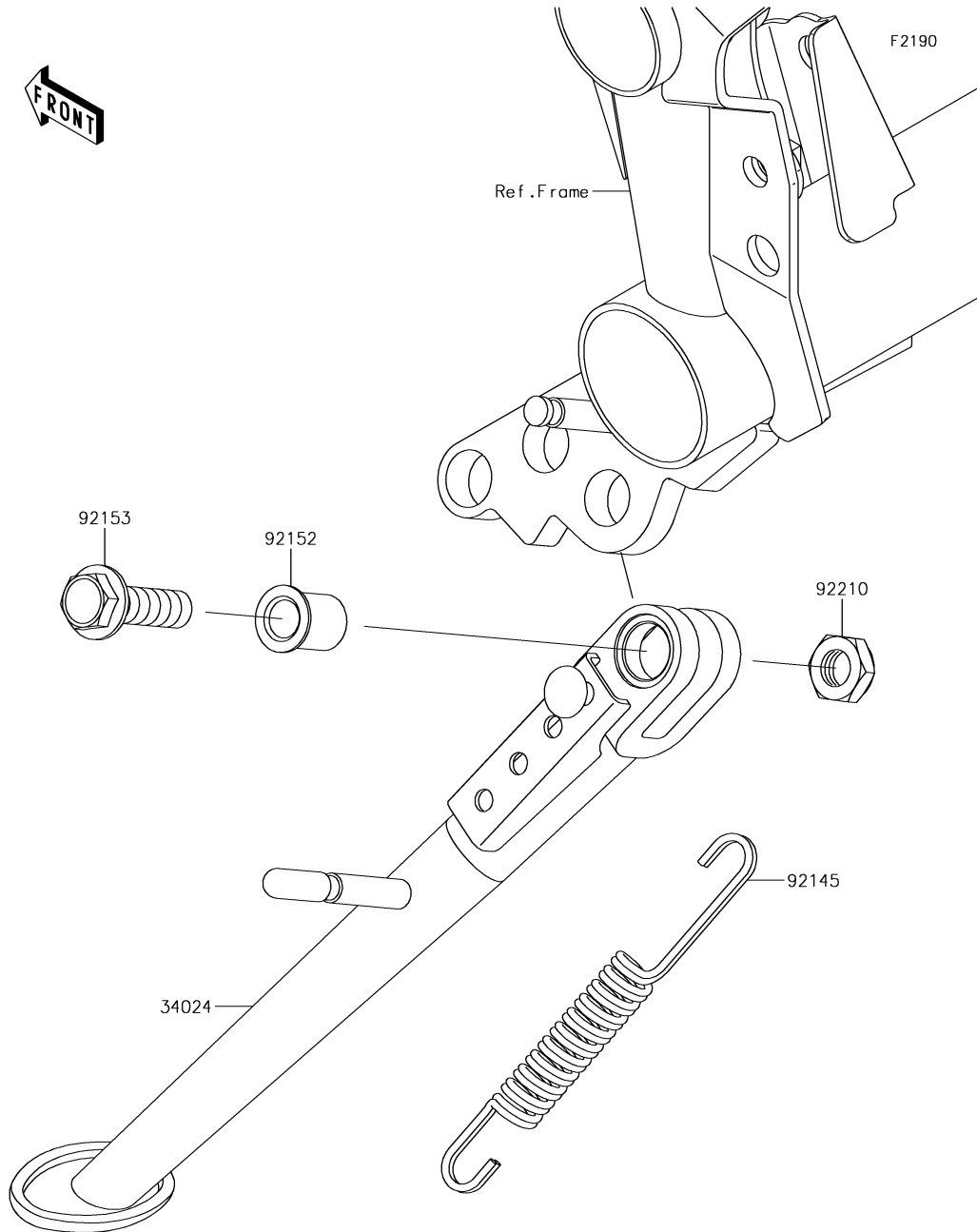
F2172



### 35. Rear Fender(s)

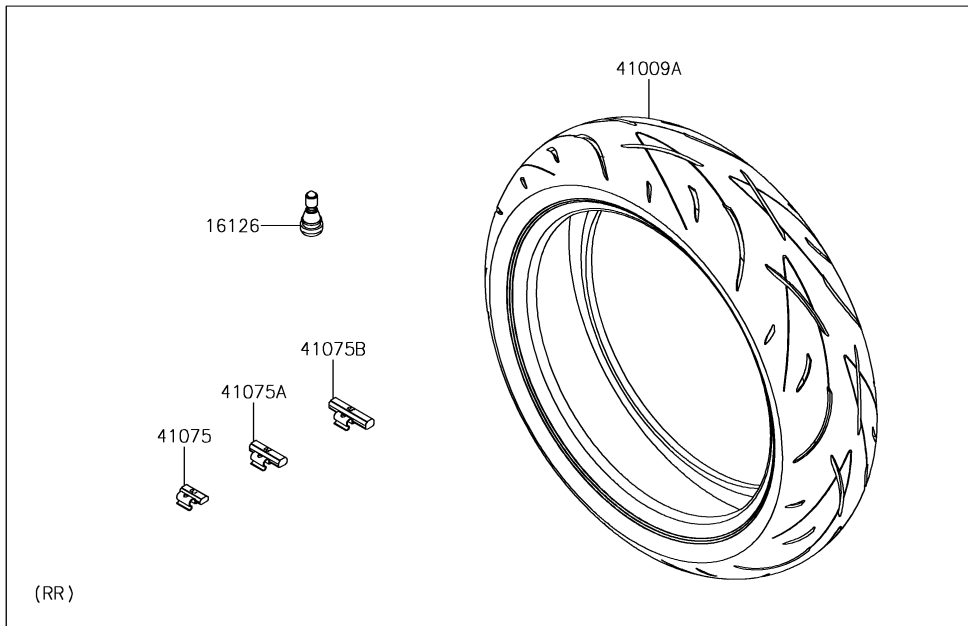
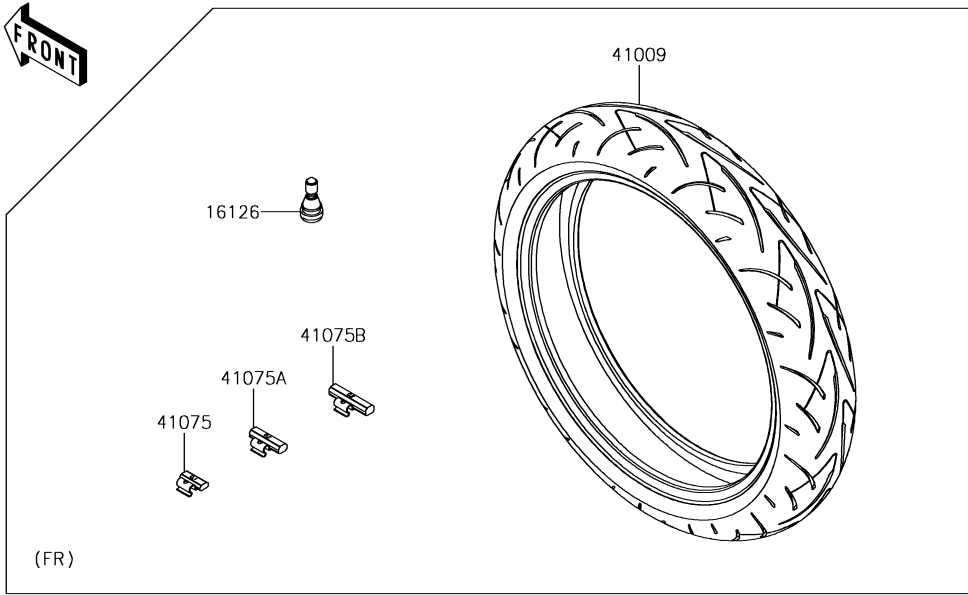
| Ref. No. | Part No.   | Description        | Spec Code | Quantity |  |   |  |
|----------|------------|--------------------|-----------|----------|--|---|--|
|          |            |                    |           | '18      |  |   |  |
| 35019    | 35019-0624 | FLAP,RR,LH         |           |          |  | 1 |  |
| 35019A   | 35019-0625 | FLAP,RR,RH         |           |          |  | 1 |  |
| 35023    | 35023-0421 | FENDER-REAR,INNER  |           |          |  | 1 |  |
| 35023A   | 35023-0435 | FENDER-REAR        |           |          |  | 1 |  |
| 39156    | 39156-2179 | PAD,4X44X5         |           |          |  | 1 |  |
| 39156A   | 39156-2180 | PAD,10X15X4        |           |          |  | 2 |  |
| 92009    | 92009-1984 | SCREW,TAPPING,5X16 |           |          |  | 3 |  |
| 92039    | 92039-0086 | RIVET              |           |          |  | 1 |  |
| 92154    | 92154-0745 | BOLT,SOCKET,6X14   |           |          |  | 4 |  |
| 92154A   | 92154-2667 | BOLT,SOCKET,6X10   |           |          |  | 3 |  |

36. Stand(s)



| Ref. No. | Part No.       | Description          | Spec Code | Quantity |  |  |   |
|----------|----------------|----------------------|-----------|----------|--|--|---|
|          |                |                      |           | '18      |  |  |   |
| 34024    | 34024-0141-18R | STAND-SIDE,F.S.BLACK |           |          |  |  | 1 |
| 92145    | 92145-0562     | SPRING,SIDE STAND    |           |          |  |  | 1 |
| 92152    | 92152-2248     | COLLAR,10.2X15X18.6  |           |          |  |  | 1 |
| 92153    | 92153-0802     | BOLT,FLANGED,10X35   |           |          |  |  | 1 |
| 92210    | 92210-0784     | NUT,LOCK,10MM        |           |          |  |  | 1 |

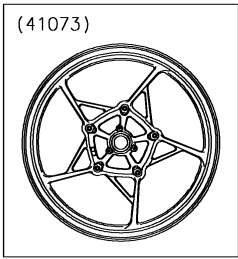
F2210



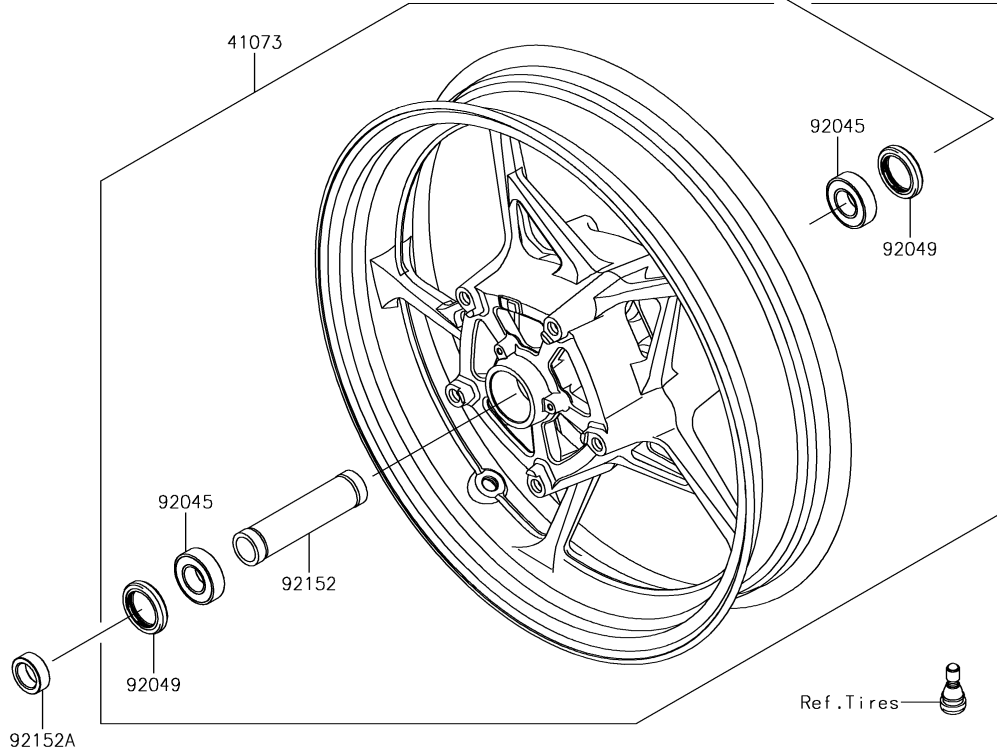
### 37. Tires

| Ref. No. | Part No.   | Description                   | Spec Code | Quantity |  |  |    |
|----------|------------|-------------------------------|-----------|----------|--|--|----|
|          |            |                               |           | '18      |  |  |    |
|          |            |                               |           | BJF      |  |  |    |
| 16126    | 16126-1140 | VALVE,TIRE                    |           |          |  |  | 2  |
| 41009    | 41009-0694 | TIRE,FR,120/70ZR17(58W),D214F |           |          |  |  | 1  |
| 41009A   | 41009-0695 | TIRE,RR,180/55ZR17(73W),D214  |           |          |  |  | 1  |
| 41075    | 41075-0007 | BALANCER-WHEEL,10G,SILVER     |           |          |  |  | AR |
| 41075A   | 41075-0008 | BALANCER-WHEEL,20G,SILVER     |           |          |  |  | AR |
| 41075B   | 41075-0009 | BALANCER-WHEEL,30G,SILVER     |           |          |  |  | AR |

F2230



WOD

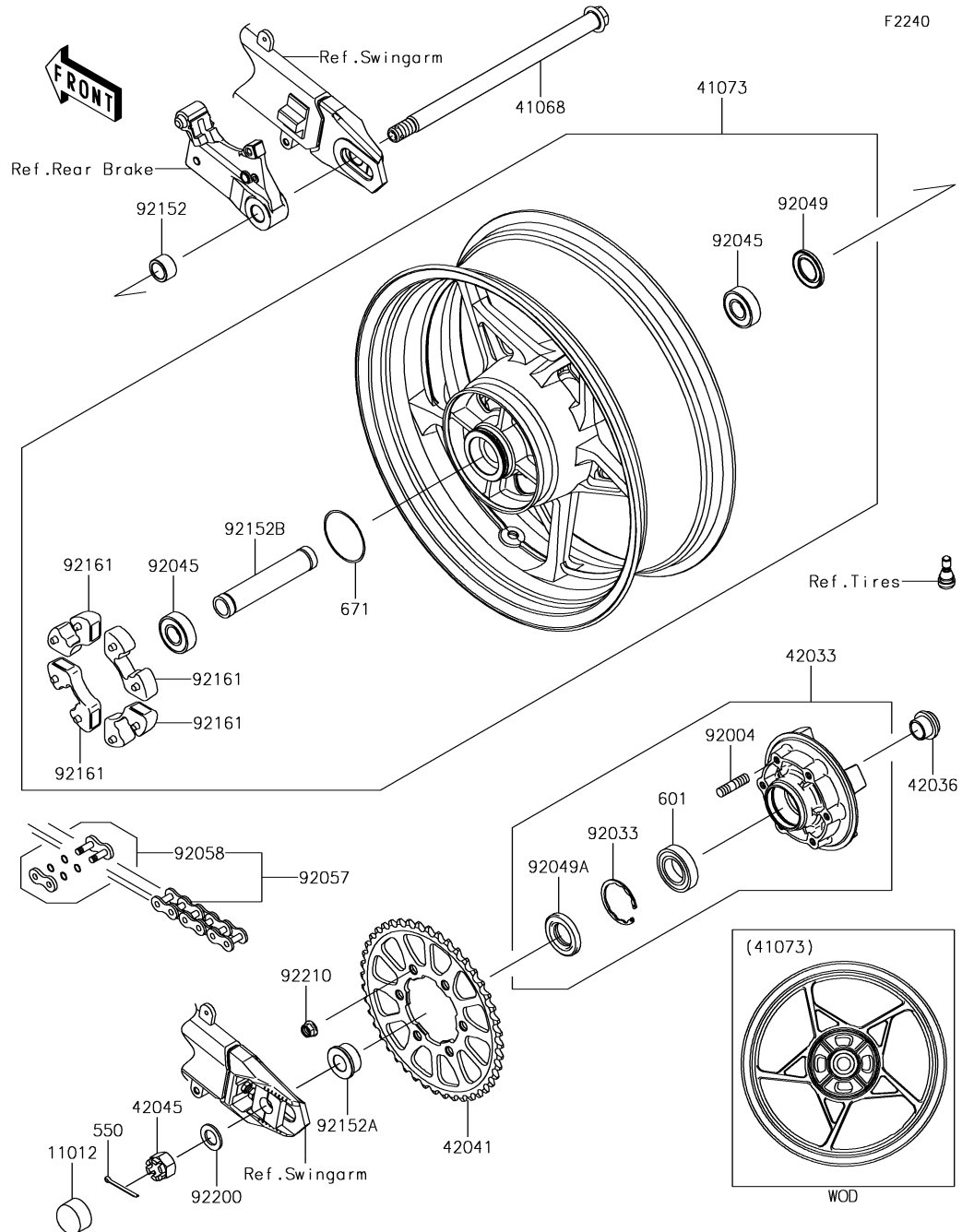


### 38. Front Hub

| Ref. No. | Part No.      | Description           | Spec Code | Quantity |  |  |   |
|----------|---------------|-----------------------|-----------|----------|--|--|---|
|          |               |                       |           | '18      |  |  |   |
| 41068    | 41068-0618    | AXLE,FR,20X199        |           |          |  |  | 1 |
| 41073    | 41073-0713-QT | WHEEL-ASSY,FR,G.BLACK |           |          |  |  | 1 |
| 92045    | 92045-0820    | BEARING-BALL,20X42X12 |           |          |  |  | 2 |
| 92049    | 92049-0130    | SEAL-OIL,BJN30427     |           |          |  |  | 2 |
| 92152    | 92152-2227    | COLLAR,20.2X27.2X115  |           |          |  |  | 1 |
| 92152A   | 92152-2249    | COLLAR,20X30X10.5     |           |          |  |  | 2 |



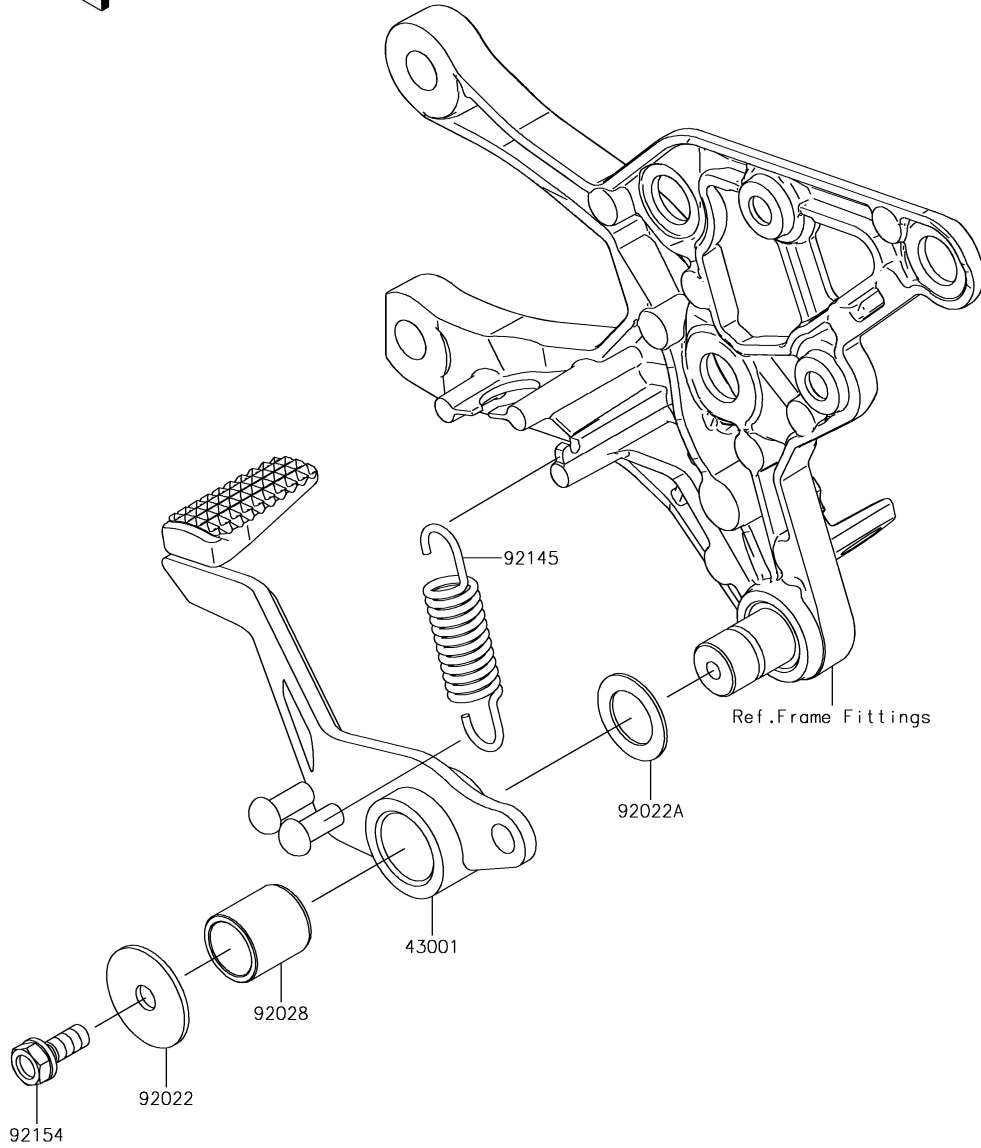
# '18 ZR900 BJJ



## 39. Rear Hub

| Ref. No. | Part No.      | Description                   | Spec Code | Quantity |  |  |   |
|----------|---------------|-------------------------------|-----------|----------|--|--|---|
|          |               |                               |           | '18      |  |  |   |
|          |               |                               |           | BJF      |  |  |   |
| 11012    | 11012-1590    | CAP,AXLE NUT                  |           |          |  |  | 1 |
| 41068    | 41068-0619    | AXLE,RR,18X327.2              |           |          |  |  | 1 |
| 41073    | 41073-0706-QT | WHEEL-ASSY,RR,G.BLACK         |           |          |  |  | 1 |
| 42033    | 42033-0570    | COUPLING-ASSY,RR HUB          |           |          |  |  | 1 |
| 42036    | 42036-1251    | SLEEVE,RR HUB,L=23            |           |          |  |  | 1 |
| 42041    | 42041-0158    | SPROCKET-HUB,44T              |           |          |  |  | 1 |
| 42045    | 42045-018     | NUT,CASTLE,18MM               |           |          |  |  | 1 |
| 92004    | 92004-0048    | STUD,10X19                    |           |          |  |  | 6 |
| 92033    | 92033-1043    | RING-SNAP,52MM                |           |          |  |  | 1 |
| 92045    | 92045-0821    | BEARING-BALL,20X47X14         |           |          |  |  | 2 |
| 92049    | 92049-0140    | SEAL-OIL,28 47 5              |           |          |  |  | 1 |
| 92049A   | 92049-1287    | SEAL-OIL                      |           |          |  |  | 1 |
| 92057    | 92057-0672    | CHAIN,DRIVE,EK525RMX3/3D,114L |           |          |  |  | 1 |
| 92058    | 92058-0041    | JOINT-CHAIN                   |           |          |  |  | 1 |
| 92152    | 92152-1583    | COLLAR,20X28X16.4             |           |          |  |  | 1 |
| 92152A   | 92152-1585    | COLLAR,20X35X18               |           |          |  |  | 1 |
| 92152B   | 92152-2250    | COLLAR,20.2X27.2X141.9        |           |          |  |  | 1 |
| 92161    | 92161-0342    | DAMPER,SHOCK,RR HUB           |           |          |  |  | 4 |
| 92200    | 92200-1489    | WASHER,19X32X2.6              |           |          |  |  | 1 |
| 92210    | 92210-0276    | NUT,LOCK,FLANGED,10MM         |           |          |  |  | 6 |
| 550      | 550AA4040     | PIN-COTTER,4.0X40             |           |          |  |  | 1 |
| 601      | 601B6205UU    | BEARING-BALL                  |           |          |  |  | 1 |
| 671      | 671B2560      | O RING,60MM                   |           |          |  |  | 1 |

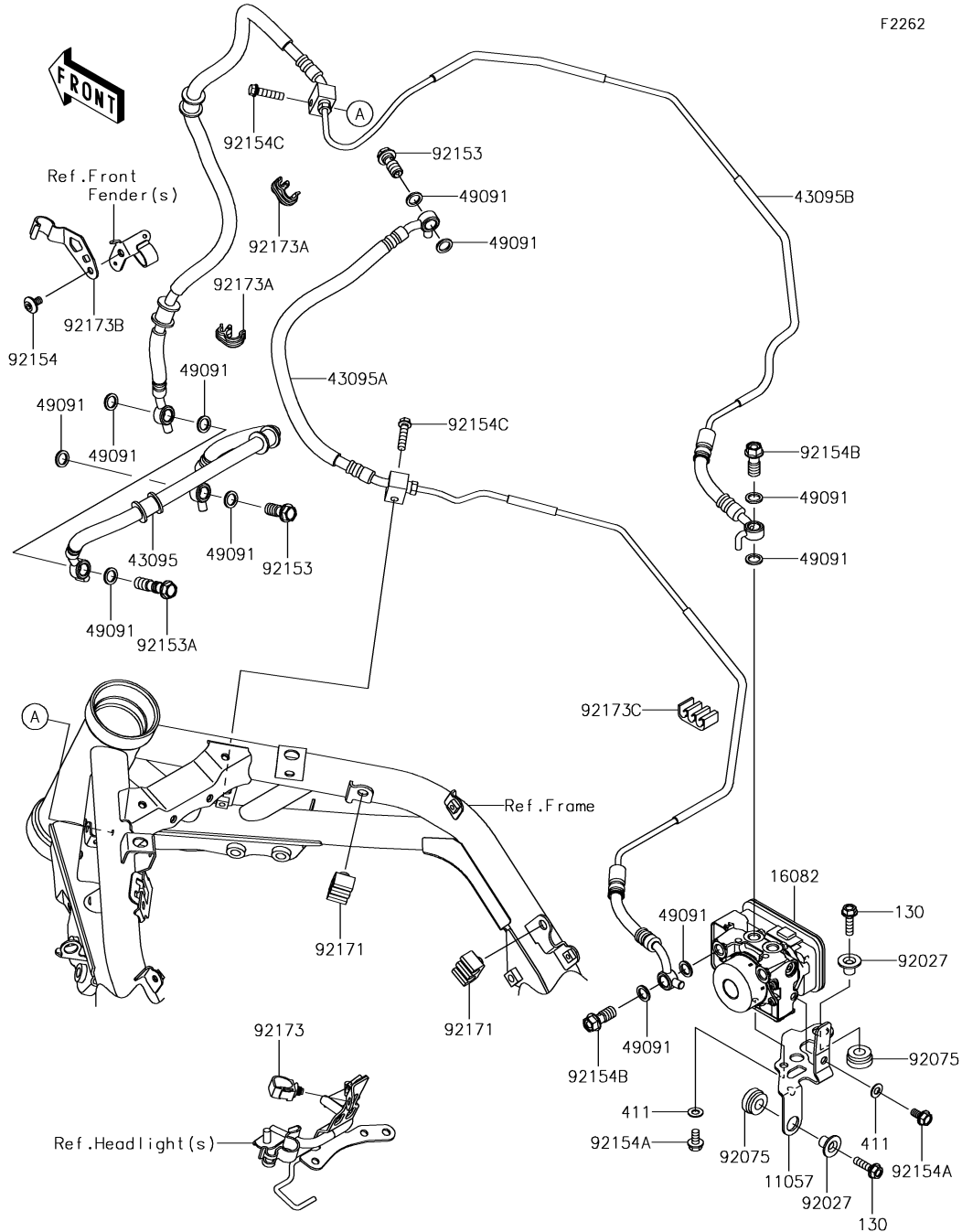
F2260



## 40. Brake Pedal

| Ref. No. | Part No.   | Description         | Spec Code | Quantity |  |  |   |
|----------|------------|---------------------|-----------|----------|--|--|---|
|          |            |                     |           | '18      |  |  |   |
| 43001    | 43001-0749 | LEVER-BRAKE         |           |          |  |  | 1 |
| 92022    | 92022-1282 | WASHER,7X28X1.6     |           |          |  |  | 1 |
| 92022A   | 92022-326  | WASHER,15.3X24X1    |           |          |  |  | 1 |
| 92028    | 92028-1282 | BUSHING,BRAKE PEDAL |           |          |  |  | 1 |
| 92145    | 92145-0893 | SPRING,BRAKE PEDAL  |           |          |  |  | 1 |
| 92154    | 92154-0935 | BOLT,UPSET-WS,6X16  |           |          |  |  | 1 |

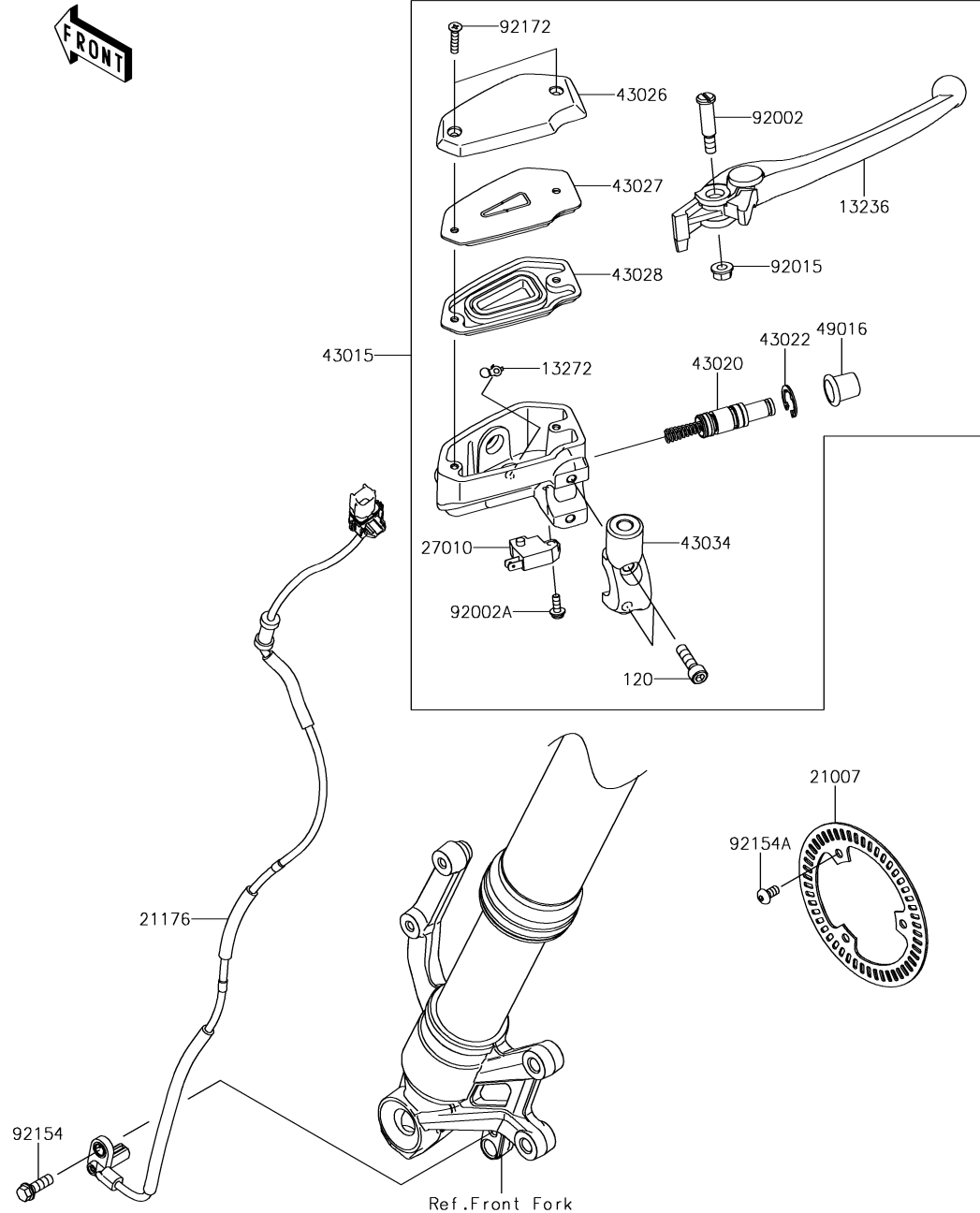
F2262



## 41. Brake Piping

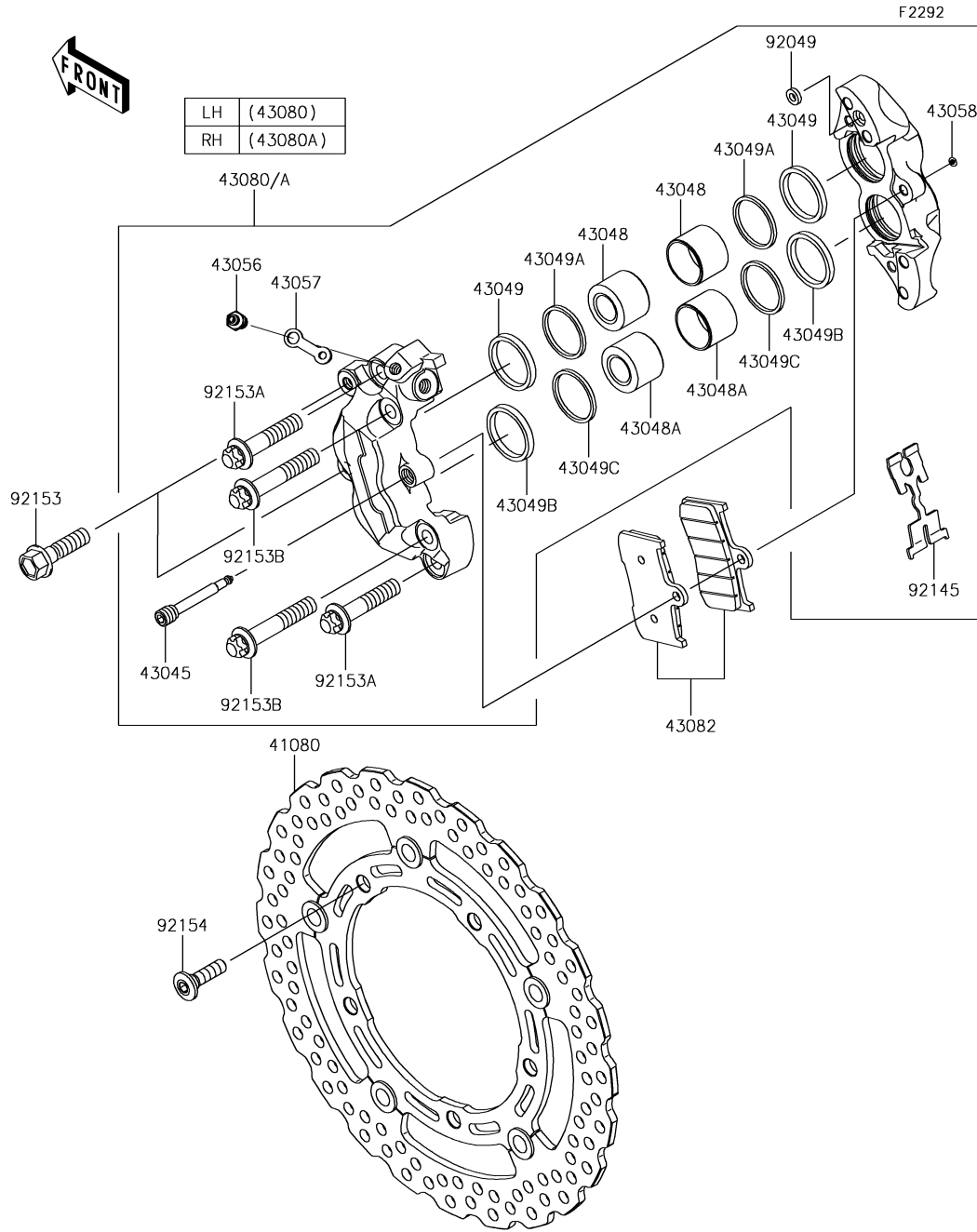
| Ref. No. | Part No.   | Description                    | Spec Code | Quantity |     |
|----------|------------|--------------------------------|-----------|----------|-----|
|          |            |                                |           | '18      | BJJ |
| 11057    | 11057-0256 | BRACKET                        |           | 1        |     |
| 16082    | 16082-0769 | PUMP-ASSY-OIL,ABS              |           | 1        |     |
| 43095    | 43095-0970 | HOSE-BRAKE,FR,444MM            |           | 1        |     |
| 43095A   | 43095-0999 | HOSE-BRAKE,FR M/CYL.-ABS UNIT  |           | 1        |     |
| 43095B   | 43095-1000 | HOSE-BRAKE,ABS UNIT-FR CALIPER |           | 1        |     |
| 49091    | 49091-0001 | WASHER-SEAL,10.1X14.5X1.5      |           | 11       |     |
| 92027    | 92027-1651 | COLLAR,FLANGED,L=12.1,BLACK    |           | 2        |     |
| 92075    | 92075-277  | DAMPER                         |           | 2        |     |
| 92153    | 92153-0627 | BOLT,OIL,L=23                  |           | 2        |     |
| 92153A   | 92153-0628 | BOLT,OIL,L=37                  |           | 1        |     |
| 92154    | 92154-0774 | BOLT,SOCKET,6X10               |           | 1        |     |
| 92154A   | 92154-1050 | BOLT,FLANGED,6X12              |           | 2        |     |
| 92154B   | 92154-1138 | BOLT,BANJO,10X22               |           | 2        |     |
| 92154C   | 92154-2154 | BOLT,FLANGED,6X25              |           | 2        |     |
| 92171    | 92171-0818 | CLAMP                          |           | 2        |     |
| 92173    | 92173-0868 | CLAMP,HOLDER CLIP              |           | 1        |     |
| 92173A   | 92173-1613 | CLAMP,HOSE&SENSOR LINE         |           | 2        |     |
| 92173B   | 92173-1634 | CLAMP,FR FENDER                |           | 1        |     |
| 92173C   | 92173-1705 | CLAMP,PIPE TRIPLE              |           | 1        |     |
| 130      | 130BA0622  | BOLT-FLANGED,6X22              |           | 2        |     |
| 411      | 411AA0600  | WASHER-PLAIN,6MM               |           | 2        |     |

## 42. Front Master Cylinder

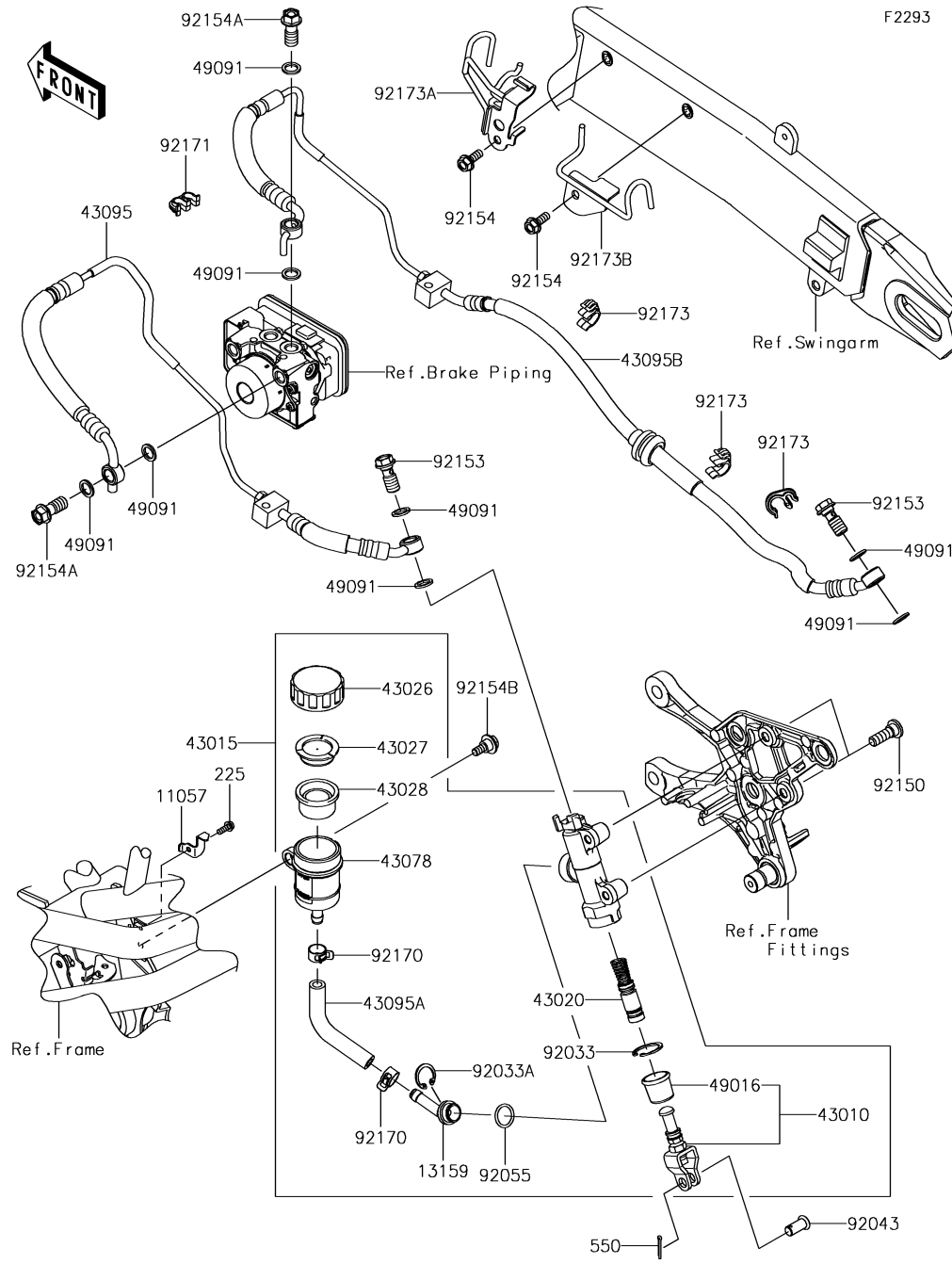


| Ref. No. | Part No.   | Description                  | Spec Code | Quantity |  |  |   |
|----------|------------|------------------------------|-----------|----------|--|--|---|
|          |            |                              |           | '18      |  |  |   |
|          |            |                              |           | BJF      |  |  |   |
| 13236    | 13236-0140 | LEVER-COMP,FRONT BRAKE       |           |          |  |  | 1 |
| 13272    | 13272-0573 | PLATE                        |           |          |  |  | 1 |
| 21007    | 21007-0643 | ROTOR,SENSOR,FR              |           |          |  |  | 1 |
| 21176    | 21176-0861 | SENSOR,SPEED,FR              |           |          |  |  | 1 |
| 27010    | 27010-0025 | SWITCH,BRAKE                 |           |          |  |  | 1 |
| 43015    | 43015-0588 | CYLINDER-ASSY-MASTER,FR      |           |          |  |  | 1 |
| 43020    | 43020-0008 | PISTON-COMP-BRAKE            |           |          |  |  | 1 |
| 43022    | 43022-1010 | STOPPER-BRAKE,PISTON         |           |          |  |  | 1 |
| 43026    | 43026-0019 | CAP-BRAKE                    |           |          |  |  | 1 |
| 43027    | 43027-0008 | PLATE-DIAPHRAGM              |           |          |  |  | 1 |
| 43028    | 43028-0015 | DIAPHRAGM                    |           |          |  |  | 1 |
| 43034    | 43034-0049 | HOLDER-BRAKE,MASTER CYLINDER |           |          |  |  | 1 |
| 49016    | 49016-1044 | COVER-SEAL,MASTER CYLINDER   |           |          |  |  | 1 |
| 92002    | 92002-1322 | BOLT,LEVER SET,BLACK         |           |          |  |  | 1 |
| 92002A   | 92002-1323 | BOLT,SCREW,4X12              |           |          |  |  | 1 |
| 92015    | 92015-1528 | NUT,FLANGED,6MM              |           |          |  |  | 1 |
| 92154    | 92154-0784 | BOLT,FLANGED,6X18            |           |          |  |  | 1 |
| 92154A   | 92154-1292 | BOLT,SOCKET,5X10             |           |          |  |  | 3 |
| 92172    | 92172-0320 | SCREW,4X20                   |           |          |  |  | 2 |
| 120      | 120CB0622  | BOLT-SOCKET,6X22             |           |          |  |  | 2 |

43. Front Brake



| Ref. No. | Part No.       | Description                  | Spec Code | Quantity |  |  |    |
|----------|----------------|------------------------------|-----------|----------|--|--|----|
|          |                |                              |           | '18      |  |  |    |
|          |                |                              |           | BJF      |  |  |    |
| 41080    | 41080-0676-11I | DISC,FR,BLACK+SIL            |           |          |  |  | 2  |
| 43045    | 43045-1053     | SHAFT-CALIPER                |           |          |  |  | 2  |
| 43048    | 43048-0001     | PISTON-CALIPER               |           |          |  |  | 4  |
| 43048A   | 43048-0021     | PISTON-CALIPER               |           |          |  |  | 4  |
| 43049    | 43049-0006     | PACKING                      |           |          |  |  | 4  |
| 43049A   | 43049-0007     | PACKING                      |           |          |  |  | 4  |
| 43049B   | 43049-0030     | PACKING                      |           |          |  |  | 4  |
| 43049C   | 43049-0031     | PACKING                      |           |          |  |  | 4  |
| 43056    | 43056-1055     | BREATHER                     |           |          |  |  | 2  |
| 43057    | 43057-1001     | CAP-BREATHER                 |           |          |  |  | 2  |
| 43058    | 43058-1100     | RING,STOPPER                 |           |          |  |  | 2  |
| 43080    | 43080-0130-DJ  | CALIPER-SUB-ASSY,FR,LH,BLACK |           |          |  |  | 1  |
| 43080A   | 43080-0131-DJ  | CALIPER-SUB-ASSY,FR,RH,BLACK |           |          |  |  | 1  |
| 43082    | 43082-0168     | PAD-ASSY-BRAKE               |           |          |  |  | 2  |
| 92049    | 92049-1448     | SEAL-OIL                     |           |          |  |  | 2  |
| 92145    | 92145-0184     | SPRING,PAD                   |           |          |  |  | 2  |
| 92153    | 92153-1089     | BOLT,FLANGED,8X30            |           |          |  |  | 4  |
| 92153A   | 92153-1093     | BOLT,TORX,8X38               |           |          |  |  | 4  |
| 92153B   | 92153-1094     | BOLT,TORX,8X45               |           |          |  |  | 4  |
| 92154    | 92154-0844     | BOLT,SOCKET,8X30             |           |          |  |  | 10 |

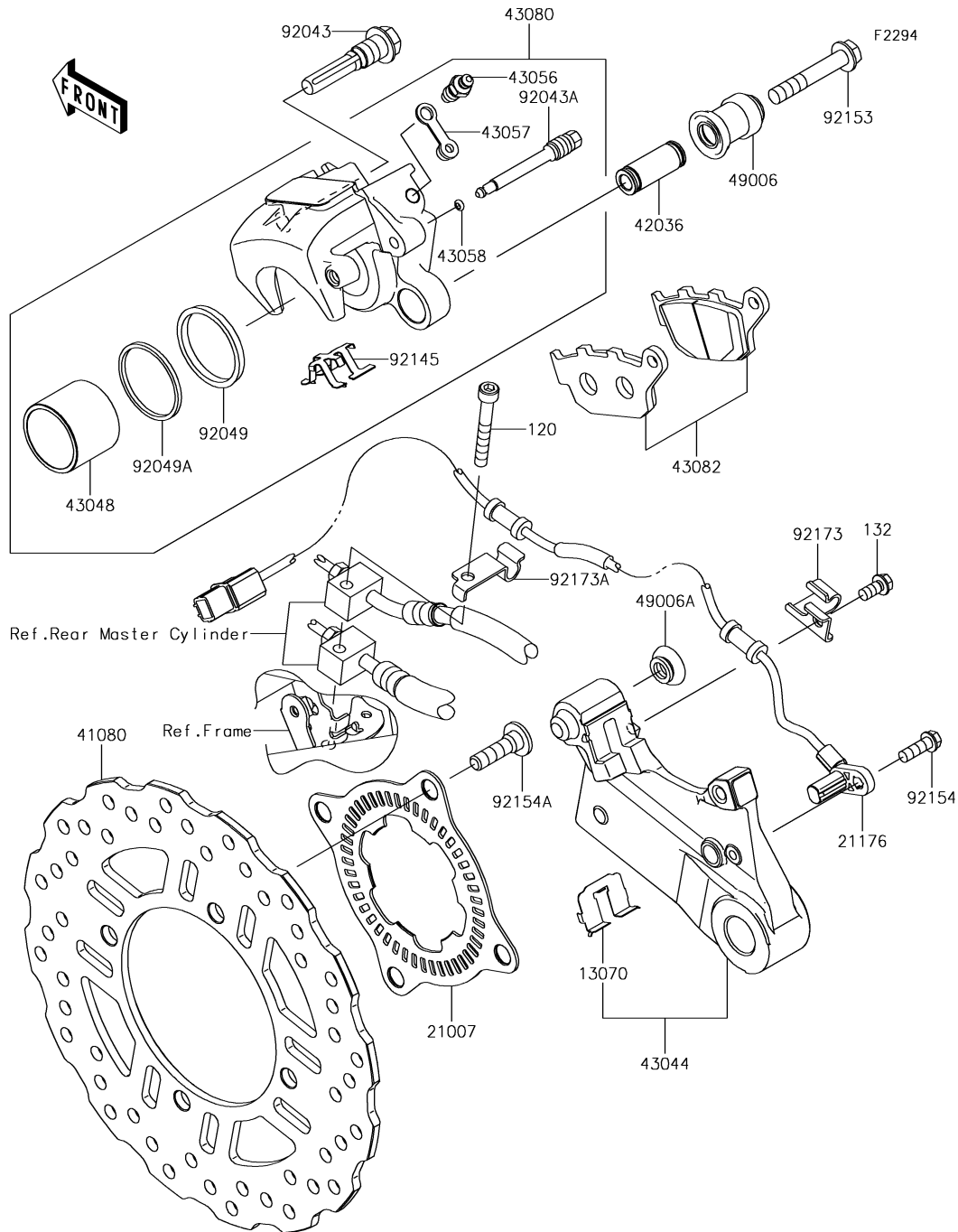


F2293

## 44. Rear Master Cylinder

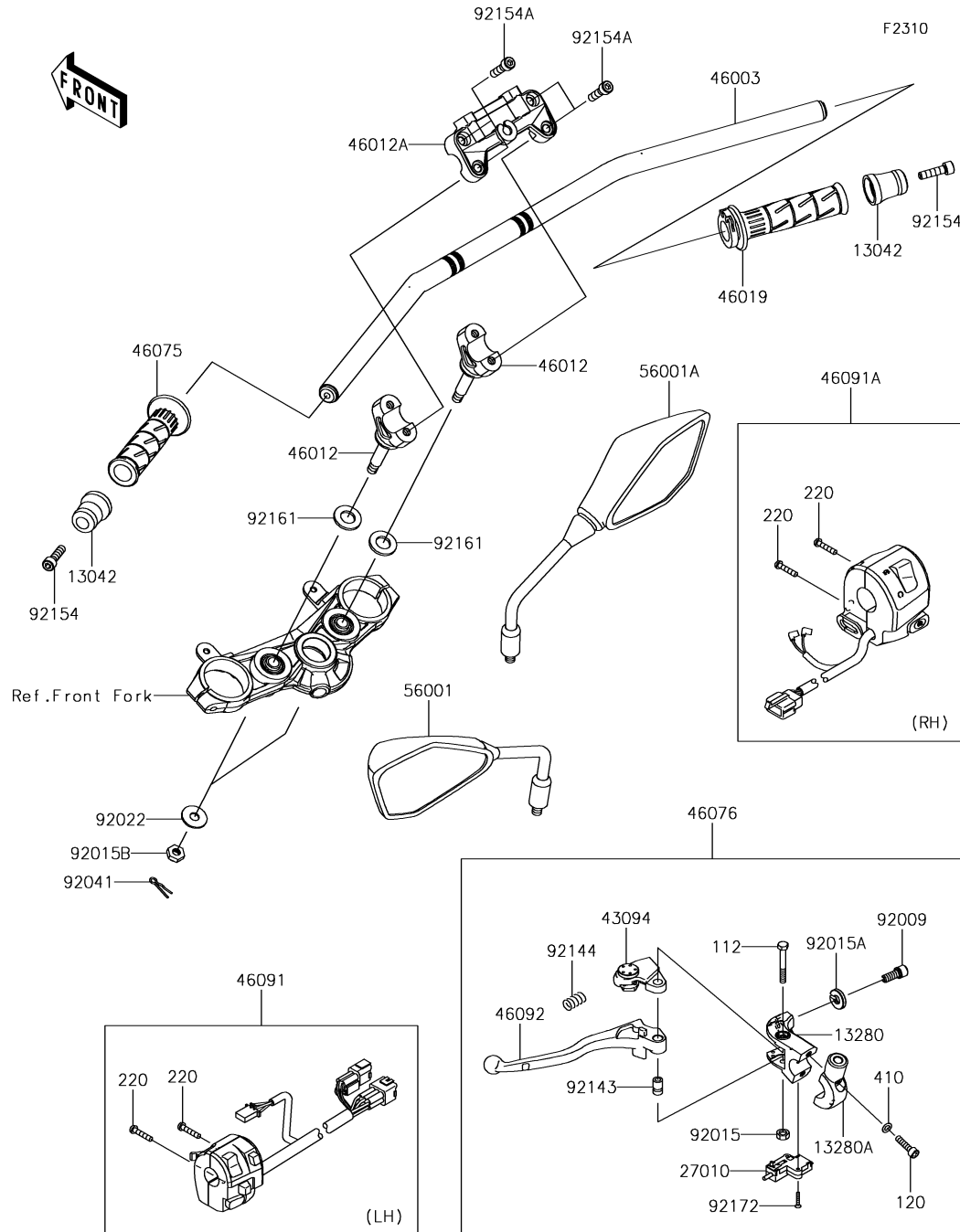
| Ref. No. | Part No.   | Description                    | Spec Code | Quantity |     |
|----------|------------|--------------------------------|-----------|----------|-----|
|          |            |                                |           | '18      | BJJ |
| 11057    | 11057-0258 | BRACKET                        |           | 1        |     |
| 13159    | 13159-0008 | CONNECTOR                      |           | 1        |     |
| 43010    | 43010-0020 | ROD-ASSY-BRAKE                 |           | 1        |     |
| 43015    | 43015-0650 | CYLINDER-ASSY-MASTER,RR        |           | 1        |     |
| 43020    | 43020-1094 | PISTON-COMP-BRAKE              |           | 1        |     |
| 43026    | 43026-0009 | CAP-BRAKE                      |           | 1        |     |
| 43027    | 43027-1053 | PLATE-DIAPHRAGM                |           | 1        |     |
| 43028    | 43028-1065 | DIAPHRAGM                      |           | 1        |     |
| 43078    | 43078-0060 | RESERVOIR                      |           | 1        |     |
| 43095    | 43095-1426 | HOSE-BRAKE,RR M/CYL.-ABS UNIT  |           | 1        |     |
| 43095A   | 43095-1432 | HOSE-BRAKE,RR M/CYL.           |           | 1        |     |
| 43095B   | 43095-1494 | HOSE-BRAKE,ABS UNIT-RR CALIPER |           | 1        |     |
| 49016    | 49016-1103 | COVER-SEAL,BRAKE PISTON        |           | 1        |     |
| 49091    | 49091-0001 | WASHER-SEAL,10.1X14.5X1.5      |           | 8        |     |
| 92033    | 92033-0079 | RING-SNAP,20.9X24.6X1.2        |           | 1        |     |
| 92033A   | 92033-1186 | RING-SNAP,20.5MM               |           | 1        |     |
| 92043    | 92043-0904 | PIN                            |           | 1        |     |
| 92055    | 92055-0741 | RING-O,14.8X2.4                |           | 1        |     |
| 92150    | 92150-1837 | BOLT,SOCKET,8X25               |           | 2        |     |
| 92153    | 92153-0627 | BOLT,OIL,L=23                  |           | 2        |     |
| 92154    | 92154-1055 | BOLT,FLANGED,6X16              |           | 2        |     |
| 92154A   | 92154-1138 | BOLT,BANJO,10X22               |           | 2        |     |
| 92154B   | 92154-2685 | BOLT,FLANGED,6X16              |           | 1        |     |
| 92170    | 92170-1091 | CLAMP,HOSE                     |           | 2        |     |
| 92171    | 92171-0817 | CLAMP                          |           | 1        |     |
| 92173    | 92173-1613 | CLAMP,HOSE&SENSOR LINE         |           | 3        |     |
| 92173A   | 92173-1640 | CLAMP,SWA,FR                   |           | 1        |     |
| 92173B   | 92173-1768 | CLAMP,SWA,RR                   |           | 1        |     |
| 225      | 225AB0412  | SCREW-PAN-WSP-CROS,4X12        |           | 1        |     |
| 550      | 550AA2015  | PIN-COTTER,2.0X15              |           | 1        |     |

# '18 ZR900 BJJ



## 45. Rear Brake

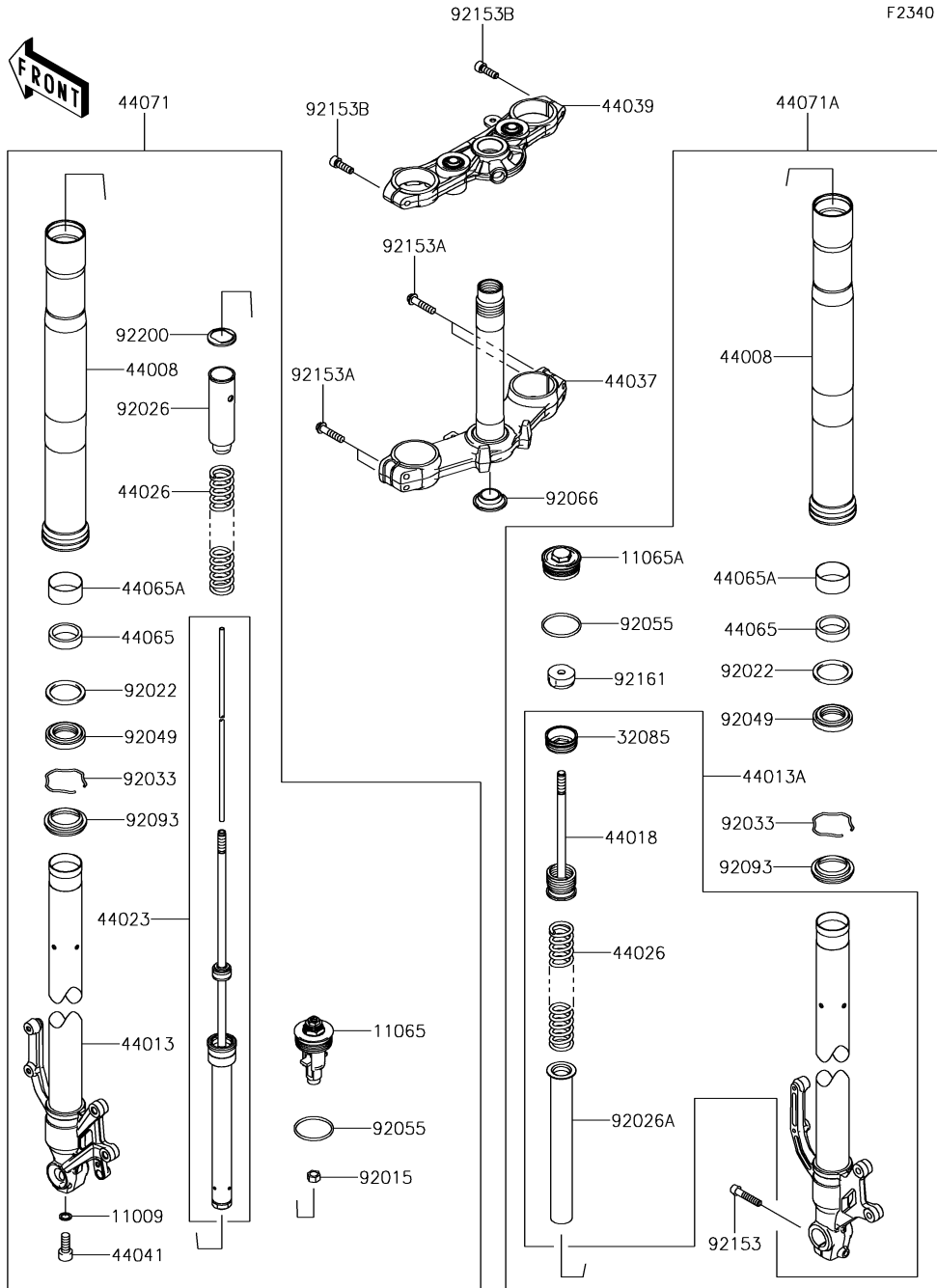
| Ref. No. | Part No.      | Description               | Spec Code | Quantity |  |  |   |
|----------|---------------|---------------------------|-----------|----------|--|--|---|
|          |               |                           |           | '18      |  |  |   |
|          |               |                           |           | BJF      |  |  |   |
| 13070    | 13070-0795    | GUIDE,BRACKET RETAINER    |           |          |  |  | 1 |
| 21007    | 21007-0645    | ROTOR,SENSOR,RR           |           |          |  |  | 1 |
| 21176    | 21176-0870    | SENSOR,SPEED,RR           |           |          |  |  | 1 |
| 41080    | 41080-0668    | DISC,RR                   |           |          |  |  | 1 |
| 42036    | 42036-0050    | SLEEVE                    |           |          |  |  | 1 |
| 43044    | 43044-0082    | HOLDER-COMP-CALIPER       |           |          |  |  | 1 |
| 43048    | 43048-0008    | PISTON-CALIPER            |           |          |  |  | 1 |
| 43056    | 43056-1055    | BREATHER                  |           |          |  |  | 1 |
| 43057    | 43057-1001    | CAP-BREATHER              |           |          |  |  | 1 |
| 43058    | 43058-1100    | RING,STOPPER              |           |          |  |  | 1 |
| 43080    | 43080-0156-DJ | CALIPER-SUB-ASSY,RR,BLACK |           |          |  |  | 1 |
| 43082    | 43082-0151    | PAD-ASSY-BRAKE            |           |          |  |  | 1 |
| 49006    | 49006-0058    | BOOT                      |           |          |  |  | 1 |
| 49006A   | 49006-1242    | BOOT,CALIPER              |           |          |  |  | 1 |
| 92043    | 92043-0137    | PIN                       |           |          |  |  | 1 |
| 92043A   | 92043-0820    | PIN,HANGER                |           |          |  |  | 1 |
| 92049    | 92049-1449    | SEAL-OIL                  |           |          |  |  | 1 |
| 92049A   | 92049-1450    | SEAL-OIL                  |           |          |  |  | 1 |
| 92145    | 92145-0493    | SPRING,PAD                |           |          |  |  | 1 |
| 92153    | 92153-1826    | BOLT,FLANGED              |           |          |  |  | 1 |
| 92154    | 92154-0784    | BOLT,FLANGED,6X18         |           |          |  |  | 1 |
| 92154A   | 92154-0844    | BOLT,SOCKET,8X30          |           |          |  |  | 4 |
| 92173    | 92173-1637    | CLAMP,CALIPER HOLDER      |           |          |  |  | 1 |
| 92173A   | 92173-1638    | CLAMP,PIPE JOINT          |           |          |  |  | 1 |
| 120      | 120CA0645     | BOLT-SOCKET,6X45          |           |          |  |  | 1 |
| 132      | 132BA0612     | BOLT-FLANGED-SMALL,6X12   |           |          |  |  | 1 |



## 46. Handlebar

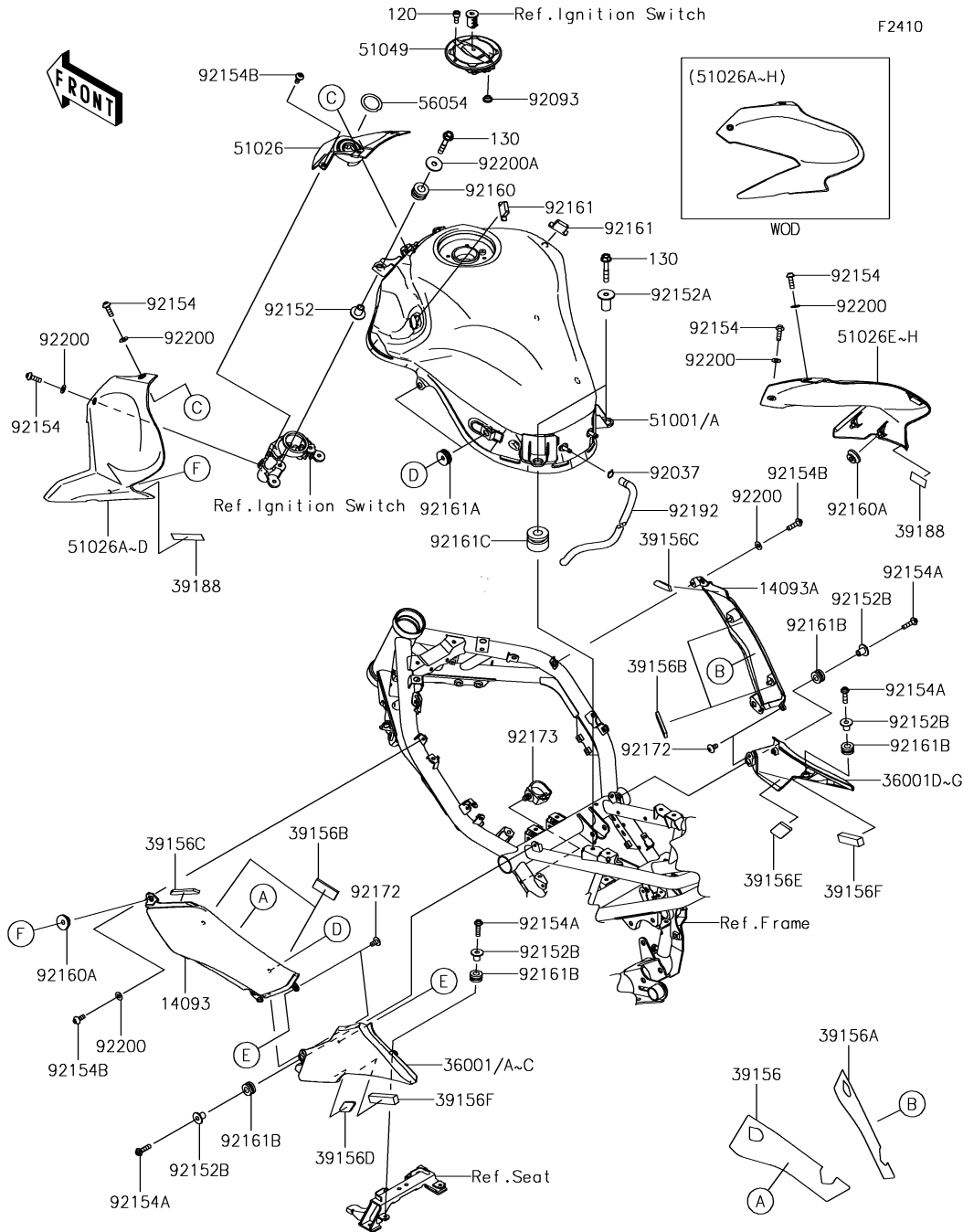
| Ref. No. | Part No.       | Description                   | Spec Code | Quantity |   |  |  |
|----------|----------------|-------------------------------|-----------|----------|---|--|--|
|          |                |                               |           | '18      |   |  |  |
|          |                |                               |           | BJF      |   |  |  |
| 13042    | 13042-5011     | WEIGHT,HANDLE                 |           |          | 2 |  |  |
| 13280    | 13280-0306     | HOLDER,CLUTCH LEVER           |           |          | 1 |  |  |
| 13280A   | 13280-0307     | HOLDER,CLUTCH LEVER           |           |          | 1 |  |  |
| 27010    | 27010-0849     | SWITCH,CLUTCH                 |           |          | 1 |  |  |
| 43094    | 43094-0009     | ADJUSTER                      |           |          | 1 |  |  |
| 46003    | 46003-0673-18R | HANDLE,F.S.BLACK              |           |          | 1 |  |  |
| 46012    | 46012-0376-18R | HOLDER-HANDLE,LWR,F.S.BLACK   |           |          | 2 |  |  |
| 46012A   | 46012-0377-18R | HOLDER-HANDLE,UPP,F.S.BLACK   |           |          | 1 |  |  |
| 46019    | 46019-0060     | GRIP-ASSY,THROTTLE            |           |          | 1 |  |  |
| 46075    | 46075-0564     | GRIP,HANDLE,LH                |           |          | 1 |  |  |
| 46076    | 46076-0122     | LEVER-ASSY-GRIP               |           |          | 1 |  |  |
| 46091    | 46091-0344     | HOUSING-ASSY-CONTROL,LH       |           |          | 1 |  |  |
| 46091A   | 46091-0345     | HOUSING-ASSY-CONTROL,RH       |           |          | 1 |  |  |
| 46092    | 46092-0569     | LEVER-GRIP,CLUTCH             |           |          | 1 |  |  |
| 56001    | 56001-0299     | MIRROR-ASSY,LH                |           |          | 1 |  |  |
| 56001A   | 56001-0300     | MIRROR-ASSY,RH                |           |          | 1 |  |  |
| 92009    | 92009-1134     | SCREW,CABLE ADJUST,8MM,BLACK  |           |          | 1 |  |  |
| 92015    | 92015-1191     | NUT,LOCK,6MM,BLACK            |           |          | 1 |  |  |
| 92015A   | 92015-1197     | NUT,CABLE ADJUST LOCK,8MM,BLK |           |          | 1 |  |  |
| 92015B   | 92015-1962     | NUT,LOCK,10MM                 |           |          | 2 |  |  |
| 92022    | 92022-1088     | WASHER,10.2X28X2              |           |          | 2 |  |  |
| 92041    | 92041-1060     | COTTER,8MM                    |           |          | 2 |  |  |
| 92143    | 92143-1379     | COLLAR                        |           |          | 1 |  |  |
| 92144    | 92144-1467     | SPRING                        |           |          | 1 |  |  |
| 92154    | 92154-0440     | BOLT,SOCKET,8X30              |           |          | 2 |  |  |
| 92154A   | 92154-2683     | BOLT,SOCKET,8X30              |           |          | 4 |  |  |
| 92161    | 92161-0037     | DAMPER                        |           |          | 2 |  |  |
| 92172    | 92172-0183     | SCREW,3X16                    |           |          | 2 |  |  |
| 112      | 112BB0645      | BOLT-UPSET,6X45               |           |          | 1 |  |  |
| 120      | 120CB0625      | BOLT-SOCKET,6X25              |           |          | 2 |  |  |
| 220      | 220AB0525      | SCREW-PAN-CROS,5X25           |           |          | 4 |  |  |
| 410      | 410AB0600      | WASHER-PLAIN-SMALL,6MM        |           |          | 2 |  |  |





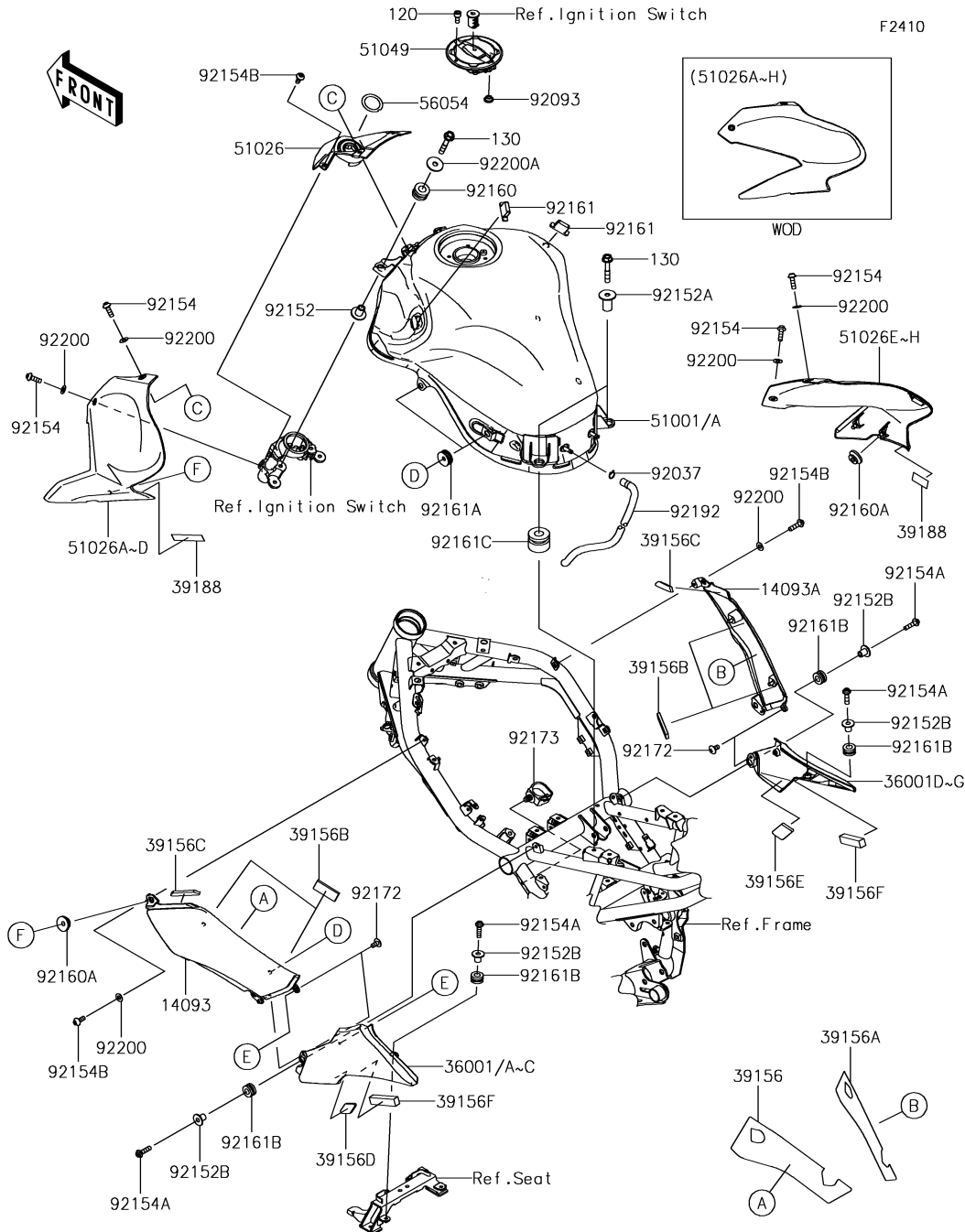
| Ref. No. | Part No. | Description | Spec Code | Quantity |  |  |  |
|----------|----------|-------------|-----------|----------|--|--|--|
|          |          |             |           | '18      |  |  |  |
|          |          |             |           | BJJ      |  |  |  |

|        |                |                               |  |  |  |  |   |
|--------|----------------|-------------------------------|--|--|--|--|---|
| 11009  | 11009-1325     | GASKET,10.5X15X1.5            |  |  |  |  | 1 |
| 11065  | 11065-0972-58Z | CAP,COMP.,LH,BLACK            |  |  |  |  | 1 |
| 11065A | 11065-0973-11G | CAP,COMP.,RH,GRAY             |  |  |  |  | 1 |
| 32085  | 32085-0742     | STOPPER                       |  |  |  |  | 1 |
| 44008  | 44008-0062-499 | PIPE-FORK OUTER,A.BLACK       |  |  |  |  | 2 |
| 44013  | 44013-0292     | PIPE-FORK INNER,LH            |  |  |  |  | 1 |
| 44013A | 44013-0319     | PIPE-FORK INNER,RH            |  |  |  |  | 1 |
| 44018  | 44018-0003     | PISTON-FORK                   |  |  |  |  | 1 |
| 44023  | 44023-0139     | CYLINDER-SET-FORK,LH          |  |  |  |  | 1 |
| 44026  | 44026-0208     | SPRING-FRONT FORK             |  |  |  |  | 2 |
| 44037  | 44037-0167-18R | HOLDER-FORK UNDER,F.S.BLACK   |  |  |  |  | 1 |
| 44039  | 44039-0167-18R | HOLDER-FORK UPPER,F.S.BLACK   |  |  |  |  | 1 |
| 44041  | 44041-040      | BOLT,SOCKET,FORK CYLINDER     |  |  |  |  | 1 |
| 44065  | 44065-0042     | BUSHING-FRONT FORK            |  |  |  |  | 2 |
| 44065A | 44065-1114     | BUSHING-FRONT FORK,INNER PIPE |  |  |  |  | 2 |
| 44071  | 44071-1222-58Z | DAMPER-ASSY,FORK,LH,BLACK     |  |  |  |  | 1 |
| 44071A | 44071-1223-58Z | DAMPER-ASSY,FORK,RH,BLACK     |  |  |  |  | 1 |
| 92015  | 92015-1795     | NUT                           |  |  |  |  | 1 |
| 92022  | 92022-1298     | WASHER,FORK OUTER TUBE        |  |  |  |  | 2 |
| 92026  | 92026-0045     | SPACER,FORK                   |  |  |  |  | 1 |
| 92026A | 92026-0837     | SPACER                        |  |  |  |  | 1 |
| 92033  | 92033-1036     | RING-SNAP                     |  |  |  |  | 2 |
| 92049  | 92049-0073     | SEAL-OIL                      |  |  |  |  | 2 |
| 92055  | 92055-0145     | RING-O                        |  |  |  |  | 2 |
| 92066  | 92066-0032     | PLUG                          |  |  |  |  | 1 |
| 92093  | 92093-1472     | SEAL,FORK OUTER TUBE          |  |  |  |  | 2 |
| 92153  | 92153-0506     | BOLT,SOCKET,8X40              |  |  |  |  | 1 |
| 92153A | 92153-0649     | BOLT,FLANGED,8X35             |  |  |  |  | 4 |
| 92153B | 92153-1625     | BOLT,SOCKET,8X25              |  |  |  |  | 2 |
| 92161  | 92161-1490     | DAMPER,RUBBER CUSHION         |  |  |  |  | 1 |
| 92200  | 92200-0085     | WASHER                        |  |  |  |  | 1 |



## 48. Fuel Tank

| Ref. No. | Part No.       | Description                    | Spec Code | Quantity |     |
|----------|----------------|--------------------------------|-----------|----------|-----|
|          |                |                                |           | '18      | BJJ |
| 14093    | 14093-0667     | COVER,KNEE GRIP,LH             |           |          | 1   |
| 14093A   | 14093-0668     | COVER,KNEE GRIP,RH             |           |          | 1   |
| 36001    | 36001-0658-36P | COVER-SIDE,SEAT,LH,P.M.GRAY    |           |          | 1   |
| 36001A   | 36001-0658-45L | COVER-SIDE,SEAT,LH,F.EBONY     |           |          | 1   |
| 36001B   | 36001-0658-660 | COVER-SIDE,SEAT,LH,M.S.BLACK   |           |          | 1   |
| 36001C   | 36001-0658-739 | COVER-SIDE,SEAT,LH,M.F.S.BLACK |           |          | 1   |
| 36001D   | 36001-0659-36P | COVER-SIDE,SEAT,RH,P.M.GRAY    |           |          | 1   |
| 36001E   | 36001-0659-45L | COVER-SIDE,SEAT,RH,F.EBONY     |           |          | 1   |
| 36001F   | 36001-0659-660 | COVER-SIDE,SEAT,RH,M.S.BLACK   |           |          | 1   |
| 36001G   | 36001-0659-739 | COVER-SIDE,SEAT,RH,M.F.S.BLACK |           |          | 1   |
| 39156    | 39156-2147     | PAD,KNEE GRIP COVER,LH         |           |          | 1   |
| 39156A   | 39156-2148     | PAD,KNEE GRIP COVER,RH         |           |          | 1   |
| 39156B   | 39156-2191     | PAD,20X50X5                    |           |          | 4   |
| 39156C   | 39156-2192     | PAD,10X76X5                    |           |          | 2   |
| 39156D   | 39156-2194     | PAD,20X20X5                    |           |          | 1   |
| 39156E   | 39156-2195     | PAD,25X50X5                    |           |          | 1   |
| 39156F   | 39156-2215     | PAD,15X66X10                   |           |          | 2   |
| 39188    | 39188-0564     | TAPE,8X35                      |           |          | 2   |
| 51001    | 51001-0853-660 | TANK-COMP-FUEL,M.S.BLACK       |           |          | 1   |
| 51001A   | 51001-0853-739 | TANK-COMP-FUEL,M.F.S.BLACK     |           |          | 1   |
| 51026    | 51026-0013     | COVER TANK,CNT                 |           |          | 1   |
| 51026A   | 51026-0014-36P | COVER TANK,LH,P.M.GRAY         |           |          | 1   |
| 51026B   | 51026-0014-45L | COVER TANK,LH,F.EBONY          |           |          | 1   |
| 51026C   | 51026-0014-51P | COVER TANK,LH,C.L.GREEN        |           |          | 1   |
| 51026D   | 51026-0014-A5  | COVER TANK,LH,C.P.RED          |           |          | 1   |
| 51026E   | 51026-0015-36P | COVER TANK,RH,P.M.GRAY         |           |          | 1   |
| 51026F   | 51026-0015-45L | COVER TANK,RH,F.EBONY          |           |          | 1   |
| 51026G   | 51026-0015-51P | COVER TANK,RH,C.L.GREEN        |           |          | 1   |
| 51026H   | 51026-0015-A5  | COVER TANK,RH,C.P.RED          |           |          | 1   |
| 51049    | 51049-0735     | CAP-TANK                       |           |          | 1   |
| 56054    | 56054-1975     | MARK,IG. SWITCH                |           |          | 1   |
| 92037    | 92037-010      | CLAMP,TUBE                     |           |          | 1   |
| 92093    | 92093-1030     | SEAL,FUEL TANK CAP             |           |          | 1   |
| 92152    | 92152-1847     | COLLAR,6.3X9.5X14.1            |           |          | 2   |
| 92152A   | 92152-2252     | COLLAR,6.3X12X22.6             |           |          | 2   |
| 92152B   | 92152-2342     | COLLAR,5.6X8X11.2              |           |          | 4   |
| 92154    | 92154-0209     | BOLT,SOCKET,5X16               |           |          | 4   |
| 92154A   | 92154-0210     | BOLT,SOCKET,5X20               |           |          | 4   |
| 92154B   | 92154-1421     | BOLT,SOCKET,5X12               |           |          | 4   |
| 92160    | 92160-1167     | DAMPER,10X20X12                |           |          | 2   |



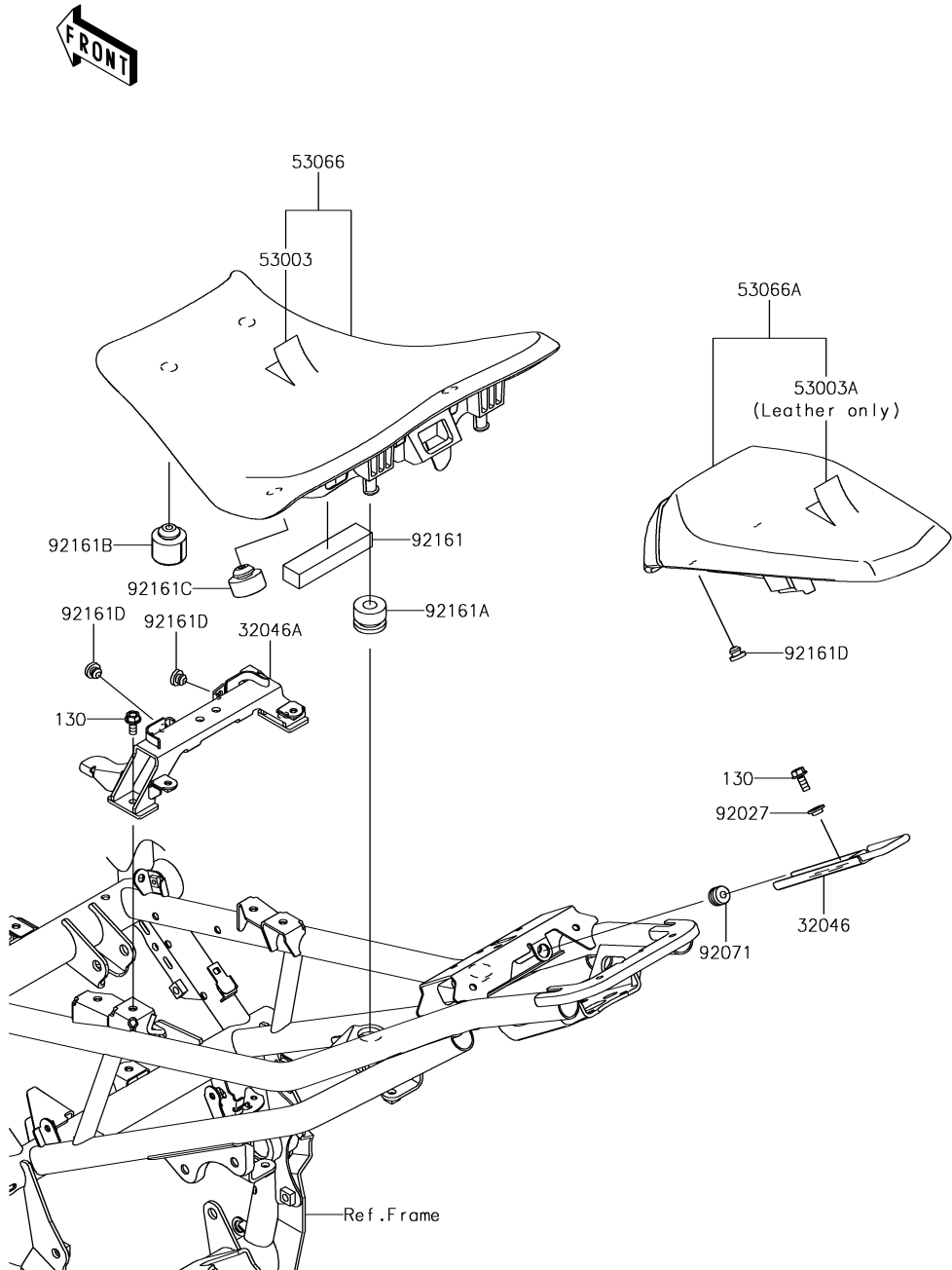
| Ref. No. | Part No.   | Description               | Spec Code | Quantity |     |
|----------|------------|---------------------------|-----------|----------|-----|
|          |            |                           |           | '18      | BJJ |
| 92160A   | 92160-1613 | DAMPER                    |           | 2        |     |
| 92161    | 92161-0365 | DAMPER                    |           | 2        |     |
| 92161A   | 92161-0588 | DAMPER                    |           | 4        |     |
| 92161B   | 92161-0685 | DAMPER,8X16X8.6           |           | 4        |     |
| 92161C   | 92161-1468 | DAMPER,12X28X21           |           | 2        |     |
| 92172    | 92172-0864 | SCREW,5X10                |           | 4        |     |
| 92173    | 92173-0861 | CLAMP                     |           | 1        |     |
| 92192    | 92192-1688 | TUBE,6X9X670/30           |           | 1        |     |
| 92200    | 92200-0006 | WASHER,NYLON,5.3X11.5X0.5 |           | 6        |     |
| 92200A   | 92200-1087 | WASHER,6.5X22X1.6         |           | 2        |     |
| 120      | 120CA0512  | BOLT-SOCKET,5X12          |           | 4        |     |
| 130      | 130BA0635  | BOLT-FLANGED,6X35         |           | 4        |     |

F2510

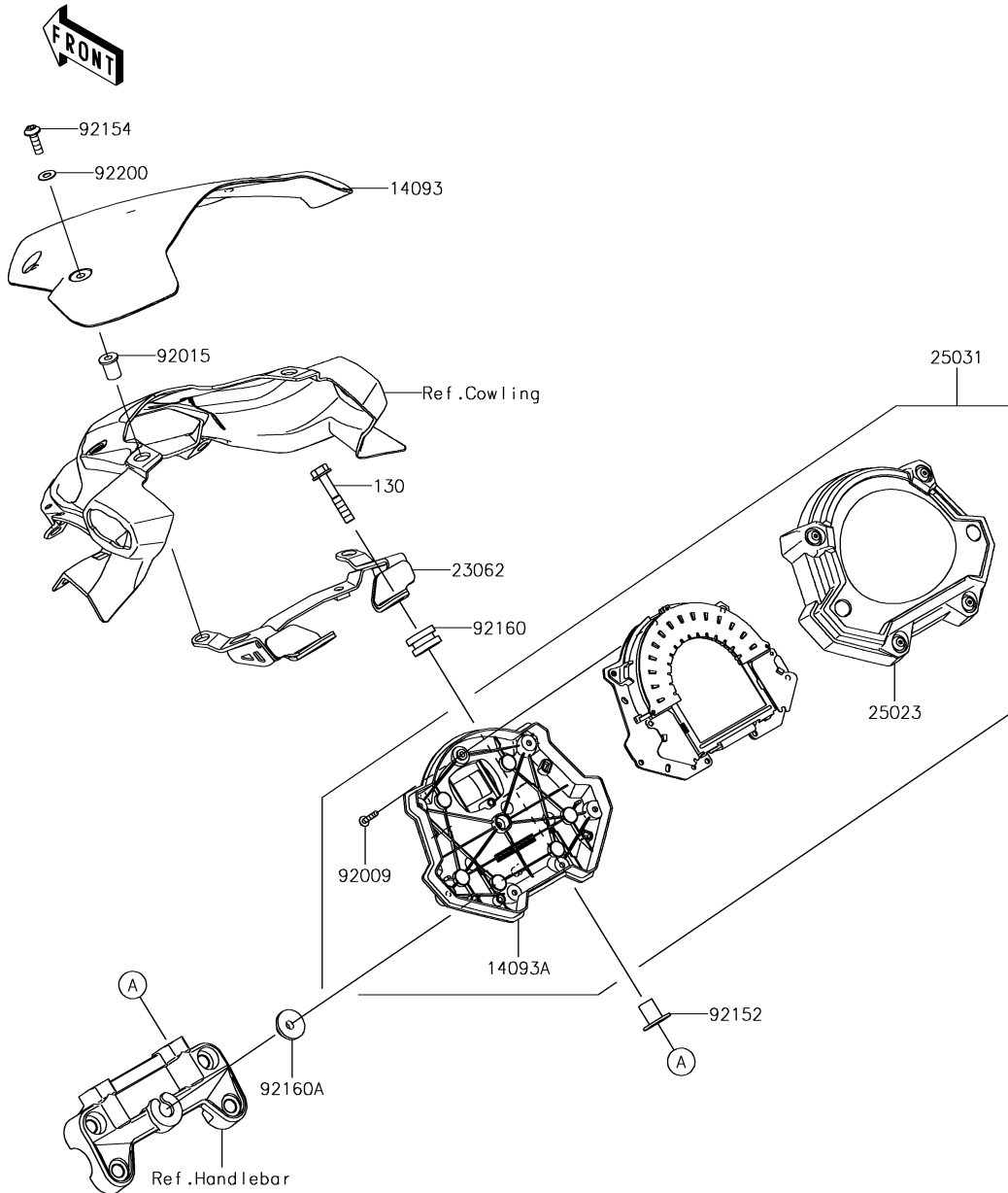
49. Seat

| Ref. No. | Part No. | Description | Spec Code | Quantity |  |  |  |
|----------|----------|-------------|-----------|----------|--|--|--|
|          |          |             |           | '18      |  |  |  |
|          |          |             |           |          |  |  |  |
|          |          |             |           | BJF      |  |  |  |

|        |                |                        |  |   |
|--------|----------------|------------------------|--|---|
| 32046  | 32046-0401     | BRACKET-SEAT,FR LOCK   |  | 1 |
| 32046A | 32046-0418     | BRACKET-SEAT,FR        |  | 1 |
| 53003  | 53003-0432-MA  | LEATHER,FR SEAT,BLACK  |  | 1 |
| 53003A | 53003-0433-MA  | LEATHER,RR SEAT,BLACK  |  | 1 |
| 53066  | 53066-0581-MA  | SEAT-ASSY,FR,BLACK     |  | 1 |
| 53066A | 53066-0582-12Y | SEAT-ASSY,RR,BLACK+BLK |  | 1 |
| 92027  | 92027-1168     | COLLAR,L=4.6           |  | 1 |
| 92071  | 92071-0038     | GROMMET                |  | 1 |
| 92161  | 92161-1867     | DAMPER,20X90X15        |  | 1 |
| 92161A | 92161-1913     | DAMPER,12X28X21        |  | 2 |
| 92161B | 92161-1969     | DAMPER,14X30X22        |  | 2 |
| 92161C | 92161-1970     | DAMPER,14X30X14.5      |  | 2 |
| 92161D | 92161-1971     | DAMPER                 |  | 4 |
| 130    | 130CA0614      | BOLT-FLANGED,6X14      |  | 3 |



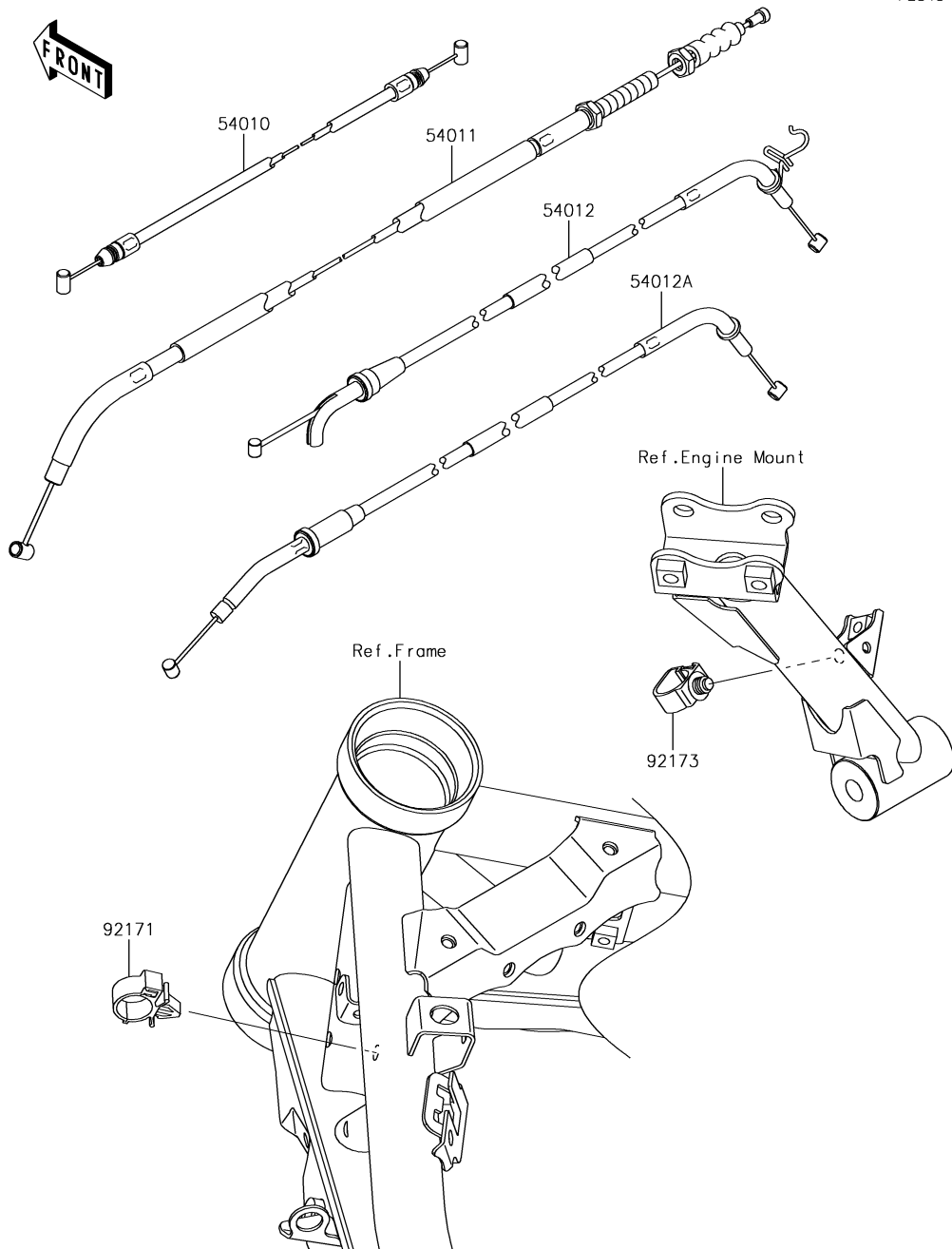
F2530



## 50. Meter(s)

| Ref. No. | Part No.   | Description                | Spec Code | Quantity |  |   |  |
|----------|------------|----------------------------|-----------|----------|--|---|--|
|          |            |                            |           | '18      |  |   |  |
| 14093    | 14093-0512 | COVER,METER                |           |          |  | 1 |  |
| 14093A   | 14093-0526 | COVER,LWR CASE             |           |          |  | 1 |  |
| 23062    | 23062-0928 | BRACKET-COMP               |           |          |  | 1 |  |
| 25023    | 25023-0128 | COVER-METER CASE           |           |          |  | 1 |  |
| 25031    | 25031-0725 | METER-ASSY,COMBINATION,ABS |           |          |  | 1 |  |
| 92009    | 92009-1391 | SCREW,TAPPING,3X16         |           |          |  | 8 |  |
| 92015    | 92015-1757 | NUT,WELL,5MM               |           |          |  | 4 |  |
| 92152    | 92152-0604 | COLLAR                     |           |          |  | 2 |  |
| 92154    | 92154-0026 | BOLT,SOCKET,5X16           |           |          |  | 4 |  |
| 92160    | 92160-1167 | DAMPER,10X20X12            |           |          |  | 2 |  |
| 92160A   | 92160-1613 | DAMPER                     |           |          |  | 1 |  |
| 92200    | 92200-1480 | WASHER,NYLON,5.3X11.5X0.5  |           |          |  | 4 |  |
| 130      | 130BB0635  | BOLT-FLANGED,6X35          |           |          |  | 2 |  |

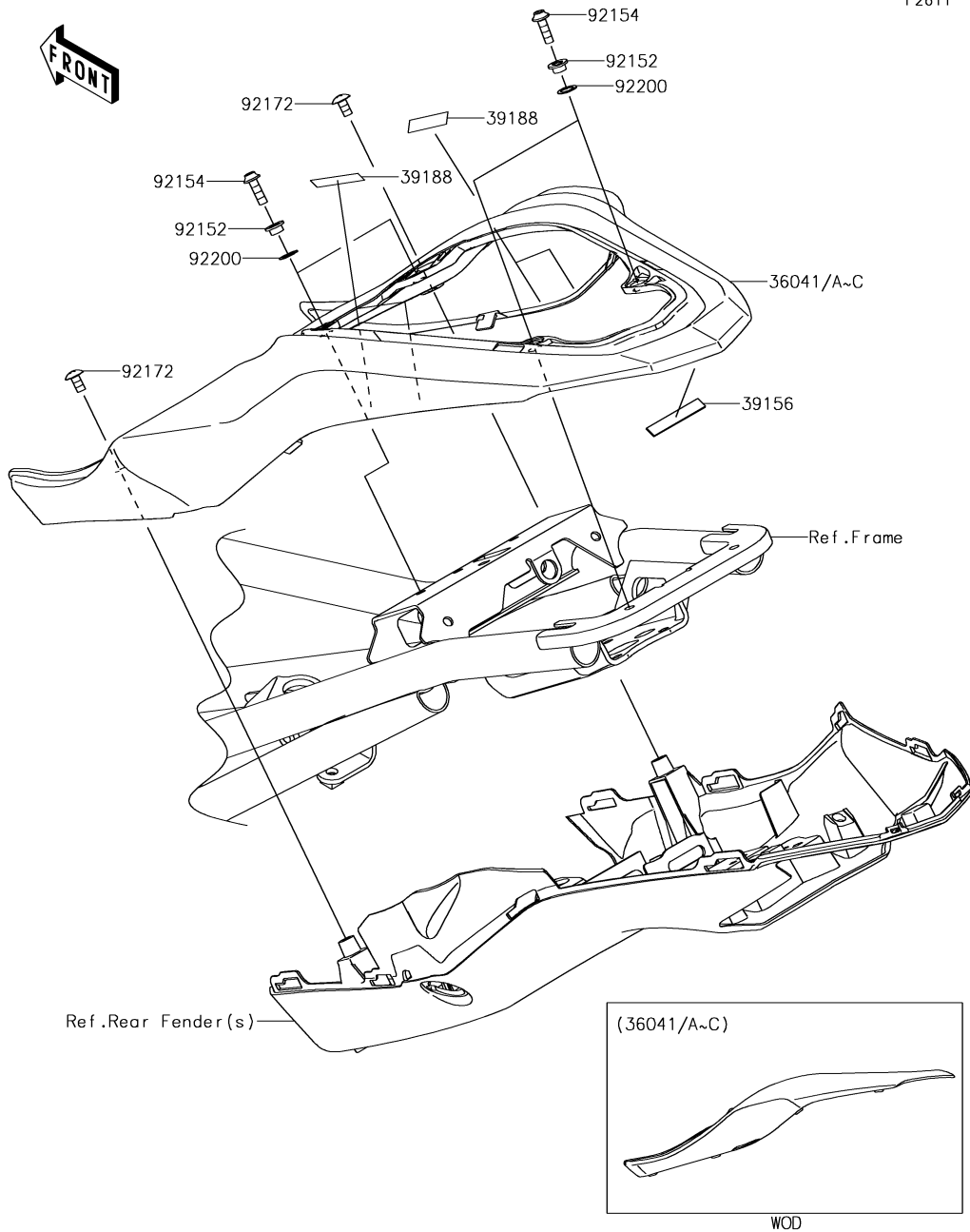
F2540



## 51. Cables

| Ref. No. | Part No.   | Description       | Spec Code | Quantity |  |   |  |
|----------|------------|-------------------|-----------|----------|--|---|--|
|          |            |                   |           | '18      |  |   |  |
| 54010    | 54010-0614 | CABLE,SEAT LOCK   |           |          |  | 1 |  |
| 54011    | 54011-0618 | CABLE-CLUTCH      |           |          |  | 1 |  |
| 54012    | 54012-0646 | CABLE-THROTTLE    |           |          |  | 1 |  |
| 54012A   | 54012-0647 | CABLE-THROTTLE    |           |          |  | 1 |  |
| 92171    | 92171-0782 | CLAMP             |           |          |  | 1 |  |
| 92173    | 92173-0868 | CLAMP,HOLDER CLIP |           |          |  | 1 |  |

F2611

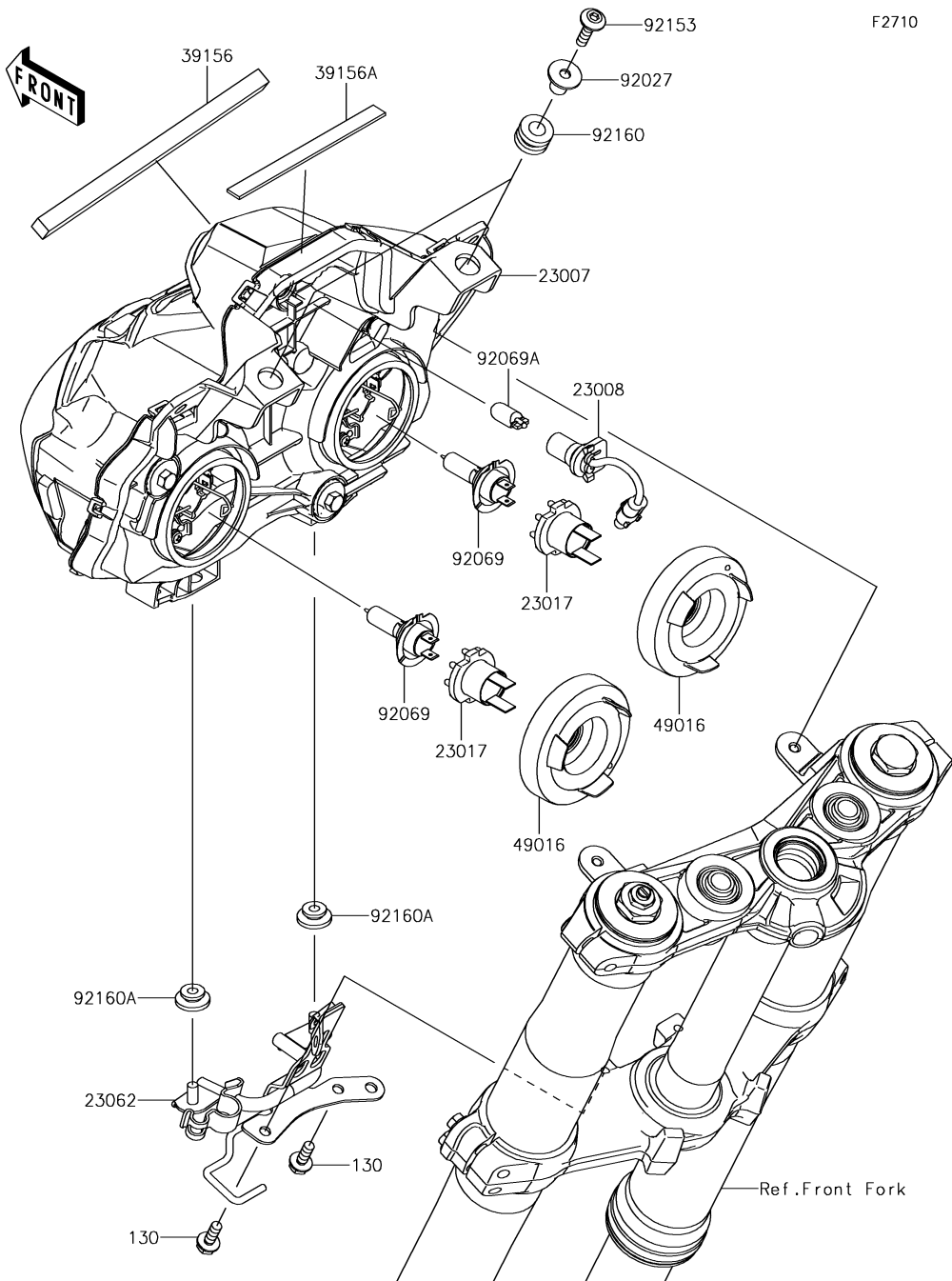


## 52. Side Covers

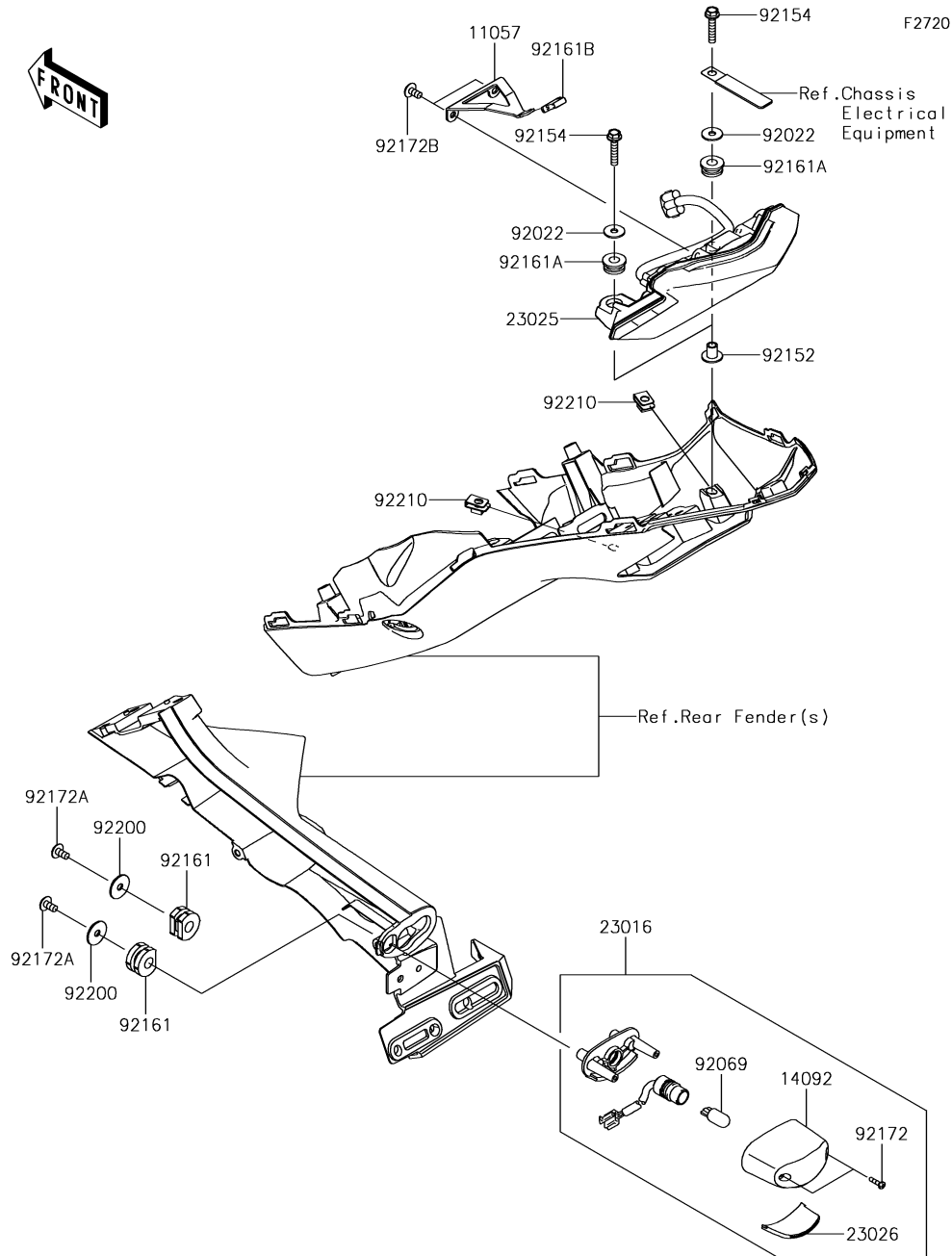
| Ref. No. | Part No.       | Description          | Spec Code | Quantity |  |   |  |
|----------|----------------|----------------------|-----------|----------|--|---|--|
|          |                |                      |           | '18      |  |   |  |
| 36041    | 36041-0030-36P | COVER-TAIL,P.M.GRAY  |           |          |  | 1 |  |
| 36041A   | 36041-0030-51P | COVER-TAIL,C.L.GREEN |           |          |  | 1 |  |
| 36041B   | 36041-0030-660 | COVER-TAIL,M.S.BLACK |           |          |  | 1 |  |
| 36041C   | 36041-0030-A5  | COVER-TAIL,C.P.RED   |           |          |  | 1 |  |
| 39156    | 39156-2181     | PAD,7X44X1           |           |          |  | 1 |  |
| 39188    | 39188-0564     | TAPE,8X35            |           |          |  | 4 |  |
| 92152    | 92152-2339     | COLLAR,5.6X8X5       |           |          |  | 4 |  |
| 92154    | 92154-0209     | BOLT,SOCKET,5X16     |           |          |  | 4 |  |
| 92172    | 92172-1194     | SCREW,5X10           |           |          |  | 2 |  |
| 92200    | 92200-1887     | WASHER,8.2X12X0.5    |           |          |  | 4 |  |

53. Headlight(s)

| Ref. No. | Part No.   | Description       | Spec Code | Quantity |  |  |  |
|----------|------------|-------------------|-----------|----------|--|--|--|
|          |            |                   |           | '18      |  |  |  |
| 23007    | 23007-0210 | LENS-COMP         |           | 1        |  |  |  |
| 23008    | 23008-0181 | SOCKET-ASSY       |           | 1        |  |  |  |
| 23017    | 23017-1067 | SOCKET,HEAD LAMP  |           | 2        |  |  |  |
| 23062    | 23062-0964 | BRACKET-COMP      |           | 1        |  |  |  |
| 39156    | 39156-2156 | PAD,10X190X10     |           | 1        |  |  |  |
| 39156A   | 39156-2196 | PAD,10X120X2      |           | 1        |  |  |  |
| 49016    | 49016-0642 | COVER-SEAL        |           | 2        |  |  |  |
| 92027    | 92027-1920 | COLLAR,L=14.1     |           | 2        |  |  |  |
| 92069    | 92069-0053 | BULB,12V 55W,H7   |           | 2        |  |  |  |
| 92069A   | 92069-1016 | BULB,12V 5W       |           | 1        |  |  |  |
| 92153    | 92153-0574 | BOLT,SOCKET,6X22  |           | 2        |  |  |  |
| 92160    | 92160-1167 | DAMPER,10X20X12   |           | 2        |  |  |  |
| 92160A   | 92160-1613 | DAMPER            |           | 2        |  |  |  |
| 130      | 130BB0616  | BOLT-FLANGED,6X16 |           | 2        |  |  |  |

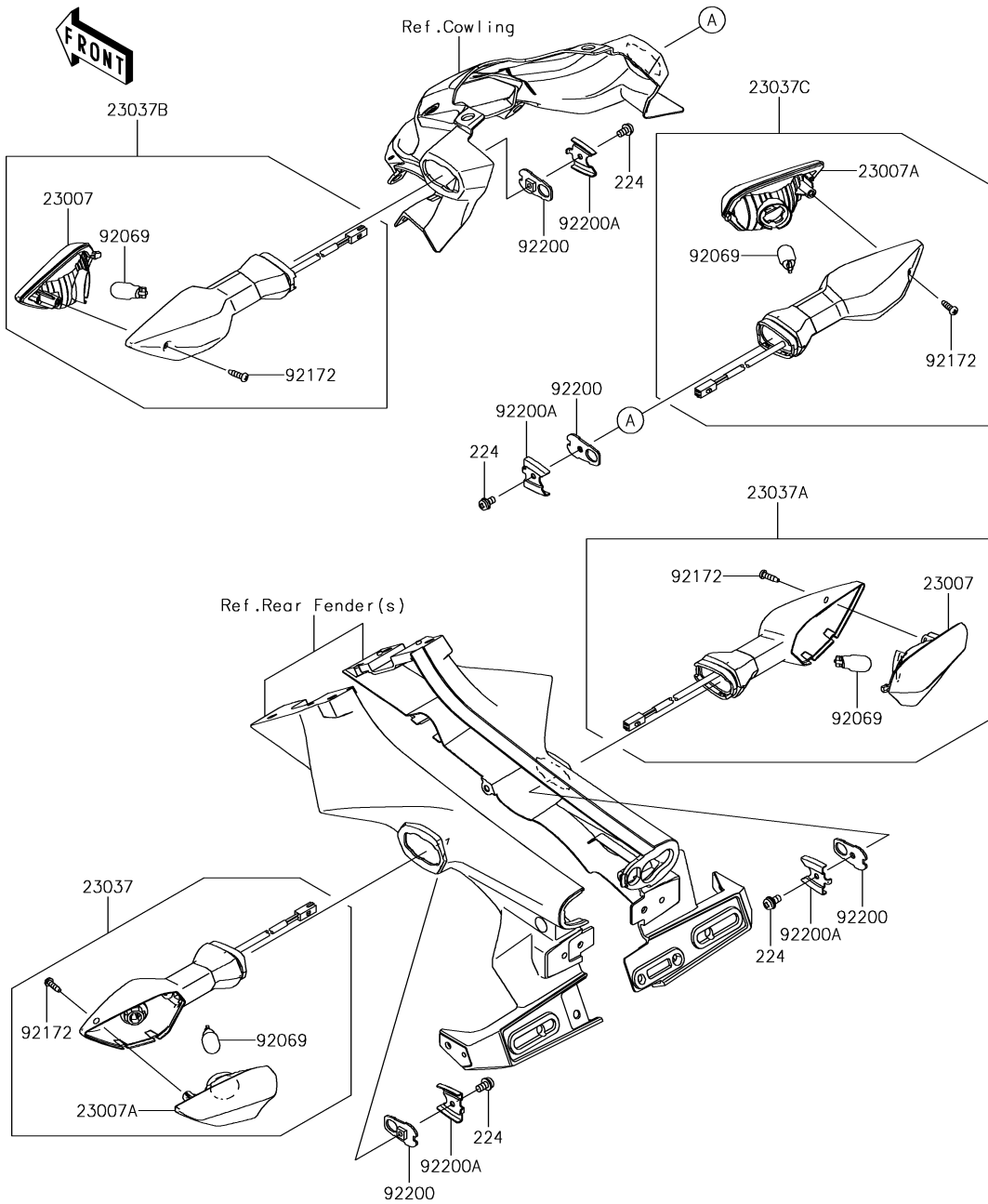






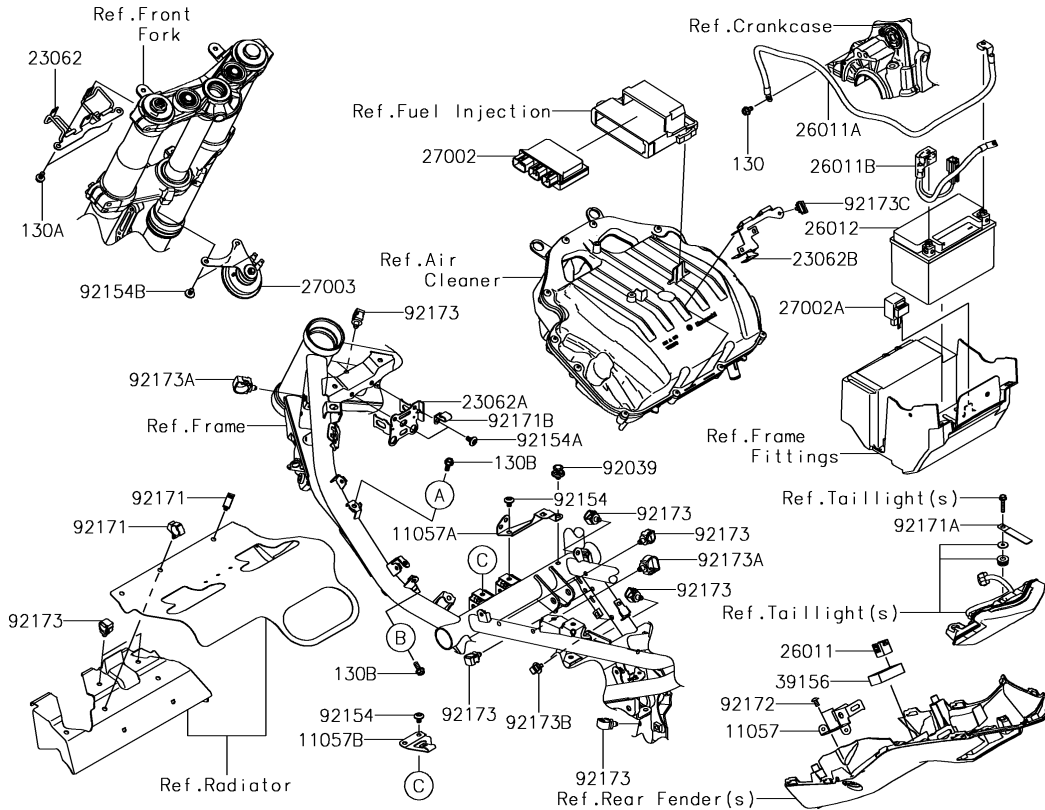
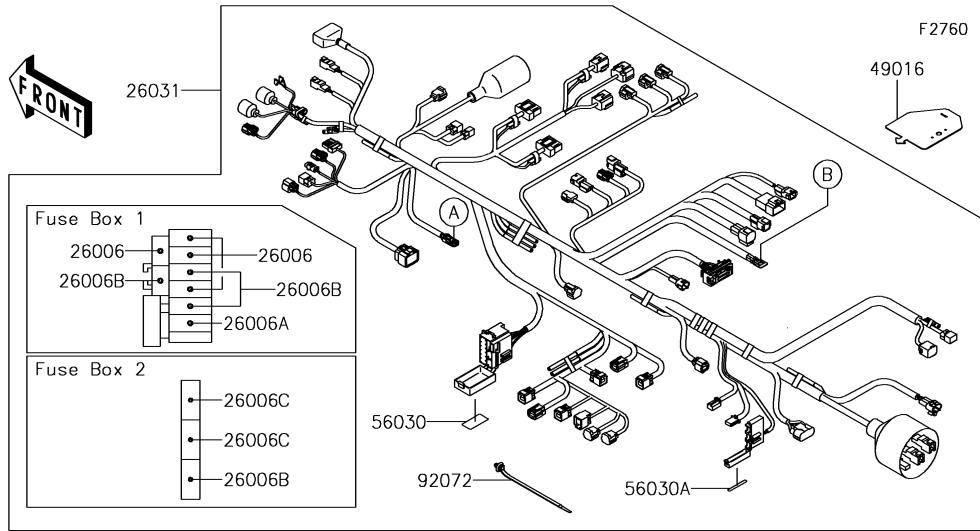
| Ref. No. | Part No.   | Description            | Spec Code | Quantity |   |  |  |
|----------|------------|------------------------|-----------|----------|---|--|--|
|          |            |                        |           | '18      |   |  |  |
|          |            |                        |           | BJF      |   |  |  |
| 11057    | 11057-0247 | BRACKET, TAIL LAMP     |           |          | 1 |  |  |
| 14092    | 14092-0001 | COVER, LICENSE LAMP    |           |          | 1 |  |  |
| 23016    | 23016-0607 | LAMP-ASSY, LICENSE     |           |          | 1 |  |  |
| 23025    | 23025-0361 | LAMP-TAIL              |           |          | 1 |  |  |
| 23026    | 23026-0028 | LENS, LICENCE LAMP     |           |          | 1 |  |  |
| 92022    | 92022-263  | WASHER, 5.2X16X1.2     |           |          | 2 |  |  |
| 92069    | 92069-1016 | BULB, 12V 5W           |           |          | 1 |  |  |
| 92152    | 92152-1562 | COLLAR, 5.6X8X11.2     |           |          | 2 |  |  |
| 92154    | 92154-2682 | BOLT, FLANGED, 5X25    |           |          | 2 |  |  |
| 92161    | 92161-0776 | DAMPER                 |           |          | 2 |  |  |
| 92161A   | 92161-1369 | DAMPER, 8X18X8.1       |           |          | 2 |  |  |
| 92161B   | 92161-1917 | DAMPER                 |           |          | 1 |  |  |
| 92172    | 92172-0343 | SCREW, TAPPING, 2.9X13 |           |          | 2 |  |  |
| 92172A   | 92172-0427 | SCREW, TAPPING, 5X16   |           |          | 2 |  |  |
| 92172B   | 92172-0864 | SCREW, 5X10            |           |          | 2 |  |  |
| 92200    | 92200-0284 | WASHER, 5.5X20X1.2     |           |          | 2 |  |  |
| 92210    | 92210-0935 | NUT, PLATE, 5MM        |           |          | 2 |  |  |

F2730



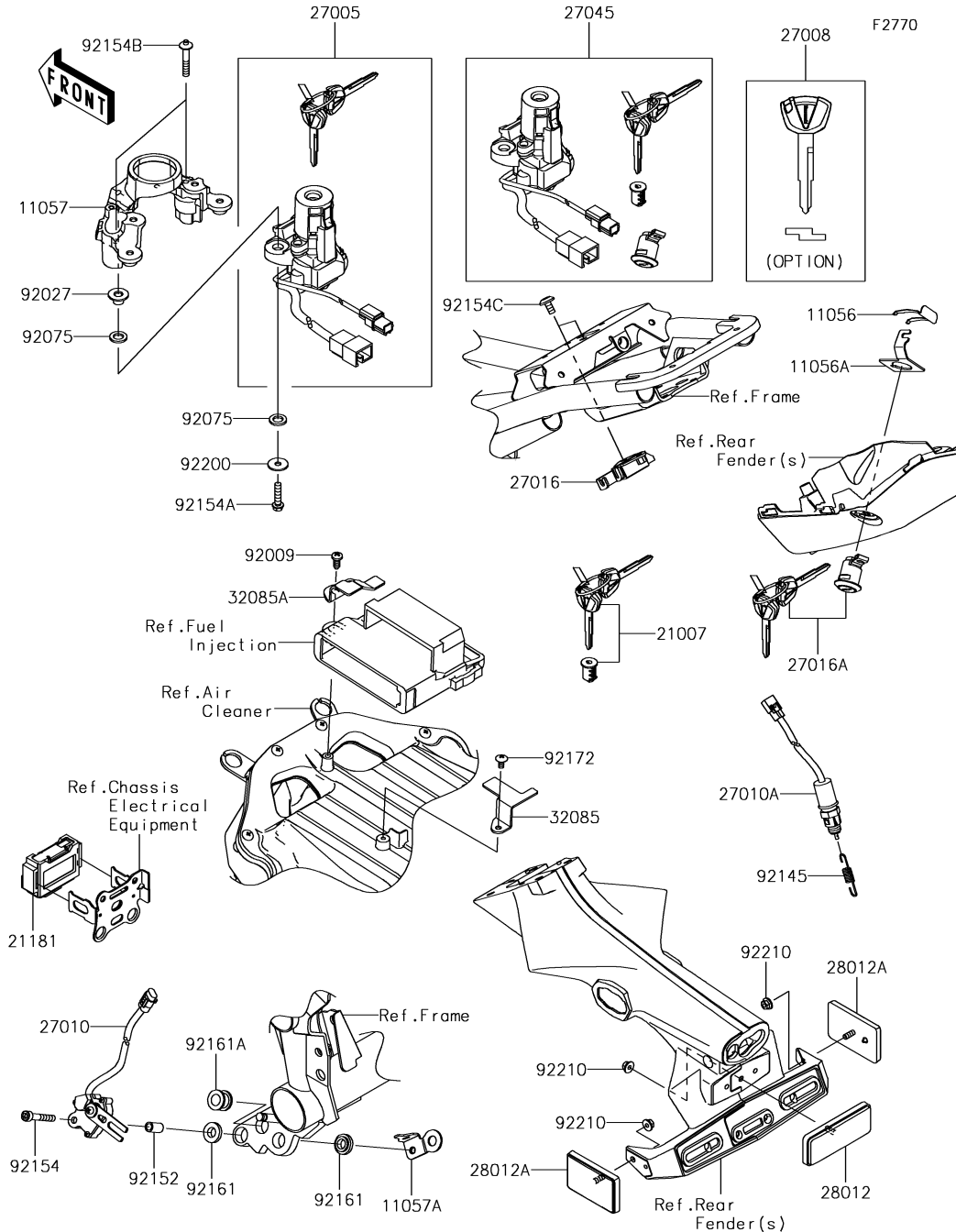
## 55. Turn Signals

| Ref. No. | Part No.   | Description            | Spec Code | Quantity |  |  |  |  |   |
|----------|------------|------------------------|-----------|----------|--|--|--|--|---|
|          |            |                        |           | '18      |  |  |  |  |   |
|          |            |                        |           | BJF      |  |  |  |  |   |
| 23007    | 23007-0205 | LENS-COMP              |           |          |  |  |  |  | 2 |
| 23007A   | 23007-0206 | LENS-COMP              |           |          |  |  |  |  | 2 |
| 23037    | 23037-0342 | LAMP-ASSY-SIGNAL,RR,LH |           |          |  |  |  |  | 1 |
| 23037A   | 23037-0343 | LAMP-ASSY-SIGNAL,RR,RH |           |          |  |  |  |  | 1 |
| 23037B   | 23037-0350 | LAMP-ASSY-SIGNAL,FR,LH |           |          |  |  |  |  | 1 |
| 23037C   | 23037-0351 | LAMP-ASSY-SIGNAL,FR,RH |           |          |  |  |  |  | 1 |
| 92069    | 92069-0090 | BULB,12V 10W           |           |          |  |  |  |  | 4 |
| 92172    | 92172-1117 | SCREW,4X14             |           |          |  |  |  |  | 4 |
| 92200    | 92200-0854 | WASHER,NUT 4MM         |           |          |  |  |  |  | 4 |
| 92200A   | 92200-0855 | WASHER                 |           |          |  |  |  |  | 4 |
| 224      | 224AB0408  | SCREW-PAN-WP-CROS,4X8  |           |          |  |  |  |  | 4 |



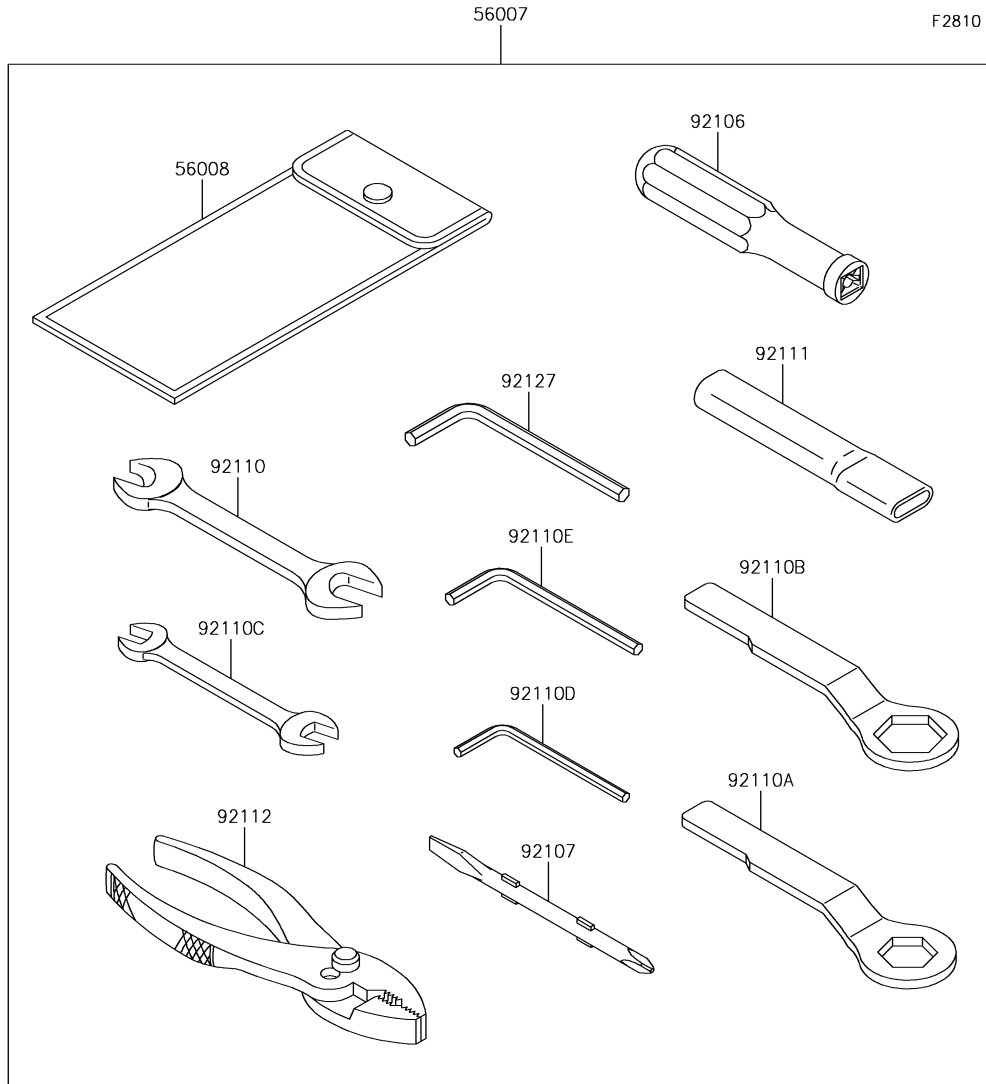
| Ref. No. | Part No.   | Description                | Spec Code | Quantity |  |  |    |
|----------|------------|----------------------------|-----------|----------|--|--|----|
|          |            |                            |           | '18      |  |  |    |
|          |            |                            |           | BJJ      |  |  |    |
| 11057    | 11057-0316 | BRACKET,RELAY              |           |          |  |  | 1  |
| 11057A   | 11057-0317 | BRACKET,MAIN HARNESS       |           |          |  |  | 1  |
| 11057B   | 11057-0563 | BRACKET,CONNECTOR          |           |          |  |  | 1  |
| 23062    | 23062-0893 | BRACKET-COMP,UPP HOLDER    |           |          |  |  | 1  |
| 23062A   | 23062-0894 | BRACKET-COMP,V.D. SENSOR   |           |          |  |  | 1  |
| 23062B   | 23062-0930 | BRACKET-COMP,A/C BOX       |           |          |  |  | 1  |
| 26006    | 26006-0001 | FUSE,MINI BLADE,15A,BLUE   |           |          |  |  | 4  |
| 26006A   | 26006-0052 | FUSE,MINI BLADE,2A,GRAY    |           |          |  |  | 1  |
| 26006B   | 26006-0055 | FUSE,MINI BLADE,7.5A,BROWN |           |          |  |  | 4  |
| 26006C   | 26006-1080 | FUSE,MINI BLADE,30A,GREEN  |           |          |  |  | 2  |
| 26011    | 26011-0275 | WIRE-LEAD,CONNECTOR COVER  |           |          |  |  | 1  |
| 26011A   | 26011-0947 | WIRE-LEAD,BATTERY(-)       |           |          |  |  | 1  |
| 26011B   | 26011-0948 | WIRE-LEAD,BATTERY(+)       |           |          |  |  | 1  |
| 26012    | 26012-0730 | BATTERY,FTX9-BS,12V 8AH    |           |          |  |  | 1  |
| 26031    | 26031-2351 | HARNESS,MAIN               |           |          |  |  | 1  |
| 27002    | 27002-0025 | RELAY-ASSY,BOX             |           |          |  |  | 1  |
| 27002A   | 27002-1097 | RELAY-ASSY,SIGNAL LAMP     |           |          |  |  | 1  |
| 27003    | 27003-0121 | HORN                       |           |          |  |  | 1  |
| 39156    | 39156-2146 | PAD,32X52X15               |           |          |  |  | 1  |
| 49016    | 49016-0645 | COVER-SEAL                 |           |          |  |  | 1  |
| 56030    | 56030-0992 | LABEL,FUSE BOX1            |           |          |  |  | 1  |
| 56030A   | 56030-0993 | LABEL,FUSE BOX2            |           |          |  |  | 1  |
| 92039    | 92039-0014 | RIVET,HOLE 8MM             |           |          |  |  | 1  |
| 92072    | 92072-1414 | BAND,OS170-FT7(BLACK)      |           |          |  |  | 18 |
| 92154    | 92154-0774 | BOLT,SOCKET,6X10           |           |          |  |  | 2  |
| 92154A   | 92154-2355 | BOLT,SOCKET,6X12           |           |          |  |  | 2  |
| 92154B   | 92154-2667 | BOLT,SOCKET,6X10           |           |          |  |  | 2  |
| 92171    | 92171-0316 | CLAMP,BRAKE HOSE           |           |          |  |  | 2  |
| 92171A   | 92171-0652 | CLAMP,L=60                 |           |          |  |  | 1  |
| 92171B   | 92171-0926 | CLAMP                      |           |          |  |  | 1  |
| 92172    | 92172-0864 | SCREW,5X10                 |           |          |  |  | 2  |
| 92173    | 92173-0736 | CLAMP,12MM DIA.            |           |          |  |  | 8  |
| 92173A   | 92173-0861 | CLAMP                      |           |          |  |  | 2  |
| 92173B   | 92173-1022 | CLAMP,CABLE CLIP           |           |          |  |  | 1  |
| 92173C   | 92173-1429 | CLAMP,CLIP,TAIL LAMP,ETC   |           |          |  |  | 1  |
| 130      | 130BA0610  | BOLT-FLANGED,6X10          |           |          |  |  | 1  |
| 130A     | 130BA0612  | BOLT-FLANGED,6X12          |           |          |  |  | 2  |
| 130B     | 130BA0616  | BOLT-FLANGED,6X16          |           |          |  |  | 2  |

# '18 ZR900 BJJ



## 57. Ignition Switch

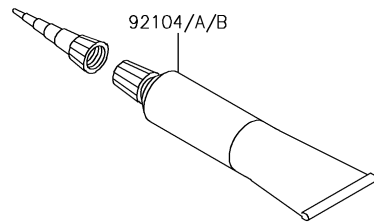
| Ref. No. | Part No.   | Description                    | Spec Code | Quantity |     |
|----------|------------|--------------------------------|-----------|----------|-----|
|          |            |                                |           | '18      | BJJ |
| 11056    | 11056-0238 | BRACKET,CLASP                  |           | 1        |     |
| 11056A   | 11056-2119 | BRACKET,SEAT LOCK              |           | 1        |     |
| 11057    | 11057-0251 | BRACKET,IG. SWITCH             |           | 1        |     |
| 11057A   | 11057-0319 | BRACKET                        |           | 1        |     |
| 21007    | 21007-5072 | ROTOR,LOCK,TANK,CAP            |           | 1        |     |
| 21181    | 21181-0014 | AMPLIFIER,IMMOBI               |           | 1        |     |
| 27005    | 27005-0590 | SWITCH-ASSY-IGNITION,IMMOBI    |           | 1        |     |
| 27008    | 27008-0558 | KEY-LOCK,BLANK,IMMOBI (OPTION) |           | 1        |     |
| 27010    | 27010-0722 | SWITCH,SIDE STAND              |           | 1        |     |
| 27010A   | 27010-0847 | SWITCH,REAR BRAKE              |           | 1        |     |
| 27016    | 27016-0008 | LOCK-ASSY,SEAT STRIKER         |           | 1        |     |
| 27016A   | 27016-5380 | LOCK-ASSY,SEAT                 |           | 1        |     |
| 27045    | 27045-5484 | SWITCH-ASSY                    |           | 1        |     |
| 28012    | 28012-1077 | REFLECTOR-REFLEX               |           | 1        |     |
| 28012A   | 28012-1088 | REFLECTOR-REFLEX               |           | 2        |     |
| 32085    | 32085-0820 | STOPPER                        |           | 1        |     |
| 32085A   | 32085-0821 | STOPPER                        |           | 1        |     |
| 92009    | 92009-3845 | SCREW,6X14                     |           | 1        |     |
| 92027    | 92027-1045 | COLLAR,L=9.6                   |           | 2        |     |
| 92075    | 92075-1564 | DAMPER                         |           | 4        |     |
| 92145    | 92145-0946 | SPRING,REAR BRAKE              |           | 1        |     |
| 92152    | 92152-2274 | COLLAR,6.5X9.5X17              |           | 1        |     |
| 92154    | 92154-0505 | BOLT,SOCKET,6X40               |           | 1        |     |
| 92154A   | 92154-2154 | BOLT,FLANGED,6X25              |           | 2        |     |
| 92154B   | 92154-2207 | BOLT,E TYPE TORX,6X35          |           | 2        |     |
| 92154C   | 92154-2355 | BOLT,SOCKET,6X12               |           | 2        |     |
| 92161    | 92161-0117 | DAMPER                         |           | 2        |     |
| 92161A   | 92161-0118 | DAMPER                         |           | 1        |     |
| 92172    | 92172-0864 | SCREW,5X10                     |           | 1        |     |
| 92200    | 92200-0780 | WASHER,6X20X1.6                |           | 2        |     |
| 92210    | 92210-0007 | NUT,FLANGED,5MM                |           | 3        |     |

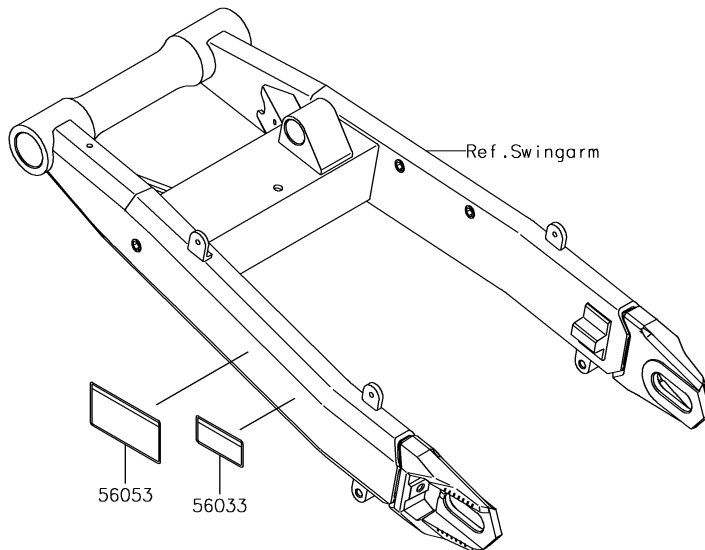
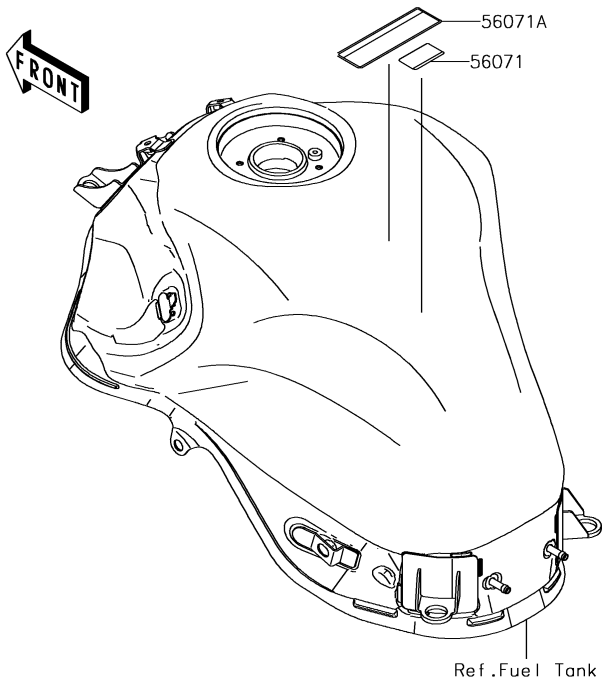


F2810

## 58. Owner's Tools

| Ref. No. | Part No.   | Description                 | Spec Code | Quantity |  |  |  |   |
|----------|------------|-----------------------------|-----------|----------|--|--|--|---|
|          |            |                             |           | '18      |  |  |  |   |
| 56007    | 56007-0108 | TOOL-KIT                    |           |          |  |  |  | 1 |
| 56008    | 56008-0036 | BAG,TOOL                    |           |          |  |  |  | 1 |
| 92104    | 92104-0004 | GASKET-LIQUID,TB1211F,CLEAR |           |          |  |  |  | 1 |
| 92104A   | 92104-1064 | GASKET-LIQUID,TB1216B,BLACK |           |          |  |  |  | 1 |
| 92104B   | 92104-2068 | GASKET-LIQUID,TB1207B,BLACK |           |          |  |  |  | 1 |
| 92106    | 92106-0004 | GRIP-SCREW DRIVER           |           |          |  |  |  | 1 |
| 92107    | 92107-0019 | TOOL-DRIVER,#2PHILLIPS&SLOT |           |          |  |  |  | 1 |
| 92110    | 92110-0057 | TOOL-WRENCH,OPEN END,14X17  |           |          |  |  |  | 1 |
| 92110A   | 92110-0064 | TOOL-WRENCH,BOX END,22MM    |           |          |  |  |  | 1 |
| 92110B   | 92110-0065 | TOOL-WRENCH,BOX END,27MM    |           |          |  |  |  | 1 |
| 92110C   | 92110-0564 | TOOL-WRENCH,OPEN END,10X12  |           |          |  |  |  | 1 |
| 92110D   | 92110-0567 | TOOL-WRENCH,ALLEN,4MM       |           |          |  |  |  | 1 |
| 92110E   | 92110-1015 | TOOL-WRENCH,ALLEN,5MM       |           |          |  |  |  | 1 |
| 92111    | 92111-0008 | TOOL-BAR,WRENCH             |           |          |  |  |  | 1 |
| 92112    | 92112-0007 | TOOL-PLIERS                 |           |          |  |  |  | 1 |
| 92127    | 92127-003  | TOOL-WRENCH,ALLEN,6MM       |           |          |  |  |  | 1 |

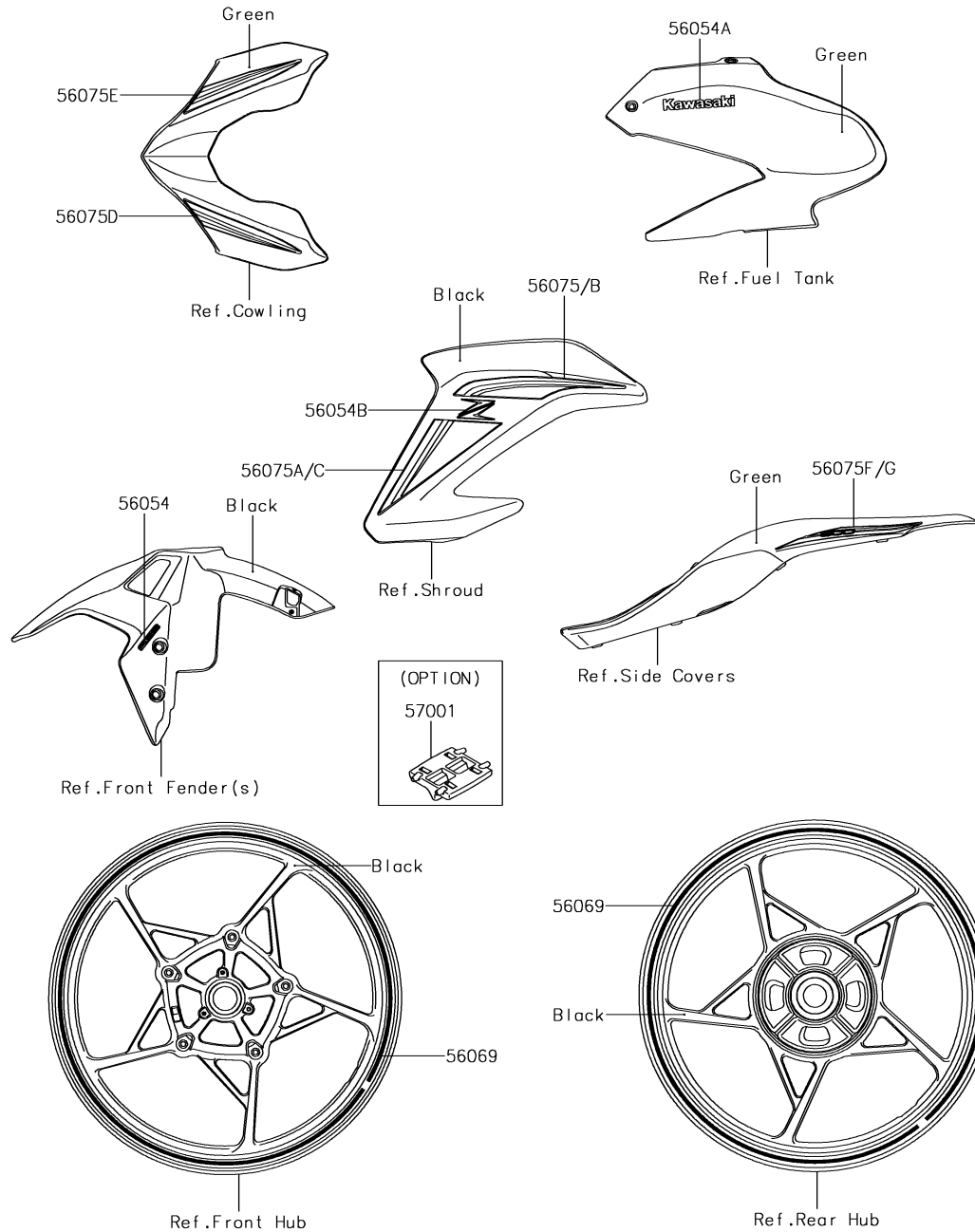




| Ref. No. | Part No.   | Description                   | Spec Code | Quantity |  |  |   |
|----------|------------|-------------------------------|-----------|----------|--|--|---|
|          |            |                               |           | '18      |  |  |   |
| 56033    | 56033-0885 | LABEL-MANUAL,CHAIN            |           |          |  |  | 1 |
| 56053    | 56053-1349 | LABEL-SPECIFICATION,TIRE&LOAD |           |          |  |  | 1 |
| 56071    | 56071-0695 | LABEL-WARNING,FUEL,E5/E10     |           |          |  |  | 1 |
| 56071A   | 56071-0774 | LABEL-WARNING,FUEL            |           |          |  |  | 1 |

# '18 ZR900 BJJ

F2861

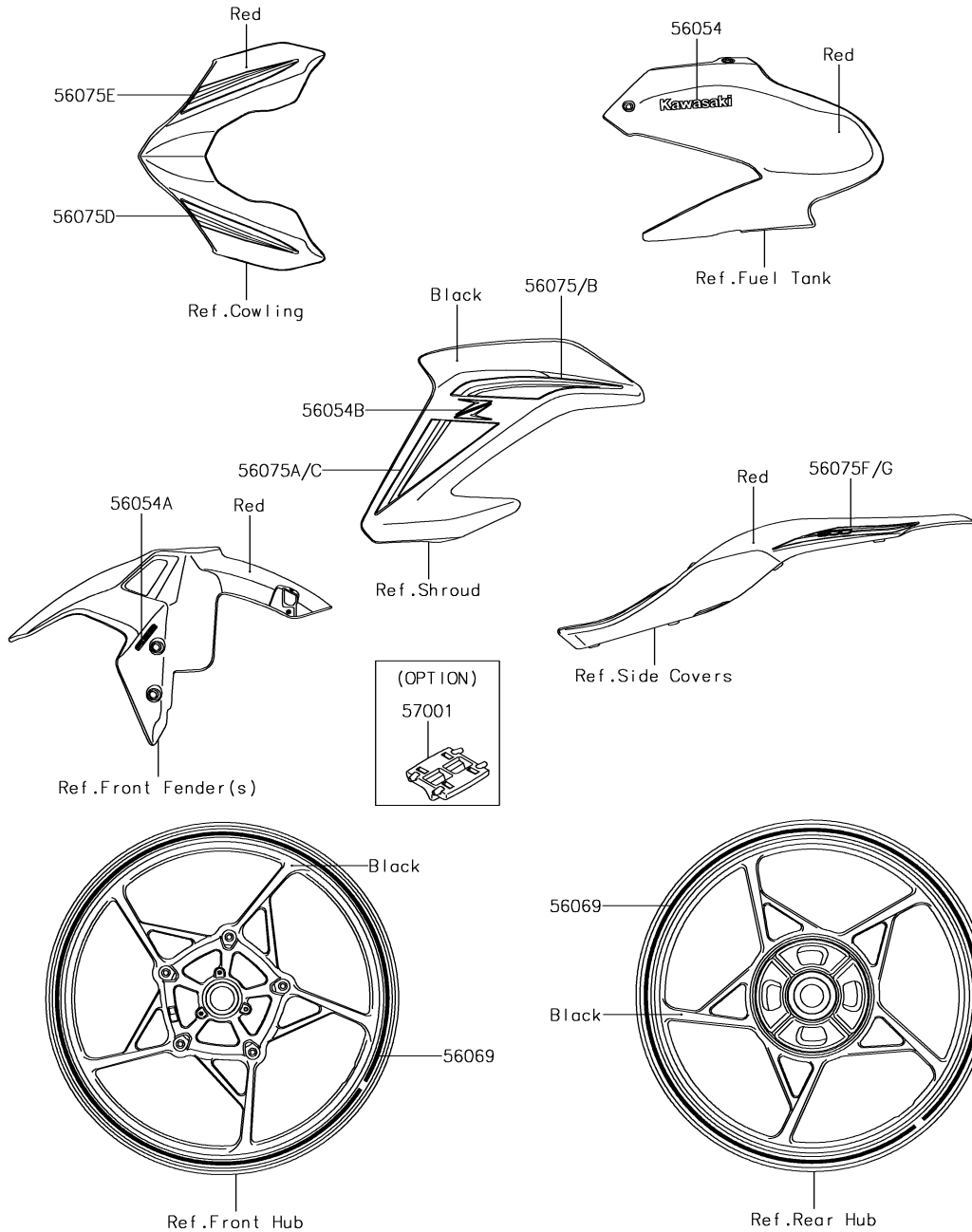


## 60. Decals(Green)

| Ref. No. | Part No.   | Description                    | Spec Code | Quantity |  |  |    |
|----------|------------|--------------------------------|-----------|----------|--|--|----|
|          |            |                                |           | '18      |  |  |    |
|          |            |                                |           | BJF      |  |  |    |
| 56054    | 56054-1064 | MARK,FR FENDER,ABS             |           |          |  |  | 2  |
| 56054A   | 56054-1356 | MARK,KAWASAKI                  |           |          |  |  | 2  |
| 56054B   | 56054-2205 | MARK,SHROUD,Z,3D               |           |          |  |  | 2  |
| 56069    | 56069-7822 | PATTERN,WHEEL,GREEN,4X1353     |           |          |  |  | 4  |
| 56075    | 56075-3815 | PATTERN,SHROUD,LH,UPP          |           |          |  |  | 1  |
| 56075A   | 56075-3816 | PATTERN,SHROUD,LH,LWR          |           |          |  |  | 1  |
| 56075B   | 56075-3817 | PATTERN,SHROUD,RH,UPP          |           |          |  |  | 1  |
| 56075C   | 56075-3818 | PATTERN,SHROUD,RH,LWR          |           |          |  |  | 1  |
| 56075D   | 56075-3819 | PATTERN,UPP COWL.,LH           |           |          |  |  | 1  |
| 56075E   | 56075-3820 | PATTERN,UPP COWL.,RH           |           |          |  |  | 1  |
| 56075F   | 56075-3821 | PATTERN,TAIL COVER,LH          |           |          |  |  | 1  |
| 56075G   | 56075-3822 | PATTERN,TAIL COVER,RH          |           |          |  |  | 1  |
| 57001    | 57001-1752 | RIM STRIPE APPLICATOR (OPTION) |           |          |  |  | AR |

# '18 ZR900 BJJ

F2861A



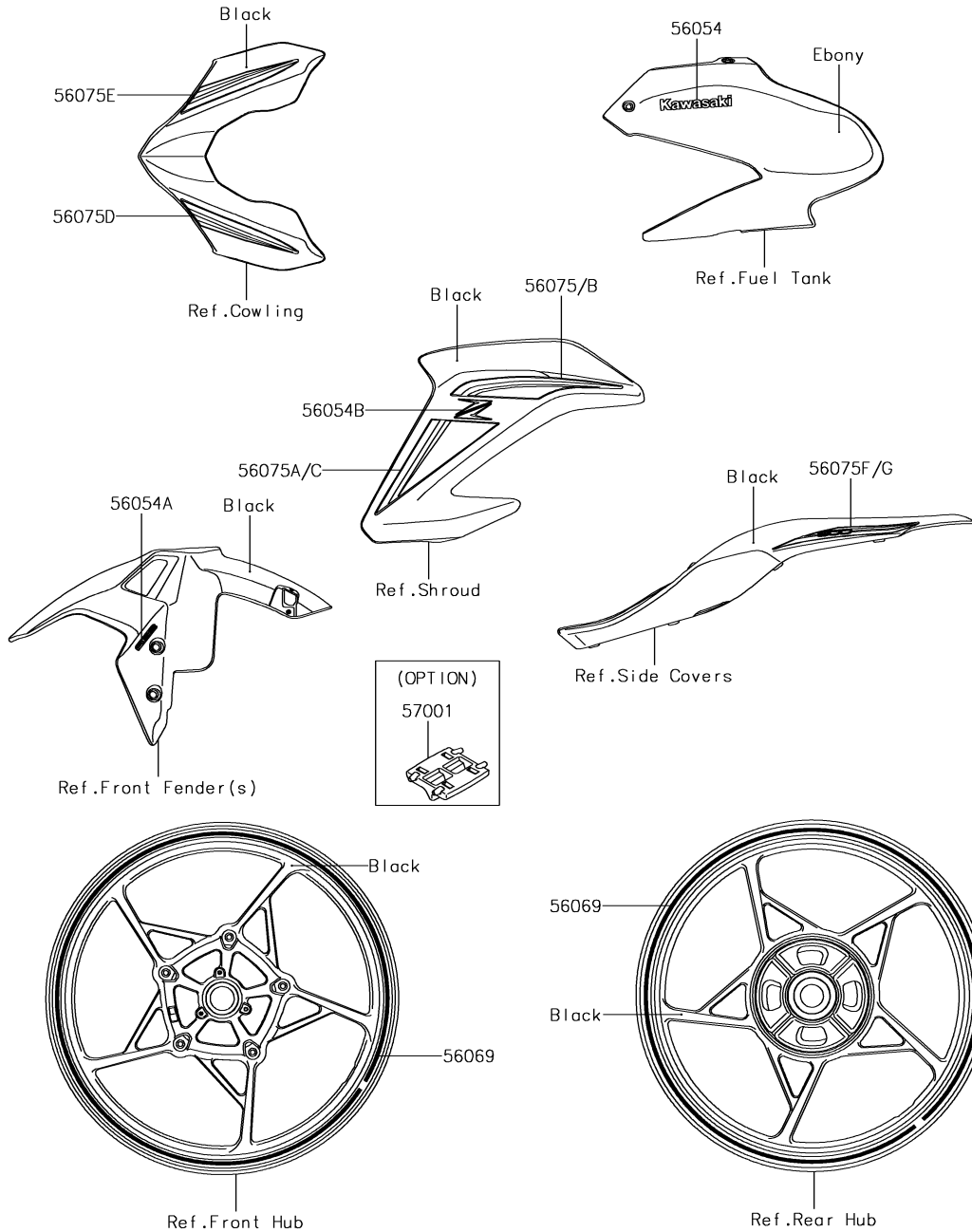
## 61. Decals(Red)

| Ref. No. | Part No.   | Description                    | Spec Code | Quantity |  |    |  |
|----------|------------|--------------------------------|-----------|----------|--|----|--|
|          |            |                                |           | '18      |  |    |  |
| 56054    | 56054-1356 | MARK,KAWASAKI                  |           |          |  | 2  |  |
| 56054A   | 56054-1412 | MARK,FR FENDER,ABS             |           |          |  | 2  |  |
| 56054B   | 56054-2205 | MARK,SHROUD,Z,3D               |           |          |  | 2  |  |
| 56069    | 56069-0301 | PATTERN,WHEEL,RED              |           |          |  | 4  |  |
| 56075    | 56075-3807 | PATTERN,SHROUD,LH,UPP          |           |          |  | 1  |  |
| 56075A   | 56075-3808 | PATTERN,SHROUD,LH,LWR          |           |          |  | 1  |  |
| 56075B   | 56075-3809 | PATTERN,SHROUD,RH,UPP          |           |          |  | 1  |  |
| 56075C   | 56075-3810 | PATTERN,SHROUD,RH,LWR          |           |          |  | 1  |  |
| 56075D   | 56075-3811 | PATTERN,UPP COWL.,LH           |           |          |  | 1  |  |
| 56075E   | 56075-3812 | PATTERN,UPP COWL.,RH           |           |          |  | 1  |  |
| 56075F   | 56075-3813 | PATTERN,TAIL COVER,LH          |           |          |  | 1  |  |
| 56075G   | 56075-3814 | PATTERN,TAIL COVER,RH          |           |          |  | 1  |  |
| 57001    | 57001-1752 | RIM STRIPE APPLICATOR (OPTION) |           |          |  | AR |  |



# '18 ZR900 BJJ

F2861B

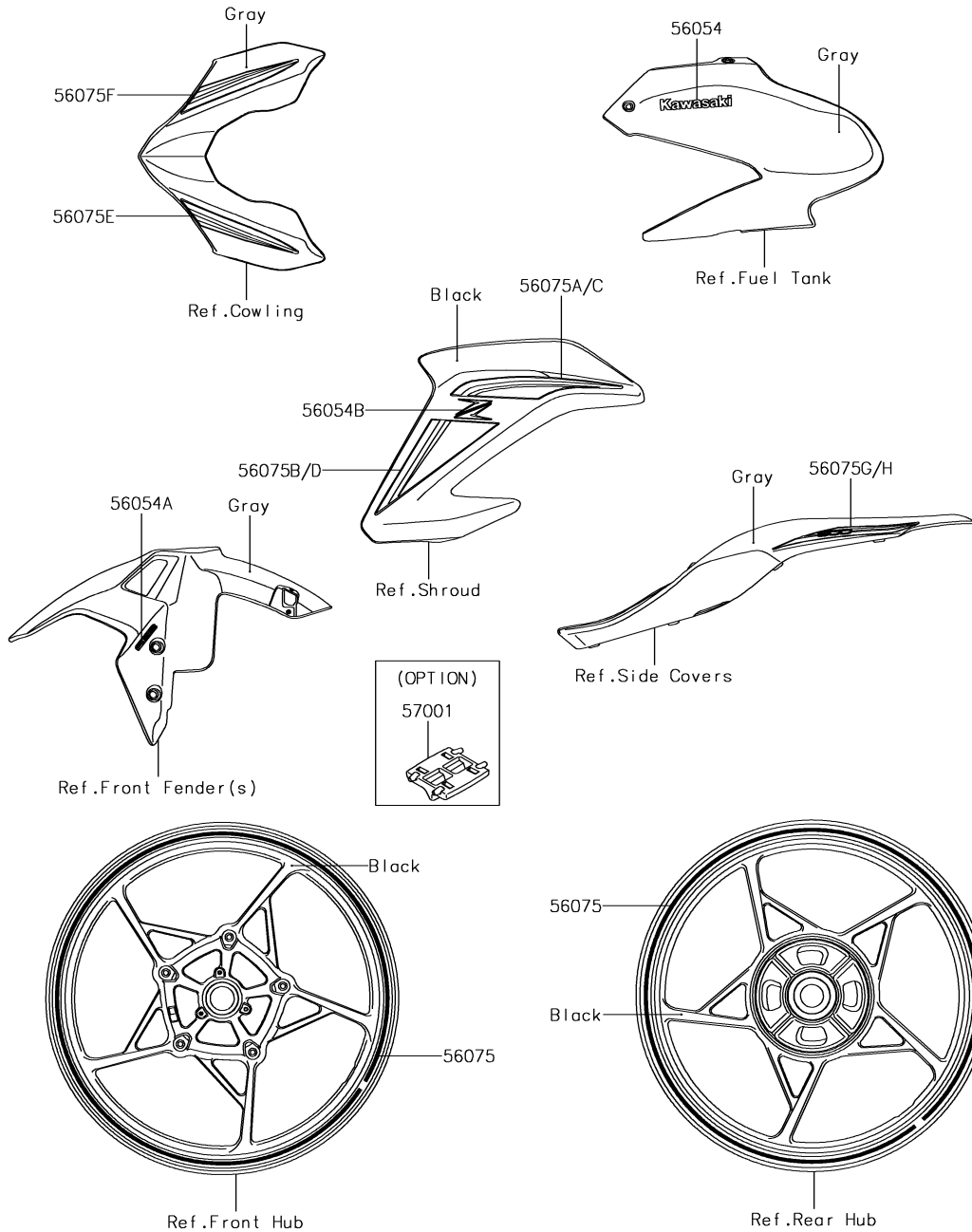


## 62. Decals(Ebony)

| Ref. No. | Part No.   | Description                    | Spec Code | Quantity |  |    |  |
|----------|------------|--------------------------------|-----------|----------|--|----|--|
|          |            |                                |           | '18      |  |    |  |
| 56054    | 56054-1356 | MARK,KAWASAKI                  |           |          |  | 2  |  |
| 56054A   | 56054-1413 | MARK,FR FENDER,ABS             |           |          |  | 2  |  |
| 56054B   | 56054-2205 | MARK,SHROUD,Z,3D               |           |          |  | 2  |  |
| 56069    | 56069-0301 | PATTERN,WHEEL,RED              |           |          |  | 4  |  |
| 56075    | 56075-3799 | PATTERN,SHROUD,LH,UPP          |           |          |  | 1  |  |
| 56075A   | 56075-3800 | PATTERN,SHROUD,LH,LWR          |           |          |  | 1  |  |
| 56075B   | 56075-3801 | PATTERN,SHROUD,RH,UPP          |           |          |  | 1  |  |
| 56075C   | 56075-3802 | PATTERN,SHROUD,RH,LWR          |           |          |  | 1  |  |
| 56075D   | 56075-3803 | PATTERN,UPP COWL.,LH           |           |          |  | 1  |  |
| 56075E   | 56075-3804 | PATTERN,UPP COWL.,RH           |           |          |  | 1  |  |
| 56075F   | 56075-3805 | PATTERN,TAIL COVER,LH          |           |          |  | 1  |  |
| 56075G   | 56075-3806 | PATTERN,TAIL COVER,RH          |           |          |  | 1  |  |
| 57001    | 57001-1752 | RIM STRIPE APPLICATOR (OPTION) |           |          |  | AR |  |

# '18 ZR900 BJJ

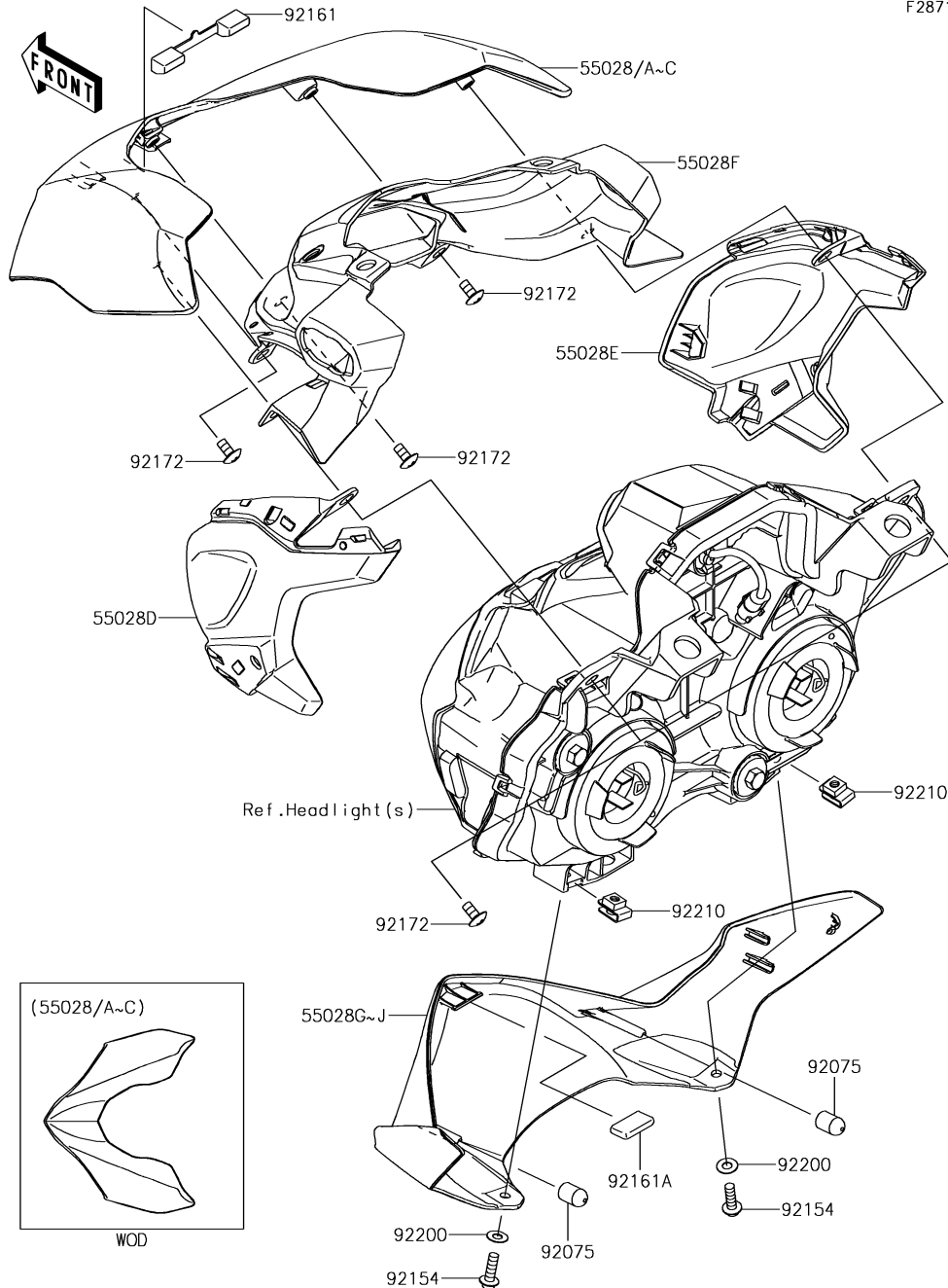
F2861C



## 63. Decals(Gray)

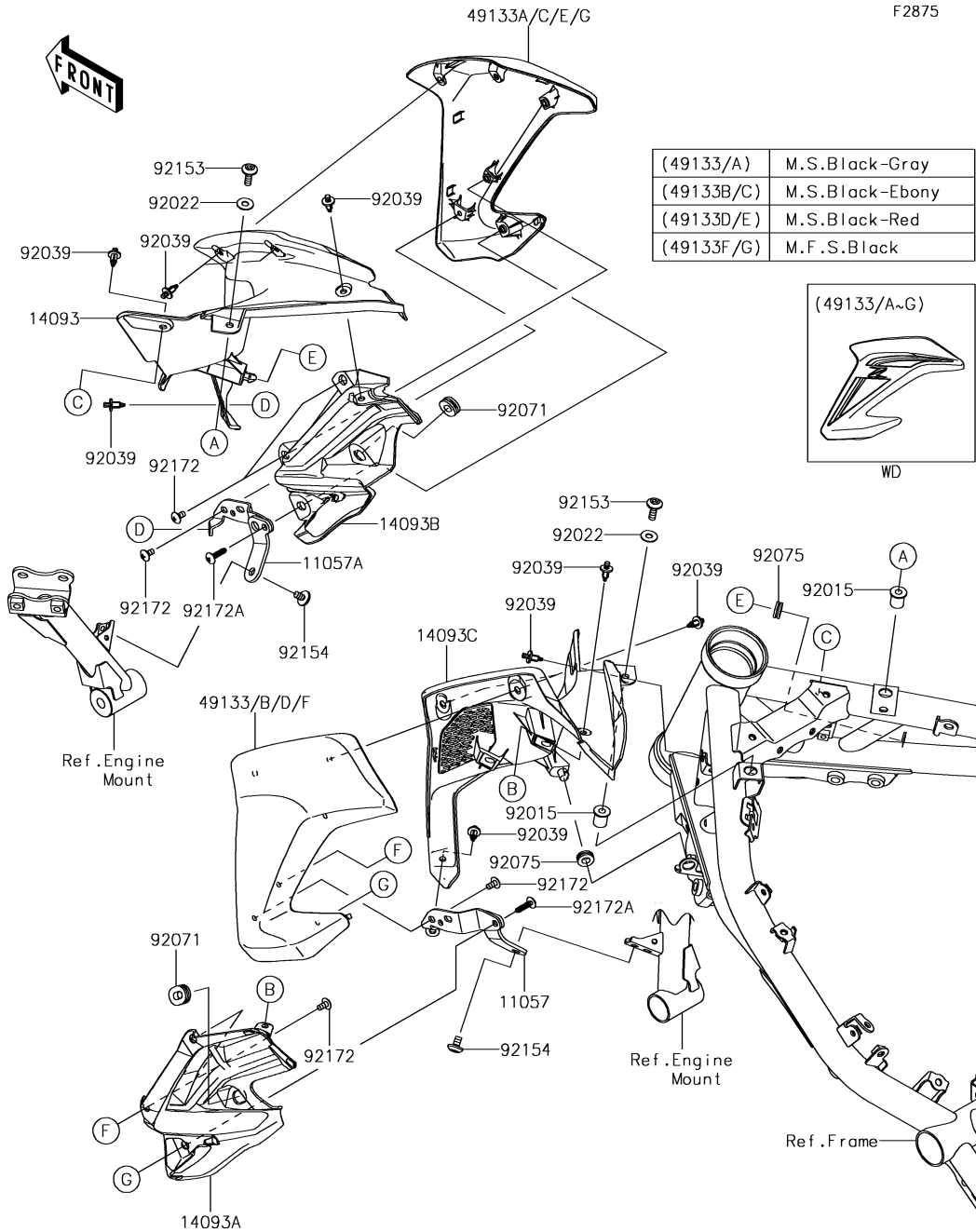
| Ref. No. | Part No.   | Description                    | Spec Code | Quantity |  |    |  |
|----------|------------|--------------------------------|-----------|----------|--|----|--|
|          |            |                                |           | '18      |  |    |  |
| 56054    | 56054-1356 | MARK,KAWASAKI                  |           |          |  | 2  |  |
| 56054A   | 56054-1413 | MARK,FR FENDER,ABS             |           |          |  | 2  |  |
| 56054B   | 56054-2205 | MARK,SHROUD,Z,3D               |           |          |  | 2  |  |
| 56075    | 56075-2279 | PATTERN,WHEEL,GRN,4X1353       |           |          |  | 4  |  |
| 56075A   | 56075-2584 | PATTERN,SHROUD,LH,UPP          |           |          |  | 1  |  |
| 56075B   | 56075-2585 | PATTERN,SHROUD,LH,LWR          |           |          |  | 1  |  |
| 56075C   | 56075-2586 | PATTERN,SHROUD,RH,UPP          |           |          |  | 1  |  |
| 56075D   | 56075-2587 | PATTERN,SHROUD,RH,LWR          |           |          |  | 1  |  |
| 56075E   | 56075-2588 | PATTERN,UPP COWL.,LH           |           |          |  | 1  |  |
| 56075F   | 56075-2589 | PATTERN,UPP COWL.,RH           |           |          |  | 1  |  |
| 56075G   | 56075-2590 | PATTERN,TAIL COVER,LH          |           |          |  | 1  |  |
| 56075H   | 56075-2591 | PATTERN,TAIL COVER,RH          |           |          |  | 1  |  |
| 57001    | 57001-1752 | RIM STRIPE APPLICATOR (OPTION) |           |          |  | AR |  |

F2871



## 64. Cowling

| Ref. No. | Part No.       | Description                | Spec Code | Quantity |   |  |  |
|----------|----------------|----------------------------|-----------|----------|---|--|--|
|          |                |                            |           | '18      |   |  |  |
|          |                |                            |           | BJF      |   |  |  |
| 55028    | 55028-0604-36P | COWLING,UPP,P.M.GRAY       |           |          | 1 |  |  |
| 55028A   | 55028-0604-51P | COWLING,UPP,C.L.GREEN      |           |          | 1 |  |  |
| 55028B   | 55028-0604-660 | COWLING,UPP,M.S.BLACK      |           |          | 1 |  |  |
| 55028C   | 55028-0604-A5  | COWLING,UPP,C.P.RED        |           |          | 1 |  |  |
| 55028D   | 55028-0605     | COWLING,SIDE,LH            |           |          | 1 |  |  |
| 55028E   | 55028-0606     | COWLING,SIDE,RH            |           |          | 1 |  |  |
| 55028F   | 55028-0608     | COWLING,SIGNAL             |           |          | 1 |  |  |
| 55028G   | 55028-0656-36P | COWLING,LWR,P.M.GRAY       |           |          | 1 |  |  |
| 55028H   | 55028-0656-45L | COWLING,LWR,F.EBONY        |           |          | 1 |  |  |
| 55028I   | 55028-0656-739 | COWLING,LWR,M.F.S.BLACK    |           |          | 1 |  |  |
| 55028J   | 55028-0656-A5  | COWLING,LWR,C.P.RED        |           |          | 1 |  |  |
| 92075    | 92075-1964     | DAMPER                     |           |          | 2 |  |  |
| 92154    | 92154-0209     | BOLT,SOCKET,5X16           |           |          | 2 |  |  |
| 92161    | 92161-0885     | DAMPER                     |           |          | 1 |  |  |
| 92161A   | 92161-1367     | DAMPER,12X23               |           |          | 1 |  |  |
| 92172    | 92172-0864     | SCREW,5X10                 |           |          | 5 |  |  |
| 92200    | 92200-0006     | WASHER,NYLONE,5.3X11.5X0.5 |           |          | 2 |  |  |
| 92210    | 92210-0935     | NUT,PLATE,5MM              |           |          | 2 |  |  |



| Ref. No. | Part No. | Description | Spec Code | Quantity |  |  |  |
|----------|----------|-------------|-----------|----------|--|--|--|
|          |          |             |           | '18      |  |  |  |
|          |          |             |           | BJF      |  |  |  |

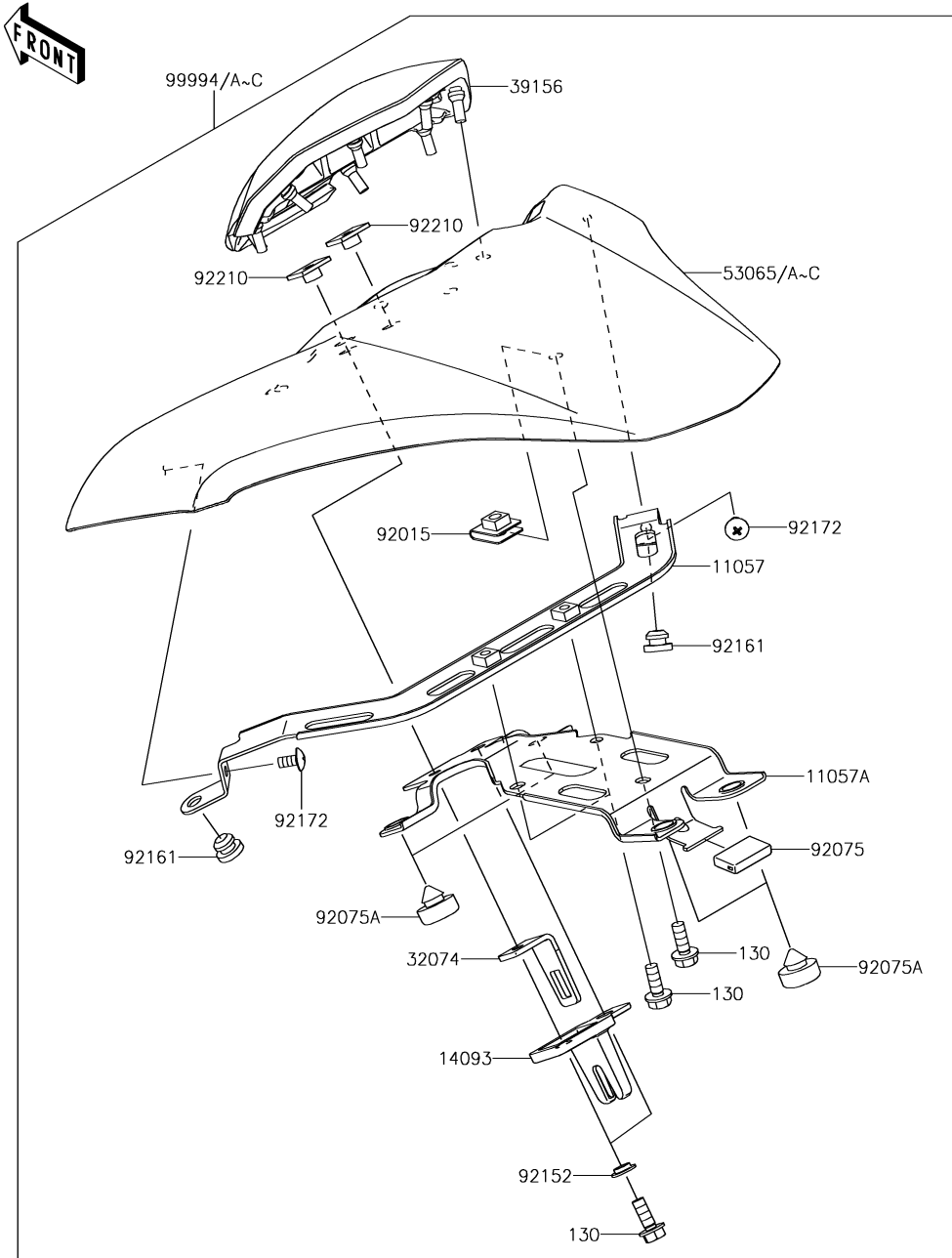
|        |                |                       |  |  |  |  |    |
|--------|----------------|-----------------------|--|--|--|--|----|
| 11057  | 11057-0254     | BRACKET,SHROUD,LH     |  |  |  |  | 1  |
| 11057A | 11057-0255     | BRACKET,SHROUD,RH     |  |  |  |  | 1  |
| 14093  | 14093-0506     | COVER,INNER,RH,FR     |  |  |  |  | 1  |
| 14093A | 14093-0507     | COVER,INNER,LH,RR     |  |  |  |  | 1  |
| 14093B | 14093-0508     | COVER,INNER,RH,RR     |  |  |  |  | 1  |
| 14093C | 14093-0638     | COVER,INNER,LH,FR     |  |  |  |  | 1  |
| 49133  | 49133-5273-660 | SHROUD,LH,M.S.BLACK   |  |  |  |  | 1  |
| 49133A | 49133-5274-660 | SHROUD,RH,M.S.BLACK   |  |  |  |  | 1  |
| 49133B | 49133-5367-660 | SHROUD,LH,M.S.BLACK   |  |  |  |  | 1  |
| 49133C | 49133-5368-660 | SHROUD,RH,M.S.BLACK   |  |  |  |  | 1  |
| 49133D | 49133-5369-660 | SHROUD,LH,M.S.BLACK   |  |  |  |  | 1  |
| 49133E | 49133-5370-660 | SHROUD,RH,M.S.BLACK   |  |  |  |  | 1  |
| 49133F | 49133-5371-739 | SHROUD,LH,M.F.S.BLACK |  |  |  |  | 1  |
| 49133G | 49133-5372-739 | SHROUD,RH,M.F.S.BLACK |  |  |  |  | 1  |
| 92015  | 92015-1700     | NUT                   |  |  |  |  | 2  |
| 92022  | 92022-1654     | WASHER,6.5X16X1.0     |  |  |  |  | 2  |
| 92039  | 92039-0068     | RIVET                 |  |  |  |  | 10 |
| 92071  | 92071-0762     | GROMMET,11X23X7       |  |  |  |  | 2  |
| 92075  | 92075-161      | DAMPER                |  |  |  |  | 2  |
| 92153  | 92153-0816     | BOLT,6X18             |  |  |  |  | 2  |
| 92154  | 92154-2667     | BOLT,SOCKET,6X10      |  |  |  |  | 2  |
| 92172  | 92172-0864     | SCREW,5X10            |  |  |  |  | 6  |
| 92172A | 92172-1159     | SCREW,TAPPING,5X20    |  |  |  |  | 2  |

F2910

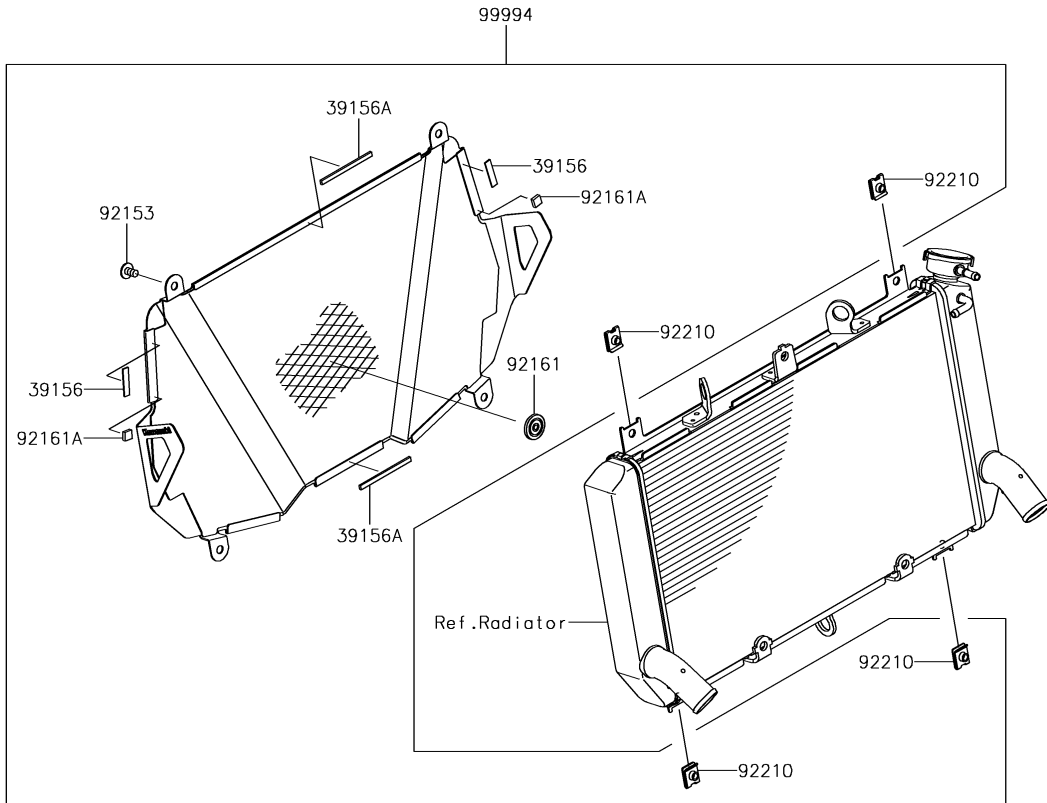
66. Accessory(Single Seat Cover)

| Ref. No. | Part No. | Description | Spec Code | Quantity |  |  |  |
|----------|----------|-------------|-----------|----------|--|--|--|
|          |          |             |           | '18      |  |  |  |
|          |          |             |           | BJF      |  |  |  |

|        |                |                                |  |  |  |  |   |
|--------|----------------|--------------------------------|--|--|--|--|---|
| 11057  | 11057-0269     | BRACKET                        |  |  |  |  | 1 |
| 11057A | 11057-0270     | BRACKET,MOUNT                  |  |  |  |  | 1 |
| 14093  | 14093-0515     | COVER                          |  |  |  |  | 1 |
| 32074  | 32074-0017     | BRACKET-LOCK                   |  |  |  |  | 1 |
| 39156  | 39156-2122     | PAD                            |  |  |  |  | 1 |
| 53065  | 53065-0040-36P | COVER SEAT,P.M.GRAY            |  |  |  |  | 1 |
| 53065A | 53065-0040-51P | COVER SEAT,C.L.GREEN           |  |  |  |  | 1 |
| 53065B | 53065-0040-660 | COVER SEAT,M.S.BLACK           |  |  |  |  | 1 |
| 53065C | 53065-0040-A5  | COVER SEAT,C.P.RED             |  |  |  |  | 1 |
| 92015  | 92015-1531     | NUT,CLAMP,6MM                  |  |  |  |  | 1 |
| 92075  | 92075-1446     | DAMPER                         |  |  |  |  | 1 |
| 92075A | 92075-1927     | DAMPER,10X20X8                 |  |  |  |  | 4 |
| 92152  | 92152-0250     | COLLAR                         |  |  |  |  | 2 |
| 92161  | 92161-1084     | DAMPER                         |  |  |  |  | 2 |
| 92172  | 92172-0864     | SCREW,5X10                     |  |  |  |  | 2 |
| 92210  | 92210-1352     | NUT,PLATE,6MM                  |  |  |  |  | 2 |
| 99994  | 99994-0835-36P | KIT,SINGLE SEAT COVER,P.M.GRAY |  |  |  |  | 1 |
| 99994A | 99994-0835-51P | KIT,SINGLE SEAT COVER,C.L.GRN  |  |  |  |  | 1 |
| 99994B | 99994-0835-660 | KIT,SINGLE SEAT COVER,M.S.BLK  |  |  |  |  | 1 |
| 99994C | 99994-0835-A5  | KIT,SINGLE SEAT COVER,C.P.RED  |  |  |  |  | 1 |
| 130    | 130BB0616      | BOLT-FLANGED,6X16              |  |  |  |  | 5 |



F2910A



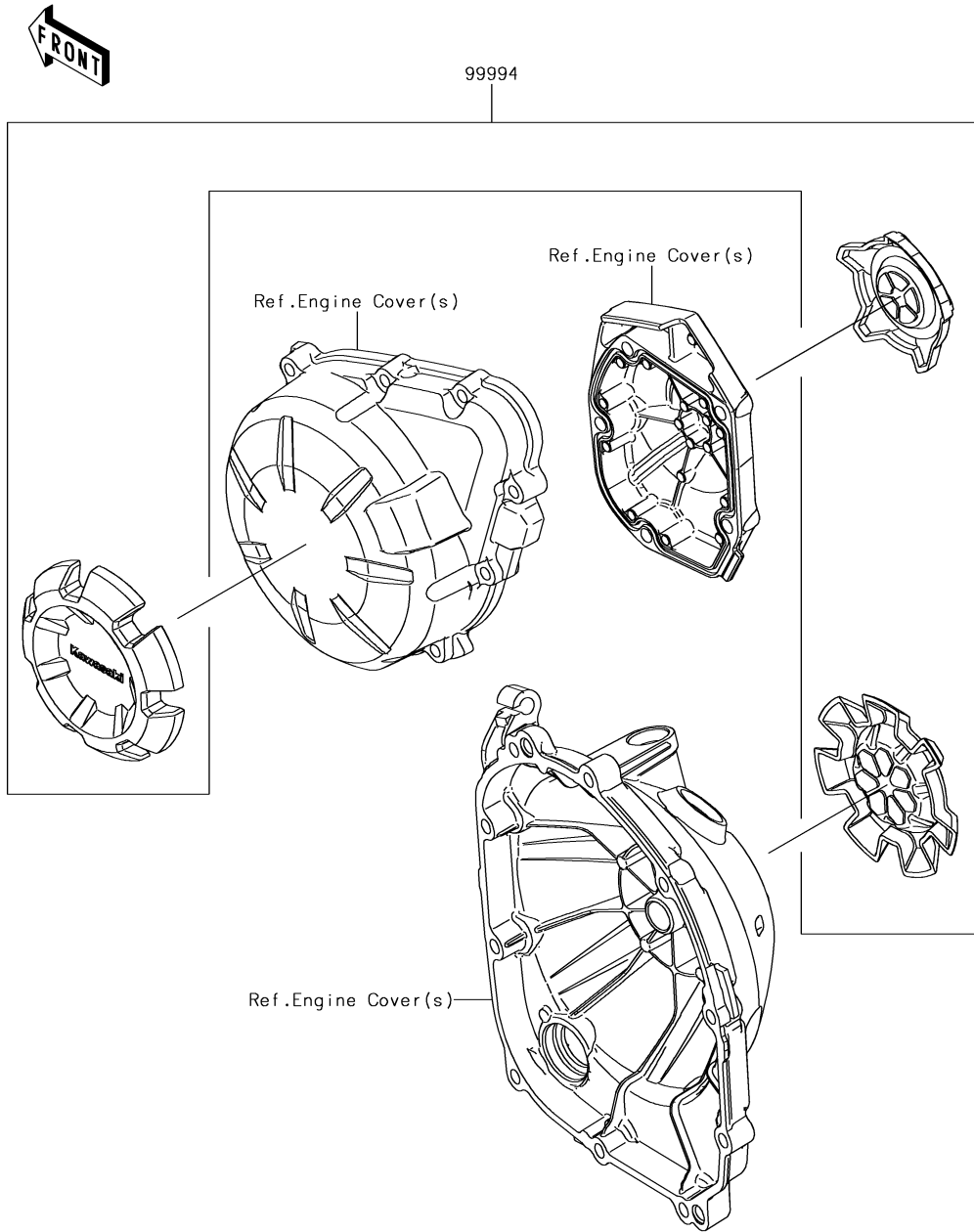
## 67. Accessory(Radiator Screen)

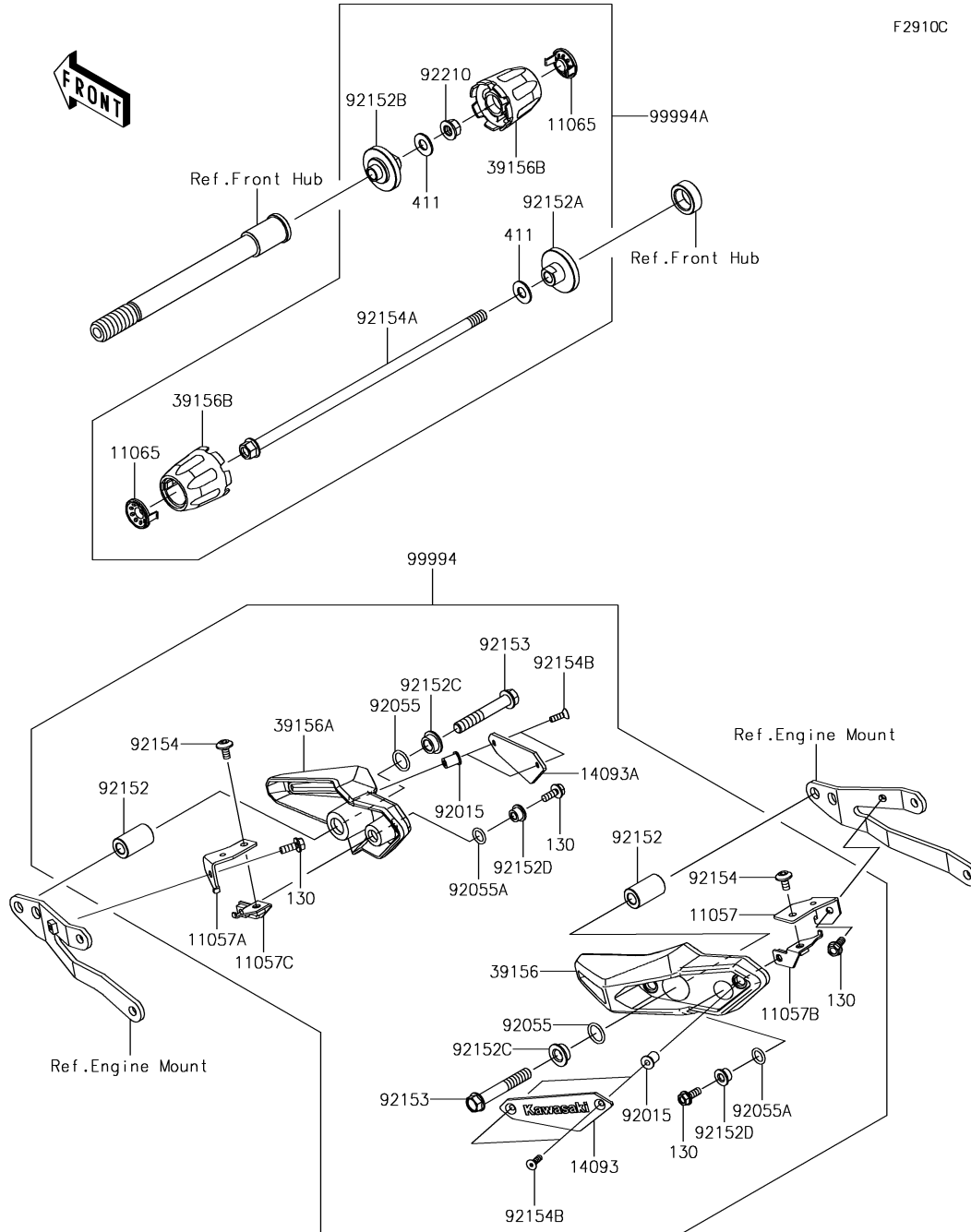
| Ref. No. | Part No.   | Description                  | Spec Code | Quantity |  |  |   |
|----------|------------|------------------------------|-----------|----------|--|--|---|
|          |            |                              |           | '18      |  |  |   |
| 39156    | 39156-2167 | PAD,6X25X1                   |           |          |  |  | 2 |
| 39156A   | 39156-2189 | PAD,4X60X2                   |           |          |  |  | 2 |
| 92153    | 92153-1527 | BOLT,SOCKET,6X10             |           |          |  |  | 4 |
| 92161    | 92161-1685 | DAMPER,8X22X10               |           |          |  |  | 1 |
| 92161A   | 92161-1976 | DAMPER                       |           |          |  |  | 2 |
| 92210    | 92210-1518 | NUT                          |           |          |  |  | 4 |
| 99994    | 99994-0871 | KIT-ACCESSORY,SE RAD. SCREEN |           |          |  |  | 1 |

F2910B

68. Accessory(Engine Cover Ring)

| Ref. No. | Part No.   | Description                   | Spec Code | Quantity |  |  |   |
|----------|------------|-------------------------------|-----------|----------|--|--|---|
|          |            |                               |           | '18      |  |  |   |
| 99994    | 99994-0868 | KIT-ACCESSORY,ENG. COVER RING |           |          |  |  | 1 |

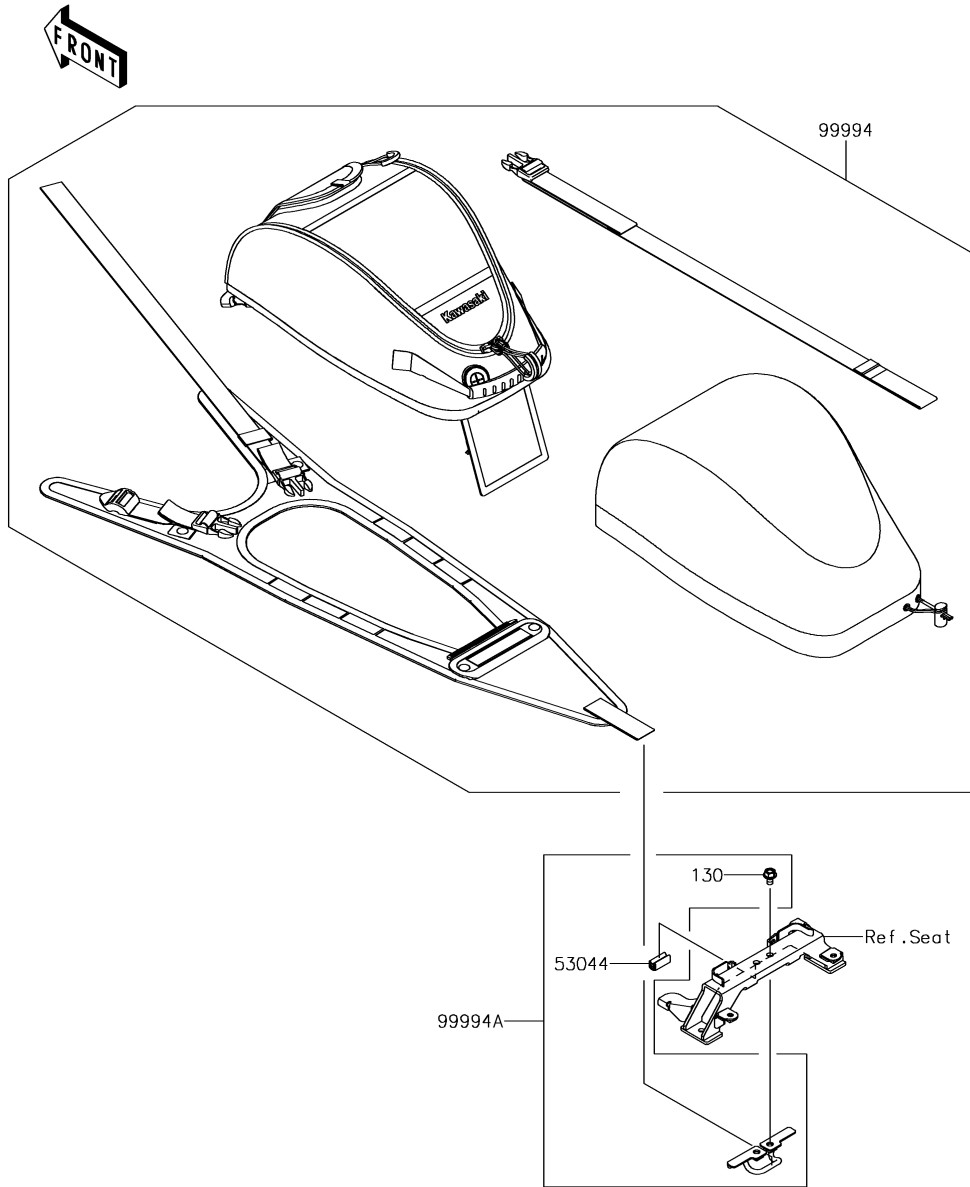




| Ref. No. | Part No.       | Description                  | Spec Code | Quantity |   |  |  |
|----------|----------------|------------------------------|-----------|----------|---|--|--|
|          |                |                              |           | '18      |   |  |  |
|          |                |                              |           | BJF      |   |  |  |
| 11057    | 11057-0313     | BRACKET,LH                   |           |          | 1 |  |  |
| 11057A   | 11057-0314     | BRACKET,RH                   |           |          | 1 |  |  |
| 11057B   | 11057-0778     | BRACKET,LH                   |           |          | 1 |  |  |
| 11057C   | 11057-0779     | BRACKET,RH                   |           |          | 1 |  |  |
| 11065    | 11065-0960-54N | CAP,B.SILVER                 |           |          | 2 |  |  |
| 14093    | 14093-0516     | COVER,LH                     |           |          | 1 |  |  |
| 14093A   | 14093-0517     | COVER,RH                     |           |          | 1 |  |  |
| 39156    | 39156-2123     | PAD,LH                       |           |          | 1 |  |  |
| 39156A   | 39156-2124     | PAD,RH                       |           |          | 1 |  |  |
| 39156B   | 39156-2212     | PAD,AXLE SLIDER              |           |          | 2 |  |  |
| 92015    | 92015-1757     | NUT,WELL,5MM                 |           |          | 4 |  |  |
| 92055    | 92055-0884     | RING-O,15.8X2.4              |           |          | 2 |  |  |
| 92055A   | 92055-0885     | RING-O,11X2.4                |           |          | 2 |  |  |
| 92152    | 92152-2268     | COLLAR,10.5X20X34            |           |          | 2 |  |  |
| 92152A   | 92152-2272     | COLLAR,LH                    |           |          | 1 |  |  |
| 92152B   | 92152-2273     | COLLAR,RH                    |           |          | 1 |  |  |
| 92152C   | 92152-2334     | COLLAR,10.5X22X8.1           |           |          | 2 |  |  |
| 92152D   | 92152-2335     | COLLAR,6.5X16X8.1            |           |          | 2 |  |  |
| 92153    | 92153-1931     | BOLT,FLANGED,10X65           |           |          | 2 |  |  |
| 92154    | 92154-1788     | BOLT,SOCKET,6X12             |           |          | 2 |  |  |
| 92154A   | 92154-2250     | BOLT,AXLE,10X300             |           |          | 1 |  |  |
| 92154B   | 92154-2669     | BOLT,SOCKET,5X16             |           |          | 4 |  |  |
| 92210    | 92210-1139     | NUT,LOCK,FLANGED,10MM        |           |          | 1 |  |  |
| 99994    | 99994-0836     | KIT-ACCESSORY,SHROUD SLIDER  |           |          | 1 |  |  |
| 99994A   | 99994-0837     | KIT-ACCESSORY,FR AXLE SLIDER |           |          | 1 |  |  |
| 130      | 130CB0616      | BOLT-FLANGED,6X16            |           |          | 4 |  |  |
| 411      | 411AA1000      | WASHER-PLAIN,10MM            |           |          | 2 |  |  |



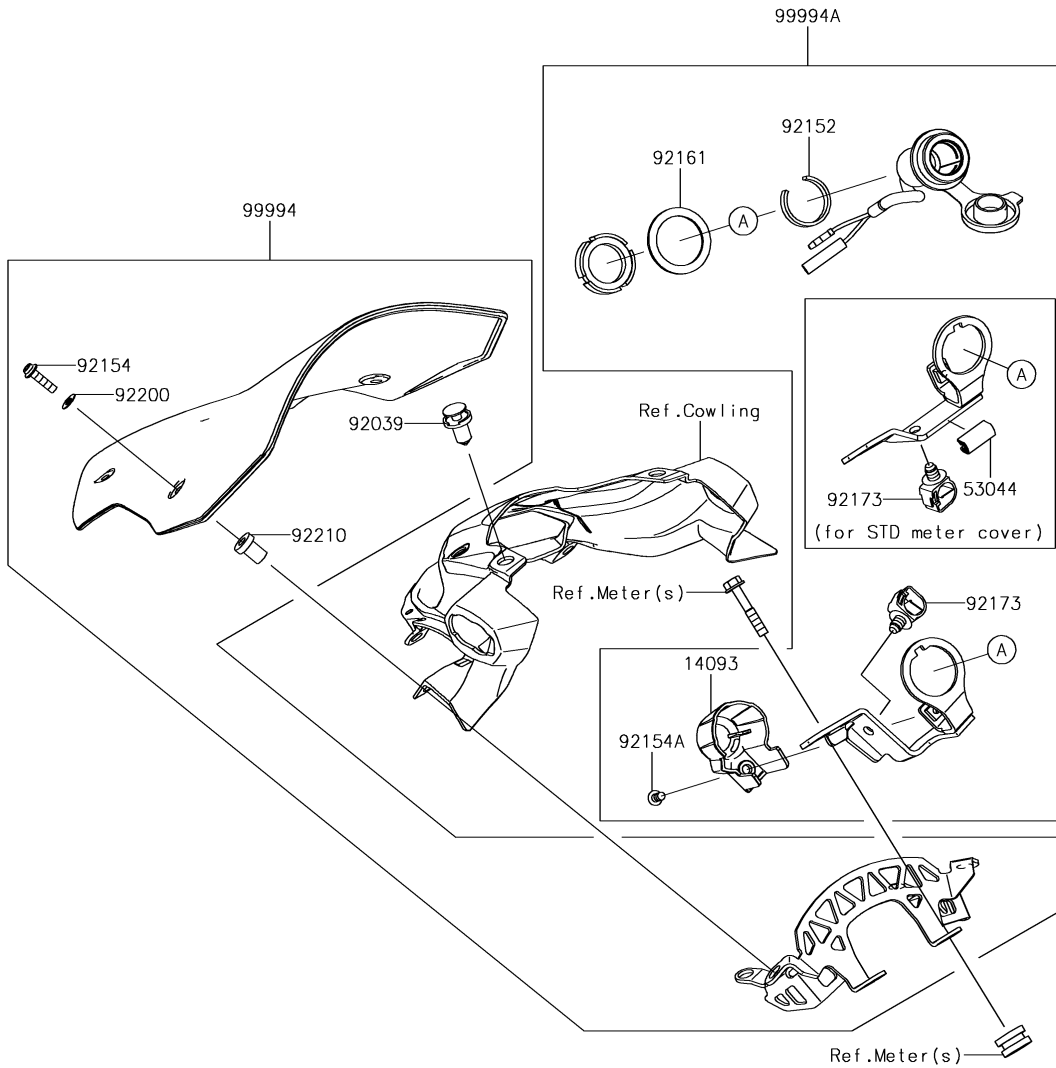
F2910D



70. Accessory(Tank Bag)

| Ref. No. | Part No.   | Description                   | Spec Code | Quantity |  |  |  |   |
|----------|------------|-------------------------------|-----------|----------|--|--|--|---|
|          |            |                               |           | '18      |  |  |  |   |
| 53044    | 53044-0031 | TRIM,L=22                     |           |          |  |  |  | 1 |
| 99994    | 99994-0803 | KIT-ACCESSORY,TANK BAG        |           |          |  |  |  | 1 |
| 99994A   | 99994-0986 | KIT-ACCESSORY,BKT FOR TANKBAG |           |          |  |  |  | 1 |
| 130      | 130BA0610  | BOLT-FLANGED,6X10             |           |          |  |  |  | 2 |

F2910E



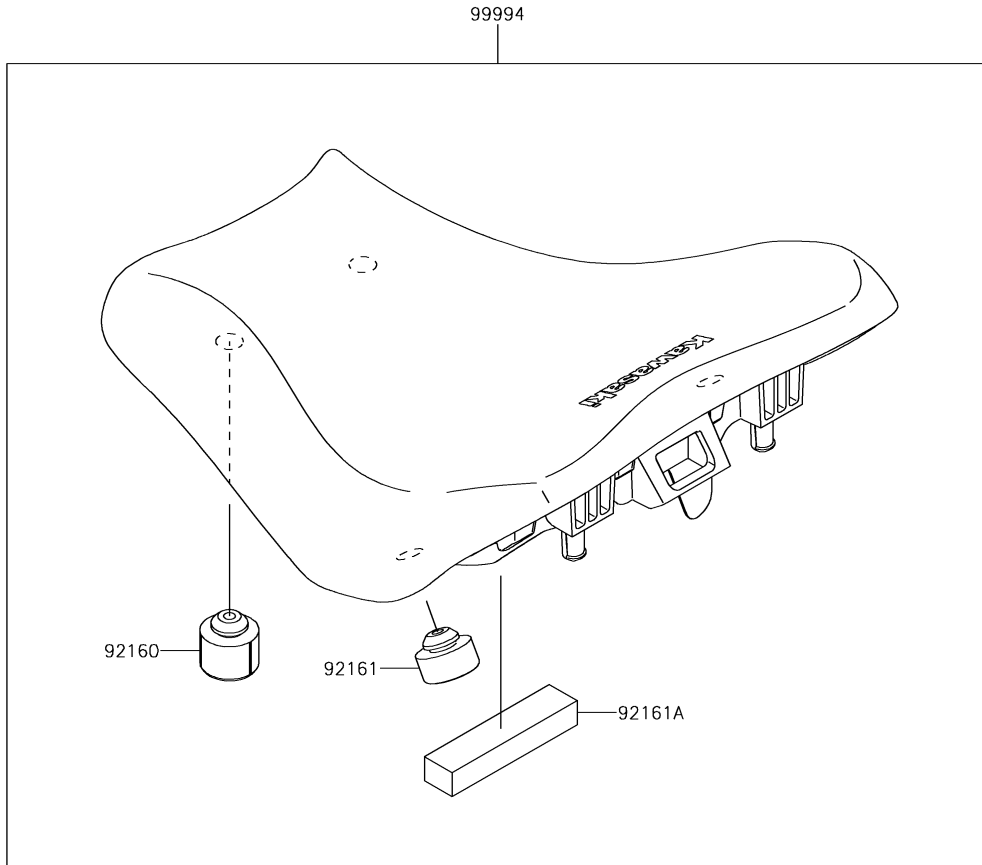
## 71. Accessory(Large Meter Cover)

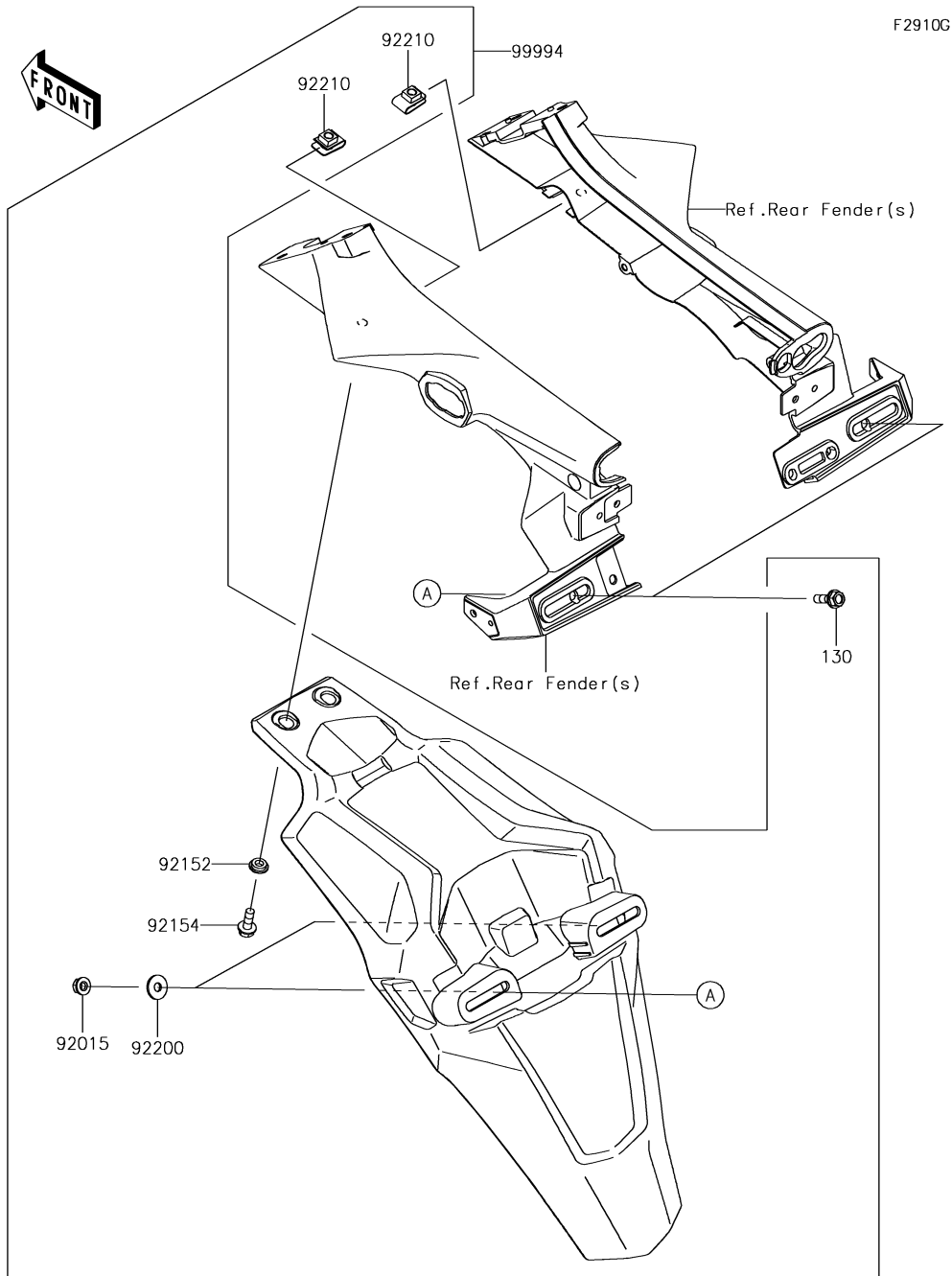
| Ref. No. | Part No.   | Description                    | Spec Code | Quantity |  |   |  |
|----------|------------|--------------------------------|-----------|----------|--|---|--|
|          |            |                                |           | '18      |  |   |  |
| 14093    | 14093-0212 | COVER,SOCKET                   |           |          |  | 1 |  |
| 53044    | 53044-0031 | TRIM,L=22                      |           |          |  | 1 |  |
| 92039    | 92039-0098 | RIVET                          |           |          |  | 2 |  |
| 92152    | 92152-2135 | COLLAR                         |           |          |  | 1 |  |
| 92154    | 92154-0210 | BOLT,SOCKET,5X20               |           |          |  | 4 |  |
| 92154A   | 92154-0917 | BOLT,SOCKET,5X12               |           |          |  | 1 |  |
| 92161    | 92161-1789 | DAMPER                         |           |          |  | 1 |  |
| 92173    | 92173-0736 | CLAMP,12MM DIA.                |           |          |  | 1 |  |
| 92200    | 92200-0006 | WASHER,NYLONE,5.3X11.5X0.5     |           |          |  | 4 |  |
| 92210    | 92210-0001 | NUT,5MM                        |           |          |  | 4 |  |
| 99994    | 99994-0834 | KIT-ACCESSORY,LARGE METER COV  |           |          |  | 1 |  |
| 99994A   | 99994-0838 | KIT-ACCESSORY,12V POWER SOCKET |           |          |  | 1 |  |



**72. Accessory(High Seat)**

| Ref. No. | Part No.   | Description             | Spec Code | Quantity |  |  |  |   |
|----------|------------|-------------------------|-----------|----------|--|--|--|---|
|          |            |                         |           | '18      |  |  |  |   |
| 92160    | 92160-1513 | DAMPER                  |           |          |  |  |  | 2 |
| 92161    | 92161-0930 | DAMPER,SEAT             |           |          |  |  |  | 2 |
| 92161A   | 92161-1867 | DAMPER,20X90X15         |           |          |  |  |  | 1 |
| 99994    | 99994-0931 | KIT-ACCESSORY,HIGH SEAT |           |          |  |  |  | 1 |





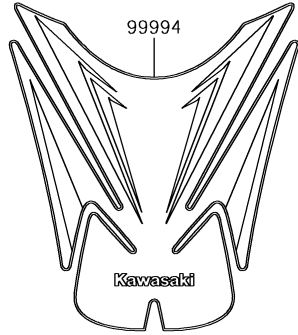
### 73. Accessory(Extended Flap)

| Ref. No. | Part No.   | Description                 | Spec Code | Quantity |  |  |  |
|----------|------------|-----------------------------|-----------|----------|--|--|--|
|          |            |                             |           | '18      |  |  |  |
| 92015    | 92015-1367 | NUT,FLANGED,6MM             |           | 2        |  |  |  |
| 92152    | 92152-2306 | COLLAR,6.2X14X3.7           |           | 2        |  |  |  |
| 92154    | 92154-1893 | BOLT,FLANGED-SMALL,6X16     |           | 2        |  |  |  |
| 92200    | 92200-0766 | WASHER,6.5X18X1.6           |           | 2        |  |  |  |
| 92210    | 92210-0933 | NUT,CLIP,6MM                |           | 2        |  |  |  |
| 99994    | 99994-0848 | KIT-ACCESSORY,EXTENDED FLAP |           | 1        |  |  |  |
| 130      | 130BA0620  | BOLT-FLANGED,6X20           |           | 2        |  |  |  |

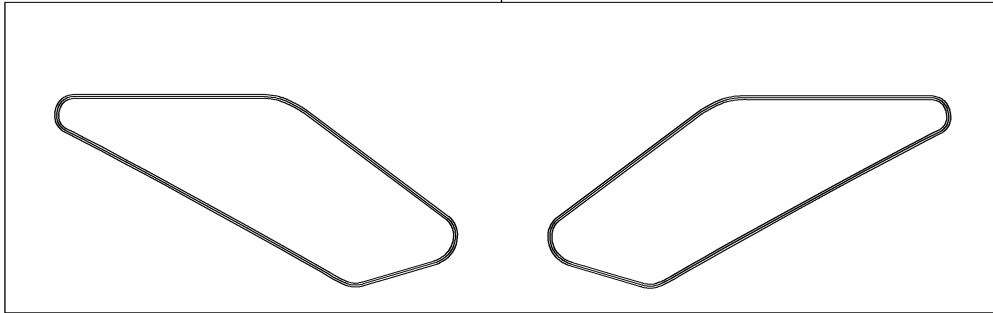
F2910H

74. Accessory(Pads)

| Ref. No. | Part No.   | Description            | Spec Code | Quantity |  |  |  |   |
|----------|------------|------------------------|-----------|----------|--|--|--|---|
|          |            |                        |           | '18      |  |  |  |   |
| 99994    | 99994-0832 | KIT-ACCESSORY,TANK PAD |           |          |  |  |  | 1 |
| 99994A   | 99994-0833 | KIT-ACCESSORY,KNEE PAD |           |          |  |  |  | 1 |



99994A



**'18 ZR900 BJB****Numerical Parts Index**

| Part No.       | Fig No. | Part No.   | Fig No. | Part No.      | Fig No. | Part No.       | Fig No. | Part No.   | Fig No. | Part No.       | Fig No. |
|----------------|---------|------------|---------|---------------|---------|----------------|---------|------------|---------|----------------|---------|
| 11004-0769     | 1       | 12004-0750 | 6       | 130CA0614     | 49      | 132BC0620      | 27      | 16160-0796 | 22      | 26006-0001     | 25      |
| 11005-0672     | 3       | 12005-0771 | 6       | 130CA0816     | 29      | 132BC0660      | 22      | 16163-0896 | 18      | 26006-0001     | 56      |
| 11008-0888     | 1       | 12009-0030 | 6       | 130CB0616     | 69      | 14001-0668     | 14      | 16164-0012 | 21      | 26006-0052     | 56      |
| 11009-1145     | 27      | 12009-1091 | 6       | 130CC0616     | 17      | 14013-1051     | 14      | 18018-0603 | 16      | 26006-0055     | 56      |
| 11009-1325     | 47      | 12011-1053 | 6       | 13102-0072    | 10      | 14014-0036     | 14      | 18110-0196 | 5       | 26006-1080     | 25      |
| 11010-0878     | 4       | 12021-0016 | 2       | 13107-0157    | 7       | 14026-0132     | 16      | 21003-0174 | 23      | 26006-1080     | 56      |
| 11012-1590     | 39      | 12032-0009 | 6       | 13107-0214    | 22      | 14031-0611     | 16      | 21007-0579 | 24      | 26011-0275     | 56      |
| 11013-0760     | 4       | 12032-0018 | 6       | 13107-1376    | 7       | 14032-0630     | 16      | 21007-0643 | 42      | 26011-0947     | 56      |
| 11056-0238     | 57      | 12046-0564 | 7       | 13107-1377    | 25      | 14073-0852     | 4       | 21007-0645 | 45      | 26011-0948     | 56      |
| 11056-2119     | 57      | 12048-0080 | 7       | 13127-0674    | 11      | 14073-0853     | 4       | 21007-0646 | 23      | 26011-0949     | 25      |
| 11057-0247     | 54      | 12053-0161 | 7       | 13128-0698    | 11      | 14073-0854     | 4       | 21007-5072 | 57      | 26012-0730     | 56      |
| 11057-0251     | 57      | 12053-0162 | 7       | 13140-0061    | 12      | 14092-0001     | 54      | 21039-0004 | 25      | 26031-2159     | 20      |
| 11057-0254     | 65      | 12053-0163 | 7       | 13140-0062    | 12      | 14092-0109     | 25      | 21040-0003 | 25      | 26031-2351     | 56      |
| 11057-0255     | 65      | 120CA0512  | 48-1    | 13144-0579    | 11      | 14093-0144     | 27      | 21066-0753 | 23      | 27002-0025     | 56      |
| 11057-0256     | 41      | 120CA0525  | 20      | 13145-0568    | 12      | 14093-0212     | 71      | 21163-0748 | 25      | 27002-1097     | 56      |
| 11057-0258     | 44      | 120CA0616  | 26      | 13159-0008    | 44      | 14093-0506     | 65      | 21171-0033 | 24      | 27003-0121     | 56      |
| 11057-0269     | 66      | 120CA0645  | 45      | 13161-0592    | 13      | 14093-0507     | 65      | 21175-1212 | 20      | 27005-0590     | 57      |
| 11057-0270     | 66      | 120CB0510  | 25      | 13168-0115    | 9       | 14093-0508     | 65      | 21176-0009 | 20      | 27008-0558     | 57      |
| 11057-0286     | 21      | 120CB0622  | 42      | 13187-0031    | 10      | 14093-0509-54N | 30      | 21176-0026 | 20      | 27010-0025     | 42      |
| 11057-0287     | 20      | 120CB0625  | 46      | 13194-1096    | 25      | 14093-0510-54N | 30      | 21176-0048 | 20      | 27010-0722     | 57      |
| 11057-0291     | 17      | 13001-0788 | 3       | 13216-0020    | 22      | 14093-0511     | 30      | 21176-0111 | 18      | 27010-0770     | 25      |
| 11057-0293     | 17      | 13002-0004 | 3       | 13234-0038    | 9       | 14093-0512     | 50      | 21176-0825 | 12      | 27010-0847     | 57      |
| 11057-0294     | 17      | 13008-0571 | 3       | 13236-0068    | 13      | 14093-0515     | 66      | 21176-0835 | 20      | 27010-0849     | 46      |
| 11057-0295     | 17      | 13031-0851 | 8       | 13236-0140    | 42      | 14093-0516     | 69      | 21176-0845 | 12      | 27010-1313     | 14      |
| 11057-0299     | 2       | 13041-0559 | 9       | 13236-0783    | 13      | 14093-0517     | 69      | 21176-0846 | 12      | 27016-0008     | 57      |
| 11057-0313     | 69      | 13042-0746 | 33      | 13236-0784    | 13      | 14093-0519     | 16      | 21176-0861 | 42      | 27016-5380     | 57      |
| 11057-0314     | 69      | 13042-5011 | 46      | 13239-0581    | 12      | 14093-0521     | 2       | 21176-0870 | 45      | 27045-5484     | 57      |
| 11057-0316     | 56      | 13045-1057 | 4       | 13251-0726-II | 8       | 14093-0526     | 50      | 21181-0014 | 57      | 28012-1077     | 57      |
| 11057-0317     | 56      | 13070-0795 | 45      | 13262-1233    | 11      | 14093-0638     | 65      | 220AB0525  | 46      | 28012-1088     | 57      |
| 11057-0319     | 57      | 13087-0583 | 10      | 13262-1234    | 11      | 14093-0667     | 48      | 224AB0408  | 55      | 31064-0692     | 18      |
| 11057-0563     | 56      | 13088-0568 | 10      | 13262-1235    | 11      | 14093-0668     | 48      | 225AB0412  | 44      | 311AA0600      | 30      |
| 11057-0778     | 69      | 13088-0588 | 10      | 13262-1236    | 11      | 16007-0034     | 6       | 23007-0205 | 55      | 32033-1535     | 22      |
| 11057-0779     | 69      | 13089-0023 | 10      | 13262-1237    | 11      | 16007-0711     | 10      | 23007-0206 | 55      | 32046-0401     | 49      |
| 11057-0874     | 17      | 13089-0024 | 10      | 13262-1238    | 11      | 16007-1227     | 6       | 23007-0210 | 53      | 32046-0418     | 49      |
| 11060-1103     | 5       | 13089-1073 | 10      | 13262-1239    | 11      | 16014-0017     | 18      | 23008-0181 | 53      | 32074-0017     | 66      |
| 11061-0107     | 22      | 13089-1084 | 10      | 13262-1240    | 11      | 16065-0132     | 1       | 23016-0607 | 54      | 32085-0742     | 47      |
| 11061-0402     | 3       | 13089-1115 | 10      | 13262-1241    | 11      | 16073-0053     | 25      | 23017-1067 | 53      | 32085-0801     | 33      |
| 11061-0403     | 16      | 13095-0118 | 10      | 13262-1242    | 11      | 16073-1123     | 18      | 23025-0361 | 54      | 32085-0820     | 57      |
| 11061-0404     | 16      | 130BA0512  | 24      | 13272-0573    | 42      | 16082-0769     | 41      | 23026-0028 | 54      | 32085-0821     | 57      |
| 11061-0447     | 5       | 130BA0610  | 56      | 13272-0698    | 14      | 16085-0134     | 9       | 23037-0342 | 55      | 32097-0045     | 30      |
| 11061-1213     | 2       | 130BA0610  | 70      | 13272-0699    | 14      | 16085-0609     | 25      | 23037-0343 | 55      | 32160-0957-18R | 28      |
| 11061-1214     | 2       | 130BA0612  | 56      | 13272-1413    | 10      | 16097-0008     | 22      | 23037-0350 | 55      | 32160-0957-54S | 28      |
| 11061-1215     | 4       | 130BA0616  | 56      | 13272-2238    | 16      | 16115-1053     | 16      | 23037-0351 | 55      | 32190-0721-18R | 29      |
| 11061-1216     | 4       | 130BA0620  | 73      | 13280-0306    | 46      | 16126-0740     | 21      | 23062-0893 | 56      | 32190-0722-18R | 29      |
| 11065-0328     | 2       | 130BA0622  | 41      | 13280-0307    | 46      | 16126-0745     | 4       | 23062-0894 | 56      | 32190-0723-18R | 29      |
| 11065-0960-54N | 69      | 130BA0635  | 48-1    | 13280-0814    | 25      | 16126-1140     | 37      | 23062-0928 | 50      | 32190-0724-18R | 29      |
| 11065-0972-58Z | 47      | 130BB0616  | 53      | 13280-0880    | 21      | 16130-1058     | 22      | 23062-0930 | 56      | 32190-0725     | 29      |
| 11065-0973-11G | 47      | 130BB0616  | 66      | 132BA0612     | 17      | 16142-0064     | 22      | 23062-0964 | 53      | 32190-0726     | 29      |
| 11065-0980     | 27      | 130BB0630  | 4       | 132BA0612     | 22      | 16142-0746     | 22      | 25023-0128 | 50      | 33001-0666-18R | 31      |
| 112BB0645      | 46      | 130BB0635  | 50      | 132BA0612     | 45      | 16154-0057     | 22      | 25031-0725 | 50      | 33032-0055     | 31      |

## '18 ZR900 BJB

## Numerical Parts Index

| Part No.       | Fig No. | Part No.       | Fig No. | Part No.       | Fig No. | Part No.       | Fig No. | Part No.       | Fig No. | Part No.   | Fig No. |
|----------------|---------|----------------|---------|----------------|---------|----------------|---------|----------------|---------|------------|---------|
| 33040-1109     | 31      | 39156-2148     | 48      | 43020-1094     | 44      | 44071-1223-58Z | 47      | 49133-5372-739 | 65      | 551A0814   | 16      |
| 34024-0141-18R | 36      | 39156-2156     | 53      | 43022-1010     | 42      | 45014-0569-21  | 32      | 51001-0853-660 | 48      | 56001-0299 | 46      |
| 34028-0004     | 33      | 39156-2167     | 67      | 43026-0009     | 44      | 46003-0673-18R | 46      | 51001-0853-739 | 48      | 56001-0300 | 46      |
| 34028-0005     | 33      | 39156-2176     | 30      | 43026-0019     | 42      | 46012-0376-18R | 46      | 51026-0013     | 48      | 56007-0108 | 58      |
| 34028-0349     | 33      | 39156-2177     | 30      | 43027-0008     | 42      | 46012-0377-18R | 46      | 51026-0014-36P | 48      | 56008-0036 | 58      |
| 34028-0350     | 33      | 39156-2179     | 35      | 43027-1053     | 44      | 46019-0060     | 46      | 51026-0014-45L | 48      | 56030-0992 | 56      |
| 34028-0351     | 33      | 39156-2180     | 35      | 43028-0015     | 42      | 46075-0564     | 46      | 51026-0014-51P | 48      | 56030-0993 | 56      |
| 35004-0359-36P | 34      | 39156-2181     | 52      | 43028-1065     | 44      | 46076-0122     | 46      | 51026-0014-A5  | 48      | 56033-0885 | 59      |
| 35004-0359-660 | 34      | 39156-2189     | 67      | 43034-0049     | 42      | 46091-0344     | 46      | 51026-0015-36P | 48      | 56053-1349 | 59      |
| 35004-0359-739 | 34      | 39156-2191     | 48      | 43044-0082     | 45      | 46091-0345     | 46      | 51026-0015-45L | 48      | 56054-1064 | 60      |
| 35004-0359-A5  | 34      | 39156-2192     | 48      | 43045-1053     | 43      | 46092-0569     | 46      | 51026-0015-51P | 48      | 56054-1356 | 60      |
| 35019-0624     | 35      | 39156-2194     | 48      | 43048-0001     | 43      | 46102-0621     | 10      | 51026-0015-A5  | 48      | 56054-1356 | 61      |
| 35019-0625     | 35      | 39156-2195     | 48      | 43048-0008     | 45      | 461DB0500      | 25      | 51044-0863     | 19      | 56054-1356 | 62      |
| 35023-0421     | 35      | 39156-2196     | 53      | 43048-0021     | 43      | 480J1100       | 22      | 51049-0735     | 48      | 56054-1356 | 63      |
| 35023-0435     | 35      | 39156-2212     | 69      | 43049-0006     | 43      | 480J1400       | 13      | 52005-1120     | 16      | 56054-1412 | 61      |
| 35063-1362-18R | 30      | 39156-2215     | 48      | 43049-0007     | 43      | 482EA0100      | 33      | 53003-0432-MA  | 49      | 56054-1413 | 62      |
| 35063-1363-18R | 30      | 39156-2217     | 30      | 43049-0030     | 43      | 482EA5000      | 33      | 53003-0433-MA  | 49      | 56054-1413 | 63      |
| 35063-1364     | 26      | 39178-0264     | 5       | 43049-0031     | 43      | 482J0200       | 13      | 53044-0031     | 70      | 56054-1975 | 48      |
| 35063-1399-18R | 30      | 39188-0564     | 48      | 43056-1055     | 43      | 49002-0009     | 1       | 53044-0031     | 71      | 56054-2205 | 60      |
| 35063-1400-18R | 30      | 39188-0564     | 52      | 43056-1055     | 45      | 49006-0058     | 45      | 53065-0040-36P | 66      | 56054-2205 | 61      |
| 36001-0658-36P | 48      | 39188-0566     | 30      | 43057-1001     | 43      | 49006-1242     | 45      | 53065-0040-51P | 66      | 56054-2205 | 62      |
| 36001-0658-45L | 48      | 39192-0631     | 27      | 43057-1001     | 45      | 49016-0638     | 26      | 53065-0040-660 | 66      | 56054-2205 | 63      |
| 36001-0658-660 | 48      | 39192-0644     | 27      | 43058-1100     | 43      | 49016-0639     | 26      | 53065-0040-A5  | 66      | 56069-0301 | 61      |
| 36001-0658-739 | 48      | 39193-0054     | 14      | 43058-1100     | 45      | 49016-0642     | 53      | 53066-0581-MA  | 49      | 56069-0301 | 61      |
| 36001-0659-36P | 48      | 41009-0694     | 37      | 43078-0060     | 44      | 49016-0645     | 56      | 53066-0582-12Y | 49      | 56069-7822 | 62      |
| 36001-0659-45L | 48      | 41009-0695     | 37      | 43080-0130-DJ  | 43      | 49016-1044     | 42      | 54010-0614     | 51      | 56071-0695 | 59      |
| 36001-0659-660 | 48      | 41068-0618     | 38      | 43080-0131-DJ  | 43      | 49016-1103     | 44      | 54011-0618     | 51      | 56071-0774 | 59      |
| 36001-0659-739 | 48      | 41068-0619     | 39      | 43080-0156-DJ  | 45      | 49033-0034     | 18      | 54012-0646     | 51      | 56075-2279 | 63      |
| 36041-0030-36P | 52      | 41073-0706-QT  | 39      | 43082-0151     | 45      | 49034-0049     | 17      | 54012-0647     | 51      | 56075-2584 | 63      |
| 36041-0030-51P | 52      | 41073-0713-QT  | 38      | 43082-0168     | 43      | 49040-0756     | 19      | 55020-1961     | 31      | 56075-2585 | 63      |
| 36041-0030-660 | 52      | 41075-0007     | 37      | 43093-0006     | 27      | 49047-0023     | 12      | 55020-1962     | 30      | 56075-2586 | 63      |
| 36041-0030-A5  | 52      | 41075-0008     | 37      | 43094-0009     | 46      | 49054-0004     | 27      | 55020-1963     | 30      | 56075-2587 | 63      |
| 39007-0403     | 32      | 41075-0009     | 37      | 43095-0970     | 41      | 49056-0049     | 18      | 55020-1966     | 5       | 56075-2588 | 63      |
| 39061-0745     | 26      | 41080-0668     | 45      | 43095-0999     | 41      | 49063-1055     | 22      | 55020-1967     | 5       | 56075-2589 | 63      |
| 39062-0618     | 27      | 41080-0676-111 | 43      | 43095-1000     | 41      | 49065-0026     | 22      | 55028-0604-36P | 64      | 56075-2590 | 63      |
| 39062-0758     | 27      | 410AB0600      | 46      | 43095-1426     | 44      | 49069-0823     | 5       | 55028-0604-51P | 64      | 56075-2591 | 63      |
| 39062-0765     | 27      | 411AA0600      | 41      | 43095-1432     | 44      | 49078-0073     | 6       | 55028-0604-660 | 64      | 56075-3799 | 62      |
| 39062-0785     | 27      | 411AA1000      | 69      | 43095-1494     | 44      | 49078-0743     | 6       | 55028-0604-A5  | 64      | 56075-3800 | 62      |
| 39062-0786     | 27      | 42033-0570     | 39      | 44008-0062-499 | 47      | 49085-0006     | 26      | 55028-0605     | 64      | 56075-3801 | 62      |
| 39062-1208     | 27      | 42036-0050     | 45      | 44013-0292     | 47      | 49091-0001     | 41      | 55028-0606     | 64      | 56075-3802 | 62      |
| 39110-0033     | 13      | 42036-0803     | 31      | 44013-0319     | 47      | 49091-0001     | 44      | 55028-0608     | 64      | 56075-3803 | 62      |
| 39111-0311     | 32      | 42036-1251     | 39      | 44018-0003     | 47      | 49118-0941     | 7       | 55028-0609-739 | 17      | 56075-3804 | 62      |
| 39156-2122     | 66      | 42036-1342     | 32      | 44023-0139     | 47      | 49118-0942     | 7       | 55028-0610-739 | 17      | 56075-3805 | 62      |
| 39156-2123     | 69      | 42041-0158     | 39      | 44026-0208     | 47      | 49133-5273-660 | 65      | 55028-0656-36P | 64      | 56075-3806 | 62      |
| 39156-2124     | 69      | 42045-018      | 39      | 44037-0167-18R | 47      | 49133-5274-660 | 65      | 55028-0656-45L | 64      | 56075-3807 | 61      |
| 39156-2129     | 20      | 43001-0749     | 40      | 44039-0167-18R | 47      | 49133-5367-660 | 65      | 55028-0656-739 | 64      | 56075-3808 | 61      |
| 39156-2130     | 5       | 43010-0020     | 44      | 44041-040      | 47      | 49133-5368-660 | 65      | 55028-0656-A5  | 64      | 56075-3809 | 61      |
| 39156-2131     | 5       | 43015-0588     | 42      | 44065-0042     | 47      | 49133-5369-660 | 65      | 550AA2015      | 44      | 56075-3810 | 61      |
| 39156-2146     | 56      | 43015-0650     | 44      | 44065-1114     | 47      | 49133-5370-660 | 65      | 550AA4040      | 39      | 56075-3811 | 61      |
| 39156-2147     | 48      | 43020-0008     | 42      | 44071-1222-58Z | 47      | 49133-5371-739 | 65      | 551A0408       | 22      | 56075-3812 | 61      |

**'18 ZR900 BJJ****Numerical Parts Index**

| Part No.   | Fig No. | Part No.   | Fig No. | Part No.   | Fig No. | Part No.   | Fig No. | Part No.   | Fig No. | Part No.   | Fig No. |
|------------|---------|------------|---------|------------|---------|------------|---------|------------|---------|------------|---------|
| 56075-3813 | 61      | 92015-1311 | 8       | 92037-010  | 48      | 92049-0131 | 28      | 92066-0836 | 14      | 92139-0218 | 8       |
| 56075-3814 | 61      | 92015-1367 | 21      | 92037-1124 | 18      | 92049-0132 | 31      | 92069-0053 | 53      | 92139-0219 | 8       |
| 56075-3815 | 60      | 92015-1367 | 73      | 92037-147  | 21      | 92049-0137 | 28      | 92069-0090 | 55      | 92139-0280 | 11      |
| 56075-3816 | 60      | 92015-1476 | 25      | 92037-147  | 27      | 92049-0140 | 39      | 92069-1016 | 53      | 92139-0281 | 11      |
| 56075-3817 | 60      | 92015-1487 | 5       | 92037-1505 | 27      | 92049-0798 | 22      | 92069-1016 | 54      | 92140-0008 | 33      |
| 56075-3818 | 60      | 92015-1528 | 42      | 92037-1712 | 4       | 92049-1223 | 32      | 92070-0014 | 24      | 92143-1379 | 46      |
| 56075-3819 | 60      | 92015-1531 | 66      | 92037-2116 | 21      | 92049-1287 | 39      | 92071-0024 | 25      | 92143-1595 | 13      |
| 56075-3820 | 60      | 92015-1555 | 10      | 92038-1060 | 23      | 92049-1349 | 6       | 92071-0038 | 49      | 92144-1467 | 46      |
| 56075-3821 | 60      | 92015-1671 | 23      | 92039-0014 | 56      | 92049-1380 | 31      | 92071-0762 | 65      | 92144-1523 | 13      |
| 56075-3822 | 60      | 92015-1700 | 65      | 92039-0068 | 65      | 92049-1448 | 43      | 92072-1414 | 56      | 92145-0184 | 43      |
| 57001-1752 | 60      | 92015-1757 | 50      | 92039-0086 | 35      | 92049-1449 | 45      | 92075-1067 | 30      | 92145-0493 | 45      |
| 57001-1752 | 61      | 92015-1757 | 69      | 92039-0098 | 71      | 92049-1450 | 45      | 92075-1123 | 26      | 92145-0562 | 36      |
| 57001-1752 | 62      | 92015-1795 | 47      | 92039-1231 | 34      | 92049-1474 | 14      | 92075-1409 | 30      | 92145-0723 | 33      |
| 57001-1752 | 63      | 92015-1962 | 46      | 92039-1289 | 26      | 92049-1475 | 16      | 92075-1446 | 66      | 92145-0893 | 40      |
| 59026-0043 | 24      | 92022-077  | 22      | 92041-1060 | 46      | 92049-1520 | 14      | 92075-1564 | 57      | 92145-0946 | 57      |
| 59051-0762 | 25      | 92022-1088 | 46      | 92042-007  | 1       | 92049-2204 | 9       | 92075-161  | 65      | 92145-1122 | 13      |
| 59071-0022 | 18      | 92022-1093 | 30      | 92042-007  | 16      | 92055-0016 | 20      | 92075-1634 | 17      | 92145-1319 | 33      |
| 59256-0555 | 22      | 92022-1116 | 10      | 92042-030  | 22      | 92055-0021 | 27      | 92075-1912 | 20      | 92145-1745 | 10      |
| 59502-0614 | 26      | 92022-112  | 11      | 92043-0137 | 45      | 92055-0114 | 27      | 92075-1927 | 66      | 92145-1769 | 10      |
| 600A0500   | 11      | 92022-1282 | 40      | 92043-0200 | 33      | 92055-0136 | 25      | 92075-1964 | 64      | 92150-1019 | 14      |
| 601B6205UU | 39      | 92022-1298 | 47      | 92043-0820 | 45      | 92055-0145 | 47      | 92075-277  | 41      | 92150-1019 | 33      |
| 610A0406   | 12      | 92022-1521 | 17      | 92043-0904 | 44      | 92055-0199 | 16      | 92081-1708 | 13      | 92150-1125 | 32      |
| 610A0410   | 9       | 92022-1628 | 13      | 92043-1037 | 14      | 92055-0739 | 27      | 92092-1058 | 32      | 92150-1154 | 17      |
| 670B2020   | 16      | 92022-1654 | 65      | 92043-1262 | 22      | 92055-0741 | 44      | 92092-1081 | 5       | 92150-1216 | 8       |
| 670D1505   | 14      | 92022-1868 | 10      | 92043-1263 | 17      | 92055-0761 | 18      | 92092-1087 | 5       | 92150-1251 | 15      |
| 670D1509   | 7       | 92022-263  | 54      | 92043-1263 | 22      | 92055-0785 | 2       | 92093-1030 | 48      | 92150-1483 | 15      |
| 670D2014   | 17      | 92022-304  | 3       | 92043-1264 | 1       | 92055-0831 | 27      | 92093-1472 | 47      | 92150-1487 | 29      |
| 670D2014   | 7       | 92022-326  | 40      | 92043-1264 | 14      | 92055-086  | 7       | 92104-0004 | 58      | 92150-1794 | 15      |
| 670E5075   | 19      | 92025-1137 | 10      | 92043-1594 | 33      | 92055-0873 | 30      | 92104-1064 | 58      | 92150-1837 | 44      |
| 671B2560   | 39      | 92026-0045 | 47      | 92043-1690 | 14      | 92055-0884 | 69      | 92104-2068 | 58      | 92150-1891 | 26      |
| 92001-1905 | 33      | 92026-0082 | 9       | 92043-4009 | 2       | 92055-0885 | 69      | 92106-0004 | 58      | 92151-1135 | 16      |
| 92002-1154 | 22      | 92026-022  | 10      | 92045-0003 | 11      | 92055-1020 | 21      | 92107-0019 | 58      | 92151-1149 | 31      |
| 92002-1322 | 42      | 92026-0837 | 47      | 92045-0017 | 31      | 92055-1276 | 25      | 92110-0057 | 58      | 92151-1225 | 17      |
| 92002-1323 | 42      | 92026-1497 | 10      | 92045-0820 | 38      | 92055-1339 | 14      | 92110-0064 | 58      | 92151-1344 | 3       |
| 92002-1796 | 16      | 92027-1045 | 57      | 92045-0821 | 39      | 92055-1370 | 25      | 92110-0065 | 58      | 92151-1539 | 15      |
| 92004-0048 | 39      | 92027-1168 | 49      | 92045-1045 | 12      | 92055-1503 | 22      | 92110-0564 | 58      | 92151-1654 | 17      |
| 92004-0050 | 1       | 92027-1651 | 41      | 92045-1384 | 28      | 92055-1536 | 1       | 92110-0567 | 58      | 92151-1654 | 30      |
| 92005-0826 | 1       | 92027-1920 | 53      | 92046-0008 | 31      | 92055-1571 | 22      | 92110-1015 | 58      | 92151-1764 | 27      |
| 92005-0842 | 27      | 92028-1282 | 40      | 92046-0034 | 16      | 92055-2187 | 18      | 92111-0008 | 58      | 92151-1829 | 7       |
| 92005-0846 | 27      | 92028-1739 | 11      | 92046-0043 | 14      | 92055-3018 | 22      | 92112-0007 | 58      | 92151-1873 | 16      |
| 92005-1238 | 14      | 92028-1915 | 11      | 92046-1052 | 10      | 92057-0202 | 7       | 92127-003  | 58      | 92151-1915 | 29      |
| 92005-1380 | 18      | 92033-0079 | 44      | 92046-1219 | 11      | 92057-0672 | 39      | 92139-0023 | 13      | 92151-1930 | 25      |
| 92009-1134 | 46      | 92033-015  | 11      | 92046-1263 | 10      | 92058-0041 | 39      | 92139-0032 | 8       | 92151-1930 | 7       |
| 92009-1391 | 50      | 92033-026  | 11      | 92046-1266 | 9       | 92062-0040 | 14      | 92139-0033 | 8       | 92151-1930 | 9       |
| 92009-1984 | 20      | 92033-1036 | 47      | 92046-1273 | 32      | 92062-0046 | 14      | 92139-0034 | 8       | 92151-1997 | 27      |
| 92009-1984 | 35      | 92033-1041 | 31      | 92046-1303 | 11      | 92065-097  | 17      | 92139-0067 | 10      | 92152-0237 | 5       |
| 92009-3845 | 57      | 92033-1043 | 39      | 92048-0016 | 11      | 92066-0032 | 47      | 92139-0122 | 8       | 92152-0250 | 66      |
| 92015-1180 | 29      | 92033-1054 | 3       | 92048-0018 | 25      | 92066-0071 | 28      | 92139-0123 | 8       | 92152-0547 | 4       |
| 92015-1191 | 46      | 92033-1186 | 44      | 92049-0073 | 47      | 92066-0079 | 17      | 92139-0124 | 8       | 92152-0604 | 50      |
| 92015-1197 | 46      | 92033-1249 | 11      | 92049-0130 | 38      | 92066-0832 | 1       | 92139-0217 | 8       | 92152-0667 | 26      |



# '18 ZR900 BJJ

# Numerical Parts Index

| Part No.   | Fig No. | Part No.   | Fig No. | Part No.   | Fig No. | Part No.   | Fig No. | Part No.   | Fig No. | Part No.   | Fig No. |
|------------|---------|------------|---------|------------|---------|------------|---------|------------|---------|------------|---------|
| 92152-1167 | 7       | 92153-1779 | 2       | 92154-1788 | 69      | 92161-0070 | 22      | 92172-0334 | 25      | 92180-1028 | 6       |
| 92152-1383 | 13      | 92153-1826 | 45      | 92154-1838 | 13      | 92161-0117 | 57      | 92172-0343 | 54      | 92180-1030 | 6       |
| 92152-1562 | 20      | 92153-1837 | 5       | 92154-1850 | 27      | 92161-0118 | 57      | 92172-0427 | 54      | 92180-1032 | 6       |
| 92152-1562 | 54      | 92153-1850 | 25      | 92154-1887 | 14      | 92161-0204 | 5       | 92172-0483 | 4       | 92180-1034 | 6       |
| 92152-1583 | 39      | 92153-1866 | 25      | 92154-1888 | 16      | 92161-0342 | 39      | 92172-0823 | 21      | 92180-1036 | 6       |
| 92152-1585 | 39      | 92153-1931 | 69      | 92154-1893 | 73      | 92161-0365 | 48-1    | 92172-0828 | 18      | 92180-1038 | 6       |
| 92152-1602 | 5       | 92154-0026 | 50      | 92154-1942 | 7       | 92161-0588 | 48-1    | 92172-0864 | 48-1    | 92180-1040 | 6       |
| 92152-1847 | 48      | 92154-0205 | 1       | 92154-1962 | 31      | 92161-0673 | 18      | 92172-0864 | 54      | 92180-1042 | 6       |
| 92152-2135 | 71      | 92154-0209 | 48      | 92154-2090 | 13      | 92161-0685 | 48-1    | 92172-0864 | 56      | 92180-1044 | 6       |
| 92152-2227 | 38      | 92154-0209 | 52      | 92154-2096 | 12      | 92161-0776 | 54      | 92172-0864 | 57      | 92180-1046 | 6       |
| 92152-2248 | 36      | 92154-0209 | 64      | 92154-2154 | 41      | 92161-0864 | 30      | 92172-0864 | 64      | 92180-1048 | 6       |
| 92152-2249 | 38      | 92154-0210 | 48      | 92154-2154 | 57      | 92161-0885 | 64      | 92172-0864 | 65      | 92180-1050 | 6       |
| 92152-2250 | 39      | 92154-0210 | 71      | 92154-2204 | 32      | 92161-0930 | 72      | 92172-0864 | 66      | 92180-1052 | 6       |
| 92152-2252 | 48      | 92154-0287 | 17      | 92154-2207 | 57      | 92161-1055 | 9       | 92172-0901 | 16      | 92180-1054 | 6       |
| 92152-2263 | 11      | 92154-0299 | 14      | 92154-2250 | 69      | 92161-1084 | 66      | 92172-1117 | 55      | 92190-1253 | 4       |
| 92152-2268 | 69      | 92154-0313 | 29      | 92154-2251 | 29      | 92161-1228 | 5       | 92172-1159 | 65      | 92191-1551 | 18      |
| 92152-2272 | 69      | 92154-0351 | 2       | 92154-2252 | 29      | 92161-1300 | 13      | 92172-1194 | 52      | 92192-0843 | 4       |
| 92152-2273 | 69      | 92154-0372 | 15      | 92154-2334 | 30      | 92161-1367 | 64      | 92173-0284 | 5       | 92192-1349 | 18      |
| 92152-2274 | 57      | 92154-0403 | 27      | 92154-2335 | 19      | 92161-1369 | 54      | 92173-0736 | 21      | 92192-1446 | 18      |
| 92152-2280 | 30      | 92154-0413 | 9       | 92154-2340 | 5       | 92161-1432 | 30      | 92173-0736 | 56      | 92192-1447 | 18      |
| 92152-2287 | 30      | 92154-0440 | 46      | 92154-2355 | 56      | 92161-1468 | 48-1    | 92173-0736 | 71      | 92192-1617 | 18      |
| 92152-2306 | 73      | 92154-0477 | 12      | 92154-2355 | 57      | 92161-1475 | 5       | 92173-0861 | 48-1    | 92192-1688 | 48-1    |
| 92152-2334 | 69      | 92154-0477 | 23      | 92154-2360 | 23      | 92161-1490 | 47      | 92173-0861 | 56      | 92192-1690 | 21      |
| 92152-2335 | 69      | 92154-0484 | 14      | 92154-2638 | 1       | 92161-1685 | 67      | 92173-0868 | 41      | 92192-1691 | 21      |
| 92152-2339 | 52      | 92154-0505 | 57      | 92154-2639 | 15      | 92161-1789 | 71      | 92173-0868 | 51      | 92192-1692 | 4       |
| 92152-2342 | 48      | 92154-0745 | 35      | 92154-2640 | 15      | 92161-1867 | 49      | 92173-0927 | 4       | 92192-1693 | 4       |
| 92152-2354 | 30      | 92154-0774 | 41      | 92154-2650 | 23      | 92161-1867 | 72      | 92173-1022 | 56      | 92192-1779 | 21      |
| 92152-2379 | 31      | 92154-0774 | 56      | 92154-2652 | 16      | 92161-1870 | 20      | 92173-1201 | 22      | 92192-1802 | 18      |
| 92153-0406 | 1       | 92154-0784 | 42      | 92154-2660 | 34      | 92161-1913 | 49      | 92173-1321 | 16      | 92192-1803 | 18      |
| 92153-0446 | 13      | 92154-0784 | 45      | 92154-2667 | 35      | 92161-1917 | 54      | 92173-1360 | 27      | 92192-1804 | 18      |
| 92153-0474 | 28      | 92154-0840 | 29      | 92154-2667 | 56      | 92161-1969 | 49      | 92173-1429 | 56      | 92192-1805 | 18      |
| 92153-0506 | 47      | 92154-0844 | 43      | 92154-2667 | 65      | 92161-1970 | 49      | 92173-1600 | 34      | 92200-0006 | 48-1    |
| 92153-0549 | 24      | 92154-0844 | 45      | 92154-2669 | 69      | 92161-1971 | 49      | 92173-1601 | 34      | 92200-0006 | 64      |
| 92153-0574 | 53      | 92154-0856 | 5       | 92154-2673 | 26      | 92161-1976 | 67      | 92173-1613 | 41      | 92200-0006 | 71      |
| 92153-0627 | 41      | 92154-0917 | 71      | 92154-2678 | 30      | 92170-1060 | 4       | 92173-1613 | 44      | 92200-0043 | 33      |
| 92153-0627 | 44      | 92154-0918 | 30      | 92154-2682 | 54      | 92170-1091 | 44      | 92173-1634 | 41      | 92200-0085 | 47      |
| 92153-0628 | 41      | 92154-0935 | 40      | 92154-2683 | 46      | 92170-1493 | 27      | 92173-1637 | 45      | 92200-0115 | 15      |
| 92153-0649 | 47      | 92154-0987 | 5       | 92154-2685 | 44      | 92170-3749 | 18      | 92173-1638 | 45      | 92200-0174 | 13      |
| 92153-0656 | 1       | 92154-1050 | 41      | 92154-2738 | 5       | 92171-0290 | 17      | 92173-1640 | 44      | 92200-0228 | 11      |
| 92153-0802 | 36      | 92154-1055 | 44      | 92160-1162 | 4       | 92171-0316 | 56      | 92173-1663 | 27      | 92200-0265 | 13      |
| 92153-0816 | 65      | 92154-1116 | 10      | 92160-1167 | 48      | 92171-0534 | 17      | 92173-1705 | 41      | 92200-0284 | 54      |
| 92153-1045 | 15      | 92154-1138 | 41      | 92160-1167 | 50      | 92171-0652 | 56      | 92173-1724 | 10      | 92200-0369 | 23      |
| 92153-1089 | 43      | 92154-1138 | 44      | 92160-1167 | 53      | 92171-0729 | 1       | 92173-1768 | 44      | 92200-0386 | 25      |
| 92153-1093 | 43      | 92154-1192 | 5       | 92160-1513 | 72      | 92171-0782 | 51      | 92180-1014 | 6       | 92200-0410 | 22      |
| 92153-1094 | 43      | 92154-1225 | 25      | 92160-1613 | 17      | 92171-0817 | 44      | 92180-1016 | 6       | 92200-0520 | 11      |
| 92153-1505 | 13      | 92154-1281 | 5       | 92160-1613 | 30      | 92171-0818 | 41      | 92180-1018 | 6       | 92200-0521 | 11      |
| 92153-1527 | 67      | 92154-1292 | 42      | 92160-1613 | 48-1    | 92171-0926 | 56      | 92180-1020 | 6       | 92200-0556 | 15      |
| 92153-1588 | 27      | 92154-1421 | 30      | 92160-1613 | 50      | 92171-1283 | 20      | 92180-1022 | 6       | 92200-0753 | 28      |
| 92153-1625 | 47      | 92154-1421 | 48      | 92160-1613 | 53      | 92172-0183 | 46      | 92180-1024 | 6       | 92200-0766 | 73      |
| 92153-1637 | 15      | 92154-1429 | 26      | 92161-0037 | 46      | 92172-0320 | 42      | 92180-1026 | 6       | 92200-0780 | 57      |



|                              |    |                                |         |
|------------------------------|----|--------------------------------|---------|
| Accessory(Engine Cover Ring) | 68 | Fuel Pump                      | 19      |
| Accessory(Extended Flap)     | 73 | Fuel Tank                      | 48/48-1 |
| Accessory(High Seat)         | 72 | Gear Change Drum/Shift Fork(s) | 12      |
| Accessory(Large Meter Cover) | 71 | Gear Change Mechanism          | 13      |
| Accessory(Pads)              | 74 | Generator                      | 23      |
| Accessory(Radiator Screen)   | 67 | Handlebar                      | 46      |
| Accessory(Single Seat Cover) | 66 | Headlight(s)                   | 53      |
| Accessory(Slider)            | 69 | Ignition Switch                | 57      |
| Accessory(Tank Bag)          | 70 | Ignition System                | 24      |
| Air Cleaner                  | 4  | Labels                         | 59      |
| Balancer                     | 9  | Meter(s)                       | 50      |
| Brake Pedal                  | 40 | Muffler(s)                     | 5       |
| Brake Piping                 | 41 | Oil Pan                        | 17      |
| Cables                       | 51 | Oil Pump                       | 22      |
| Camshaft(s)/Tensioner        | 7  | Owner's Tools                  | 58      |
| Chassis Electrical Equipment | 56 | Radiator                       | 26      |
| Clutch                       | 10 | Rear Brake                     | 45      |
| Cowling                      | 64 | Rear Fender(s)                 | 35      |
| Crankcase                    | 14 | Rear Hub                       | 39      |
| Crankcase Bolt Pattern       | 15 | Rear Master Cylinder           | 44      |
| Crankshaft                   | 8  | Seat                           | 49      |
| Cylinder Head                | 1  | Shroud                         | 65      |
| Cylinder Head Cover          | 2  | Side Covers                    | 52      |
| Cylinder/Piston(s)           | 3  | Stand(s)                       | 36      |
| Decals(Ebony)                | 62 | Starter Motor                  | 25      |
| Decals(Gray)                 | 63 | Suspension/Shock Absorber      | 32      |
| Decals(Green)                | 60 | Swingarm                       | 31      |
| Decals(Red)                  | 61 | Taillight(s)                   | 54      |
| Engine Cover(s)              | 16 | Throttle                       | 18      |
| Engine Mount                 | 29 | Tires                          | 37      |
| Footrests                    | 33 | Transmission                   | 11      |
| Frame                        | 28 | Turn Signals                   | 55      |
| Frame Fittings               | 30 | Valve(s)                       | 6       |
| Front Brake                  | 43 | Water Pipe                     | 27      |
| Front Fender(s)              | 34 |                                |         |
| Front Fork                   | 47 |                                |         |
| Front Hub                    | 38 |                                |         |
| Front Master Cylinder        | 42 |                                |         |
| Fuel Evaporative System      | 21 |                                |         |
| Fuel Injection               | 20 |                                |         |

**Kawasaki Heavy Industries, Ltd.**  
Motorcycle & Engine Company

Part No. 99907-0003-01

©2017, Kawasaki Heavy Industries, LTD

**'18 ZR900 BJF(ID)**

**(Z900)**