



YAMAHA

2007

MOTORCYCLE

SERVICE MANUAL

Model : YZFR1W

4C8281972000 

EAS20040

**YZFR1W
SERVICE MANUAL
©2006 by Yamaha Motor Co., Ltd.
First edition, October 2006
All rights reserved.
Any reproduction or unauthorized use without
the written permission of Yamaha Motor Co.,
Ltd. is expressly prohibited.**

NOTICE

This manual was produced by the Yamaha Motor Company, Ltd. primarily for use by Yamaha dealers and their qualified mechanics. It is not possible to include all the knowledge of a mechanic in one manual. Therefore, anyone who uses this book to perform maintenance and repairs on Yamaha vehicles should have a basic understanding of mechanics and the techniques to repair these types of vehicles. Repair and maintenance work attempted by anyone without this knowledge is likely to render the vehicle unsafe and unfit for use.

This model has been designed and manufactured to perform within certain specifications in regard to performance and emissions. Proper service with the correct tools is necessary to ensure that the vehicle will operate as designed. If there is any question about a service procedure, it is imperative that you contact a Yamaha dealer for any service information changes that apply to this model. This policy is intended to provide the customer with the most satisfaction from his vehicle and to conform to federal environmental quality objectives.

Yamaha Motor Company, Ltd. is continually striving to improve all of its models. Modifications and significant changes in specifications or procedures will be forwarded to all authorized Yamaha dealers and will appear in future editions of this manual where applicable.

NOTE:

- This Service Manual contains information regarding periodic maintenance to the emission control system. Please read this material carefully.
- Designs and specifications are subject to change without notice.

IMPORTANT MANUAL INFORMATION

Particularly important information is distinguished in this manual by the following.



The Safety Alert Symbol means ATTENTION! BECOME ALERT! YOUR SAFETY IS INVOLVED!



Failure to follow WARNING instructions could result in severe injury or death to the vehicle operator, a bystander or a person checking or repairing the vehicle.

CAUTION:

A CAUTION indicates special precautions that must be taken to avoid damage to the vehicle.

NOTE:

A NOTE provides key information to make procedures easier or clearer.

HOW TO USE THIS MANUAL

This manual is intended as a handy, easy-to-read reference book for the mechanic. Comprehensive explanations of all installation, removal, disassembly, assembly, repair and check procedures are laid out with the individual steps in sequential order.

- The manual is divided into chapters and each chapter is divided into sections. The current section title is shown at the top of each page “1”.
- Sub-section titles appear in smaller print than the section title “2”.
- To help identify parts and clarify procedure steps, there are exploded diagrams at the start of each removal and disassembly section “3”.
- Numbers are given in the order of the jobs in the exploded diagram. A number indicates a disassembly step “4”.
- Symbols indicate parts to be lubricated or replaced “5”.
- Refer to “SYMBOLS”.
- A job instruction chart accompanies the exploded diagram, providing the order of jobs, names of parts, notes in jobs, etc “6”.
- Jobs requiring more information (such as special tools and technical data) are described sequentially “7”.

1
↓
CLUTCH

EAS20090
CLUTCH

Removing the clutch cover

12 Nm (1.2 m·kg, 8.7 ft·lb)

7 Nm (0.7 m·kg, 5.1 ft·lb)

12 Nm (1.2 m·kg, 8.7 ft·lb)

Order	Job/Parts to remove	Qty	Remarks
	Right side cowling		Refer to "GENERAL CHASSIS" on page 4-1.
	Bottom cowlings		Refer to "GENERAL CHASSIS" on page 4-1.
	Engine oil		Refer to "CHANGING THE ENGINE OIL" on page 3-12.
1	Cover	1	
2	Clutch cable	1	Disconnect.
3	Clutch cover	1	
4	Clutch cover gasket	1	
5	Domed pin	2	
6	Oil filler cap	1	
			For installation, reverse the removal procedure.

5-43

CLUTCH

Clutch plate "2"

Part No.	Thickness	STD
5V-16325-00	2.0 mm (0.079 in)	
4B1-16325-00	2.3 mm (0.091 in)	

NOTE:
When adjusting the clutch assembly width (by replacing the clutch plate(s)), be sure to replace the clutch plate "1" fast.
After replacing the clutch plate "1", if specifications cannot be met, replace the clutch plate "2".

EAS20090
CHECKING THE CLUTCH HOUSING

1. Check:
• Clutch housing dogs
Damage/pitting/wear → Deburr the clutch housing dogs or replace the clutch housing.

NOTE:
Fitting on the clutch housing dogs will cause erratic clutch operation.

2. Check:
• Bearing
Damage/wear → Replace the bearing and clutch housing.

EAS20090
CHECKING THE CLUTCH BOSS

1. Check:
• Clutch boss splines
Damage/pitting/wear → Replace the clutch boss.

NOTE:
Fitting on the clutch boss splines will cause erratic clutch operation.

2. Check:
• Clutch boss
Cracks/damage → Replace.

Clutch spring free length
43.80 mm (1.72 in)
Limit
41.61 mm (1.64 in)

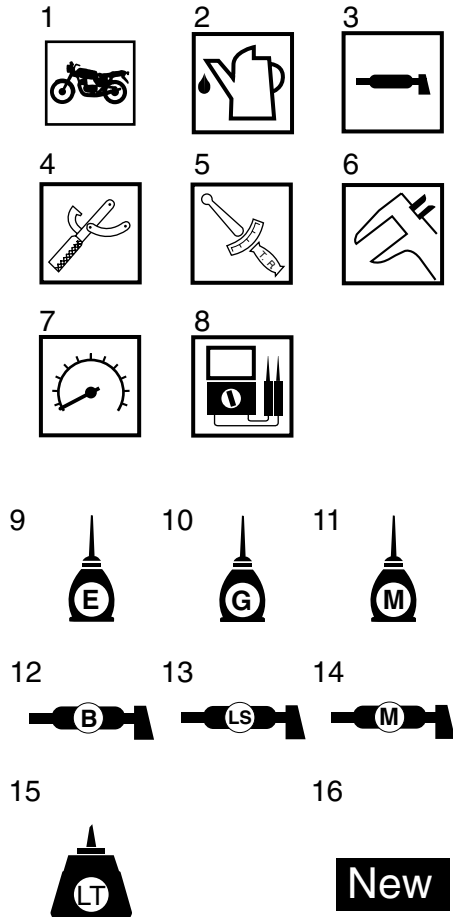
5-48

SYMBOLS

The following symbols are used in this manual for easier understanding.

NOTE:

The following symbols are not relevant to every vehicle.



1. Serviceable with engine mounted
2. Filling fluid
3. Lubricant
4. Special tool
5. Tightening torque
6. Wear limit, clearance
7. Engine speed
8. Electrical data
9. Engine oil
10. Gear oil
11. Molybdenum-disulfide oil
12. Wheel-bearing grease
13. Lithium-soap-based grease
14. Molybdenum-disulfide grease
15. Apply locking agent (LOCTITE®)

GENERAL INFORMATION

IDENTIFICATION	1-1
VEHICLE IDENTIFICATION NUMBER.....	1-1
MODEL LABEL	1-1
FEATURES	1-2
FI SYSTEM.....	1-3
IMPORTANT INFORMATION	1-12
PREPARATION FOR REMOVAL AND DISASSEMBLY	1-12
REPLACEMENT PARTS.....	1-12
GASKETS, OIL SEALS AND O-RINGS.....	1-12
LOCK WASHERS/PLATES AND COTTER PINS	1-12
BEARINGS AND OIL SEALS	1-13
CIRCLIPS	1-13
CHECKING THE CONNECTIONS	1-14
SPECIAL TOOLS	1-15

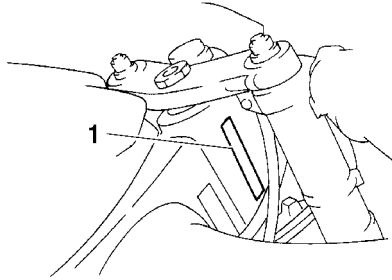
EAS20130

IDENTIFICATION

EAS20140

VEHICLE IDENTIFICATION NUMBER

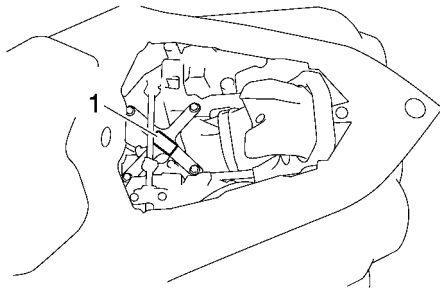
The vehicle identification number "1" is stamped into the right side of the steering head pipe.



EAS20150

MODEL LABEL

The model label "1" is affixed to the frame. This information will be needed to order spare parts.



EAS20170

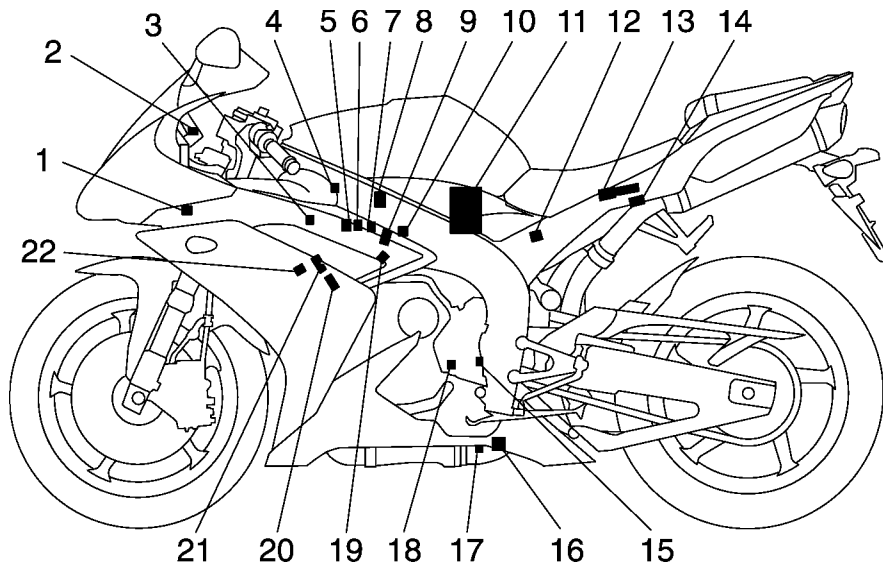
FEATURES

OUTLINE OF THE FI SYSTEM

The main function of a fuel supply system is to provide fuel to the combustion chamber at the optimum air-fuel ratio in accordance with the engine operating conditions and the atmospheric temperature. In the conventional carburetor system, the air-fuel ratio of the mixture that is supplied to the combustion chamber is created by the volume of the intake air and the fuel that is metered by the jet used in the respective carburetor.

Despite the same volume of intake air, the fuel volume requirement varies by the engine operating conditions, such as acceleration, deceleration, or operating under a heavy load. Carburetors that meter the fuel through the use of jets have been provided with various auxiliary devices, so that an optimum air-fuel ratio can be achieved to accommodate the constant changes in the operating conditions of the engine.

As the requirements for the engine to deliver more performance and cleaner exhaust gases increase, it becomes necessary to control the air-fuel ratio in a more precise and finely tuned manner. To accommodate this need, this model has adopted an electronically controlled fuel injection (FI) system, in place of the conventional carburetor system. This system can achieve an optimum air-fuel ratio required by the engine at all times by using a microprocessor that regulates the fuel injection volume according to the engine operating conditions detected by various sensors. The adoption of the FI system has resulted in a highly precise fuel supply, improved engine response, better fuel economy, and reduced exhaust emissions.



- | | |
|---|------------------------------------|
| 1. Intake air temperature sensor | 14. Starting circuit cut-off relay |
| 2. Engine trouble warning light | 15. Speed sensor |
| 3. Air induction system solenoid | 16. EXUP servo motor |
| 4. Atmospheric pressure sensor | 17. O ₂ sensor |
| 5. Throttle position sensor (for throttle cable pulley) | 18. Crankshaft position sensor |
| 6. Throttle servo motor | 19. Coolant temperature sensor |
| 7. Throttle position sensor (for throttle valves) | 20. Spark plug |
| 8. Intake funnel servo motor | 21. Ignition coil |
| 9. Injector | 22. Cylinder identification sensor |
| 10. Intake air pressure sensor | |
| 11. Fuel pump | |
| 12. Lean angle sensor | |
| 13. ECU (engine control unit) | |

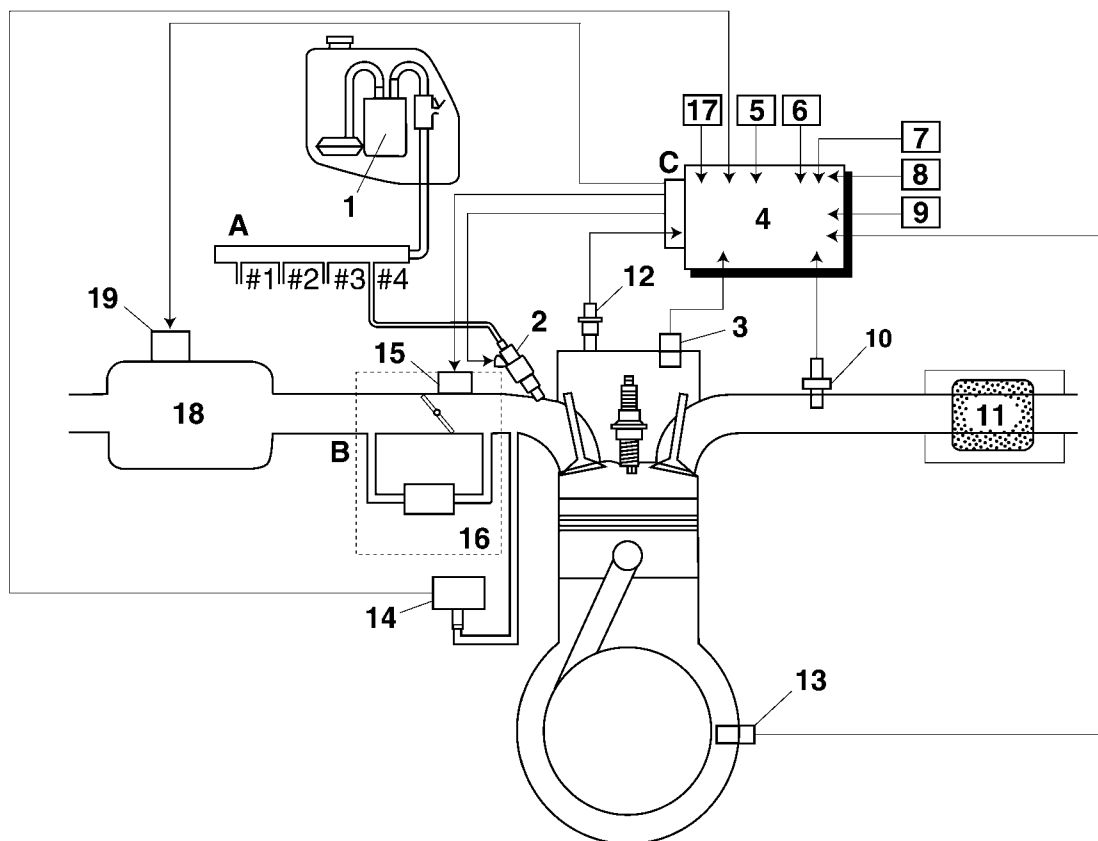
EAS4C81010

FI SYSTEM

The fuel pump delivers fuel to the fuel injector via the fuel filter. The pressure regulator maintains the fuel pressure that is applied to the fuel injector at only 324 kPa (3.24 kg/cm², 46.1 psi). Accordingly, when the energizing signal from the ECU energizes the fuel injector, the fuel passage opens, causing the fuel to be injected into the intake manifold only during the time the passage remain open.

Therefore, the longer the length of time the fuel injector is energized (injection duration), the greater the volume of fuel that is supplied. Conversely, the shorter the length of time the fuel injector is energized (injection duration), the lesser the volume of fuel that is supplied.

The injection duration and the injection timing are controlled by the ECU. Signals that are input from the throttle position sensor (for throttle valves), throttle position sensor (for throttle cable pulley), crankshaft position sensor, intake air pressure sensor, intake air temperature sensor, coolant temperature sensor, atmospheric pressure sensor, cylinder identification sensor, lean angle sensor, speed sensor and O₂ sensor enable the ECU to determine the injection duration. The injection timing is determined through the signals from the crankshaft position sensor. As a result, the volume of fuel that is required by the engine can be supplied at all times in accordance with the driving conditions.



- | | |
|---|---------------------------------|
| 1. Fuel pump | 12. Coolant temperature sensor |
| 2. Injector | 13. Crankshaft position sensor |
| 3. Cylinder identification sensor | 14. Intake air pressure sensor |
| 4. ECU (engine control unit) | 15. Throttle servo motor |
| 5. Throttle position sensor (for throttle valves) | 16. Throttle body |
| 6. Throttle position sensor (for throttle cable pulley) | 17. Atmospheric pressure sensor |
| 7. Speed sensor | 18. Air filter case |
| 8. Intake air temperature sensor | 19. Intake funnel servo motor |
| 9. Lean angle sensor | A. Fuel system |
| 10. O ₂ sensor | B. Air system |
| 11. Catalytic converter | C. Control system |

EAS4C81011

YCC-T (Yamaha Chip Controlled Throttle) YCC-I (Yamaha Chip Controlled Intake)

Mechanism characteristics

Yamaha developed the YCC-T and YCC-I system employing the most advanced electronic control technologies. Electronic control throttle systems have been used on automobiles, but Yamaha has developed a faster, more compact system specifically for the needs of a sports motorcycle. The Yamaha-developed system has a high-speed calculating capacity that produces computations of running conditions every 1/1000th of a second.

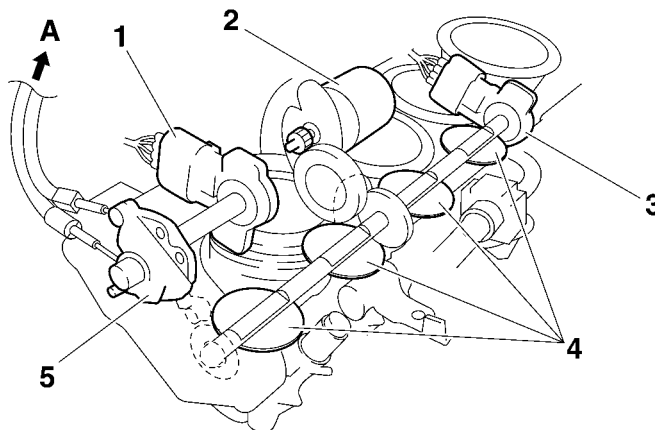
The YCC-T system is designed to respond to the throttle action of the rider by having the ECU instantaneously calculate the ideal throttle valve opening and generate signals to operate the motor-driven throttle valves and thus actively control the intake air volume.

The ECU contains three CPUs with a capacity about five times that of conventional units, making it possible for the system to respond extremely quickly to the slightest adjustments made by the rider. In particular, optimized control of the throttle valve opening provides the optimum volume of intake air for easy-to-use torque, even in a high-revving engine.

The YCC-I system calculates the value from the engine revolution number and throttle opening rate, activates the intake air funnel with the electronic control motor drive to control the intake pipe length in order to gain the high power output in all revolution ranges from low speeds to high speeds.

Aims and advantages of using YCC-T system

- Increased engine power
By shortening the air intake path, higher engine speed is possible → Increased engine power.
- Improved driveability
Air intake volume is controlled according to the operating conditions → Improved throttle response to meet engine requirement.
Driving force is controlled at the optimal level according to the transmission gear position and engine speed → Improved throttle control.
- Engine braking control
Due to the throttle control, optimal engine braking is made possible.
- Simplified idle speed control (ISC) mechanism
The bypass mechanism and ISC actuator are eliminated → A simple mechanism is used to maintain a steady idle speed.
- Reduced weight
Compared to using a sub-throttle mechanism, weight is reduced.



1. Throttle position sensor (for throttle cable pulley)
2. Throttle servo motor
3. Throttle position sensor (for throttle valves)
4. Throttle valves
5. Throttle cable pulley with linkage guard

A. To throttle grip

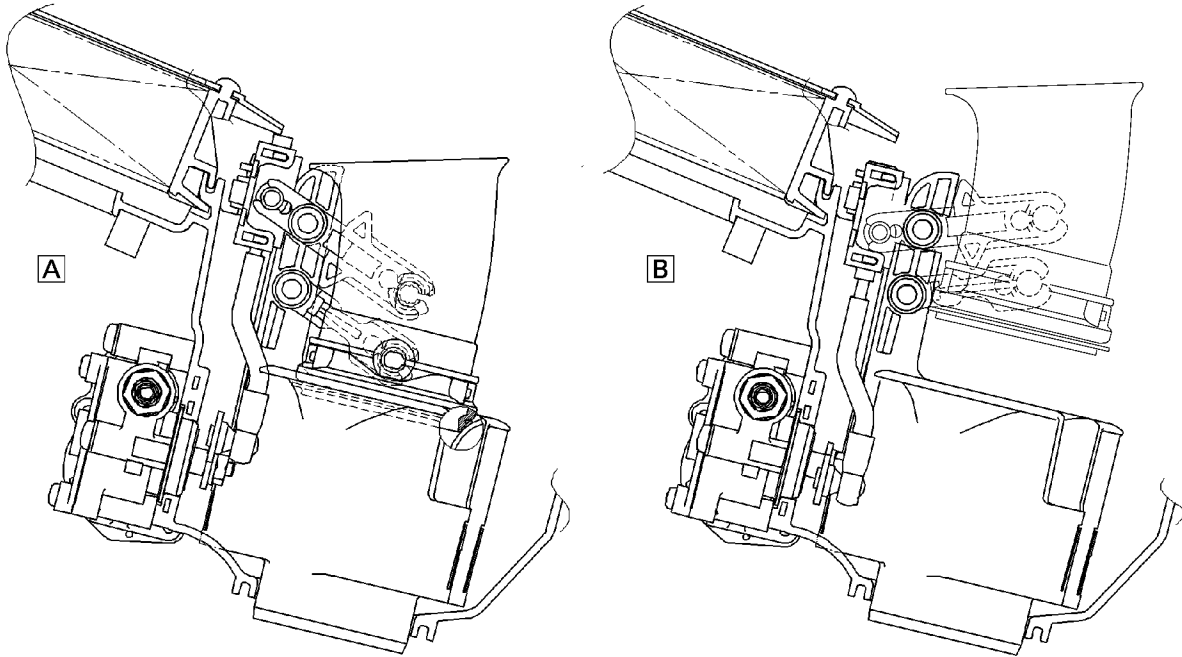
Aims and advantages of using YCC-I system

- Improvement of the engine power characteristics

The high power design in all ranges is now provided by having both two features of the short intake function to ensure the power at the high speed revolution of engine, and the long intake function to ensure the power in the practical use range.

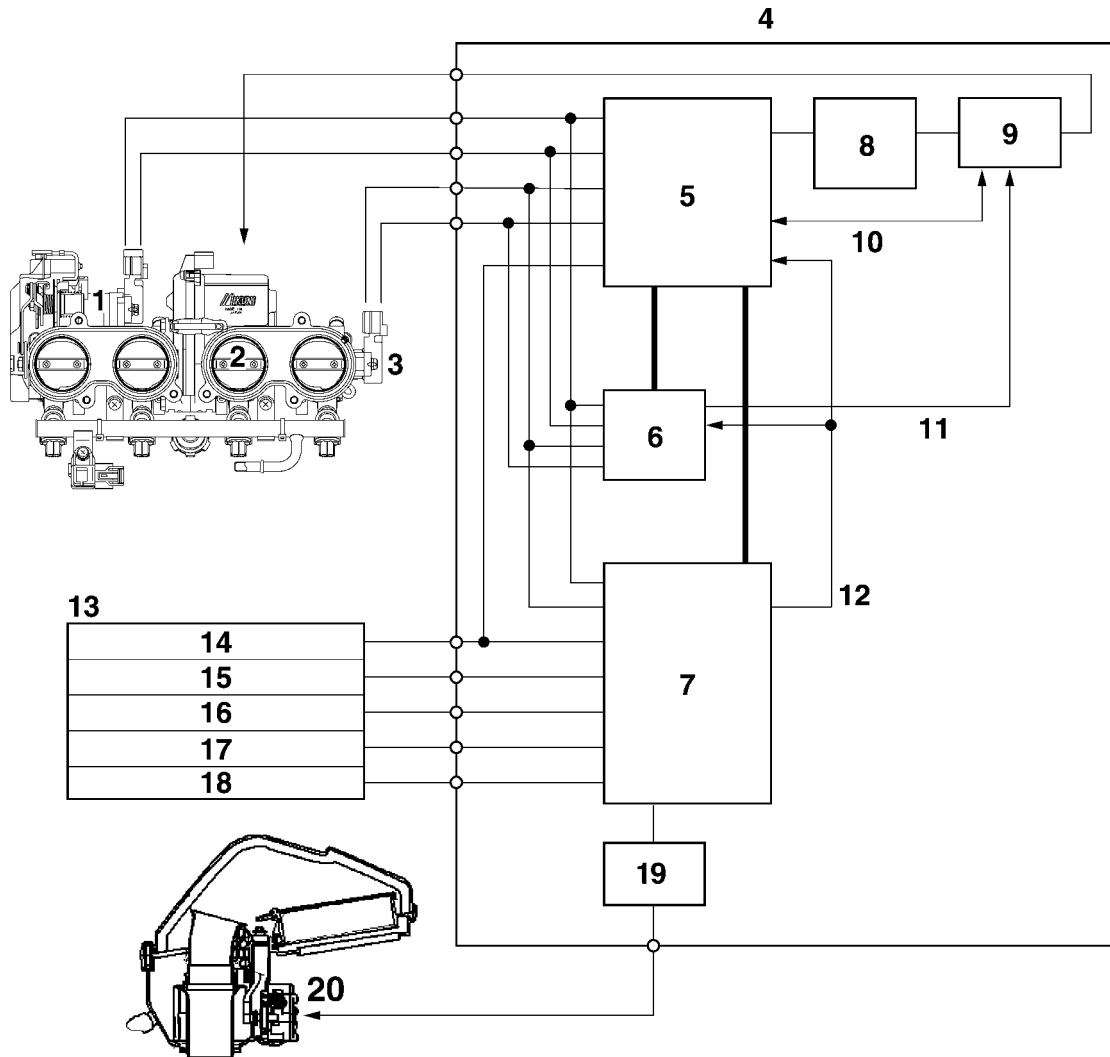
- Intake pipe length switching control using the motor

The intake pipe length switching operation in a minute time is now available by means of the motor drive using the electronic control. The smooth power characteristic is provided, which does not let an operator feel the switching action by the optimization of its switching revolution number and the most suitable application of engine at the time of changing the revolution.



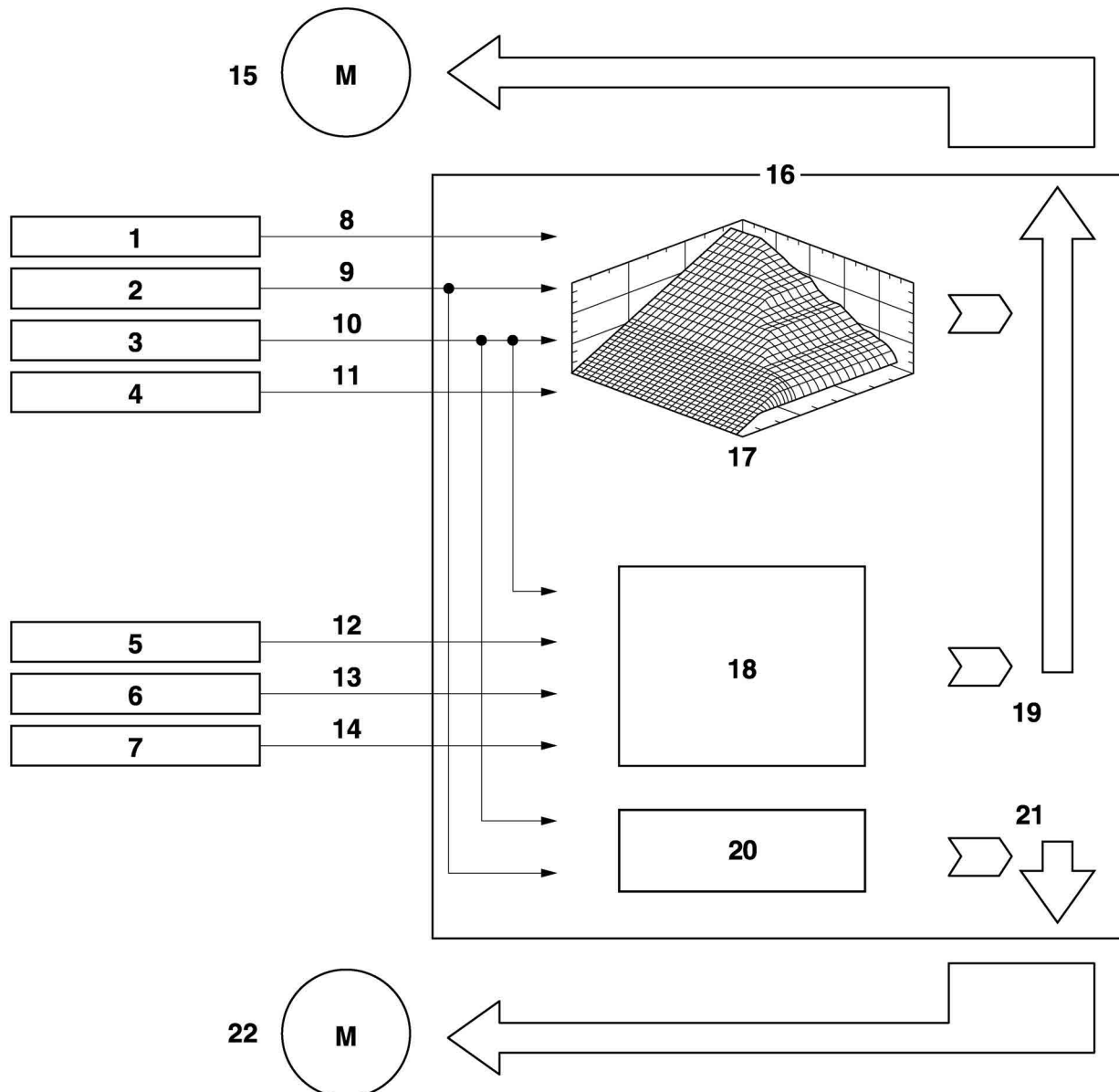
- A. Down position (long intake)
(Low rpm to Mid rpm)
- B. Up position (short intake)
(High rpm)

YCC-T/YCC-I system outline



- | | |
|---|---|
| <ol style="list-style-type: none"> 1. Throttle position sensor (for throttle cable pulley) 2. Throttle servo motor 3. Throttle position sensor (for throttle valves) 4. ECU (engine control unit) 5. ETV main CPU (32 bit) 6. ETV sub CPU (16 bit) 7. FI CPU (32 bit) 8. Throttle servo motor driver 9. Throttle servo motor driver operation sensing/shut off circuit 10. Throttle servo motor driver operation sensing feedback/emergency stop 11. Emergency stop 12. Engine revolution (pulse signal) 13. Sensor input 14. Neutral switch 15. Crankshaft position sensor 16. Speed sensor 17. Coolant temperature sensor 18. Atmospheric pressure sensor | <ol style="list-style-type: none"> 19. Intake funnel servo motor driver 20. Intake funnel servo motor |
|---|---|

YCC-T/YCC-I control outline



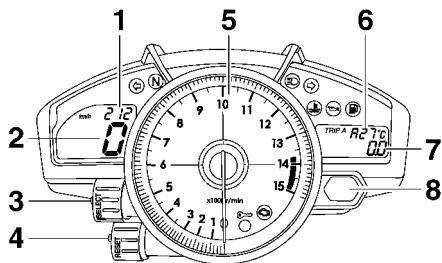
1. Throttle position sensor (for throttle cable pulley)
2. Throttle position sensor (for throttle valves)
3. Crankshaft position sensor
4. Speed sensor
5. Coolant temperature sensor
6. Neutral switch
7. Atmospheric pressure sensor
8. Accelerator position (two signals)
9. Throttle position (two signals)
10. Engine revolution
11. Vehicle speed
12. Coolant temperature
13. Neutral/In gear
14. Atmospheric pressure

15. Throttle servo motor
16. ECU (engine control unit)
17. Base map
18. Idle speed control
19. Calculated throttle valve opening angle
20. Base map
21. Air funnel position (Calculation value)
22. Intake funnel servo motor

EAS4C81024

INSTRUMENT FUNCTIONS

Multi-function meter unit



1. Clock
2. Speedometer
3. "SELECT" button
4. "RESET" button
5. Tachometer
6. Coolant temperature display/air intake temperature display
7. Odometer/tripmeters/fuel reserve tripmeter/ stopwatch
8. Shift timing indicator light

EWA4C81008

WARNING

Be sure to stop the vehicle before making any setting changes to the multi-function meter unit.

The multi-function meter unit is equipped with the following:

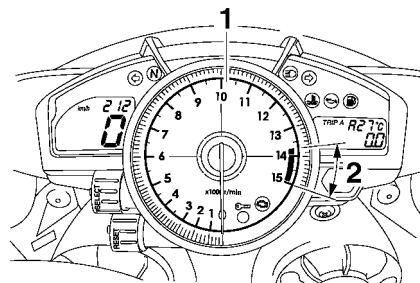
- a speedometer (which shows the riding speed)
- a tachometer (which shows engine speed)
- an odometer (which shows the total distance traveled)
- two tripmeters (which show the distance traveled since they were last set to zero)
- a fuel reserve tripmeter (which shows the distance traveled since the fuel level warning light came on)
- a clock
- a coolant temperature display
- an air intake temperature display
- a self-diagnosis device
- a display brightness and shift timing indicator light control mode

NOTE:

- Be sure to turn the key to "ON" before using the "SELECT" and "RESET" buttons.

- To switch the speedometer and odometer/ tripmeter displays between kilometers and miles, press the "SELECT" button for at least one second.

Tachometer



1. Tachometer
2. Tachometer red zone

The electric tachometer allows the rider to monitor the engine speed and keep it within the ideal power range.

When the key is turned to "ON", the tachometer needle will sweep once across the r/min range and then return to zero r/min in order to test the electrical circuit.

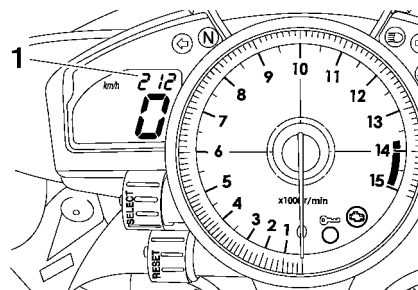
ECA4C81017

CAUTION:

Do not operate the engine in the tachometer red zone.

Red zone: 13750 r/min and above

Clock mode



1. Clock

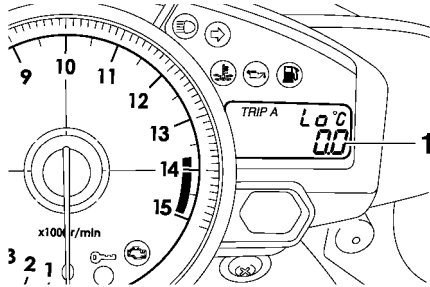
Turn the key to "ON".

To set the clock

1. Push the "SELECT" button and "RESET" button together for at least two seconds.
2. When the hour digits start flashing, push the "RESET" button to set the hours.
3. Push the "SELECT" button, and the minute digits will start flashing.

4. Push the “RESET” button to set the minutes.
5. Push the “SELECT” button and then release it to start the clock.

Odometer, tripmeter, and stopwatch modes



1. Odometer/tripmeter/fuel reserve tripmeter

Push the “SELECT” button to switch the display between the odometer mode “ODO” and the tripmeter modes “TRIP A” and “TRIP B” and the stopwatch mode in the following order: TRIP A → TRIP B → ODO → Stopwatch → TRIP A

If the fuel level warning light comes on, the odometer display will automatically change to the fuel reserve tripmeter mode “F-TRIP” and start counting the distance traveled from that point. In that case, push the “SELECT” button to switch the display between the various tripmeter, odometer, and stopwatch modes in the following order:

F-TRIP → Stopwatch → TRIP A → TRIP B → ODO → F-TRIP

To reset a tripmeter, select it by pushing the “SELECT” button, and then push the “RESET” button for at least one second. If you do not reset the fuel reserve tripmeter manually, it will reset itself automatically and the display will return to the prior mode after refueling and traveling 5 km (3 mi).

Stopwatch mode

To change the display to the stopwatch mode, select it by pushing the “SELECT” button. (The stopwatch digits will start flashing.) Release the “SELECT” button, and then push it again for a few seconds until the stopwatch digits stop flashing.

Standard measurement

1. Push the “RESET” button to start the stopwatch.
2. Push the “SELECT” button to stop the stopwatch.

3. Push the “SELECT” button again to reset the stopwatch.

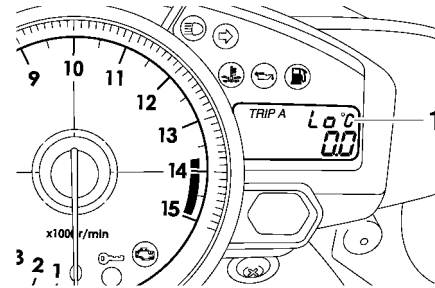
Split-time measurement

1. Push the “RESET” button to start the stopwatch.
2. Push the “RESET” button or start switch “⊖” to measure split-times. (The colon “:” will start flashing.)
3. Push the “RESET” button or start switch “⊖” to measure split-times. (The colon “:” will start flashing.)
4. Push the “SELECT” button to reset the stopwatch.

NOTE:

To change the display back to the prior mode, push the “SELECT” button for a few seconds.

Coolant temperature display



1. Coolant temperature display

The coolant temperature display indicates the temperature of the coolant.

Push the “RESET” button to switch the coolant temperature display to the air intake temperature display.

NOTE:

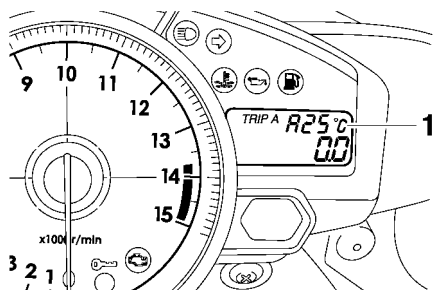
When the coolant temperature display is selected, “C” is displayed for one second, and then the coolant temperature is displayed.

ECA4C81018

CAUTION:

Do not operate the engine if it is overheated.

Air intake temperature display



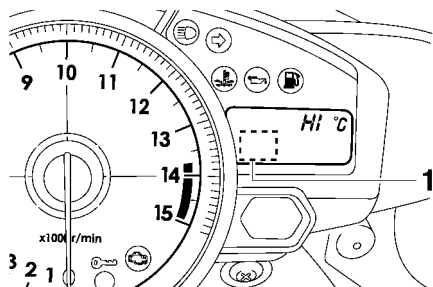
1. Air intake temperature display

The air intake temperature display indicates the temperature of the air drawn into the air filter case. Push the “RESET” button to switch the coolant temperature display to the air intake temperature display.

NOTE:

- Even if the air intake temperature is set to be displayed, the coolant temperature warning light comes on when the engine overheats.
- When the key is turned to “ON”, the coolant temperature is automatically displayed, even if the air intake temperature was displayed prior to turning the key to “OFF”.
- When the air intake temperature display is selected, “A” is displayed before the temperature.

Self-diagnosis device



1. Error code display

This model is equipped with a self-diagnosis device for various electrical circuits. If any of those circuits are defective, the engine trouble warning light will come on, and then the display will indicate a two-digit error code. This model is also equipped with a self-diagnosis device for the immobilizer system.

If any of the immobilizer system circuits are defective, the immobilizer system indicator light will flash, and then the display will indicate a two-digit error code.

NOTE:

If the display indicates error code 52, this could be caused by transponder interference. If this error code appears, try the following.

1. Use the code re-registering key to start the engine.

NOTE:

Make sure there are no other immobilizer keys close to the main switch, and do not keep more than one immobilizer key on the same key ring! Immobilizer system keys may cause signal interference, which may prevent the engine from starting

2. If the engine starts, turn it off and try starting the engine with the standard keys.
3. If one or both of the standard keys do not start the engine, take the vehicle, the code re-registering key and both standard keys to a Yamaha dealer and have the standard keys re-registered.

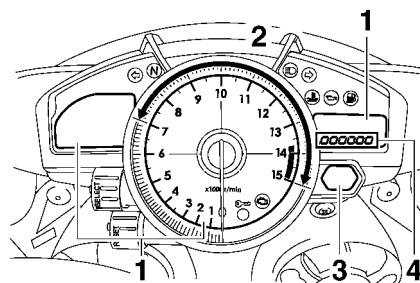
If the display indicates any error codes, note the code number, and then have a Yamaha dealer check the vehicle.

ECA4C81019

CAUTION:

If the display indicates an error code, the vehicle should be checked as soon as possible in order to avoid engine damage.

Display brightness and shift timing indicator light control mode



1. Display brightness
2. Shift timing indicator light activation/deactivation
3. Shift timing indicator light
4. Brightness level

This mode cycles through five control functions, allowing you to make the following settings in the order listed below.

Display brightness:

- This function allows you to adjust the brightness of the displays and tachometer to suit the outside lighting conditions.
- Shift timing indicator light activity:
This function allows you to choose whether or not the indicator light should be activated and whether it should flash or stay on when activated.
- Shift timing indicator light activation:
This function allows you to select the engine speed at which the indicator light will be activated.
- Shift timing indicator light deactivation:
This function allows you to select the engine speed at which the indicator light will be deactivated.
- Shift timing indicator light brightness:
This function allows you to adjust the brightness of the indicator light to suit your preference.

NOTE:

In this mode, the right display shows the current setting for each function (except the shift timing indicator light activity function).

To adjust the brightness of the multifunction meter displays and tachometer

1. Turn the key to “OFF”.
2. Push and hold the “SELECT” button.
3. Turn the key to “ON”, and then release the “SELECT” button after five seconds.
4. Push the “RESET” button to select the desired brightness level.
5. Push the “SELECT” button to confirm the selected brightness level. The control mode changes to the shift timing indicator light activity function.

To set the shift timing indicator light activity function

1. Push the “RESET” button to select one of the following indicator light activity settings:
 - The indicator light will stay on when activated. (This setting is selected when the indicator light stays on.)
 - The indicator light will flash when activated. (This setting is selected when the indicator light flashes four times per second.)
 - The indicator light is deactivated; in other words, it will not come on or flash. (This

setting is selected when the indicator light flashes once every two seconds.)

2. Push the “SELECT” button to confirm the selected indicator light activity. The control mode changes to the shift timing indicator light activation function.

To set the shift timing indicator light activation function

NOTE:

The shift timing indicator light activation function can be set between 7000 r/min and 15000 r/min. From 7000 r/min to 12000 r/min, the indicator light can be set in increments of 500 r/min. From 12000 r/min to 15000 r/min, the indicator light can be set in increments of 200 r/min.

1. Push the “RESET” button to select the desired engine speed for activating the indicator light.
2. Push the “SELECT” button to confirm the selected engine speed. The control mode changes to the shift timing indicator light deactivation function.

To set the shift timing indicator light deactivation function

NOTE:

- The shift timing indicator light deactivation function can be set between 7000 r/min and 15000 r/min. From 7000 r/min to 12000 r/min, the indicator light can be set in increments of 500 r/min. From 12000 r/min to 15000 r/min, the indicator light can be set in increments of 200 r/min.
- Be sure to set the deactivation function to a higher engine speed than for the activation function, otherwise the shift timing indicator light will remain deactivated.

1. Push the “RESET” button to select the desired engine speed for deactivating the indicator light.
2. Push the “SELECT” button to confirm the selected engine speed. The control mode changes to the shift timing indicator light brightness function.

To adjust the shift timing indicator light brightness

1. Push the “RESET” button to select the desired indicator light brightness level.
2. Push the “SELECT” button to confirm the selected indicator light brightness level. The right display will return to the odometer or tripmeter mode.

EAS20180

IMPORTANT INFORMATION

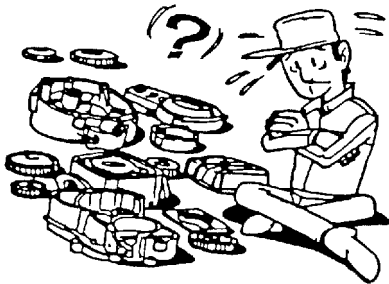
EAS20190

PREPARATION FOR REMOVAL AND DISASSEMBLY

1. Before removal and disassembly, remove all dirt, mud, dust and foreign material.



2. Use only the proper tools and cleaning equipment. Refer to "SPECIAL TOOLS" on page 1-15.
3. When disassembling, always keep mated parts together. This includes gears, cylinders, pistons and other parts that have been "mated" through normal wear. Mated parts must always be reused or replaced as an assembly.

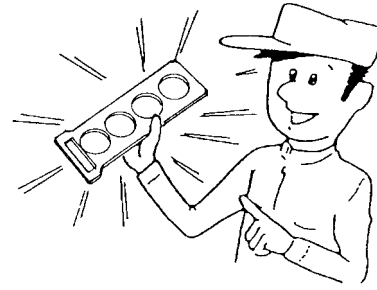


4. During disassembly, clean all of the parts and place them in trays in the order of disassembly. This will speed up assembly and allow for the correct installation of all parts.
5. Keep all parts away from any source of fire.

EAS20200

REPLACEMENT PARTS

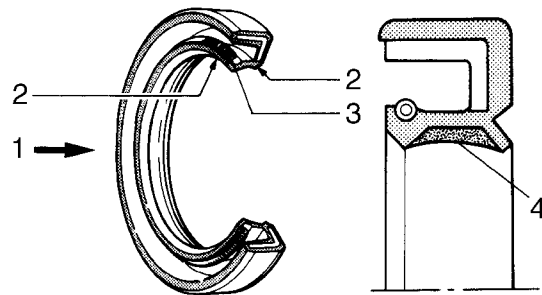
Use only genuine Yamaha parts for all replacements. Use oil and grease recommended by Yamaha for all lubrication jobs. Other brands may be similar in function and appearance, but inferior in quality.



EAS20210

GASKETS, OIL SEALS AND O-RINGS

1. When overhauling the engine, replace all gaskets, seals and O-rings. All gasket surfaces, oil seal lips and O-rings must be cleaned.
2. During reassembly, properly oil all mating parts and bearings and lubricate the oil seal lips with grease.

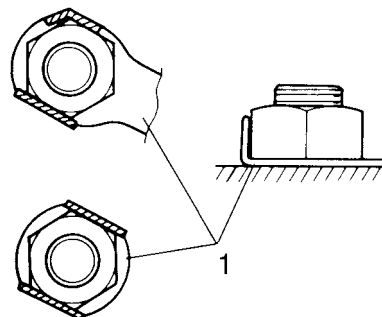


1. Oil
2. Lip
3. Spring
4. Grease

EAS20220

LOCK WASHERS/PLATES AND COTTER PINS

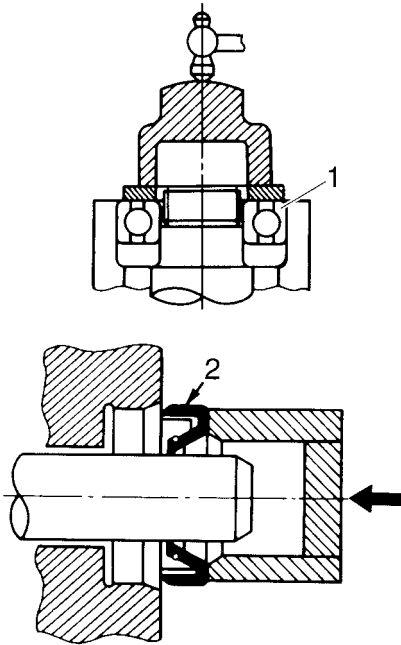
After removal, replace all lock washers/plates "1" and cotter pins. After the bolt or nut has been tightened to specification, bend the lock tabs along a flat of the bolt or nut.



EAS20230

BEARINGS AND OIL SEALS

Install bearings "1" and oil seals "2" so that the manufacturer's marks or numbers are visible. When installing oil seals, lubricate the oil seal lips with a light coat of lithium-soap-based grease. Oil bearings liberally when installing, if appropriate.



ECA13300

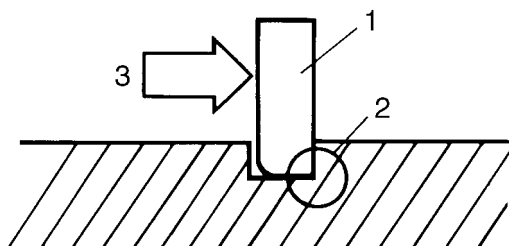
CAUTION:

Do not spin the bearing with compressed air because this will damage the bearing surfaces.

EAS20240

CIRCLIPS

Before reassembly, check all circlips carefully and replace damaged or distorted circlips. Always replace piston pin clips after one use. When installing a circlip "1", make sure the sharp-edged corner "2" is positioned opposite the thrust "3" that the circlip receives.



CHECKING THE CONNECTIONS

EAS20250

CHECKING THE CONNECTIONS

Check the leads, couplers, and connectors for stains, rust, moisture, etc.

1. Disconnect:

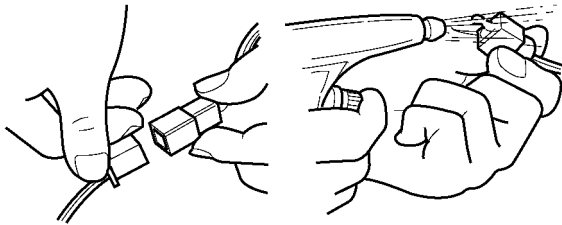
- Lead
- Coupler
- Connector

2. Check:

- Lead
- Coupler
- Connector

Moisture → Dry with an air blower.

Rust/stains → Connect and disconnect several times.



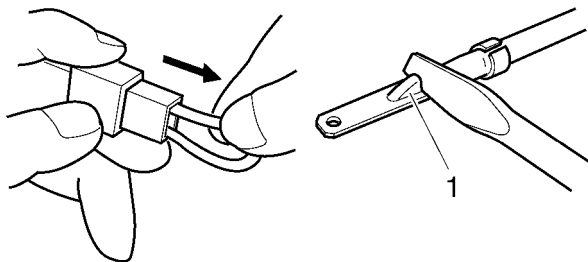
3. Check:

- All connections

Loose connection → Connect properly.

NOTE:

If the pin "1" on the terminal is flattened, bend it up.



4. Connect:

- Lead
- Coupler
- Connector

NOTE:

Make sure all connections are tight.

5. Check:

- Continuity
(with the pocket tester)



Pocket tester

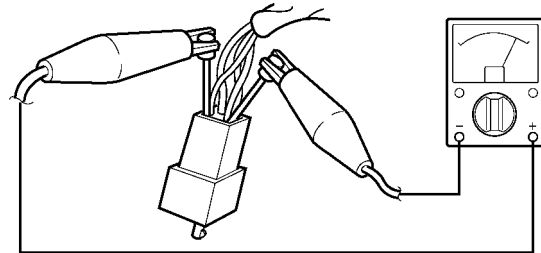
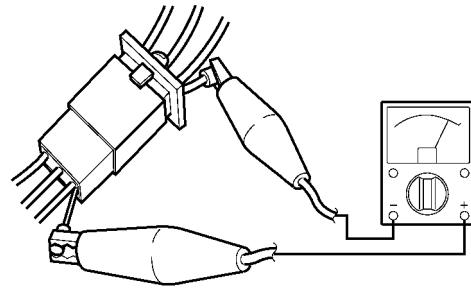
90890-03112

Analog pocket tester

YU-03112-C

NOTE:

- If there is no continuity, clean the terminals.
- When checking the wire harness, perform steps (1) to (3).
- As a quick remedy, use a contact revitalizer available at most part stores.



EAS20260

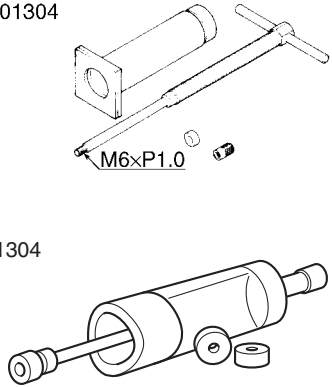
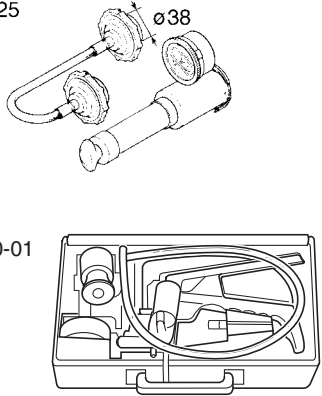
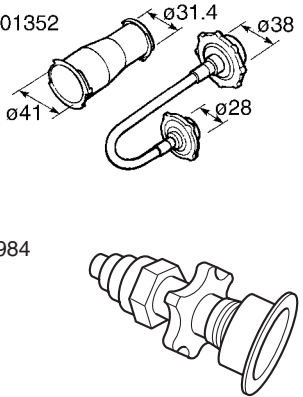
SPECIAL TOOLS

The following special tools are necessary for complete and accurate tune-up and assembly. Use only the appropriate special tools as this will help prevent damage caused by the use of inappropriate tools or improvised techniques. Special tools, part numbers or both may differ depending on the country.

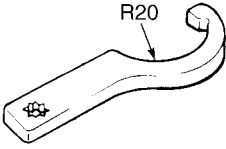
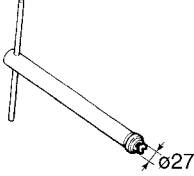
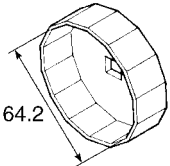
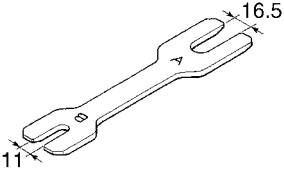
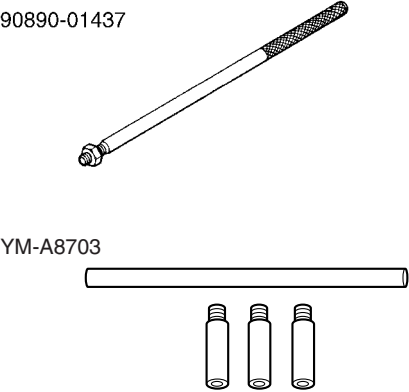
When placing an order, refer to the list provided below to avoid any mistakes.

NOTE:

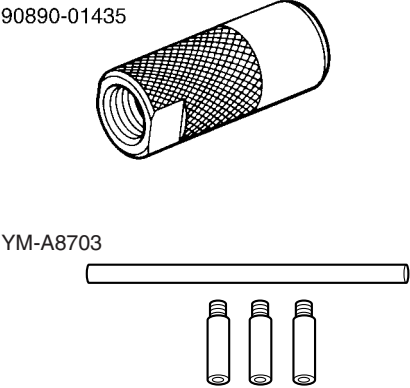
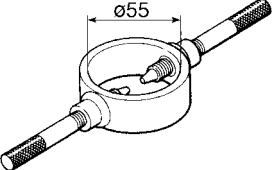
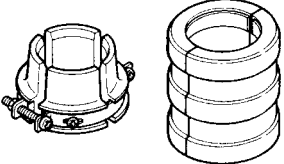
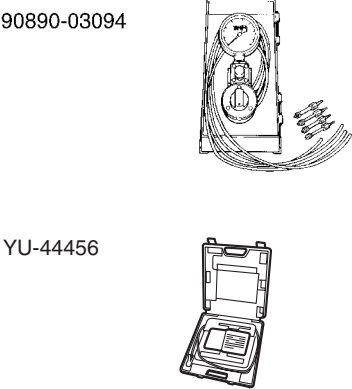
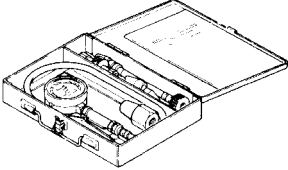
- For U.S.A. and Canada, use part number starting with “YM-”, “YU-”, or “ACC-”.
- For others, use part number starting with “90890-”.

Tool name/Tool No.	Illustration	Reference pages
Piston pin puller set 90890-01304 Piston pin puller YU-01304		5-71
Radiator cap tester 90890-01325 Radiator pressure tester YU-24460-01		6-3
Radiator cap tester adapter 90890-01352 Radiator pressure tester adapter YU-33984		6-3

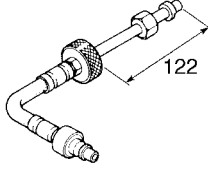
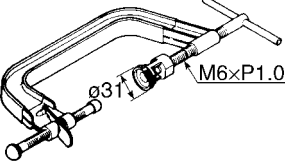
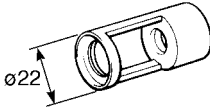
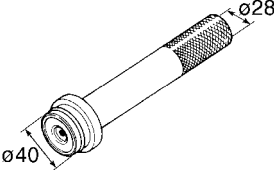
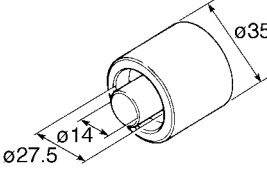
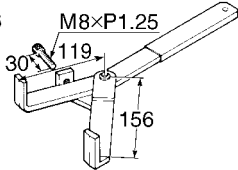
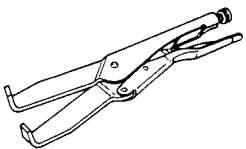
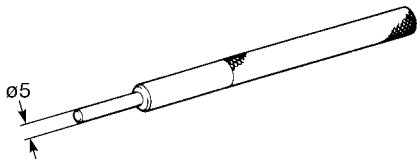
SPECIAL TOOLS

Tool name/Tool No.	Illustration	Reference pages
Steering nut wrench 90890-01403 Spanner wrench YU-33975		3-28, 4-61
Damper rod holder 90890-01423 Damping rod holder YM-01423		4-53, 4-54
Oil filter wrench 90890-01426 YU-38411		3-12
Rod holder 90890-01434 Damper rod holder double ended YM-01434		4-52, 4-57
Rod puller 90890-01437 Universal damping rod bleeding tool set YM-A8703		4-56, 4-57

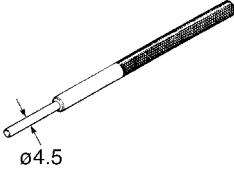
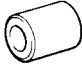
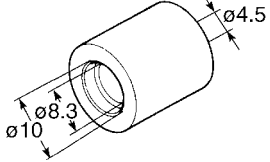
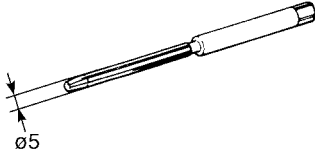
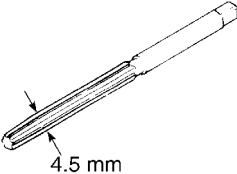
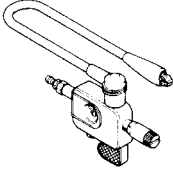
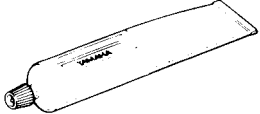
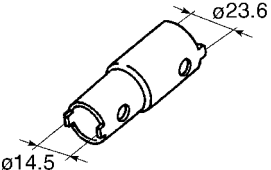
SPECIAL TOOLS

Tool name/Tool No.	Illustration	Reference pages
Rod puller attachment (M12) 90890-01435 Universal damping rod bleeding tool set YM-A8703	 <p>90890-01435</p> <p>YM-A8703</p>	4-56, 4-57
Fork spring compressor 90890-01441 YM-01441	 <p>Ø55</p>	4-52, 4-57
Fork seal driver 90890-01442 Adjustable fork seal driver (36–46 mm) YM-01442		4-55
Vacuum gauge 90890-03094 Carburetor synchronizer YU-44456	 <p>90890-03094</p> <p>YU-44456</p>	3-7
Compression gauge 90890-03081 Engine compression tester YU-33223		3-10

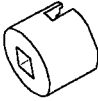
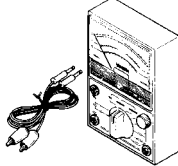
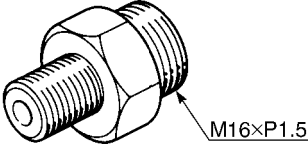
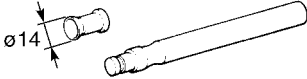
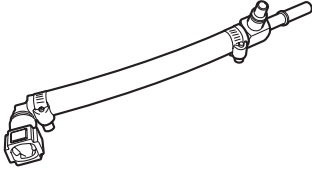
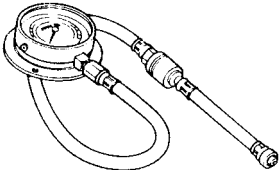
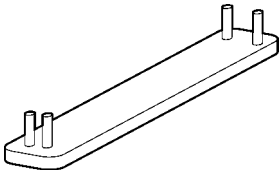
SPECIAL TOOLS

Tool name/Tool No.	Illustration	Reference pages
Extension 90890-04136		3-10
Valve spring compressor 90890-04019 YM-04019		5-23, 5-29
Valve spring compressor attachment 90890-04108 Valve spring compressor adapter 22 mm YM-04108		5-23, 5-29
Middle driven shaft bearing driver 90890-04058 Bearing driver 40 mm YM-04058		6-11
Mechanical seal installer 90890-04078 Water pump seal installer YM-33221-A		6-11
Universal clutch holder 90890-04086 YM-91042	 	5-47, 5-51
Valve guide remover ($\phi 5$) 90890-04097 Valve guide remover (5.0 mm) YM-04097		5-25

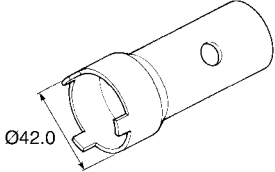
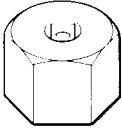
SPECIAL TOOLS

Tool name/Tool No.	Illustration	Reference pages
Valve guide remover (ø4.5) 90890-04116 Valve guide remover (4.5 mm) YM-04116		5-25
Valve guide installer (ø5) 90890-04098 Valve guide installer (5.0 mm) YM-04098		5-25
Valve guide installer (ø4.5) 90890-04117 Valve guide installer (4.5 mm) YM-04117		5-25
Valve guide reamer (ø5) 90890-04099 Valve guide reamer (5.0 mm) YM-04099		5-25
Valve guide reamer (ø4.5) 90890-04118 Valve guide reamer (4.5 mm) YM-04118		5-25
Ignition checker 90890-06754 Opama pet-4000 spark checker YU-34487		8-92
Yamaha bond No. 1215 (Three bond No. 1215®) 90890-85505		5-67, 6-11
Pivot shaft wrench 90890-01471 Frame spanner socket YM-01471		5-7

SPECIAL TOOLS

Tool name/Tool No.	Illustration	Reference pages
Pivot shaft wrench adapter 90890-01476		5-7
Pocket tester 90890-03112 Analog pocket tester YU-03112-C		1-14, 5-41, 8-83, 8-84, 8-85, 8-88, 8-89, 8-90, 8-91, 8-92, 8-93, 8-94, 8-95, 8-96, 8-97, 8-97, 8-98, 8-99, 8-100
Oil pressure adapter H 90890-03139		3-13
Valve lapper 90890-04101 Valve lapping tool YM-A8998		3-5
Fuel pressure adapter 90890-03176 YM-03176		7-6
Pressure gauge 90890-03153 YU-03153		3-13, 7-6
Camshaft wrench 90890-04143 YM-04143		5-11, 5-16

SPECIAL TOOLS

Tool name/Tool No.	Illustration	Reference pages
Ring nut wrench 90890-01507 YM-01507		4-68, 4-70
Damper rod holder (22 mm) 90890-01365		4-69, 4-70

SPECIFICATIONS

GENERAL SPECIFICATIONS	2-1
ENGINE SPECIFICATIONS	2-2
CHASSIS SPECIFICATIONS	2-8
ELECTRICAL SPECIFICATIONS	2-10
TIGHTENING TORQUES	2-12
GENERAL TIGHTENING TORQUE SPECIFICATIONS	2-12
ENGINE TIGHTENING TORQUES	2-13
CHASSIS TIGHTENING TORQUES	2-17
LUBRICATION POINTS AND LUBRICANT TYPES	2-20
ENGINE	2-20
CHASSIS	2-20
LUBRICATION SYSTEM CHART AND DIAGRAMS	2-23
ENGINE OIL LUBRICATION CHART	2-23
LUBRICATION DIAGRAMS	2-25
COOLING SYSTEM DIAGRAMS	2-35
CABLE ROUTING	2-39

GENERAL SPECIFICATIONS

EAS20280

GENERAL SPECIFICATIONS

Model

Model	4C86
-------	------

Dimensions

Overall length	2060 mm (81.1 in)
Overall width	720 mm (28.3 in)
Overall height	1110 mm (43.7 in)
Seat height	835 mm (32.9 in)
Wheelbase	1415 mm (55.7 in)
Ground clearance	135 mm (5.31 in)
Minimum turning radius	3400 mm (133.9 in)

Weight

With oil and fuel	200 kg (441 lb)
Maximum load	195 kg (430 lb)

ENGINE SPECIFICATIONS

EAS20290

ENGINE SPECIFICATIONS

Engine

Engine type	Liquid cooled 4-stroke, DOHC
Displacement	998.0 cm ³
Cylinder arrangement	Forward-inclined parallel 4-cylinder
Bore × stroke	77.0 × 53.6 mm (3.03 × 2.11 in)
Compression ratio	12.70 :1
Standard compression pressure (at sea level)	1480 kPa/350 r/min (210.5 psi/350 r/min) (14.8 kgf/cm ² /350 r/min)
Starting system	Electric starter

Fuel

Recommended fuel	Premium unleaded gasoline only
Fuel tank capacity	18.0 L (4.76 US gal) (3.96 Imp.gal)
Fuel reserve amount	3.2 L (0.85 US gal) (0.70 Imp.gal)

Engine oil

Lubrication system	Wet sump
Type	YAMALUBE 4, SAE 10W30 or SAE 20W40
Recommended engine oil grade	API service, SG type or higher, JASO standard MA
Engine oil quantity	
Total amount	3.83 L (4.05 US qt) (3.37 Imp.qt)
Without oil filter cartridge replacement	2.90 L (3.07 US qt) (2.55 Imp.qt)
With oil filter cartridge replacement	3.10 L (3.28 US qt) (2.73 Imp.qt)

Oil filter

Oil filter type	Formed
-----------------	--------

Oil pump

Oil pump type	Trochoid
Inner-rotor-to-outer-rotor-tip clearance	0.010–0.100 mm (0.0004–0.0039 in)
Limit	0.18 mm (0.0071 in)
Outer-rotor-to-oil-pump-housing clearance	0.090–0.190 mm (0.0035–0.0074 in)
Limit	0.26 mm (0.0102 in)
Oil-pump-housing-to-inner-and-outer-rotor clearance	0.06–0.13 mm (0.0024–0.0051 in)
Limit	0.20 mm (0.0079 in)
Bypass valve opening pressure	80.0–120.0 kPa (11.6–17.4 psi) (0.80–1.20 kgf/cm ²)
Relief valve operating pressure	600.0–680.0 kPa (87.0–98.6 psi) (6.00–6.80 kgf/cm ²)

Cooling system

Radiator capacity (including all routes)	2.76 L (2.92 US qt) (2.43 Imp.qt)
Coolant reservoir capacity (up to the maximum level mark)	0.25 L (0.26 US qt) (0.22 Imp.qt)
Radiator cap opening pressure	108–137 kPa (15.4–19.5 psi) (1.08–1.37 kgf/cm ²)
Radiator core	
Width	374.0 mm (14.72 in)
Height	257.8 mm (10.15 in)
Depth	24.0 mm (0.94 in)
Water pump	
Water pump type	Single suction centrifugal pump
Reduction ratio	65/43 × 25/32 (1.181)

Spark plug (s)

Manufacturer/model	NGK/CR9EK
Spark plug gap	0.6–0.7 mm (0.024–0.028 in)

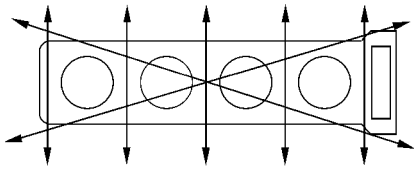
Cylinder head

Volume

14.00–14.80 cm³ (0.85–0.90 cu.in)

Warpage limit

0.10 mm (0.0039 in)



Camshaft

Drive system

Chain drive (right)

Camshaft cap inside diameter

24.500–24.521 mm (0.9646–0.9654 in)

Camshaft journal diameter

24.459–24.472 mm (0.9630–0.9635 in)

Camshaft-journal-to-camshaft-cap clearance

0.028–0.062 mm (0.0011–0.0024 in)

Camshaft lobe dimensions

Intake A

34.450–34.550 mm (1.3563–1.3602 in)

Limit

34.350 mm (1.3524 in)

Intake B

25.170–25.270 mm (0.9909–0.9949 in)

Limit

25.070 mm (0.9870 in)

Exhaust A

33.550–33.650 mm (1.3209–1.3248 in)

Limit

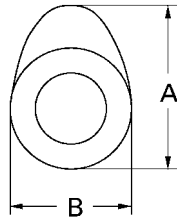
33.450 mm (1.3169 in)

Exhaust B

25.192–25.292 mm (0.9918–0.9957 in)

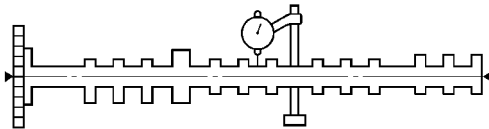
Limit

25.092 mm (0.9879 in)



Camshaft runout limit

0.030 mm (0.0012 in)



Timing chain

Model/number of links

RH2020/124

Tensioning system

Automatic

Valve, valve seat, valve guide

Valve clearance (cold)

Intake

0.11–0.20 mm (0.0043–0.0079 in)

Exhaust

0.26–0.30 mm (0.0102–0.0118 in)

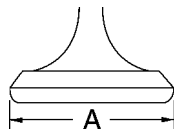
Valve dimensions

Valve head diameter A (intake)

30.90–31.10 mm (1.2165–1.2244 in)

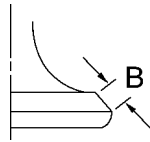
Valve head diameter A (exhaust)

24.90–25.10 mm (0.9803–0.9882 in)

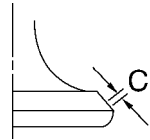


ENGINE SPECIFICATIONS

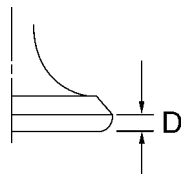
Valve face width B (intake)	1.200–2.480 mm (0.0472–0.0976 in)
Valve face width B (exhaust)	1.625–2.900 mm (0.0640–0.1142 in)



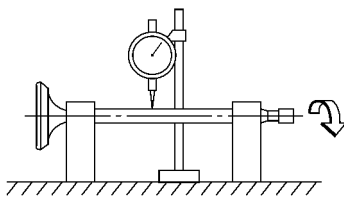
Valve seat width C (intake)	0.90–1.10 mm (0.0354–0.0433 in)
Valve seat width C (exhaust)	0.90–1.10 mm (0.0354–0.0433 in)



Valve margin thickness D (intake)	1.10–1.50 mm (0.0433–0.0591 in)
Valve margin thickness D (exhaust)	0.50–0.90 mm (0.0197–0.0354 in)



Valve stem diameter (intake)	4.975–4.990 mm (0.1959–0.1965 in)
Limit	4.960 mm (0.1953 in)
Valve stem diameter (exhaust)	4.460–4.475 mm (0.1756–0.1762 in)
Limit	4.425 mm (0.1742 in)
Valve guide inside diameter (intake)	5.000–5.012 mm (0.1969–0.1973 in)
Limit	5.050 mm (0.1988 in)
Valve guide inside diameter (exhaust)	4.500–4.512 mm (0.1772–0.1776 in)
Limit	4.550 mm (0.1791 in)
Valve-stem-to-valve-guide clearance (intake)	0.010–0.037 mm (0.0004–0.0015 in)
Limit	0.080 mm (0.0032 in)
Valve-stem-to-valve-guide clearance (exhaust)	0.025–0.052 mm (0.0010–0.0020 in)
Limit	0.100 mm (0.0039 in)
Valve stem runout	0.010 mm (0.0004 in)



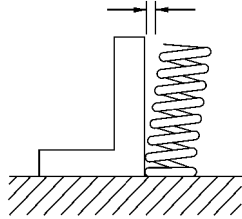
Cylinder head valve seat width (intake)	0.90–1.10 mm (0.0354–0.0433 in)
Cylinder head valve seat width (exhaust)	0.90–1.10 mm (0.0354–0.0433 in)

Valve spring

Inner spring	
Free length (intake)	39.79 mm (1.57 in)
Free length (exhaust)	38.42 mm (1.51 in)
Installed length (intake)	35.50 mm (1.40 in)
Installed length (exhaust)	33.00 mm (1.30 in)
Spring rate K1 (intake)	42.91 N/mm (245.02 lb/in) (4.38 kgf/mm)
Spring rate K2 (intake)	56.23 N/mm (321.07 lb/in) (5.73 kgf/mm)
Spring rate K1 (exhaust)	40.10 N/mm (228.97 lb/in) (4.09 kgf/mm)
Spring rate K2 (exhaust)	51.85 N/mm (296.06 lb/in) (5.29 kgf/mm)

ENGINE SPECIFICATIONS

Installed compression spring force (intake)	171–197 N (38.44–44.29 lbf) (17.44–20.09 kgf) at 35.50 mm (1.398 in)
Installed compression spring force (exhaust)	202–232 N (45.41–52.15 lbf) (20.60–23.66 kgf) at 33.00 mm (1.299 in)
Spring tilt (intake)	2.5 °/1.7 mm
Spring tilt (exhaust)	2.5 °/1.7 mm



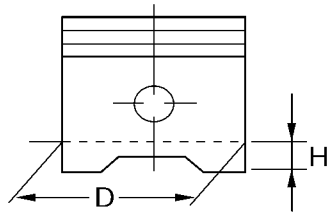
Winding direction (intake)	Clockwise
Winding direction (exhaust)	Clockwise

Cylinder

Bore	77.000–77.010 mm (3.0315–3.0319 in)
Taper limit	0.050 mm (0.0020 in)
Out of round limit	0.050 mm (0.0020 in)

Piston

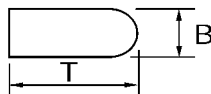
Piston-to-cylinder clearance	0.010–0.035 mm (0.0004–0.0014 in)
Limit	0.12 mm (0.0047 in)
Diameter D	76.975–76.990 mm (3.0305–3.0311 in)
Height H	12.0 mm (0.47 in)



Offset	0.50 mm (0.0197 in)
Offset direction	Intake side
Piston pin bore inside diameter	17.002–17.013 mm (0.6694–0.6698 in)
Piston pin outside diameter	16.991–17.000 mm (0.6689–0.6693 in)

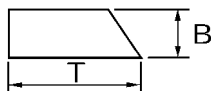
Piston ring

Top ring	
Ring type	Barrel
Dimensions (B × T)	0.90 × 2.75 mm (0.04 × 0.11 in)



End gap (installed)	0.15–0.25 mm (0.0059–0.0098 in)
Ring side clearance	0.030–0.065 mm (0.0012–0.0026 in)

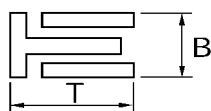
2nd ring	
Ring type	Taper
Dimensions (B × T)	0.80 × 2.75 mm (0.03 × 0.11 in)



End gap (installed)	0.30–0.45 mm (0.0118–0.0177 in)
Ring side clearance	0.020–0.055 mm (0.0008–0.0022 in)

ENGINE SPECIFICATIONS

Oil ring
Dimensions (B × T) 1.50 × 2.25 mm (0.06 × 0.09 in)



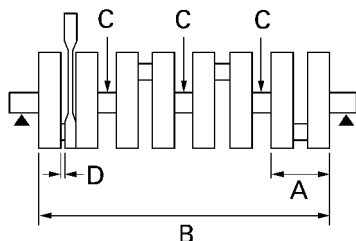
End gap (installed) 0.10–0.40 mm (0.0039–0.0157 in)

Connecting rod

Oil clearance (using plastigauge®) 0.034–0.058 mm (0.0013–0.0023 in)
Bearing color code 1.Blue 2.Black 3.Brown 4.Green

Crankshaft

Width A 55.20–56.60 mm (2.173–2.228 in)
Width B 298.75–300.65 mm (11.76–11.84 in)
Runout limit C 0.030 mm (0.0012 in)
Big end side clearance D 0.160–0.262 mm (0.0063–0.0103 in)



Journal oil clearance (using plastigauge®) 0.014–0.037 mm (0.0006–0.0015 in)
Bearing color code 0.White 1.Blue 2.Black 3.Brown 4.Green

Clutch

Clutch type Wet, multiple-disc
Clutch release method Outer pull, rack and pinion pull
Clutch lever free play 10.0–15.0 mm (0.39–0.59 in)
Friction plate thickness 2.90–3.10 mm (0.114–0.122 in)
Wear limit 2.80 mm (0.1102 in)
Plate quantity 9 pcs
Clutch plate thickness 1.90–2.10 mm (0.075–0.083 in)
Plate quantity 8 pcs
Warpage limit 0.10 mm (0.0039 in)
Clutch spring free length 43.80 mm (1.72 in)
Spring quantity 6 pcs

Transmission

Transmission type Constant mesh 6-speed
Primary reduction system Spur gear
Primary reduction ratio 65/43 (1.512)
Secondary reduction system Chain drive
Secondary reduction ratio 45/17 (2.647)
Operation Left foot operation
Gear ratio
1st 38/15 (2.533)
2nd 33/16 (2.063)
3rd 37/21 (1.762)
4th 35/23 (1.522)
5th 30/22 (1.364)
6th 33/26 (1.269)
Main axle runout limit 0.08 mm (0.0032 in)
Drive axle runout limit 0.08 mm (0.0032 in)

ENGINE SPECIFICATIONS

Shifting mechanism

Shift mechanism type	Shift drum and guide bar
Shift fork guide bar bending limit	0.100 mm (0.0039 in)
Shift fork thickness	5.80–5.88 mm (0.2283–0.2315 in)

Air filter

Air filter element	Oil-coated paper element
--------------------	--------------------------

Fuel pump

Pump type	Electrical
Model/manufacture	4C8/DENSO
Maximum consumption amperage	6.0 A
Output pressure	324.0 kPa (46.1 psi) (3.24 kgf/cm ²)

Fuel injector

Model/quantity	297500-1110/4
Manufacturer	DENSO

Throttle body

Type/quantity	45EIDW/1
Manufacturer	MIKUNI
ID mark	4C81 00
Throttle valve size	#50

Throttle position sensor

Resistance	2.0–3.0 k Ω
Output voltage (at idle)	0.63–0.73 V

Idling condition

Engine idling speed	1150–1250 r/min
Intake vacuum	22.0 kPa (6.5 inHg) (165 mmHg)
Water temperature	95.0–105.0 °C (203.00–221.00 °F)
Oil temperature	80.0–90.0 °C (176.00–194.00 °F)
Throttle cable free play	3.0–5.0 mm (0.12–0.20 in)

CHASSIS SPECIFICATIONS

EAS20300

CHASSIS SPECIFICATIONS

Chassis

Frame type	Diamond
Caster angle	24.00 °
Trail	102.0 mm (4.02 in)

Front wheel

Wheel type	Cast wheel
Rim size	17M/C × MT3.50
Rim material	Aluminum
Wheel travel	120.0 mm (4.72 in)
Radial wheel runout limit	1.0 mm (0.04 in)
Lateral wheel runout limit	0.5 mm (0.02 in)

Rear wheel

Wheel type	Cast wheel
Rim size	17M/C × MT6.00
Rim material	Aluminum
Wheel travel	130.0 mm (5.12 in)
Radial wheel runout limit	1.0 mm (0.04 in)
Lateral wheel runout limit	0.5 mm (0.02 in)

Front tire

Type	Tubeless
Size	120/70 ZR17M/C (58W)
Manufacturer/model	PIRELLI/DIABLO CORSA E
Manufacturer/model	MICHELIN/Pilot POWER
Wear limit (front)	0.8 mm (0.03 in)

Rear tire

Type	Tubeless
Size	190/50 ZR17M/C (73W)
Manufacturer/model	PIRELLI/DIABLO CORSA L
Manufacturer/model	MICHELIN/Pilot POWER
Wear limit (rear)	0.8 mm (0.03 in)

Tire air pressure (measured on cold tires)

Loading condition	0–90 kg (0–198 lb)
Front	250 kPa (36 psi) (2.50 kgf/cm ²) (2.50 bar)
Rear	290 kPa (42 psi) (2.90 kgf/cm ²) (2.90 bar)
Loading condition	90–195 kg (198–430 lb)
Front	250 kPa (36 psi) (2.50 kgf/cm ²) (2.50 bar)
Rear	290 kPa (42 psi) (2.90 kgf/cm ²) (2.90 bar)
High-speed riding	
Front	250 kPa (36 psi) (2.50 kgf/cm ²) (2.50 bar)
Rear	290 kPa (42 psi) (2.90 kgf/cm ²) (2.90 bar)

Front brake

Type	Dual disc brake
Operation	Right hand operation
Front brake lever free play	2.3–11.5 mm (0.09–0.45 in)
Front disc brake	
Disc outside diameter × thickness	310.0 × 5.0 mm (12.20 × 0.20 in)
Brake disc thickness limit	4.5 mm (0.18 in)
Brake disc deflection limit	0.10 mm (0.0039 in)
Brake pad lining thickness (inner)	4.5 mm (0.18 in)
Limit	0.8 mm (0.03 in)
Brake pad lining thickness (outer)	4.5 mm (0.18 in)
Limit	0.8 mm (0.03 in)
Master cylinder inside diameter	16.00 mm (0.63 in)

CHASSIS SPECIFICATIONS

Caliper cylinder inside diameter	24.05 mm × 3 (0.95 in × 3)
Recommended fluid	DOT 4

Rear brake	
Type	Single disc brake
Operation	Right foot operation
Brake pedal free play	4.3–9.3 mm (0.17–0.37 in)
Rear disc brake	
Disc outside diameter × thickness	220.0 × 5.0 mm (8.66 × 0.20 in)
Brake disc thickness limit	4.5 mm (0.18 in)
Brake disc deflection limit	0.15 mm (0.0059 in)
Brake pad lining thickness (inner)	6.0 mm (0.24 in)
Limit	1.0 mm (0.04 in)
Brake pad lining thickness (outer)	6.0 mm (0.24 in)
Limit	1.0 mm (0.04 in)
Master cylinder inside diameter	12.7 mm (0.50 in)
Caliper cylinder inside diameter	38.18 mm (1.50 in)
Recommended fluid	DOT 4

Steering	
Steering bearing type	Angular bearing
Lock to lock angle (left)	27.0 °
Lock to lock angle (right)	27.0 °

Front suspension	
Type	Telescopic fork
Spring/shock absorber type	Coil spring/oil damper
Front fork travel	120.0 mm (4.72 in)
Fork spring free length	237.5 mm (9.35 in)
Limit	232.8 mm (9.17 in)
Collar length	100.0 mm (3.94 in)
Installed length	223.0 mm (8.78 in)
Spring rate K1	9.07 N/mm (51.79 lb/in) (0.92 kgf/mm)
Spring stroke K1	0.0–120.0 mm (0.00–4.72 in)
Inner tube outer diameter	43.0 mm (1.69 in)
Inner tube bending limit	0.2 mm (0.01 in)
Optional spring available	No
Recommended oil	Suspension oil 01
Quantity	513.0 cm ³ (17.34 US oz) (18.09 Imp.oz)
Level	101.0 mm (3.98 in)

Rear suspension	
Type	Swingarm (link suspension)
Spring/shock absorber type	Coil spring/gas-oil damper
Rear shock absorber assembly travel	65.0 mm (2.56 in)
Spring free length	179.5 mm (7.07 in)
Installed length	166.5 mm (6.56 in)
Spring rate K1	93.00 N/mm (531.03 lb/in) (9.48 kgf/mm)
Spring stroke K1	0.0–65.0 mm (0.00–2.56 in)
Optional spring available	No
Enclosed gas/air pressure (STD)	1200 kPa (170.7 psi) (12.0 kgf/cm ²)

Drive chain	
Type/manufacturer	50VA8/DAIDO
Link quantity	118
Drive chain slack	30.0–40.0 mm (1.18–1.57 in)
15-link length limit	239.3 mm (9.42 in)

ELECTRICAL SPECIFICATIONS

EAS20310

ELECTRICAL SPECIFICATIONS

Voltage

System voltage 12 V

Ignition system

Ignition system Transistorized coil ignition (digital)

Ignition timing (B.T.D.C.) 5.0 °/1050 r/min

Engine control unit

Model/manufacture TBDF43/DENSO

Ignition coil

Model/manufacture F6T568/MITSUBISHI

Minimum ignition spark gap 6.0 mm (0.24 in)

Primary coil resistance 0.85–1.15 Ω at 20 °C (68 °F)

Secondary coil resistance 5.02–6.79 k Ω at 20 °C (68 °F)

AC magneto

Model/manufacture F4T850/MITSUBISHI

Standard output 14.0 V/40.0 A/5000 r/min

Stator coil resistance 0.14–0.18 Ω at 20 °C (68 °F)

Rectifier/regulator

Regulator type

Semi conductor-short circuit

Model/manufacture

FH012AA/SHINDENGEN

Regulated voltage (DC)

14.2–14.8 V

Rectifier capacity

50.0 A

Withstand voltage

40.0 V

Battery

Model YTZ10S

Voltage, capacity 12 V, 8.6 Ah

Specific gravity 1.310

Manufacturer GYM

Ten hour rate amperage 0.90 A

Headlight

Bulb type Halogen bulb

Bulb voltage, wattage × quantity

Headlight 12 V, 55.0 W × 4

Auxiliary light 12 V, 5.0 W × 2

Tail/brake light LED

Front turn signal/position light 12 V, 21.0 W/5.0 W × 2

Rear turn signal light 12 V, 21.0 W × 2

License plate light 12 V, 5.0 W × 1

Meter lighting LED

Indicator light

Neutral indicator light LED

Turn signal indicator light LED

Oil level warning light LED

High beam indicator light LED

Fuel level warning light LED

Coolant temperature warning light LED

Engine trouble warning light LED

Immobilizer system indicator light LED

Shift timing indicator light LED

ELECTRICAL SPECIFICATIONS

Electric starting system

System type Constant mesh

Starter motor

Model/manufacture 5VY/YAMAHA
Power output 0.90 kW
Armature coil resistance 0.0090–0.0110 Ω
Brush overall length 10.8 mm (0.43 in)
Limit 7.19 mm (0.28 in)
Brush spring force 5.28–7.92 N (19.01–28.51 oz) (538–808 gf)
Commutator diameter 24.5 mm (0.96 in)
Limit 23.5 mm (0.93 in)
Mica undercut (depth) 1.50 mm (0.06 in)

Starter relay

Model/manufacture 2768093-A/JIDECO
Amperage 180.0 A
Coil resistance 4.18–4.62 Ω

Horn

Horn type Plane
Quantity 1 pcs
Model/manufacture YF-12/NIKKO
Maximum amperage 3.0 A
Coil resistance 1.15–1.25 Ω
Performance 105–113 dB/2m

Turn signal relay

Relay type Full transistor
Model/manufacture FE246BS/DENSO
Built-in, self-canceling device No
Turn signal blinking frequency 75.0–95.0 cycles/min
Wattage 21 W \times 2.0 +3.4 W

Oil level gauge

Model/manufacture 5VY/SOMIC ISHIKAWA

Servo motor

Model/manufacture 5VY/YAMAHA

Fuses

Main fuse 50.0 A
Headlight fuse 25.0 A
Signaling system fuse 7.5 A
Ignition fuse 15.0 A
Radiator fan fuse 15.0 A \times 2
Backup fuse 7.5 A
Electric throttle valve fuse 7.5 A
Reserve fuse 25.0 A
Reserve fuse 15.0 A
Reserve fuse 7.5 A

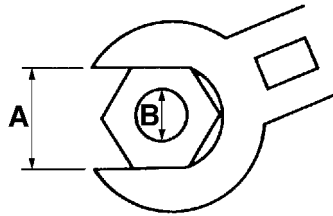
EAS20320

TIGHTENING TORQUES

EAS20330

GENERAL TIGHTENING TORQUE SPECIFICATIONS

This chart specifies tightening torques for standard fasteners with a standard ISO thread pitch. Tightening torque specifications for special components or assemblies are provided for each chapter of this manual. To avoid warpage, tighten multi-fastener assemblies in a crisscross pattern and progressive stages until the specified tightening torque is reached. Unless otherwise specified, tightening torque specifications require clean, dry threads. Components should be at room temperature.



















- A. Distance between flats
- B. Outside thread diameter

A (nut)	B (bolt)	General tightening torques		
		Nm	m·kg	ft·lb
10 mm	6 mm	6	0.6	4.3
12 mm	8 mm	15	1.5	11
14 mm	10 mm	30	3.0	22
17 mm	12 mm	55	5.5	40
19 mm	14 mm	85	8.5	61
22 mm	16 mm	130	13.0	94













TIGHTENING TORQUES

EAS20340















ENGINE TIGHTENING TORQUES

Item	Thread size	Q'ty	Tightening torque	Remarks
Spark plugs	M10	4	13 Nm (1.3 m·kg, 9.4 ft·lb)	
Cylinder head nut (2pieces)	M10	2	See NOTE	
Cylinder head nut (8pieces)	M10	8	See NOTE	
Cylinder head bolt	M6	2	12 Nm (1.2 m·kg, 8.7 ft·lb)	
Camshaft cap bolt	M6	20	10 Nm (1.0 m·kg, 7.2 ft·lb)	
Cylinder head cover bolt	M6	6	12 Nm (1.2 m·kg, 8.7 ft·lb)	
Cylinder head stud bolt (exhaust pipe)	M8	8	15 Nm (1.5 m·kg, 11 ft·lb)	
Air induction system cap bolt	M6	4	10 Nm (1.0 m·kg, 7.2 ft·lb)	
Camshaft sprocket bolt	M7	4	24 Nm (2.4 m·kg, 17 ft·lb)	
Cylinder head and throttle body clamp	M6	7	10 Nm (1.0 m·kg, 7.2 ft·lb)	
Connecting rod cap bolt (1st)	M8	8	20 Nm (2.0 m·kg, 14 ft·lb)	
Connecting rod cap bolt (final)	M8	8	specified angle 150°	
Generator rotor bolt	M10	1	60 Nm (6.0 m·kg, 43 ft·lb)	
Timing chain tensioner bolt	M6	2	10 Nm (1.0 m·kg, 7.2 ft·lb)	
Water pump outlet pipe bolt	M6	1	10 Nm (1.0 m·kg, 7.2 ft·lb)	
Water pump inlet pipe bolt (water pump side)	M6	1	10 Nm (1.0 m·kg, 7.2 ft·lb)	
Water pump inlet pipe bolt (front side)	M6	1	10 Nm (1.0 m·kg, 7.2 ft·lb)	
Oil/water pump drive sprocket bolt	M6	1	15 Nm (1.5 m·kg, 11 ft·lb)	
Water pump bolt	M6	2	12 Nm (1.2 m·kg, 8.7 ft·lb)	
Thermostat cover nut	M6	2	10 Nm (1.0 m·kg, 7.2 ft·lb)	
Thermostat inlet pipe bolt	M6	1	10 Nm (1.0 m·kg, 7.2 ft·lb)	
Oil cooler bolt	M20	1	63 Nm (6.3 m·kg, 46 ft·lb)	
Engine oil drain bolt	M14	1	43 Nm (4.3 m·kg, 31 ft·lb)	
Oil pipe bolt	M6	2	10 Nm (1.0 m·kg, 7.2 ft·lb)	
Oil strainer bolt	M6	3	10 Nm (1.0 m·kg, 7.2 ft·lb)	
Oil delivery pipe bolt	M6	3	10 Nm (1.0 m·kg, 7.2 ft·lb)	
Oil filter union bolt	M20	1	70 Nm (7.0 m·kg, 51 ft·lb)	
Oil filter	M20	1	17 Nm (1.7 m·kg, 12 ft·lb)	
Oil pan bolt	M6	14	12 Nm (1.2 m·kg, 8.7 ft·lb)	
Air filter case screw	M5	9	2.0 Nm (0.2 m·kg, 1.4 ft·lb)	
Air filter case and funnel screw	M5	2	2.5 Nm (0.25 m·kg, 1.8 ft·lb)	
Throttle body and throttle body joint clamp	M5	4	3.0 Nm (0.3 m·kg, 2.2 ft·lb)	
Throttle body and funnel bolt	M6	6	6.0 Nm (0.6 m·kg, 4.3 ft·lb)	
Throttle cable adjusting bolt	M5	2	4.0 Nm (0.4 m·kg, 2.9 ft·lb)	
Cylinder head and exhaust pipe nut	M8	8	20 Nm (2.0 m·kg, 14 ft·lb)	

TIGHTENING TORQUES

Item	Thread size	Q'ty	Tightening torque	Remarks
Exhaust pipe and muffler bolt	M8	2	20 Nm (2.0 m·kg, 14 ft·lb)	
Exhaust pipe and EXUP valve bolt	M6	5	12 Nm (1.2 m·kg, 8.7 ft·lb)	
Exhaust valve pipe bracket bolt	M8	1	20 Nm (2.0 m·kg, 14 ft·lb)	
EXUP pulley and shaft arm nut	M6	1	6.5 Nm (0.65 m·kg, 4.7 ft·lb)	
EXUP valve pulley cover bolt	M6	2	10 Nm (1.0 m·kg, 7.2 ft·lb)	
EXUP valve and EXUP valve pipe bolt	M6	1	10 Nm (1.0 m·kg, 7.2 ft·lb)	
EXUP cable bracket bolt	M6	1	10 Nm (1.0 m·kg, 7.2 ft·lb)	
EXUP cable nut	M6	2	6 Nm (0.6 m·kg, 4.3 ft·lb)	
EXUP servo motor cover bolt	M5	2	2 Nm (0.2 m·kg, 1.4 ft·lb)	
EXUP servo motor bolt	M6	2	6.0 Nm (0.6 m·kg, 4.3 ft·lb)	
Catalyst pipe bracket and rear frame	M8	1	20 Nm (2.0 m·kg, 14 ft·lb)	
Catalyst pipe and EXUP valve pipe bolt	M8	1	20 Nm (2.0 m·kg, 14 ft·lb)	
Catalyst pipe and catalyst pipe bracket bolt	M8	1	20 Nm (2.0 m·kg, 14 ft·lb)	
Catalyst pipe protector	M6	4	6.5 Nm (0.65 m·kg, 4.7 ft·lb)	
Muffler and rear frame bolt	M8	2	23 Nm (2.3 m·kg, 17 ft·lb)	
Muffler protector bolt	M6	4	10 Nm (1.0 m·kg, 7.2 ft·lb)	
Crankcase stud bolt	M10	10	8.0 Nm (0.8 m·kg, 5.8 ft·lb)	
Crankcase bolt (main journal)	M9	10	See NOTE	
Crankcase bolt	M6	2	10 Nm (1.0 m·kg, 7.2 ft·lb)	
Crankcase bolt	M6	8	10 Nm (1.0 m·kg, 7.2 ft·lb)	
Crankcase bolt	M8	1	24 Nm (2.4 m·kg, 17 ft·lb)	 
Crankcase bolt	M8	5	24 Nm (2.4 m·kg, 17 ft·lb)	
Generator rotor cover bolt	M6	4	12 Nm (1.2 m·kg, 8.7 ft·lb)	
Generator rotor cover bolt	M8	3	22 Nm (2.2 m·kg, 16 ft·lb)	
Drive sprocket cover bolt	M6	3	12 Nm (1.2 m·kg, 8.7 ft·lb)	
Crankcase cover bolt	M6	3	10 Nm (1.0 m·kg, 7.2 ft·lb)	
Clutch cover bolt	M6	7	12 Nm (1.2 m·kg, 8.7 ft·lb)	
Clutch cover bolt	M6	1	12 Nm (1.2 m·kg, 8.7 ft·lb)	
Pickup rotor cover bolt	M6	6	12 Nm (1.2 m·kg, 8.7 ft·lb)	
Breather cover bolt	M6	4	12 Nm (1.2 m·kg, 8.7 ft·lb)	
Breather plate bolt	M6	3	10 Nm (1.0 m·kg, 7.2 ft·lb)	
Plate bolt	M6	1	12 Nm (1.2 m·kg, 8.7 ft·lb)	
Plate bolt	M6	1	12 Nm (1.2 m·kg, 8.7 ft·lb)	
Pickup rotor cover blind bolt	M8	1	15 Nm (1.5 m·kg, 11 ft·lb)	
Oil level plug	M20	1	1.5 Nm (0.15 m·kg, 1.1 ft·lb)	
Generator rotor cover plug	M20	1	8.0 Nm (0.8 m·kg, 5.8 ft·lb)	
Main gallery plug (oil return)	M16	3	8.0 Nm (0.8 m·kg, 5.8 ft·lb)	
Main gallery plug	M20	1	8.0 Nm (0.8 m·kg, 5.8 ft·lb)	

TIGHTENING TORQUES

Item	Thread size	Q'ty	Tightening torque	Remarks
Oil return pipe bolt	M6	2	10 Nm (1.0 m·kg, 7.2 ft·lb)	
Oil return plug	M12	2	24 Nm (2.4 m·kg, 17 ft·lb)	
AC magneto lead bolt	M6	1	10 Nm (1.0 m·kg, 7.2 ft·lb)	
Stator coil screw	M6	3	14 Nm (1.4 m·kg, 10 ft·lb)	
Generator rotor cover screw	M6	3	10 Nm (1.0 m·kg, 7.2 ft·lb)	
Thermostat assembly stay bolt	M6	2	10 Nm (1.0 m·kg, 7.2 ft·lb)	
Starter clutch idler gear bolt	M6	1	10 Nm (1.0 m·kg, 7.2 ft·lb)	
Clutch boss nut	M20	1	115 Nm (11.5 m·kg, 83 ft·lb)	 Use a lock washer
Clutch spring bolt	M6	6	10 Nm (1.0 m·kg, 7.2 ft·lb)	
Drive sprocket nut	M22	1	85 Nm (8.5 m·kg, 61 ft·lb)	 Use a lock washer
Bearing plate bolt	M6	3	12 Nm (1.2 m·kg, 8.7 ft·lb)	
Shift bar stopper plate bolt	M6	2	10 Nm (1.0 m·kg, 7.2 ft·lb)	
Stopper screw	M8	1	22 Nm (2.2 m·kg, 16 ft·lb)	
Shift rod nut	M6	1	6.5 Nm (0.65 m·kg, 4.7 ft·lb)	Left thread
Shift rod nut	M6	1	6.5 Nm (0.65 m·kg, 4.7 ft·lb)	
Joint rod bolt	M6	1	10 Nm (1.0 m·kg, 7.2 ft·lb)	
Shift arm bolt	M6	1	10 Nm (1.0 m·kg, 7.2 ft·lb)	
Neutral switch	M10	1	20 Nm (2.0 m·kg, 14 ft·lb)	
Coolant temperature sensor	M12	1	18 Nm (1.8 m·kg, 13 ft·lb)	
Cylinder identification sensor bolt	M6	1	8.0 Nm (0.8 m·kg, 5.8 ft·lb)	
Atmospheric pressure sensor screw	M5	2	7.0 Nm (0.7 m·kg, 5.0 ft·lb)	
Crankshaft position sensor bolt	M6	1	10 Nm (1.0 m·kg, 7.2 ft·lb)	
Oil level switch bolt	M6	2	10 Nm (1.0 m·kg, 7.2 ft·lb)	

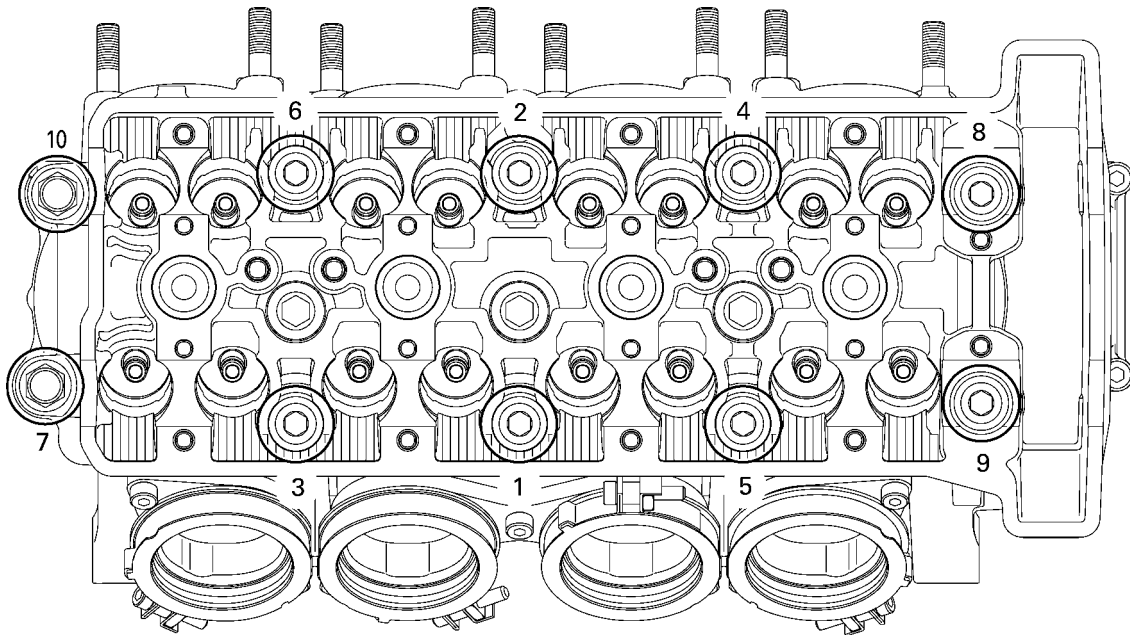
NOTE:

- Cylinder head nut (2 pieces)
 1. First, tighten the bolts to 10 Nm (1.0 m·kg, 7.2 ft·lb) with a torque wrench following the tightening order.
 2. Second, tighten the bolts to 25 Nm (2.5 m·kg, 18 ft·lb) with a torque wrench following the tightening order.
 3. Third, tighten the bolts to 40 Nm (4.0 m·kg, 29 ft·lb) with a torque wrench following the tightening order.
 4. Final, tighten the bolts to 55 Nm (5.5 m·kg, 40 ft·lb) with a torque wrench following the tightening order.
- Cylinder head nut (8 pieces)
 1. First, tighten the bolts to 10 Nm (1.0 m·kg, 7.2 ft·lb) with a torque wrench following the tightening order.
 2. Second, tighten the bolts to 25 Nm (2.5 m·kg, 18 ft·lb) with a torque wrench following the tightening order.

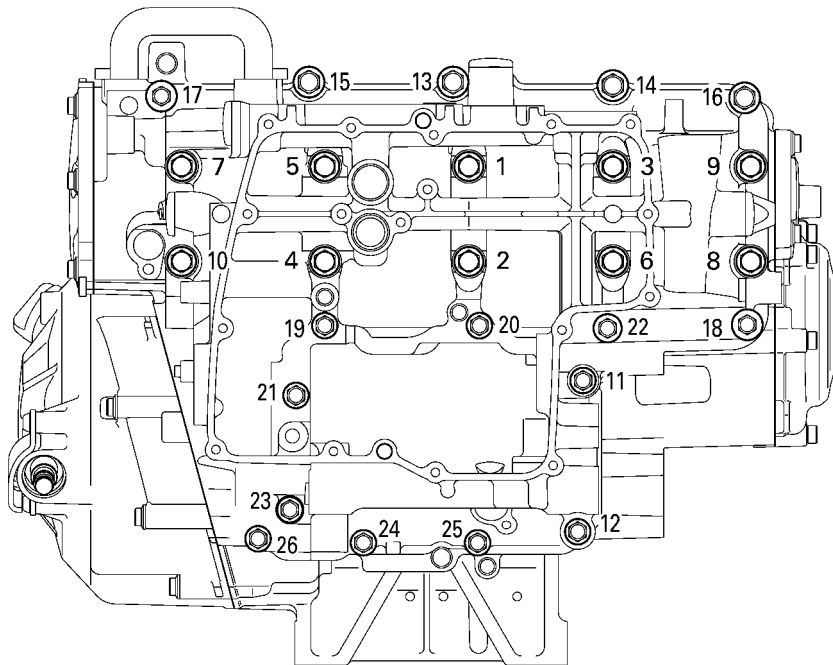
TIGHTENING TORQUES

3. Final, tighten the bolts to 40 Nm (4.0 m·kg, 29 ft·lb) with a torque wrench following the tightening order.
- Crankcase bolt (main journal)
 1. First, tighten the bolts to approximately 20 Nm (2.0 m·kg, 14 ft·lb) with a torque wrench following the tightening order.
 2. Loosen all the bolts one by one following the tightening order and then tighten them to 20 Nm (2.7 m·kg, 14 ft·lb) again.
 3. Retighten the bolts further to reach the specified angle (56-61°).

Cylinder head tightening sequence:







Crankcase tightening sequence:







TIGHTENING TORQUES

EAS20350

CHASSIS TIGHTENING TORQUES

Item	Thread size	Q'ty	Tightening torque	Remarks
Upper bracket pinch bolt	M8	2	26 Nm (2.6 m·kg, 19 ft·lb)	
Steering stem nut	M28	1	113 Nm (11.3 m·kg, 82 ft·lb)	
Handlebar pinch bolt	M8	2	17 Nm (1.7m·kg, 12 ft·lb)	
Handlebar bolt	M6	2	13 Nm (1.3 m·kg, 9.4 ft·lb)	
Cap bolt	M46	2	23 Nm (2.3 m·kg, 17 ft·lb)	
Lower ring nut	M30	2	See NOTE	
Lower bracket pinch bolt	M8	4	23 Nm (2.3 m·kg, 17 ft·lb)	
Brake master cylinder reservoir cap screw	M4	1	1.2 Nm (0.12 m·kg, 0.9 ft·lb)	
Front brake hose union bolt	M10	3	30 Nm (3.0 m·kg, 22 ft·lb)	
Front brake master cylinder holder bolt	M6	2	13 Nm (1.3 m·kg, 9.4 ft·lb)	
Meter assembly and cowling stay screw	–	3	1.3 Nm (0.13 m·kg, 0.9 ft·lb)	
Headlight and cowling stay screw	–	6	0.8 Nm (0.08 m·kg, 0.6 ft·lb)	
Front cowling and headlight screw	–	5	1.5 Nm (0.15 m·kg, 1.1 ft·lb)	
Side cowling bracket and frame bolt	M6	2	5.0 Nm (0.5 m·kg, 3.6 ft·lb)	
Under cowling and engine bolt	M6	3	5.0 Nm (0.5 m·kg, 3.6 ft·lb)	
Rear view mirror nut	M6	4	7.0 Nm (0.7 m·kg, 5.1 ft·lb)	
Front cowling and intake air duct panel screw	M5	2	1.3 Nm (0.13 m·kg, 0.9 ft·lb)	
Grip end bolt	M6	2	4.0 Nm (0.4 m·kg, 2.9 ft·lb)	
Horn bracket bolt	M6	2	11 Nm (1.1 m·kg, 8.0 ft·lb)	
Coolant reservoir bolt	M6	2	5.0 Nm (0.5 m·kg, 3.6 ft·lb)	
Left front engine mounting bolt	M10	1	45 Nm (4.5 m·kg, 33 ft·lb)	
Right front engine mounting bolt	M10	1	45 Nm (4.5 m·kg, 33 ft·lb)	
Engine mount self locking nut (upper)	M10	1	51 Nm (5.1 m·kg, 37 ft·lb)	See NOTE 
Engine mount self locking nut (lower)	M10	1	51 Nm (5.1 m·kg, 37 ft·lb)	See NOTE 
Engine mounting adjust bolt (upper)	M16	1	7.0 Nm (0.7 m·kg, 5.1 ft·lb)	See NOTE
Engine mounting adjust bolt (lower)	M16	1	7.0 Nm (0.7 m·kg, 5.1 ft·lb)	See NOTE
Clutch cable locknut (engine side)	M8	1	7.0 Nm (0.7 m·kg, 5.1 ft·lb)	
Main frame and rear frame bolt	M10	4	50 Nm (5.0 m·kg, 36 ft·lb)	See NOTE 
Pivot shaft	M30	1	7.0 Nm (0.7 m·kg, 5.1 ft·lb)	
Pivot shaft ring nut	M30	1	65 Nm (6.5 m·kg, 47 ft·lb)	
Pivot shaft nut	M20	1	105 Nm (10.5 m·kg, 76 ft·lb)	

TIGHTENING TORQUES

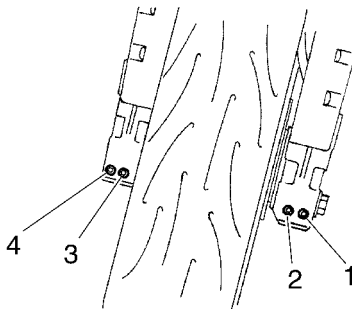
Item	Thread size	Q'ty	Tightening torque	Remarks
Connecting arm nut (connecting arm and frame)	M10	1	44 Nm (4.4 m·kg, 32 ft·lb)	
Relay arm nut (relay arm and connecting arm)	M10	1	44 Nm (4.4 m·kg, 32 ft·lb)	
Relay arm nut (relay arm and swingarm)	M10	1	44 Nm (4.4 m·kg, 32 ft·lb)	
Rear shock absorber assembly lower nut	M10	1	44 Nm (4.4 m·kg, 32 ft·lb)	
Rear shock absorber upper bracket nut	M10	1	44 Nm (4.4 m·kg, 32 ft·lb)	
Rear shock absorber assembly upper nut	M10	1	92 Nm (9.2 m·kg, 67 ft·lb)	
Drive chain guard bolt	M6	2	7.0 Nm (0.7 m·kg, 5.1 ft·lb)	
Drive chain guide bolt	M6	1	13 Nm (1.3 m·kg, 9.4 ft·lb)	
Drive chain adjusting locknut	M8	2	16 Nm (1.6 m·kg, 12 ft·lb)	
Fuel pump bolt	M5	6	4.0 Nm (0.4 m·kg, 2.9 ft·lb)	
Fuel tank bolt (front)	M6	1	7.0 Nm (0.7 m·kg, 5.1 ft·lb)	
Fuel tank bracket bolt	M6	2	7.0 Nm (0.7 m·kg, 5.1 ft·lb)	
Fuel tank bolt (rear)	M6	4	7.0 Nm (0.7 m·kg, 5.1 ft·lb)	
Fuel tank side cover screw	M5	2	4.0 Nm (0.4 m·kg, 2.9 ft·lb)	
Rider seat bolt	M6	2	7.0 Nm (0.7 m·kg, 5.1 ft·lb)	
Seat lock assembly bolt	M6	2	10 Nm (1.0 m·kg, 7.2 ft·lb)	
Upper tail cover bolt	M5	1	4.0 Nm (0.4 m·kg, 2.9 ft·lb)	
Battery box bolt	M6	2	7.0 Nm (0.7 m·kg, 5.1 ft·lb)	
Lean angle sensor bolt	M4	2	2.0 Nm (0.2 m·kg, 1.4 ft·lb)	
Footrest bracket bolt	M8	4	28 Nm (2.8 m·kg, 20 ft·lb)	
Rear brake master cylinder bolt	M8	2	23 Nm (2.3 m·kg, 17 ft·lb)	
Rear brake hose union bolt	M10	2	30 Nm (3.0 m·kg, 22 ft·lb)	
Sidestand and bracket nut	M10	1	61 Nm (6.1 m·kg, 44 ft·lb)	
Sidestand bracket and frame bolt	M10	2	63 Nm (6.3 m·kg, 46 ft·lb)	
Front wheel axle bolt	M14	1	91 Nm (9.1 m·kg, 66 ft·lb)	
Rear wheel axle nut	M24	1	150 Nm (15.0 m·kg, 108 ft·lb)	
Front brake caliper bolt	M10	4	35 Nm (3.5 m·kg, 25 ft·lb)	
Front brake disc bolt	M6	10	18 Nm (1.8 m·kg, 13 ft·lb)	
Rear brake disc bolt	M8	5	30 Nm (3.0 m·kg, 22 ft·lb)	
Rear wheel sprocket nut	M10	6	100 Nm (10.0 m·kg, 72 ft·lb)	
Brake caliper bleed screw	M8	3	6.0 Nm (0.6 m·kg, 4.3 ft·lb)	
Front wheel axle pinch bolt	M8	4	21 Nm (2.1 m·kg, 15 ft·lb)	See NOTE

NOTE:

- Lower ring nut
 1. First, tighten the lower ring nut approximately 52 Nm (5.2 m·kg, 38 ft·lb) by using the torque wrench, then loosen the ring nut completely.
 2. Retighten the lower ring nut 18 Nm (1.8 m·kg, 13 ft·lb).

TIGHTENING TORQUES

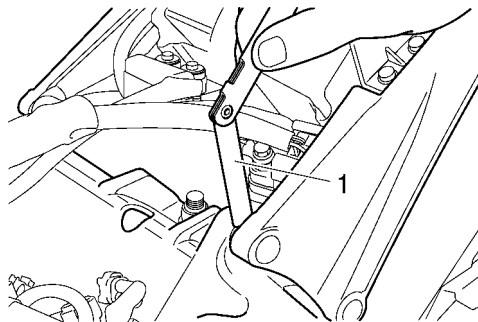
- Engine mounting adjust bolt and engine mount self locking nut
Refer to "INSTALLING THE ENGINE" on page 5-7.
- Front wheel axle pinch bolt
 1. Insert the front wheel axle from the right side and tighten it with the flange bolt from the left side to 91 Nm (9.1 m·kg, 65.8 ft·lb).
 2. In the order from the pinch bolt "2" → pinch bolt "1" → pinch bolt "2", tighten each bolt to 21 Nm (2.1 m·kg, 15 ft·lb) without performing temporary tightening.
 3. Check that the end face of the axle head and the end face of the fork side are flush-mounted. If they are out of alignment, make sure to fit them by adding the external force by hand or with a plastic hammer, etc.
If the end face of the axle is not parallel to the end face of the fork, align them so that one point of the axle circumference is positioned on the end face of the fork.
At this stage, it can be accepted if the end face of the axle becomes partially concave to the end face of the fork.
 4. In the order from the pinch bolt "4" → pinch bolt "3" → pinch bolt "4", tighten each bolt to 21 Nm (2.1 m·kg, 15 ft·lb) without performing temporary tightening.



- Main frame and rear frame bolt
 1. Check the clearance between rear frame and main frame by thickness gauge "1".
Insert adjusting shim(s) to eliminate the gap according to the chart as shown below.

Thickness	Shim(s)
Under 0.5 mm (Under 0.01969 in)	NONE
0.51–1.0 mm (0.02008–0.03937 in)	One shim on the left side
1.01–1.5 mm (0.03976–0.05906 in)	Two shims on the left side
1.51–2.0 mm (0.05945–0.07874 in)	Three shims on the left side
2.01–2.5 mm (0.07913–0.09843 in)	Three shims on the left side and one shim on the right side
2.51–3.0 mm (0.09882–0.11811 in)	Three shims on the left side and two shims on the right side

Shim: 0.5 mm (0.02 in)


























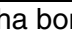
LUBRICATION POINTS AND LUBRICANT TYPES

EAS20360

LUBRICATION POINTS AND LUBRICANT TYPES



EAS20370

ENGINE



















Lubrication point	Lubricant
Oil seal lips	
O-rings	
Bearings	
Crankshaft pins	
Piston surfaces	
Piston pins	
Connecting rod bolts	
Crankshaft journals	
Camshaft lobes	
Camshaft journals	
Valve stems (intake and exhaust)	
Valve stem ends (intake and exhaust)	
Water pump impeller shaft	
Oil pump rotors (inner and outer)	
Oil pump housing	
Oil strainer	
Clutch (pull rod)	
Starter clutch idle gear inner surface	
Starter clutch assembly	
Primary driven gear	
Transmission gears (wheel and pinion)	
Main axle and drive axle	
Shift drum	
Shift forks and shift fork guide bars	
Cylinder head cover mating surface	Yamaha bond No. 1215
Cylinder head cover semicircular	Yamaha bond No. 1215
Crankcase mating surface	Yamaha bond No. 1215
Crankcase cover mating surface	Yamaha bond No. 1215
Generator rotor cover (stator coil assembly lead grommet)	Yamaha bond No. 1215

EAS20380

CHASSIS

Lubrication point	Lubricant
Steering bearings and bearing races (upper and lower)	
Throttle grip inner surface	

LUBRICATION POINTS AND LUBRICANT TYPES

Lubrication point	Lubricant
Brake lever pivoting point and metal-to-metal moving parts	
Clutch lever pivoting point and metal-to-metal moving parts	
Engine mount bolts (rear upper and lower)	
Relay arm, connecting rod and rear shock absorber collar	
Pivot shaft	
Swingarm pivot bearing	
Swingarm head pipe end, oil seal and bush	
Oil seal (relay arm, connecting arm and rear shock absorber)	
Seat lock assembly moving parts	
Sidestand pivoting pint and metal-to-metal moving parts	
Link and sidestand switch contact point	
Sidestand hook and spring	
Shift shaft joint	
Front wheel oil seal (right and left)	
Front axle shaft	
Rear wheel oil seal	
Rear wheel drive hub oil seal	
Rear wheel drive hub mating surface	

LUBRICATION POINTS AND LUBRICANT TYPES

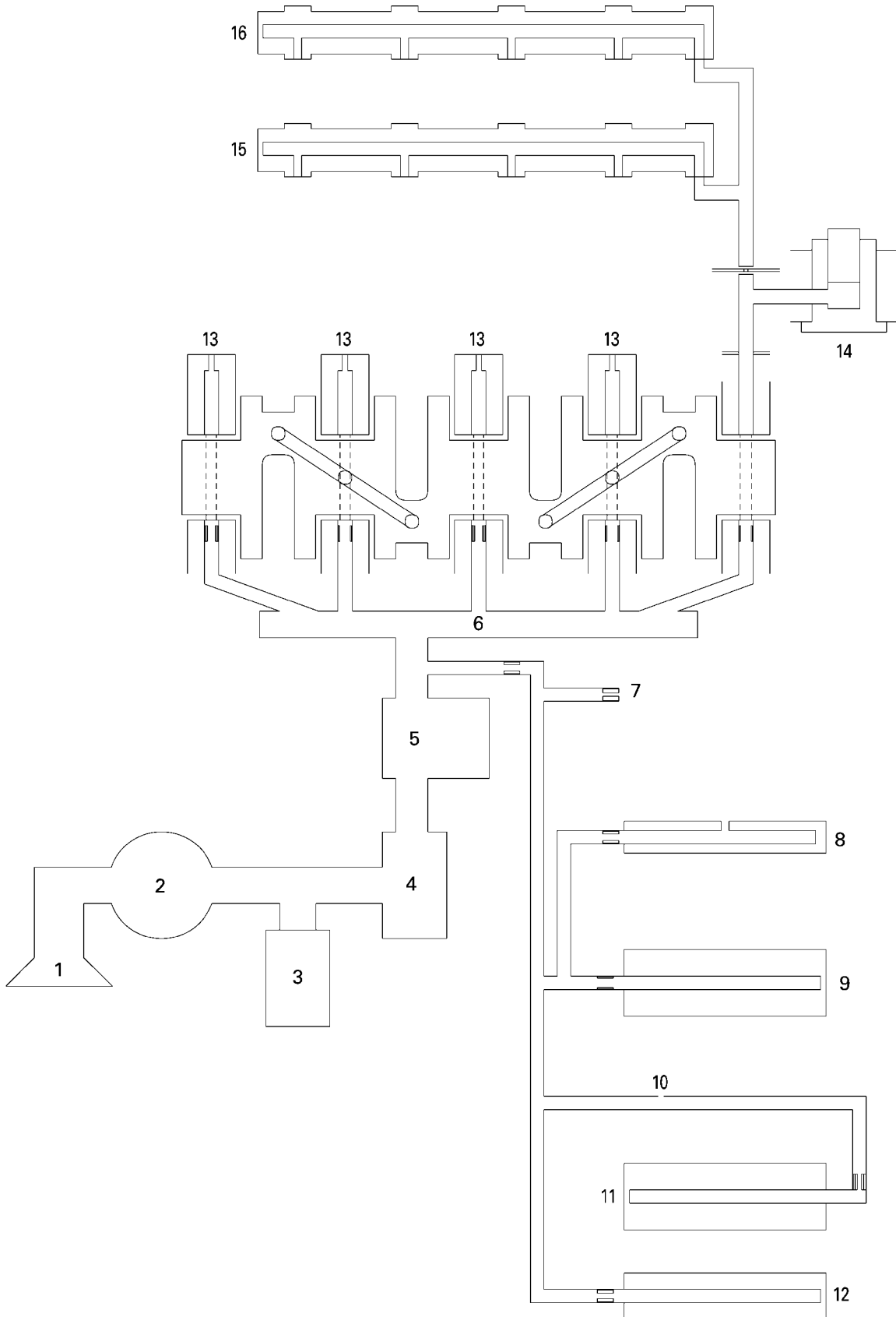
LUBRICATION SYSTEM CHART AND DIAGRAMS

EAS20390

LUBRICATION SYSTEM CHART AND DIAGRAMS

EAS20400

ENGINE OIL LUBRICATION CHART



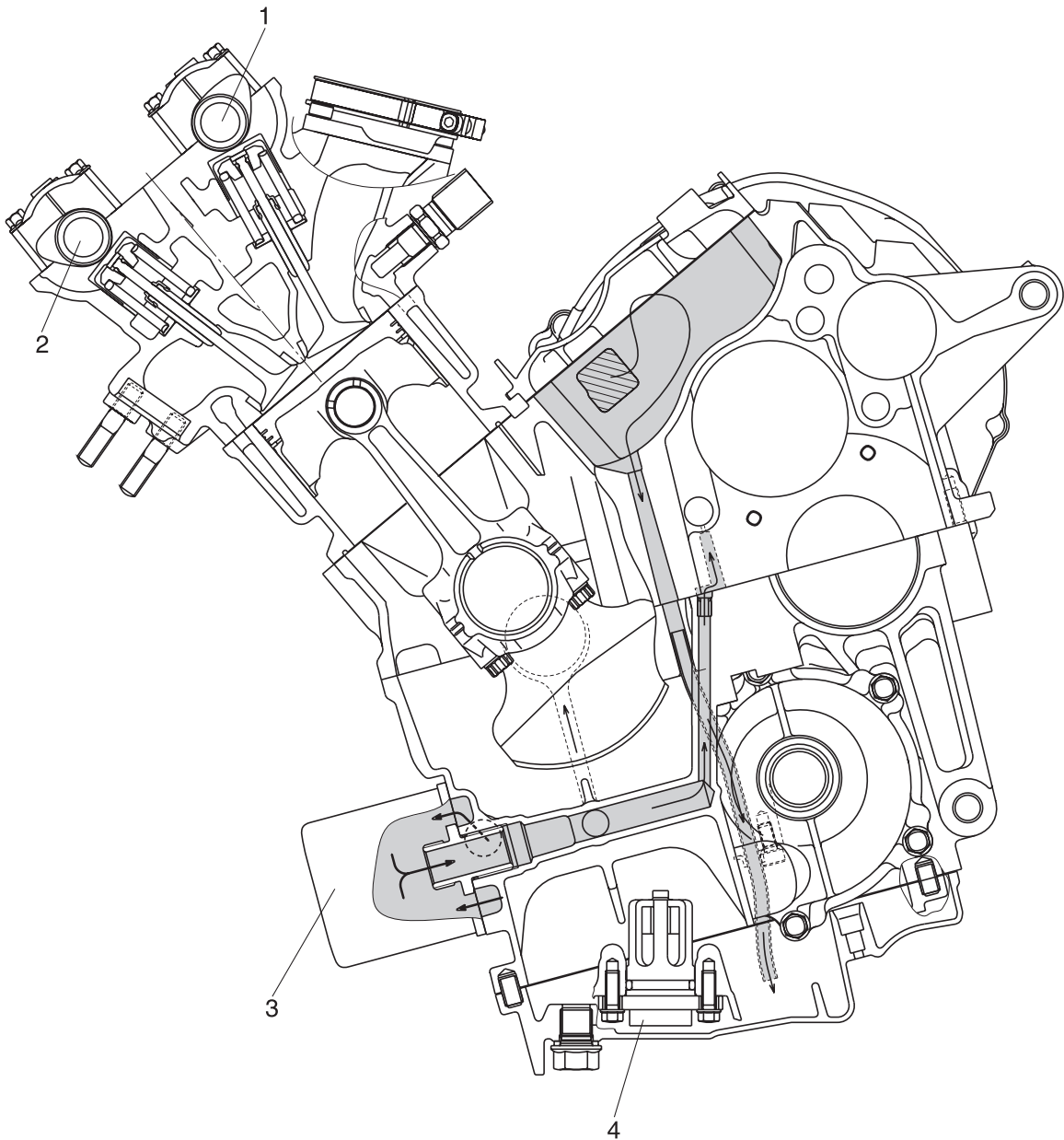
LUBRICATION SYSTEM CHART AND DIAGRAMS

1. Oil strainer
2. Oil pump
3. Relief valve
4. Oil cooler
5. Oil filter
6. Main gallery
7. AC magneto drive gear shower
8. Shift fork (upper)
9. Main axle
10. Mission shower
11. Drive axle
12. AC magneto axle
13. Piston cooler
14. Chain tensioner
15. Intake camshaft
16. Exhaust camshaft

LUBRICATION SYSTEM CHART AND DIAGRAMS

EAS20410

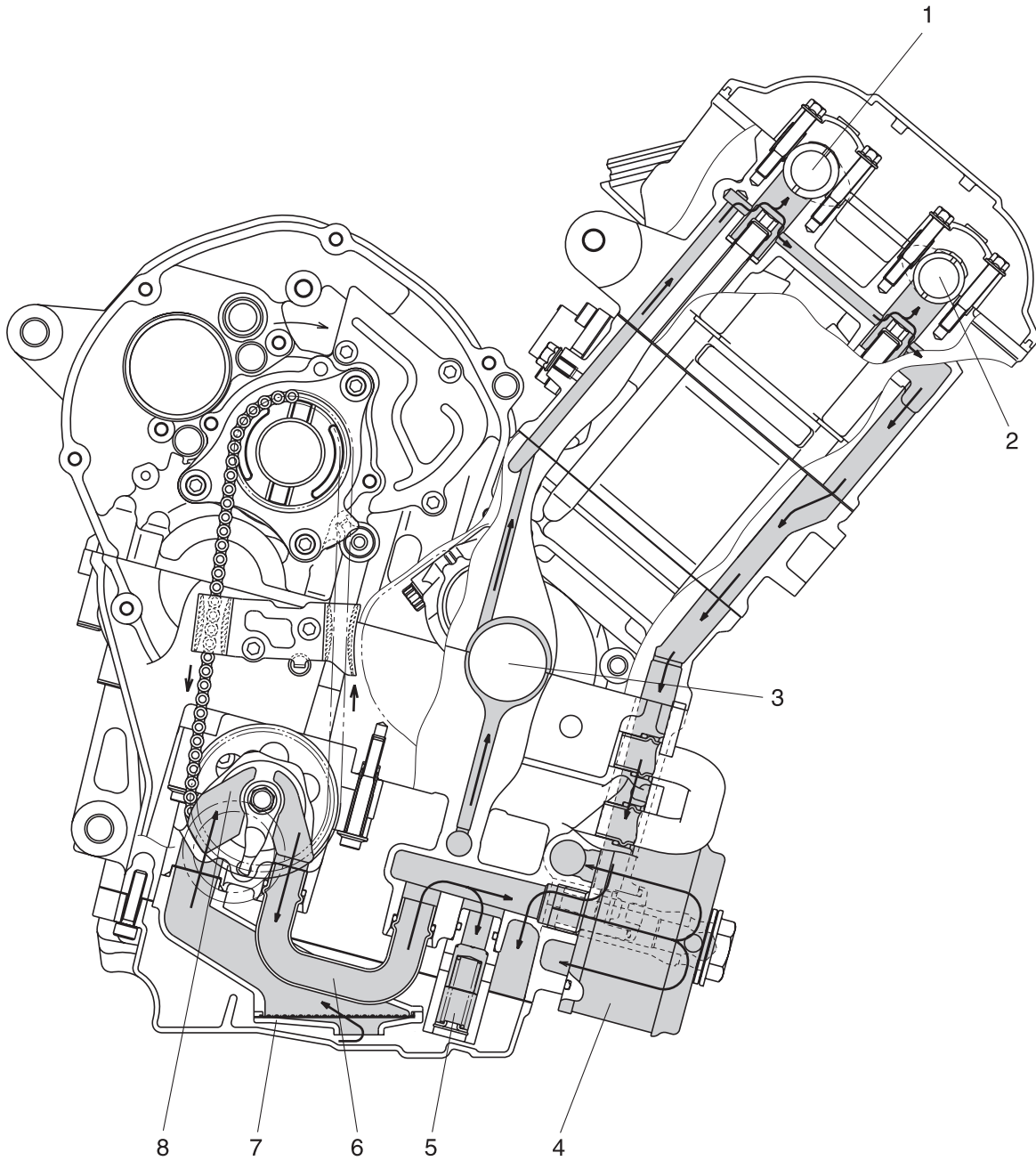
LUBRICATION DIAGRAMS



LUBRICATION SYSTEM CHART AND DIAGRAMS

1. Intake camshaft
2. Exhaust camshaft
3. Oil filter cartridge
4. Oil level switch

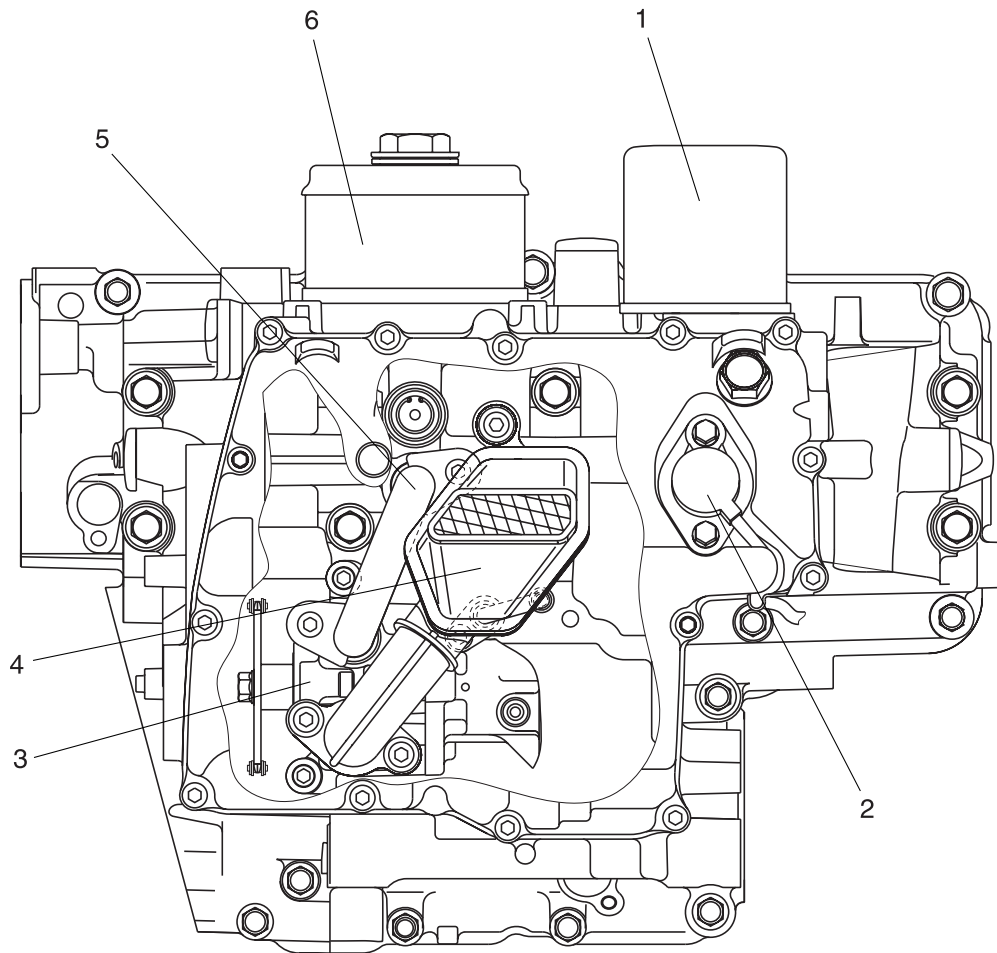
LUBRICATION SYSTEM CHART AND DIAGRAMS



LUBRICATION SYSTEM CHART AND DIAGRAMS

1. Intake camshaft
2. Exhaust camshaft
3. Crankshaft
4. Oil cooler
5. Relief valve
6. Oil pipe
7. Oil strainer
8. Oil pump

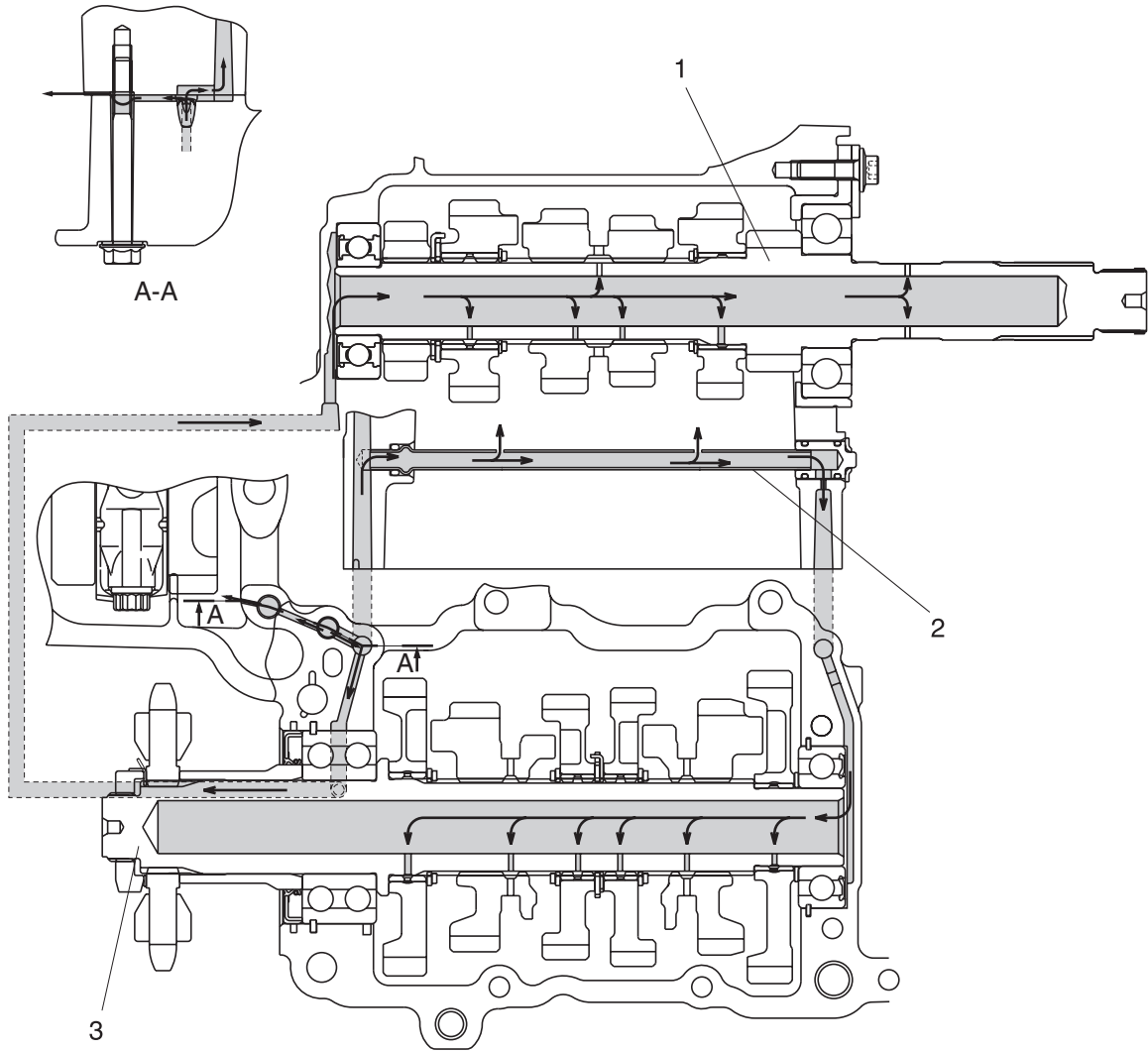
LUBRICATION SYSTEM CHART AND DIAGRAMS



LUBRICATION SYSTEM CHART AND DIAGRAMS

1. Oil filter cartridge
2. Oil level switch
3. Oil pump
4. Oil strainer
5. Oil pipe
6. Oil cooler

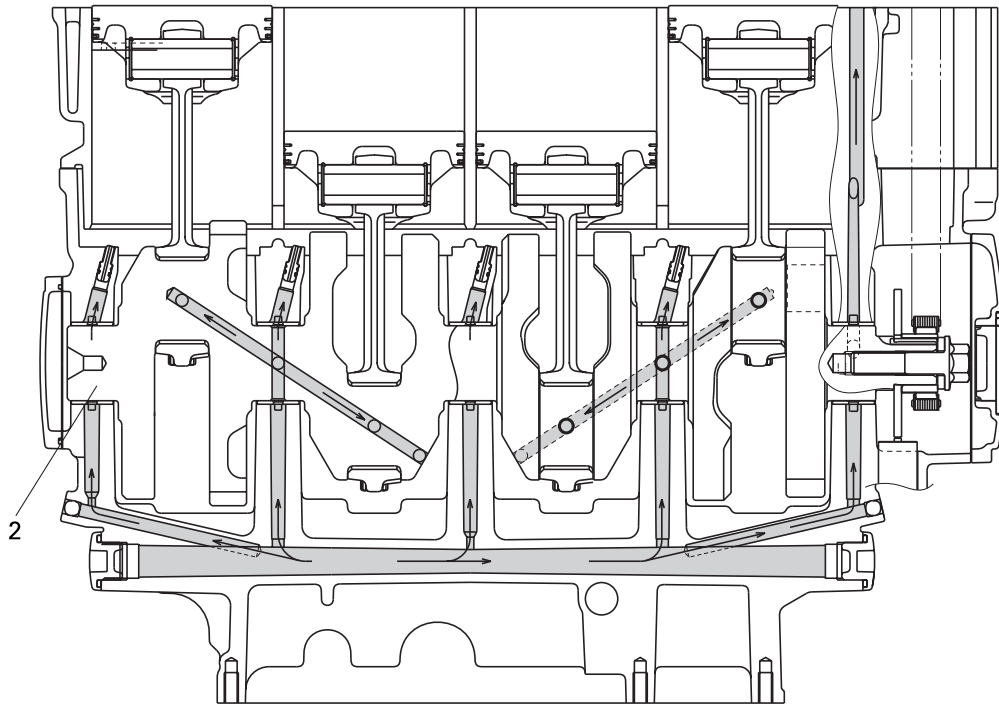
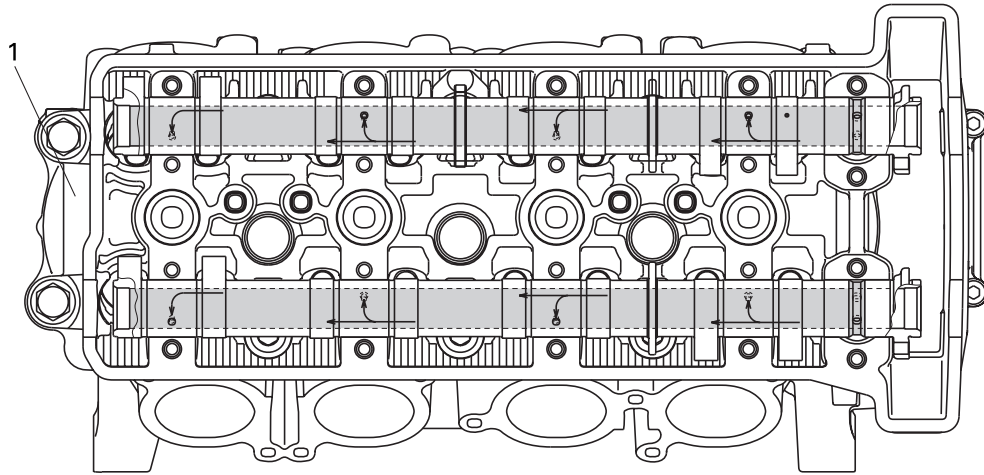
LUBRICATION SYSTEM CHART AND DIAGRAMS



LUBRICATION SYSTEM CHART AND DIAGRAMS

1. Main axle
2. Oil delivery pipe
3. Drive axle

LUBRICATION SYSTEM CHART AND DIAGRAMS



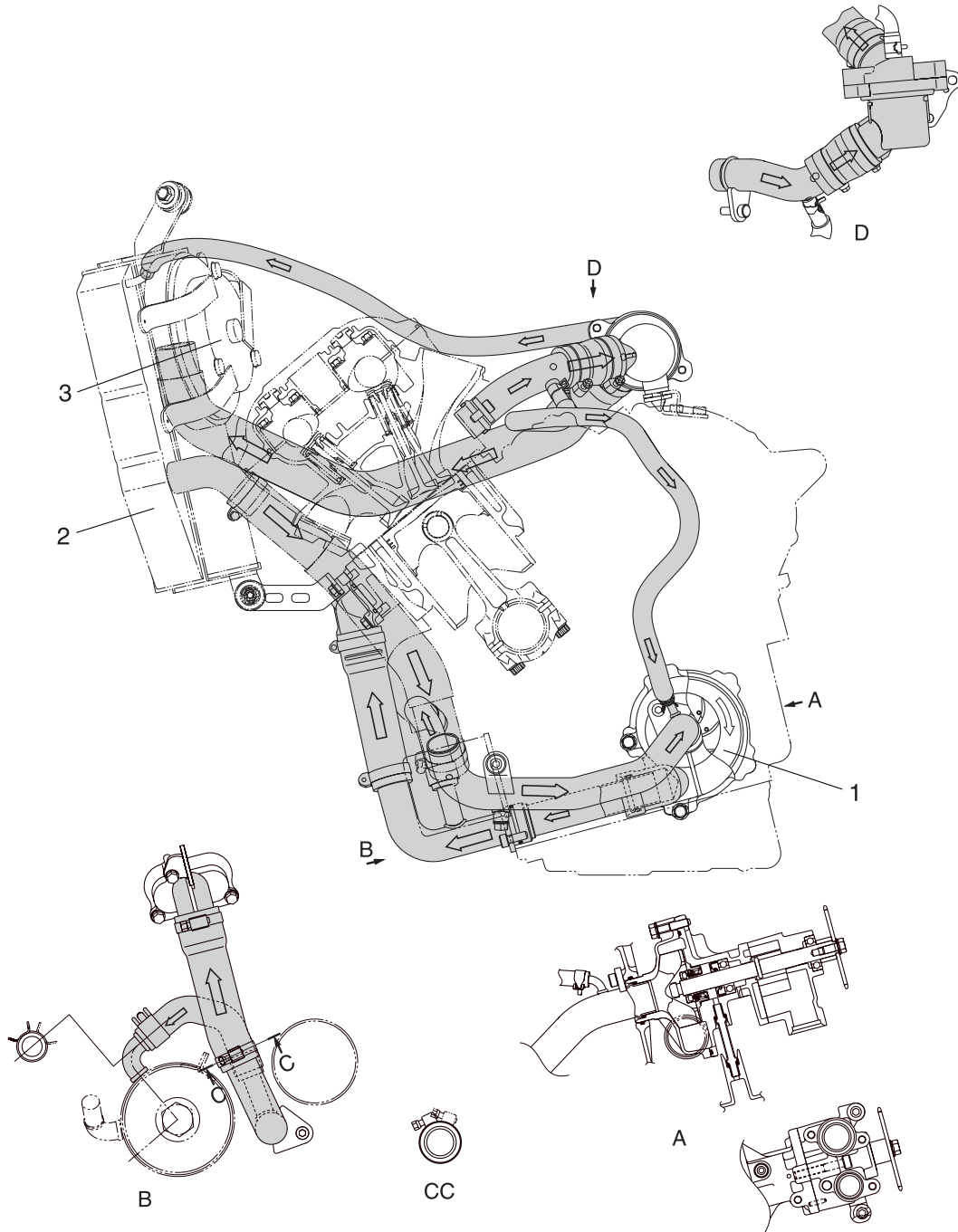
LUBRICATION SYSTEM CHART AND DIAGRAMS

1. Cylinder head
2. Crankshaft

COOLING SYSTEM DIAGRAMS

EAS20420

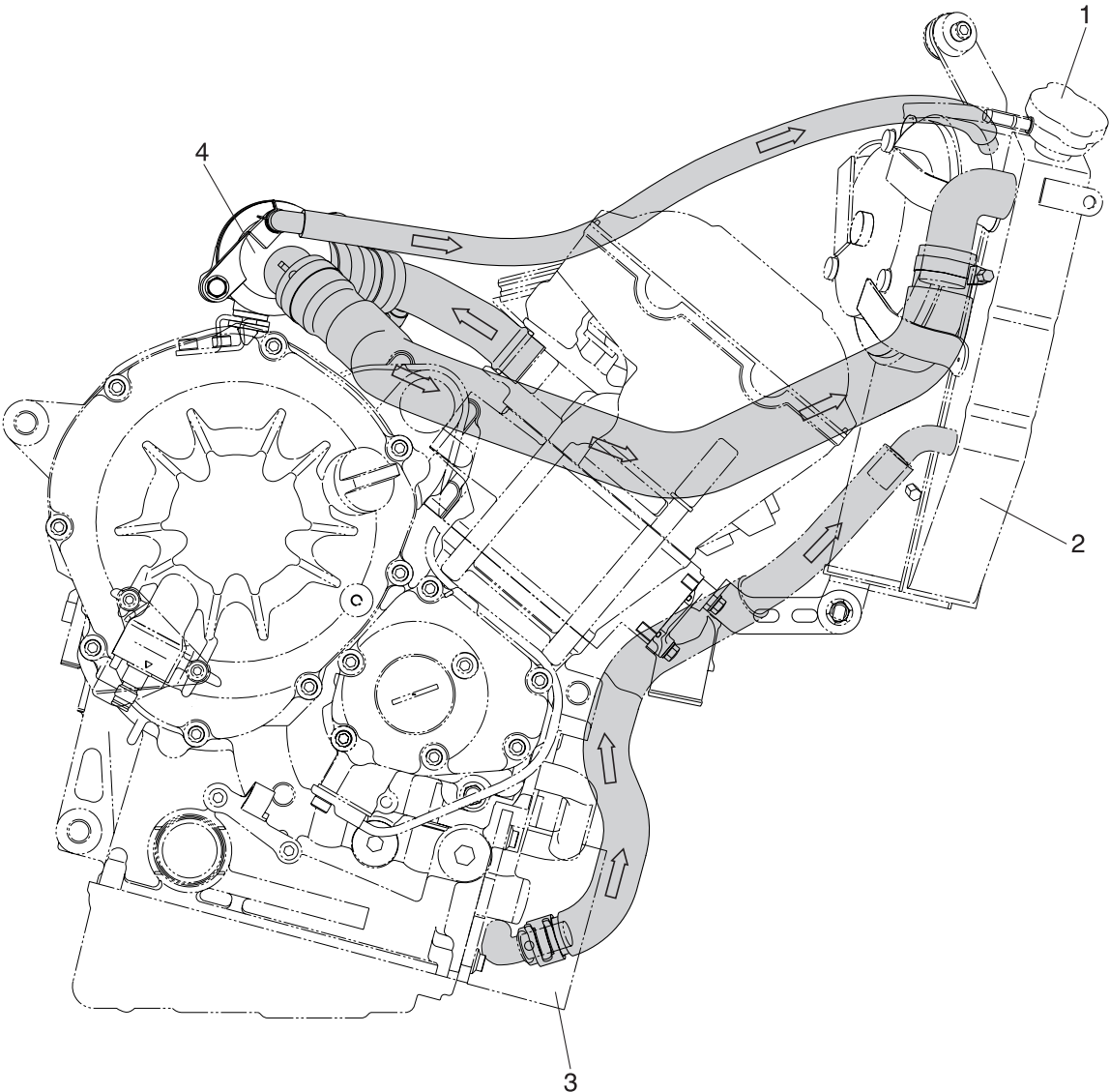
COOLING SYSTEM DIAGRAMS



COOLING SYSTEM DIAGRAMS

1. Water pump
2. Radiator
3. Radiator fan

COOLING SYSTEM DIAGRAMS

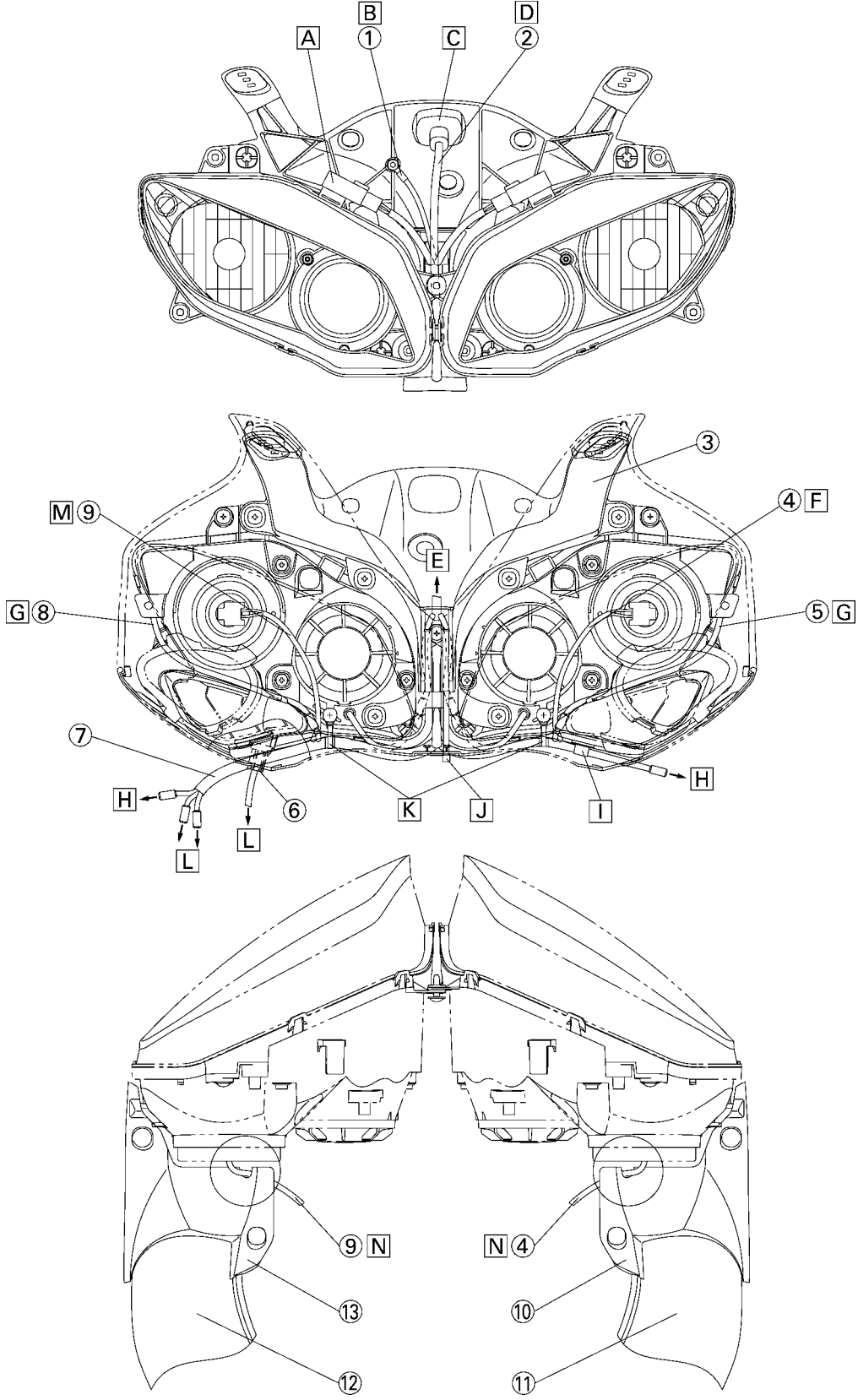


COOLING SYSTEM DIAGRAMS

1. Radiator cap
2. Radiator
3. Oil cooler
4. Thermostat

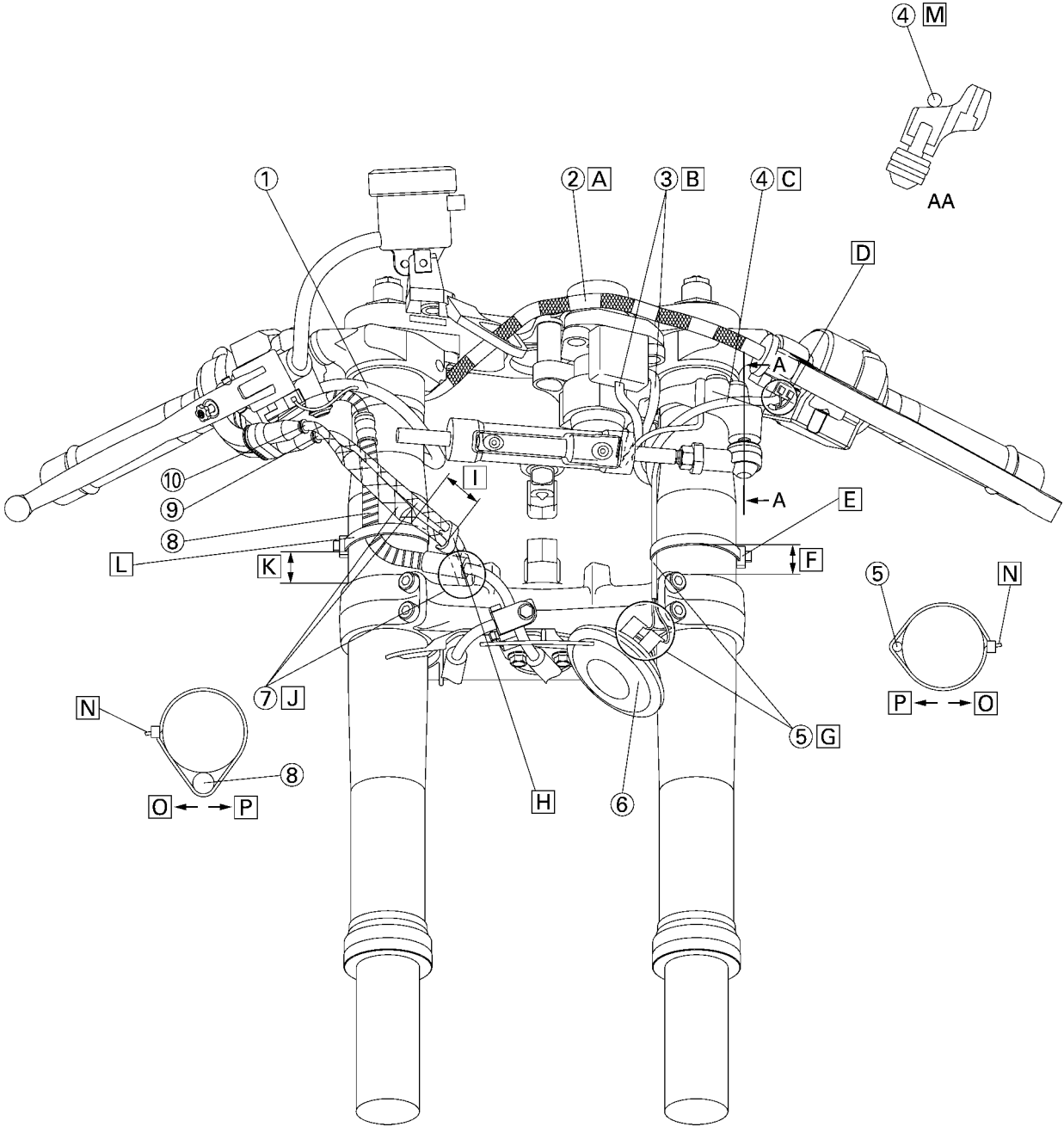
EAS20430

CABLE ROUTING



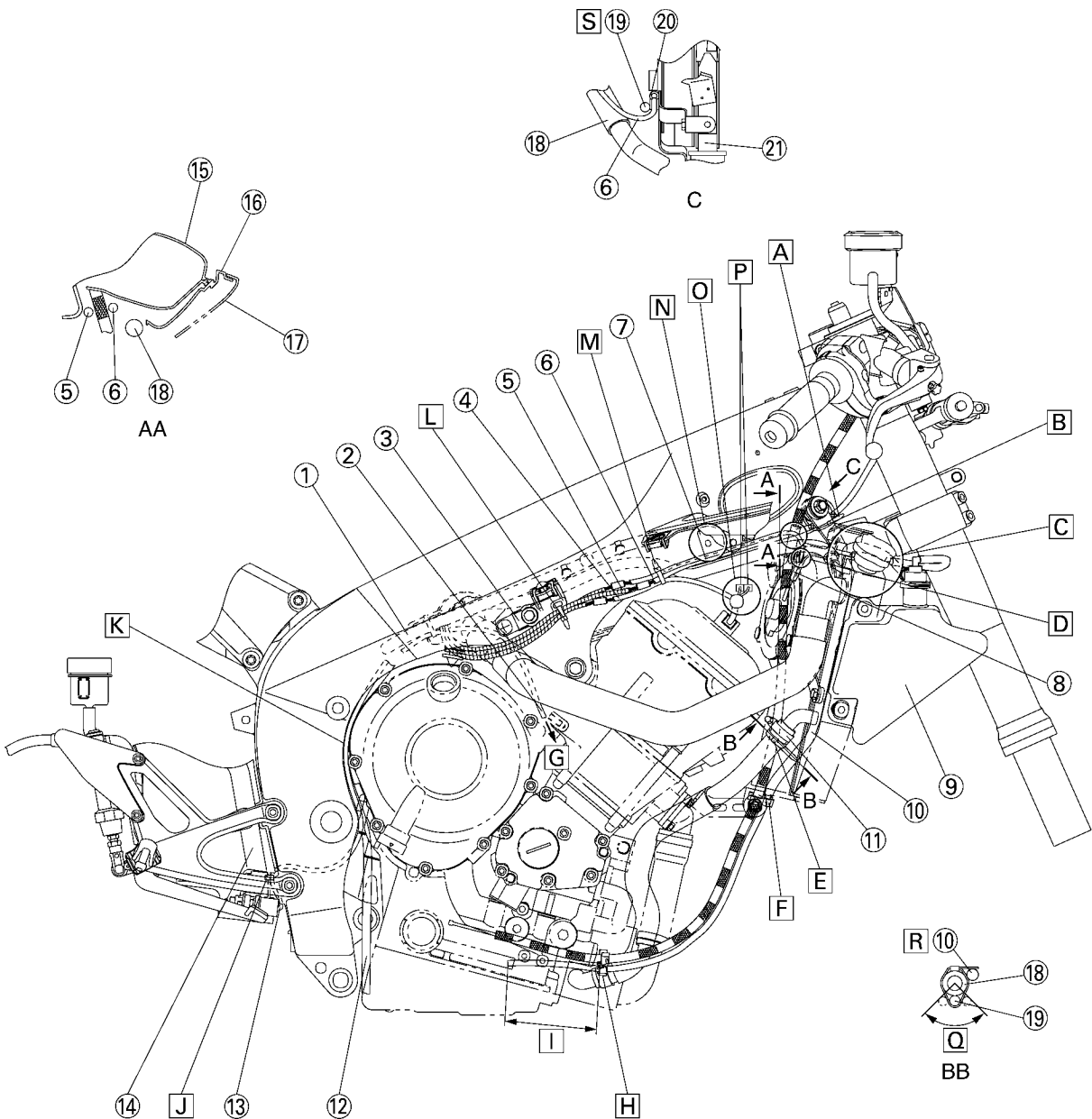
1. Ground lead
 2. Meter lead
 3. Headlight stay
 4. Right headlight lead (high beam)
 5. Right auxiliary light lead
 6. Intake air temperature sensor coupler
 7. Headlight lead
 8. Left Auxiliary light lead
 9. Left headlight lead (high beam)
 10. Right console panel
 11. Right intake air duct
 12. Left intake air duct
 13. Left console panel
- A. Insert to the rib of the head light.
(Either location of the right and left relays is acceptable.)
 - B. The lead should not stretch too much.
Direction of the ground terminal can be either top side or flip side.
 - C. Make sure to insert the coupler and boot to the stay hole.
 - D. The speedometer lead should not be strained.
 - E. To the headlight stay hole
 - F. Route by the rear side of the vehicle away from the right auxiliary light lead.
 - G. Connect after passing over the upper side of the duct.
 - H. To the turn signal light
 - I. Paste the latch of the clamp to be positioned toward the rear side of the vehicle.
 - J. There should be no slack when clamping.
Point the tip of the clamp (excessive part) to the front side of the vehicle.
Fasten the headlight lead with a clamp.
 - K. Clamp the headlight lead.
Cut the tip of the clamp.
 - L. To the wire harness
 - M. Route by the rear side of the vehicle away from the left auxiliary light lead.
 - N. Feed a lead wire through the U shape cut-out of the console panel.

CABLE ROUTING



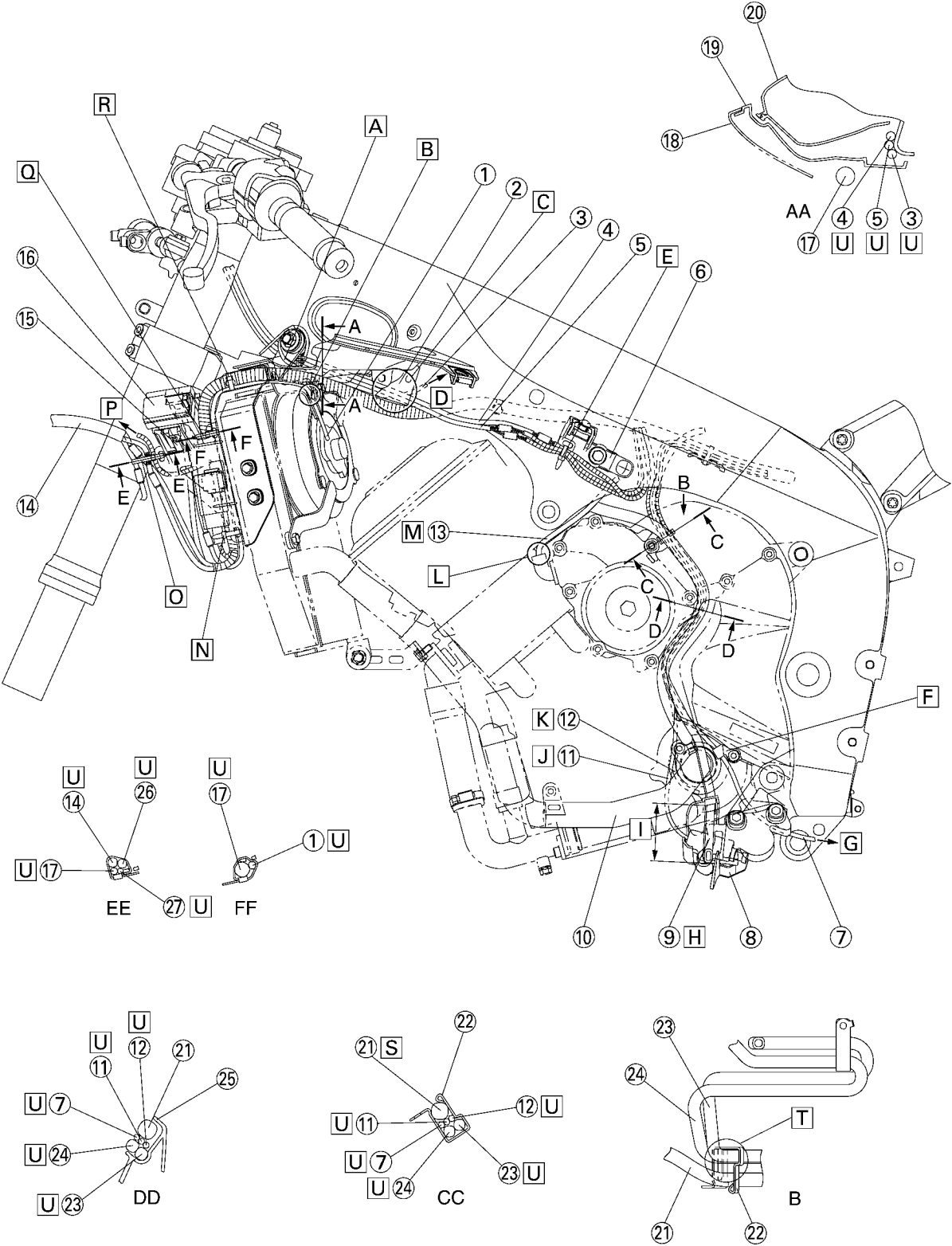
1. Right handlebar switch lead
 2. Clutch cable
 3. Main switch lead
 4. Left handlebar switch lead
 5. Horn lead
 6. Horn
 7. Throttle cables
 8. Brake hose
 9. Throttle cable (return side)
 10. Throttle cable (pull side)
- A. Route the clutch cable so as to get along the front side of the main switch after passing it through the guide.
 - B. Pass the main switch lead through the guide wire.
 - C. Pass the left handlebar switch lead through the guide wire.
 - D. Pass the clutch switch lead through outside of the left handlebar switch lead.
 - E. Point the tip of the band (excessive part) to the left side of the vehicle and cut the surplus section.
 - F. Clamp the section between 0 and 20 mm (0 and 0.79 in) from the split of the under bracket.
 - G. Clamp the leads inside the front fork of the vehicle. Point the exit of the horn lead to the left front fork side.
 - H. Fit in the clamp from the inner side to the outer side of the vehicle so that the return side is positioned upper and the pull side is lower at the upper side of the vehicle above the brake hose.
 - I. 0 to 30 mm (0 to 1.18 in)
 - J. Route two throttle cables behind the brake hose, pass between the inside of the under bracket's upper side front fork.
 - K. 20 to 40 mm (0.8 to 1.6 in)
 - L. Point the tip of the band (excessive part) to the right side of the vehicle and cut the surplus section.
 - M. Pass the left handlebar switch lead through upper side of the steering damper bracket.
 - N. Cut the clamp tip leaving 2 to 4 mm (0.08 to 0.16 in).
 - O. Outside of the vehicle.
 - P. Inside of the vehicle.

CABLE ROUTING



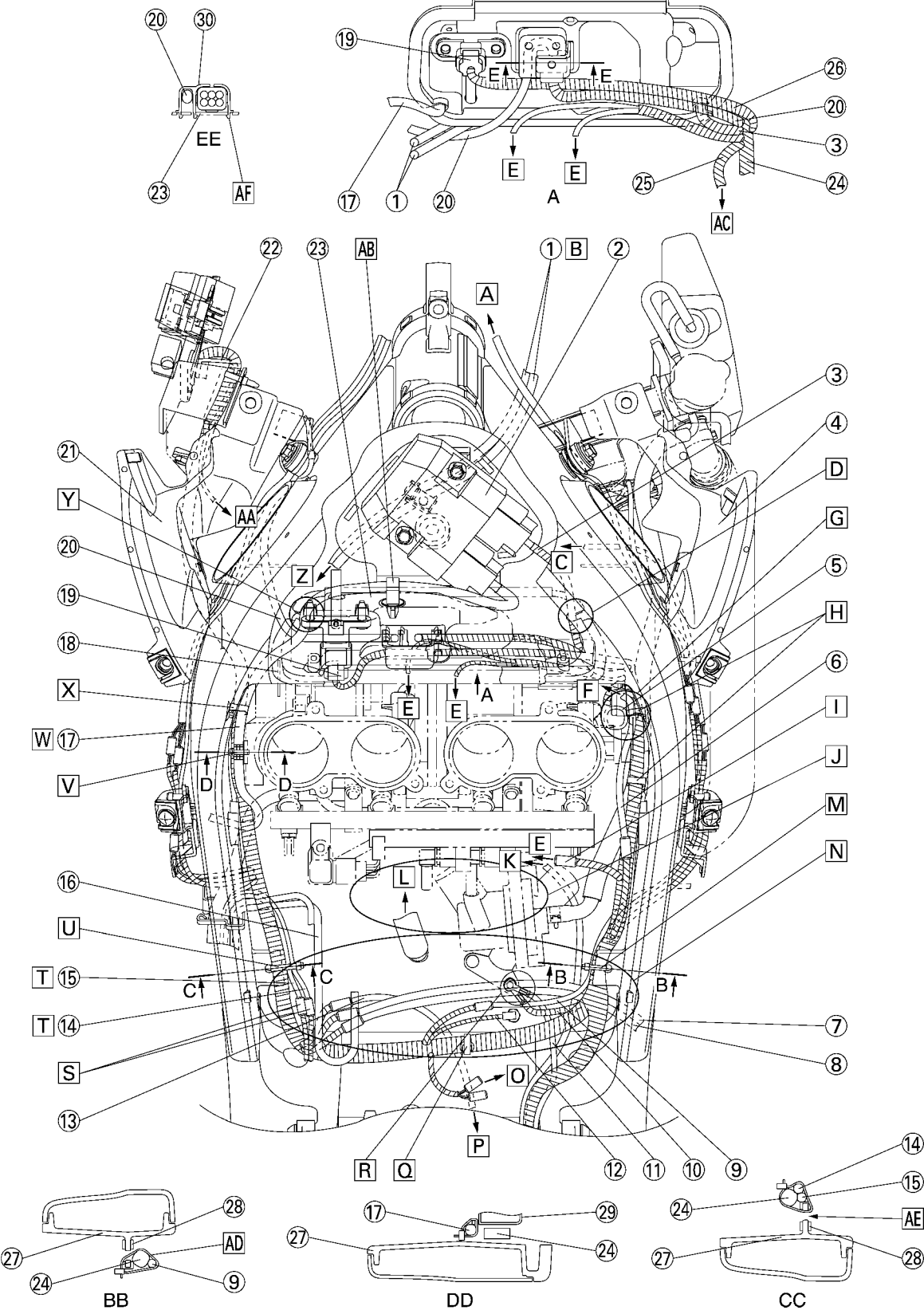
1. Wire harness
 2. Crankshaft position sensor lead
 3. Bracket
 4. Ignition coil lead
 5. Right handlebar switch lead
 6. Radiator fan motor lead
 7. Heat protector
 8. Right radiator fan motor lead
 9. Coolant reservoir tank
 10. Coolant reservoir drain hose
 11. Hose clamp
 12. O₂ sensor lead
 13. Rear brake light switch
 14. Protector
 15. Right intake air duct
 16. Right air outlet grille
 17. Cover
 18. Water hose
 19. Clutch cable
 20. Radiator stay guide
 21. Radiator
- A. Clamp it after passing between the frame and radiator stay.
Align the clamp position with the taping sections of right handlebar switch lead. Point the tip of the clamp (excessive part) to the front side of the vehicle.
Fasten the right handlebar switch lead with a clamp.
 - B. Pass the clutch cable through inside of the water hose.
Route the radiator fan motor lead by the outside of the clutch cable after routing it by the inner side of the water hose.
 - C. Route the coolant reservoir drain hose by the outside of the water hose after routing it by the inner side of the radiator cap mounting section.
 - D. Check that the radiator fan motor lead is fixed with the guide of the radiator stay.
 - E. Clamp so that the clamp top end is set along with the bottom end of the hose clamp.
Point the tip of the clamp (excessive part) to the front side of the vehicle.
Fasten the clutch cable with a clamp.
 - F. Clamp so that the coolant reservoir drain hose is positioned at the front side of the vehicle by aligning the protector end part of the coolant reservoir drain hose with the radiator bottom end.
Fasten the clutch cable and coolant reservoir drain hose with a clamp.
 - G. To the engine
 - H. Clamp the coolant reservoir drain hose to the lower side of the vehicle.
Fasten the clutch cable and coolant reservoir drain hose with a clamp.
 - I. 80 to 100 mm (3.15 to 3.94 in)
 - J. Cut the clamp tip leaving 2 to 4 mm (0.08 to 0.16 in).
 - K. Route the rear brake light switch lead by the outer side of the vehicle than the O₂ sensor lead and push it into the mating surface section of the clutch cover.
 - L. Point the tip of the clamp (excessive part) to the lower front side of the vehicle.
Fasten the right handlebar switch lead, radiator fan motor lead and ignition coil lead with a clamp.
 - M. Point the tip of the clamp (excessive part) to the upper side of the vehicle.
Fasten the right handlebar switch lead, radiator fan motor lead and ignition coil lead with a clamp.
 - N. Pass the right handlebar switch lead and radiator fan motor lead between the frame and heat protector.
 - O. Clamp so that there is no slack at the left side of the vehicle.
Fasten the air induction system solenoid lead, cylinder identification sensor lead, ignition coil lead and air induction system solenoid hose with a clamp.
 - P. The coupler for the air induction system solenoid lead and cylinder identification sensor lead should be connected above the ignition coil sub wire harness and it should not drop on the cylinder head cover behind the ignition coil.
 - Q. Clamp the clutch cable so that it is within this specified clamp (90°).
 - R. Route the lead to be positioned by the inner side of the vehicle than the tip of the clamp (excessive part.)
 - S. It should not enter the inner side of the vehicle than the radiator stay guide.

CABLE ROUTING



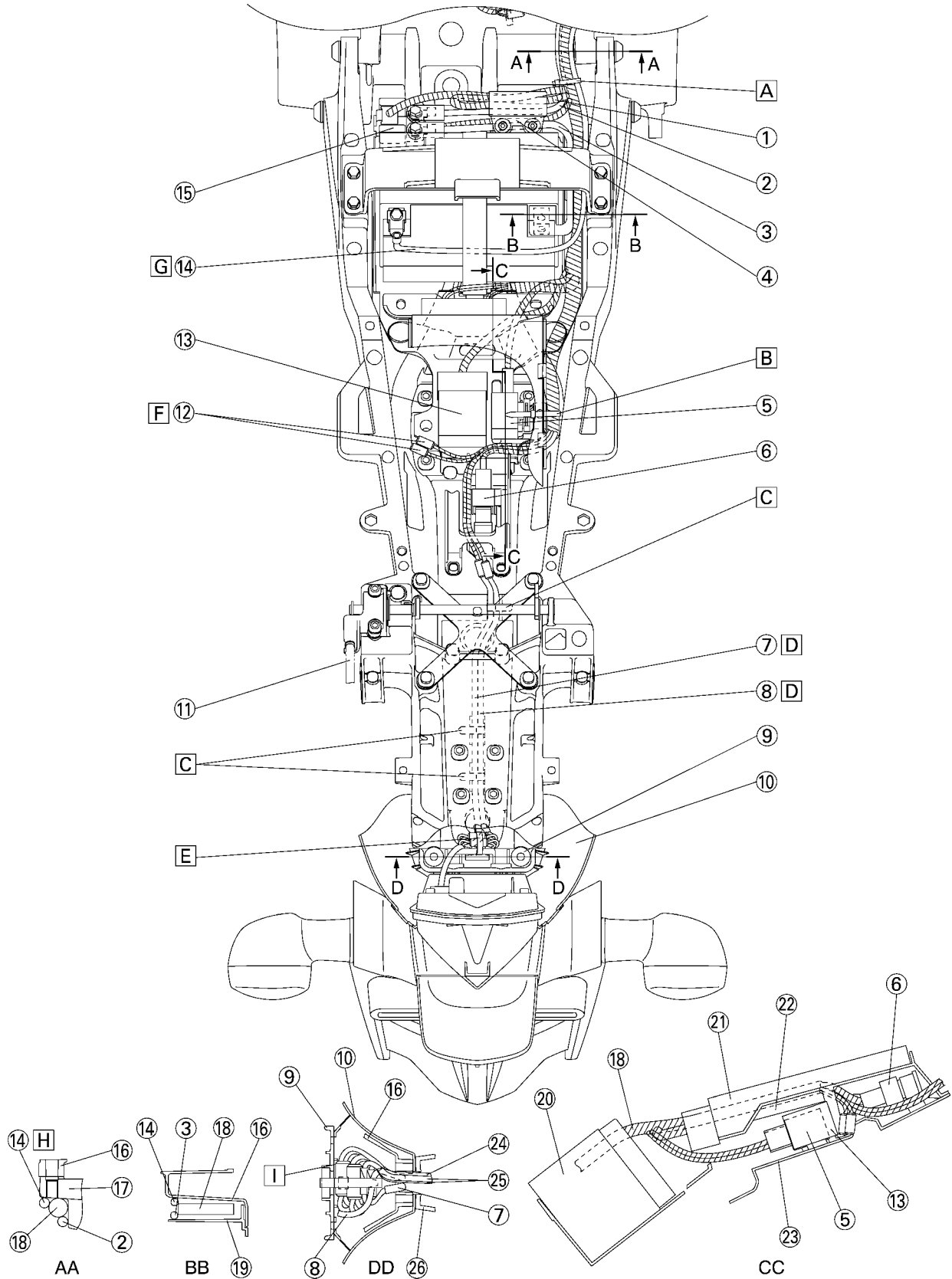
1. Left radiator fan motor lead
 2. Heat protector
 3. Immobilizer lead
 4. Left handlebar switch lead
 5. Main switch lead
 6. Bracket
 7. EXUP servo motor lead
 8. Cover
 9. Fuel tank drain hose and fuel tank breather hose
 10. Water pipe
 11. Sidestand switch lead
 12. Oil level switch lead
 13. AC magneto lead
 14. Headlight lead
 15. Fuse box stay
 16. Fuse box
 17. Wire harness
 18. Cover
 19. Left air outlet grille
 20. Left intake air duct
 21. Water hose
 22. Stay
 23. Fuel tank drain hose
 24. Fuel tank breather hose
 25. Chain case cover
 26. Intake air temperature sensor lead
 27. Headlight lead and left turn signal light lead
- A. Clamp the leads so that they are positioned inner of the vehicle than the washer position after routing them between the frame and radiator stay. Align the clamp position with the taping sections of leads. Point the tip of the clamp (excessive part) to the lower front side of the vehicle. What the clamp fastens at this stage are the handlebar switch, main switch and immobilizer leads.
 - B. Check that the radiator fan motor lead is fixed with the guide of the radiator stay.
 - C. Pass the main switch lead, left handlebar switch lead and immobilizer lead between the frame and the heat protector.
 - D. To the inside of the frame
 - E. Point the tip of the clamp (excessive part) to the lower front side of the vehicle. Fasten the left handlebar switch lead and main switch lead with a clamp.
 - F. Fold back the clamp and secure it after passing the lead through the clamp.
 - G. To the EXUP servo motor
 - H. Pass the fuel tank drain hose and fuel tank breather hose through the hole of the cover from the outside of the water pipe after passing the water hose through first. Any direction of the hose cut edge can be accepted
 - I. 40 to 60mm (1.57 to 2.36 in)
 - J. Route the sidestand switch lead by the inside of the water hose and water pipe.
 - K. Route the oil level switch lead by the inside of the water hose and water pipe.
 - L. There should be no exposure of bared conductors due to the displacement of the tube.
 - M. Route by the outside of vehicle away from the water hose.
 - N. Point the tip of the clamp (excessive part) to the front inside of the vehicle. Fasten the wire harness and left radiator fan motor lead with a clamp.
 - O. Align the clamp position with the taping sections of headlight lead. Point the tip of the clamp (excessive part) to the rear inside of the stay. Fasten the headlight lead, intake air temperature sensor lead and wire harness with a clamp.
 - P. To the intake air temperature sensor
 - Q. Point the tip of the clamp (excessive part) to the front inside of the vehicle. Fasten the wire harness and left radiator fan motor lead with a clamp.
 - R. Align the clamp position with the taping sections of wire harness. Point the tip of the clamp (excessive part) to the inside of the vehicle. Fasten the wire harness and left radiator fan motor lead with a clamp.
 - S. Route the water hose so that it is placed at the outermost position finally after routing other leads and hoses in the guide.
 - T. Align the molded part of the fuel tank drain hose and fuel tank breather hose with the stay.
 - U. Can be routed in any order.

CABLE ROUTING



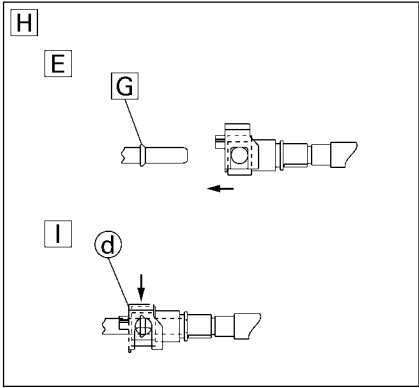
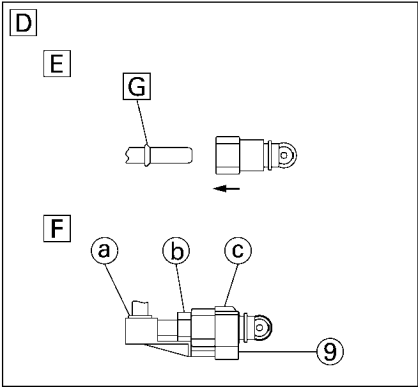
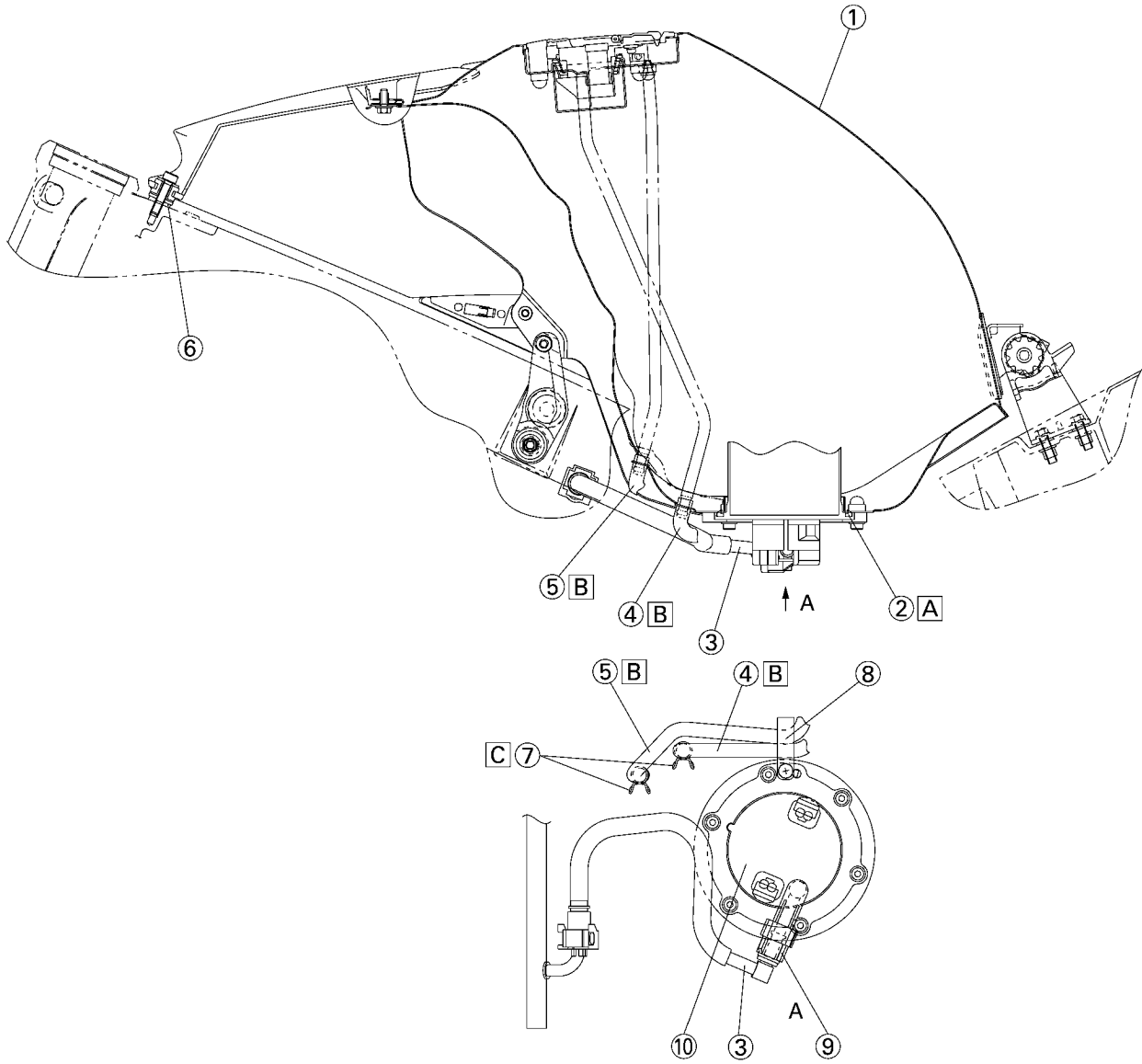
1. Throttle cables
 2. Rectifier/regulator
 3. Rectifier/regulator lead
 4. Right air outlet grille
 5. Air induction system solenoid hose
 6. Intake funnel servo motor lead
 7. O₂ sensor lead
 8. Rear brake light switch lead
 9. Crankshaft position sensor lead
 10. Engine ground lead
 11. Battery negative lead
 12. Neutral switch lead
 13. Speed sensor lead
 14. Oil level switch lead
 15. Sidestand switch lead
 16. Fuel tank drain hose
 17. AC magneto lead
 18. Pulley cover rib
 19. Atmospheric pressure sensor
 20. Immobilizer lead
 21. Left air outlet grille
 22. Left radiator fan motor lead
 23. Cover 2
 24. Wire harness
 25. Throttle position sensor (for throttle valves) lead
 26. Atmospheric pressure sensor lead
 27. Frame
 28. Locating damper
 29. Throttle body
 30. Connector housing
- A. To the right handlebar switch lead.
 - B. Pass it so that there is no torsion through the clamp which inserted to the cover.
 - C. To the engine
 - D. Pass the rectifier/regulator lead through the notch hole of the cover.
 - E. To the throttle body
 - F. To the intake funnel servo motor
 - G. Intake funnel servo motor lead should be routed by the front and outer side than the air induction system solenoid hose.
 - H. Clamp the wire harness winding in and insert it to the frame hole.
 - I. After connecting the coupler, make sure to insert it between the delivery pipe and thermostat.
 - J. For routing the fuel hoses, refer to the fuel tank section.
 - K. To the starter motor
 - L. To the air filter case
 - M. Point the tip of the clamp (cut the tip of the clamp leaving 2 to 4 mm (0.08 to 0.16 in.)) to the inside of the vehicle.
Fasten the wire harness and crankshaft position sensor lead with a clamp.
 - N. All hoses and leads should be routed over the vehicle's upper side above the heat protector.
 - O. To the fuel pump
 - P. To the speed sensor
 - Q. Clamp the wire harness winding in and insert it to the frame hole.
 - R. Install the leads so that the engine ground lead is positioned lower and the battery negative lead to be upper.
Install the protrusion of each lead to be above the vehicle.
 - S. It should not be positioned on the harness.
 - T. Route it under the wire harness, speed sensor lead, O₂ sensor lead and rear brake light switch lead.
 - U. Point the tip of the clamp (cut the tip of the clamp leaving 2 to 4 mm (0.08 to 0.16 in.)) to the inside of the vehicle.
Fasten the wire harness, oil level switch lead and sidestand switch lead with a clamp.
 - V. Align the clamp position with the taping sections
Point the tip of the clamp (cut the tip of the clamp leaving 2 to 4 mm (0.08 to 0.16 in.)) to the upper side of the vehicle.
Fasten the AC magneto lead with a clamp.
 - W. Route the AC magneto lead by the outside of the pulley cover rib.
 - X. Clamp the wire harness winding in and insert it to the frame hole.
 - Y. Pass the AC magneto lead through the notch hole of the cover 2.
 - Z. To the throttle cable lever
 - AA. To the radiator
 - AB. Clamp the AC magneto lead.
 - AC. To the throttle position sensor (for throttle valves)
 - AD. Route each lead lower than the frame plate.
Leads should be routed in random order.
Clamp can be inserted in any direction.
 - AE. Route each lead higher than the frame plate, pass it to the inside of the vehicle from the hole.
Leads should be routed in random order.
Clamp can be inserted in any direction.
 - AF. Fit the immobilizer lead coupler into the connector housing with its projection positioned as shown in the illustration, and then install the holder onto the cover 2.

CABLE ROUTING



1. Starter relay lead
 2. Starter motor lead
 3. Battery positive lead
 4. Lean angle sensor
 5. Turn signal relay
 6. Main fuse
 7. Turn signal light/license plate light lead
 8. Tail/brake light lead
 9. Tail/brake light bracket
 10. Lower tail cover
 11. Seat lock cable
 12. Anti safety alarm coupler
 13. Starting circuit cut-off relay
 14. Battery negative lead
 15. Starter relay
 16. Rear frame
 17. Rear arm bracket
 18. Wire harness
 19. Battery box 1
 20. Battery
 21. ECU (engine control unit)
 22. Cover
 23. Battery box 2
 24. License plate light lead
 25. Turn signal light lead
 26. Mud guard
- A. Point the tip of the clamp (excessive part) to the inner down side of the vehicle and clamp at the junction of the wire harness. Fasten the battery negative lead, wire harness and starter motor lead with a clamp.
 - B. Point the tip of the clamp (excessive part) to the inside of the vehicle. Fasten the wire harness with a clamp.
 - C. Hold down the clamp tips after passing each lead.
 - D. Insert the leads to the rear frame hole.
 - E. Insert the clamp from the vehicle front to the rear side and fasten each leads, coupler and onionhead to the tail/brake light bracket, and then point the tip of the clamp (excessive part) to the lower front side of the vehicle.
 - F. It should be set in the rear frame not to be caught in the sheet bottom or the covers.
 - G. Pass the battery negative lead through inside of the battery band.
 - H. Battery negative lead should not run on the rear arm bracket.
 - I. All leads should be positioned lower than the tail/brake light bracket.

CABLE ROUTING



1. Fuel tank
2. O-ring
3. Fuel hose
4. Fuel tank drain hose
5. Fuel tank breather hose
6. Air filter stay
7. Clip
8. Fuel tank bracket
9. Fuel hose clamp
10. Fuel pump assembly
 - A. Install the lip of O-ring facing upward.
 - B. Install the part pointing the white paint part of the hose to the left side of the vehicle.
 - C. Point the clip grip to the inside of the vehicle.
 - D. Fuel piping connector attachment directions. (fuel pump side)
Always use hands to connect/disconnect the connector without using tool.
 - E. Insert the connector until the click sound is heard and check that the connector does not come off.
Make sure that no foreign matter is caught in the sealing section.
(It is prohibited to wear the cotton work gloves or equivalent coverings.)
 - F. After item "E" mentioned above is finished, check that the clamp is inserted from the down side "a", "b" and "c" sections are perfectly equipped.
 - G. This part works as a dropout stopper.
 - H. Fuel piping connector attachment directions. (engine side)
Always use hands to connect/disconnect the connector without using tool.
 - I. After Step "H" as above is finished, check that the connector is completely attached by sliding the double lock (orange part) "d" on the connector as shown in the illustration and seeing if it touches firmly or not.

PERIODIC CHECKS AND ADJUSTMENTS

PERIODIC MAINTENANCE	3-1
INTRODUCTION	3-1
PERIODIC MAINTENANCE CHART FOR THE EMISSION CONTROL SYSTEM.....	3-1
GENERAL MAINTENANCE AND LUBRICATION CHART	3-1
ENGINE	3-4
ADJUSTING THE VALVE CLEARANCE	3-4
SYNCHRONIZING THE THROTTLE BODIES	3-7
ADJUSTING THE THROTTLE CABLE FREE PLAY	3-8
CHECKING THE SPARK PLUGS.....	3-9
MEASURING THE COMPRESSION PRESSURE	3-10
CHECKING THE ENGINE OIL LEVEL.....	3-11
CHANGING THE ENGINE OIL.....	3-11
MEASURING THE ENGINE OIL PRESSURE	3-13
ADJUSTING THE CLUTCH CABLE FREE PLAY	3-14
REPLACING THE AIR FILTER ELEMENT	3-14
CHECKING THE THROTTLE BODY JOINTS	3-15
CHECKING THE FUEL LINE	3-15
CHECKING THE CRANKCASE BREATHER HOSE	3-16
CHECKING THE EXHAUST SYSTEM	3-16
ADJUSTING THE EXUP CABLES	3-17
CHECKING THE EXUP SERVO MOTOR.....	3-18
CHECKING THE COOLANT LEVEL	3-18
CHECKING THE COOLING SYSTEM	3-19
CHANGING THE COOLANT	3-19
CHASSIS	3-22
ADJUSTING THE FRONT DISC BRAKE	3-22
ADJUSTING THE REAR DISC BRAKE	3-22
CHECKING THE BRAKE FLUID LEVEL	3-23
CHECKING THE FRONT BRAKE PADS.....	3-23
CHECKING THE REAR BRAKE PADS	3-24
CHECKING THE FRONT BRAKE HOSES.....	3-24
CHECKING THE REAR BRAKE HOSE	3-24
ADJUSTING THE REAR BRAKE LIGHT SWITCH	3-24
BLEEDING THE HYDRAULIC BRAKE SYSTEM.....	3-25
ADJUSTING THE SHIFT PEDAL	3-26
ADJUSTING THE DRIVE CHAIN SLACK	3-26
LUBRICATING THE DRIVE CHAIN.....	3-27
CHECKING AND ADJUSTING THE STEERING HEAD	3-27
CHECKING THE FRONT FORK	3-29
ADJUSTING THE FRONT FORK LEGS	3-29
ADJUSTING THE REAR SHOCK ABSORBER ASSEMBLY	3-31
CHECKING THE TIRES	3-32
CHECKING THE WHEELS	3-34
CHECKING AND LUBRICATING THE CABLES	3-34
LUBRICATING THE LEVERS.....	3-34
LUBRICATING THE PEDAL	3-35

LUBRICATING THE SIDESTAND.....	3-35
LUBRICATING THE REAR SUSPENSION	3-35

ELECTRICAL SYSTEM	3-36
CHECKING AND CHARGING THE BATTERY.....	3-36
CHECKING THE FUSES.....	3-36
REPLACING THE HEADLIGHT BULBS.....	3-36
ADJUSTING THE HEADLIGHT BEAMS	3-37

PERIODIC MAINTENANCE

EAS20450

PERIODIC MAINTENANCE

EAS20460

INTRODUCTION

This chapter includes all information necessary to perform recommended checks and adjustments. If followed, these preventive maintenance procedures will ensure more reliable vehicle operation, a longer service life and reduce the need for costly overhaul work. This information applies to vehicles already in service as well as to new vehicles that are being prepared for sale. All service technicians should be familiar with this entire chapter.

EAS4C81028

PERIODIC MAINTENANCE CHART FOR THE EMISSION CONTROL SYSTEM

NO.	ITEM	ROUTINE	INITIAL	ODOMETER READINGS					
			1000 km (600 mi) or 1 month	7000 km (4000 mi) or 6 months	13000 km (8000 mi) or 12 months	19000 km (12000 mi) or 18 months	25000 km (16000 mi) or 24 months	31000 km (20000 mi) or 30 months	
1	* Fuel line	<ul style="list-style-type: none"> Check fuel hoses for cracks or damage. Replace if necessary. 		√	√	√	√	√	√
2	* Spark plugs	<ul style="list-style-type: none"> Check condition. Adjust gap and clean. Replace every 13000 km (8000 mi) or 12 months. 		√	Replace.	√	Replace.	√	√
3	* Valve clearance	<ul style="list-style-type: none"> Check and adjust valve clearance when engine is cold. 	Every 42000 km (26600 mi)						
4	* Crankcase breather system	<ul style="list-style-type: none"> Check breather hose for cracks or damage. Replace if necessary. 		√	√	√	√	√	√
5	* Fuel injection	<ul style="list-style-type: none"> Adjust synchronization. 		√	√	√	√	√	√
6	* Exhaust system	<ul style="list-style-type: none"> Check for leakage. Tighten if necessary. Replace gasket(s) if necessary. 		√	√	√	√	√	√
7	* Air induction system	<ul style="list-style-type: none"> Check the air cut-off valve, reed valve, and hose for damage. Replace any damaged parts if necessary. 				√			√

* Since these items require special tools, data and technical skills, have a Yamaha dealer perform the service.

EAS4C81029

GENERAL MAINTENANCE AND LUBRICATION CHART

NO.	ITEM	ROUTINE	INITIAL	ODOMETER READINGS					
			1000 km (600 mi) or 1 month	7000 km (4000 mi) or 6 months	13000 km (8000 mi) or 12 months	19000 km (12000 mi) or 18 months	25000 km (16000 mi) or 24 months	31000 km (20000 mi) or 30 months	
1	* Air filter element	<ul style="list-style-type: none"> Check condition and damage. Replace if necessary. 		√	√	√	√	√	√
2	* Clutch	<ul style="list-style-type: none"> Check operation. Adjust or replace cable. 	√	√	√	√	√	√	√
3	* Front brake	<ul style="list-style-type: none"> Check operation, fluid level, and for fluid leakage. Replace brake pads if necessary. 	√	√	√	√	√	√	√
4	* Rear brake	<ul style="list-style-type: none"> Check operation, fluid level, and for fluid leakage. Replace brake pads if necessary. 	√	√	√	√	√	√	√
5	* Brake hoses	<ul style="list-style-type: none"> Check for cracks or damage. Replace. 		√	√	√	√	√	√
			Every 4 years						

PERIODIC MAINTENANCE

NO.	ITEM	ROUTINE	INITIAL	ODOMETER READINGS					
			1000 km (600 mi) or 1 month	7000 km (4000 mi) or 6 months	13000 km (8000 mi) or 12 months	19000 km (12000 mi) or 18 months	25000 km (16000 mi) or 24 months	31000 km (20000 mi) or 30 months	
6	* Wheels	<ul style="list-style-type: none"> • Check runout and for damage. • Replace if necessary. 		√	√	√	√	√	√
7	* Tires	<ul style="list-style-type: none"> • Check tread depth and for damage. • Replace if necessary. • Check air pressure. • Correct if necessary. 		√	√	√	√	√	√
8	* Wheel bearings	<ul style="list-style-type: none"> • Check bearings for smooth operation. • Replace if necessary. 		√	√	√	√	√	√
9	* Swingarm pivot bearings	<ul style="list-style-type: none"> • Check bearing assemblies for looseness. • Moderately repack with lithium soap-based grease. 			√			Repack.	
10	Drive chain	<ul style="list-style-type: none"> • Check chain slack, alignment and condition. • Adjust and lubricate chain with a special O-ring chain lubricant thoroughly. 	Every 800 km (500 mi) and after washing the motorcycle or riding in the rain						
11	* Steering bearings	<ul style="list-style-type: none"> • Check bearing assemblies for looseness. • Moderately repack with lithium soap-based grease every 16000 mi (25000 km) or 24 months. 	√	√	√	√	Repack.	√	
12	* Steering damper	<ul style="list-style-type: none"> • Check operation and for oil leakage. 		√	√	√	√	√	√
13	* Chassis fasteners	<ul style="list-style-type: none"> • Check all chassis fitting and fasteners. • Correct if necessary. 		√	√	√	√	√	√
14	Brake and clutch lever pivot shafts	<ul style="list-style-type: none"> • Apply lithium-soap-based grease (all-purpose grease) lightly. 		√	√	√	√	√	√
15	Shift pedal rod pivots	<ul style="list-style-type: none"> • Apply lithium-soap-based grease (all-purpose grease) lightly. 		√	√	√	√	√	√
16	Sidestand pivot	<ul style="list-style-type: none"> • Check operation. • Apply lithium-soap-based grease (all-purpose grease) lightly. 		√	√	√	√	√	√
17	* Sidestand switch	<ul style="list-style-type: none"> • Check operation and replace if necessary. 	√	√	√	√	√	√	√
18	* Front fork	<ul style="list-style-type: none"> • Check operation and for oil leakage. • Replace if necessary. 		√	√	√	√	√	√
19	* Shock absorber assembly	<ul style="list-style-type: none"> • Check operation and for oil leakage. • Replace if necessary. 		√	√	√	√	√	√
20	* Rear suspension link pivots	<ul style="list-style-type: none"> • Check operation. • Correct if necessary. 			√		√		
21	Engine oil	<ul style="list-style-type: none"> • Change (warm engine before draining). 	√	√	√	√	√	√	√
22	* Engine oil filter cartridge	<ul style="list-style-type: none"> • Replace. 	√		√		√		
23	* Cooling system	<ul style="list-style-type: none"> • Check hoses for cracks or damage. • Replace if necessary. 		√	√	√	√	√	√
		<ul style="list-style-type: none"> • Change with ethylene glycol antifreeze coolant every 24 months. 					Change.		

PERIODIC MAINTENANCE

NO.	ITEM	ROUTINE	INITIAL	ODOMETER READINGS					
			1000 km (600 mi) or 1 month	7000 km (4000 mi) or 6 months	13000 km (8000 mi) or 12 months	19000 km (12000 mi) or 18 months	25000 km (16000 mi) or 24 months	31000 km (20000 mi) or 30 months	
24	* EXUP system	• Check operation, cable free play and pulley position.	√	Every 19000 km (12000 mi)					
25	* Front and rear brake switches	• Check operation.	√	√	√	√	√	√	√
26	* Control cables	• Apply Yamaha chain and cable lube or engine oil SAE 10W-30 thoroughly.	√	√	√	√	√	√	√
27	* Throttle grip housing and cable	• Check operation and free play. • Adjust the throttle cable free play if necessary. • Lubricate the throttle grip housing and cable.		√	√	√	√	√	√
28	* Lights, signals and switches	• Check operation. • Adjust headlight beam.	√	√	√	√	√	√	√

* Since these items require special tools, data and technical skills, have a Yamaha dealer perform the service.

NOTE:

From 37000 km (24000 mi) or 36 months, repeat the maintenance intervals starting from 13000 km (8000 mi) or 12 months.

NOTE:

- Air filter
 - This model's air filter is equipped with a disposable oil-coated paper element, which must not be cleaned with compressed air to avoid damaging it.
 - The air filter element needs to be replaced more frequently when riding in unusually wet or dusty areas.
- Hydraulic brake service
 - After disassembling the brake master cylinders and calipers, always change the fluid. Regularly check the brake fluid levels and fill the reservoirs as required.
 - Every two years replace the internal components of the brake master cylinders and calipers, and change the brake fluid.
 - Replace the brake hoses every four years and if cracked or damaged.

EAS20470

ENGINE

EAS20490

ADJUSTING THE VALVE CLEARANCE

The following procedure applies to all of the valves.

NOTE: _____

- Valve clearance adjustment should be made on a cold engine, at room temperature.
- When the valve clearance is to be measured or adjusted, the piston must be at top dead center (TDC) on the compression stroke.

1. Remove:

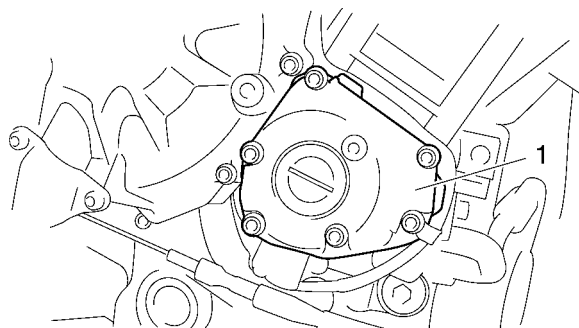
- Rider seat
Refer to "GENERAL CHASSIS" on page 4-1.
- Fuel tank
Refer to "FUEL TANK" on page 7-1.
- Air filter case
Refer to "GENERAL CHASSIS" on page 4-1.
- Lower cowlings
- Side cowlings
Refer to "GENERAL CHASSIS" on page 4-1.
- Throttle body assembly
Refer to "THROTTLE BODIES" on page 7-4.
- Air cut-off valve
Refer to "AIR INDUCTION SYSTEM" on page 7-9.
- Radiator
- Radiator fan motor
Refer to "RADIATOR" on page 6-1.

2. Remove:

- Ignition coils
- Spark plugs
- Cylinder head cover
- Cylinder head cover gasket
Refer to "CAMSHAFTS" on page 5-9.

3. Remove:

- Pickup rotor cover "1"



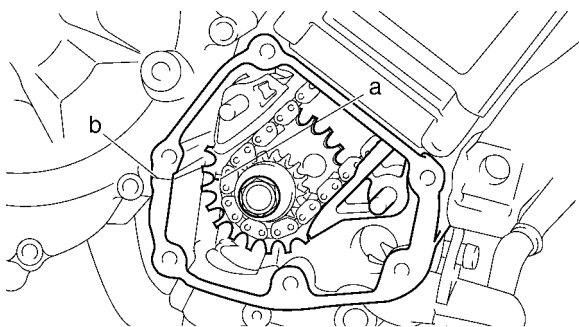
4. Measure:

- Valve clearance
Out of specification → Adjust.

	Valve clearance (cold)
	Intake
	0.11–0.20 mm (0.0043–0.0079 in)
	Exhaust
	0.26–0.30 mm (0.0102–0.0118 in)



- a. Turn the crankshaft counterclockwise.
- b. When piston #1 is at TDC on the compression stroke, align the TDC mark "a" on the generator rotor with the mark "b" on the crankcase.



NOTE: _____

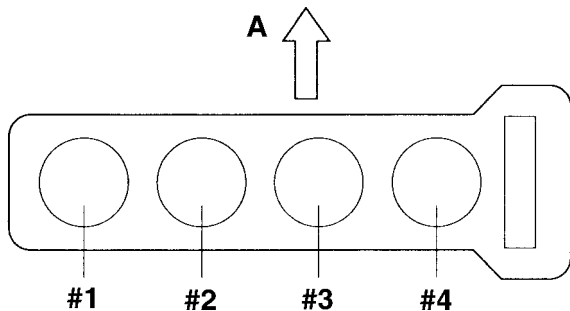
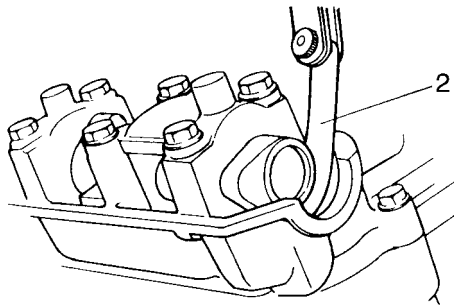
TDC on the compression stroke can be found when the camshaft lobes are turned away from each other.

- c. Measure the valve clearance with a thickness gauge "2".

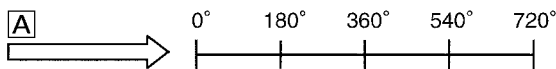
NOTE: _____

- If the valve clearance is incorrect, record the measured reading.
- Measure the valve clearance in the following sequence.

Valve clearance measuring sequence
Cylinder #1 → #2 → #4 → #3



- A. Front
d. To measure the valve clearances of the other cylinders, starting with cylinder #1 at TDC, turn the crankshaft counterclockwise as specified in the following table.



B	#1	C			
	#2		C		
	#3				C
	#4			C	

- A. Degrees that the crankshaft is turned counterclockwise
B. Cylinder
C. Combustion cycle

Cylinder #2	180°
Cylinder #4	360°
Cylinder #3	540°

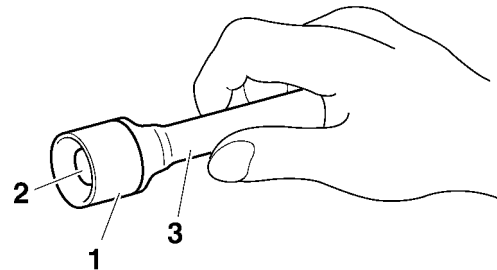
5. Remove:
• Camshafts

NOTE:
• Refer to "CAMSHAFTS" on page 5-9.

- When removing the timing chain and camshafts, fasten the timing chain with a wire to retrieve it if it falls into the crankcase.

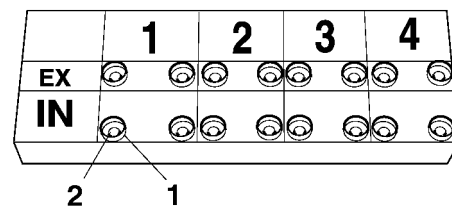
6. Adjust:
• Valve clearance

- a. Remove the valve lifter "1" and the valve pad "2" with a valve lapper "3".



Valve lapper
90890-04101
Valve lapping tool
YM-A8998

- NOTE:**
• Cover the timing chain opening with a rag to prevent the valve pad from falling into the crankcase.
• Make a note of the position of each valve lifter "1" and valve pad "2" so that they can be installed in the correct place.

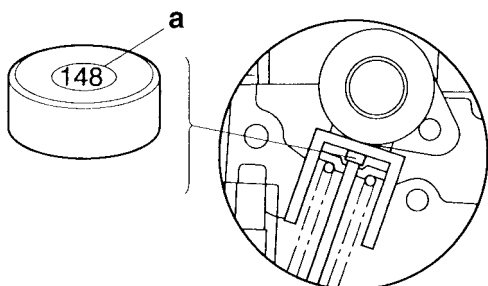


- b. Select the proper valve pad from the following table.

Valve pad range	Nos. 156–240
Valve pad thickness	1.56–2.40 mm (0.0614–0.0945 in)
Available valve pads	25 thicknesses in 0.05 mm (0.002 in) increments

NOTE:

- The thickness “a” of each valve pad is marked in hundredths of millimeters on the side that touches the valve lifter.
- Since valve pads of various sizes are originally installed, the valve pad number must be rounded in order to reach the closest equivalent to the original.



c. Round off the original valve pad number according to the following table.

Last digit	Rounded value
0 or 2	0
5	5
8	10

EXAMPLE:

Original valve pad number = 148 (thickness = 1.48 mm (0.058 in))

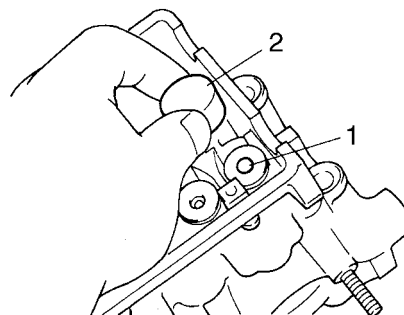
Rounded value = 150

d. Locate the rounded number of the original valve pad and the measured valve clearance in the valve pad selection table. The point where the column and row intersect is the new valve pad number.

NOTE:

The new valve pad number is only an approximation. The valve clearance must be measured again and the above steps should be repeated if the measurement is still incorrect.

e. Install the new valve pad “1” and the valve lifter “2”.



NOTE:

- Lubricate the valve pad with molybdenum disulfide grease.
- Lubricate the valve lifter with molybdenum disulfide oil.
- The valve lifter must turn smoothly when rotated by hand.
- Install the valve lifter and the valve pad in the correct place.

f. Install the exhaust and intake camshafts, timing chain and camshaft caps.

	Camshaft cap bolt 10 Nm (1.0 m·kg, 7.2 ft·lb)
--	--

NOTE:

- Refer to "CAMSHAFTS" on page 5-9.
- Lubricate the camshaft bearings, camshaft lobes and camshaft journals.
- First, install the exhaust camshaft.
- Align the camshaft marks with the camshaft cap marks.
- Turn the crankshaft counterclockwise several full turns to seat the parts.

g. Measure the valve clearance again.

h. If the valve clearance is still out of specification, repeat all of the valve clearance adjustment steps until the specified clearance is obtained.



7. Install:

- All removed parts

NOTE:

For installation, reverse the removal procedure. Note the following points.

EAS20570

SYNCHRONIZING THE THROTTLE BODIES

NOTE:

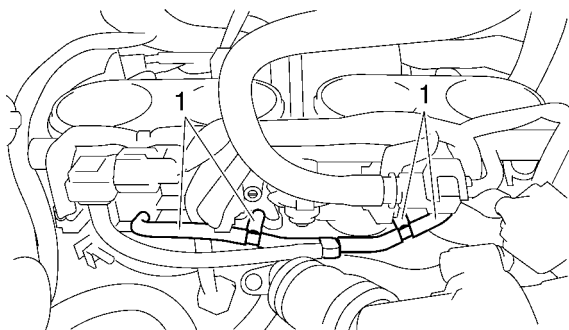
Prior to synchronizing the throttle bodies, the valve clearance should be properly adjusted and the ignition timing should be checked.

1. Stand the vehicle on a level surface.

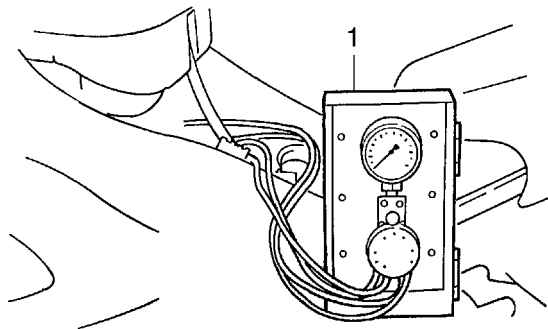
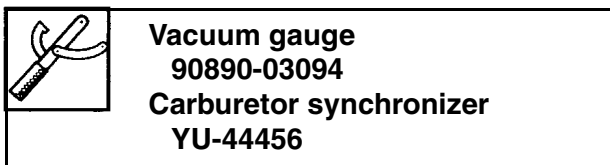
NOTE:

Place the vehicle on a suitable stand.

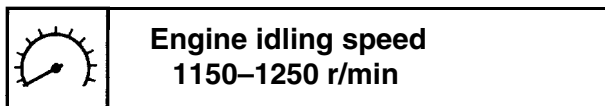
2. Remove:
 - Rider seat
Refer to "GENERAL CHASSIS" on page 4-1.
 - Fuel tank side covers
 - Fuel tank
Refer to "FUEL TANK" on page 7-1.
 - Air filter case
Refer to "GENERAL CHASSIS" on page 4-1.
3. Remove:
 - Synchronizing hoses "1"



4. Install:
 - Vacuum gauge "1"
(onto the synchronizing hose)



5. Install:
 - Fuel tank
Refer to "FUEL TANK" on page 7-1.
6. Start the engine and let it warm up for several minutes.
7. Check:
 - Engine idling speed

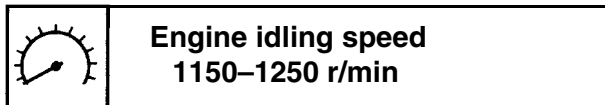


8. Adjust:
 - Throttle body synchronization

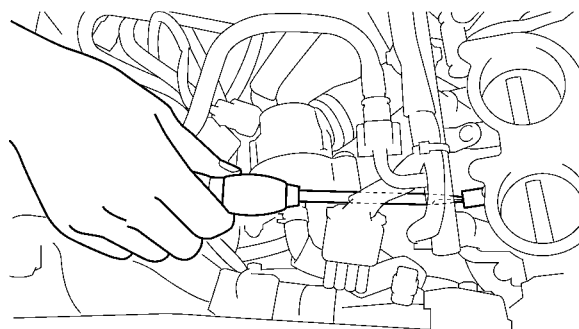
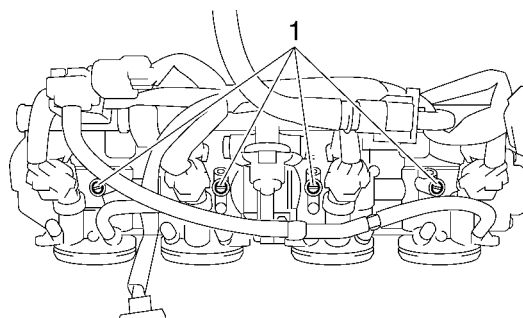


Basic procedure

- a. Start the engine, warm it up for several minutes, and then let it run at the specified engine idling speed.



- b. Turn the bypass air screw "1" with a white paint mark out a little, and then turn it in fully.



- c. Using the throttle body that has the bypass air screw with a white paint mark as the standard, turn the bypass air screws without white paint marks in or out to adjust the other throttle bodies.

NOTE:

- If more than one throttle body has a bypass air screw with a white paint mark, use the one with the lowest vacuum pressure as the standard.
- After each step, rev the engine two or three times, each time for less than a second, and check the synchronization again.
- If an air screw was removed, turn the screw 3/4 turn in and be sure to synchronize the throttle body.



Intake vacuum
22.0 kPa (6.5 inHg) (165 mmHg)

NOTE:

- The difference in vacuum pressure between two throttle bodies should not exceed 1.33 kPa (10 mmHg).
- If you are unable to adjust the throttle body synchronization using this procedure, use the following procedure instead.

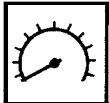


Alternate procedure

NOTE:

Use this alternate procedure if you are unable to adjust the throttle body synchronization using the basic procedure.

- Start the engine, warm it up for several minutes, and then let it run at the specified engine idling speed.



Engine idling speed
1150–1250 r/min

- Turn all of the bypass air screws in fully.
- Using the throttle body with the lowest vacuum pressure as the standard, turn out the bypass air screws of the other throttle bodies to adjust them.

NOTE:

- Do not turn out the bypass air screw of the throttle body with the lowest vacuum pressure.
- After each step, rev the engine two or three times, each time for less than a second, and check the synchronization again.

- If an air screw was removed, turn the screw 3/4 turn in and be sure to synchronize the throttle body.



Intake vacuum
22.0 kPa (6.5 inHg) (165 mmHg)

NOTE:

The difference in vacuum pressure between two throttle bodies should not exceed 1.33 kPa (10 mmHg).



- Stop the engine and remove the measuring equipment.
- Adjust:
 - Throttle cable free play
Refer to "ADJUSTING THE THROTTLE CABLE FREE PLAY" on page 3-8.



Throttle cable free play
3.0–5.0 mm (0.12–0.20 in)

- Install:
 - Fuel tank
 - Fuel tank side cover
Refer to "FUEL TANK" on page 7-1.
 - Rider seat
Refer to "GENERAL CHASSIS" on page 4-1.

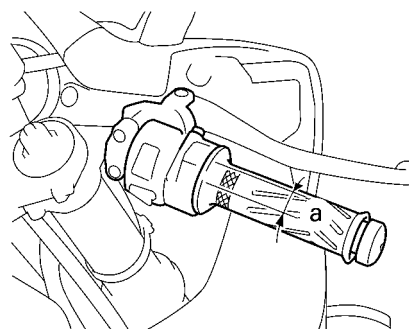
EAS20630

ADJUSTING THE THROTTLE CABLE FREE PLAY

NOTE:

Prior to adjusting the throttle cable free play, the carburetor synchronization should be adjusted properly.

- Check:
 - Throttle cable free play "a"
Out of specification → Adjust.





Throttle cable free play
3.0–5.0 mm (0.12–0.20 in)

2. Adjust:
 - Throttle cable free play

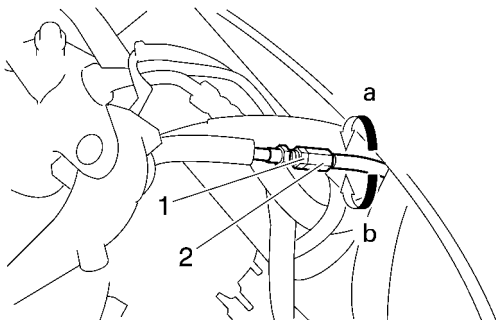


Handlebar side

- a. Loosen the locknut "1".
- b. Turn the adjusting nut "2" in direction "a" or "b" until the specified throttle cable free play is obtained.

Direction "a"
Throttle cable free play is increased.
Direction "b"
Throttle cable free play is decreased.

- c. Tighten the locknut "1".



EWA4C81006



After adjusting the throttle cable free play, start the engine and turn the handlebars to the right and to the left to ensure that this does not cause the engine idling speed to change.



EAS20680

CHECKING THE SPARK PLUGS

The following procedure applies to all of the spark plugs.

1. Remove:
 - Side cowlings
 - Lower cowlings
 Refer to "GENERAL CHASSIS" on page 4-1.
2. Remove:
 - Radiator upper bolts
 - Radiator lower bolt
 Refer to "RADIATOR" on page 6-1.
3. Disconnect:
 - Ignition coils

4. Remove:
 - Spark plugs

ECA13320

CAUTION:

Before removing the spark plugs, blow away any dirt accumulated in the spark plug wells with compressed air to prevent it from falling into the cylinders.

5. Check:
 - Spark plug type
 Incorrect → Change.

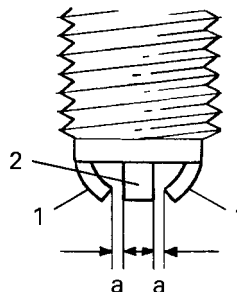


Manufacturer/model
NGK/CR9EK

6. Check:
 - Electrode "1"
 Damage/wear → Replace the spark plug.
 - Insulator "2"
 Abnormal color → Replace the spark plug.
Normal color is medium-to-light tan.
7. Clean:
 - Spark plugs
 (with a spark plug cleaner or wire brush)
8. Measure:
 - Spark plug gap "a"
 (with a wire thickness gauge)
Out of specification → Regap.



Spark plug gap
0.6–0.7 mm (0.024–0.028 in)



9. Install:
 - Spark plugs
 - Ignition coils

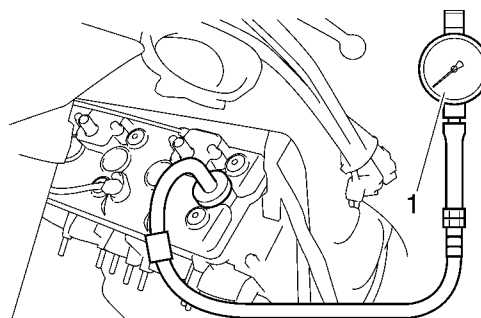


Spark plug
13 Nm (1.3 m·kg, 9.4 ft·lb)

NOTE:

Before installing the spark plug, clean the spark plug and gasket surface.

10. Install:
 - Radiator upper bolts
 - Radiator lower bolt
 Refer to "RADIATOR" on page 6-1.
11. Install:
 - Side cowlings
 - Lower cowlings
 Refer to "GENERAL CHASSIS" on page 4-1.



EAS20710

MEASURING THE COMPRESSION PRESSURE

The following procedure applies to all of the cylinders.

NOTE:

Insufficient compression pressure will result in a loss of performance.

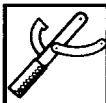
1. Measure:
 - Valve clearance
 Out of specification → Adjust.
 Refer to "ADJUSTING THE VALVE CLEARANCE" on page 3-4.
2. Start the engine, warm it up for several minutes, and then turn it off.
3. Disconnect:
 - Ignition coils
4. Remove:
 - Ignition coils
 - Spark plugs

ECA13340

CAUTION:

Before removing the spark plugs, use compressed air to blow away any dirt accumulated in the spark plug wells to prevent it from falling into the cylinders.

5. Install:
 - Compression gauge "1"
 - Extension



Compression gauge
90890-03081
Engine compression tester
YU-33223
Extension
90890-04136

6. Measure:
 - Compression pressure
 Out of specification → Refer to steps (c) and (d).



Standard compression pressure (at sea level)

1480 kPa/350 r/min (210.5 psi/350 r/min)
(14.8 kgf/cm²/350 r/min)

Minimum–Maximum

1290–1660 kPa (183.5–236.1 psi)
(12.9–16.6 kgf/cm²)

- a. Set the main switch to "ON".
- b. With the throttle wide open, crank the engine until the reading on the compression gauge stabilizes.

EWA4C81007

WARNING

To prevent sparking, ground all speak plug leads before cranking the engine.

NOTE:


The difference in compression pressure between cylinders should not exceed 100 kPa (1 kg/cm², 14 psi).

- c. If the compression pressure is above the maximum specification, check the cylinder head, valve surfaces and piston crown for carbon deposits.
 Carbon deposits → Eliminate.
- d. If the compression pressure is below the minimum specification, pour a teaspoonful of engine oil into the spark plug bore and measure again.
 Refer to the following table.

Compression pressure (with oil applied into the cylinder)	
Reading	Diagnosis
Higher than without oil	Piston ring(s) wear or damage → Repair.
Same as without oil	Piston, valves, cylinder head gasket or piston possibly defective → Repair.



7. Install:
- Spark plugs
 - Ignition coils

	<p>Spark plug 13 Nm (1.3 m·kg, 9.4 ft·lb)</p>
---	--

8. Connect:
- Ignition coils

EAS20730

CHECKING THE ENGINE OIL LEVEL

1. Stand the vehicle on a level surface.

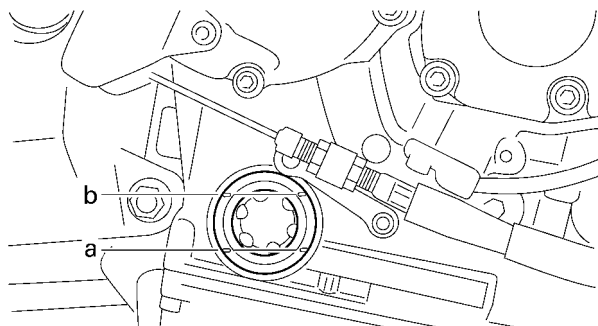
NOTE: _____


- Place the vehicle on a suitable stand.
- Make sure the vehicle is upright.

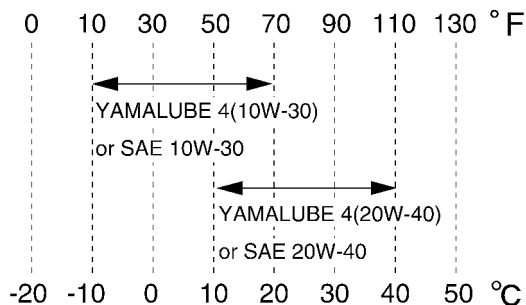
2. Start the engine, warm it up for several minutes, and then turn it off.

3. Check:

- Engine oil level
The engine oil level should be between the minimum level mark "a" and maximum level mark "b".
Below the minimum level mark → Add the recommended engine oil to the proper level.



	<p>Type YAMALUBE 4, SAE 10W30 or SAE 20W40 Recommended engine oil grade API service, SG type or higher, JASO standard MA</p>
---	--



ECA13360

CAUTION: _____

- Engine oil also lubricates the clutch and the wrong oil types or additives could cause clutch slippage. Therefore, do not add any chemical additives.
- Do not allow foreign materials to enter the crankcase.

4. Start the engine, warm it up for several minutes, and then turn it off.
5. Check the engine oil level again.

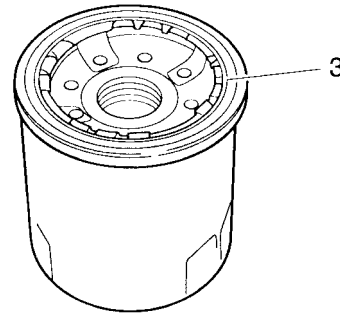
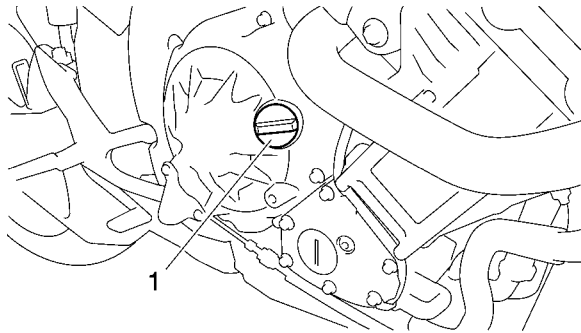
NOTE: _____

Before checking the engine oil level, wait a few minutes until the oil has settled.

EAS20790

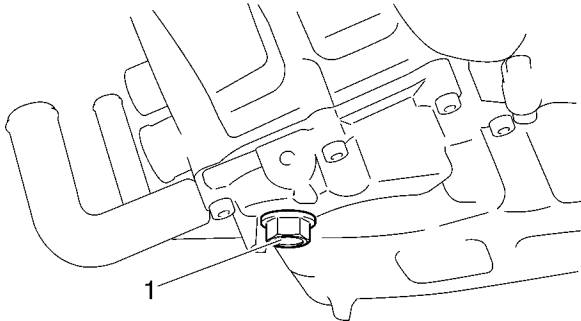
CHANGING THE ENGINE OIL

1. Start the engine, warm it up for several minutes, and then turn it off.
2. Place a container under the engine oil drain bolt.
3. Remove:
 - Lower cowlings
Refer to "GENERAL CHASSIS" on page 4-1.
4. Remove:
 - Engine oil filler cap "1"
 - Engine oil drain bolt "2" (along with the gasket)



11730302

c. Tighten the new oil filter cartridge to specification with an oil filter wrench.



Oil filter cartridge
17 Nm (1.7 m·kg, 12 ft·lb)



7. Check:

- Engine oil drain bolt gasket **New**

8. Install:

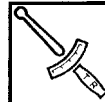
- Engine oil drain bolt
(along with the gasket)

5. Drain:

- Engine oil
(completely from the crankcase)
6. If the oil filter cartridge is also to be replaced, perform the following procedure.



a. Remove the oil filter cartridge “1” with an oil filter wrench “2”.



Engine oil drain bolt
43 Nm (4.3 m·kg, 31 ft·lb)

9. Fill:

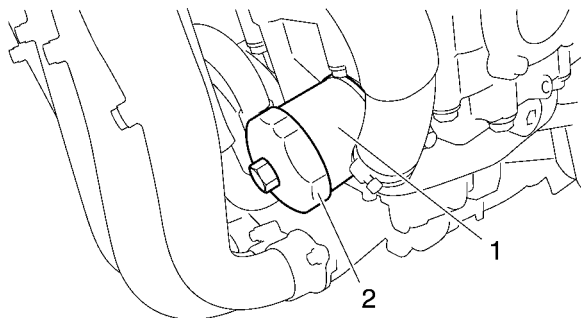
- Crankcase
(with the specified amount of the recommended engine oil)



Oil filter wrench
90890-01426
YU-38411



Engine oil quantity
Total amount
3.83 L (4.05 US qt) (3.37 Imp.qt)
Without oil filter cartridge replacement
2.90 L (3.07 US qt) (2.55 Imp.qt)
With oil filter cartridge replacement
3.10 L (3.28 US qt) (2.73 Imp.qt)



b. Lubricate the O-ring “3” of the new oil filter cartridge with a thin coat of engine oil.

ECA13390

CAUTION:

Make sure the O-ring “3” is positioned correctly in the groove of the oil filter cartridge.

10. Install:

- Engine oil filler cap
- Lower cowlings
Refer to "GENERAL CHASSIS" on page 4-1.

11. Start the engine, warm it up for several minutes, and then turn it off.

12. Check:

- Engine
(for engine oil leaks)

13. Check:

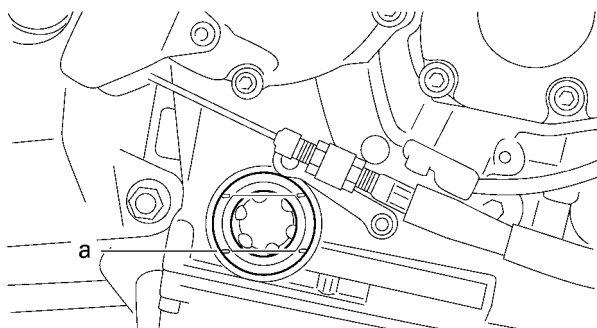
- Engine oil level
Refer to "CHECKING THE ENGINE OIL LEVEL" on page 3-11.

EAS20820

MEASURING THE ENGINE OIL PRESSURE

1. Check:

- Engine oil level
Below the minimum level mark "a" → Add the recommended engine oil to the proper level.



2. Start the engine, warm it up for several minutes, and then turn it off.

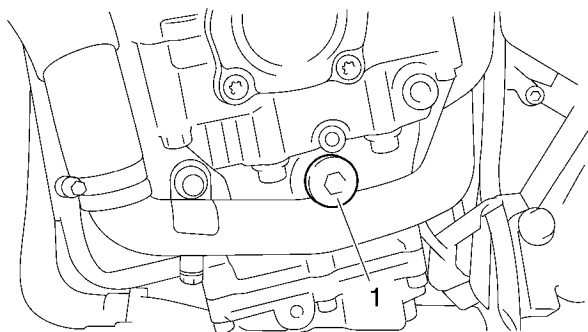
ECA13410

CAUTION:

When the engine is cold, the engine oil will have a higher viscosity, causing the engine oil pressure to increase. Therefore, be sure to measure the engine oil pressure after warming up the engine.

3. Remove:

- Main gallery bolt "1"



EWA12980

WARNING

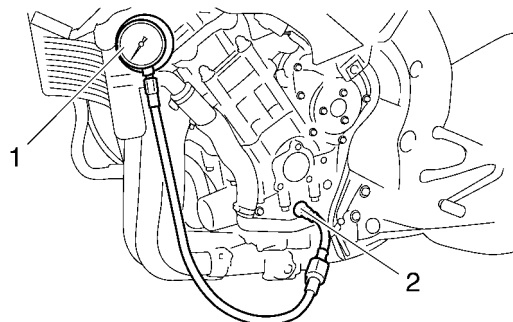
The engine, muffler and engine oil are extremely hot.

4. Install:

- Oil pressure gauge "1"
- Adapter "2"



Pressure gauge
90890-03153
YU-03153
Oil pressure adapter H
90890-03139



5. Measure:

- Engine oil pressure
(at the following conditions)
Out of specification → Adjust.



Engine oil pressure
230 kPa (2.3 psi) (32.71 kgf/cm²)
Engine speed
Approx 5000r/min
Oil temperature
80.0–90.0 °C (176.00–194.00 °F)

Engine oil pressure	Possible causes
Below specification	<ul style="list-style-type: none"> • Faulty oil pump • Clogged oil filter • Leaking oil passage • Broken or damaged oil seal
Above specification	<ul style="list-style-type: none"> • Leaking oil passage • Faulty oil filter • Oil viscosity too high

6. Install:

- Main gallery bolt



Main gallery bolt
8 Nm (0.8 m·kg, 5.8 ft·lb)

ECA4C81014

CAUTION:

Be careful to tighten too much.

EAS20870

ADJUSTING THE CLUTCH CABLE FREE PLAY

1. Check:
 - Clutch cable free play "a"
 - Out of specification → Adjust.



Clutch lever free play
10.0–15.0 mm (0.39–0.59 in)

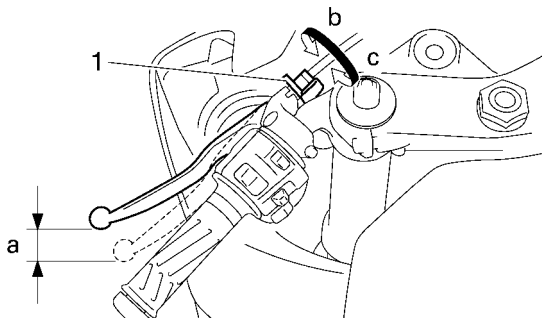
2. Adjust:
 - Clutch cable free play

Handlebar side

- a. Turn the adjusting bolt "1" in direction "b" or "c" until the specified clutch cable free play is obtained.

Direction "b"
Clutch cable free play is increased.
Direction "c"
Clutch cable free play is decreased.

- b. Tighten the locknut "1".



NOTE:

If the specified clutch cable free play cannot be obtained on the handlebar side of the cable, use the adjusting nut on the engine side.

Engine side

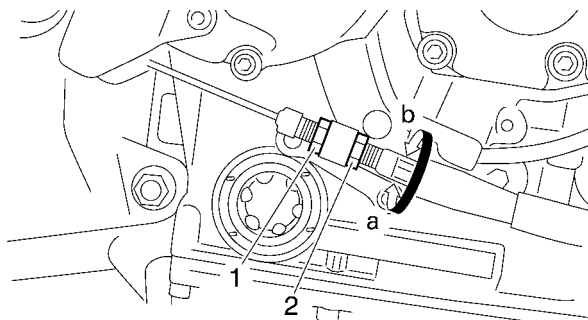
- a. Loosen the locknuts "1".
- b. Turn the adjusting bolt "2" in direction "a" or "b" until the specified clutch cable free play is obtained.

Direction "a"
Clutch cable free play is increased.
Direction "b"
Clutch cable free play is decreased.



Locknut
7 Nm (0.7 m·kg, 5.1 ft·lb)

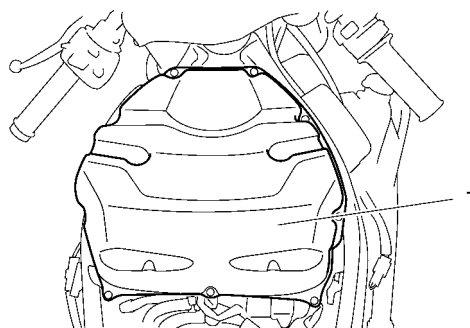
- c. Tighten the locknuts "1".



EAS20960

REPLACING THE AIR FILTER ELEMENT

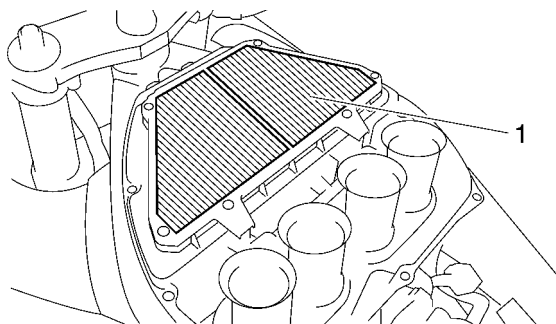
1. Remove:
 - Rider seat
Refer to "GENERAL CHASSIS" on page 4-1.
 - Fuel tank side covers
 - Fuel tank
Refer to "FUEL TANK" on page 7-1.
2. Remove:
 - Air filter case cover "1"
Refer to "GENERAL CHASSIS" on page 4-1.



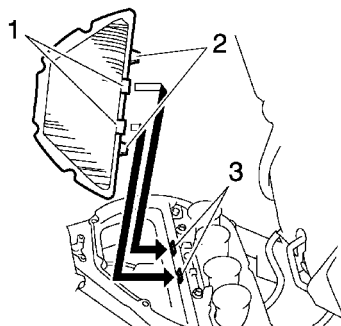
3. Check:
 - Air filter element "1"
Damage → Replace.

NOTE:

The air filter needs more frequent service if you are riding in unusually wet or dusty areas.



4. Install:
 - Air filter element



1. Projection 1
2. Projection 2
3. Slot

NOTE:

Install a new air filter element by fitting the projections 1 on the element into the slots in the air filter case.

ECA4C81021

CAUTION:

- **Make sure that the air filter element is properly seated in the air filter case.**
- **Pay attention to handling of the products so that the projections is not deformed.**

5. Install:
 - Air filter case cover

ECA4C81015

CAUTION:

Never operate the engine without the air filter element installed. Unfiltered air will cause rapid wear of engine parts and may damage the engine. Operating the engine without the air filter element will also affect throttle bodies synchronization, leading to poor engine performance and possible overheating.

NOTE:

When installing the air filter element into the air filter case cover, make sure that the sealing surfaces are aligned to prevent any air leaks.

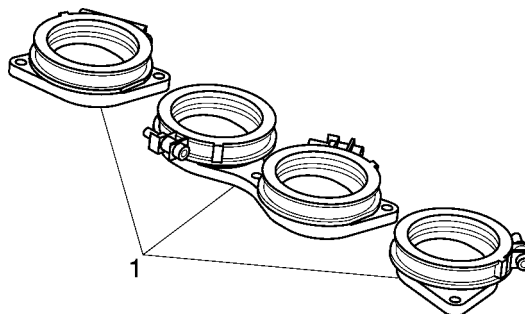
6. Install:
 - Fuel tank
 - Fuel tank side covers
Refer to "FUEL TANK" on page 7-1.
 - Rider seat
Refer to "GENERAL CHASSIS" on page 4-1.

EAS21010

CHECKING THE THROTTLE BODY JOINTS

The following procedure applies to all of the throttle body joints and intake manifolds.

1. Remove:
 - Throttle bodies
Refer to "THROTTLE BODIES" on page 7-4.
2. Check:
 - Throttle body joints "1"
Cracks/damage → Replace.



3. Install:
 - Throttle bodies
Refer to "THROTTLE BODIES" on page 7-4.

EAS21030

CHECKING THE FUEL LINE

The following procedure applies to all of the fuel, vacuum and breather hoses.

1. Remove:
 - Rider seat
Refer to "GENERAL CHASSIS" on page 4-1.
 - Fuel tank side covers
 - Fuel tank
Refer to "FUEL TANK" on page 7-1.
2. Check:
 - Fuel hose "1"
 - Breather hose "2"
Cracks/damage → Replace.
Loose connection → Connect properly.

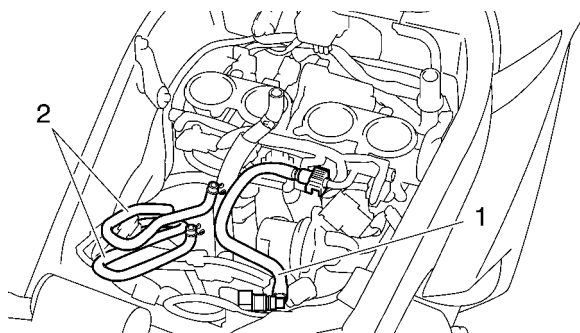
NOTE:

Before removing the fuel hoses, place a few rags in the area under where it will be removing.

ECA14940

CAUTION:

Make sure the fuel tank breather hose is routed correctly.



3. Install:
 - Fuel tank
 - Fuel tank side covers
Refer to "FUEL TANK" on page 7-1.
 - Rider seat
Refer to "GENERAL CHASSIS" on page 4-1.

ECA4C81016

CAUTION:

To install the fuel tank, check that the breather hose is not folded or pinched by the fuel tank.

EAS21070

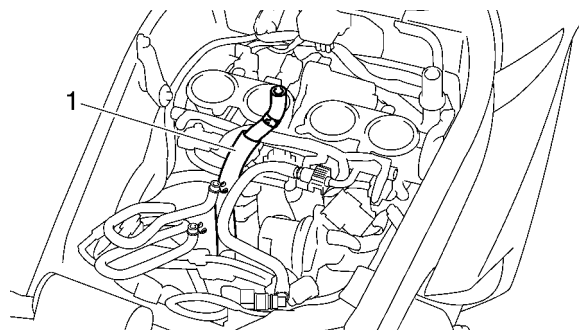
CHECKING THE CRANKCASE BREATHER HOSE

1. Remove:
 - Rider seat
Refer to "GENERAL CHASSIS" on page 4-1.
 - Fuel tank side covers
 - Fuel tank
Refer to "FUEL TANK" on page 7-1.
2. Check:
 - Crankcase breather hose "1"
Cracks/damage → Replace.
Loose connection → Connect properly.

ECA13450

CAUTION:

Make sure the crankcase breather hose is routed correctly.



3. Install:
 - Fuel tank
 - Fuel tank side covers
Refer to "FUEL TANK" on page 7-1.
 - Rider seat
Refer to "GENERAL CHASSIS" on page 4-1.

ECA4C81016

CAUTION:

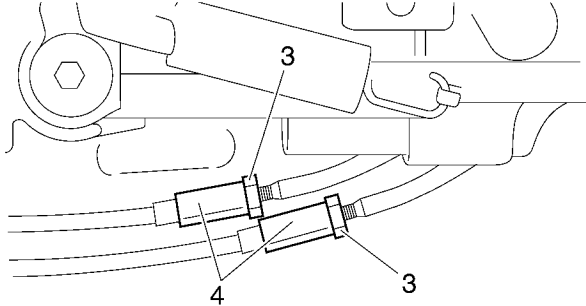
To install the fuel tank, check that the breather hose is not folded or pinched by the fuel tank.

EAS21080


CHECKING THE EXHAUST SYSTEM

The following procedure applies to all of the exhaust pipes and gaskets.

1. Check:
 - Exhaust pipe "1"
 - Exhaust valve pipe "2"
 - Muffler "3"
Cracks/damage → Replace.
 - Gasket "4"
Exhaust gas leaks → Replace.
 - Catalist pipe "5"
Cracks/damage → Replace.
2. Check:
 - Tightening torque
 - Exhaust pipe nut "6"
 - Exhaust pipe and exhaust valve pipe bolt "7"
 - Exhaust valve pipe and catalist pipe bolt "8"
 - Catalist pipe bolt "9"
 - Catalist pipe and muffler bolt "10"
 - Muffler and frame bolt "11"



- 6. Install:
 - EXUP valve pulley cover

	EXUP valve pulley cover bolt 10 Nm (1.0 m·kg, 7.2 ft·lb)
---	---

- 7. Install:
 - Lower cowlings
Refer to "GENERAL CHASSIS" on page 4-1.

EAS28360

CHECKING THE EXUP SERVO MOTOR

- 1. Check:
 - EXUP servo motor operation
Out of specification → Replace.



- Check whether or not the EXUP valve is seized.
 - Disconnect the EXUP cable and check that the EXUP valve is moved smoothly by hand.
 - When the valve is not moved smoothly, repair or replace it.
Refer to "ADJUSTING THE EXUP CABLES" on page 3-17.
- When the EXUP valve is moved smoothly, replace the EXUP servo motor.
- Perform the self-diagnosis mode and check the operation of EXUP valve by visual inspection (Code No: 53).
The operation should be carried out as 3-second drive in the full open direction, 2-second stop and 3-second drive in the full close direction.
- Check that the EXUP servo motor pulley rotates several times.



EAS21110

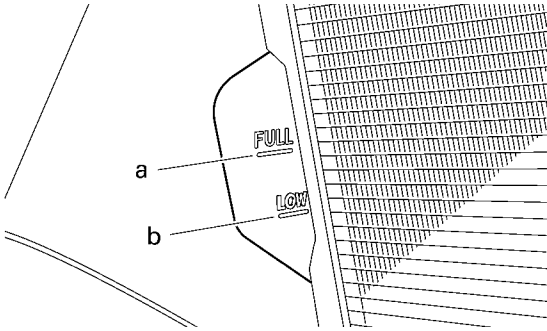
CHECKING THE COOLANT LEVEL

- 1. Stand the vehicle on a level surface.

NOTE: _____

- Place the vehicle on a suitable stand.
- Make sure the vehicle is upright.

- 2. Remove:
 - Lower cowlings
 - Right side cowling
Refer to "GENERAL CHASSIS" on page 4-1.
- 3. Check:
 - Coolant level
The coolant level should be between the maximum level mark "a" and minimum level mark "b".
Below the minimum level mark → Add the recommended coolant to the proper level.



ECA13470

CAUTION: _____

- **Adding water instead of coolant lowers the antifreeze content of the coolant. If water is used instead of coolant check, and if necessary, correct the antifreeze concentration of the coolant.**
- **Use only distilled water. However, if distilled water is not available, soft water may be used.**

- 4. Start the engine, warm it up for several minutes, and then turn it off.
- 5. Check:
 - Coolant level

NOTE: _____

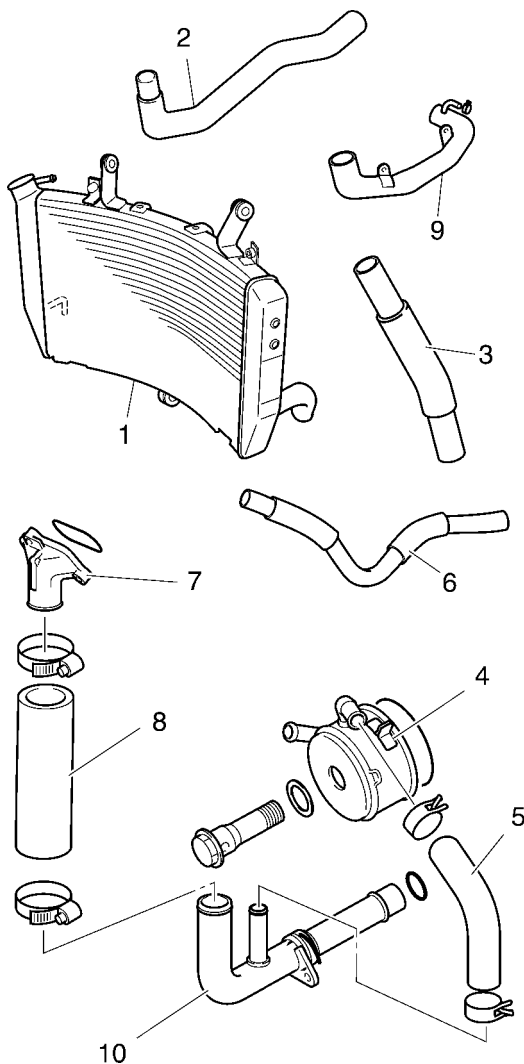
Before checking the coolant level, wait a few minutes until it settles.

- 6. Install:
 - Right side cowling
 - Lower cowlings
Refer to "GENERAL CHASSIS" on page 4-1.

EAS21120

CHECKING THE COOLING SYSTEM

1. Remove:
 - Lower cowlings
 - Side cowling
 Refer to "GENERAL CHASSIS" on page 4-1.
2. Check:
 - Radiator "1"
 - Radiator inlet hose "2"
 - Radiator outlet hose "3"
 - Oil cooler "4"
 - Oil cooler inlet hose "5"
 - Oil cooler outlet hose "6"
 - Water jacket joint "7"
 - Water jacket joint inlet hose "8"
 - Water pump inlet pipe "9"
 - Water pump outlet pipe "10"
 Cracks/damage → Replace.
 Refer to "RADIATOR" on page 6-1 and "OIL COOLER" on page 6-4.



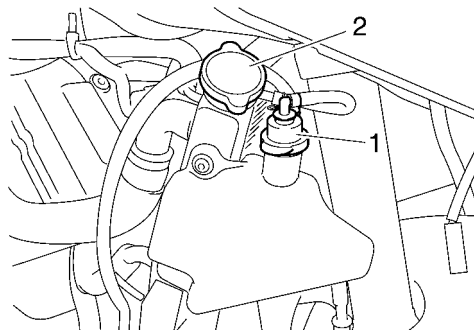
3. Install:

- Side cowlings
 - Lower cowlings
- Refer to "GENERAL CHASSIS" on page 4-1.

EAS21130

CHANGING THE COOLANT

1. Remove:
 - Lower cowlings
 - Side cowlings
 Refer to "GENERAL CHASSIS" on page 4-1.
2. Remove:
 - Coolant reservoir
 - Coolant reservoir hose
3. Disconnect:
 - Coolant reservoir cap "1"
4. Drain:
 - Coolant (from the coolant reservoir)
5. Remove:
 - Radiator cap "2"



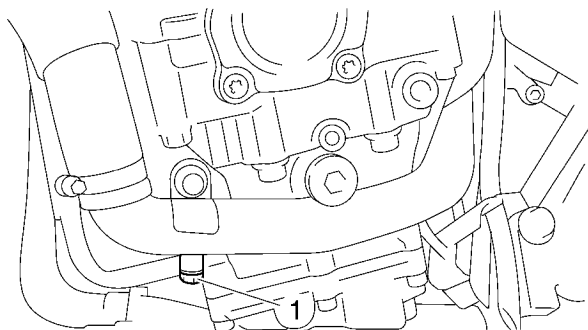
EWA13030

⚠ WARNING

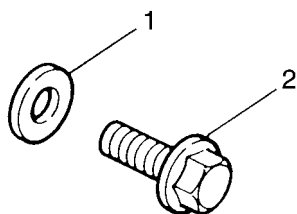
A hot radiator is under pressure. Therefore, do not remove the radiator cap when the engine is hot. Scalding hot fluid and steam may be blown out, which could cause serious injury. When the engine has cooled, open the radiator cap as follows: Place a thick rag or a towel over the radiator cap and slowly turn the radiator cap counterclockwise toward the detent to allow any residual pressure to escape. When the hissing sound has stopped, press down on the radiator cap and turn it counterclockwise to remove.

The following procedure applies to all of the coolant drain bolts and copper washers.


6. Remove:
 - Coolant drain bolt (engine) "1" (along with the copper washer)



7. Drain:
 - Coolant (from the engine and radiator)
8. Check:
 - Copper washer "1" **New** (coolant drain bolt "2")



9. Install:
 - Coolant drain bolt (with the copper washer)

	Coolant drain bolt 7 Nm (0.7 m·Kg, 5.1 ft·lb)
---	--

10. Connect:
 - Coolant reservoir hose
11. Install:
 - Coolant reservoir
12. Fill:
 - Cooling system (with the specified amount of the recommended coolant)



Recommended antifreeze
 High-quality ethylene glycol antifreeze containing corrosion inhibitors for aluminum engines

Mixing ratio

1:1 (antifreeze:water)

Radiator capacity (including all routes)

2.76 L (2.92 US qt) (2.43 Imp.qt)

Coolant reservoir capacity (up to the maximum level mark)

0.25 L (0.26 US qt) (0.22 Imp.qt)

Handling notes for coolant
 Coolant is potentially harmful and should be handled with special care.

EWA13040

⚠ WARNING

- If coolant splashes in your eyes, thoroughly wash them with water and consult a doctor.
- If coolant splashes on your clothes, quickly wash it away with water and then with soap and water.
- If coolant is swallowed, induce vomiting and get immediate medical attention.

ECA13480

CAUTION:

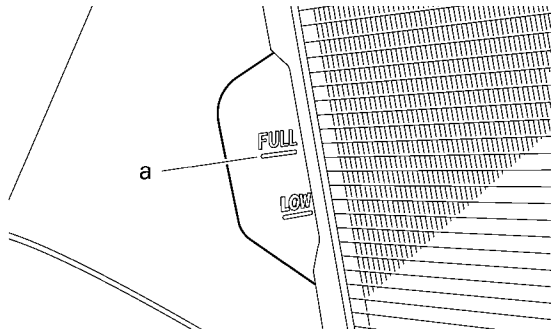
- Adding water instead of coolant lowers the antifreeze content of the coolant. If water is used instead of coolant check, and if necessary, correct the antifreeze concentration of the coolant.
- Use only distilled water. However, if distilled water is not available, soft water may be used.
- If coolant comes into contact with painted surfaces, immediately wash them with water.
- Do not mix different types of antifreeze.

13. Install:

- Radiator cap

14. Fill:

- Coolant reservoir (with the recommended coolant to the maximum level mark "a")



15. Install:

- Coolant reservoir cap

16. Start the engine, warm it up for several minutes, and then stop it.

17. Check:

- Coolant level
Refer to "CHECKING THE COOLANT LEVEL" on page 3-18.

NOTE:

Before checking the coolant level, wait a few minutes until the coolant has settled.

18. Install:

- Side cowlings
- Lower cowlings
Refer to "GENERAL CHASSIS" on page 4-1.

EAS21140

CHASSIS

EAS21160

ADJUSTING THE FRONT DISC BRAKE

1. Adjust:

- Brake lever position
(distance “a” from the throttle grip to the brake lever)

NOTE:

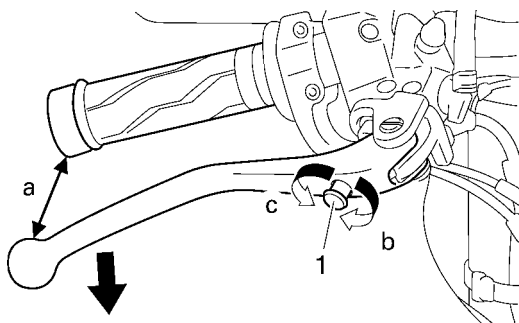
While pushing the brake lever forward, turn the adjusting dial “1” until the brake lever is in the desired position.

Direction “b”

Distance “a” is the largest.

Direction “c”

Distance “a” is the smallest.



EWA13060

WARNING

- After adjusting the brake lever position, make sure the pin on the brake lever holder is firmly inserted in the hole in the adjusting dial.
- A soft or spongy feeling in the brake lever can indicate the presence of air in the brake system. Before the vehicle is operated, the air must be removed by bleeding the brake system. Air in the brake system will considerably reduce in loss of control and possibly an accident. Therefore, check and if necessary, bleed the brake system.

ECA13490

CAUTION:

After adjusting the brake lever position, make sure there is no brake drag.

EAS21190

ADJUSTING THE REAR DISC BRAKE

1. Check:

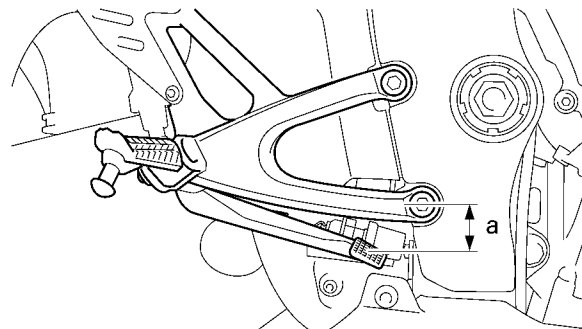
- Brake pedal position

(distance “a” from the center of the footrest bracket bolt to the center of the brake pedal)

Out of specification → Adjust.



Brake pedal position
25.2 mm (0.99 in)



2. Adjust:

- Brake pedal position



- Loosen the locknut “1”.
- Turn the adjusting bolt “2” in direction “a” or “b” until the specified brake pedal position is obtained.

Direction “a”

Brake pedal is raised.

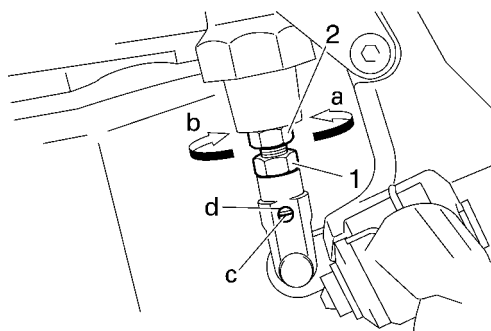
Direction “b”

Brake pedal is lowered.

EWA13070

WARNING

After adjusting the brake pedal position, check that the end of the adjusting bolt “c” is visible through the hole “d”.



- Tighten the locknut “1” to specification.



Locknut
18 Nm (1.8 m·kg, 13 ft·lb)

EWA13050

WARNING

A soft or spongy feeling in the brake lever can indicate the presence of air in the brake system. Before the vehicle is operated, the air must be removed by bleeding the brake system. Air in the brake system will considerably reduce braking performance.

ECA13510

CAUTION:

After adjusting the brake pedal position, make sure there is no brake drag.



3. Adjust:
 - Rear brake light switch
Refer to "ADJUSTING THE REAR BRAKE LIGHT SWITCH" on page 3-24.

EAS21240

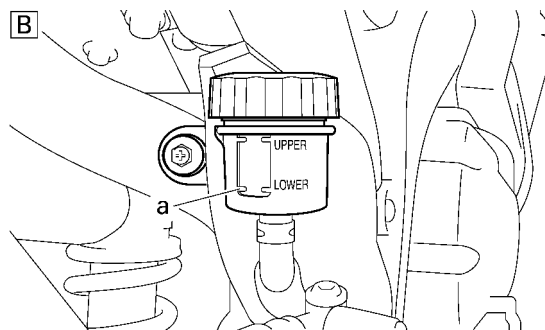
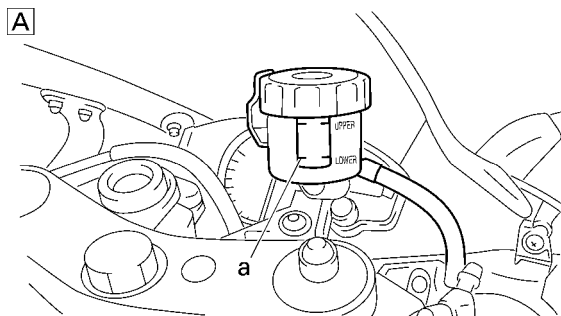
CHECKING THE BRAKE FLUID LEVEL

1. Stand the vehicle on a level surface.

NOTE:

- Place the vehicle on a suitable stand.
 - Make sure the vehicle is upright.
2. Check:
 - Brake fluid level
Below the minimum level mark "a" → Add the recommended brake fluid to the proper level.

	Recommended fluid DOT 4
--	------------------------------------



- A. Front brake
- B. Rear brake

EWA13090

WARNING

- Use only the designated brake fluid. Other brake fluids may cause the rubber seals to deteriorate, causing leakage and poor brake performance.
- Refill with the same type of brake fluid that is already in the system. Mixing brake fluids may result in a harmful chemical reaction, leading to poor brake performance.
- When refilling, be careful that water does not enter the brake fluid reservoir. Water will significantly lower the boiling point of the brake fluid and could cause vapor lock.

ECA13540

CAUTION:

Brake fluid may damage painted surfaces and plastic parts. Therefore, always clean up any spilled brake fluid immediately.

NOTE:

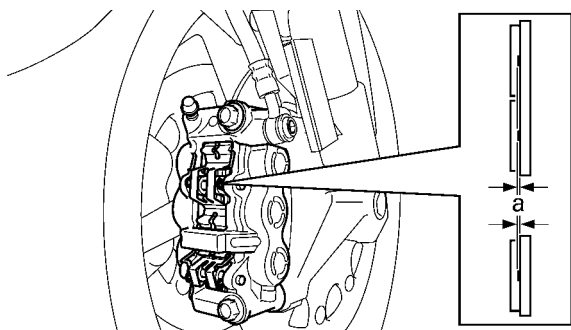
In order to ensure a correct reading of the brake fluid level, make sure the top of the brake fluid reservoir is horizontal.

EAS21250

CHECKING THE FRONT BRAKE PADS

The following procedure applies to all of the brake pads.

1. Operate the brake.
2. Check:
 - Front brake pad
Wear indicators "a" almost touch the brake disc → Replace the brake pads as a set. Refer to "FRONT BRAKE" on page 4-20.

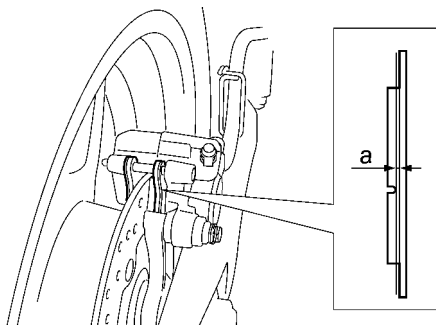


EAS21260

CHECKING THE REAR BRAKE PADS

The following procedure applies to all of the brake pads.

1. Operate the brake.
2. Check:
 - Rear brake pad
Wear indicators "a" almost touch the brake disc → Replace the brake pads as a set.
Refer to "REAR BRAKE" on page 4-33.

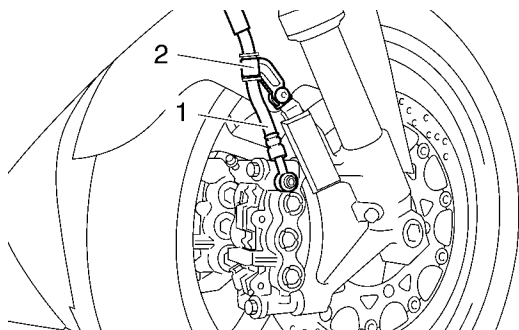


EAS21280

CHECKING THE FRONT BRAKE HOSES

The following procedure applies to all of the brake hoses and brake hose clamps.

1. Check:
 - Brake hose "1"
Cracks/damage/wear → Replace.
2. Check:
 - Brake hose clamp "2"
Loose → Tighten the clamp bolt.

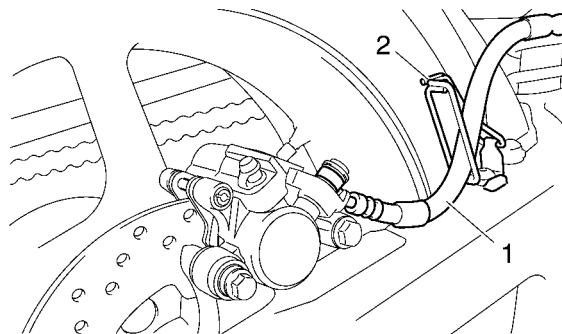


3. Hold the vehicle upright and apply the brake several times.
4. Check:
 - Brake hose
Brake fluid leakage → Replace the damaged hose.
Refer to "FRONT BRAKE" on page 4-20.

EAS21290

CHECKING THE REAR BRAKE HOSE

1. Check:
 - Brake hose "1"
Cracks/damage/wear → Replace.
2. Check:
 - Brake hose clamp "2"
Loose Connection → Tighten the clamp bolt.



3. Hold the vehicle upright and apply the front brake several times.
4. Check:
 - Brake hose
Brake fluid leakage → Replace the damaged hose.
Refer to "REAR BRAKE" on page 4-33.

EAS21330

ADJUSTING THE REAR BRAKE LIGHT SWITCH

NOTE:

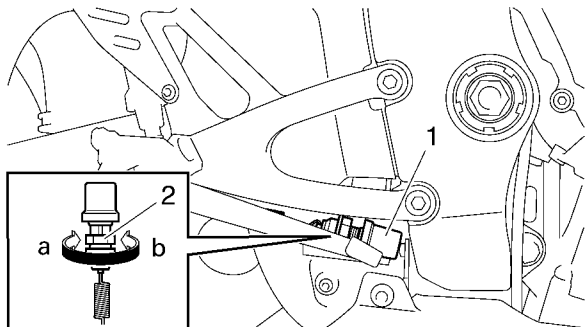
The rear brake light switch is operated by movement of the brake pedal. The rear brake light switch is properly adjusted when the brake light comes on just before the braking effect starts.

1. Check:
 - Rear brake light operation timing
Incorrect → Adjust.
2. Adjust:
 - Rear brake light operation timing



- Hold the main body "1" of the rear brake light switch so that it does not rotate and turn the adjusting nut "2" in direction "a" or "b" until the rear brake light comes on at the proper time.

Direction "a"
Brake light comes on sooner.
Direction "b"
Brake light comes on later.



EAS21360

BLEEDING THE HYDRAULIC BRAKE SYSTEM

EWA13100



WARNING

Bleed the hydraulic brake system whenever:

- The system is disassembled.
- A brake hose is loosened, disconnected or replaced.
- The brake fluid level is very low.
- Brake operation is faulty.

NOTE:

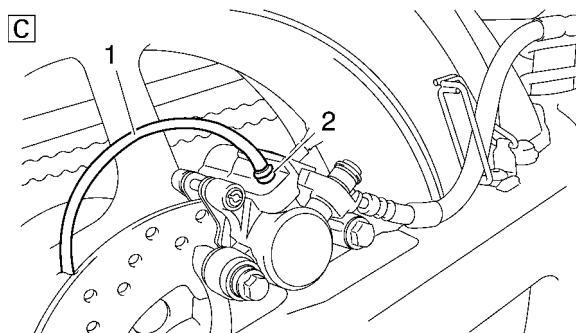
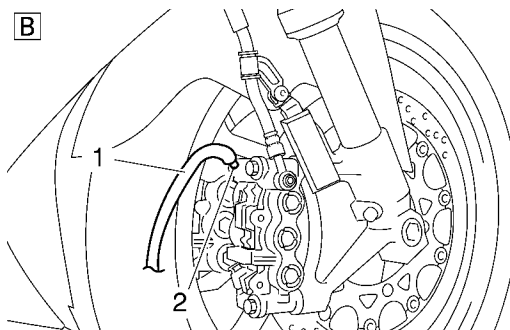
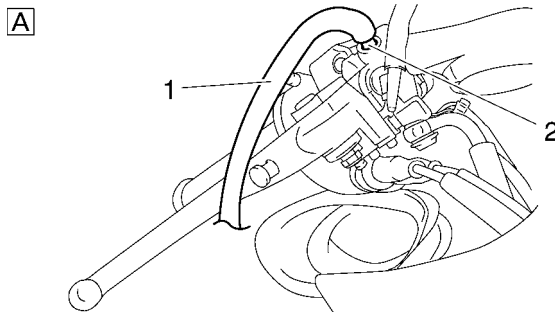
- Be careful not to spill any brake fluid or allow the brake fluid reservoir to overflow.
- When bleeding the hydraulic brake system, make sure there is always enough brake fluid before applying the brake. Ignoring this precaution could allow air to enter the hydraulic brake system, considerably lengthening the bleeding procedure.
- If bleeding is difficult, it may be necessary to let the brake fluid settle for a few hours. Repeat the bleeding procedure when the tiny bubbles in the hose have disappeared.

1. Bleed:

- Hydraulic brake system



- Fill the brake fluid reservoir to the proper level with the recommended brake fluid.
- Install the brake fluid reservoir diaphragm.
- Connect a clear plastic hose "1" tightly to the bleed screw "2".



- Front brake master cylinder
- Front brake caliper
- Rear brake caliper

NOTE:

Bleeding order of the front hydraulic brake system is the following order:

- Front brake master cylinder
- Front brake calipers
- Front brake master cylinder


- Place the other end of the hose into a container.
- Slowly apply the brake several times.
- Fully pull the brake lever or fully press down the brake pedal and hold it in position.

g. Loosen the bleed screw.

NOTE:

Loosening the bleed screw will release the pressure and cause the brake lever to contact the throttle grip or the brake pedal to fully extend.

- h. Tighten the bleed screw and then release the brake lever or brake pedal.
- i. Repeat steps (e) to (h) until all of the air bubbles have disappeared from the brake fluid in the plastic hose.
- j. Tighten the bleed screw to specification.

	<p>Bleed screw 6 Nm (0.6 m·kg, 4.3 ft·lb)</p>
---	--

k. Fill the brake fluid reservoir to the proper level with the recommended brake fluid. Refer to "CHECKING THE BRAKE FLUID LEVEL" on page 3-23.

EWA13110

WARNING

After bleeding the hydraulic brake system, check the brake operation.



EAS21380

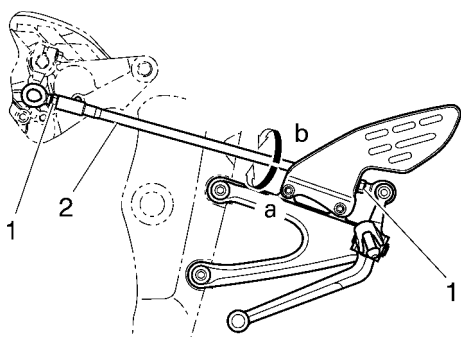
ADJUSTING THE SHIFT PEDAL

- 1. Adjust:
 - Shift pedal position



- a. Loosen both locknuts "1".
- b. Turn the shift rod "2" in direction "a" or "b" to obtain the correct shift pedal position.

<p>Direction "a" Shift pedal is raised.</p> <p>Direction "b" Shift pedal is lowered.</p>
--



c. Tighten both locknuts.



EAS21410

ADJUSTING THE DRIVE CHAIN SLACK

NOTE:

The drive chain slack must be checked at the tightest point on the chain.

ECA13550

CAUTION:

A drive chain that is too tight will overload the engine and other vital parts, and one that is too loose can skip and damage the swingarm or cause an accident. Therefore, keep the drive chain slack within the specified limits.

- 1. Stand the vehicle on a level surface.

EWA13120

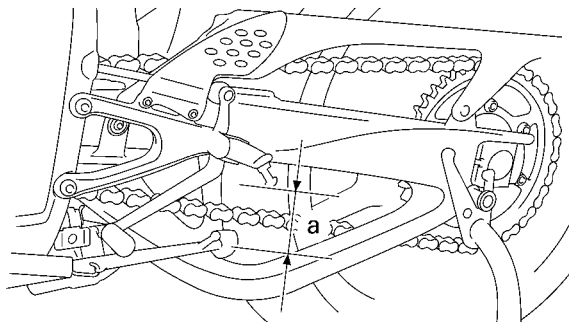
WARNING

Securely support the vehicle so that there is no danger of it falling over.

NOTE:

Place the vehicle on a suitable stand so that the rear wheel is elevated.

- 2. Spin the rear wheel several times and find the tightest position of drive chain.
- 3. Check:
 - Drive chain slack "a"
 - Out of specification → Adjust.



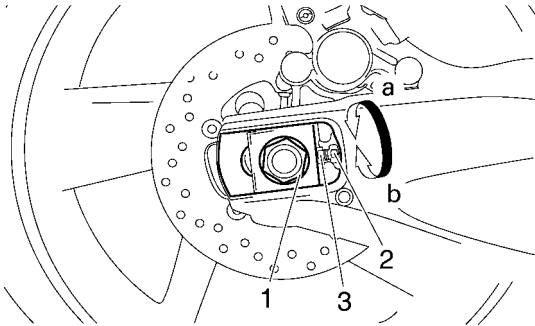
	<p>Drive chain slack 30.0–40.0 mm (1.18–1.57 in)</p>
---	---

- 4. Adjust:
 - Drive chain slack



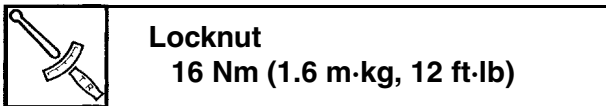
- a. Loosen the wheel axle nut "1".
- b. Loosen both locknuts "2".
- c. Turn both adjusting nuts "3" in direction "a" or "b" until the specified drive chain slack is obtained.

Direction "a"
Drive chain is tightened.
Direction "b"
Drive chain is loosened.

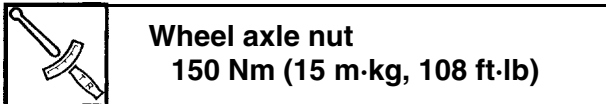


NOTE:
To maintain the proper wheel alignment, adjust both sides evenly.

d. Tighten both locknuts to specification.



e. Tighten the wheel axle nut to specification.

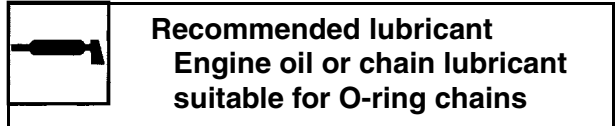


EAS21440

LUBRICATING THE DRIVE CHAIN

The drive chain consists of many interacting parts. If the drive chain is not maintained properly, it will wear out quickly. Therefore, the drive chain should be serviced, especially when the vehicle is used in dusty areas.

This vehicle has a drive chain with small rubber O-rings between each side plate. Steam cleaning, high-pressure washing, certain solvents, and the use of a coarse brush can damage these O-rings. Therefore, use only kerosene to clean the drive chain. Wipe the drive chain dry and thoroughly lubricate it with engine oil or chain lubricant that is suitable for O-ring chains. Do not use any other lubricants on the drive chain since they may contain solvents that could damage the O-rings.



EAS21500

CHECKING AND ADJUSTING THE STEERING HEAD

1. Stand the vehicle on a level surface.

EWA13120



Securely support the vehicle so that there is no danger of it falling over.

NOTE:

Place the vehicle on a suitable stand so that the front wheel is elevated.

2. Check:

- Steering head
Grasp the bottom of the front fork legs and gently rock the front fork.
Binding/looseness → Adjust the steering head.

3. Remove:

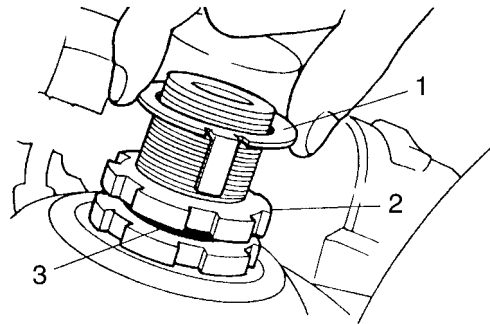
- Upper bracket
Refer to "HANDLEBARS" on page 4-45 and "STEERING HEAD" on page 4-59.

4. Adjust:

- Steering head



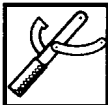
a. Remove the lock washer "1", the upper ring nut "2", and the rubber washer "3".



b. Loosen the lower ring nut "4" and then tighten it to specification with a steering nut wrench "5".

NOTE:

Set the torque wrench at a right angle to the steering nut wrench.



Steering nut wrench
90890-01403
Spanner wrench
YU-33975



Lower ring nut (initial tightening torque)
52 Nm (5.2 m·kg, 38 ft·lb)

- c. Loosen the lower ring nut “4” completely, then tighten it to specification.

EWA13140

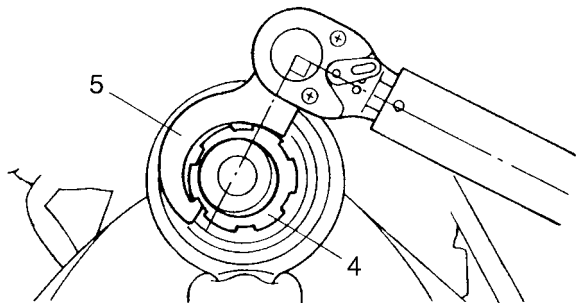


WARNING

Do not overtighten the lower ring nut.



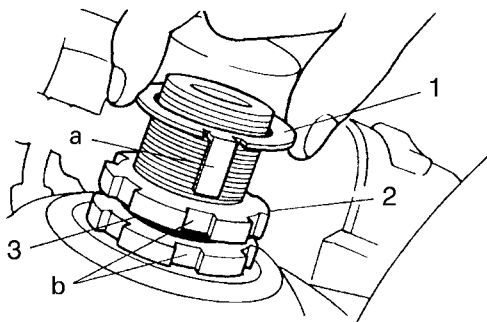
Lower ring nut (final tightening torque)
18 Nm (1.8 m·kg, 13 ft·lb)



- d. Check the steering head for looseness or binding by turning the front fork all the way in both directions. If any binding is felt, remove the lower bracket and check the upper and lower bearings. Refer to "STEERING HEAD" on page 4-59.
- e. Install the rubber washer “3”.
- f. Install the upper ring nut “2”.
- g. Finger tighten the upper ring nut “2”, then align the slots of both ring nuts. If necessary, hold the lower ring nut and tighten the upper ring nut until their slots are aligned.
- h. Install the lock washer “1”.

NOTE:

Make sure the lock washer tabs “a” sit correctly in the ring nut slots “b”.



5. Install:

- Upper bracket

Refer to "STEERING HEAD" on page 4-59.

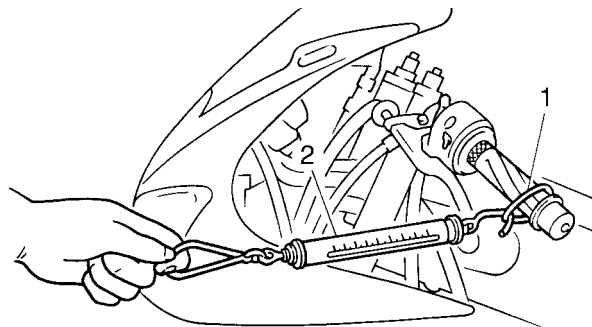
6. Measure:

- Steering head tension

NOTE:

Make sure all of the cables and wires are properly routed.

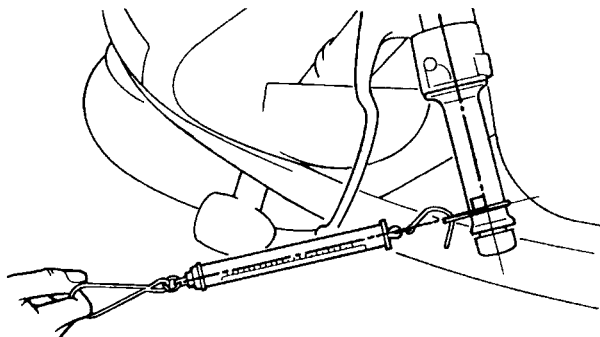
- a. Point the front wheel straight ahead.
- b. Install a plastic locking tie “1” loosely around the end of the handlebar as shown.
- c. Hook a spring gauge “2” onto the plastic locking tie.



- d. Hold the spring gauge at a 90° angle from the handlebar, pull the spring gauge, and then record the measurement when the handlebar starts to run.



Steering head tension
200–500 g



- e. Repeat the above procedure on the opposite handlebar.
- f. If the steering head tension is out of specification (both handlebars should be within specification), remove the upper bracket and loosen or tighten the upper ring nut.
- g. Reinstall the upper bracket and measure the steering head tension again as described above.
- h. Repeat the above procedure until the steering head tension is within specification.
- i. Grasp the bottom of the front fork legs and gently rock the front fork.
Binding/looseness → Adjust the steering head.



EAS21530

CHECKING THE FRONT FORK

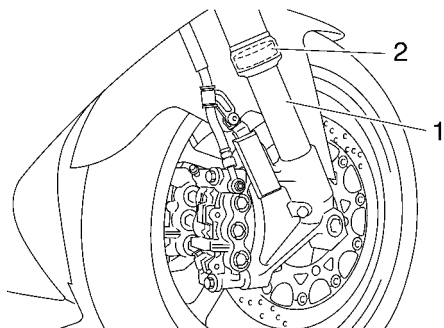
1. Stand the vehicle on a level surface.

EWA13120



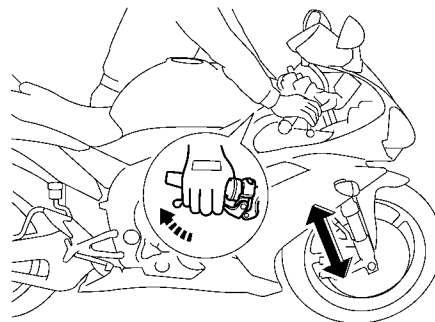
Securely support the vehicle so that there is no danger of it falling over.

2. Check:
 - Inner tube "1"
Damage/scratches → Replace.
 - Oil seal "2"
Oil leakage → Replace.



3. Hold the vehicle upright and apply the front brake.

4. Check:
 - Front fork operation
Push down hard on the handlebar several times and check if the front fork rebounds smoothly.
Rough movement → Repair.
Refer to "FRONT FORK" on page 4-50.



EAS21580

ADJUSTING THE FRONT FORK LEGS

The following procedure applies to both of the front fork legs.

EWA13150



- Always adjust both front fork legs evenly. Uneven adjustment can result in poor handling and loss of stability.
- Securely support the vehicle so that there is no danger of it falling over.

Spring preload

ECA13570



- Grooves are provided to indicate the adjustment position.
- Never go beyond the maximum or minimum adjustment positions.

1. Adjust:
 - Spring preload

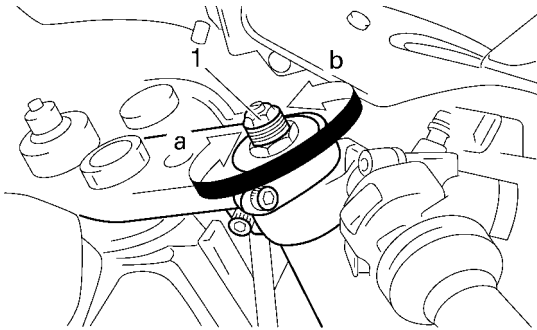
- a. Turn the adjusting bolt "1" in direction "a" or "b".

Direction "a"

Spring preload is increased (suspension is harder).

Direction "b"

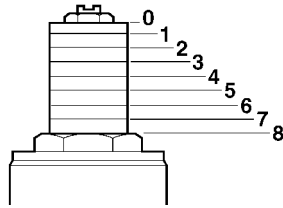
Spring preload is decreased (suspension is softer).



Rebound damping adjust positions

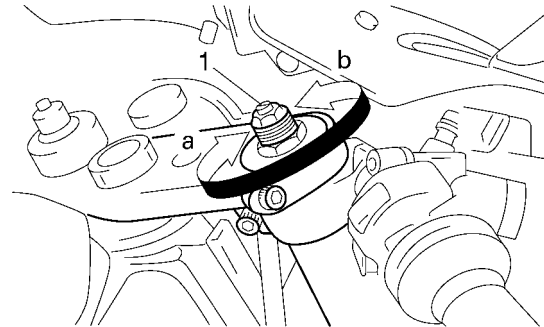
- Minimum
26 click(s) out*
- Standard
10 click(s) out*
- Maximum
1 click(s) out*

* With the adjusting screw fully turned in.



Spring preload adjusting positions

- Minimum
8
- Standard
5
- Maximum
0



Compression damping

ECA13590

CAUTION: _____

Never go beyond the maximum or minimum adjustment positions.

1. Adjust:
 - Compression damping



- a. Turn the adjusting screw "1" in direction "a" or "b".

Direction "a"

Compression damping is increased (suspension is harder).

Direction "b"

Compression damping is decreased (suspension is softer).

Rebound damping

ECA13590

CAUTION: _____

Never go beyond the maximum or minimum adjustment positions.

1. Adjust:
 - Rebound damping



- a. Turn the adjusting screw "1" in direction "a" or "b".

Direction "a"

Rebound damping is increased (suspension is harder).

Direction "b"

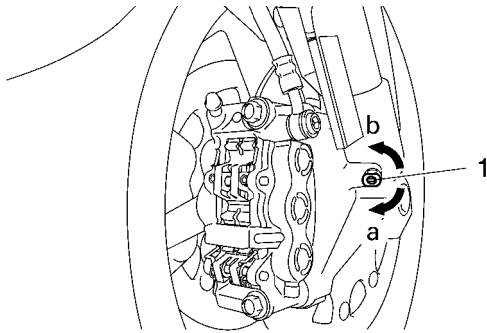
Rebound damping is decreased (suspension is softer).



Compression damping adjust points

- Minimum
25 click(s) out*
- Standard
10 click(s) out*
- Maximum
1 click(s) out*

* With the adjusting screw fully turned in.



Spring preload adjusting positions

- Minimum
1
- Standard
5
- Maximum
9



EAS21610

ADJUSTING THE REAR SHOCK ABSORBER ASSEMBLY

EWA13120

WARNING

Securely support the vehicle so that there is no danger of it falling over.

Spring preload

ECA13590

CAUTION:

Never go beyond the maximum or minimum adjustment positions.

1. Adjust:
 - Spring preload



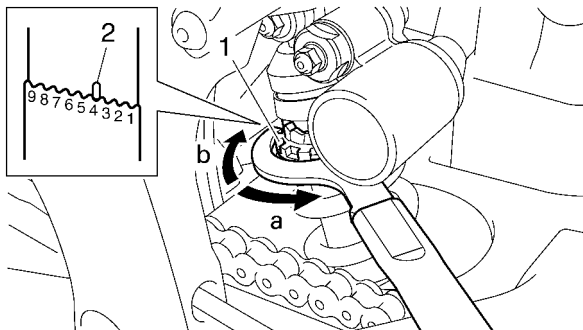
- a. Adjust the spring preload with the special wrench and extension bar included in the owner's tool kit.
- b. Turn the adjusting ring "1" in direction "a" or "b".
- c. Align the desired position on the adjusting ring with the stopper "2".

Direction "a"

Spring preload is increased (suspension is harder).

Direction "b"

Spring preload is decreased (suspension is softer).



Rebound damping

ECA13590

CAUTION:

Never go beyond the maximum or minimum adjustment positions.

1. Adjust:
 - Rebound damping



- a. Turn the adjusting knob "1" in direction "a" or "b".

Direction "a"

Rebound damping is increased (suspension is harder).

Direction "b"

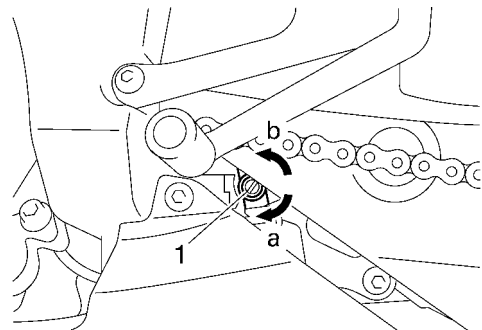
Rebound damping is decreased (suspension is softer).



Rebound damping adjust positions

- Minimum
20 click(s) out*
- Standard
12 click(s) out*
- Maximum
3 click(s) out*

* With the adjusting screw fully turned in.



Compression damping (fast compression damping)

ECA13590

CAUTION:

Never go beyond the maximum or minimum adjustment positions.

1. Adjust:
 - Compression damping (fast compression damping)

- a. Turn the adjusting screw "1" in direction "a" or "b".

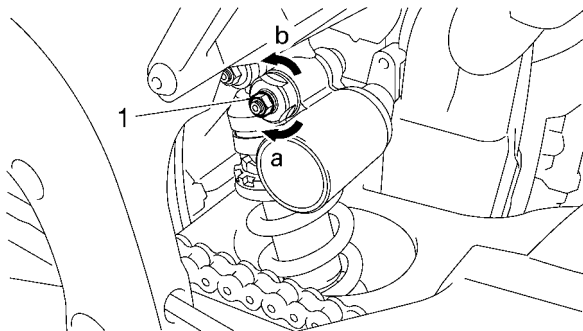
Direction "a"
 Compression damping is increased (suspension is harder).
Direction "b"
 Compression damping is decreased (suspension is softer).



Compression damping (fast compression damping) adjusting positions

Minimum
 4 turn(s) out*
Standard
 3 turn(s) out*
Maximum
 0 turn(s) out*

* With the adjusting screw fully turned in.



Compression damping (slow compression damping)

ECA13590

CAUTION:

Never go beyond the maximum or minimum adjustment positions.

1. Adjust:
 - Compression damping (slow compression damping)

- a. Turn the adjusting knob "1" in direction "a" or "b".

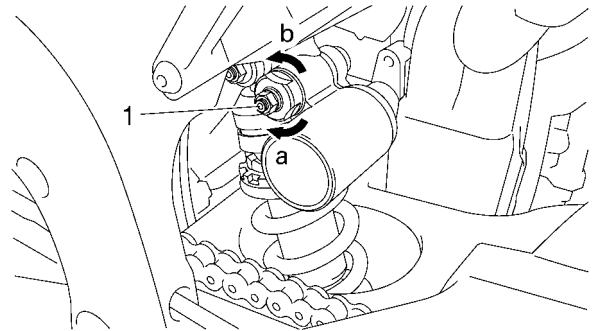
Direction "a"
 Compression damping is increased (suspension is harder).
Direction "b"
 Compression damping is decreased (suspension is softer).



Compression damping (slow compression damping) adjusting positions

Minimum
 20 click(s) out*
Standard
 12 click(s) out*
Maximum
 1 click(s) out*

* With the adjusting screw fully turned in.

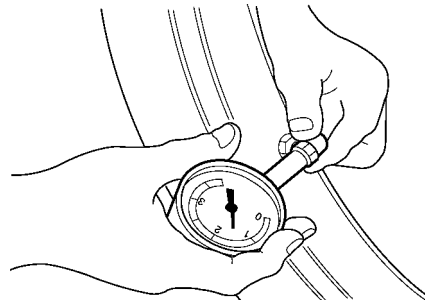


EAS21650

CHECKING THE TIRES

The following procedure applies to both of the tires.

1. Check:
 - Tire pressure
 Out of specification → Regulate.



EWA13180

WARNING

- The tire pressure should only be checked and regulated when the tire temperature equals the ambient air temperature.
- The tire pressure and the suspension must be adjusted according to the total weight (including cargo, rider, passenger and accessories) and the anticipated riding speed.
- Operation of an overloaded vehicle could cause tire damage, an accident or an injury.

NEVER OVERLOAD THE VEHICLE.



Tire air pressure (measured on cold tires)

Loading condition
0–90 kg (0–198 lb)

Front

250 kPa (36 psi) (2.50 kgf/cm²)
(2.50 bar)

Rear

290 kPa (42 psi) (2.90 kgf/cm²)
(2.90 bar)

Loading condition

90–195 kg (198–430 lb)

Front

250 kPa (36 psi) (2.50 kgf/cm²)
(2.50 bar)

Rear

290 kPa (42 psi) (2.90 kgf/cm²)
(2.90 bar)

High-speed riding

Front

250 kPa (36 psi) (2.50 kgf/cm²)
(2.50 bar)

Rear

290 kPa (42 psi) (2.90 kgf/cm²)
(2.90 bar)

Maximum load

195 kg (430 lb)

* Total weight of rider, passenger, cargo and accessories

EWA13190

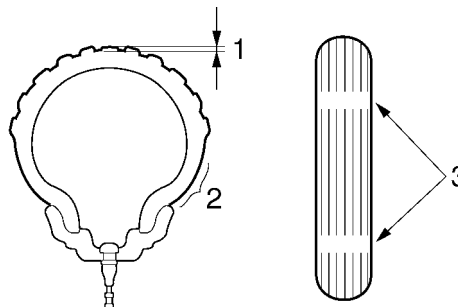
WARNING

It is dangerous to ride with a worn-out tire. When the tire tread reaches the wear limit, replace the tire immediately.

2. Check:

- Tire surfaces

Damage/wear → Replace the tire.



1. Tire tread depth

2. Side wall

3. Wear indicator



Wear limit (front)

0.8 mm (0.03 in)

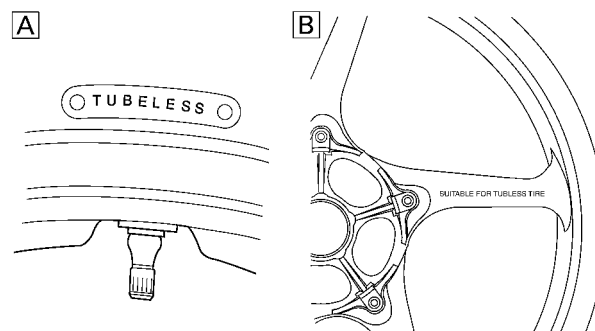
Wear limit (rear)

0.8 mm (0.03 in)

EWA14080

WARNING

- Do not use a tubeless tire on a wheel designed only for tube tires to avoid tire failure and personal injury from sudden deflation.
- When using a tube tire, be sure to install the correct tube.
- Always replace a new tube tire and a new tube as a set.
- To avoid pinching the tube, make sure the wheel rim band and tube are centered in the wheel groove.
- Patching a punctured tube is not recommended. If it is absolutely necessary to do so, use great care and replace the tube as soon as possible with a good quality replacement.



A. Tire

B. Wheel

Tube wheel	Tube tire only
Tubeless wheel	Tube or tubeless tire

EWA14090

WARNING

After extensive tests, the tires listed below have been approved by Yamaha Motor Co., Ltd. for this model. The front and rear tires should always be by the same manufacturer and of the same design. No guarantee concerning handling characteristics can be given if a tire combination other than one approved by Yamaha is used on this vehicle.



Front tire
Size
 120/70 ZR17M/C (58W)
Manufacturer/model
 PIRELLI/DIABLO CORSA E
Manufacturer/model
 MICHELIN/Pilot POWER



Rear tire
Size
 190/50 ZR17M/C (73W)
Manufacturer/model
 PIRELLI/DIABLO CORSA L
Manufacturer/model
 MICHELIN/Pilot POWER

EWA13210

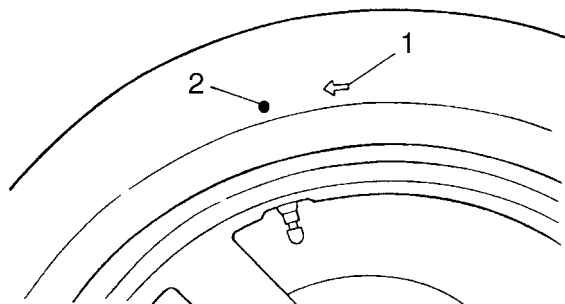
WARNING

New tires have a relatively low grip on the road surface until they have been slightly worn. Therefore, approximately 100 km should be traveled at normal speed before any high-speed riding is done.

NOTE:

For tires with a direction of rotation mark "1":

- Install the tire with the mark pointing in the direction of wheel rotation.
- Align the mark "2" with the valve installation point.



EAS21670

CHECKING THE WHEELS

The following procedure applies to both of the wheels.

1. Check:
 - Wheel
 Damage/out-of-round → Replace.

EWA13260

WARNING

Never attempt to make any repairs to the wheel.

NOTE:

After a tire or wheel has been changed or replaced, always balance the wheel.

EAS21690

CHECKING AND LUBRICATING THE CABLES

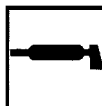
The following procedure applies to all of the inner and outer cables.

EWA13270

WARNING

Damaged outer cable may cause the cable to corrode and interfere with its movement. Replace damaged outer cable and inner cables as soon as possible.

1. Check:
 - Outer cable
 Damage → Replace.
2. Check:
 - Cable operation
 Rough movement → Lubricate.



Recommended lubricant
 Engine oil or a suitable cable lubricant

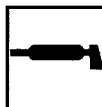
NOTE:

Hold the cable end upright and pour a few drops of lubricant into the cable sheath or use a suitable lubricating device.

EAS21700

LUBRICATING THE LEVERS

Lubricate the pivoting point and metal-to-metal moving parts of the levers.



Recommended lubricant
 Lithium-soap-based grease

EAS21710

LUBRICATING THE PEDAL

Lubricate the pivoting point and metal-to-metal moving parts of the pedal.



Recommended lubricant
Lithium-soap-based grease

EAS21720

LUBRICATING THE SIDESTAND

Lubricate the pivoting point and metal-to-metal moving parts of the sidestand.



Recommended lubricant
Lithium-soap-based grease

EAS21740

LUBRICATING THE REAR SUSPENSION

Lubricate the pivoting point and metal-to-metal moving parts of the rear suspension.



Recommended lubricant
Molybdenum disulfide grease

EAS21750

ELECTRICAL SYSTEM

EAS21760

CHECKING AND CHARGING THE BATTERY

Refer to "ELECTRICAL COMPONENTS" on page 8-77.

EAS21770

CHECKING THE FUSES

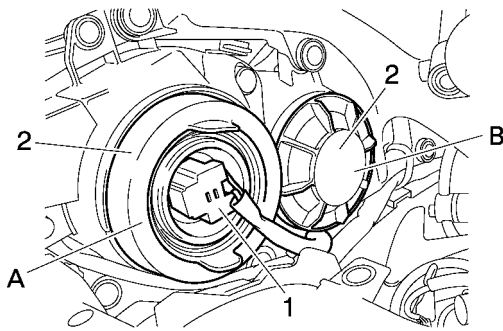
Refer to "ELECTRICAL COMPONENTS" on page 8-77.

EAS21790

REPLACING THE HEADLIGHT BULBS

The following procedure applies to both of the headlight bulbs.

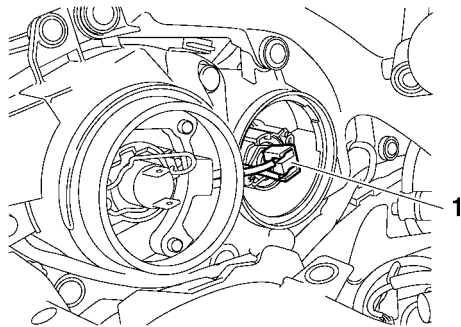
1. Remove:
 - Intake air duct panel
Refer to "GENERAL CHASSIS" on page 4-1.
2. Remove:
 - Headlight bulb coupler (high beam) "1"
 - Headlight bulb cover "2"



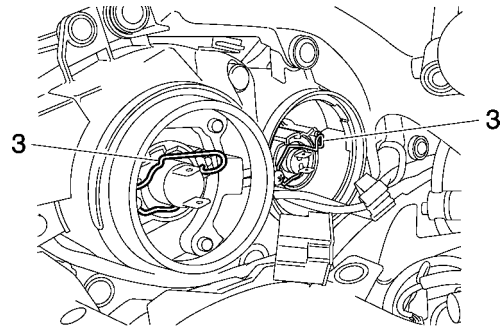
A. High beam

B. Low beam

3. Disconnect:
 - Headlight bulb coupler (low beam) "1"



4. Remove:
 - Headlight bulb holders "3"

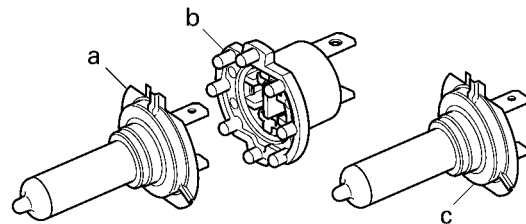


5. Remove:
 - Headlight bulb

EWA13320

WARNING

Since the headlight bulb gets extremely hot, keep flammable products and your hands away from the bulb until it has cooled down.



- a. High beam
- b. High beam bulb socket
- c. Low beam

6. Install:
 - Headlight bulb **New**
Secure the new headlight bulbs with the headlight bulb holder.

ECA13690

CAUTION:

Avoid touching the glass part of the headlight bulb to keep it free from oil, otherwise the transparency of the glass, the life of the bulb and the luminous flux will be adversely affected. If the headlight bulb gets soiled, thoroughly clean it with a cloth moistened with alcohol or lacquer thinner.

7. Install:
 - Headlight bulb holder
8. Connect:
 - Headlight bulb coupler (low beam)
9. Install:
 - Headlight bulb cover
10. Connect:

- Headlight bulb coupler (high beam)

11. Install:

- Intake air duct panel
Refer to "GENERAL CHASSIS" on page 4-1.

EAS21810

ADJUSTING THE HEADLIGHT BEAMS

The following procedure applies to both of the headlights.

1. Remove:

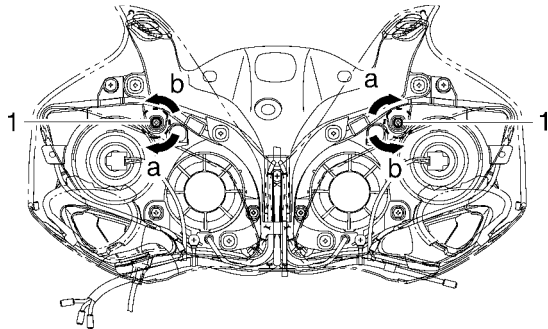
- Front cowling inner panels
Refer to "GENERAL CHASSIS" on page 4-1.

2. Adjust:

- Headlight beam (vertically)

a. Turn the adjusting screw "1" in direction "a" or "b".

Direction "a"
Headlight beam is raised.
Direction "b"
Headlight beam is lowered.



3. Adjust:

- Headlight beam (horizontally)

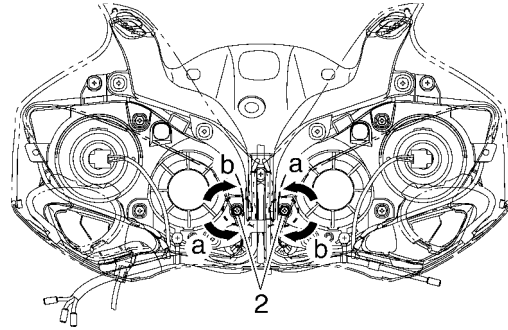
a. Turn the adjusting knob "2" in direction "a" or "b".

Left headlight

Direction "a"
Headlight beam moves to the right.
Direction "b"
Headlight beam moves to the left.

Right headlight

Direction "a"
Headlight beam moves to the left.
Direction "b"
Headlight beam moves to the right.



4. Install:

- Front cowling inner panels
Refer to "GENERAL CHASSIS" on page 4-1.

CHASSIS

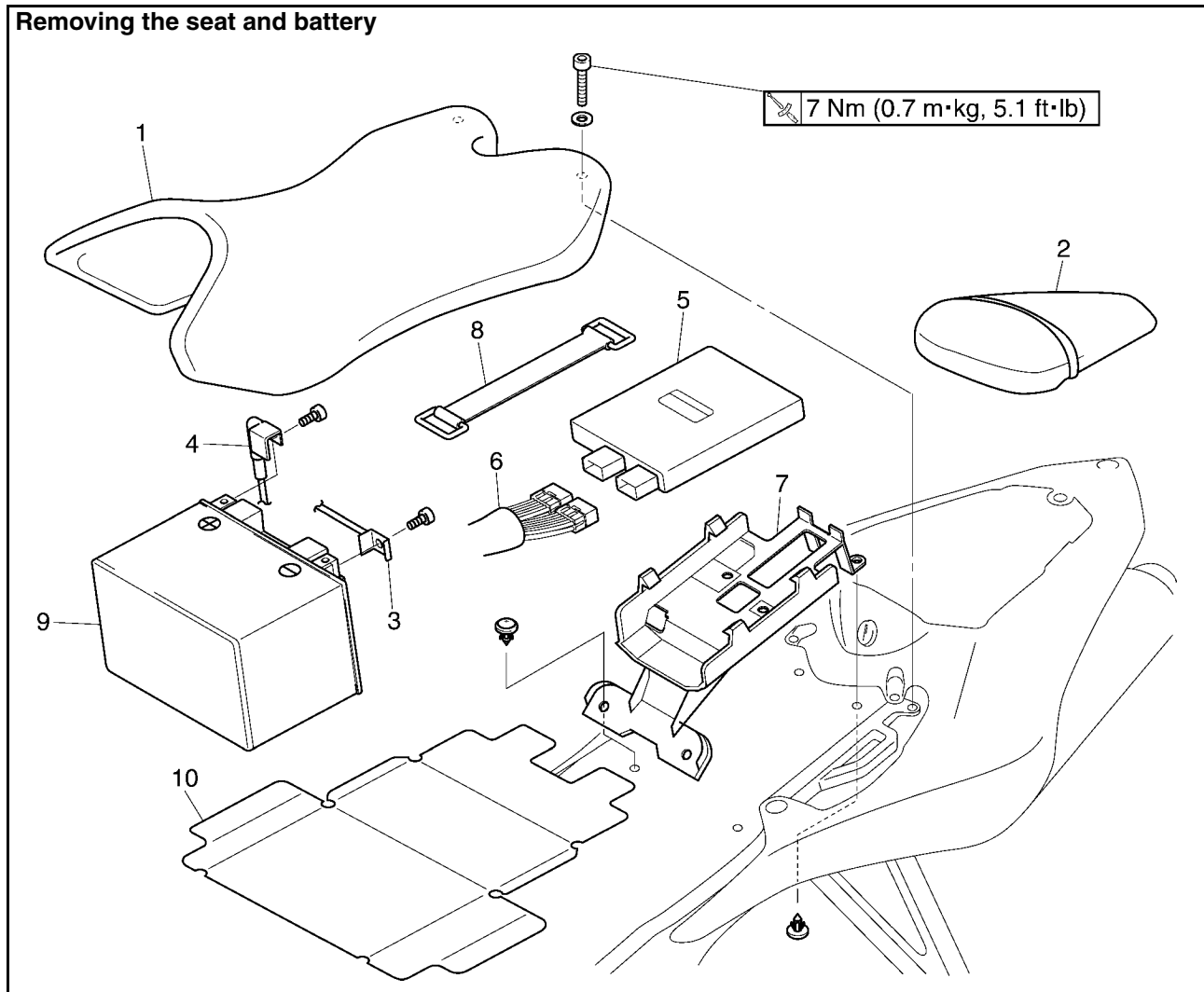
GENERAL CHASSIS	4-1
CHECKING THE INTAKE FUNNEL.....	4-5
CHECKING THE INTAKE FUNNEL.....	4-5
CHECKING THE INTAKE FUNNEL OPERATION.....	4-5
REMOVING THE COVER.....	4-7
INSTALLING THE COVER.....	4-7
FRONT WHEEL	4-8
REMOVING THE FRONT WHEEL.....	4-10
CHECKING THE FRONT WHEEL.....	4-10
ADJUSTING THE FRONT WHEEL STATIC BALANCE.....	4-11
INSTALLING THE FRONT WHEEL.....	4-12
REAR WHEEL	4-14
REMOVING THE REAR WHEEL.....	4-17
CHECKING THE REAR WHEEL.....	4-17
CHECKING THE REAR WHEEL DRIVE HUB.....	4-18
CHECKING AND REPLACING THE REAR WHEEL SPROCKET.....	4-18
ADJUSTING THE REAR WHEEL STATIC BALANCE.....	4-18
INSTALLING THE REAR WHEEL.....	4-18
FRONT BRAKE	4-20
INTRODUCTION.....	4-25
CHECKING THE FRONT BRAKE DISCS.....	4-25
REPLACING THE FRONT BRAKE PADS.....	4-26
REMOVING THE FRONT BRAKE CALIPERS.....	4-27
DISASSEMBLING THE FRONT BRAKE CALIPERS.....	4-28
CHECKING THE FRONT BRAKE CALIPERS.....	4-28
ASSEMBLING THE FRONT BRAKE CALIPERS.....	4-28
INSTALLING THE FRONT BRAKE CALIPERS.....	4-29
REMOVING THE FRONT BRAKE MASTER CYLINDER.....	4-30
CHECKING THE FRONT BRAKE MASTER CYLINDER.....	4-30
ASSEMBLING THE FRONT BRAKE MASTER CYLINDER.....	4-31
INSTALLING THE FRONT BRAKE MASTER CYLINDER.....	4-31
REAR BRAKE	4-33
INTRODUCTION.....	4-38
CHECKING THE REAR BRAKE DISC.....	4-38
REPLACING THE REAR BRAKE PADS.....	4-38
REMOVING THE REAR BRAKE CALIPER.....	4-40
DISASSEMBLING THE REAR BRAKE CALIPER.....	4-40
CHECKING THE REAR BRAKE CALIPER.....	4-40
ASSEMBLING THE REAR BRAKE CALIPER.....	4-41
INSTALLING THE REAR BRAKE CALIPER.....	4-41
REMOVING THE REAR BRAKE MASTER CYLINDER.....	4-42
CHECKING THE REAR BRAKE MASTER CYLINDER.....	4-42
ASSEMBLING THE REAR BRAKE MASTER CYLINDER.....	4-43
INSTALLING THE REAR BRAKE MASTER CYLINDER.....	4-43

HANDLEBARS	4-45
REMOVING THE HANDLEBAR	4-47
CHECKING THE HANDLEBARS	4-47
INSTALLING THE HANDLEBARS.....	4-47
CHECKING THE STEERING DAMPER	4-48
FRONT FORK	4-50
REMOVING THE FRONT FORK LEGS	4-52
DISASSEMBLING THE FRONT FORK LEGS	4-52
CHECKING THE FRONT FORK LEGS.....	4-53
ASSEMBLING THE FRONT FORK LEGS	4-54
INSTALLING THE FRONT FORK LEGS	4-58
STEERING HEAD	4-59
REMOVING THE LOWER BRACKET	4-61
CHECKING THE STEERING HEAD	4-61
INSTALLING THE STEERING HEAD.....	4-61
REAR SHOCK ABSORBER ASSEMBLY	4-63
HANDLING THE REAR SHOCK ABSORBER	4-64
DISPOSING OF A REAR SHOCK ABSORBER.....	4-64
REMOVING THE REAR SHOCK ABSORBER ASSEMBLY.....	4-64
CHECKING THE REAR SHOCK ABSORBER ASSEMBLY	4-64
CHECKING THE CONNECTING ARM AND RELAY ARM	4-65
INSTALLING THE RELAY ARM.....	4-65
INSTALLING THE REAR SHOCK ABSORBER ASSEMBLY	4-65
SWINGARM	4-66
REMOVING THE SWINGARM	4-68
CHECKING THE SWINGARM	4-69
INSTALLING THE SWINGARM.....	4-69
CHAIN DRIVE	4-71
REMOVING THE DRIVE CHAIN	4-72
CHECKING THE DRIVE CHAIN	4-72
CHECKING THE REAR WHEEL SPROCKET	4-73
CHECKING THE REAR WHEEL DRIVE HUB	4-73
INSTALLING THE DRIVE CHAIN.....	4-73

EAS21830

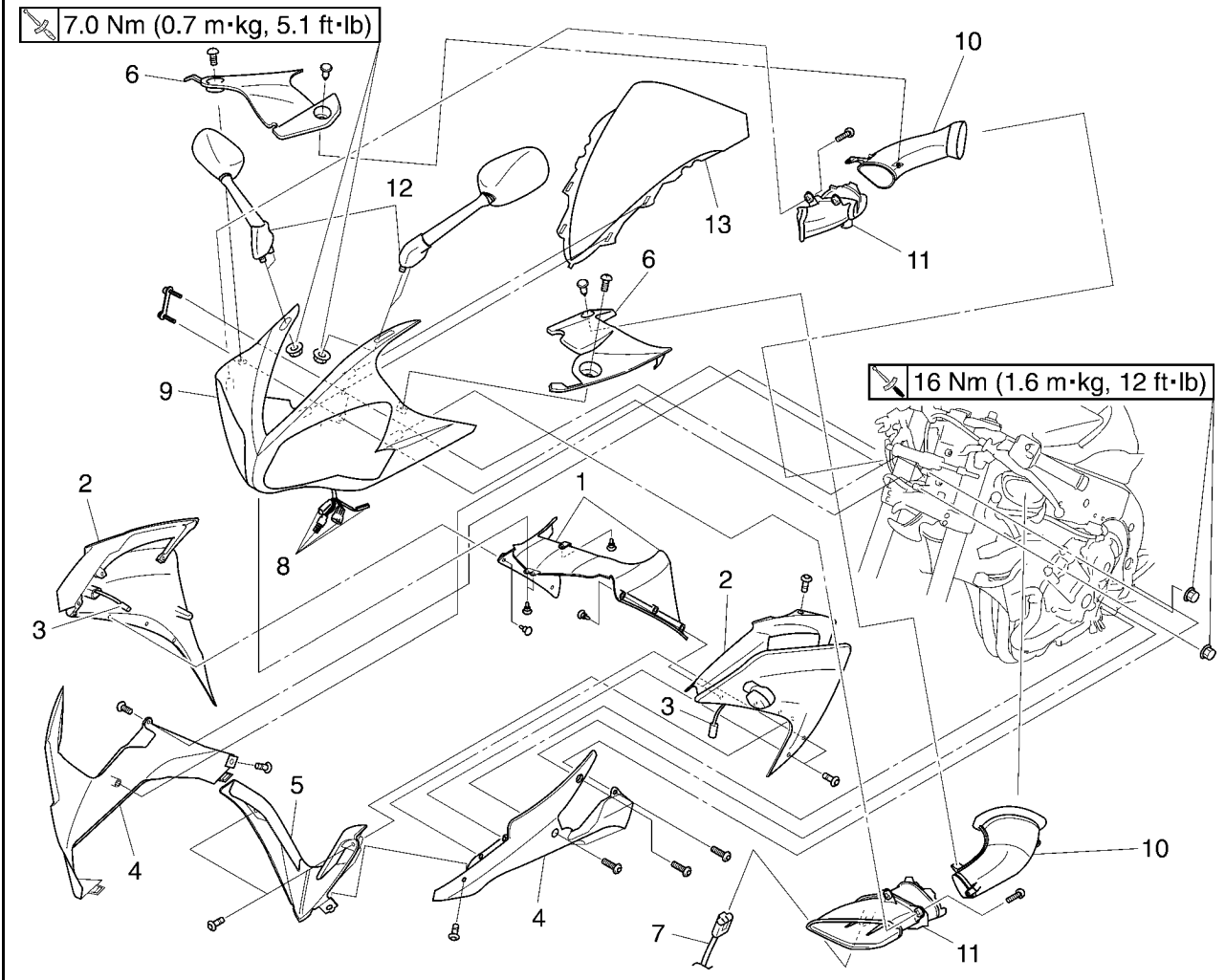
GENERAL CHASSIS

Removing the seat and battery



Order	Job/Parts to remove	Q'ty	Remarks
1	Rider seat		
2	Passenger seat	1	
3	Battery negative lead	1	
4	Battery positive lead	1	
5	ECU (engine control unit)	1	
6	ECU lead coupler	1	Disconnect.
7	ECU cover	1	
8	Battery band	1	
9	Battery	1	
10	Battery seat	1	
			For installation, reverse the removal procedure.

Removing the front cowling and side cowlings

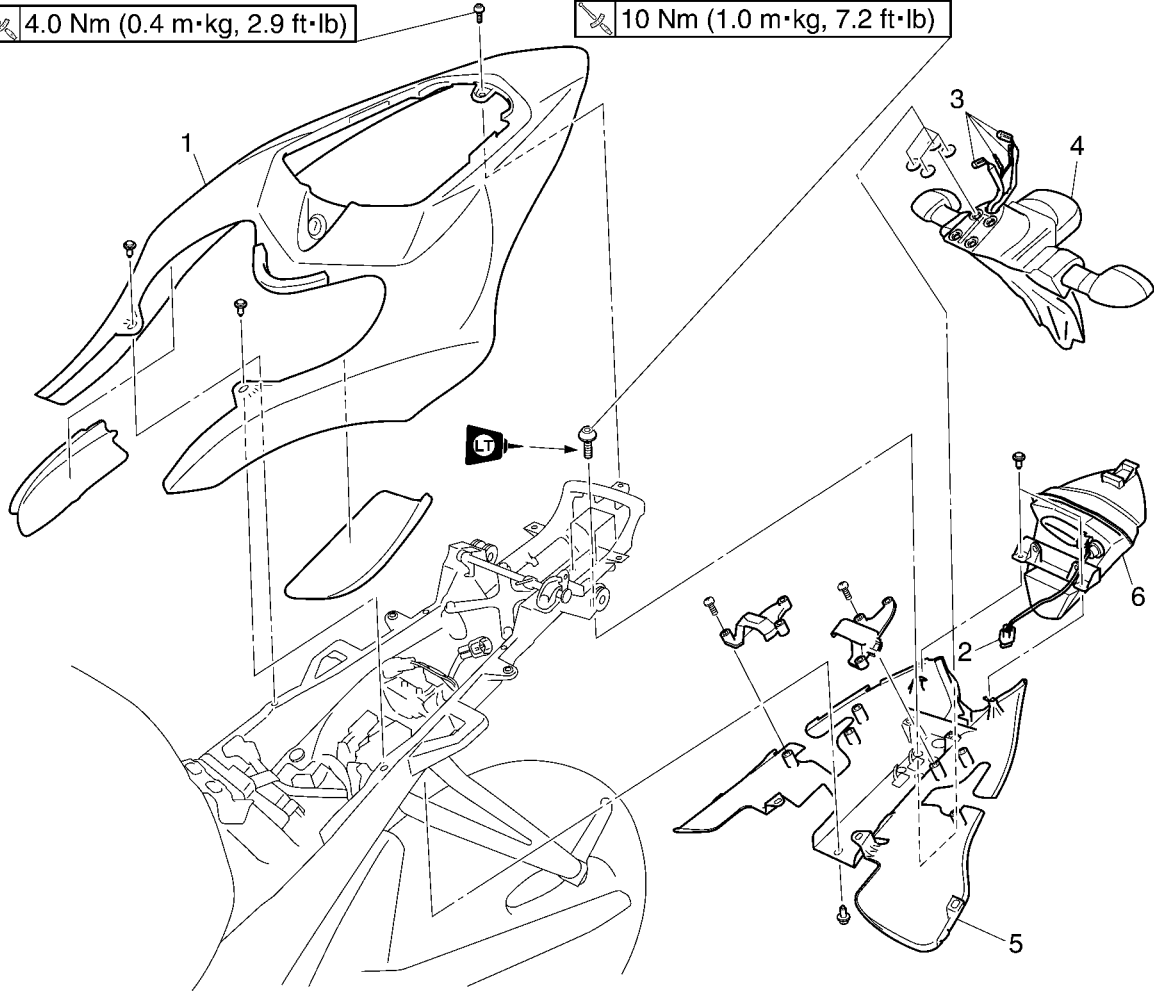


Order	Job/Parts to remove	Q'ty	Remarks
1	Side cowling inner panel	2	
2	Side cowling	2	
3	Front turn signal light lead coupler	2	Disconnect.
4	Lower cowling	2	
5	Lower cowling front cover	1	
6	Intake air duct panel	2	
7	Intake air temperature coupler	1	Disconnect.
8	Meter assembly coupler	1	Disconnect.
9	Front cowling	1	
10	Rear intake air duct	2	
11	Front intake air duct	2	
12	Rear view mirror	2	
13	Windshield	1	
			For installation, reverse the removal procedure.

Removing the rear fender

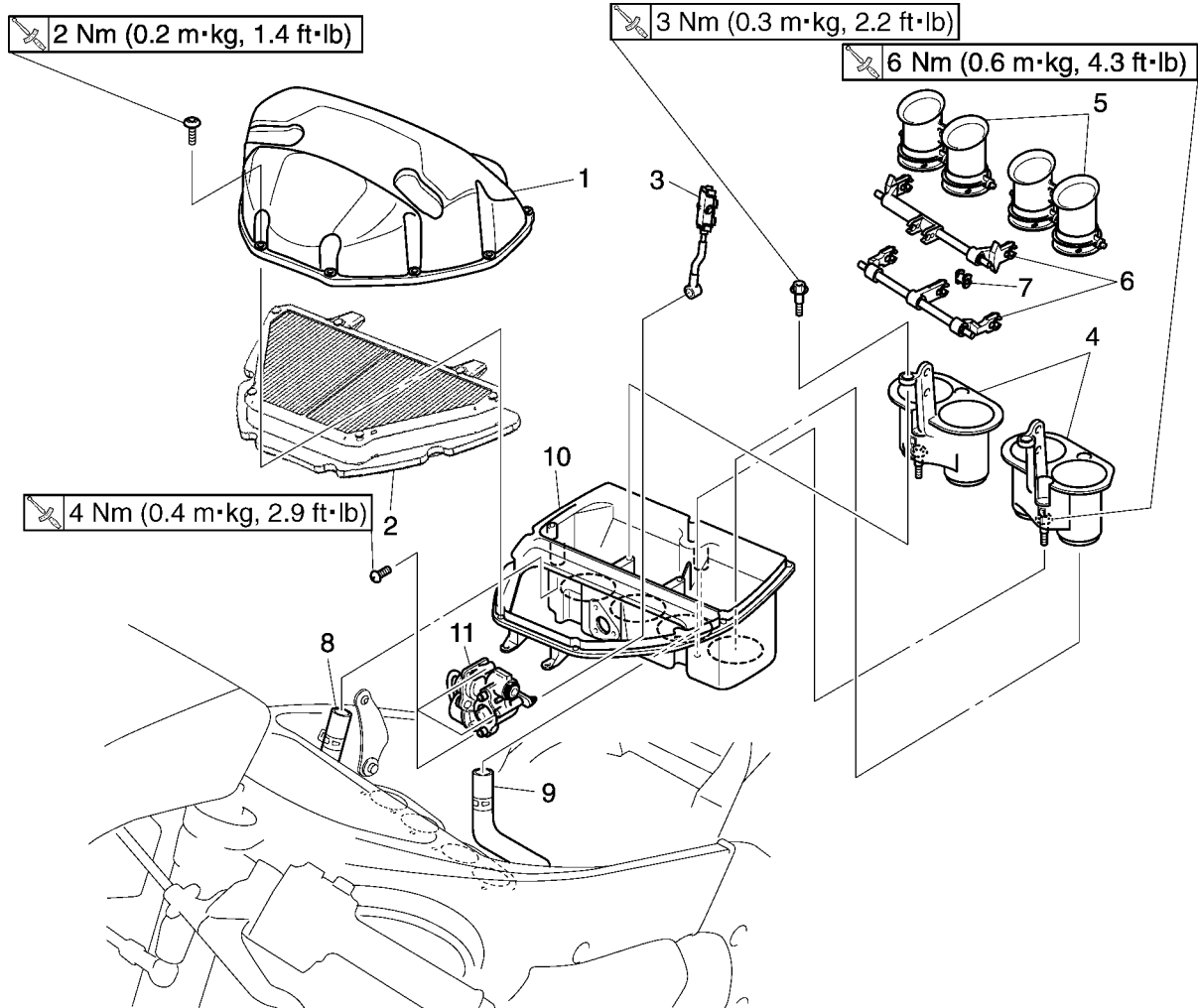
4.0 Nm (0.4 m·kg, 2.9 ft·lb)

10 Nm (1.0 m·kg, 7.2 ft·lb)



Order	Job/Parts to remove	Q'ty	Remarks
	Rider seat		Refer to "GENERAL CHASSIS" on page 4-1.
	Passenger seat		Refer to "GENERAL CHASSIS" on page 4-1.
	Muffler		Refer to "ENGINE REMOVAL" on page 5-1.
1	Upper tail cover	1	
2	Tail/brake light lead coupler	1	Disconnect.
3	Turn signal light/licence plate light lead coupler	4	Disconnect.
4	Mud guard assembly	1	
5	Lower tail cover	1	
6	Tail/brake light	1	
			For installation, reverse the removal procedure.

Removing the air filter case



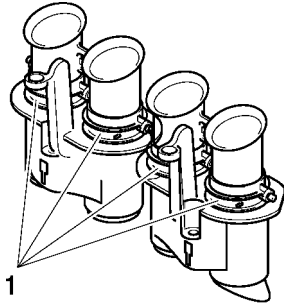
Order	Job/Parts to remove	Q'ty	Remarks
	Rider seat		Refer to "GENERAL CHASSIS" on page 4-1.
	Fuel tank		Refer to "FUEL TANK" on page 7-1.
1	Air filter case cover	1	
2	Air filter	1	
3	Intake funnel servo motor rod assembly	1	
4	Intake funnel joint	2	
5	Intake funnel	2	
6	Intake funnel rod	2	
7	Bushing 2	5	
8	Air induction system hose	1	
9	Crankcase breather hose	1	
10	Air filter case	1	
11	Intake funnel servo motor	1	
			For installation, reverse the removal procedure.

EAS4C81025

CHECKING THE INTAKE FUNNEL

1. Check:

- Intake funnel
Cracks/damage → Replace.
- Intake funnel seal rubber "1"
Cracks/damage → Replace.



- Intake funnel rods
Damage/scratches → Replace.

EAS4C81026

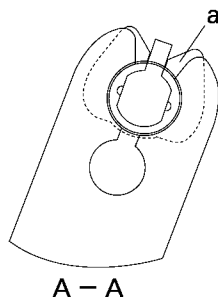
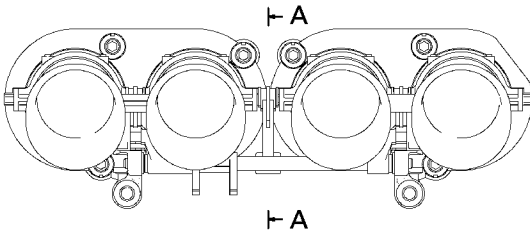
CHECKING THE INTAKE FUNNEL

1. Install:

- Intake funnel rod
- Intake funnel

NOTE:

- To install the intake funnel, do not mistake the front and rear directions.
- For Bushing 2 "a", point the direction of notch hole as shown in the illustration.



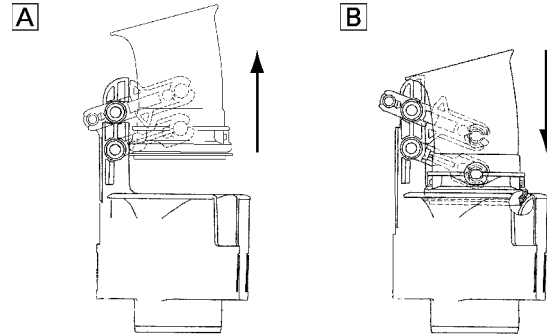
ECA4C81020

CAUTION:

- After assembly, make sure that the intake funnel smoothly moves to the contacting

surface between upper stopper and lower seating position when it is moved by hand.

- Make sure that the intake funnel smoothly strokes from the upper position to the seating position by its own weight.



A. Upper

B. Lower

- Air filter case
- Intake funnel joint bolt "1"



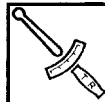
Intake funnel joint bolt
6 Nm (0.6 m·kg, 4.3 ft·lb)

ECA4C81022

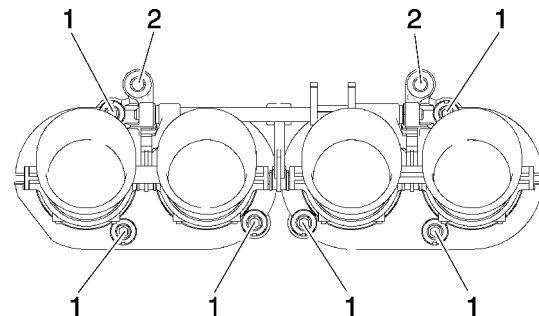
CAUTION:

Do not remove the bolts from the intake funnel joint.

- Intake funnel joint bolt "2"



Intake funnel joint bolt
3 Nm (0.3 m·kg, 2.2 ft·lb)



- Intake funnel servo motor rod assembly

EAS4C81027

CHECKING THE INTAKE FUNNEL OPERATION

1. Check:

- Intake funnel operation



- a. Activate the diagnostic mode and select the diagnostic code number "34".
Refer to "FUEL INJECTION SYSTEM" on page 8-29.
- b. Set the engine stop switch to "○".
- c. Check that the intake funnel operate smoothly strokes from the upper position to the lower seating position.



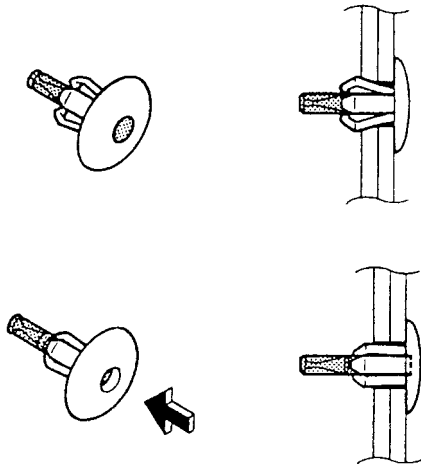
EAS21840

REMOVING THE COVER

1. Remove:
 - Tail cover
 - Rear fender

NOTE:

To remove the quick fastener, push its center with a screwdriver, then pull the fastener out.



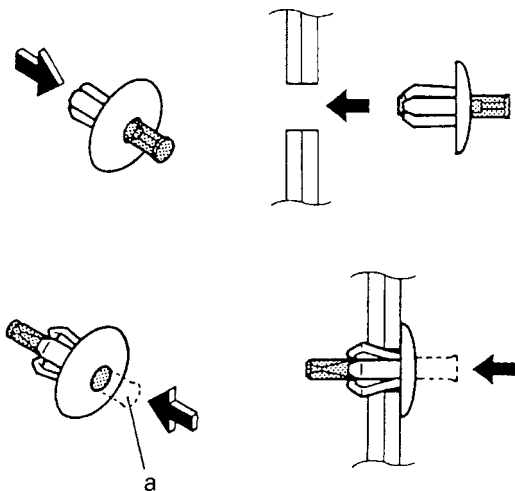
EAS21850

INSTALLING THE COVER

1. Install:
 - Rear fender
 - Tail cover

NOTE:

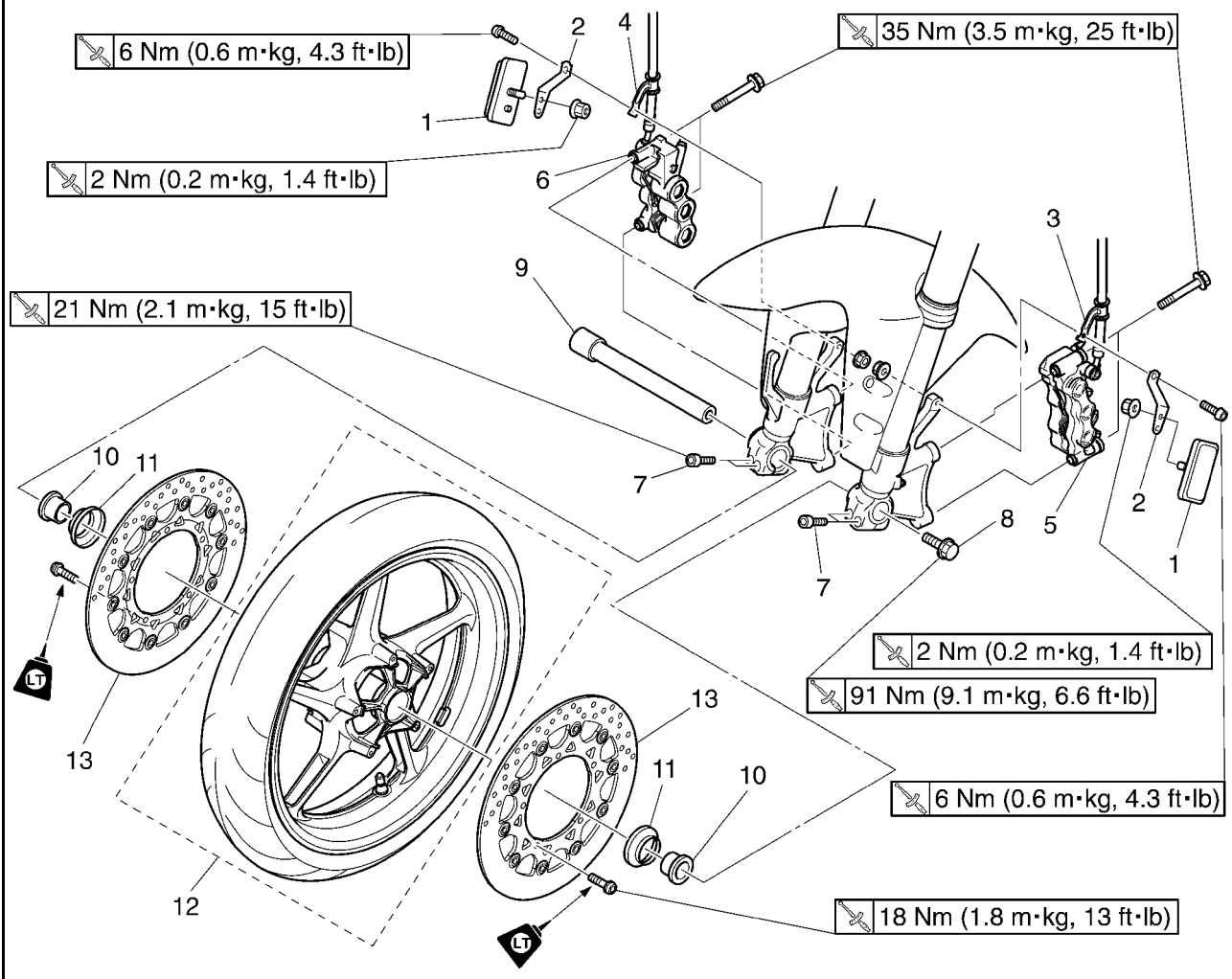
To install the quick fastener, push its pin so that it protrudes from the fastener head, then insert the fastener into the cover and push the pin "a" in with screwdriver. Make sure that the pin is flush with the fastener's head.



EAS21870

FRONT WHEEL

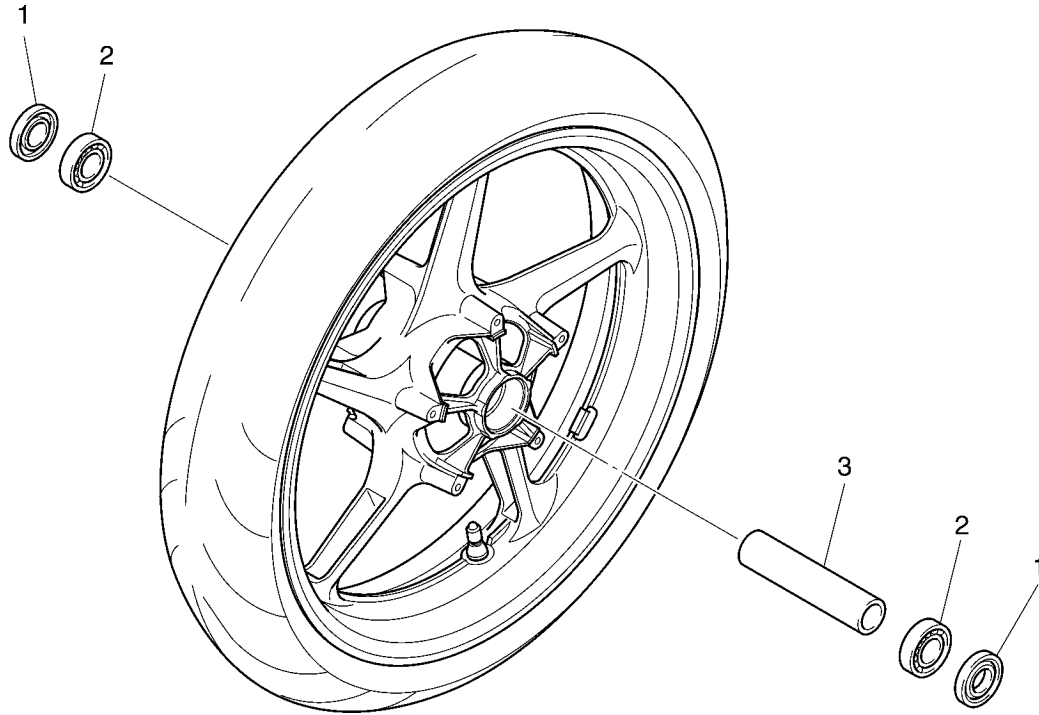
Removing the front wheel and brake discs



Order	Job/Parts to remove	Q'ty	Remarks
1	Reflector	2	
2	Reflector bracket	2	
3	Left brake hose holder	1	
4	Right brake hose holder	1	
5	Left front brake caliper	1	
6	Right front brake caliper	1	
7	Front wheel axle pinch bolt	4	
8	Front wheel axle bolt	1	
9	Front wheel axle	1	
10	Collar (left and right)	2	
11	Dust cover (left and right)	2	
12	Front wheel	1	
13	Front brake disc (left and right)	2	
			For installation, reverse the removal procedure.

FRONT WHEEL

Disassembling the front wheel



Order	Job/Parts to remove	Q'ty	Remarks
1	Oil seal (left and right)	2	
2	Wheel bearing (left and right)	1	
3	Spacer	1	
			For assembly, reverse the disassembly procedure.

EAS21900

REMOVING THE FRONT WHEEL

1. Stand the vehicle on a level surface.

EWA13120



Securely support the vehicle so that there is no danger of it falling over.

NOTE:

Place the vehicle on a suitable stand so that the front wheel is elevated.

2. Remove:
 - Left brake caliper
 - Right brake caliper

NOTE:

Do not apply the brake lever when removing the brake calipers.

3. Elevate:
 - Front wheel

NOTE:

Place the vehicle on a suitable stand so that the front wheel is elevated.

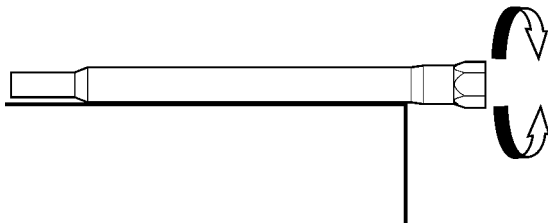
4. Loosen:
 - Front wheel axle pinch bolt
5. Remove:
 - Front wheel axle bolt
 - Front wheel axle
 - Front wheel

EAS21920

CHECKING THE FRONT WHEEL

1. Check:
 - Wheel axle

Roll the wheel axle on a flat surface.
Bends → Replace.



EWA13460



Do not attempt to straighten a bent wheel axle.

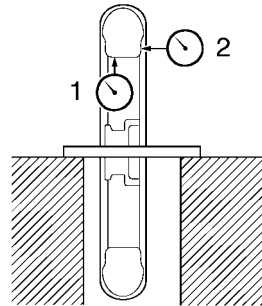
2. Check:
 - Tire
 - Front wheel

Damage/wear → Replace.

Refer to "CHECKING THE TIRES" on page 3-32 and "CHECKING THE WHEELS" on page 3-34.

3. Measure:
 - Radial wheel runout "1"
 - Lateral wheel runout "2"

Over the specified limits → Replace.



I2010402



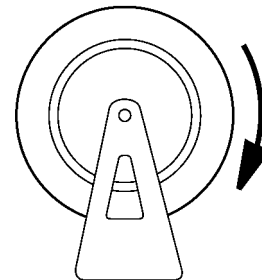
**Radial wheel runout limit
1.0 mm (0.04 in)
Lateral wheel runout limit
0.5 mm (0.02 in)**

4. Check:
 - Wheel bearings

Front wheel turns roughly or is loose → Replace the wheel bearings.

 - Oil seals

Damage/wear → Replace.

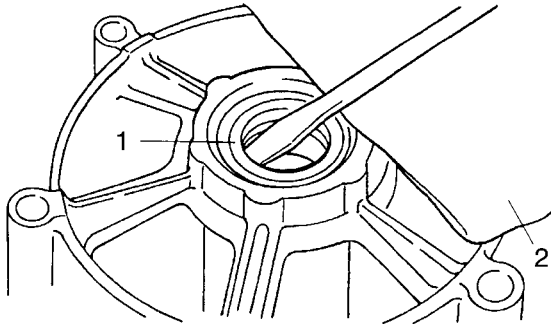


5. Replace:
 - Wheel bearings **New**
 - Oil seals **New**

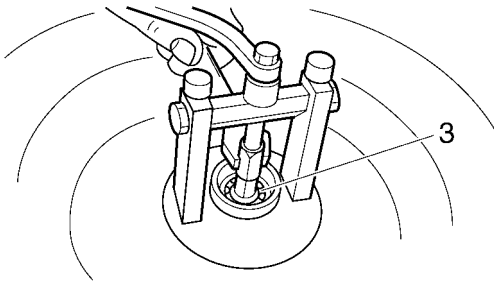
- a. Clean the outside of the front wheel hub.
- b. Remove the oil seals "1" with a flat-head screwdriver.

NOTE:

To prevent damaging the wheel, place a rag "2" between the screwdriver and the wheel surface.



- c. Remove the wheel bearings "3" with a general bearing puller.



- d. Install the new wheel bearings and oil seals in the reverse order of disassembly.

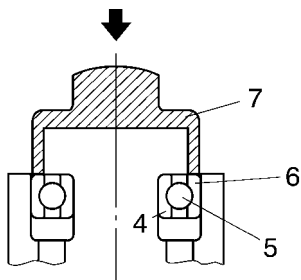
ECA14130

CAUTION:

Do not contact the wheel bearing inner race "4" or balls "5". Contact should be made only with the outer race "6".

NOTE:

Use a socket "7" that matches the diameter of the wheel bearing outer race and oil seal.



EAS21970

ADJUSTING THE FRONT WHEEL STATIC BALANCE

NOTE:

- After replacing the tire, wheel or both, the front wheel static balance should be adjusted.

- Adjust the front wheel static balance with the brake disc installed.

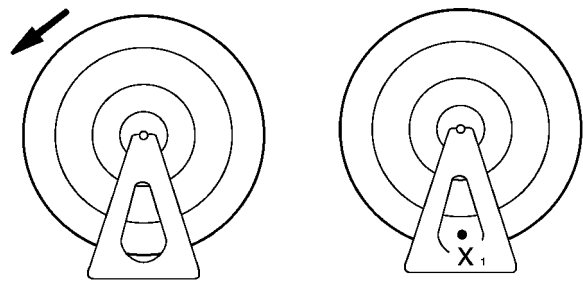
- Remove:
 - Balancing weight(s)
- Find:
 - Front wheel's heavy spot

NOTE:

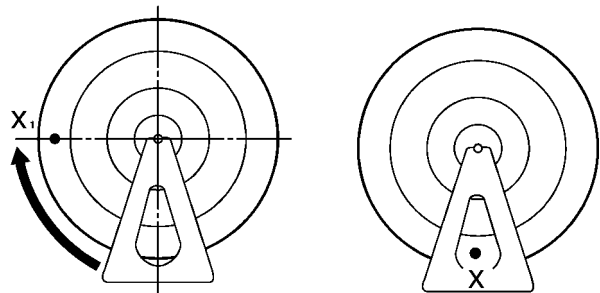
Place the front wheel on a suitable balancing stand.



- Spin the front wheel.
- When the front wheel stops, put an "X₁" mark at the bottom of the wheel.



- Turn the front wheel 90° so that the "X₁" mark is positioned as shown.
- Release the front wheel.
- When the wheel stops, put an "X₂" mark at the bottom of the wheel.



- Repeat steps (d) through (f) several times until all the marks come to rest at the same spot.
- The spot where all the marks come to rest is the front wheel's heavy spot "X".

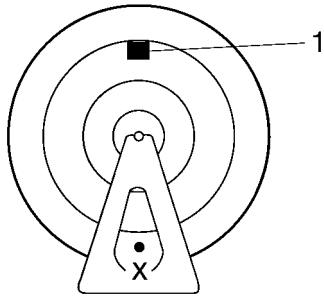


- Adjust:
 - Front wheel static balance

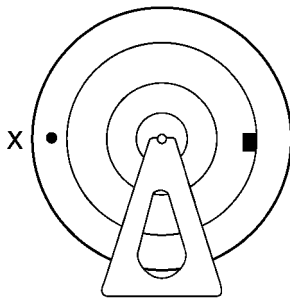


- Install a balancing weight "1" onto the rim exactly opposite the heavy spot "X".

NOTE: _____
Start with the lightest weight.



b. Turn the front wheel 90° so that the heavy spot is positioned as shown.



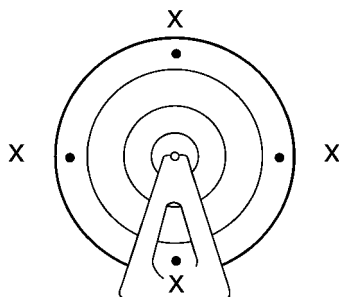
c. If the heavy spot does not stay in that position, install a heavier weight.
d. Repeat steps (b) and (c) until the front wheel is balanced.



4. Check:
• Front wheel static balance



a. Turn the front wheel and make sure it stays at each position shown.



b. If the front wheel does not remain stationary at all of the positions, rebalance it.



EAS22000

INSTALLING THE FRONT WHEEL

The following procedure applies to both of the brake discs.

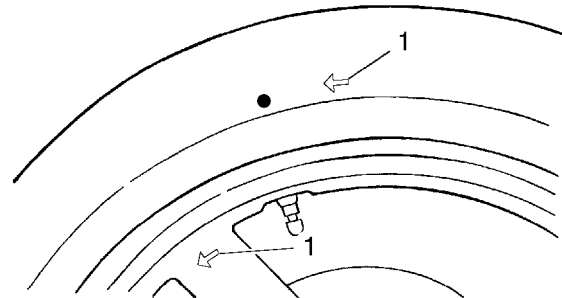
1. Lubricate:
 - Wheel axle
 - Oil seal lips



Recommended lubricant
Lithium-soap-based grease

2. Lift the wheel up between the fork legs.
3. Insert the wheel axle.

NOTE: _____
Install the tire and wheel with the mark "1" pointing in the direction of wheel rotation.

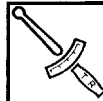


4. Lower the front wheel so that it is on the ground.
5. Tighten:
 - Front wheel axle bolt



Front wheel axle bolt
91 Nm (9.1 m·kg, 66 ft·lb)

- Front wheel axle pinch bolt



Front wheel axle pinch bolt
21 Nm (2.1 m·kg, 15 ft·lb)

ECA4C81001

CAUTION:

Before tightening the wheel axle, push down hard on the handlebar(s) several times and check if the front fork rebounds smoothly.

6. Install:
 - Front brake calipers



Front brake caliper bolt
35 Nm (3.5 m·kg, 25 ft·lb)

EWA13490



Make sure the brake cable is routed properly.

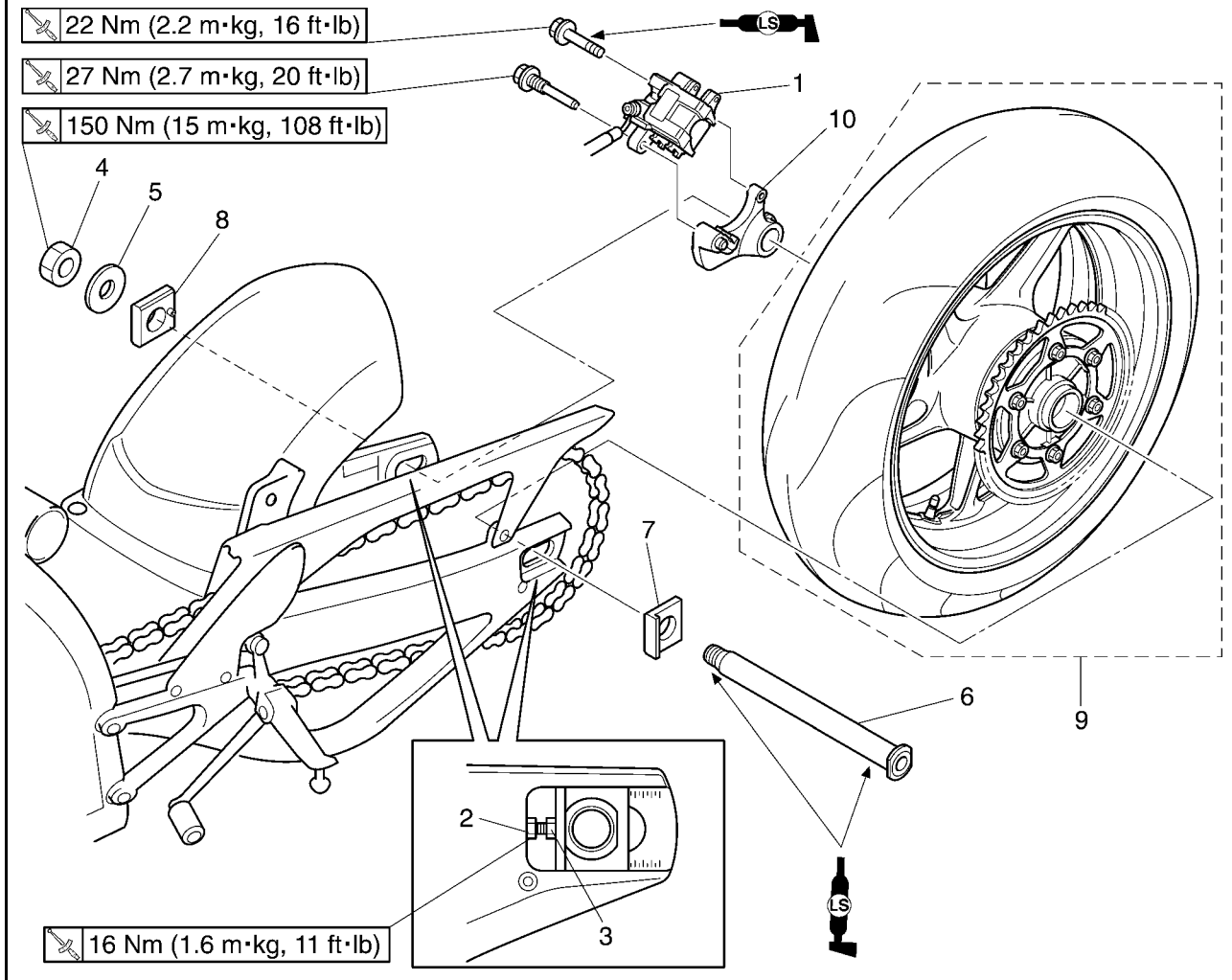
NOTE:

Make sure that there is enough space between the brake pads before installing the brake calipers on to the brake discs.

EAS22020

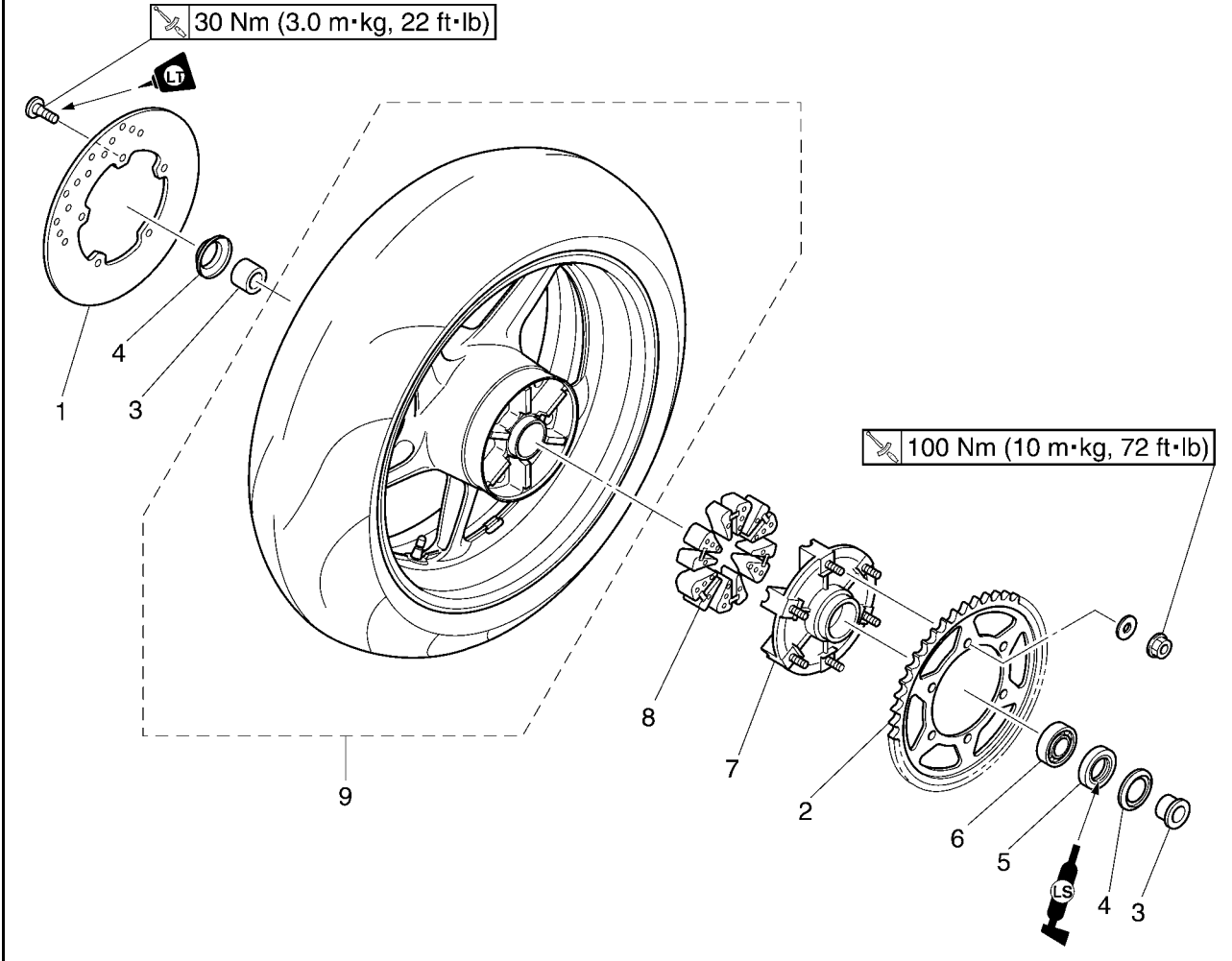
REAR WHEEL

Removing the rear wheel



Order	Job/Parts to remove	Q'ty	Remarks
1	Rear brake caliper	1	
2	Locknut (left and right)	2	Loosen.
3	Adjusting bolt (left and right)	2	Loosen.
4	Rear wheel axle nut	1	
5	Washer	1	
6	Rear wheel axle	1	
7	Left adjusting block	1	
8	Right adjusting block	1	
9	Rear wheel	1	
10	Rear brake caliper bracket	1	
			For installation, reverse the removal procedure.

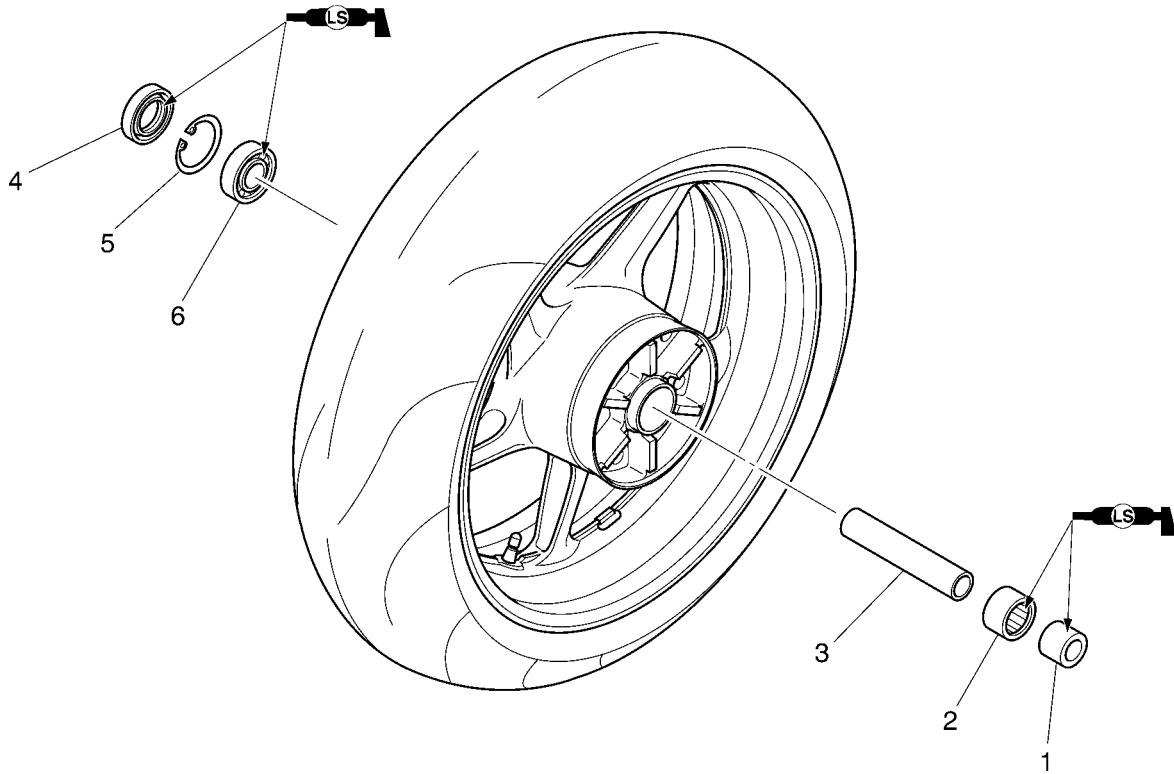
Removing the brake disc and rear wheel sprocket



Order	Job/Parts to remove	Q'ty	Remarks
1	Rear brake disc	1	
2	Rear wheel sprocket	1	
3	Collar	2	
4	Dust cover	2	
5	Oil seal	1	
6	Bearing	1	
7	Rear wheel drive hub	1	
8	Rear wheel drive hub damper	6	
9	Rear wheel	1	
			For installation, reverse the removal procedure.

REAR WHEEL

Disassembling the rear wheel



Order	Job/Parts to remove	Q'ty	Remarks
1	Collar	1	
2	Bearing	1	
3	Spacer	1	
4	Oil seal	1	
5	Circlip	1	
6	Bearing	1	
			For assembly, reverse the disassembly procedure.

EAS22040

REMOVING THE REAR WHEEL

1. Stand the vehicle on a level surface.

EWA13120

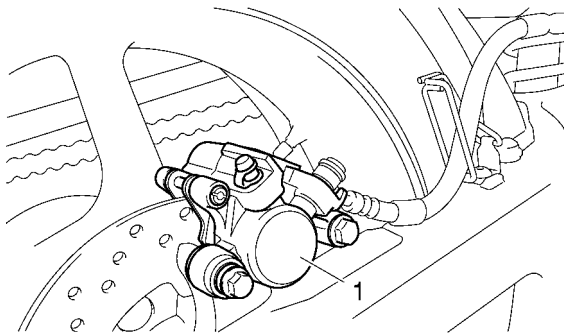
WARNING

Securely support the vehicle so that there is no danger of it falling over.

NOTE:

Place the vehicle on a suitable stand so that the rear wheel is elevated.

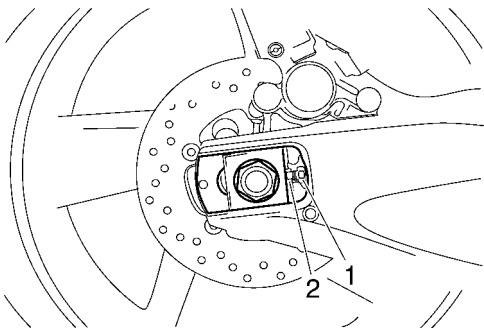
2. Remove:
 - Brake caliper "1"



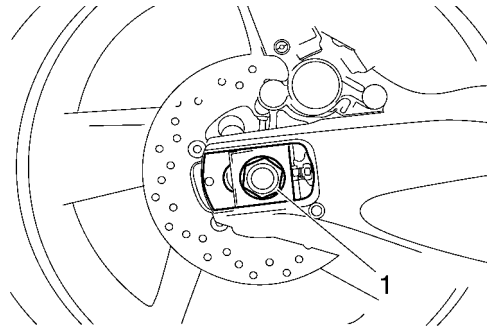
NOTE:

Do not depress the brake pedal when removing the brake caliper.

3. Loosen:
 - Locknut "1"
 - Adjusting nut "2"



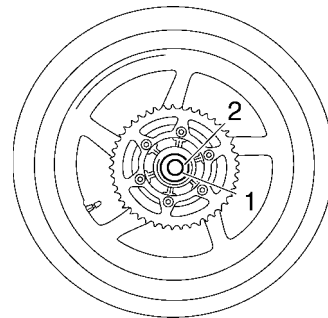
4. Remove:
 - Wheel axle nut "1"
 - Wheel axle
 - Rear wheel



NOTE:

Push the rear wheel forward and remove the drive chain from the rear wheel sprocket.

5. Remove:
 - Left collar "1"
 - Rear wheel drive hub "2"
 - Rear wheel drive hub damper
 - Right collar



EAS22090

CHECKING THE REAR WHEEL

1. Check:
 - Wheel axle
 - Rear wheel
 - Wheel bearings
 - Oil seals

Refer to "CHECKING THE FRONT WHEEL" on page 4-10.
2. Check:
 - Tire
 - Rear wheel

Damage/wear → Replace.

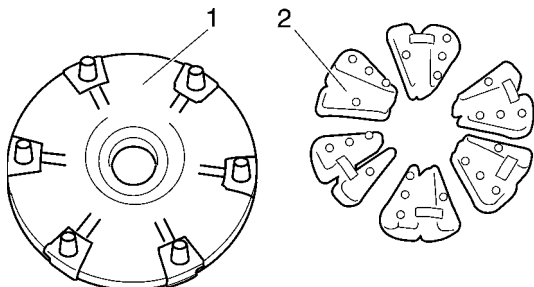
Refer to "CHECKING THE TIRES" on page 3-32 and "CHECKING THE WHEELS" on page 3-34.
3. Measure:
 - Radial wheel runout
 - Lateral wheel runout

Refer to "CHECKING THE FRONT WHEEL" on page 4-10.

EAS22110

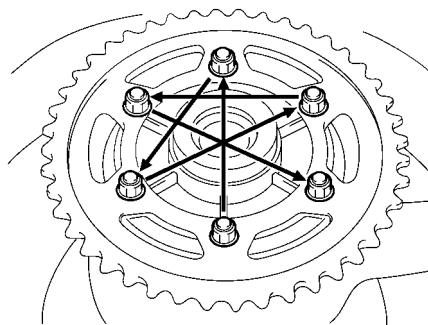
CHECKING THE REAR WHEEL DRIVE HUB

- Check:
 - Rear wheel drive hub "1"
Cracks/damage → Replace.
 - Rear wheel drive hub dampers "2"
Damage/wear → Replace.



NOTE:

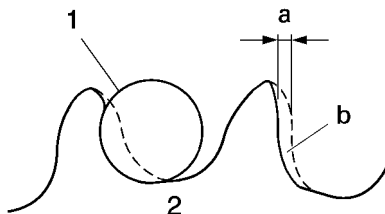
Tighten the self-locking nuts in stages and in a crisscross pattern.



EAS22120

CHECKING AND REPLACING THE REAR WHEEL SPROCKET

- Check:
 - Rear wheel sprocket
More than 1/4 tooth "a" wear → Replace the rear wheel sprocket.
Bent teeth → Replace the rear wheel sprocket.



b. Correct

- Drive chain roller
- Rear wheel sprocket

2. Replace:

- Rear wheel sprocket

- Remove the self-locking nuts and the rear wheel sprocket.
- Clean the rear wheel drive hub with a clean cloth, especially the surfaces that contact the sprocket.
- Install the new rear wheel sprocket.



Rear wheel sprocket self-locking nut
100 Nm (10 m·kg, 72 ft·lb)

EAS22150

ADJUSTING THE REAR WHEEL STATIC BALANCE

NOTE:

- After replacing the tire, wheel or both, the rear wheel static balance should be adjusted.
- Adjust the rear wheel static balance with the brake disc and rear wheel drive hub installed.

1. Adjust:

- Rear wheel static balance
Refer to "ADJUSTING THE FRONT WHEEL STATIC BALANCE" on page 4-11.

EAS22160

INSTALLING THE REAR WHEEL

1. Lubricate:

- Wheel axle
- Wheel bearings
- Oil seal lips



Recommended lubricant
Lithium-soap-based grease

2. Adjust:

- Drive chain slack
Refer to "ADJUSTING THE DRIVE CHAIN SLACK" on page 3-26.



Drive chain slack
30.0–40.0 mm (1.18–1.57 in)

3. Tighten:

- Rear wheel axle nut
- Rear brake caliper bolts



Rear wheel axle nut
150 Nm (15.0 m·kg, 108 ft·lb)
Rear brake caliper bolt (front
side)
27 Nm (2.7 m·kg, 20 ft·lb)
Rear brake caliper bolt (rear
side)
22 Nm (2.2 m·kg, 16 ft·lb)

EWA13500



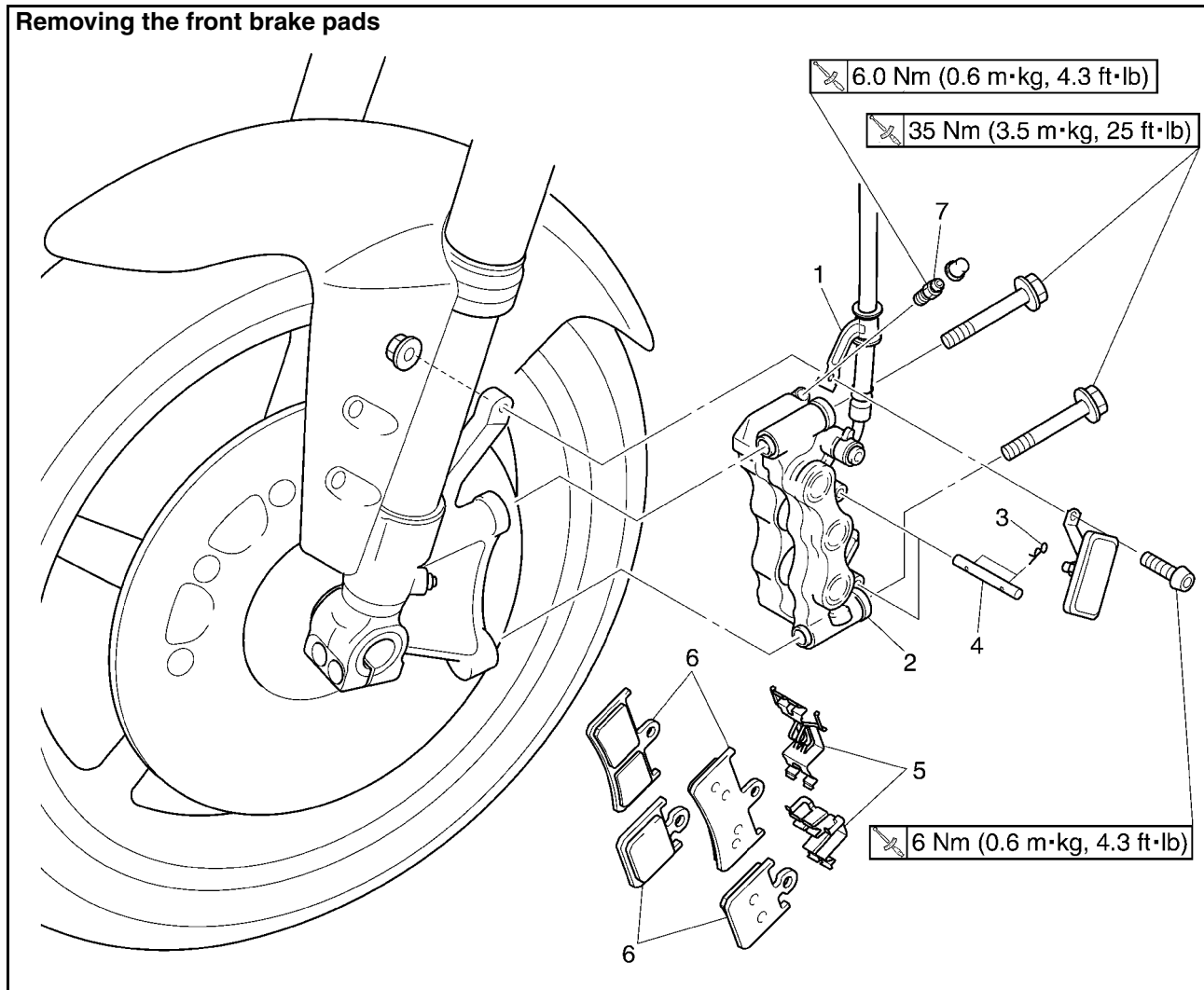
WARNING

Make sure the brake hose is routed properly.

EAS22210

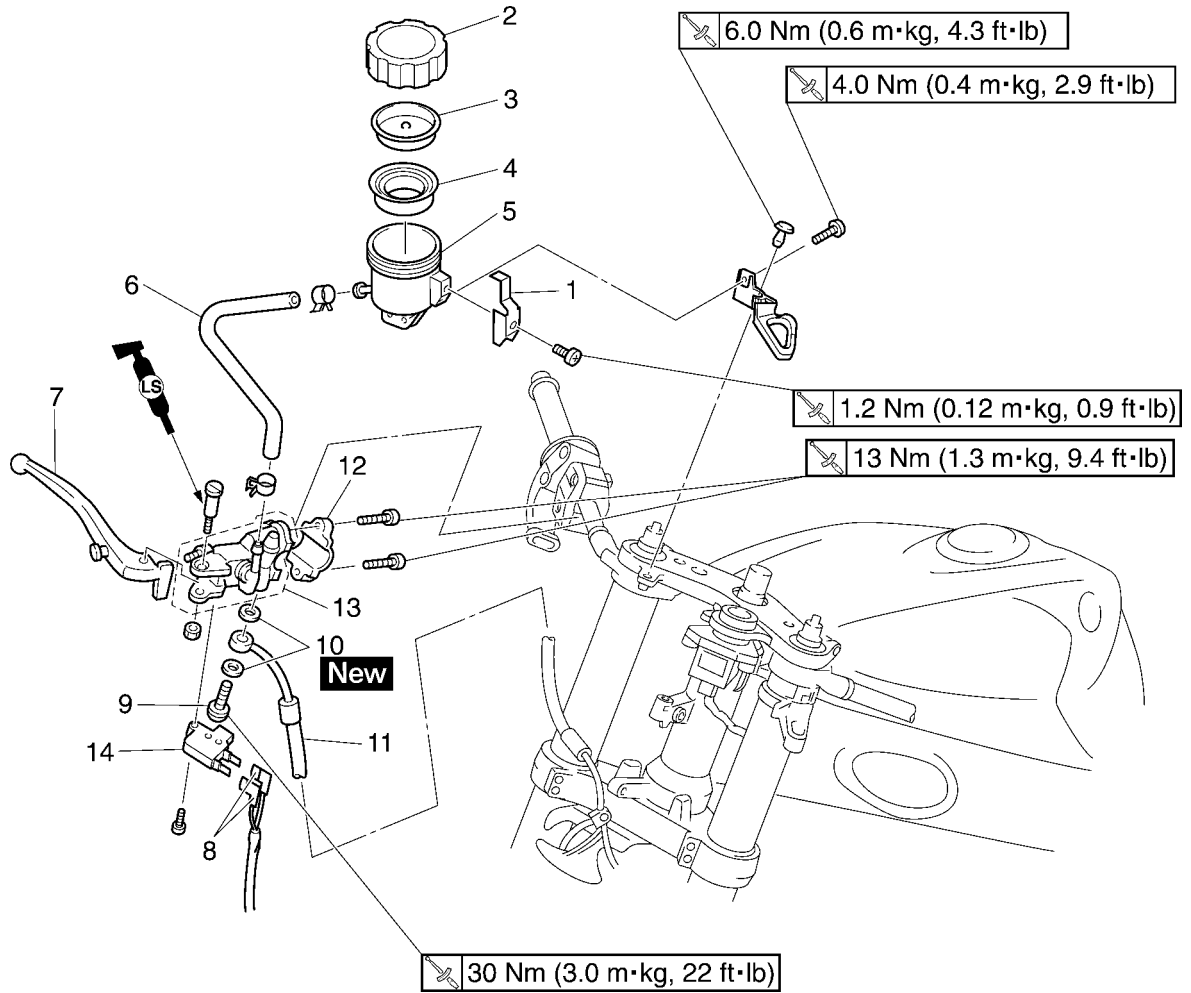
FRONT BRAKE

Removing the front brake pads



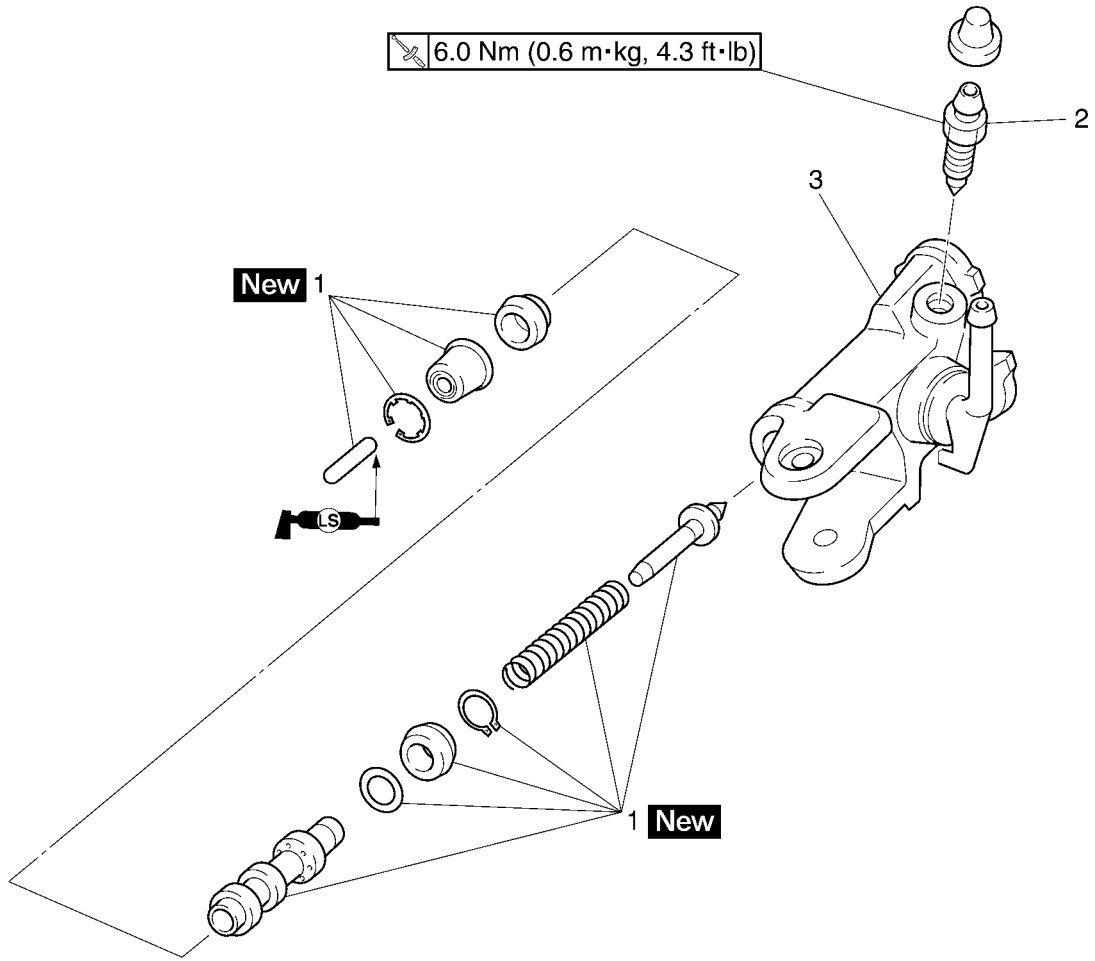
Order	Job/Parts to remove	Q'ty	Remarks
1	Brake hose holder	1	
2	Front brake caliper	1	
3	Brake pad clip	4	
4	Brake pad pin	2	
5	Brake pad spring	2	
6	Brake pad	4	
7	Bleed screw	1	
			For installation, reverse the removal procedure.

Removing the front brake master cylinder



Order	Job/Parts to remove	Q'ty	Remarks
	Brake fluid		Drain. Refer to "BLEEDING THE HYDRAULIC BRAKE SYSTEM" on page 3-25.
1	Stopper	1	
2	Brake fluid reservoir cap	1	
3	Brake fluid reservoir diaphragm holder	1	
4	Brake fluid reservoir diaphragm	1	
5	Brake fluid reservoir tank	1	
6	Brake fluid reservoir hose	1	
7	Brake lever	1	
8	Front brake light switch lead connector	1	Disconnect.
9	Union bolt	1	
10	Copper washer	2	
11	Brake hose	1	
12	Brake master cylinder holder	1	
13	Brake master cylinder	1	
14	Front brake light switch	1	
			For installation, reverse the removal procedure.

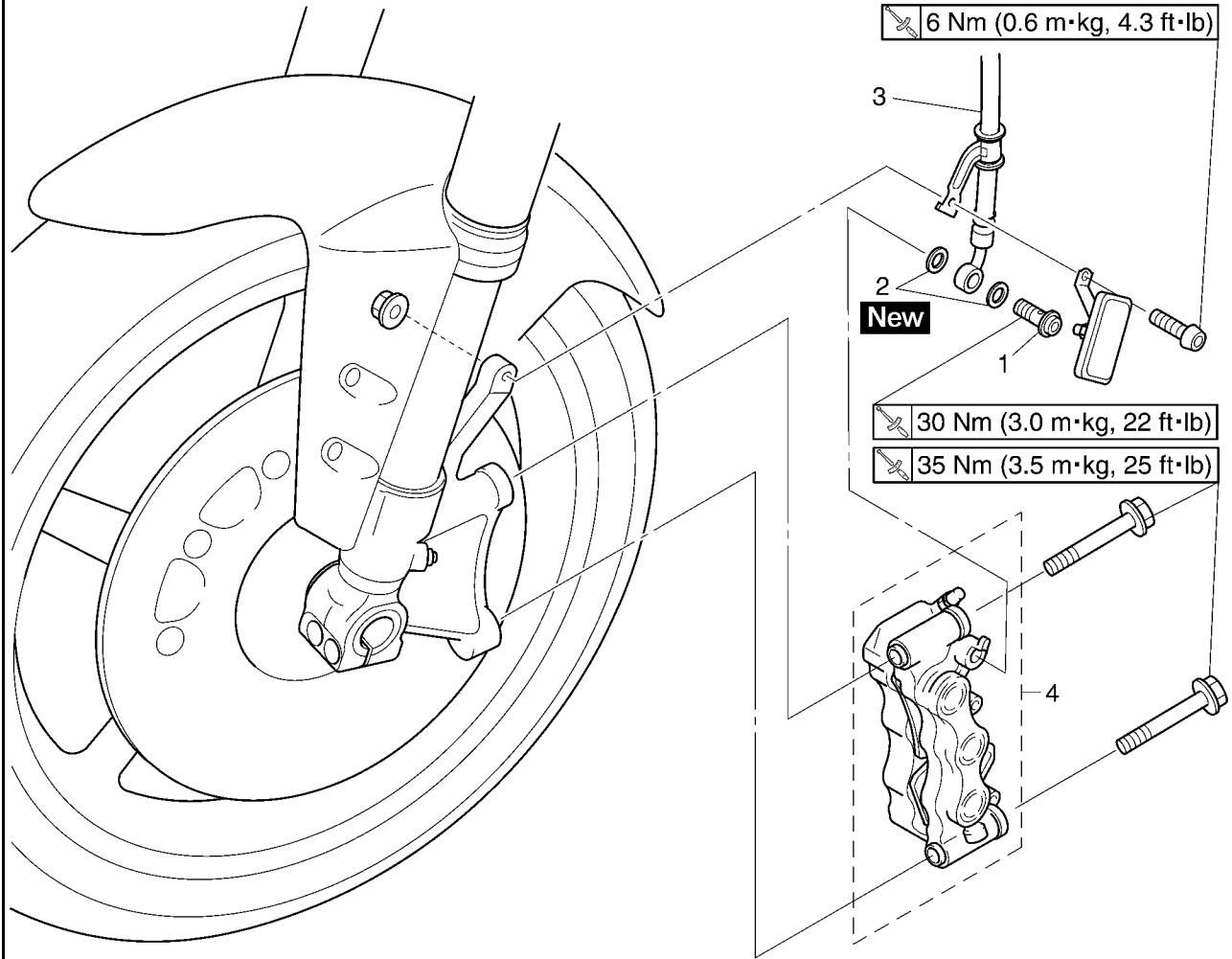
Disassembling the front brake master cylinder



Order	Job/Parts to remove	Q'ty	Remarks
1	Brake master cylinder kit	1	
2	Bleed screw	1	
3	Brake master cylinder body	1	
			For assembly, reverse the disassembly procedure.

FRONT BRAKE

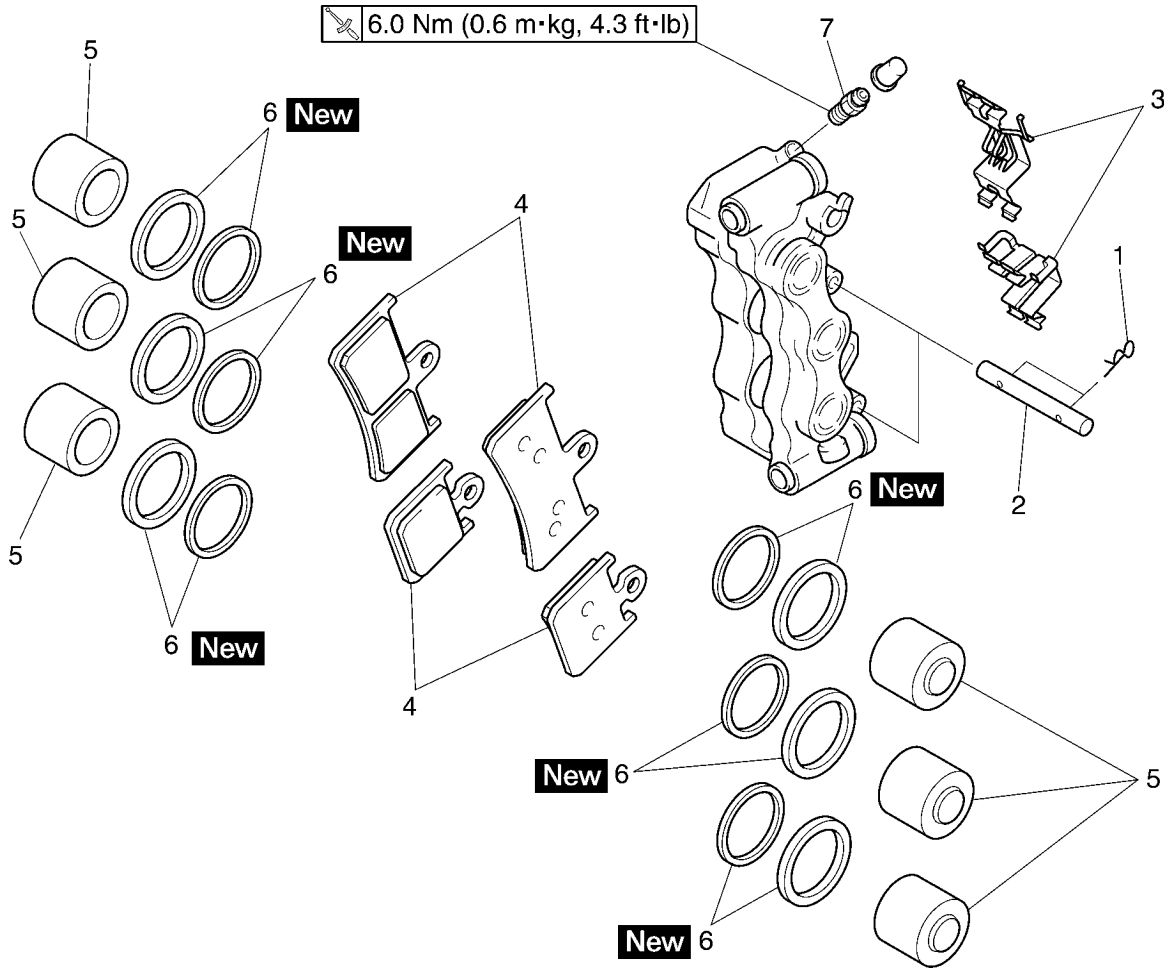
Removing the front brake calipers



Order	Job/Parts to remove	Q'ty	Remarks
	Brake fluid		Drain. Refer to "BLEEDING THE HYDRAULIC BRAKE SYSTEM" on page 3-25.
1	Union bolt	1	
2	Copper washer	2	
3	Brake hose	1	
4	Brake caliper	1	
			For installation, reverse the removal procedure.

FRONT BRAKE

Disassembling the front brake calipers



Order	Job/Parts to remove	Q'ty	Remarks
1	Brake pad clip	4	
2	Brake pad pin	2	
3	Brake pad spring	2	
4	Brake pad	4	
5	Brake caliper piston	6	
6	Brake caliper piston seal	12	
7	Bleed screw	1	
			For assembly, reverse the disassembly procedure.

EAS22220

INTRODUCTION

EWA14100



WARNING

Disc brake components rarely require disassembly. Therefore, always follow these preventive measures:

- Never disassemble brake components unless absolutely necessary.
- If any connection on the hydraulic brake system is disconnected, the entire brake system must be disassembled, drained, cleaned, properly filled, and bled after reassembly.
- Never use solvents on internal brake components.
- Use only clean or new brake fluid for cleaning brake components.
- Brake fluid may damage painted surfaces and plastic parts. Therefore, always clean up any spilt brake fluid immediately.
- Avoid brake fluid coming into contact with the eyes as it can cause serious injury.
- **FIRST AID FOR BRAKE FLUID ENTERING THE EYES:**
- Flush with water for 15 minutes and get immediate medical attention.

EAS22240

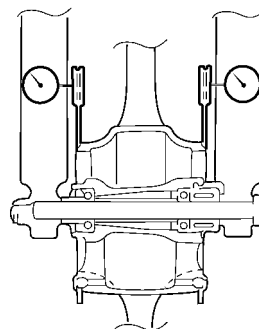
CHECKING THE FRONT BRAKE DISCS

The following procedure applies to both brake discs.

1. Remove:
 - Front wheel
Refer to "FRONT WHEEL" on page 4-8.
2. Check:
 - Brake disc
Damage/galling → Replace.
3. Measure:
 - Brake disc deflection
Out of specification → Correct the brake disc deflection or replace the brake disc.



Brake disc deflection limit
0.10 mm (0.0039 in)

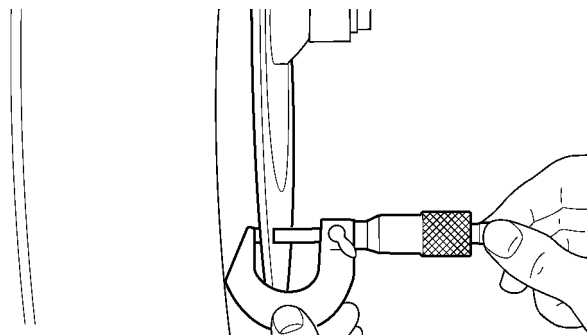


- a. Place the vehicle on a suitable stand so that the front wheel is elevated.
- b. Before measuring the front brake disc deflection, turn the handlebar to the left or right to ensure that the front wheel is stationary.
- c. Remove the brake caliper.
- d. Hold the dial gauge at a right angle against the brake disc surface.
- e. Measure the deflection 1.5 mm (0.06 in) below the edge of the brake disc.

4. Measure:
 - Brake disc thickness
Measure the brake disc thickness at a few different locations.
Out of specification → Replace.



Brake disc thickness limit
4.5 mm (0.18 in)



5. Adjust:
 - Brake disc deflection

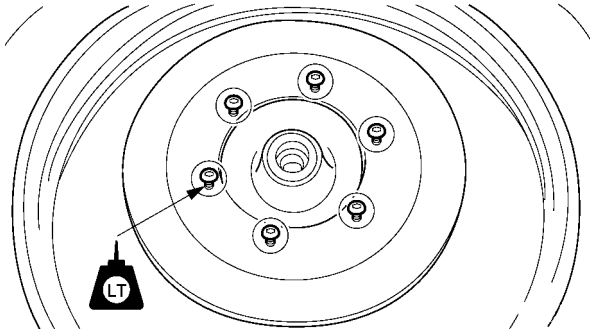
- a. Remove the brake disc.
- b. Rotate the brake disc by one bolt hole.
- c. Install the brake disc.

NOTE:

Tighten the brake disc bolts in stages and in a crisscross pattern.



Front brake disc bolt
18 Nm (1.8 m·kg, 13 ft·lb)
LOCTITE®



- d. Measure the brake disc deflection.
- e. If out of specification, repeat the adjustment steps until the brake disc deflection is within specification.
- f. If the brake disc deflection cannot be brought within specification, replace the brake disc.



6. Install:
 - Front wheel
 Refer to "FRONT WHEEL" on page 4-8.

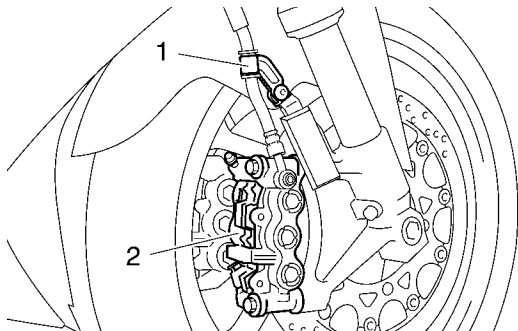
EAS22260

REPLACING THE FRONT BRAKE PADS

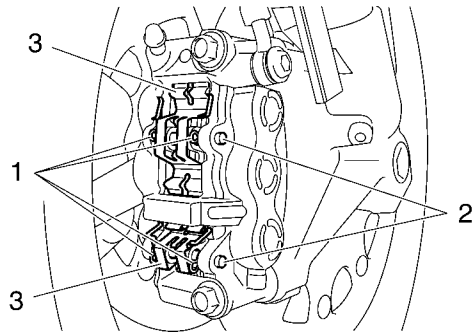
NOTE:

When replacing the brake pads, it is not necessary to disconnect the brake hose or disassemble the brake caliper.

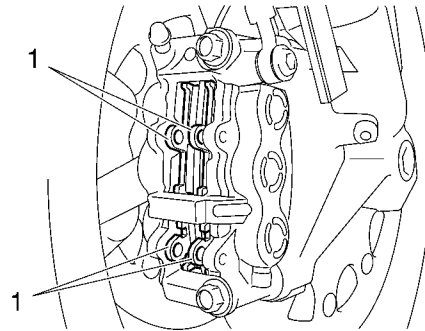
1. Remove:
 - Brake hose holder "1"
 - Brake caliper "2"



2. Remove:
 - Brake pad clips "1"
 - Brake pad pins "2"
 - Brake pad springs "3"



3. Remove:
 - Brake pads "1"



4. Measure:
 - Brake pad wear limit "a"
 Out of specification → Replace the brake pads as a set.



Brake pad lining thickness (inner)

4.5 mm (0.18 in)

Limit

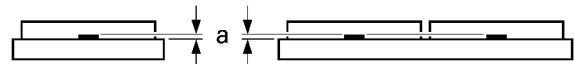
0.8 mm (0.03 in)

Brake pad lining thickness (outer)

4.5 mm (0.18 in)

Limit

0.8 mm (0.03 in)



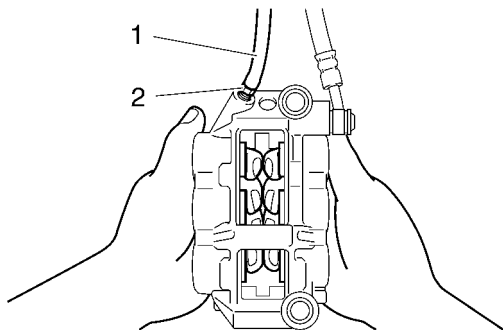
5. Install:
 - Brake pads
 - Brake pad spring

NOTE: _____


Always install new brake pads and a new brake pad spring as a set.



- a. Connect a clear plastic hose “1” tightly to the bleed screw “2”. Put the other end of the hose into an open container.



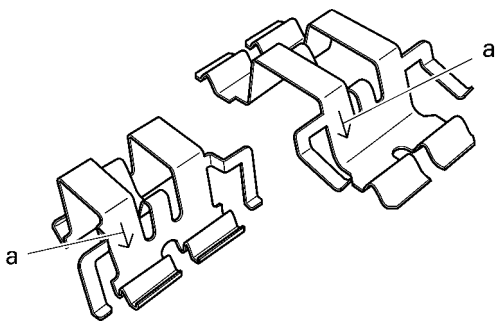
- b. Loosen the bleed screw and push the brake caliper pistons into the brake caliper with your finger.
- c. Tighten the bleed screw.

	Bleed screw 6 Nm (0.6 m·kg, 4.3 ft·lb)
--	---


- d. Install new brake pads and a new brake pad spring.

NOTE: _____

The arrow mark “a” on the brake pad springs must point in the direction of disc rotation.



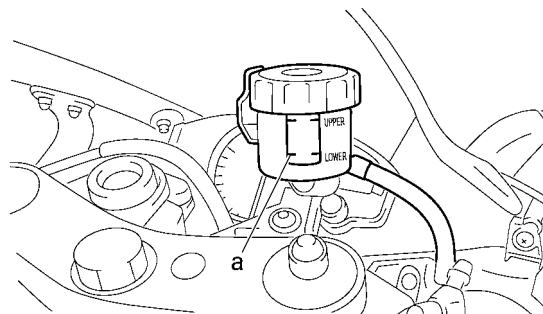
6. Install:
 - Brake pad pins
 - Brake pad clips
 - Brake caliper

	Front brake caliper bolt 35 Nm (3.5 m·kg, 25 ft·lb)
---	--

7. Check:
 - Brake fluid level

Below the minimum level mark “a” → Add the recommended brake fluid to the proper level.

Refer to "CHECKING THE BRAKE FLUID LEVEL" on page 3-23.



8. Check:
 - Brake lever operation

Soft or spongy feeling → Bleed the brake system.

Refer to "BLEEDING THE HYDRAULIC BRAKE SYSTEM" on page 3-25.

EAS22300

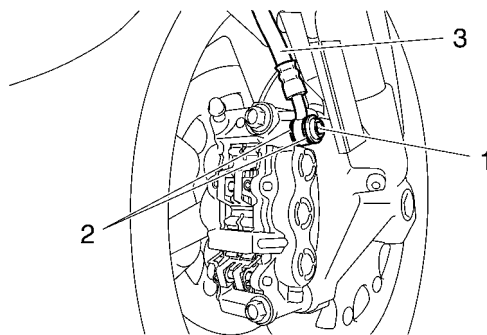
REMOVING THE FRONT BRAKE CALIPERS

The following procedure applies to both of the brake calipers.

NOTE: _____

Before removing the brake caliper, drain the brake fluid from the entire brake system.

1. Remove:
 - Union bolt “1”
 - Copper washers “2”
 - Brake hose “3”



NOTE: _____

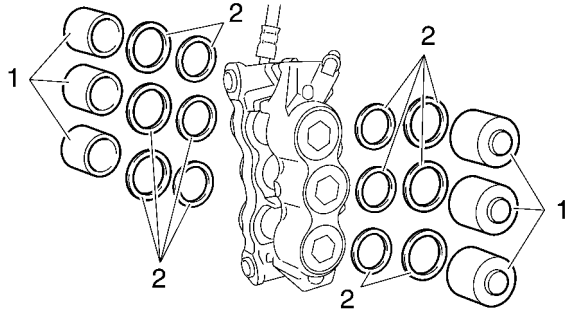
Put the end of the brake hose into a container and pump out the brake fluid carefully.

EAS22360

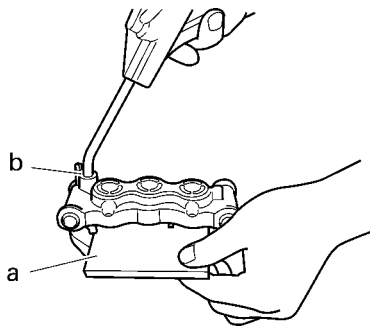
DISASSEMBLING THE FRONT BRAKE CALIPERS

The following procedure applies to both of the brake calipers.

1. Remove:
 - Brake caliper pistons “1”
 - Brake caliper piston seals “2”



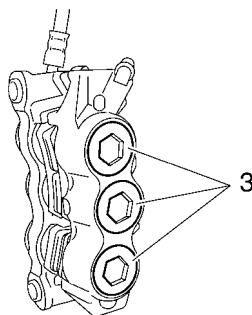
- a. Secure the right side brake caliper pistons with a piece of wood “a”.
- b. Blow compressed air into the brake hose joint opening “b” to force out the left side pistons from the brake caliper.



EWA4C81005

WARNING

- Never try to pry out the brake caliper pistons.
- Do not loosen the bolts “3”.



- c. Remove the brake caliper piston seals.
- d. Repeat the previous steps to force out the right side pistons from the brake caliper.

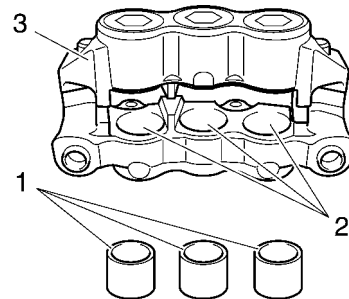


EAS22390

CHECKING THE FRONT BRAKE CALIPERS

Recommended brake component replacement schedule	
Brake pads	If necessary
Piston seals	Every two years
Brake hoses	Every four years
Brake fluid	Every two years and whenever the brake is disassembled

1. Check:
 - Brake caliper pistons “1”
Rust/scratches/wear → Replace the brake caliper pistons.
 - Brake caliper cylinders “2”
Scratches/wear → Replace the brake caliper assembly.
 - Brake caliper body “3”
Cracks/damage → Replace the brake caliper assembly.
 - Brake fluid delivery passages (brake caliper body)
Obstruction → Blow out with compressed air.



EWA13600

WARNING

Whenever a brake caliper is disassembled, replace the piston seals.

EAS22410

ASSEMBLING THE FRONT BRAKE CALIPERS

EWA13620

WARNING

- Before installation, all internal brake components should be cleaned and lubricated with clean or new brake fluid.
- Never use solvents on internal brake components as they will cause the piston seals to swell and distort.

- Whenever a brake caliper is disassembled, replace the brake caliper piston seals.



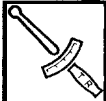
Recommended fluid
DOT 4

EAS22450

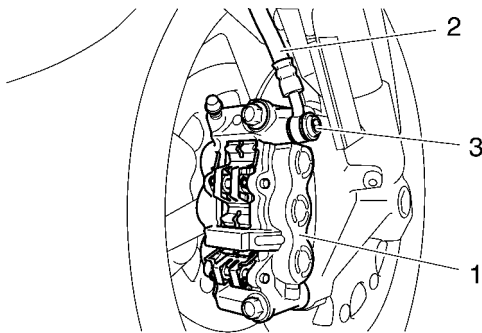
INSTALLING THE FRONT BRAKE CALI-PERS

The following procedure applies to both of the brake calipers.

1. Install:
 - Brake pads
 - Brake pad springs
 - Brake pad pins
2. Install:
 - Brake caliper "1"
 - Copper washers **New**
 - Brake hose "2"
 - Union bolt "3"
 - Brake hose holder



Front brake caliper bolt
35 Nm (3.5 m·kg, 25 ft·lb)
Front brake hose union bolt
30 Nm (3.0 m·kg, 22 ft·lb)
Front brake hose holder
6 Nm (0.6 m·kg, 4.3 ft·lb)



EWA13530

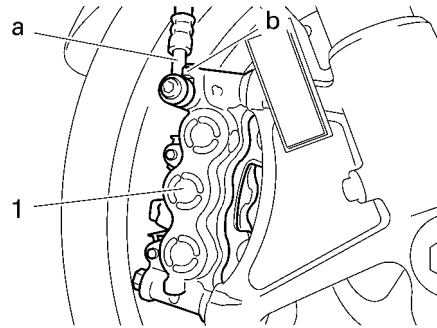
WARNING

Proper brake hose routing is essential to insure safe vehicle operation. Refer to "CABLE ROUTING" on page 2-39.

ECA14170

CAUTION:

When installing the brake hose onto the brake caliper "1", make sure the brake pipe "a" touches the projection "b" on the brake caliper.



3. Fill:
 - Brake fluid reservoir (with the specified amount of the recommended brake fluid)



Recommended fluid
DOT 4

EWA13090

WARNING

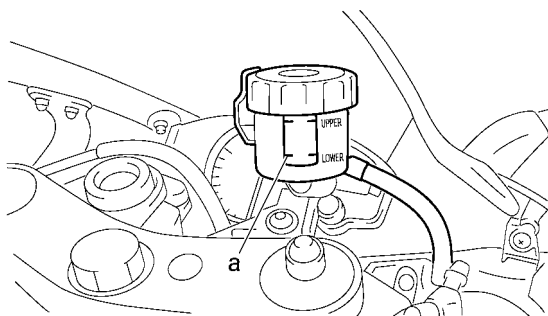
- **Use only the designated brake fluid. Other brake fluids may cause the rubber seals to deteriorate, causing leakage and poor brake performance.**
- **Refill with the same type of brake fluid that is already in the system. Mixing brake fluids may result in a harmful chemical reaction, leading to poor brake performance.**
- **When refilling, be careful that water does not enter the brake fluid reservoir. Water will significantly lower the boiling point of the brake fluid and could cause vapor lock.**

ECA13540

CAUTION:

Brake fluid may damage painted surfaces and plastic parts. Therefore, always clean up any spilt brake fluid immediately.

4. Bleed:
 - Brake system
Refer to "BLEEDING THE HYDRAULIC BRAKE SYSTEM" on page 3-25.
5. Check:
 - Brake fluid level
Below the minimum level mark "a" → Add the recommended brake fluid to the proper level.
Refer to "CHECKING THE BRAKE FLUID LEVEL" on page 3-23.



6. Check:
- Brake lever operation
Soft or spongy feeling → Bleed the brake system.
Refer to "BLEEDING THE HYDRAULIC BRAKE SYSTEM" on page 3-25.

EAS22490

REMOVING THE FRONT BRAKE MASTER CYLINDER

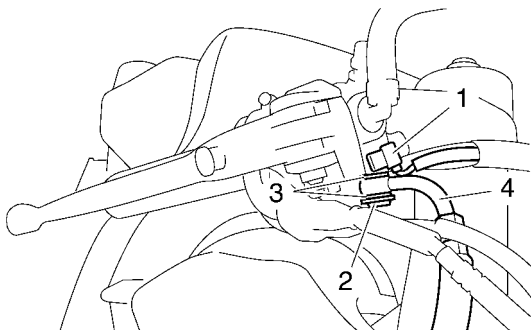
NOTE:

Before removing the front brake master cylinder, drain the brake fluid from the entire brake system.

1. Disconnect:
 - Brake switch coupler "1" (from the brake switch)
2. Remove:
 - Union bolt "2"
 - Copper washers "3"
 - Brake hoses "4"

NOTE:

To collect any remaining brake fluid, place a container under the master cylinder and the end of the brake hose.

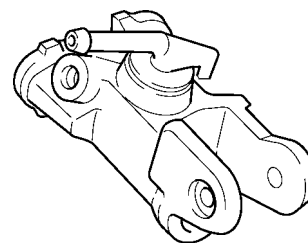


3. Remove:
 - Brake master cylinder holder
 - Brake master cylinder

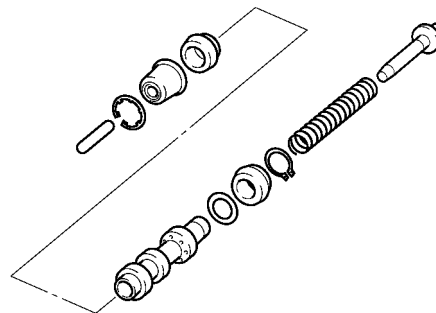
EAS22510

CHECKING THE FRONT BRAKE MASTER CYLINDER

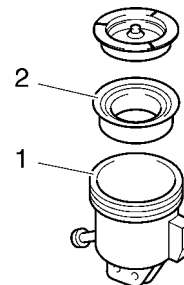
1. Check:
 - Brake master cylinder
Damage/scratches/wear → Replace.
 - Brake fluid delivery passages (brake master cylinder body)
Obstruction → Blow out with compressed air.



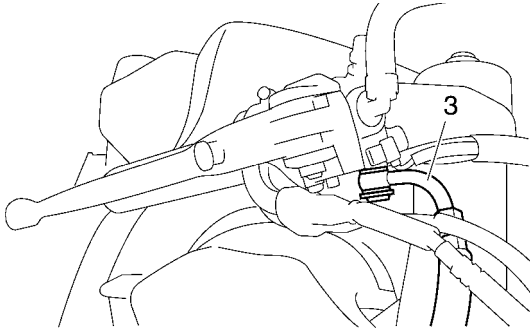
2. Check:
 - Brake master cylinder kit
Damage/scratches/wear → Replace.



3. Check:
 - Brake fluid reservoir tank "1"
Cracks/damage → Replace.
 - Brake fluid reservoir diaphragm "2"
Damage/wear → Replace.



4. Check:
 - Brake hose "3"
Cracks/damage/wear → Replace.



EAS22520

ASSEMBLING THE FRONT BRAKE MASTER CYLINDER

EWA13520

WARNING

- Before installation, all internal brake components should be cleaned and lubricated with clean or new brake fluid.
- Never use solvents on internal brake components.



Recommended fluid
DOT 4

1. Instal:

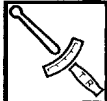
- Brake master cylinder kit **New**

EAS22540

INSTALLING THE FRONT BRAKE MASTER CYLINDER

1. Install:

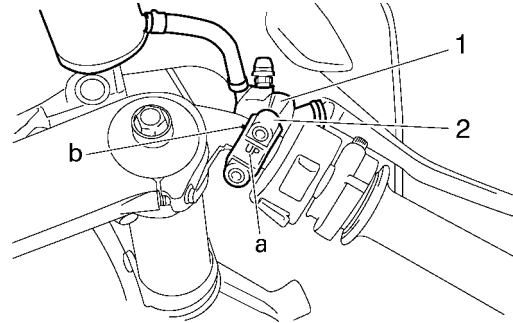
- Brake master cylinder "1"
- Brake master cylinder holder "2"



Front brake master cylinder holder bolt
13 Nm (1.3 m·kg, 9.4 ft·lb)

NOTE:

- Install the brake master cylinder holder with the "UP" mark "a" facing up.
- Align the end of the brake master cylinder holder with the punch mark "b" on the handlebar.
- First, tighten the upper bolt, then the lower bolt.
- There should be 2–2.5 mm (0.08–0.10 in) of clearance between the right handlebar switch and the brake master cylinder holder.



2. Install:

- Copper washers **New**
- Brake hose
- Union bolt



Front brake hose union bolt
30 Nm (3.0 m·kg, 22 ft·lb)

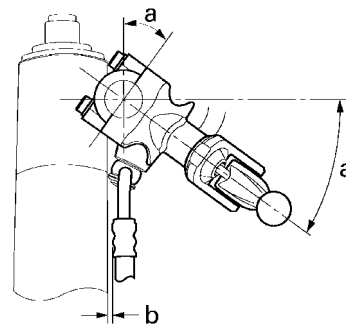
EWA13530

WARNING

Proper brake hose routing is essential to insure safe vehicle operation. Refer to "CABLE ROUTING" on page 2-39.

NOTE:

- While holding the brake hose, tighten the union bolt as shown.
- Turn the handlebar to the left and right to make sure the brake hose does not touch other parts (e.g., wire harness, cables, leads). Correct if necessary.



- a. 36°
- b. 3 mm (0.12 in)

3. Fill:

- Brake fluid reservoir (with the specified amount of the recommended brake fluid)



Recommended fluid
DOT 4

EWA13090

WARNING

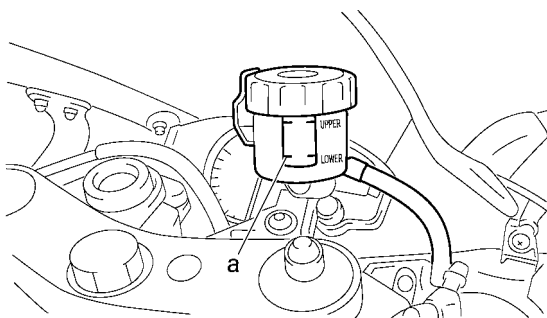
- **Use only the designated brake fluid. Other brake fluids may cause the rubber seals to deteriorate, causing leakage and poor brake performance.**
- **Refill with the same type of brake fluid that is already in the system. Mixing brake fluids may result in a harmful chemical reaction, leading to poor brake performance.**
- **When refilling, be careful that water does not enter the brake fluid reservoir. Water will significantly lower the boiling point of the brake fluid and could cause vapor lock.**

ECA13540

CAUTION:

Brake fluid may damage painted surfaces and plastic parts. Therefore, always clean up any spilt brake fluid immediately.

4. Bleed:
 - Brake system
Refer to "BLEEDING THE HYDRAULIC BRAKE SYSTEM" on page 3-25.
5. Check:
 - Brake fluid level
Below the minimum level mark "a" → Add the recommended brake fluid to the proper level.
Refer to "CHECKING THE BRAKE FLUID LEVEL" on page 3-23.

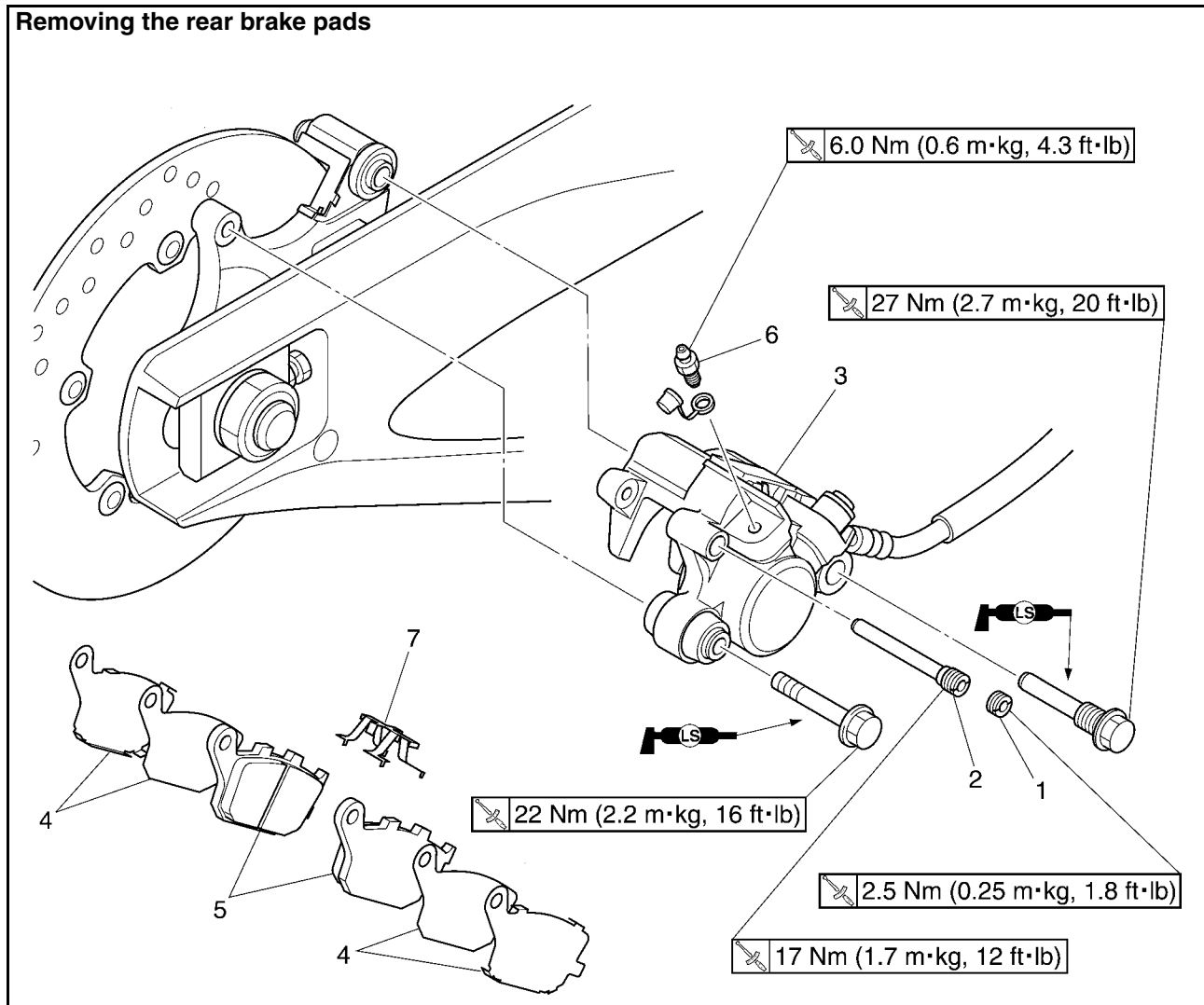


6. Check:
 - Brake lever operation
Soft or spongy feeling → Bleed the brake system.
Refer to "BLEEDING THE HYDRAULIC BRAKE SYSTEM" on page 3-25.

EAS22550

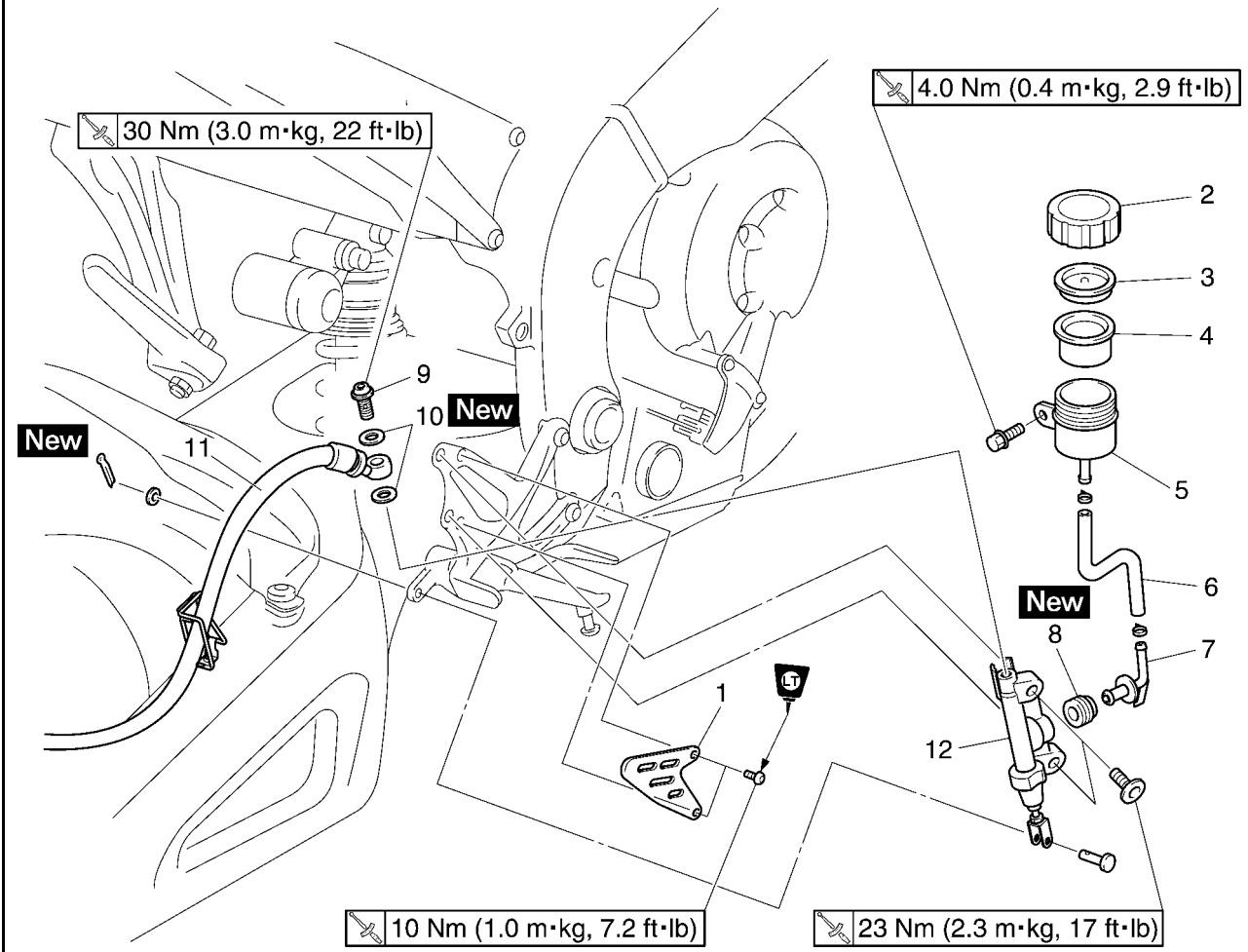
REAR BRAKE

Removing the rear brake pads



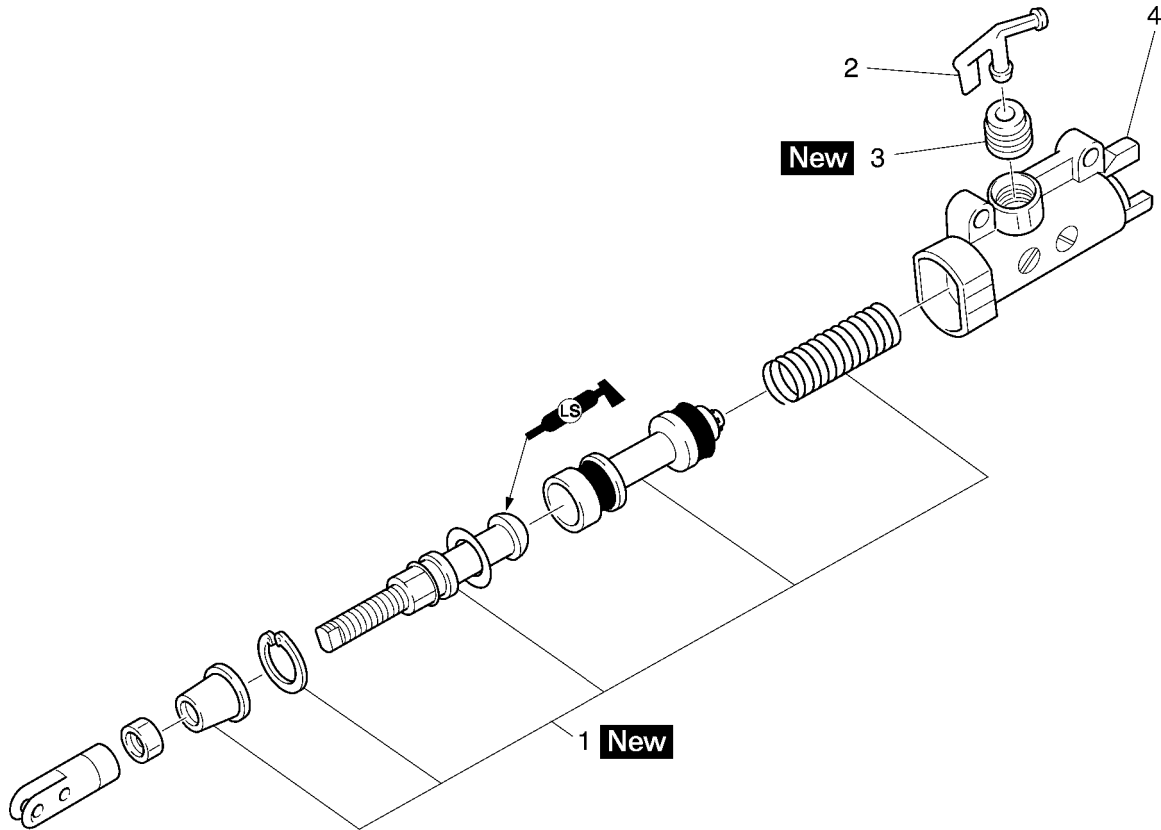
Order	Job/Parts to remove	Q'ty	Remarks
1	Screw plug	1	
2	Brake pad pin	1	
3	Rear brake caliper	1	
4	Brake pad shim	4	
5	Brake pad	2	
6	Bleed screw	1	
7	Brake pad spring	1	
			For installation, reverse the removal procedure.

Removing the rear brake master cylinder



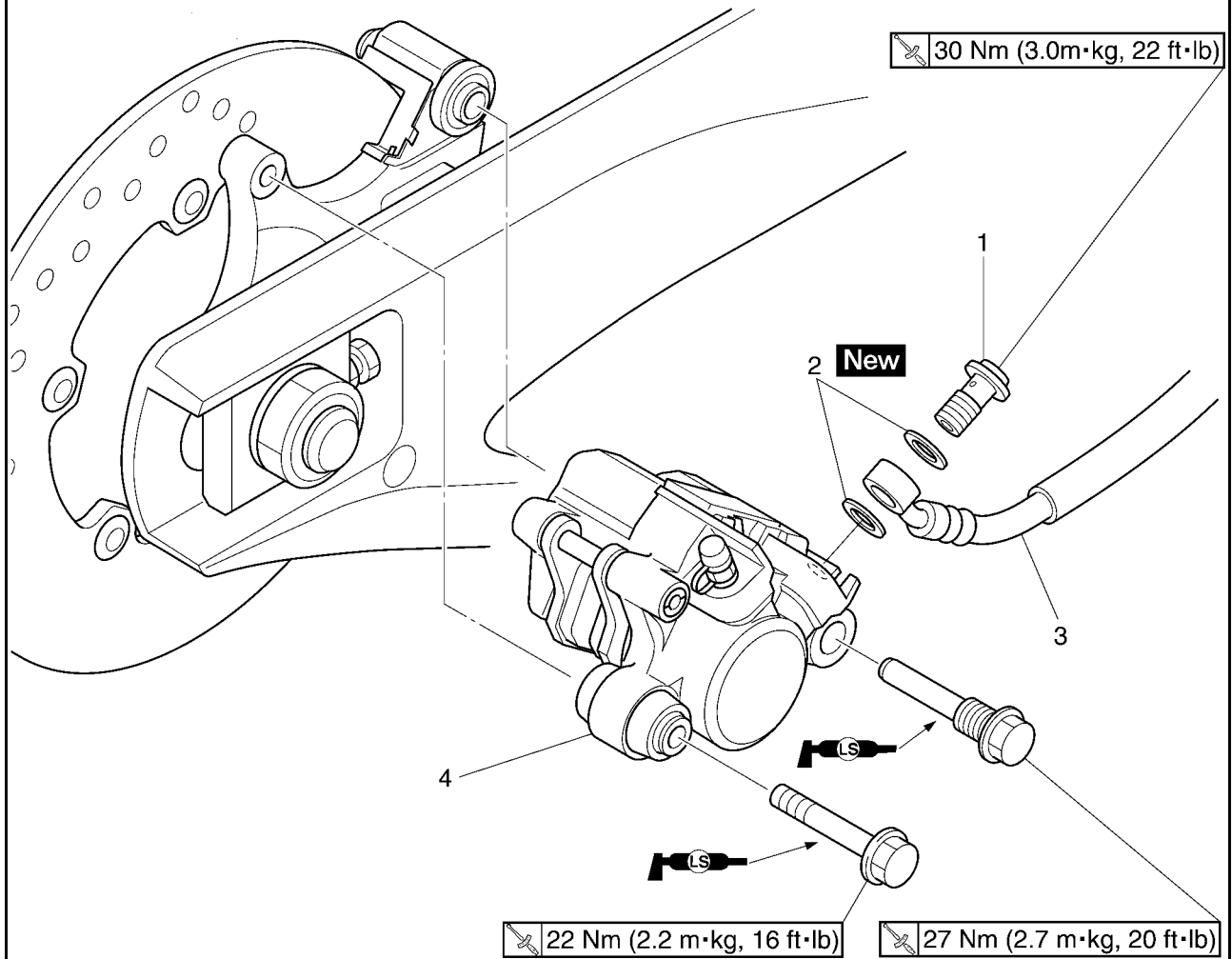
Order	Job/Parts to remove	Q'ty	Remarks
	Brake fluid		Drain. Refer to "BLEEDING THE HYDRAULIC BRAKE SYSTEM" on page 3-25.
1	Footrest plate	1	
2	Brake fluid reservoir cap	1	
3	Rear brake fluid reservoir diaphragm holder	1	
4	Rear brake fluid reservoir diaphragm	1	
5	Brake fluid reservoir tank	1	
6	Brake fluid reservoir hose	1	
7	Hose joint	1	
8	Bush	1	
9	Union bolt	1	
10	Copper washer	2	
11	Brake hose	1	
12	Brake master cylinder	1	
			For installation, reverse the removal procedure.

Disassembling the rear brake master cylinder



Order	Job/Parts to remove	Q'ty	Remarks
1	Brake master cylinder kit	1	
2	Hose joint	1	
3	Bush	1	
4	Brake master cylinder body	1	
			For assembly, reverse the disassembly procedure.

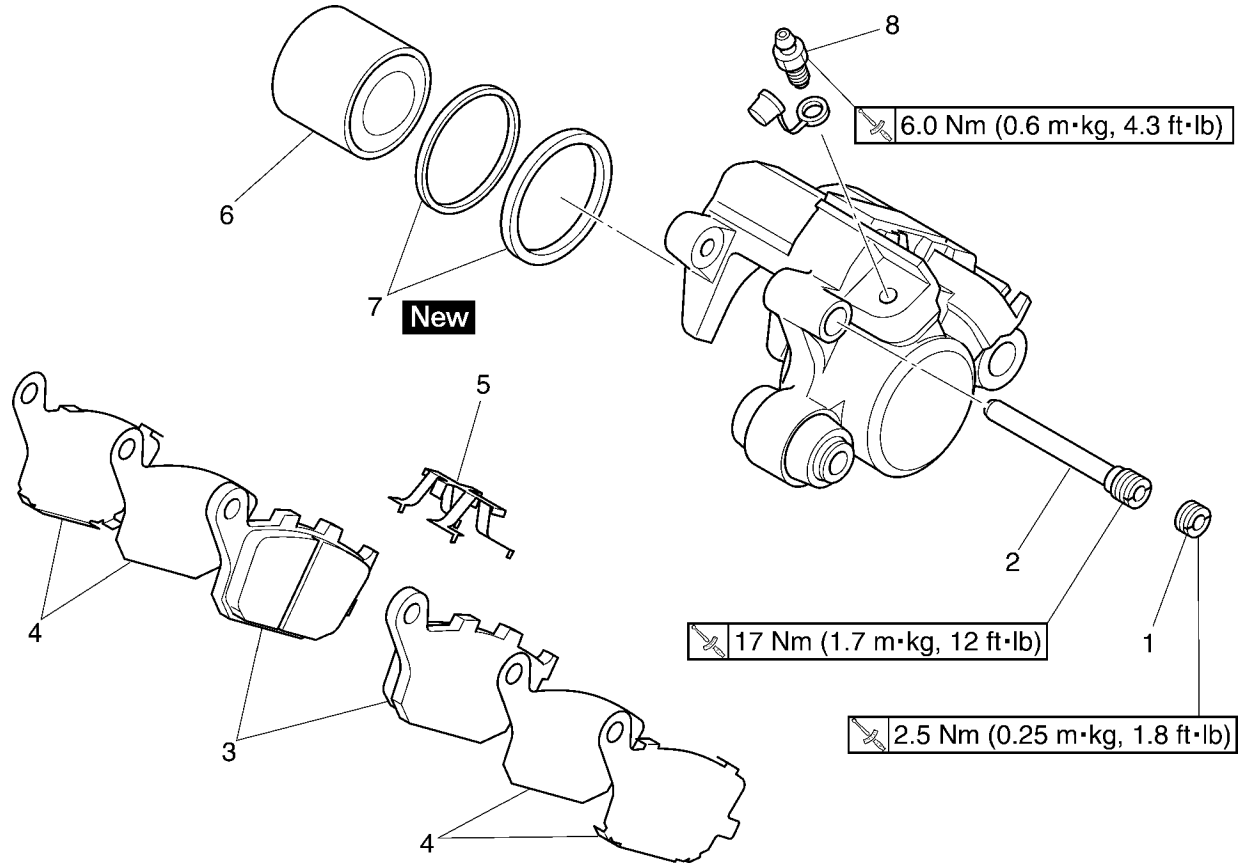
Removing the rear brake calipers



Order	Job/Parts to remove	Q'ty	Remarks
	Brake fluid		Drain. Refer to "BLEEDING THE HYDRAULIC BRAKE SYSTEM" on page 3-25.
1	Union bolt	1	
2	Copper washer	2	
3	Brake hose	1	
4	Brake caliper	1	
			For installation, reverse the removal procedure.

REAR BRAKE

Disassembling the rear brake calipers



Order	Job/Parts to remove	Q'ty	Remarks
1	Screw plug	1	
2	Brake pad pin	1	
3	Brake pad	2	
4	Brake pad shim	4	
5	Brake pad spring	1	
6	Brake caliper piston	1	
7	Brake caliper piston seal	2	
8	Bleed screw	1	
			For assembly, reverse the disassembly procedure.

EAS22560

INTRODUCTION

EWA14100



WARNING

Disc brake components rarely require disassembly. Therefore, always follow these preventive measures:

- Never disassemble brake components unless absolutely necessary.
- If any connection on the hydraulic brake system is disconnected, the entire brake system must be disassembled, drained, cleaned, properly filled, and bled after reassembly.
- Never use solvents on internal brake components.
- Use only clean or new brake fluid for cleaning brake components.
- Brake fluid may damage painted surfaces and plastic parts. Therefore, always clean up any spilt brake fluid immediately.
- Avoid brake fluid coming into contact with the eyes as it can cause serious injury.
- **FIRST AID FOR BRAKE FLUID ENTERING THE EYES:**
- Flush with water for 15 minutes and get immediate medical attention.

EAS22570

CHECKING THE REAR BRAKE DISC

1. Remove:
 - Rear wheel
Refer to "REAR WHEEL" on page 4-14.
2. Check:
 - Brake disc
Damage/galling → Replace.
3. Measure:
 - Brake disc deflection
Out of specification → Correct the brake disc deflection or replace the brake disc.
Refer to "CHECKING THE FRONT BRAKE DISCS" on page 4-25.



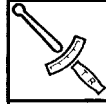
**Brake disc deflection limit
0.15 mm (0.0059 in)**

4. Measure:
 - Brake disc thickness
Measure the brake disc thickness at a few different locations.
Out of specification → Replace.
Refer to "CHECKING THE FRONT BRAKE DISCS" on page 4-25.



**Brake disc thickness limit
4.5 mm (0.18 in)**

5. Adjust:
 - Brake disc deflection
Refer to "CHECKING THE FRONT BRAKE DISCS" on page 4-25.



**Rear brake disc bolt
30 Nm (3.0 m·kg, 22 ft·lb)
LOCTITE®**

6. Install:
 - Rear wheel
Refer to "REAR WHEEL" on page 4-14.

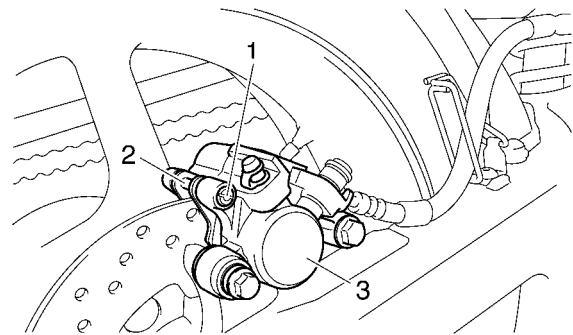
EAS22580

REPLACING THE REAR BRAKE PADS

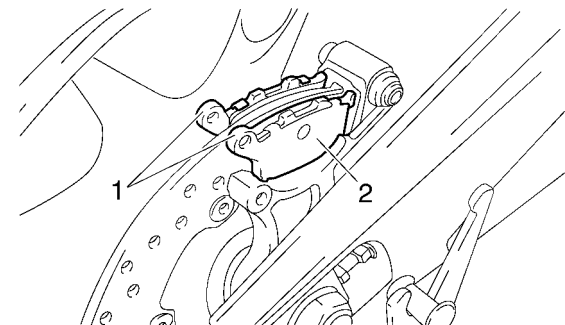
NOTE:

When replacing the brake pads, it is not necessary to disconnect the brake hose or disassemble the brake caliper.

1. Remove :
 - Screw plug "1"
 - Brake pad pin "2"
 - Brake caliper "3"
 - Brake pad spring



2. Remove :
 - Brake pads "1"
(along with the brake pad shims "2")



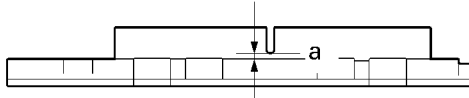
3. Measure:

- Brake pad wear limit "a"
Out of specification → Replace the brake pads as a set.



Brake pad lining thickness (inner)
6.0 mm (0.24 in)
Limit
1.0 mm (0.04 in)

Brake pad lining thickness (outer)
6.0 mm (0.24 in)
Limit
1.0 mm (0.04 in)



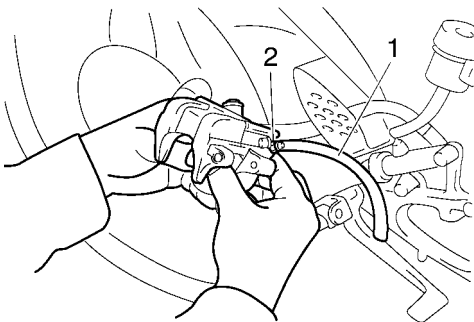
4. Install:

- Brake pad shims (onto the brake pads)
- Brake pads
- Brake pad spring

NOTE:

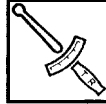
Always install new brake pads, brake pad shims, and a brake pad spring as a set.

- a. Connect a clear plastic hose "1" tightly to the bleed screw "2". Put the other end of the hose into an open container.



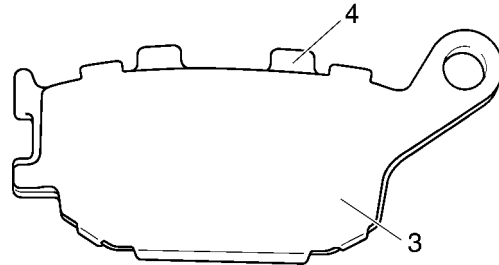
- b. Loosen the bleed screw and push the brake caliper pistons into the brake caliper with your finger.

- c. Tighten the bleed screw.



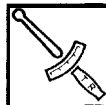
Bleed screw
6 Nm (0.6 m·kg, 4.3 ft·lb)

- d. Install a new brake pad shim "3" onto each new brake pad "4".



5. Install:

- Brake pad pin
- Screw plug
- Brake caliper

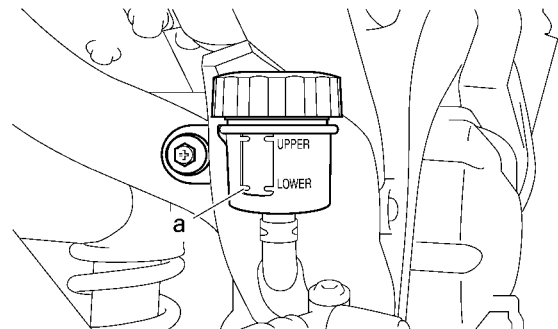


Rear brake caliper bolt (front side)
27 Nm (2.7 m·kg, 20 ft·lb)

Rear brake caliper bolt (rear side)
22 Nm (2.2 m·kg, 16 ft·lb)

6. Check:

- Brake fluid level
Below the minimum level mark "a" → Add the recommended brake fluid to the proper level.
Refer to "CHECKING THE BRAKE FLUID LEVEL" on page 3-23.



7. Check:

- Brake pedal operation
Soft or spongy feeling → Bleed the brake system.
Refer to "BLEEDING THE HYDRAULIC BRAKE SYSTEM" on page 3-25.

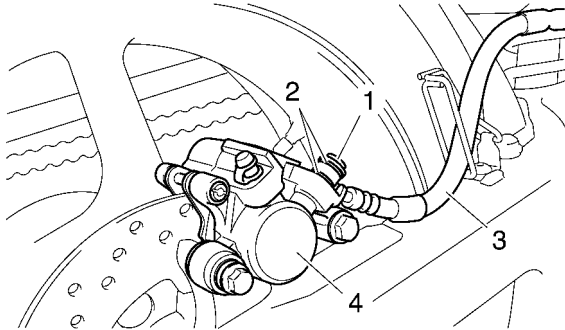
EAS22590

REMOVING THE REAR BRAKE CALIPER

NOTE:

Before disassembling the brake caliper, drain the brake fluid from the entire brake system.

- Remove:
 - Union bolt "1"
 - Copper washers "2"
 - Brake hose "3"
 - Brake caliper "4"



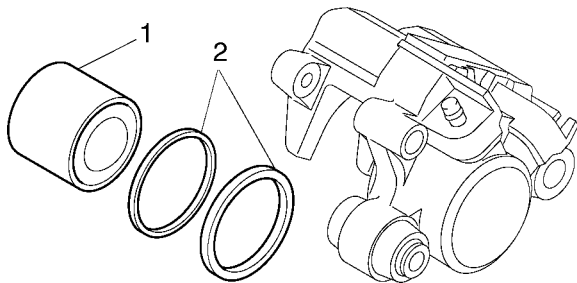
NOTE:

Put the end of the brake hose into a container and pump out the brake fluid carefully.

EAS22600

DISASSEMBLING THE REAR BRAKE CALIPER

- Remove:
 - Brake caliper piston "1"
 - Brake caliper piston seals "2"



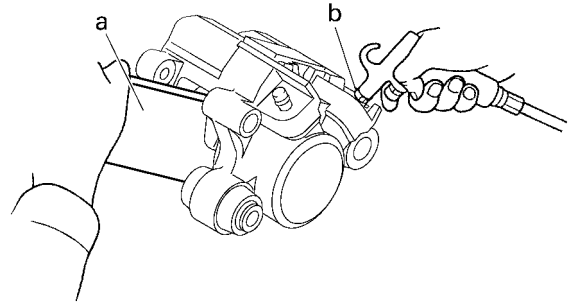
- Secure the brake caliper piston with a piece of wood "a"
- Blow compressed air into the brake hose joint opening "b" to force out the piston from the brake caliper.

EWA13550

WARNING

- Cover the brake caliper piston with a rag. Be careful not to get injured when the piston is expelled from the brake caliper.

- Never try to pry out the brake caliper piston.



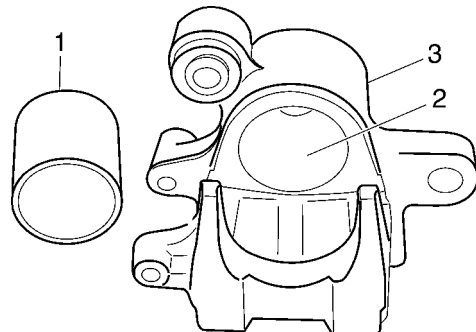
- Remove the brake caliper piston seals.

EAS22640

CHECKING THE REAR BRAKE CALIPER

Recommended brake component replacement schedule	
Brake pads	If necessary
Piston seals	Every two years
Brake hoses	Every four years
Brake fluid	Every two years and whenever the brake is disassembled

- Check:
 - Brake caliper pistons "1"
Rust/scratches/wear → Replace the brake caliper pistons.
 - Brake caliper cylinders "2"
Scratches/wear → Replace the brake caliper assembly.
 - Brake caliper body "3"
Cracks/damage → Replace the brake caliper assembly.
 - Brake fluid delivery passages (brake caliper body)
Obstruction → Blow out with compressed air.



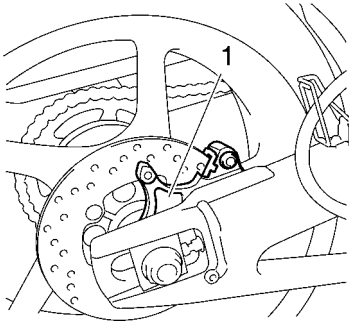
EWA13610

⚠ WARNING

Whenever a brake caliper is disassembled, replace the brake caliper piston seals.

2. Check:

- Brake caliper bracket "1"
Cracks/damage → Replace.



EAS22650

ASSEMBLING THE REAR BRAKE CALIPER

EWA13620

⚠ WARNING

- Before installation, all internal brake components should be cleaned and lubricated with clean or new brake fluid.
- Never use solvents on internal brake components as they will cause the piston seals to swell and distort.
- Whenever a brake caliper is disassembled, replace the brake caliper piston seals.



**Recommended fluid
DOT 4**

EAS22670

INSTALLING THE REAR BRAKE CALIPER

1. Install:

- Brake caliper "1"
(temporarily)
- Copper washers **New**
- Brake hose "2"
- Union bolt "3"



**Rear brake hose union bolt
30 Nm (3.0 m·kg, 22 ft·lb)**

EWA13530

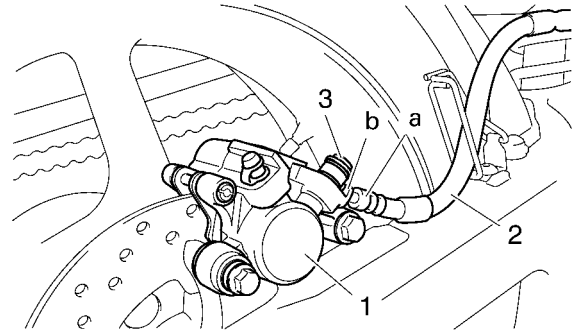
⚠ WARNING

Proper brake hose routing is essential to insure safe vehicle operation. Refer to "CABLE ROUTING" on page 2-39.

ECA14170

CAUTION:

When installing the brake hose onto the brake caliper "1", make sure the brake pipe "a" touches the projection "b" on the brake caliper.

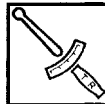


2. Remove:

- Brake caliper

3. Install:

- Brake pad shims
- Brake pads
- Brake pad spring
- Brake pad pin
- Screw plug
- Brake caliper



Rear brake caliper bolt (front side)

27 Nm (2.7 m·kg, 20 ft·lb)

Rear brake caliper bolt (rear side)

22 Nm (2.2 m·kg, 16 ft·lb)

4. Fill:

- Brake fluid reservoir
(with the specified amount of the recommended brake fluid)



**Recommended fluid
DOT 4**

EWA13090

⚠ WARNING

- Use only the designated brake fluid. Other brake fluids may cause the rubber seals to deteriorate, causing leakage and poor brake performance.
- Refill with the same type of brake fluid that is already in the system. Mixing brake fluids may result in a harmful chemical reaction, leading to poor brake performance.

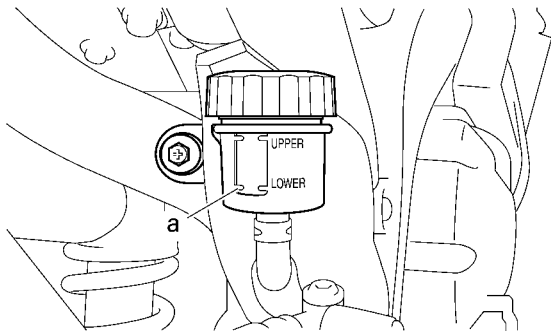
- When refilling, be careful that water does not enter the brake fluid reservoir. Water will significantly lower the boiling point of the brake fluid and could cause vapor lock.

ECA13540

CAUTION:

Brake fluid may damage painted surfaces and plastic parts. Therefore, always clean up any spilt brake fluid immediately.

5. Bleed:
 - Brake system
Refer to "BLEEDING THE HYDRAULIC BRAKE SYSTEM" on page 3-25.
6. Check:
 - Brake fluid level
Below the minimum level mark "a" → Add the recommended brake fluid to the proper level.
Refer to "CHECKING THE BRAKE FLUID LEVEL" on page 3-23.

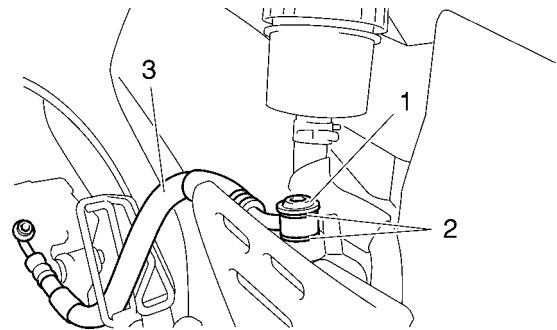


7. Check:
 - Brake pedal operation
Soft or spongy feeling → Bleed the brake system.
Refer to "BLEEDING THE HYDRAULIC BRAKE SYSTEM" on page 3-25.

EAS22700

REMOVING THE REAR BRAKE MASTER CYLINDER

1. Remove:
 - Union bolt "1"
 - Copper washers "2"
 - Brake hose "3"



NOTE:

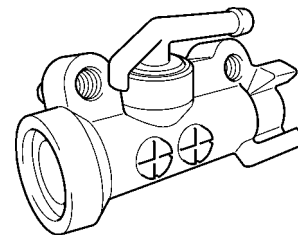
To collect any remaining brake fluid, place a container under the master cylinder and the end of the brake hose.

2. Remove:
 - Brake master cylinder

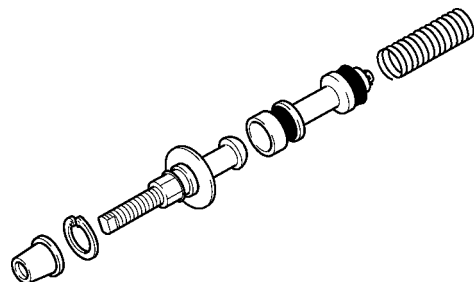
EAS22720

CHECKING THE REAR BRAKE MASTER CYLINDER

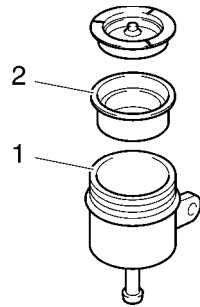
1. Check:
 - Brake master cylinder
Damage/scratches/wear → Replace.
 - Brake fluid delivery passages (brake master cylinder body)
Obstruction → Blow out with compressed air.



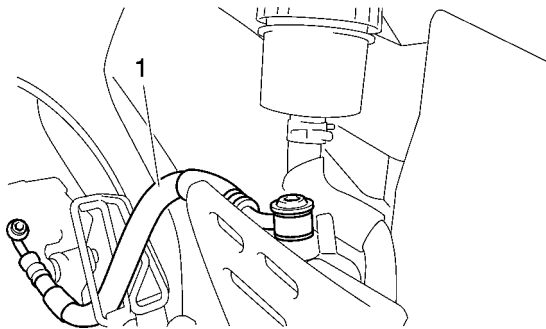
2. Check:
 - Brake master cylinder kit
Damage/scratches/wear → Replace.



3. Check:
 - Brake fluid reservoir tank "1"
Cracks/damage → Replace.
 - Brake fluid reservoir diaphragm "2"
Cracks/damage → Replace.



4. Check:
- Brake hoses "1"
Cracks/damage/wear → Replace.



EAS22730

ASSEMBLING THE REAR BRAKE MASTER CYLINDER

EWA13520

⚠ WARNING

- Before installation, all internal brake components should be cleaned and lubricated with clean or new brake fluid.
- Never use solvents on internal brake components.



Recommended fluid
DOT 4

1. Instal:
- Brake master cylinder kit **New**

EAS22740

INSTALLING THE REAR BRAKE MASTER CYLINDER

1. Install:
- Copper washers **New**
 - Brake hoses
 - Union bolt



Rear brake hose union bolt
30 Nm (3.0 m·kg, 22 ft·lb)

EWA13530

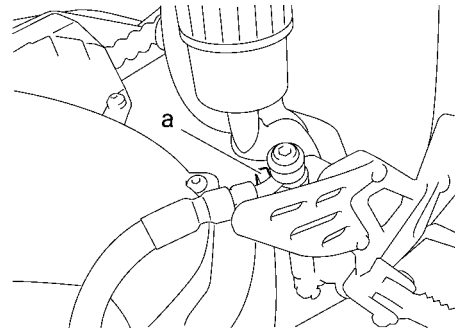
⚠ WARNING

Proper brake hose routing is essential to insure safe vehicle operation. Refer to "CABLE ROUTING" on page 2-39.

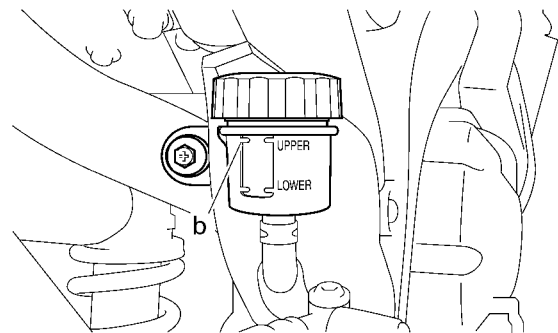
ECA14160

CAUTION:

When installing the brake hose onto the brake master cylinder, make sure the brake pipe touches the projection "a" as shown.



2. Fill:
- Brake fluid reservoir
(to the maximum level mark "b")



Recommended fluid
DOT 4

EWA13090

⚠ WARNING

- Use only the designated brake fluid. Other brake fluids may cause the rubber seals to deteriorate, causing leakage and poor brake performance.
- Refill with the same type of brake fluid that is already in the system. Mixing brake fluids may result in a harmful chemical reaction, leading to poor brake performance.

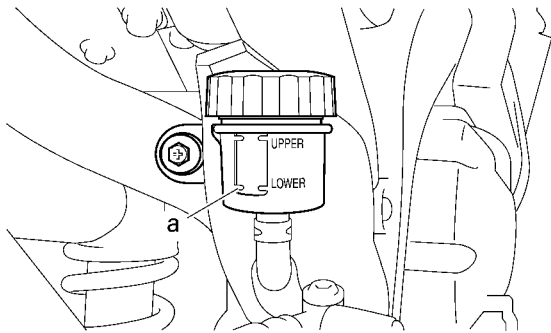
- When refilling, be careful that water does not enter the brake fluid reservoir. Water will significantly lower the boiling point of the brake fluid and could cause vapor lock.

ECA13540

CAUTION:

Brake fluid may damage painted surfaces and plastic parts. Therefore, always clean up any spilt brake fluid immediately.

3. Bleed:
 - Brake system
Refer to "BLEEDING THE HYDRAULIC BRAKE SYSTEM" on page 3-25.
4. Check:
 - Brake fluid level
Below the minimum level mark "a" → Add the recommended brake fluid to the proper level.
Refer to "CHECKING THE BRAKE FLUID LEVEL" on page 3-23.

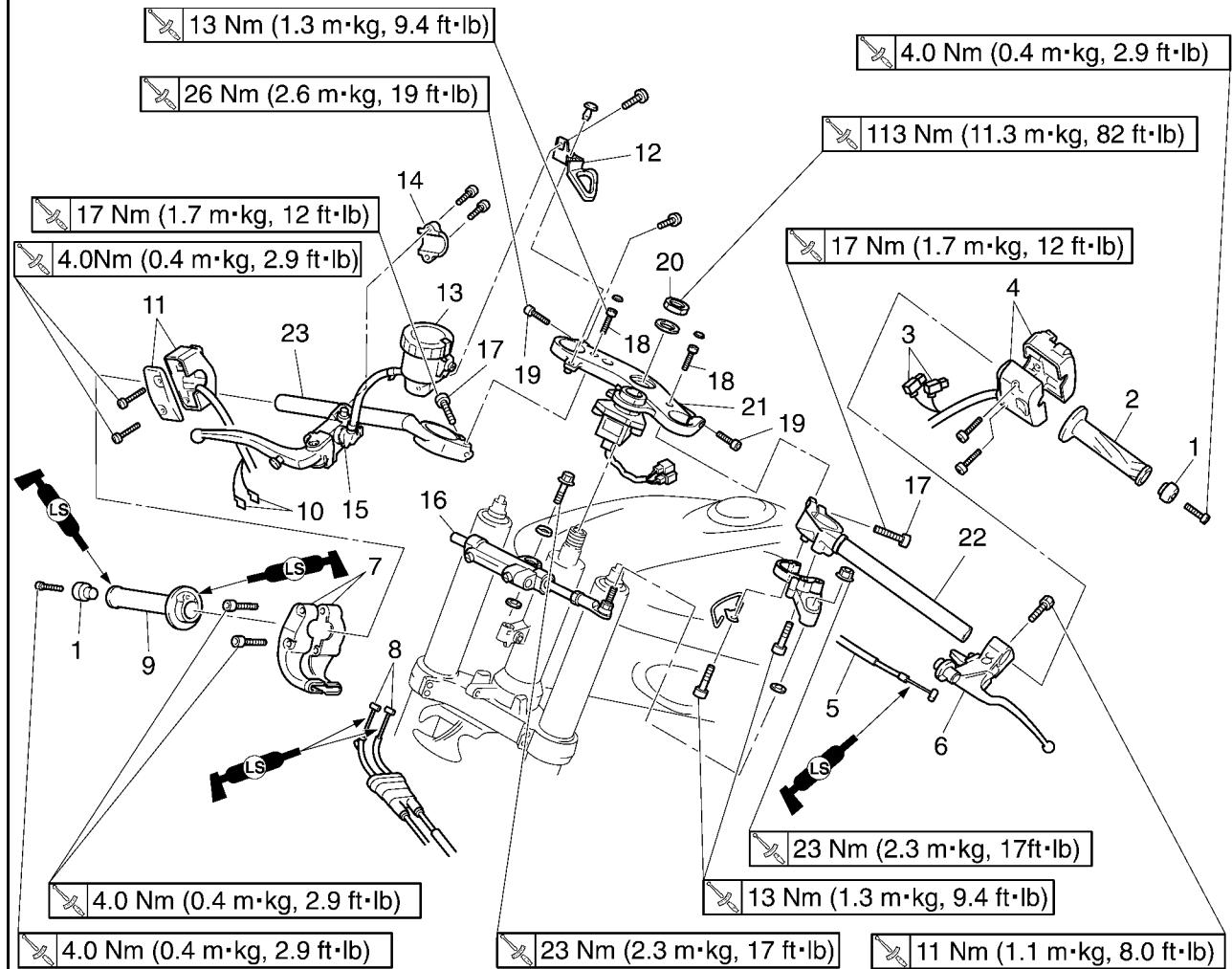


5. Adjust:
 - Brake pedal position
Refer to "ADJUSTING THE REAR DISC BRAKE" on page 3-22.
6. Adjust:
 - Rear brake light operation timing
Refer to "ADJUSTING THE REAR BRAKE LIGHT SWITCH" on page 3-24.

EAS22850

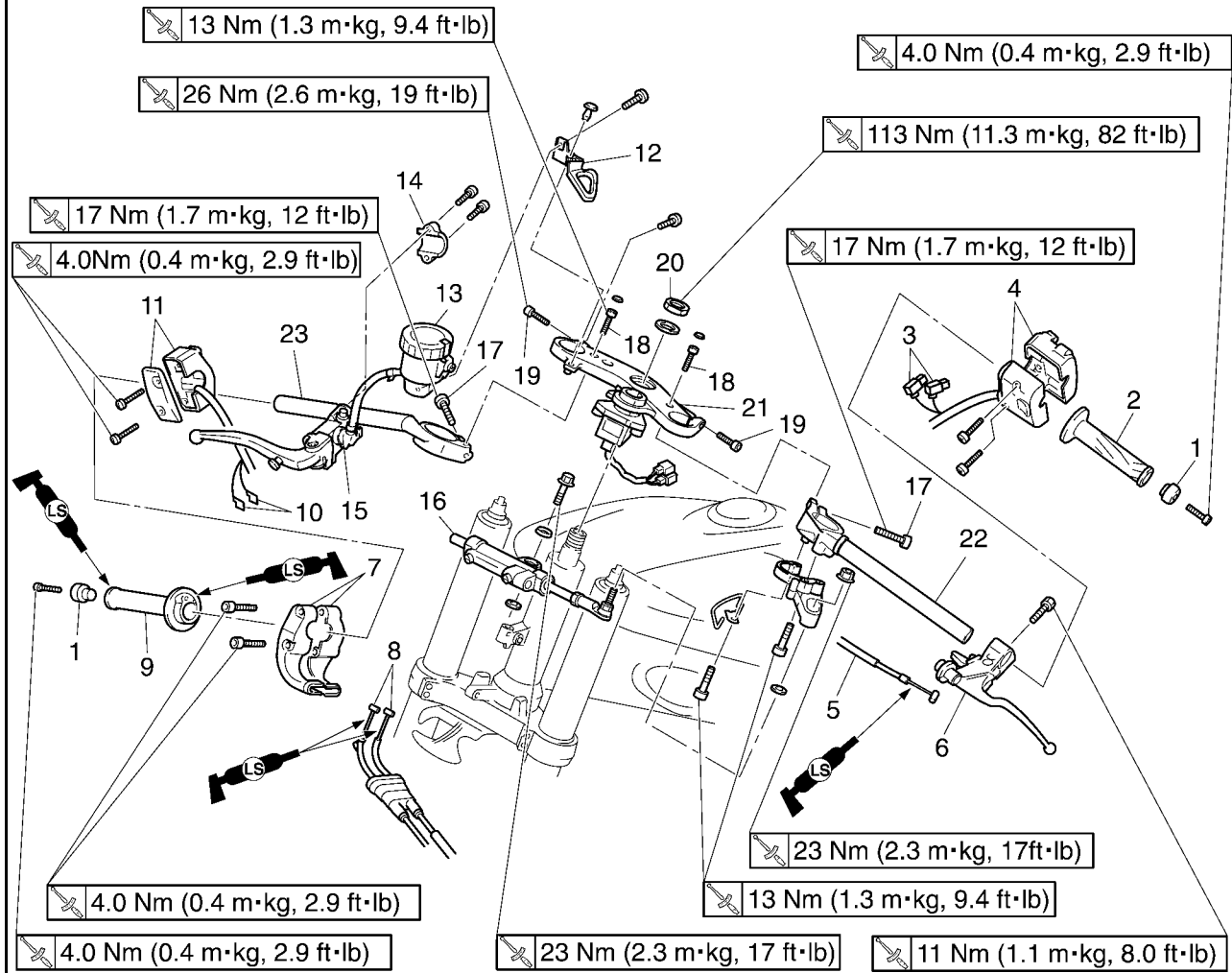
HANDLEBARS

Removing the handlebars



Order	Job/Parts to remove	Q'ty	Remarks
	Front cowling		Refer to "GENERAL CHASSIS" on page 4-1.
	Side cowling		Refer to "GENERAL CHASSIS" on page 4-1.
1	Grip end	2	
2	Handlebar grip	1	
3	Clutch switch connector	2	Disconnect.
4	Left handlebar switch	1	
5	Clutch cable	1	
6	Clutch lever holder	1	
7	Throttle cable housing	1	
8	Throttle cable	2	
9	Throttle grip	1	
10	Front brake light switch lead connector	2	Disconnect.
11	Right handlebar switch	1	
12	Clutch cable holder	1	
13	Brake fluid reservoir tank	1	
14	Brake master cylinder holder	1	
15	Brake master cylinder	1	
16	Steering damper	1	
17	Handlebar pinch bolt	2	Loosen.

Removing the handlebars



Order	Job/Parts to remove	Q'ty	Remarks
18	Upper bracket bolt	2	Loosen.
19	Upper bracket pinch bolt	2	Loosen.
20	Steering stem nut	1	Loosen.
21	Upper bracket	1	
22	Left handlebar	1	
23	Right handlebar	1	
			For installation, reverse the removal procedure.

EAS22870

REMOVING THE HANDLEBAR

1. Stand the vehicle on a level surface.

EWA13120

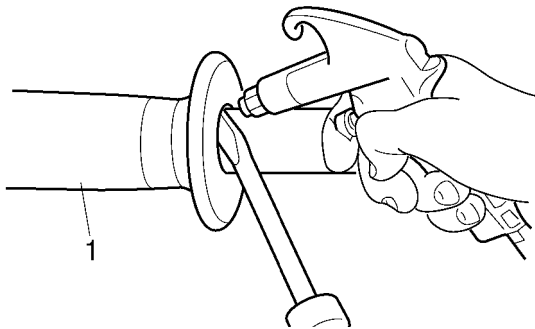
WARNING

Securely support the vehicle so that there is no danger of it falling over.

2. Remove:
 - Handlebar grip "1"

NOTE:

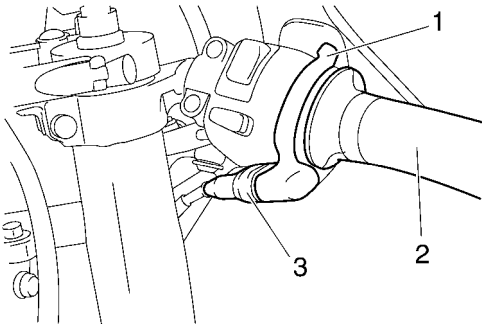
Blow compressed air between the handlebar and the handlebar grip, and gradually push the grip off the handlebar.



3. Remove:
 - Throttle cable housing "1"
 - Throttle grip "2"

NOTE:

While removing the throttle cable housing, pull back the rubber cover "3".



EAS22890

CHECKING THE HANDLEBARS

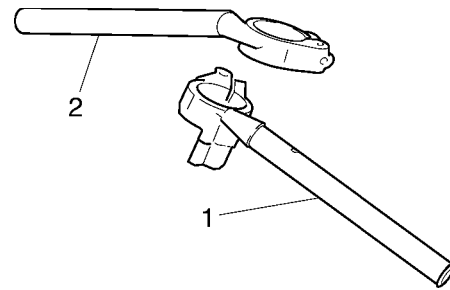
1. Check:
 - Left handlebar "1"
 - Right handlebar "2"

Bends/cracks/damage → Replace.

EWA13690

WARNING

Do not attempt to straighten a bent handlebar as this may dangerously weaken it.



EAS22900

INSTALLING THE HANDLEBARS

1. Stand the vehicle on a level surface.

EWA13120

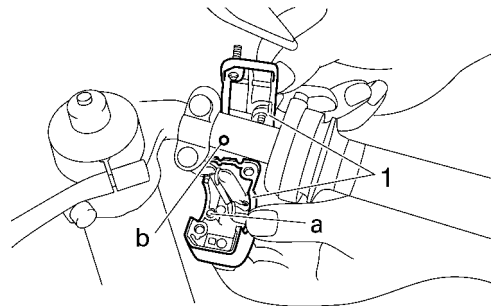
WARNING

Securely support the vehicle so that there is no danger of it falling over.

2. Install:
 - Right handlebar switch "1"

NOTE:

Align the projection "a" on the right handlebar switch with the hole "b" on the right handlebar.



3. Install:
 - Brake master cylinder holder "1"

ECA14260

CAUTION:

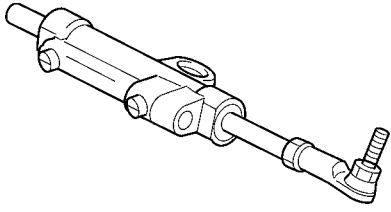
- Install the brake master cylinder holder with the "UP" mark facing up.
- First, tighten the upper bolt, and then the lower bolt.

NOTE:

- Align the mating surfaces of the brake master cylinder holder with the punch mark "a" on the right handlebar.
- There should be 2–2.5 mm (0.08–0.10 in) of clearance between the right handlebar switch and the brake master cylinder holder.



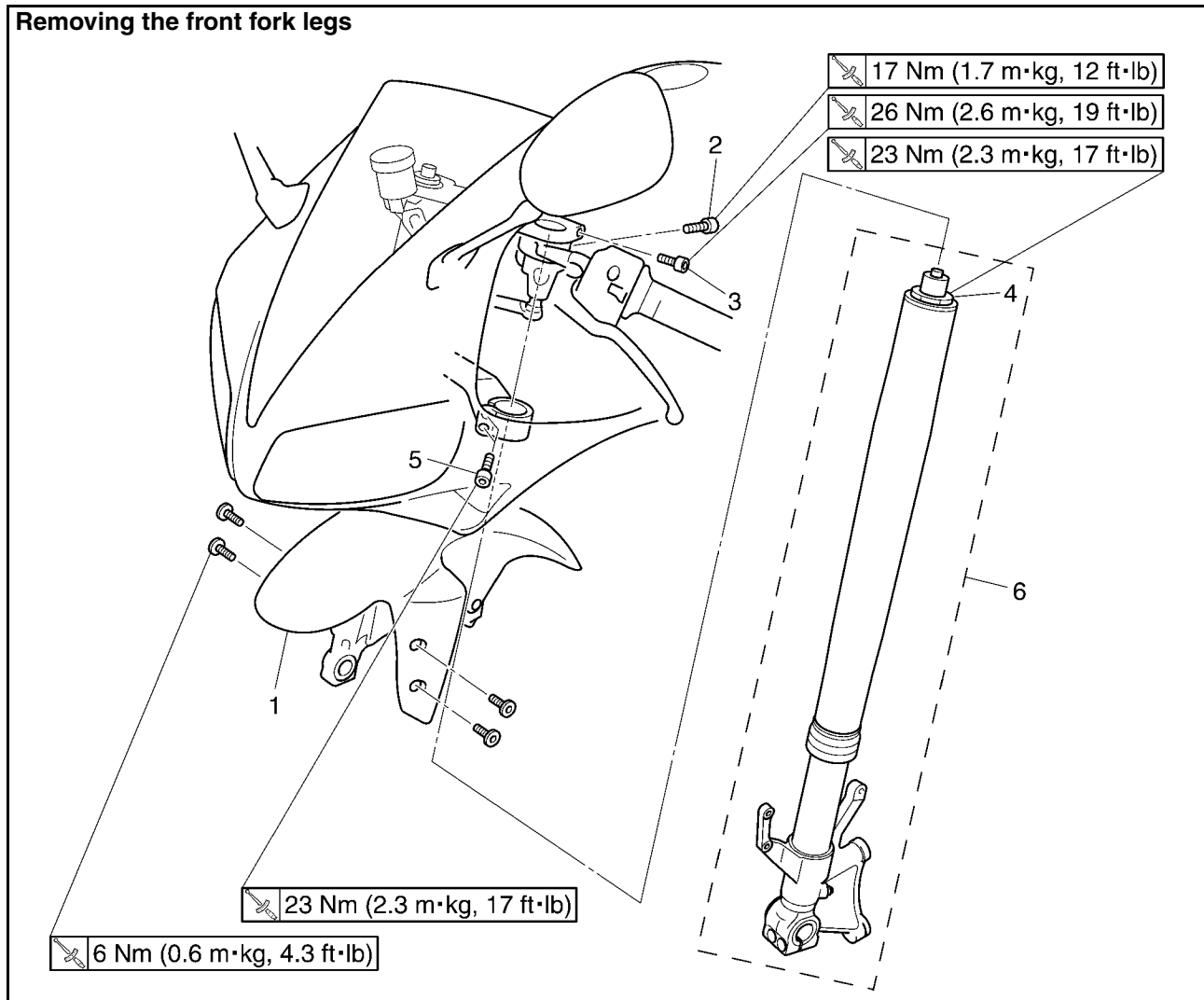
Front brake master cylinder holder bolt
13 Nm (1.3 m·kg, 9.4 ft·lb)



EAS22950

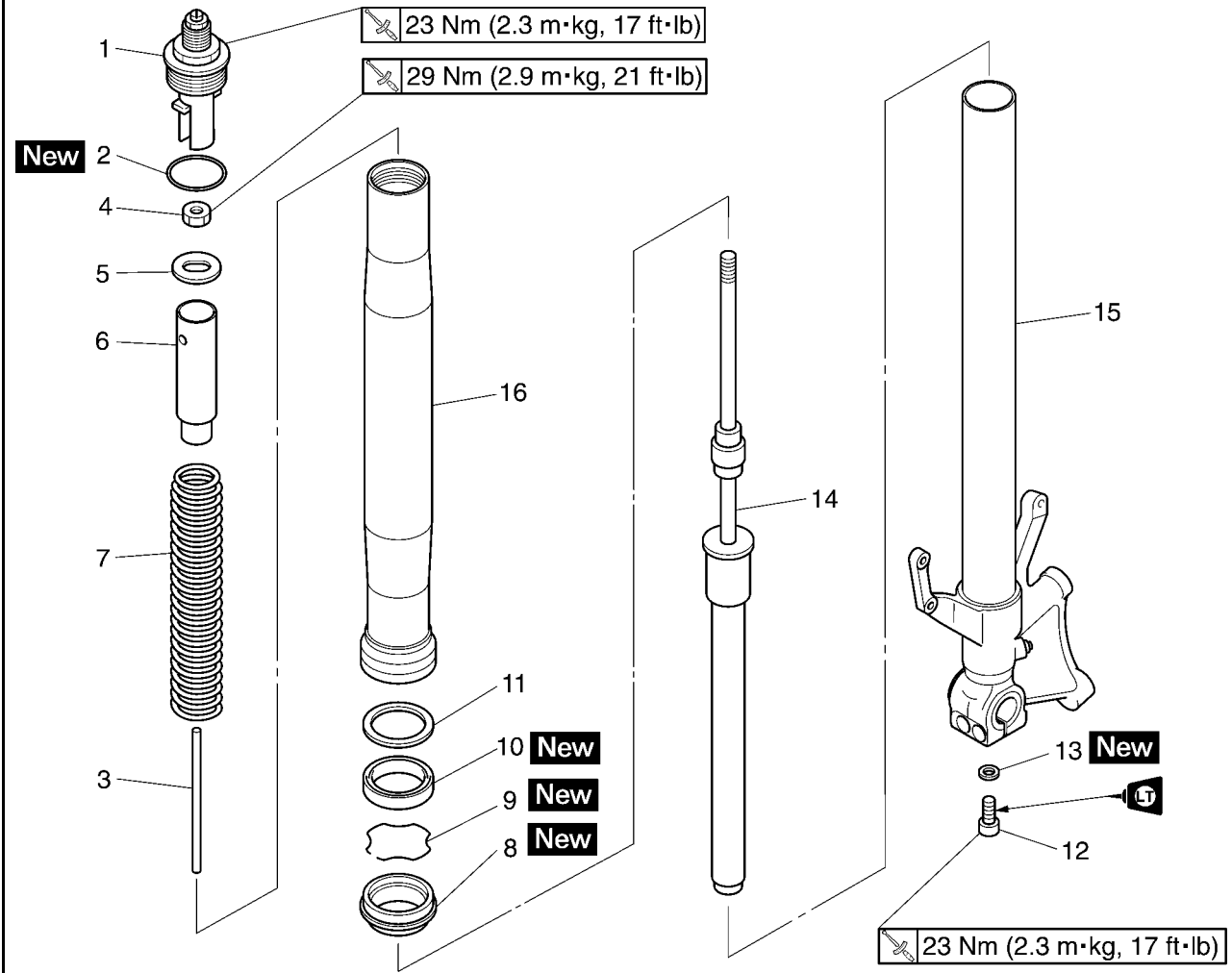
FRONT FORK

Removing the front fork legs



Order	Job/Parts to remove	Q'ty	Remarks
	Front wheel		Refer to "FRONT WHEEL" on page 4-8.
	Front brake caliper		Refer to "FRONT BRAKE" on page 4-20.
	Side cowling		Refer to "GENERAL CHASSIS" on page 4-1.
1	Front fender	1	
2	Handlebar pinch bolt	1	Loosen.
3	Upper bracket pinch bolt	1	Loosen.
4	Cap bolt	1	Loosen.
5	Lower bracket pinch bolt	1	Loosen.
6	Front fork leg	1	
			For installation, reverse the removal procedure.

Disassembling the front fork legs



Order	Job/Parts to remove	Q'ty	Remarks
1	Cap bolt	1	
2	O-ring	1	
3	Damper adjusting rod	1	
4	Damper adjusting rod locknut	1	
5	Washer	1	
6	Spacer	1	
7	Fork spring	1	
8	Dust seal	1	
9	Oil seal clip	1	
10	Oil seal	1	
11	Washer	1	
12	Damper rod assembly bolt	1	
13	Copper washer	1	
14	Damper rod assembly	1	
15	Inner tube	1	
16	Outer tube	1	
			For assembly, reverse the disassembly procedure.

EAS22970

REMOVING THE FRONT FORK LEGS

The following procedure applies to both of the front fork legs.

1. Stand the vehicle on a level surface.

EWA13120

WARNING

Securely support the vehicle so that there is no danger of it falling over.

NOTE:

Place the vehicle on a suitable stand so that the front wheel is elevated.

2. Remove:

- Front wheel
Refer to "FRONT WHEEL" on page 4-8.
- Front brake caliper
Refer to "FRONT BRAKE" on page 4-20.
- Side cowlings
Refer to "GENERAL CHASSIS" on page 4-1.

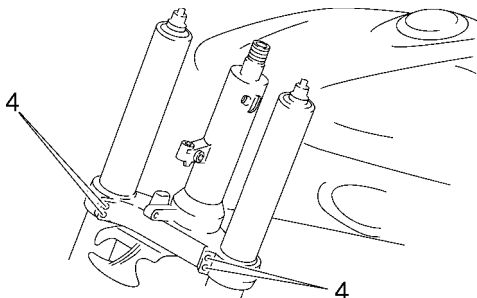
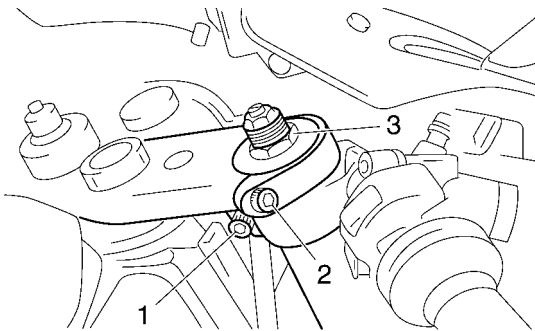
3. Loosen:

- Handlebar pinch bolt "1"
- Upper bracket pinch bolts "2"
- Cap bolt "3"
- Lower bracket pinch bolts "4"

EWA13640

WARNING

Before loosening the upper and lower bracket pinch bolts, support the front fork leg.



4. Remove:

- Front fork leg

EAS22990

DISASSEMBLING THE FRONT FORK LEGS

The following procedure applies to both of the front fork legs.

1. Remove:

- Cap bolt "1"
(from the damper adjusting rod)
- Spacers "2"
- Nut "3"



- a. Press down on the spacer with the fork spring compressor "4".
- b. Install the rod holder "5" between the nut "3" and the spacer "2".



Fork spring compressor

90890-01441

YM-01441

Rod holder

90890-01434

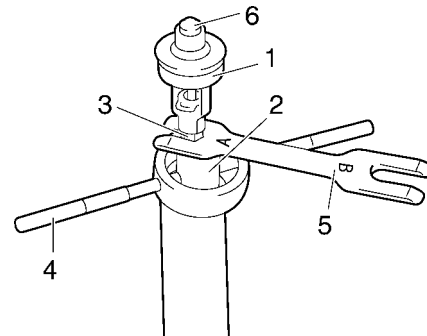
Damper rod holder double ended

YM-01434

NOTE:

Use the side of the rod holder that is marked "A".

- c. Hold the spring preload adjusting bolt "6" and loosen the nut "3".



- d. Remove the cap bolt.
- e. Remove the rod holder and fork spring compressor.
- f. Remove the spacer and nut.

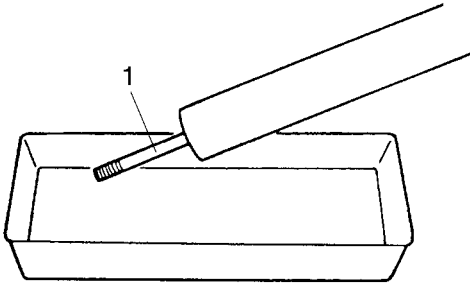


2. Drain:

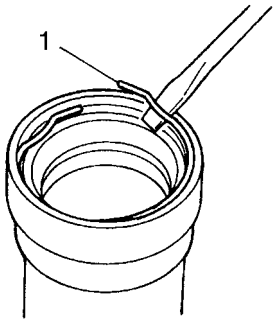
- Fork oil

NOTE:

Stroke the damper rod "1" several times while draining the fork oil.



- Remove:
 - Dust seal
 - Oil seal clip "1" (with a flat-head screwdriver)
 - Oil seal
 - Washer



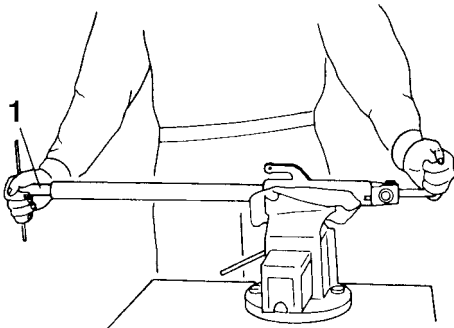
- Remove:
 - Damper rod assembly bolt
 - Damper rod assembly

NOTE:

While holding the damper rod with the damper rod holder "1", loosen the damper rod assembly bolt.



Damper rod holder
90890-01423
Damping rod holder
YM-01423



EAS23010

CHECKING THE FRONT FORK LEGS

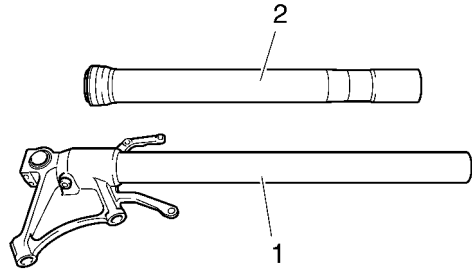
The following procedure applies to both of the front fork legs.

- Check:
 - Inner tube "1"
 - Outer tube "2"
 Bends/damage/scratches → Replace.

EWA13650

WARNING

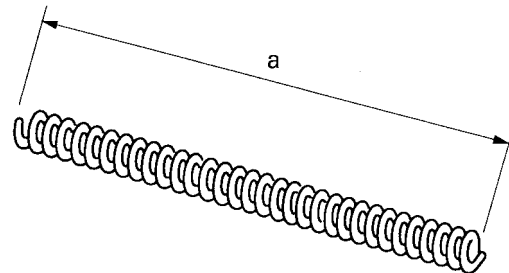
Do not attempt to straighten a bent inner tube as this may dangerously weaken it.



- Measure:
 - Spring free length "a"
 Out of specification → Replace.



Fork spring free length
237.5 mm (9.35 in)
Limit
232.8 mm (9.17 in)



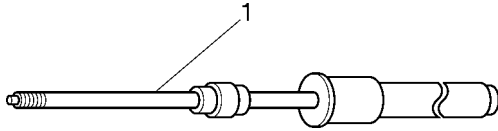
12311703

- Check:
 - Damper rod assembly "1"
 Damage/wear → Replace.
 Obstruction → Blow out all of the oil passages with compressed air.
 - Damper adjusting rod
 Bends/damage → Replace.

ECA14200

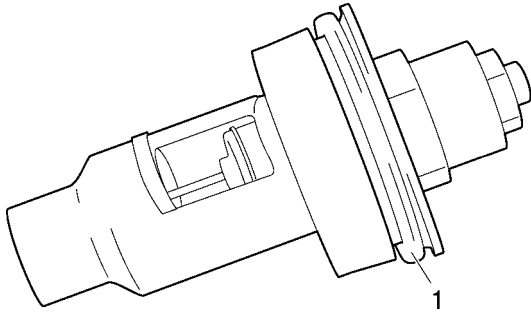
CAUTION:

- The front fork leg has a built-in damper adjusting rod and a very sophisticated internal construction, which are particularly sensitive to foreign material.
- When disassembling and assembling the front fork leg, do not allow any foreign material to enter the front fork.



4. Check:

- Cap bolt O-ring "1"
Damage/wear → Replace.



EAS23040

ASSEMBLING THE FRONT FORK LEGS

The following procedure applies to both of the front fork legs.

EWA13660

WARNING

- Make sure the oil levels in both front fork legs are equal.
- Uneven oil levels can result in poor handling and a loss of stability.

NOTE:

- When assembling the front fork leg, be sure to replace the following parts:
 - Outer tube bushing
 - Oil seal
 - Dust seal
- Before assembling the front fork leg, make sure all of the components are clean.

1. Install:

- Damper rod assembly "1"
- Inner tube "2"
- Damper rod assembly bolt
- Cooper washer **New**

EWA4C81002

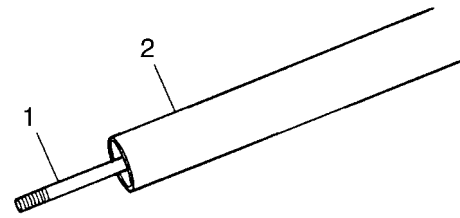
WARNING

Always use new copper washer.

ECA14210

CAUTION:

Allow the damper rod assembly to slide slowly down the inner tube "2" until it protrudes from the bottom of the inner tube. Be careful not to damage the inner tube.



2. Lubricate:

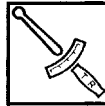
- Inner tube's outer surface



Recommended oil
Suspension oil 01 or equivalent

3. Tighten:

- Damper rod assembly bolt "1"



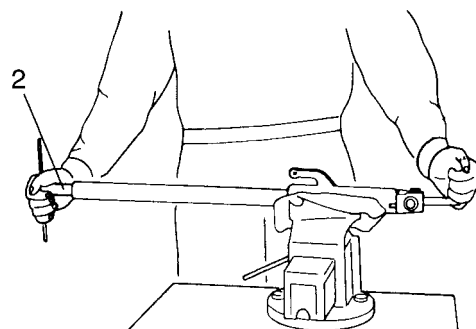
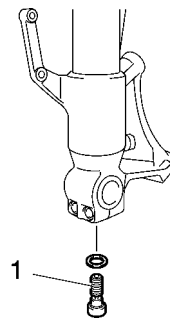
Damper rod assembly bolt
23 Nm (2.3 m·kg, 17 ft·lb)
LOCTITE®

NOTE:

While holding the damper rod assembly with the damper rod holder "2", tighten the damper rod assembly bolt.



Damper rod holder
90890-01423
Damping rod holder
YM-01423



4. Install:

- Dust seal "1"
- Oil seal clip "2"
- Oil seal "3"
- Washer "4"

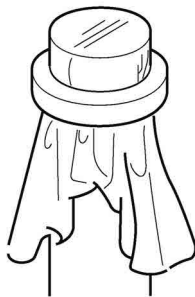
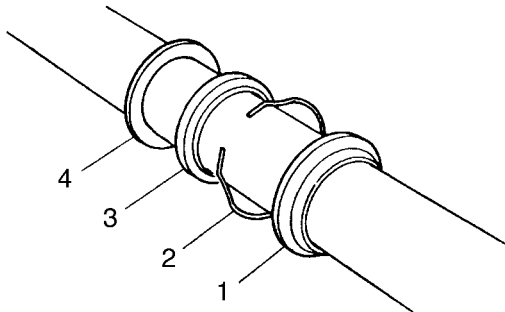
ECA14220

CAUTION:

Make sure the numbered side of the oil seal faces up.

NOTE:

- Before installing the oil seal, lubricate its lips with lithium-soap-based grease.
- Lubricate the outer surface of the inner tube with fork oil.
- Before installing the oil seal, cover the top of the front fork leg with a plastic bag to protect the oil seal during installation.

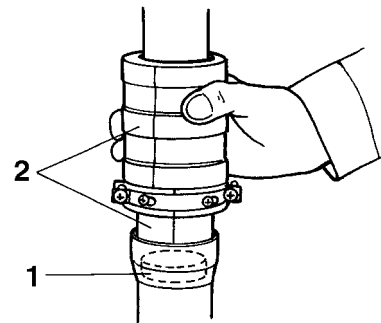


5. Install:

- Washer
 - Oil seal "1"
- (with the fork seal driver "2")



Fork seal driver
90890-01442
Adjustable fork seal driver (36–46 mm)
YM-01442

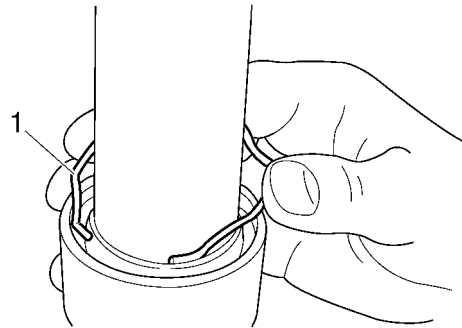


6. Install:

- Oil seal clip "1"

NOTE:

Adjust the oil seal clip so that it fits into the outer tube's groove.

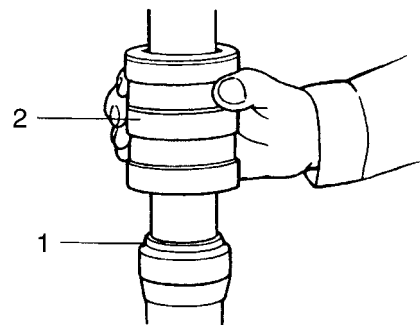


7. Install:

- Dust seal "1"
- (with the fork seal driver "2")



Fork seal driver
90890-01442
Adjustable fork seal driver (36–46 mm)
YM-01442

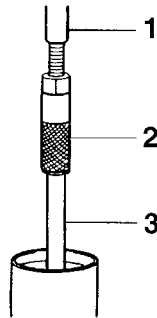


8. Install:

- Rod puller "1"
 - Rod puller attachment "2"
- (onto the damper rod "3")



Rod puller
90890-01437
Universal damping rod bleeding tool set
YM-A8703
Rod puller attachment (M12)
90890-01435
Universal damping rod bleeding tool set
YM-A8703



9. Fill:
- Front fork leg
(with the specified amount of the recommended fork oil)



Quantity
513.0 cm³ (17.34 US oz) (18.09 Imp.oz)
Recommended oil
Suspension oil 01

ECA14230

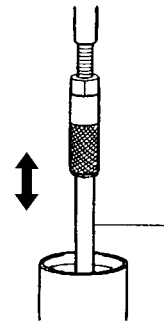
CAUTION:

- **Be sure to use the recommended fork oil. Other oils may have an adverse effect on front fork performance.**
- **When disassembling and assembling the front fork leg, do not allow any foreign material to enter the front fork.**

10. After filling the front fork leg, slowly stroke the damper rod "1" up and down (at least ten times) to distribute the fork oil.

NOTE:

Be sure to stroke the damper rod slowly because the fork oil may spurt out.



11. Before measuring the fork oil level, wait ten minutes until the oil has settled and the air bubbles have dispersed.

NOTE:

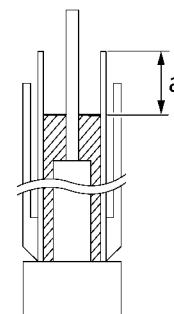
Be sure to bleed the front fork leg of any residual air.

12. Measure:

- Front fork leg oil level "a"
Out of specification → Correct.

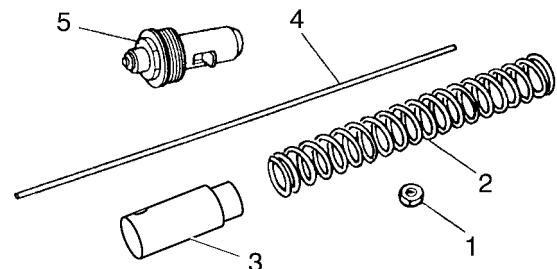


Level
101.0 mm (3.98 in)



13. Install:

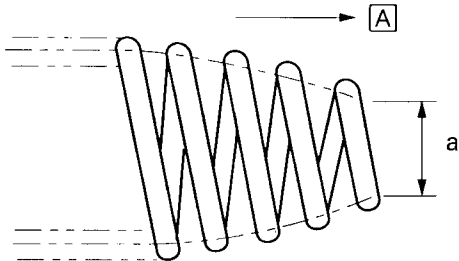
- Damper adjusting rod locknut "1"
- Fork spring "2"
- Spacer "3"
- Damper adjusting rod "4"
- Cap bolt "5"



- Remove the rod puller attachment.
- Install the nut.
- Install the fork spring and spacer.

NOTE:

Install the spring with the smaller pitch "a" facing up "A".



12311702

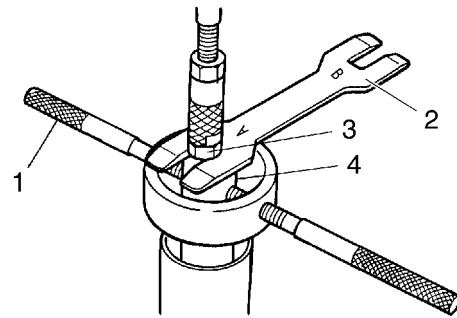
- Reinstall the rod puller attachment
- Press down in the spacer with the fork spring compressor "1"
- Pull up the rod puller and install the rod holder "2" between the damper adjusting rod locknut "3" and the spacer "4".

NOTE:

Use the side of the rod holder that is marked "A".



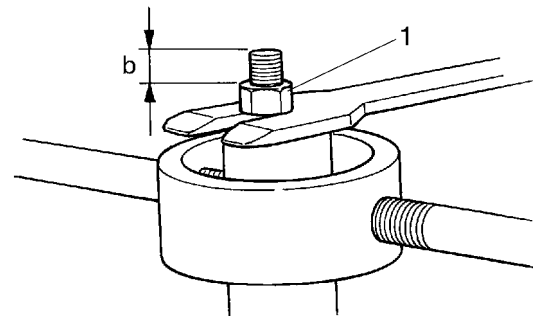
Rod puller
90890-01437
Universal damping rod bleeding tool set
YM-A8703
Rod puller attachment (M12)
90890-01435
Universal damping rod bleeding tool set
YM-A8703
Fork spring compressor
90890-01441
YM-01441
Rod holder
90890-01434
Damper rod holder double ended
YM-01434



- Remove the rod puller and the rod puller attachment.
- Install the nut "1" and position it as specified "b".



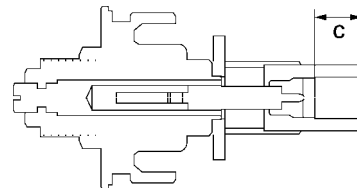
Distance "b"
11 mm (0.43 in)



- Set the cap bolt distance "c" to specification.



Distance "c"
13 mm (0.51 in)



- Install the damper adjusting rod and cap bolt, and then finger tighten the cap bolt.
- Hold the cap bolt and tighten the damper adjusting rod locknut to specification.



Damper adjusting rod locknut
29 Nm (2.9 m·kg, 21 ft·lb)

- Remove the rod holder and fork spring compressor.

EWA4C81003

⚠ WARNING

- The fork spring is compressed.
- Always use a new cap bolt O-ring.



EAS23050

INSTALLING THE FRONT FORK LEGS

The following procedure applies to both of the front fork legs.

1. Install:
 - Front fork leg
Temporarily tighten the upper and lower bracket pinch bolts.
2. Tighten:
 - Lower bracket pinch bolt "1"

	<p>Lower bracket pinch bolt 23 Nm (2.3 m·kg, 17 ft·lb)</p>
--	---

- Cap bolt "2"

	<p>Cap bolt 23 Nm (2.3 m·kg, 17 ft·lb)</p>
--	---

- Handlebar pinch bolt "3"

	<p>Handlebar pinch bolt 17 Nm (1.7 m·kg, 12 ft·lb)</p>
--	---

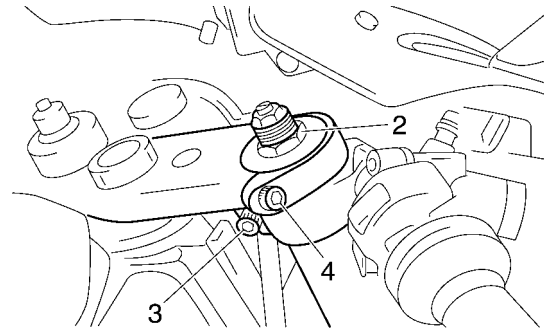
- Upper bracket pinch bolt "4"

	<p>Upper bracket pinch bolt 26 Nm (2.6 m·kg, 19 ft·lb)</p>
--	---

EWA13680

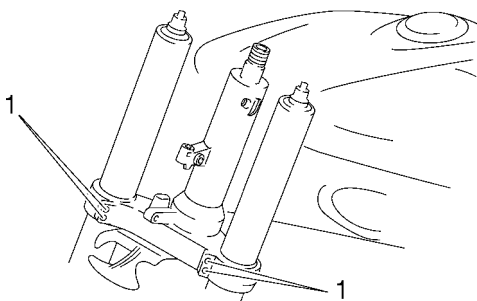
⚠ WARNING

Make sure the brake hoses are routed properly.



3. Adjust:
 - Spring preload
 - Rebound damping
 - Compression damping

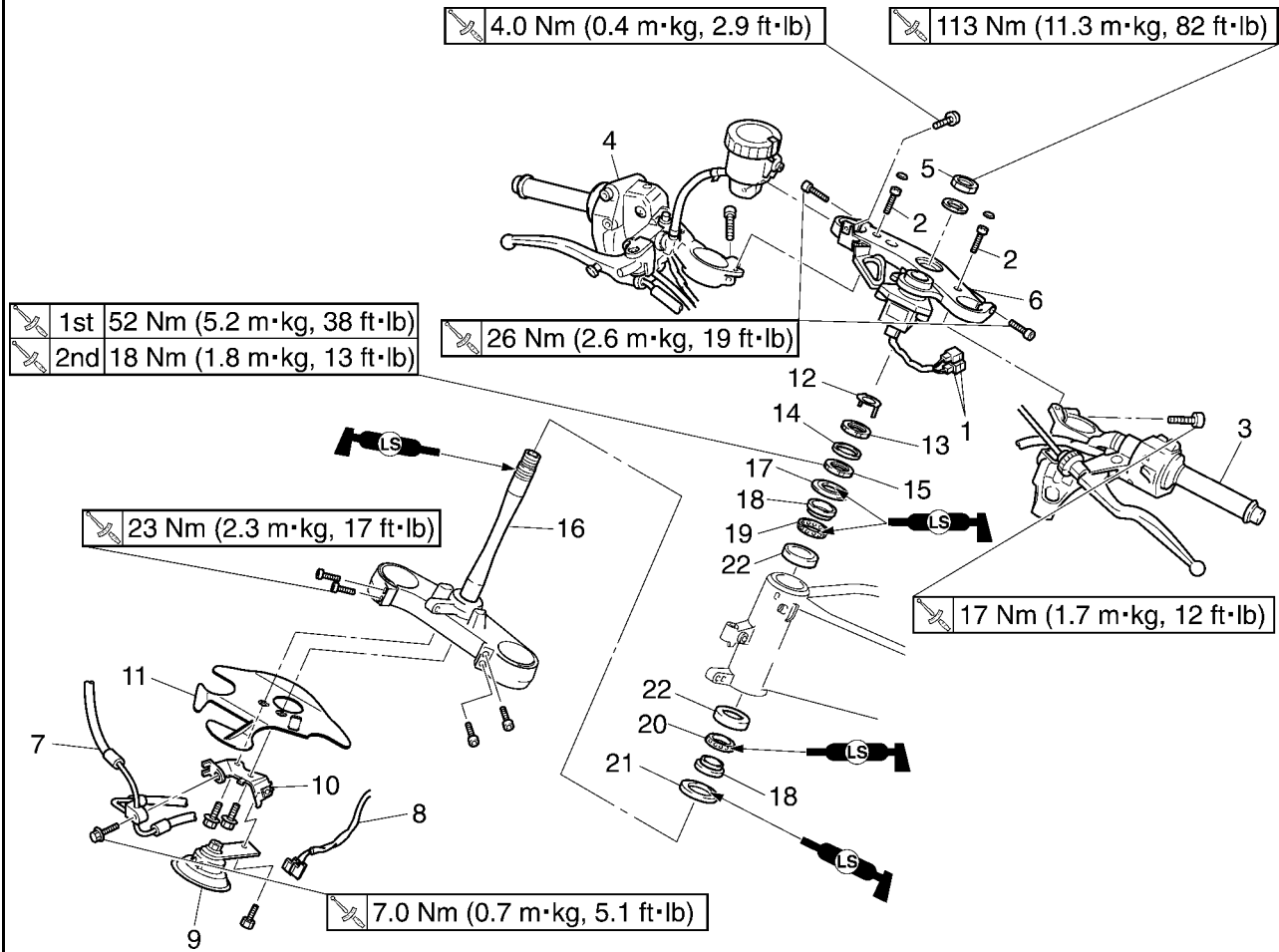
Refer to "ADJUSTING THE FRONT FORK LEGS" on page 3-29.



EAS23090

STEERING HEAD

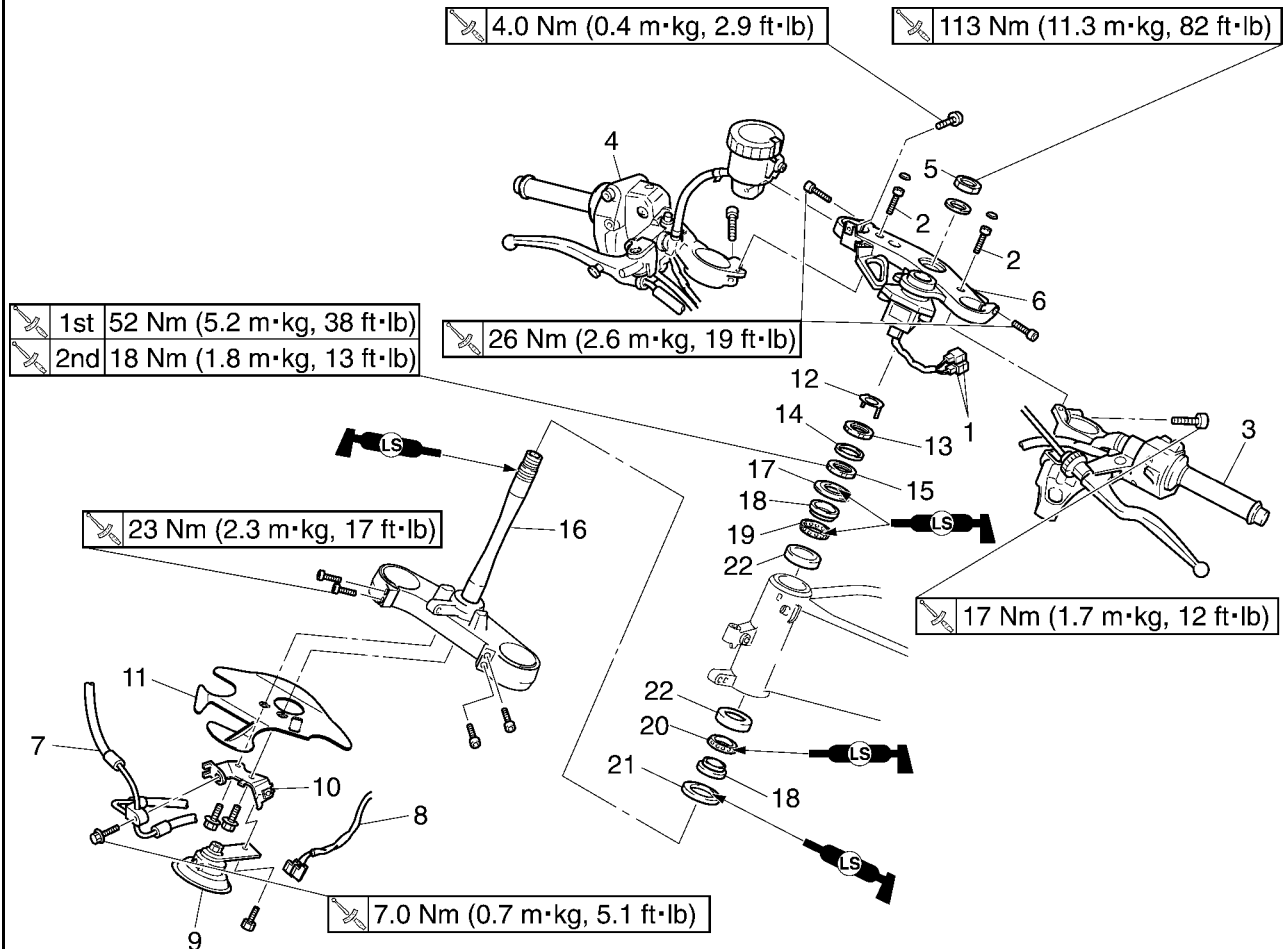
Removing the lower bracket



Order	Job/Parts to remove	Q'ty	Remarks
	Front cowling		Refer to "GENERAL CHASSIS" on page 4-1.
	Side cowling		Refer to "GENERAL CHASSIS" on page 4-1.
	Front wheel		Refer to "FRONT WHEEL" on page 4-8.
	Front fork legs		Refer to "FRONT BRAKE" on page 4-20.
	Handlebar		Refer to "HANDLEBARS" on page 4-45.
1	Main switch lead coupler	2	Disconnect.
2	Upper bracket bolt	2	
3	Left handlebar assembly	1	
4	Right handlebar assembly	1	
5	Steering stem nut	1	
6	Upper bracket	1	
7	Front brake hose joint	1	
8	Horn lead connector	1	Disconnect.
9	Horn	1	
10	Horn bracket	1	
11	Lower bracket cover	1	
12	Lock washer	1	
13	Upper ring nut	1	
14	Rubber washer	1	
15	Lower ring nut	1	
16	Lower bracket	1	

STEERING HEAD

Removing the lower bracket



Order	Job/Parts to remove	Q'ty	Remarks
17	Bearing cover	1	
18	Bearing inner race	2	
19	Upper bearing	1	
20	Lower bearing	1	
21	Dust seal	1	
22	Bearing outer race	2	
			For installation, reverse the removal procedure.

EAS23110

REMOVING THE LOWER BRACKET

1. Stand the vehicle on a level surface.

EWA13120

WARNING

Securely support the vehicle so that there is no danger of it falling over.

2. Remove:

- Upper ring nut "1"
(with the steering nut wrench "2")

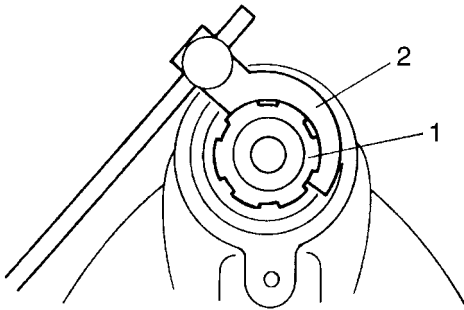


Steering nut wrench
90890-01403
Spanner wrench
YU-33975

EWA13730

WARNING

Securely support the lower bracket so that there is no danger of it falling.



- Bearings
- Bearing races



- Remove the bearing races "1" from the steering head pipe with a long rod "2" and hammer.
- Remove the bearing race "3" from the lower bracket with a floor chisel "4" and hammer.
- Install a new dust seal and new bearing races.

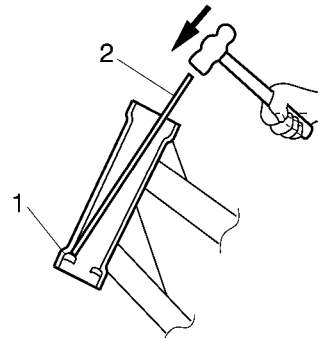
ECA14270

CAUTION:

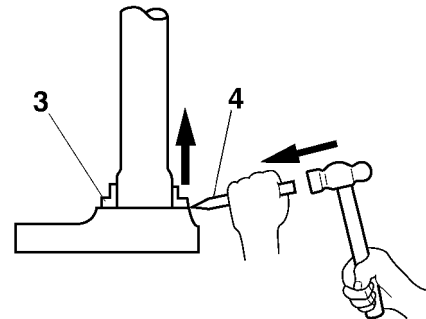
If the bearing race is not installed properly, the steering head pipe could be damaged.

NOTE:

- Always replace the bearings and bearing races as a set.
- Whenever the steering head is disassembled, replace the rubber seal.



I2160503



EAS23130

CHECKING THE STEERING HEAD

1. Wash:

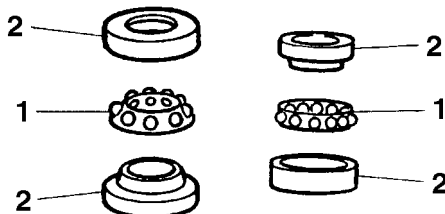
- Bearings
- Bearing races



Recommended cleaning solvent
Kerosene

2. Check:

- Bearings "1"
 - Bearing races "2"
- Damage/pitting → Replace.



3. Replace:



4. Check:

- Upper bracket
 - Lower bracket
(along with the steering stem)
- Bends/cracks/damage → Replace.

EAS23140

INSTALLING THE STEERING HEAD

1. Lubricate:

- Upper bearing
- Lower bearing

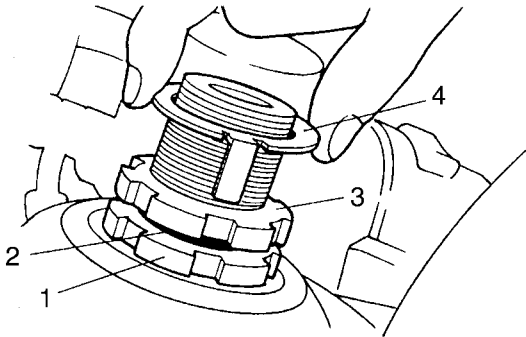
- Bearing races



2. Install:

- Lower ring nut "1"
- Rubber washer "2"
- Upper ring nut "3"
- Lock washer "4"

Refer to "CHECKING AND ADJUSTING THE STEERING HEAD" on page 3-27.



3. Install:

- Upper bracket
- Steering stem nut

NOTE: _____

Temporarily tighten the steering stem nut.

4. Install:

- Front fork legs
- Refer to "INSTALLING THE FRONT FORK LEGS" on page 4-58.

NOTE: _____

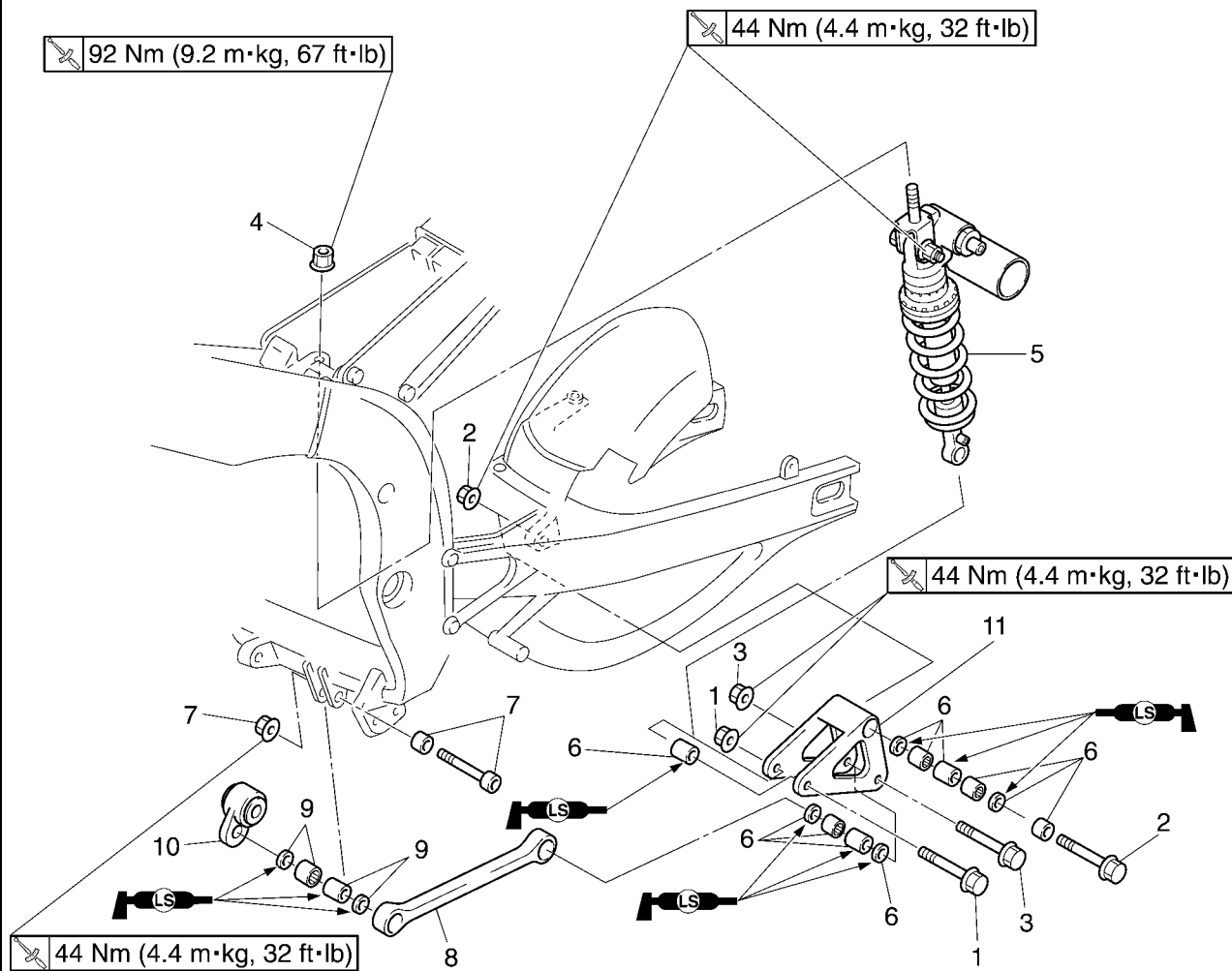
Temporarily tighten the upper and lower bracket pinch bolts.

REAR SHOCK ABSORBER ASSEMBLY

EAS23160

REAR SHOCK ABSORBER ASSEMBLY

Removing the rear shock absorber assembly



Order	Job/Parts to remove	Q'ty	Remarks
	Rider seat		Refer to "GENERAL CHASSIS" on page 4-1.
	Passenger seat		Refer to "GENERAL CHASSIS" on page 4-1.
	Fuel tank		Refer to "FUEL TANK" on page 7-1.
1	Self-locking nut/bolt	1/1	
2	Self-locking nut/bolt	1/1	
3	Self-locking nut/bolt	1/1/1	
4	Self-locking nut	1	
5	Rear shock absorber assembly	1	
6	Oil seal/bearing/collar	4/3/4	
7	Collar/self-locking nut/bolt	1/1/1	
8	Connecting arm	1	
9	Oil seal/bearing/collar	2/1/1	
10	Catalytic converter pipe stay	1	
11	Relay arm	1	
			For installation, reverse the removal procedure.

REAR SHOCK ABSORBER ASSEMBLY

EAS23180

HANDLING THE REAR SHOCK ABSORBER

EWA13740



WARNING

This rear shock absorber contains highly compressed nitrogen gas. Before handling the rear shock absorber, read and make sure you understand the following information. The manufacturer cannot be held responsible for property damage or personal injury that may result from improper handling of the rear shock absorber.

- Do not tamper or attempt to open the rear shock absorber.
- Do not subject the rear shock absorber to an open flame or any other source of high heat. High heat can cause an explosion due to excessive gas pressure.
- Do not deform or damage the rear shock absorber in any way. Rear shock absorber damage will result in poor damping performance.

EAS23190

DISPOSING OF A REAR SHOCK ABSORBER

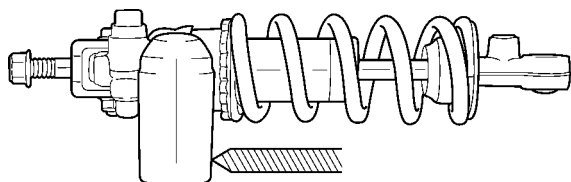
1. Gas pressure must be released before disposing of a rear shock absorber. To release the gas pressure, drill a 2–3-mm hole through the rear shock absorber at a point 15–20 mm from its end as shown.

EWA13760



WARNING

Wear eye protection to prevent eye damage from released gas or metal chips.



EAS23230

REMOVING THE REAR SHOCK ABSORBER ASSEMBLY

1. Stand the vehicle on a level surface.

EWA13120



WARNING

Securely support the vehicle so that there is no danger of it falling over.

NOTE:

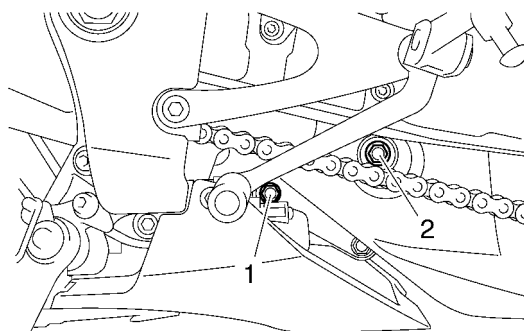
Place the vehicle on a suitable stand so that the rear wheel is elevated.

2. Remove:

- Rear shock absorber assembly lower bolt “1”
- Relay arm-to-swingarm bolt “2”

NOTE:

While removing the rear shock absorber assembly lower bolt, hold the swingarm so that it does not drop down.

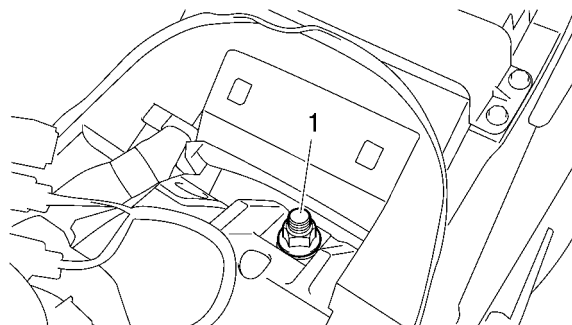


3. Remove:

- Rear shock absorber upper bracket nut “1”
- Rear shock absorber assembly

NOTE:

Lower the swingarm, and then remove the rear shock absorber assembly from between the swingarm and frame.



EAS23240

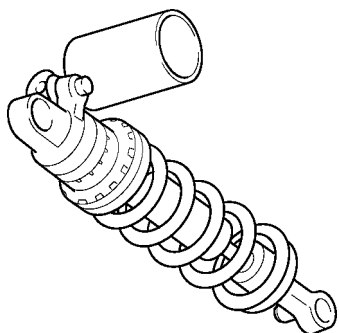
CHECKING THE REAR SHOCK ABSORBER ASSEMBLY

1. Check:

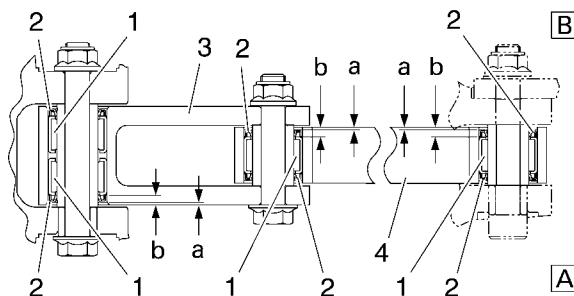
- Rear shock absorber rod
Bends/damage → Replace the rear shock absorber assembly.
- Rear shock absorber
Gas leaks/oil leaks → Replace the rear shock absorber assembly.
- Spring
Damage/wear → Replace the rear shock absorber assembly.
- Bushings
Damage/wear → Replace.

REAR SHOCK ABSORBER ASSEMBLY

- Dust seals
Damage/wear → Replace.
- Bolts
Bends/damage/wear → Replace.



Installed depth "a"
1.0 mm (0.04 in)
Installed depth "b"
4.0 mm (0.16 in)

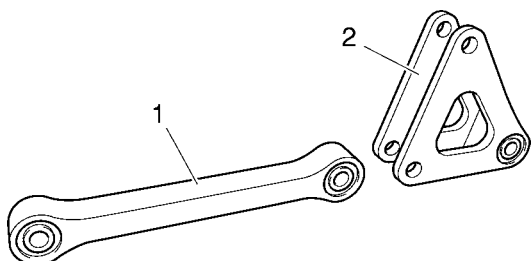


- A. Left side
B. Right side

EAS23260

CHECKING THE CONNECTING ARM AND RELAY ARM

1. Check:
 - Connecting arm "1"
 - Relay arm "2"
 Damage/wear → Replace.

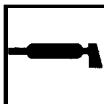


2. Check:
 - Bearings
 - Oil seals
 Damage/pitting → Replace.
3. Check:
 - Collars
 Damage/scratches → Replace.

EAS23270

INSTALLING THE RELAY ARM

1. Lubricate:
 - Collars
 - Bearings



Recommended lubricant
Lithium soap base grease

2. Install:
 - Bearing "1"
 - Oil seals "2"
(to the relay arm)
 - Relay arm "3"
 - Connecting arm "4"

EAS23310

INSTALLING THE REAR SHOCK ABSORBER ASSEMBLY

1. Lubricate:
 - Collars
 - Bearings



Recommended lubricant
Molybdenum disulfide grease

2. Install:
 - Rear shock absorber assembly

NOTE:

Install the connecting arm front bolt from the left.

3. Tighten:
 - Rear shock absorber upper bracket nut



Rear shock absorber upper
bracket nut
92 Nm (9.2 m·kg, 67 ft·lb)

- Rear shock absorber assembly lower nut



Rear shock absorber assembly
lower nut
44 Nm (4.4 m·kg, 32 ft·lb)

- Relay-arm-to-swingarm nut

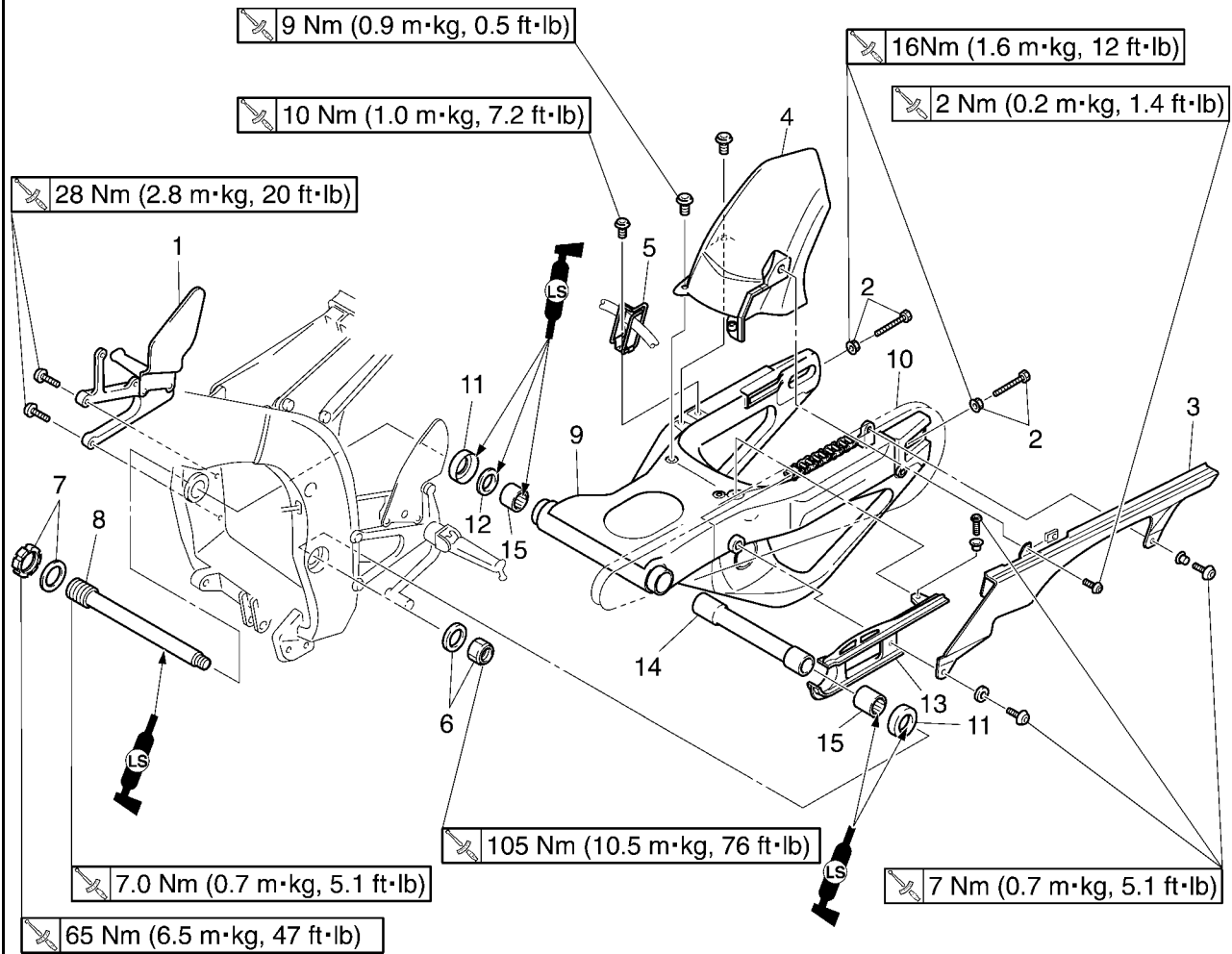


Relay-arm-to-swingarm nut
44 Nm (4.4 m·kg, 32 ft·lb)

EAS23330

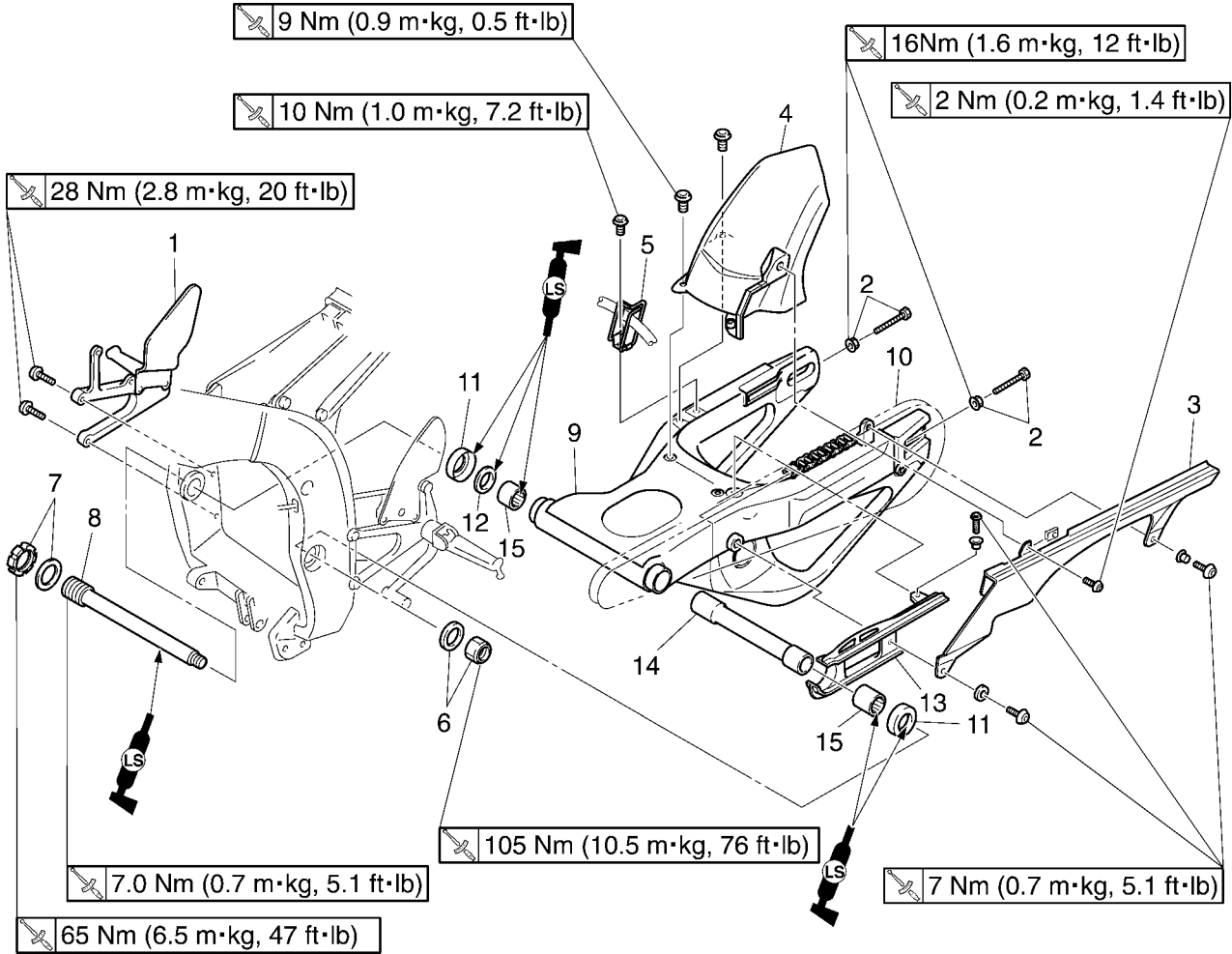
SWINGARM

Removing the swingarm



Order	Job/Parts to remove	Q'ty	Remarks
	Rear wheel		Refer to "REAR WHEEL" on page 4-14.
	Rear shock absorber assembly		Refer to "REAR SHOCK ABSORBER ASSEMBLY" on page 4-63.
	Drive sprocket		Refer to "ENGINE REMOVAL" on page 5-1.
1	Right footrest bracket	1	
2	Drive chain adjusting bolt/locknut	2/2	
3	Drive chain guard	1	
4	Rear fender	1	
5	Brake hose holder	1	
6	Pivot shaft nut/washer	1/1	
7	Pivot shaft ring nut/washer	1/1	
8	Pivot shaft	1	
9	Swingarm	1	
10	Drive chain	1	
11	Dust cover	2	
12	Washer	1	
13	Drive chain guide	1	
14	Spacer	1	
15	Bearing	2	

Removing the swingarm



Order	Job/Parts to remove	Q'ty	Remarks
			For installation, reverse the removal procedure.

EAS23350

REMOVING THE SWINGARM

1. Stand the vehicle on a level surface.

EWA13120

WARNING

Securely support the vehicle so that there is no danger of it falling over.

NOTE:

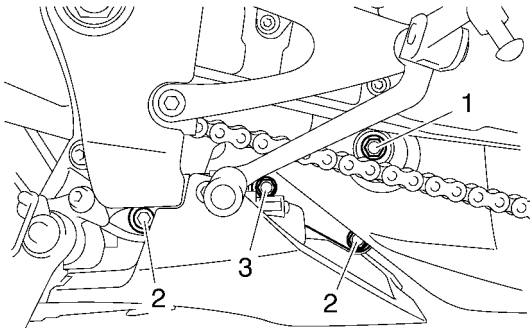
Place the vehicle on a suitable stand so that the rear wheel is elevated.

2. Remove:

- Relay arm-to-swingarm bolt "1"
- Connecting arm bolt "2"
- Rear shock absorber assembly lower bolt "3"

NOTE:

When removing the rear shock absorber assembly lower bolt, hold the swingarm so that it does not drop down.



3. Measure:

- Swingarm side play
- Swingarm vertical movement

a. Measure the tightening torque of the pivot shaft nut, pivot shaft ring nut, and pivot shaft.



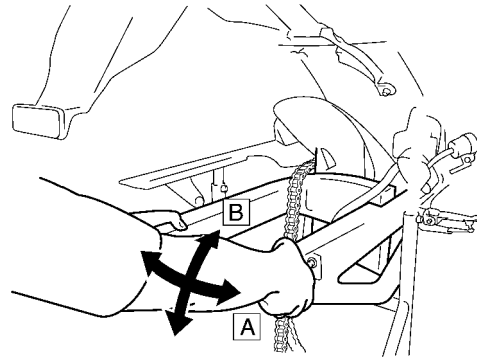
Pivot shaft nut
105 Nm (10.5 m·kg, 76 ft·lb)
Pivot shaft ring nut
65 Nm (6.5 m·kg, 47 ft·lb)
Pivot shaft
7 Nm (0.7 m·kg, 5.1 ft·lb)

- b. Measure the swingarm side play "A" by moving the swingarm from side to side.
- c. If the swingarm side play is out of specification, check the spacers, bearings, washers, and dust covers.



Swingarm side play (at the end of the swingarm)
1.0 mm (0.04 in)

- d. Check the swingarm vertical movement "B" by moving the swingarm up and down. If swingarm vertical movement is not smooth or if there is binding, check the spacers, bearings, washers, and dust covers.



4. Remove:

- Drive chain
Refer to "REMOVING THE DRIVE CHAIN" on page 4-72.

5. Remove:

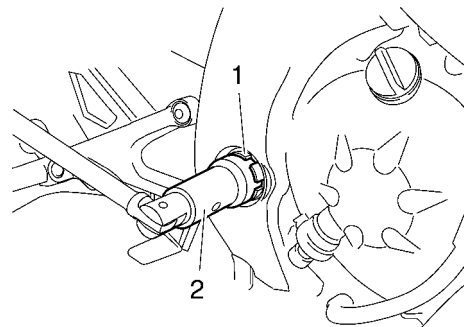
- Pivot shaft nut
- Swingarm pivot shaft ring nut "1"

NOTE:

Loosen the swingarm pivot shaft ring nut with the ring nut wrench "2".



Ring nut wrench
90890-01507
YM-01507

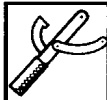


6. Remove:

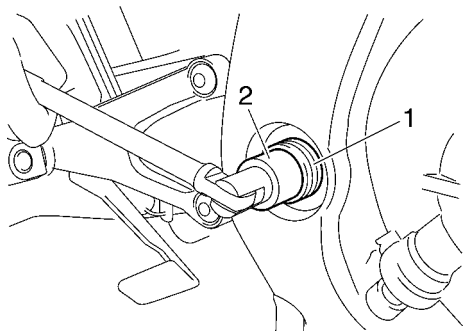
- Swingarm pivot shaft "1"

NOTE:

Loosen the swingarm pivot shaft with the damper rod holder (22 mm) "2".



**Damper rod holder (22 mm)
90890-01365**

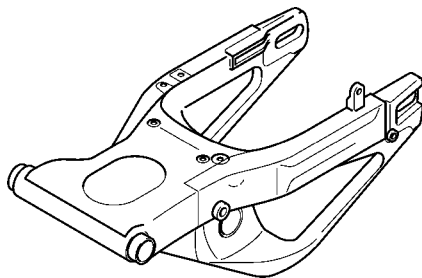


EAS23360

CHECKING THE SWINGARM

1. Check:

- Swingarm
Bends/cracks/damage → Replace.



2. Check:

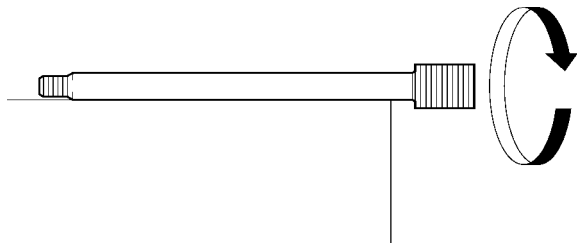
- Pivot shaft
Roll the pivot shaft on a flat surface.
Bends → Replace.

EWA13770



WARNING

Do not attempt to straighten a bent pivot shaft.



3. Wash:

- Pivot shaft
- Dust covers
- Spacer

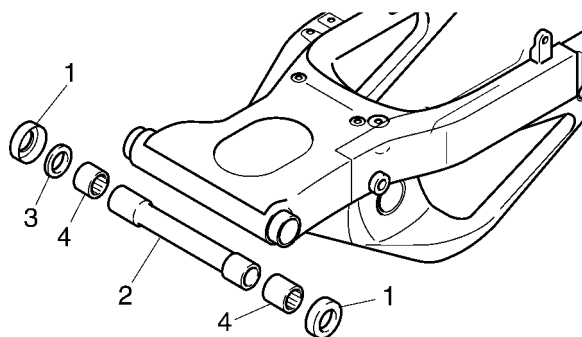
- Washers
- Bearings



**Recommended cleaning solvent
Kerosene**

4. Check:

- Dust covers "1"
- Spacer "2"
- Washer "3"
Damage/wear → Replace.
- Bearings "4"
Damage/pitting → Replace.

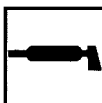


EAS23380

INSTALLING THE SWINGARM

1. Lubricate:

- Bearings
- Spacers
- Dust covers
- Pivot shaft



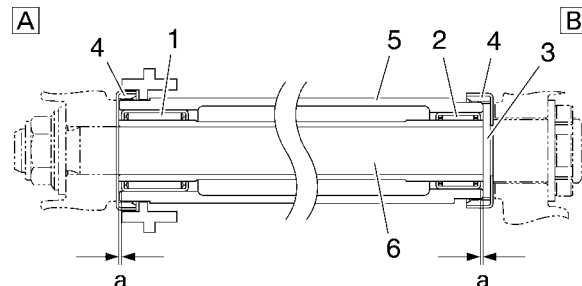
**Recommended lubricant
Molybdenum disulfide grease**

2. Install:

- Bearing "1"
- Bearing "2"
- Washer "3"



**Installed depth of bearing "a"
0–1.0 mm (0–0.04 in)**



4. Dust cover

5. Swingarm
6. Pivot shaft
 - A. Left side
 - B. Right side

3. Install:

- Pivot shaft "1"



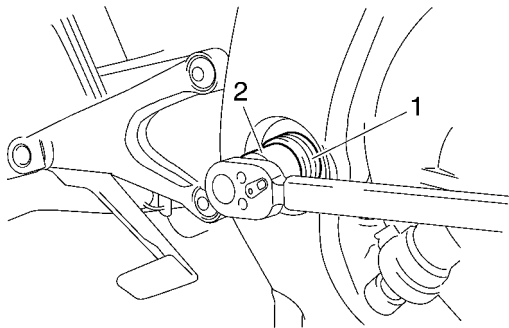
Pivot shaft
7 Nm (0.7 m·kg, 5.1 ft·lb)

NOTE:

Tighten the pivot shaft with the damper rod holder (22 mm) "2".



Damper rod holder (22 mm)
90890-01365



4. Install:

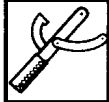
- Pivot shaft ring nut "1"



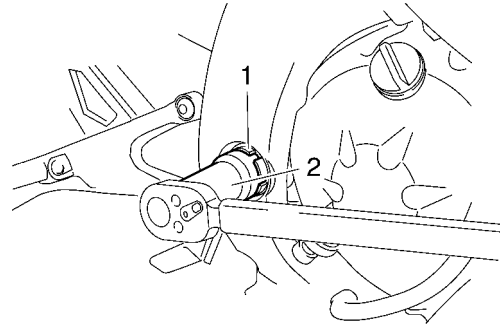
Pivot shaft ring nut
65 Nm (6.5 m·kg, 47 ft·lb)

NOTE:

- Lubricate the pivot ring nut threads and mating surfaces with lithium-soap-based grease.
- Tighten the pivot shaft ring nut with the ring nut wrench "2".

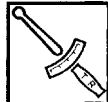


Ring nut wrench
90890-01507
YM-01507



5. Install:

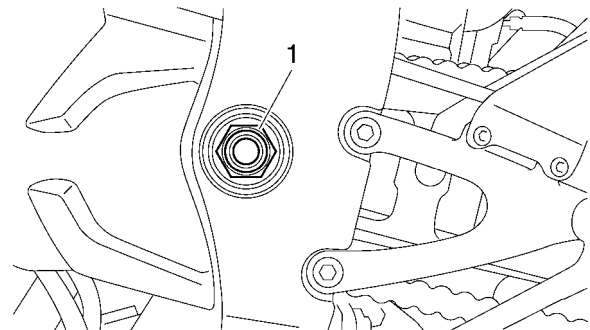
- Pivot shaft nut "1"



Pivot shaft nut
105 Nm (10.5 m·kg, 76 ft·lb)

NOTE:

Lubricant the pivot shaft nut threads and mating surfaces with lithium-soap-based grease.



6. Adjust:

- Drive chain slack
Refer to "ADJUSTING THE DRIVE CHAIN SLACK" on page 3-26.

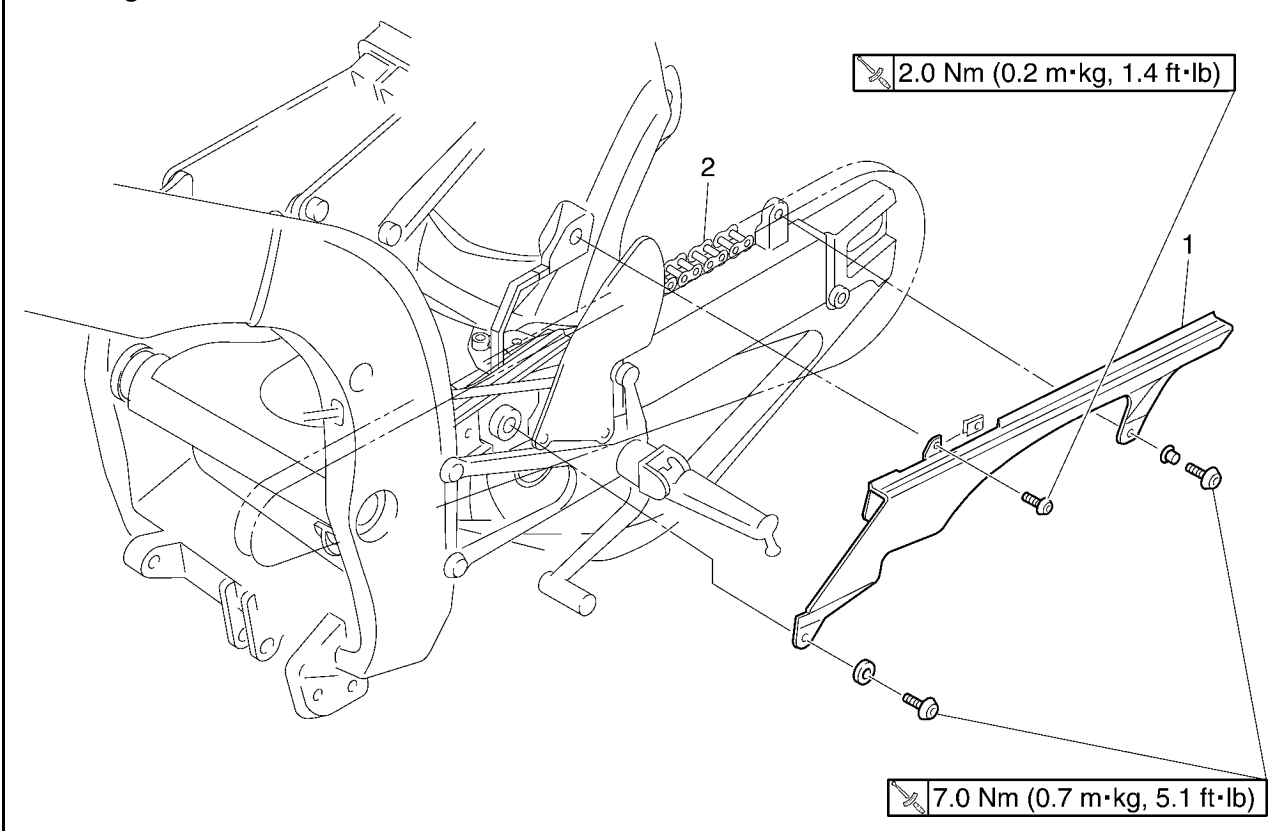


Drive chain slack
30.0–40.0 mm (1.18–1.57 in)

EAS23400

CHAIN DRIVE

Removing the drive chain



Order	Job/Parts to remove	Q'ty	Remarks
	Swingarm		Refer to "SWINGARM" on page 4-66.
1	Drive chain guard	1	
2	Drive chain	1	
			For installation, reverse the removal procedure.

EAS23410

REMOVING THE DRIVE CHAIN

1. Stand the vehicle on a level surface.

EWA13120



WARNING

Securely support the vehicle so that there is no danger of it falling over.

NOTE:

Place the vehicle on a suitable stand so that the rear wheel is elevated.

2. Remove:

- Drive chain
(with the drive chain cutter)

EAS23440

CHECKING THE DRIVE CHAIN

1. Measure:

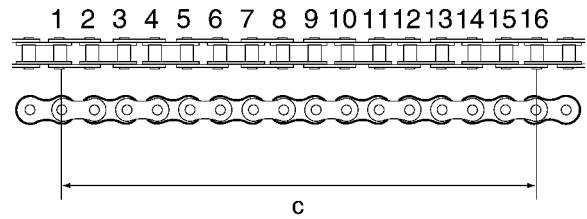
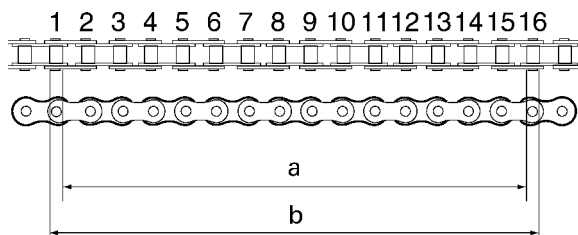
- Measure the dimension between 15-links on the inner side “a” and outer side “b” of the roller and calculate the dimension between pin centers.
- Dimension “c” between pin centers = (Inner dimension “a” + Outer dimension “b”)/2
- 15-link section “c” of the drive chain
Out of specification → Replace the drive chain, front drive sprocket and rear drive sprocket as a set.



15-link length limit
239.3 mm (9.42 in)

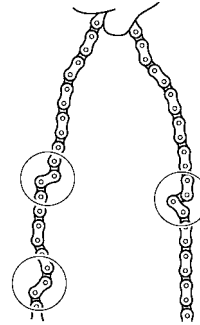
NOTE:

- While measuring the 15-link section, push down on the drive chain to increase its tension.
- Perform this measurement at two or three different places.



2. Check:

- Drive chain
Stiffness → Clean and lubricate or replace.



I2510204

3. Clean:

- Drive chain

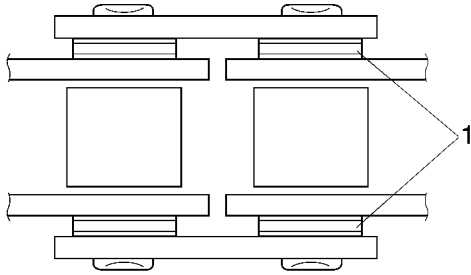
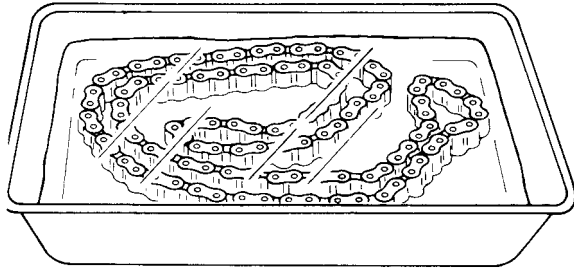


- Wipe the drive chain with a clean cloth.
- Put the drive chain in kerosene and remove any remaining dirt.
- Remove the drive chain from the kerosene and completely dry it.

ECA4C81003

CAUTION:

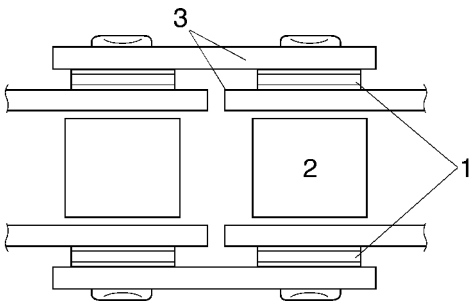
- **This vehicle has a drive chain with small rubber O-rings “1” between the drive chain side plates. Never use high-pressure water or air, steam, gasoline, certain solvents (e.g., benzene), or a coarse brush to clean the drive chain. High-pressure methods could force dirt or water into the drive chain’s internals, and solvents will deteriorate the O-rings. A coarse brush can also damage the O-rings. Therefore, use only kerosene to clean the drive chain.**
- **Do not soak the drive chain in kerosene for more than ten minutes, otherwise the O-rings can be damaged.**



I2510201

4. Check:

- O-rings "1"
Damage → Replace the drive chain.
- Drive chain rollers "2"
Damage/wear → Replace the drive chain.
- Drive chain side plates "3"
Damage/wear/cracks → Replace the drive chain.



I2510201

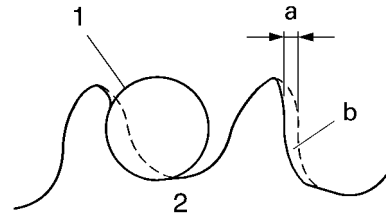
5. Lubricate:

- Drive chain

	<p>Recommended lubricant Engine oil or chain lubricant suitable for O-ring chains</p>
---	--

6. Check:

- Drive sprocket
- Rear wheel sprocket
More than 1/4 tooth "a" wear → Replace the drive chain sprockets as a set.
Bent teeth → Replace the drive chain sprockets as a set.



b. Correct

1. Drive chain roller
2. Drive chain sprocket

EAS23470

CHECKING THE REAR WHEEL SPROCKET

Refer to "CHECKING AND REPLACING THE REAR WHEEL SPROCKET" on page 4-18

EAS23480


CHECKING THE REAR WHEEL DRIVE HUB

Refer to "CHECKING THE REAR WHEEL DRIVE HUB" on page 4-18

EAS23490


INSTALLING THE DRIVE CHAIN

1. Lubricate:
 - Drive chain

	<p>Recommended lubricant Engine oil or chain lubricant suitable for O-ring chains</p>
---	--

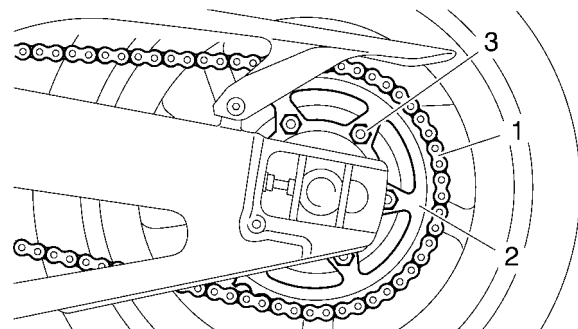
2. Install:

- Drive chain "1"
- Drive sprocket "2"
- Washer
- Drive sprocket nut "3"

	<p>Drive sprocket nut 100 Nm (10 m·kg, 72 ft·lb)</p>
---	---

NOTE:

While applying the rear brake, tighten the drive sprocket nut.



ECA14300

CAUTION:

Never install a new drive chain onto worn drive chain sprockets; this will dramatically shorten the drive chain's life.

3. Adjust:

- Drive chain slack

Refer to "ADJUSTING THE DRIVE CHAIN SLACK" on page 3-26



Drive chain slack
30.0–40.0 mm (1.18–1.57 in)

ECA13550

CAUTION:

A drive chain that is too tight will overload the engine and other vital parts, and one that is too loose can skip and damage the swingarm or cause an accident. Therefore, keep the drive chain slack within the specified limits.

ENGINE

ENGINE REMOVAL	5-1
INSTALLING THE ENGINE	5-7
CAMSHAFTS	5-9
REMOVING THE CAMSHAFTS	5-11
CHECKING THE CAMSHAFTS	5-12
CHECKING THE TIMING CHAIN AND CAMSHAFT SPROCKET	5-13
CHECKING THE TIMING CHAIN GUIDES	5-13
CHECKING THE TIMING CHAIN TENSIONER	5-13
INSTALLING THE CAMSHAFTS	5-15
CYLINDER HEAD	5-18
REMOVING THE CYLINDER HEAD	5-19
CHECKING THE CYLINDER HEAD	5-19
INSTALLING THE CYLINDER HEAD	5-19
VALVES AND VALVE SPRINGS	5-21
REMOVING THE VALVES	5-23
CHECKING THE VALVES AND VALVE GUIDES	5-23
CHECKING THE VALVE SEATS	5-25
CHECKING THE VALVE SPRINGS	5-27
CHECKING THE VALVE LIFTERS	5-28
INSTALLING THE VALVES	5-28
GENERATOR	5-30
REMOVING THE GENERATOR	5-32
INSTALLING THE GENERATOR	5-32
STARTER CLUTCH	5-34
REMOVING THE STARTER CLUTCH	5-35
CHECKING THE DAMPER	5-35
CHECKING THE STARTER CLUTCH	5-35
INSTALLING THE STARTER CLUTCH	5-36
CRANKSHAFT POSITION SENSOR	5-37
REMOVING THE CRANKSHAFT POSITION SENSOR	5-38
INSTALLING THE CRANKSHAFT POSITION SENSOR	5-38
ELECTRIC STARTER	5-39
CHECKING THE STARTER MOTOR	5-41
ASSEMBLING THE STARTER MOTOR	5-42
INSTALLING THE STARTER MOTOR	5-43
CLUTCH	5-44
REMOVING THE CLUTCH	5-47
CHECKING THE FRICTION PLATES	5-48

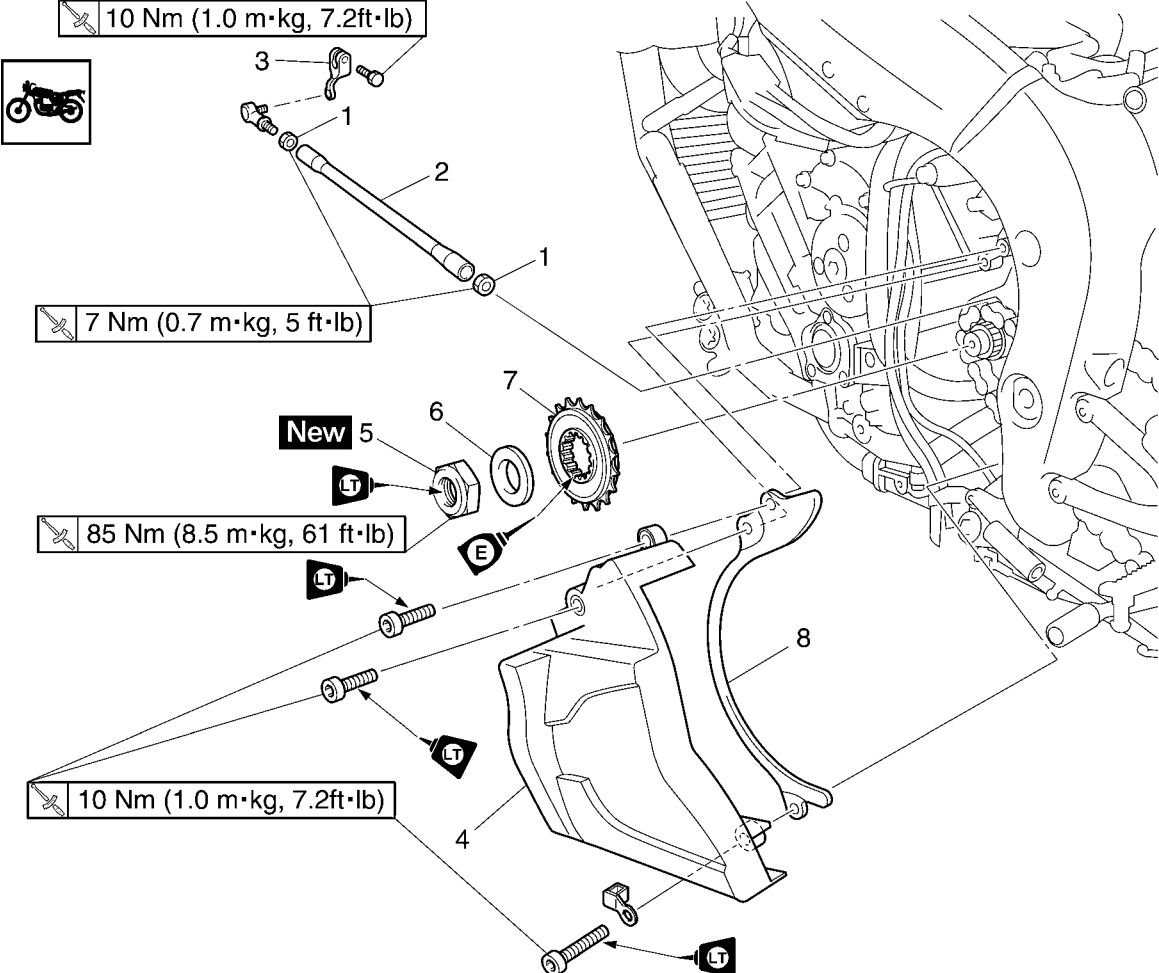
CHECKING THE CLUTCH PLATES.....	5-48
CHECKING THE CLUTCH SPRINGS.....	5-49
CHECKING THE CLUTCH HOUSING.....	5-49
CHECKING THE CLUTCH BOSS.....	5-49
CHECKING THE PRESSUR PLATE 2.....	5-50
CHECKING THE PRESSURE PLATE 1.....	5-50
CHECKING THE PUSH LEVER SHAFT AND PUSH ROD.....	5-50
INSTALLING THE CLUTCH.....	5-50
SHIFT SHAFT.....	5-54
REMOVING THE SHIFT SHAFT.....	5-55
CHECKING THE SHIFT SHAFT.....	5-55
CHECKING THE STOPPER LEVER.....	5-55
INSTALLING THE SHIFT SHAFT.....	5-55
OIL PUMP.....	5-57
REMOVING THE OIL PAN.....	5-60
CHECKING THE SPROCKET AND CHAIN.....	5-60
CHECKING THE OIL PUMP.....	5-60
CHECKING THE RELIEF VALVE.....	5-61
CHECKING THE OIL DELIVERY PIPES.....	5-61
CHECKING THE OIL STRAINER.....	5-61
CHECKING THE OIL NOZZLES.....	5-61
ASSEMBLING THE OIL PUMP.....	5-62
INSTALLING THE OIL/WATER PUMP ASSEMBLY.....	5-62
INSTALLING THE OIL PAN.....	5-63
CRANKCASE.....	5-65
DISASSEMBLING THE CRANKCASE.....	5-67
CHECKING THE CRANKCASE.....	5-67
CHECKING THE BEARING AND OIL SEALS.....	5-67
ASSEMBLING THE CRANKCASE.....	5-67
CRANKSHAFT.....	5-69
REMOVING THE CONNECTING RODS AND PISTONS.....	5-71
REMOVING THE CRANKSHAFT ASSEMBLY.....	5-71
CHECKING THE CYLINDER AND PISTON.....	5-72
CHECKING THE PISTON RINGS.....	5-72
CHECKING THE PISTON PIN.....	5-73
CHECKING THE BIG END BEARINGS.....	5-74
INSTALLING THE CONNECTING ROD AND PISTON.....	5-77
CHECKING THE CRANKSHAFT.....	5-80
CHECKING THE CRANKSHAFT DRIVE SPROCKET.....	5-80
CHECKING THE CRANKSHAFT JOURNAL BEARINGS.....	5-80
INSTALLING THE CRANKSHAFT.....	5-82
TRANSMISSION.....	5-84
REMOVING THE TRANSMISSION.....	5-89
CHECKING THE SHIFT FORKS.....	5-89
CHECKING THE SHIFT DRUM ASSEMBLY.....	5-90

CHECKING THE TRANSMISSION	5-90
INSTALLING THE TRANSMISSION.....	5-91

EAS23710

ENGINE REMOVAL

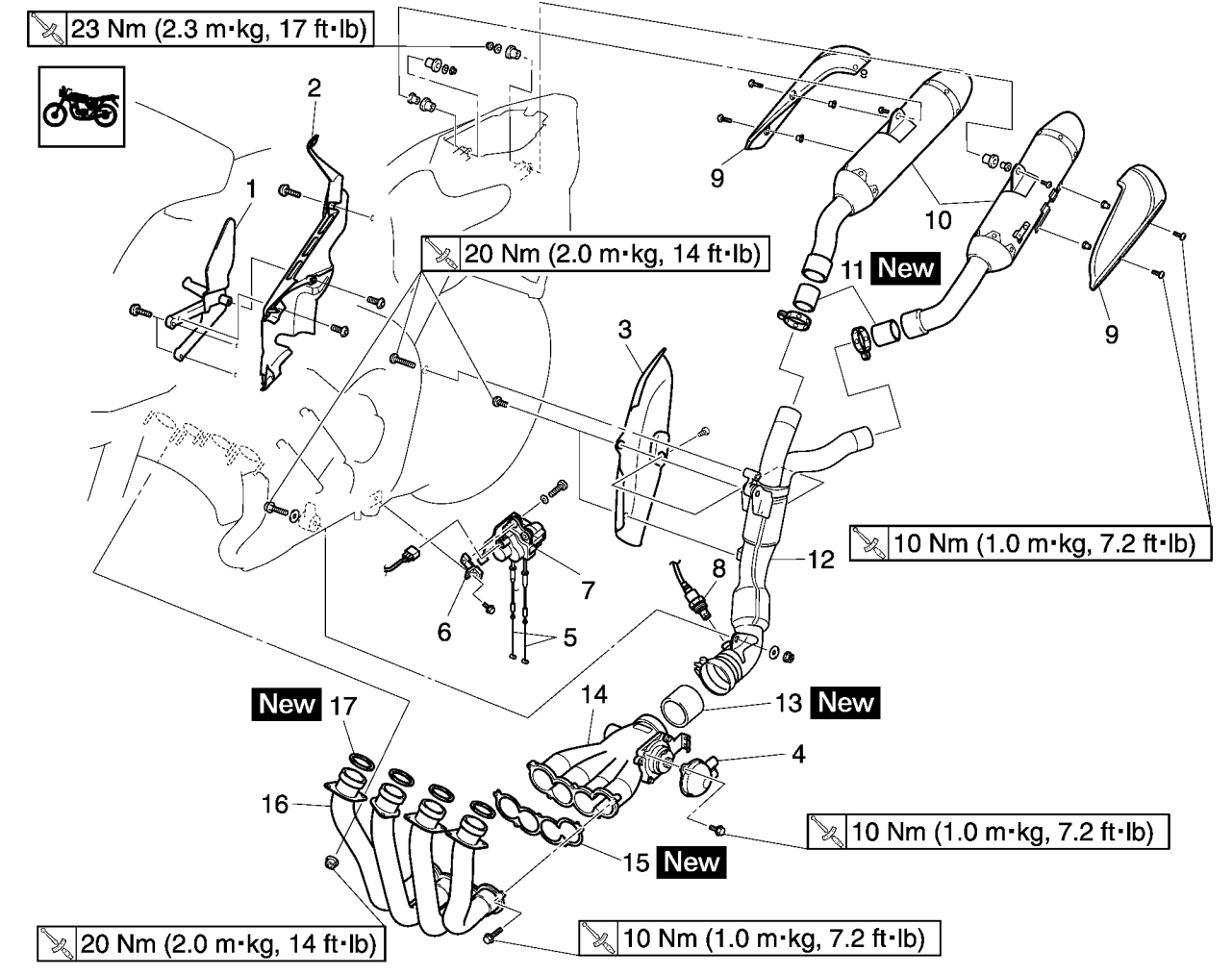
Removing the drive sprocket



Order	Job/Parts to remove	Q'ty	Remarks
	Lower cowlings		Refer to "GENERAL CHASSIS" on page 4-1.
	Drive chain		Loosen. Refer to "ADJUSTING THE DRIVE CHAIN SLACK" on page 3-26.
1	Locknut	2	
2	Shift rod	1	
3	Sift arm	1	
4	Drive sprocket cover	1	
5	Drive sprocket nut	1	
6	Lock washer	1	
7	Drive sprocket	1	
8	Plate	1	
			For installation, reverse the removal procedure.

ENGINE REMOVAL

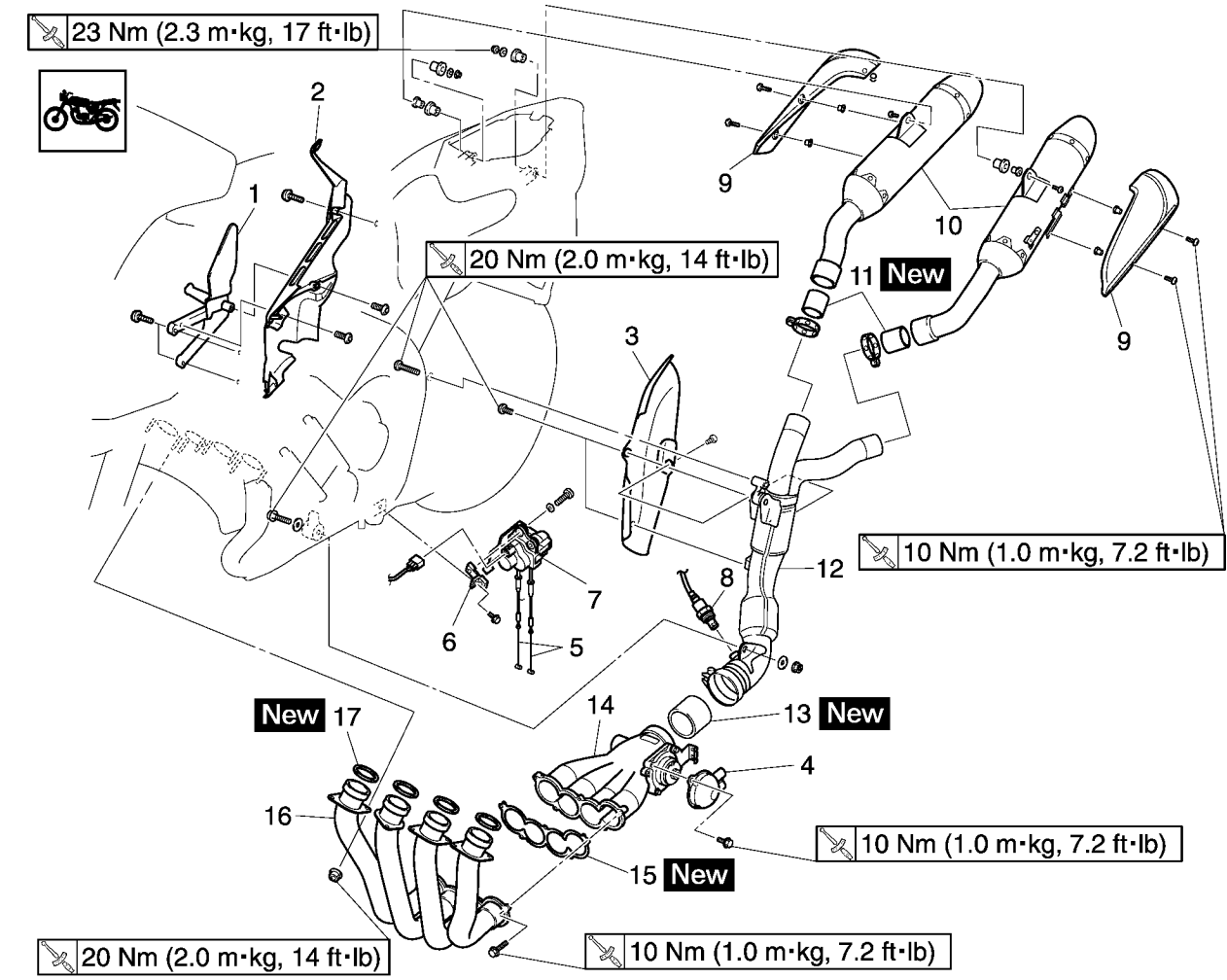
Removing the exhaust pipe



Order	Job/Parts to remove	Q'ty	Remarks
	Rider seat		Refer to "GENERAL CHASSIS" on page 4-1.
	Passenger seat		Refer to "GENERAL CHASSIS" on page 4-1.
	Side cowlings		Refer to "GENERAL CHASSIS" on page 4-1.
	Lower cowlings		Refer to "GENERAL CHASSIS" on page 4-1.
1	Right footrest bracket	1	
2	Protector cover	1	
3	Protector	1	
4	EXUP valve pulley cover	1	
5	EXUP cable	2	
6	EXUP servo motor bracket	1	
7	EXUP servo motor	1	
8	O ₂ sensor	1	
9	Muffler cover	2	
10	Muffler	2	
11	Gasket	2	
12	Catalyst pipe assembly	1	
13	Gasket	1	
14	Exhaust valve pipe assembly	1	
15	Exhaust valve pipe gasket	1	
16	Exhaust pipe assembly	1	
17	Exhaust pipe gasket	4	

ENGINE REMOVAL

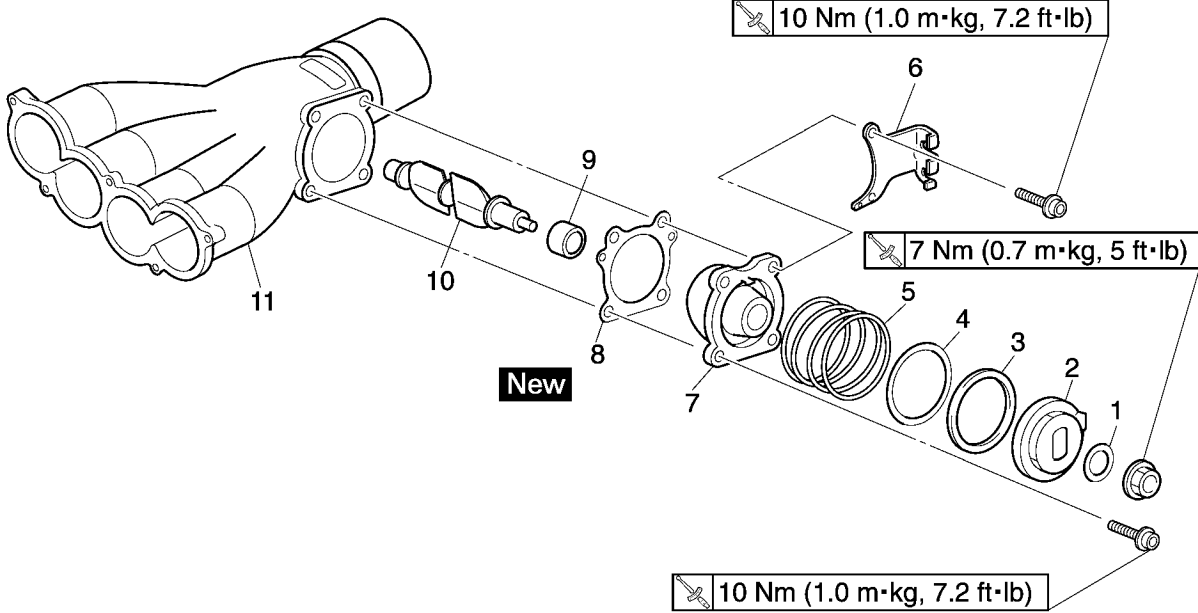
Removing the exhaust pipe



Order	Job/Parts to remove	Q'ty	Remarks
			For installation, reverse the removal procedure.

ENGINE REMOVAL

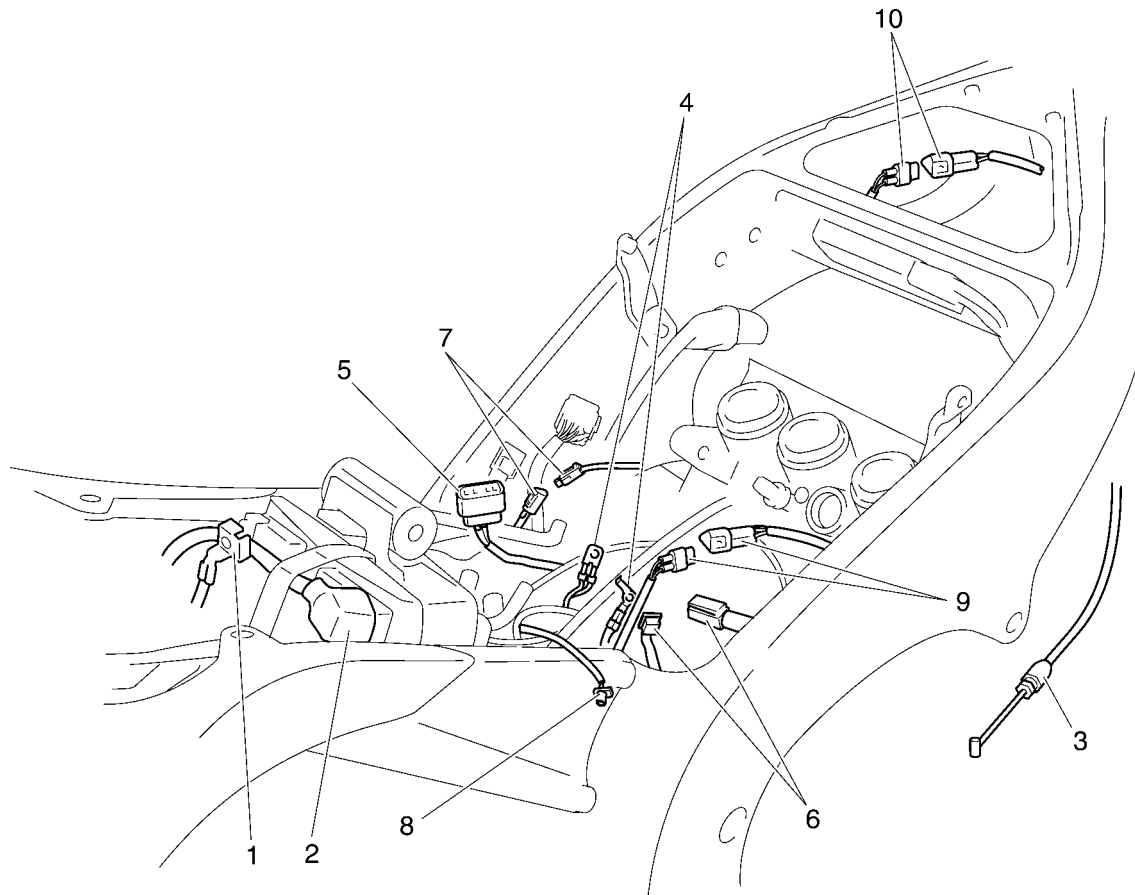
Disassembling the exhaust valve pipe



Order	Job/Parts to remove	Q'ty	Remarks
1	Washer	1	
2	Pulley	1	
3	Collar	1	
4	Plate	1	
5	Spring	1	
6	EXUP pulley bracket	1	
7	Housing	1	
8	Gasket	1	
9	Collar	1	
10	Shaft arm	1	
11	Exhaust valve pipe	1	
			For assembly, reverse the disassembly procedure.

ENGINE REMOVAL

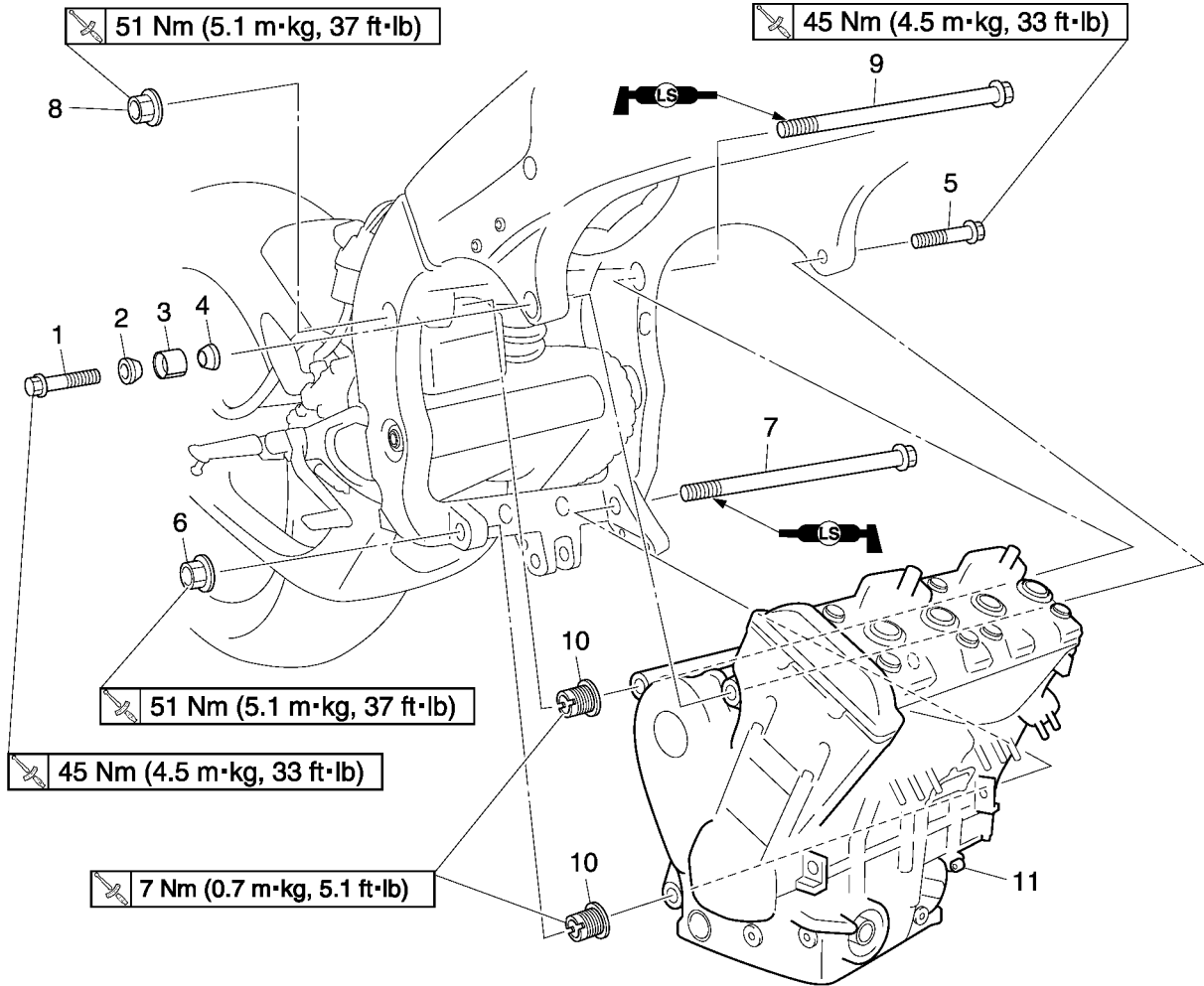
Disconnecting the leads and hoses



Order	Job/Parts to remove	Q'ty	Remarks
	Fuel tank		Refer to "FUEL TANK" on page 7-1.
	Air filter case		Refer to "GENERAL CHASSIS" on page 4-1.
	Throttle body		Refer to "THROTTLE BODIES" on page 7-4.
	Engine oil		Drain. Refer to "CHANGING THE ENGINE OIL" on page 3-11.
	Oil cooler		Refer to "OIL COOLER" on page 6-4.
	Air cut-off valve		Refer to "AIR INDUCTION SYSTEM" on page 7-9.
	Starter motor		Refer to "ELECTRIC STARTER" on page 5-39.
1	Battery negative lead	1	
2	Battery positive lead	1	
3	Clutch cable	1	
4	Engine ground lead	2	
5	Stator coil assembly coupler	1	Disconnect.
6	Crankshaft position sensor coupler	1	Disconnect.
7	Oil level switch connector	1	Disconnect.
8	Neutral switch connector	1	Disconnect.
9	Speed sensor coupler	1	Disconnect.
10	Cylinder identification sensor coupler	1	Disconnect.
			For installation, reverse the removal procedure.

ENGINE REMOVAL

Removing the engine



Order	Job/Parts to remove	Q'ty	Remarks
1	Engine mounting bolt (front right side)	1	
2	Engine mount collar (outer)	1	
3	Engine mount collar (center)	1	
4	Engine mount collar (inner)	1	
5	Engine mounting bolt (front left side)	1	
6	Locknut	1	
7	Engine mounting bolt (rear lower side)	1	
8	Locknut	1	
9	Engine mounting bolt (rear upper side)	1	
10	Engine mounting adjust bolt	2	
11	Engine	1	
			For installation, reverse the removal procedure.

ENGINE REMOVAL

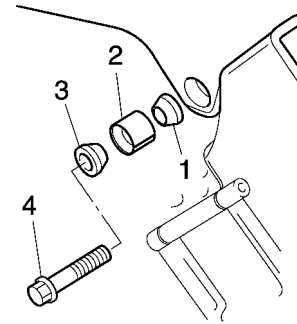
EAS23720

INSTALLING THE ENGINE

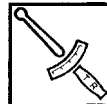
1. Install:
 - Engine mounting adjust bolts (temporary tighten)
2. Install:
 - Engine
3. Install:
 - Engine mounting bolt (rear lower side) "1"
 - Engine mounting bolt (rear upper side) "2"
 - Locknuts

NOTE:

Lubricate the lower and upper engine mounting bolts threads with lithium-soap-based grease.



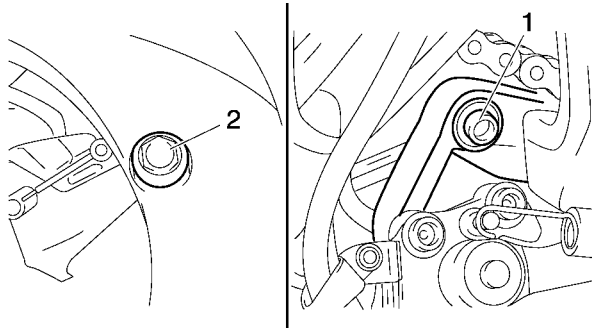
6. Tighten:
 - Engine mounting adjust bolts



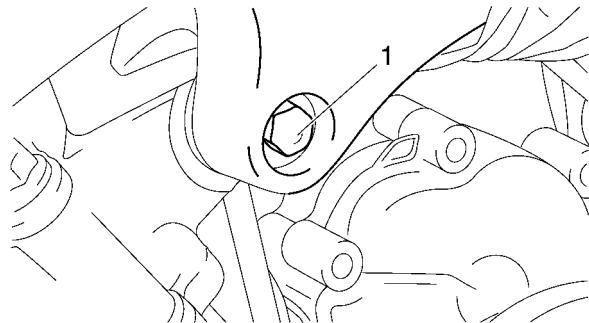
Engine mounting adjust bolt
7 Nm (0.7 m·kg, 5.1 ft·lb)

NOTE:

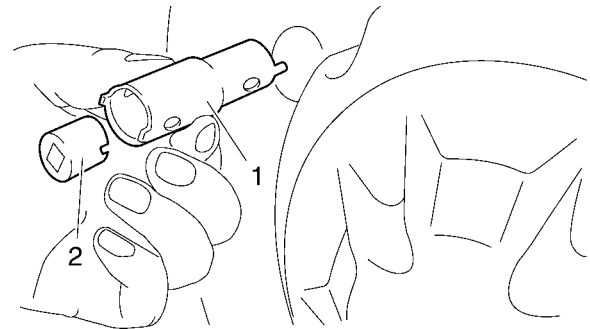
Use the pivot shaft wrench "1" and pivot shaft wrench adapter "2" to tighten the engine mounting adjust bolts.



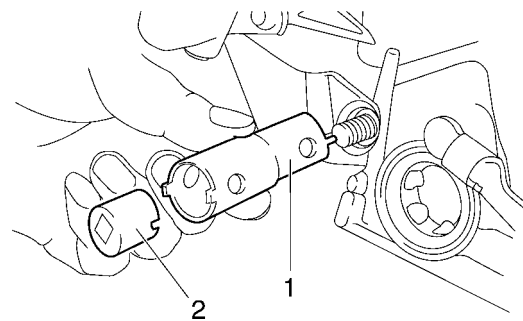
4. Install:
 - Engine mount bolt (front left side) "1" (temporary tighten)



5. Install:
 - Engine mount collar (inner) "1"
 - Engine mount collar (center) "2"
 - Engine mount collar (outer) "3"
 - Right front engine mount bolt "4" (temporary tighten)



Pivot shaft wrench
90890-01471
Frame spanner socket
YM-01471
Pivot shaft wrench adapter
90890-01476



7. Tighten:
 - Upper locknut "1"
 - Lower locknut "2"

ENGINE REMOVAL

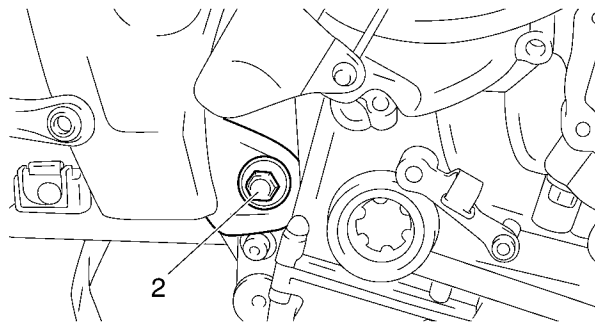
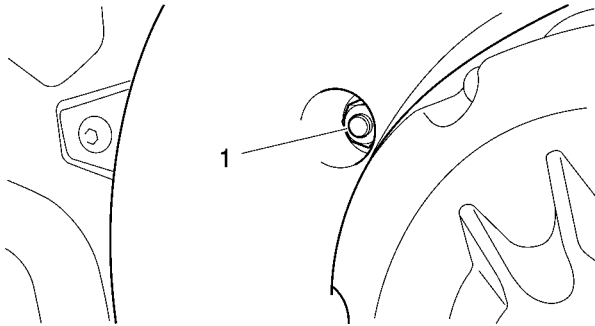
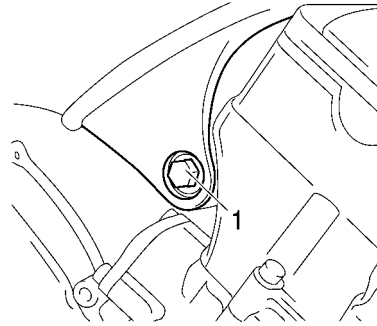


Upper locknut
51 Nm (5.1 m·kg, 37 ft·lb)
Lower locknut
51 Nm (5.1 m·kg, 37 ft·lb)



Engine mounting bolt (front right side)
45 Nm (4.5 m·kg, 33 ft·lb)

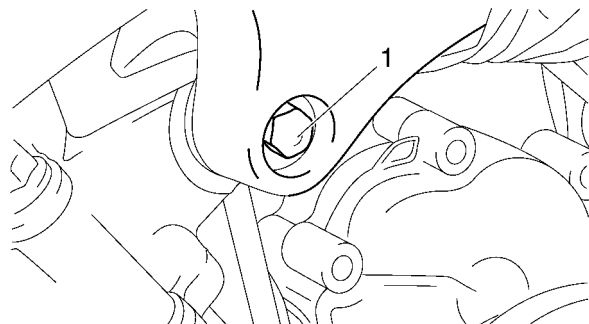
NOTE:
First tighten the lower locknut, and then tighten the upper locknut.



8. Tighten:
- Left front engine mounting bolt "1"



Engine mounting bolt (front left side)
45 Nm (4.5 m·kg, 33 ft·lb)

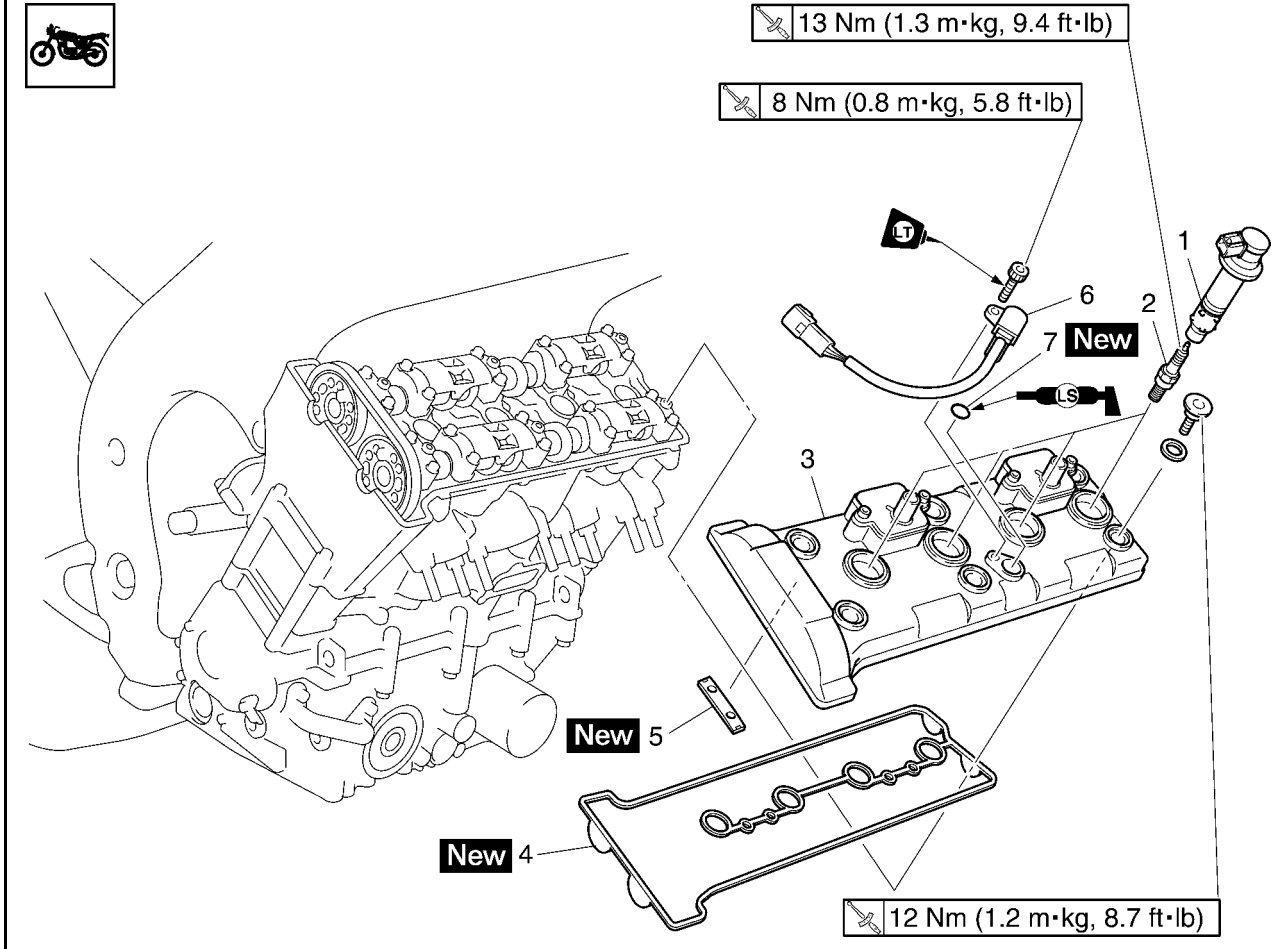


9. Tighten:
- Right front engine mounting bolt "1"

EAS23760

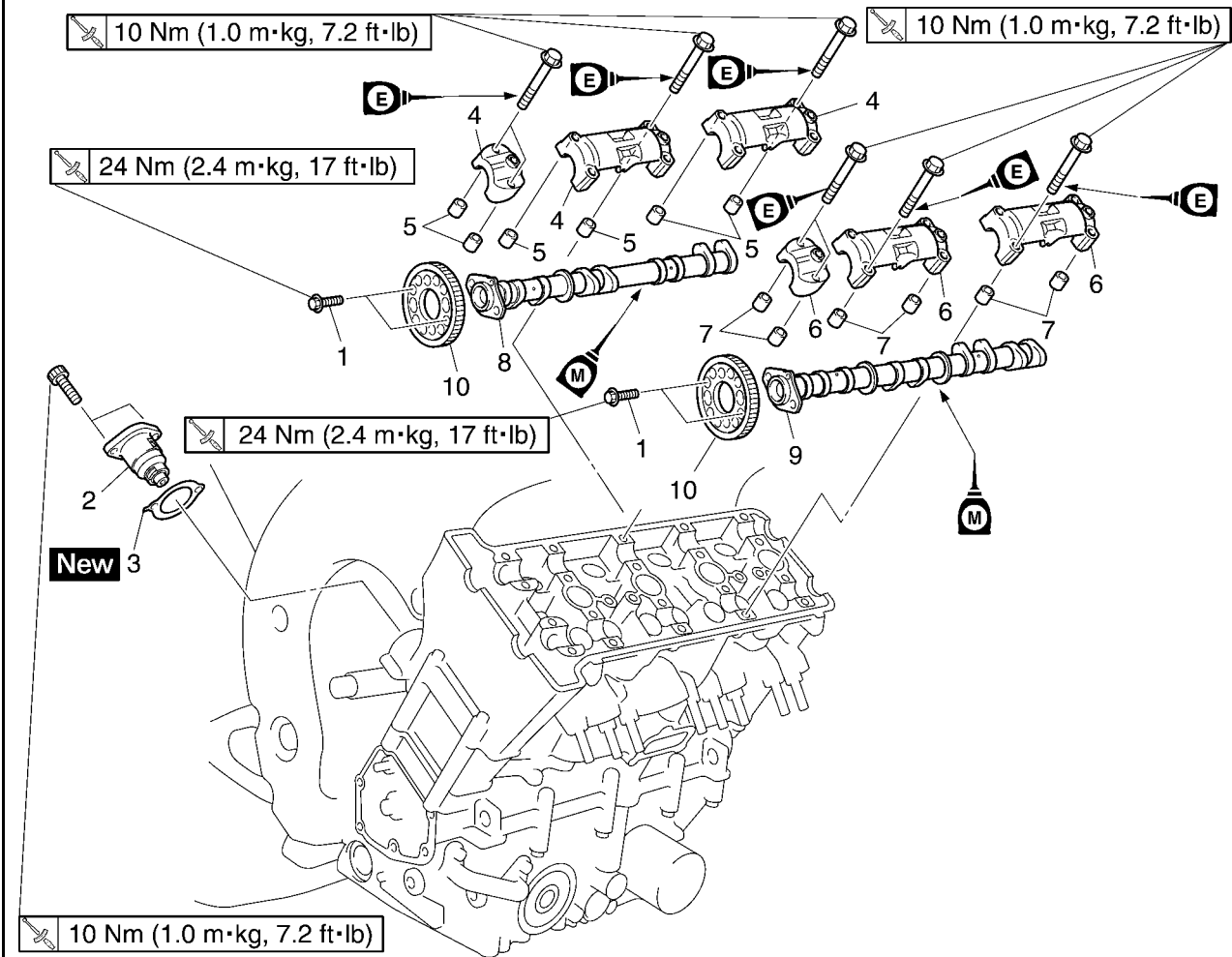
CAMSHAFTS

Removing the cylinder head cover

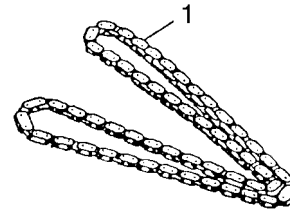
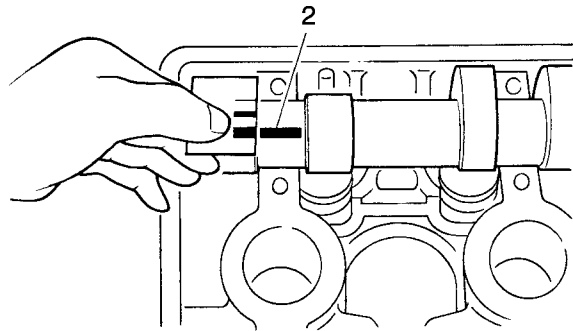
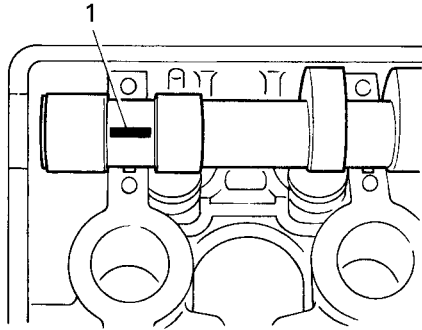


Order	Job/Parts to remove	Q'ty	Remarks
	Fuel tank		Refer to "FUEL TANK" on page 7-1.
	Side cowlings		Refer to "GENERAL CHASSIS" on page 4-1.
	Lower cowlings		Refer to "GENERAL CHASSIS" on page 4-1.
	Throttle body		Refer to "THROTTLE BODIES" on page 7-4.
	Radiator assembly		Refer to "RADIATOR" on page 6-1.
	Air cut-off valve		Refer to "AIR INDUCTION SYSTEM" on page 7-9.
1	Ignition coil	4	
2	Spark plug	4	
3	Cylinder head cover	1	
4	Cylinder head cover gasket	1	
5	Timing chain guide (top side)	1	
6	Cylinder identification sensor	1	
7	O-ring	1	
			For installation, reverse the removal procedure.

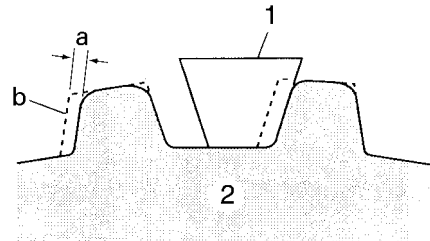
Removing the camshafts



Order	Job/Parts to remove	Q'ty	Remarks
	Pickup rotor cover		Refer to "CRANKSHAFT POSITION SENSOR" on page 5-37.
1	Camshaft sprocket bolt	4	Loosen.
2	Timing chain tensioner	1	
3	Timing chain tensioner gasket	1	
4	Intake camshaft cap	3	
5	Dowel pin	6	
6	Exhaust camshaft cap	3	
7	Dowel pin	6	
8	Intake camshaft	1	
9	Exhaust camshaft	1	
10	Camshaft sprocket	2	
			For installation, reverse the removal procedure.



2. Check:
 - Camshaft sprocket
More than 1/4 tooth wear "a" → Replace the camshaft sprocket and the timing chain as a set.

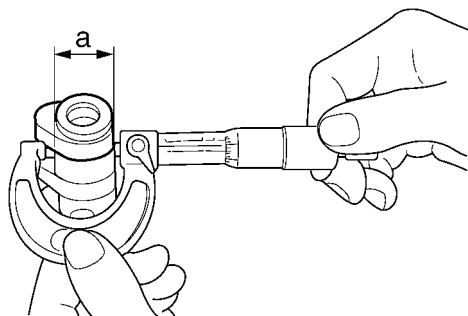


- a. 1/4 tooth
 - b. Correct
1. Timing chain roller
 2. Camshaft sprocket



5. Measure:
 - Camshaft journal diameter "a"
Out of specification → Replace the camshaft.
Within specification → Replace the cylinder head and the camshaft caps as a set.

	<p>Camshaft journal diameter 24.459–24.472 mm (0.9630–0.9635 in)</p>
---	---

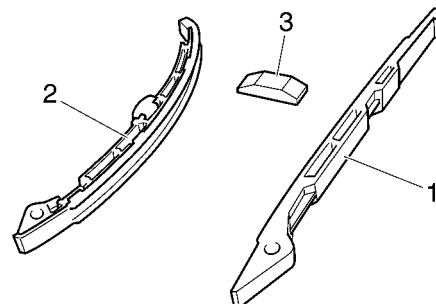


EAS23870
CHECKING THE TIMING CHAIN AND CAMSHAFT SPROCKET

1. Check:
 - Timing chain "1"
Damage/stiffness → Replace the timing chain and camshaft and camshaft sprocket as a set.

EAS23950
CHECKING THE TIMING CHAIN GUIDES
The following procedure applies to all of the camshaft sprockets and timing chain guides.

1. Check:
 - Timing chain guide (exhaust side) "1"
 - Timing chain guide (intake side) "2"
 - Timing chain guide (top side) "3"
 Damage/wear → Replace the defective part(s).



EAS23960
CHECKING THE TIMING CHAIN TENSIONER

1. Remove:
 - Timing chain tensioner housing "1"
 - Timing chain tensioner rod "2"
 - Timing chain tensioner spring "3"

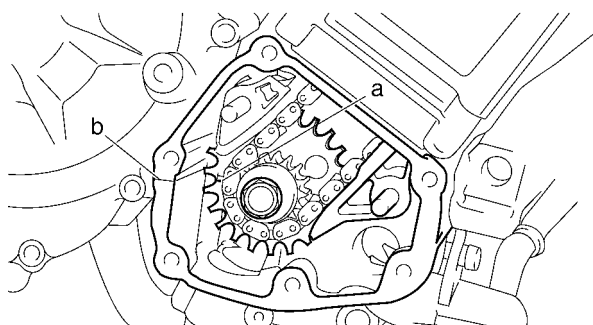
EAS24000

INSTALLING THE CAMSHAFTS

1. Align:
 - “T” mark “a” on the pickup rotor
(with the crankcase mating surface “b”)

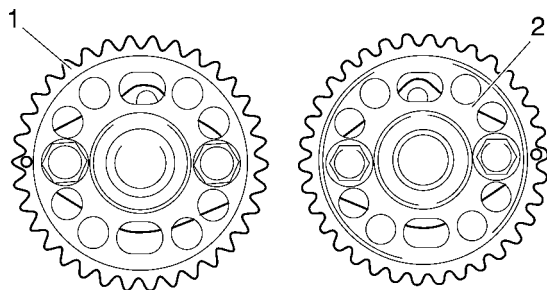


- a. Turn the crankshaft clockwise.
- b. When position #1 is at TDC, align the “T” mark “a” with the crankcase mating surface “b”.



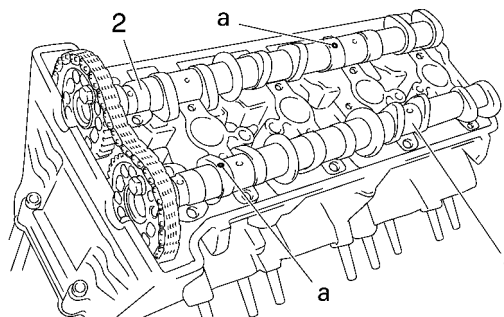
2. Install:
 - Intake camshaft sprocket “1”
 - Exhaust camshaft sprocket “2”
(with the camshaft sprockets temporarily tightened)

NOTE:
Install the camshaft sprockets as a illustration.



3. Install:
 - Exhaust camshaft “1”
 - Intake camshafts “2”
(with the camshaft sprockets temporarily tightened)

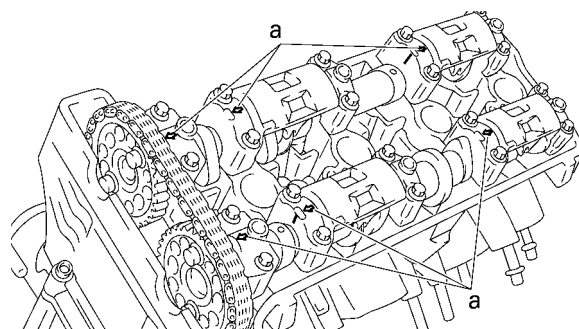
NOTE:
Make sure the punch mark “a” on each camshaft faces up.



4. Install:
 - Dowel pins
 - Intake camshaft caps
 - Exhaust camshaft caps

NOTE:

- Make sure each camshaft cap is installed in its original place. Refer to the identification marks as follows:
 - “I”: Intake side camshaft cap mark
 - “E”: Exhaust side camshaft cap mark
 - “IL”: Intake left side camshaft cap mark
 - “IR”: Intake right side camshaft cap mark
 - “EL”: Exhaust left side camshaft cap mark
 - “ER”: Exhaust right side camshaft cap mark
- Make sure the arrow mark “a” on each camshaft points towards the right side of the engine.



5. Install:
 - Camshaft cap bolts

	Camshaft cap bolt 10 Nm (1.0 m·kg, 7.2 ft·lb)
---	--

NOTE:
Tighten the camshaft cap bolts in stages and in a crisscross pattern, working from the inner caps out.

ECA4C81004

CAUTION:

- Lubricate the camshaft cap bolts with the engine oil.
- The camshaft cap bolts must be tightened evenly or damage to the cylinder head, camshaft caps, and camshafts will result.
- Do not turn the crankshaft when installing the camshaft to avoid damage or improper valve timing.

6. Tighten:

- Camshaft sprocket bolts "1"



Camshaft sprocket bolt
24 Nm (2.4 m·kg, 17 ft·lb)

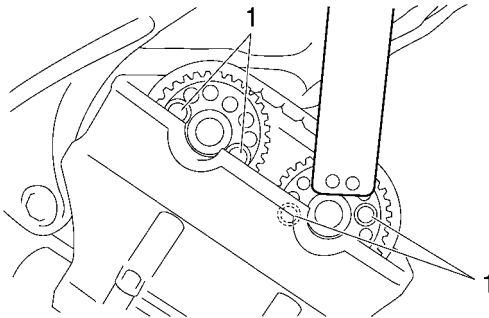


Camshaft wrench
90890-04143
YM-04143

ECA4C81005

CAUTION:

Be sure to tighten the camshaft sprocket bolts to the specified torque to avoid the possibility of the bolts coming loose and damaging the engine.

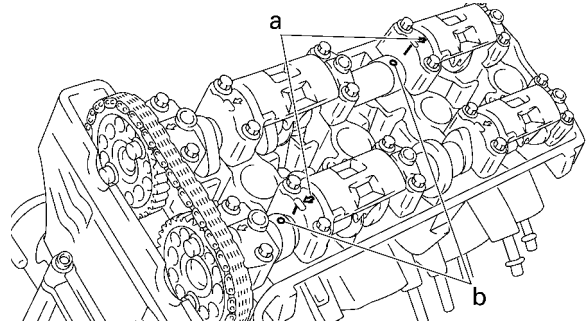


7. Align:

- Camshaft punch mark "a"
Align the camshaft punch mark "a" and the camshaft cap arrow mark "b".

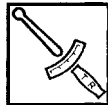


Camshaft wrench
90890-04143
YM-04143



8. Install:

- Gasket **New**
- Timing chain tensioner "1"
- Timing chain tensioner bolts "2"



Timing chain tensioner bolt
10 Nm (1.0 m·kg, 7.2 ft·lb)

ECA4C81006

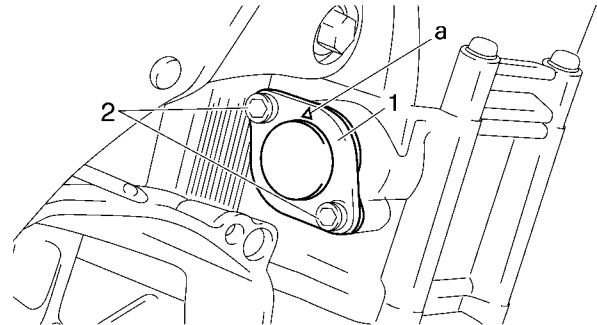
CAUTION:

The arrow mark "a" on the timing chain tensioner should face up.

EWA4C81004

WARNING

Always use a new gasket.

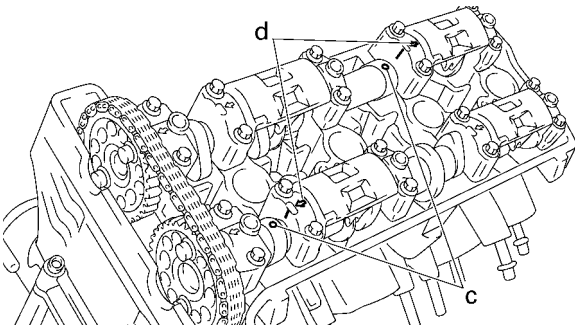
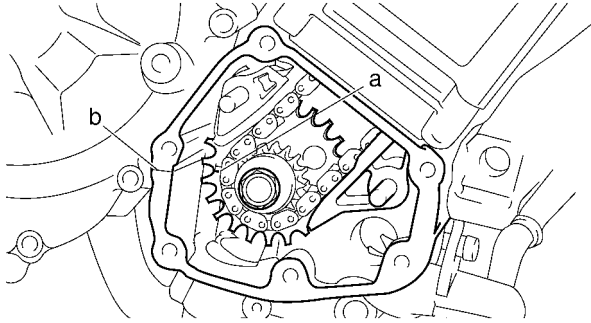


9. Turn:

- Crankshaft
(several turns clockwise)

10. Check:

- "T" mark "a"
Make sure the "T" mark on the pickup rotor is aligned with the crankcase mating surface "b".
- Camshaft punch mark "c"
Make sure the punch mark "c" on the camshaft is aligned with the camshaft cap arrow mark "d".
Out of alignment → Adjust.
Refer to the installation steps above.



11. Measure:

- Valve clearance
Out of specification → Adjust.
Refer to "ADJUSTING THE VALVE
CLEARANCE" on page 3-4.

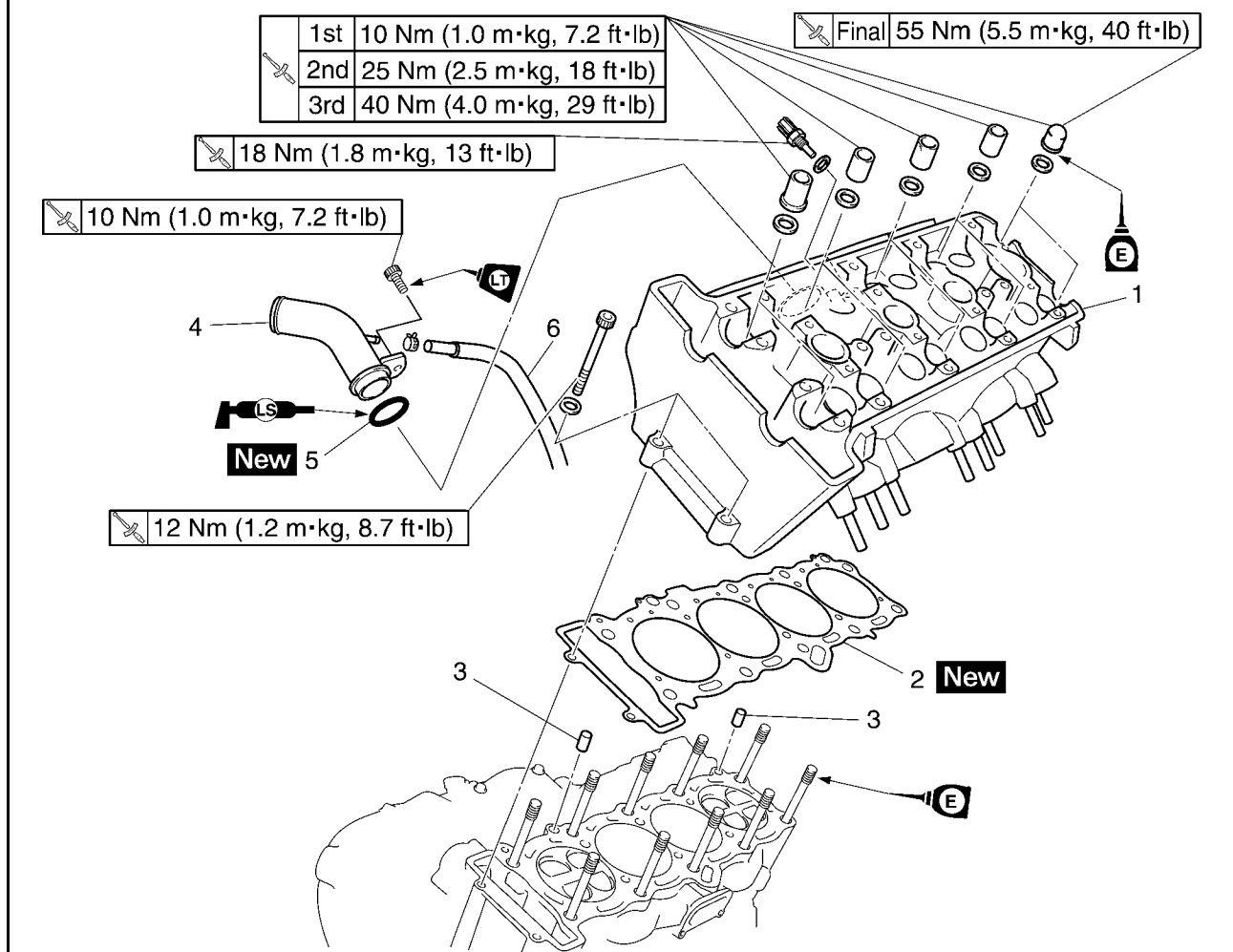
12. Install:

- Pickup coil rotor cover
"CRANKSHAFT POSITION SENSOR" on
page 5-37.

EAS24100

CYLINDER HEAD

Removing the cylinder head



Order	Job/Parts to remove	Q'ty	Remarks
	Engine		Refer to "ENGINE REMOVAL" on page 5-1.
	Intake camshaft		Refer to "CAMSHAFTS" on page 5-9.
	Exhaust camshaft		Refer to "CAMSHAFTS" on page 5-9.
1	Cylinder head	1	
2	Cylinder head gasket	1	
3	Dowel pin	2	
4	Coolant pipe	1	
5	O-ring	1	
6	Water pump breather hose	1	
			For installation, reverse the removal procedure.

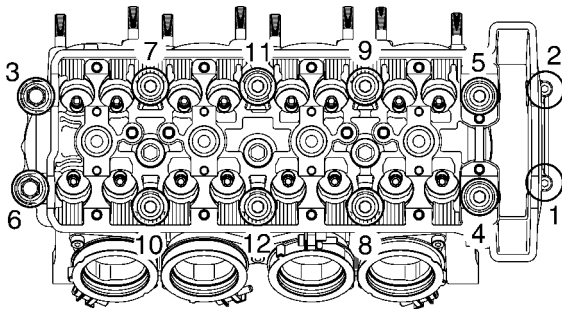
EAS24120

REMOVING THE CYLINDER HEAD

1. Remove:
 - Intake camshaft
 - Exhaust camshaft
 Refer to "REMOVING THE CAMSHAFTS" on page 5-11.
2. Remove:
 - Cylinder head nuts
 - Cylinder head bolts

NOTE:

- Loosen the nuts in the proper sequence as shown.
- Loosen each nut 1/2 of a turn at a time. After all of the nuts are fully loosened, remove them.



EAS24160

CHECKING THE CYLINDER HEAD

1. Eliminate:
 - Combustion chamber carbon deposits (with a rounded scraper)

NOTE:

Do not use a sharp instrument to avoid damaging or scratching:

- Spark plug bore threads
- Valve seats

2. Check:

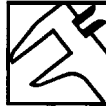
- Cylinder head
- Damage/scratches → Replace.

NOTE:

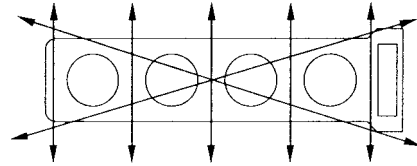
Replace the titanium valves with the cylinder head.

Refer to "CHECKING THE VALVE SEATS" on page 5-25.

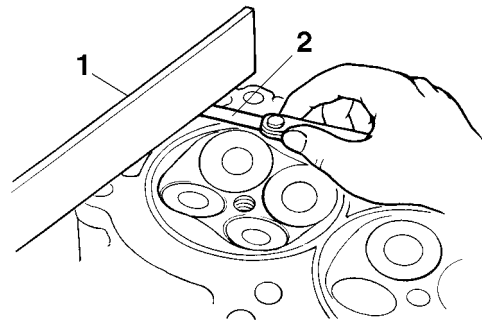
- Cylinder head water jacket
- Mineral deposits/rust → Eliminate.
3. Measure:
 - Cylinder head warpage
 Out of specification → Resurface the cylinder head.



Warpage limit
0.10 mm (0.0039 in)



- a. Place a straightedge "1" and a thickness gauge "2" across the cylinder head.



- b. Measure the warpage.
- c. If the limit is exceeded, resurface the cylinder head as follows.
- d. Place a 400–600 grit wet sandpaper on the surface plate and resurface the cylinder head using a figure-eight sanding pattern.

NOTE:

To ensure an even surface, rotate the cylinder head several times.



EAS24240

INSTALLING THE CYLINDER HEAD

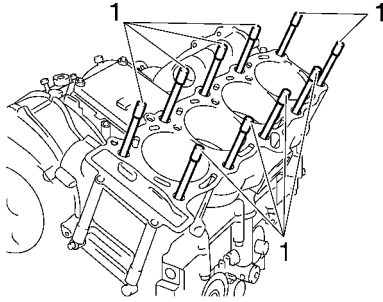
1. Check:
 - Cylinder head bolts "1"



Cylinder head bolt
8 Nm (0.8 m·kg, 5.8 ft·lb)

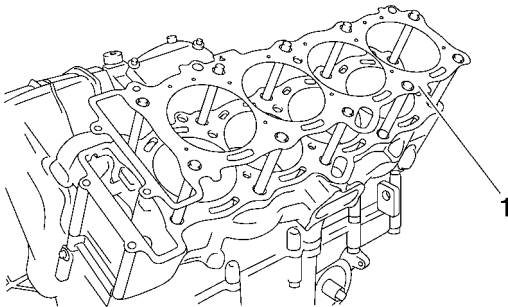
NOTE:

Retighten the cylinder head bolts to specification, before installing the cylinder head.



2. Install:

- Gasket "1" **New**
- Dowel pins



3. Install:

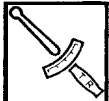
- Cylinder head

NOTE:

Pass the timing chain through the timing chain cavity.

4. Tighten:

- Cylinder head nuts "1" – "10"



Cylinder head nut (1st)
10 Nm (1.0 m·kg, 7.2 ft·lb)



Cylinder head nut (2nd)
25 Nm (2.5 m·kg, 18 ft·lb)



Cylinder head nut (3rd)
40 Nm (4.0 m·kg, 29 ft·lb)

- Cylinder head nuts "7" "10"



Cylinder head nut (final)
55 Nm (5.5 m·kg, 40 ft·lb)

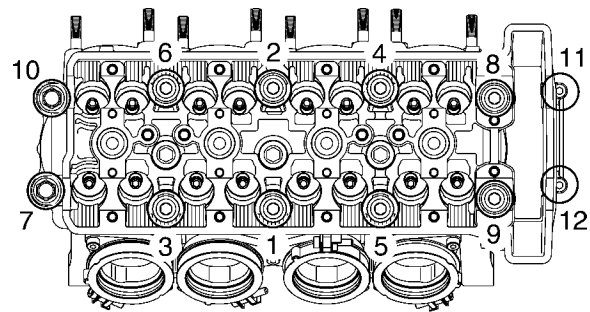
- Cylinder head bolts "11" "12"



Cylinder head bolt
12 Nm (1.2 m·kg, 8.7 ft·lb)

NOTE:

- First, tighten the nuts "1" – "10" to approximately 10 Nm (1.0 m·kg, 7.2 ft·lb) with a torque wrench, and then tighten the 25 Nm (2.5 m·kg, 18 ft·lb).
- Retighten the nuts "1" – "10" to 40 Nm (4.0 m·kg, 29 ft·lb) with a torque wrench.
- Final, tighten the nuts "7", "10" to 55 Nm (5.5 m·kg, 40 ft·lb) with a torque wrench.
- Lubricate the cylinder head nuts with engine oil.
- Tighten the cylinder head nuts in the proper tightening sequence as shown and torque them in four stages.



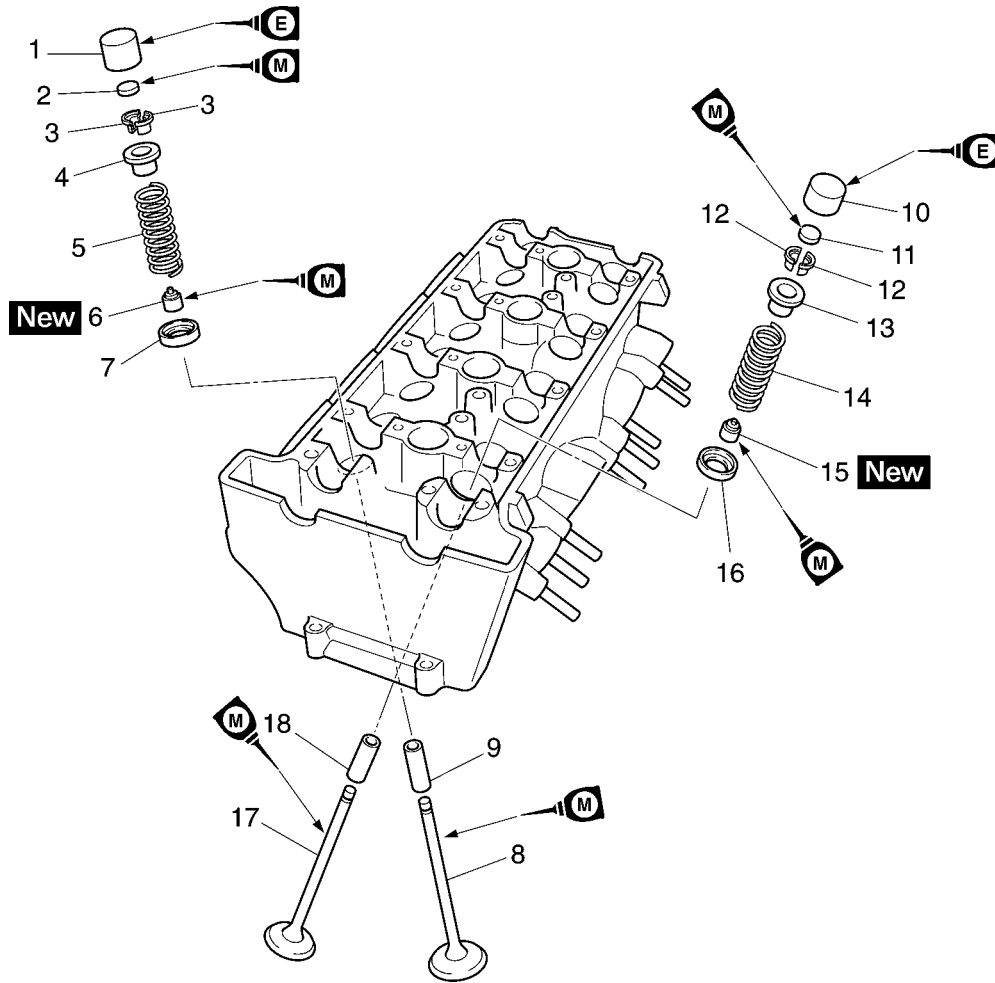
5. Install:

- Exhaust camshaft
 - Intake camshaft
- Refer to "INSTALLING THE CAMSHAFTS" on page 5-15.

EAS24270

VALVES AND VALVE SPRINGS

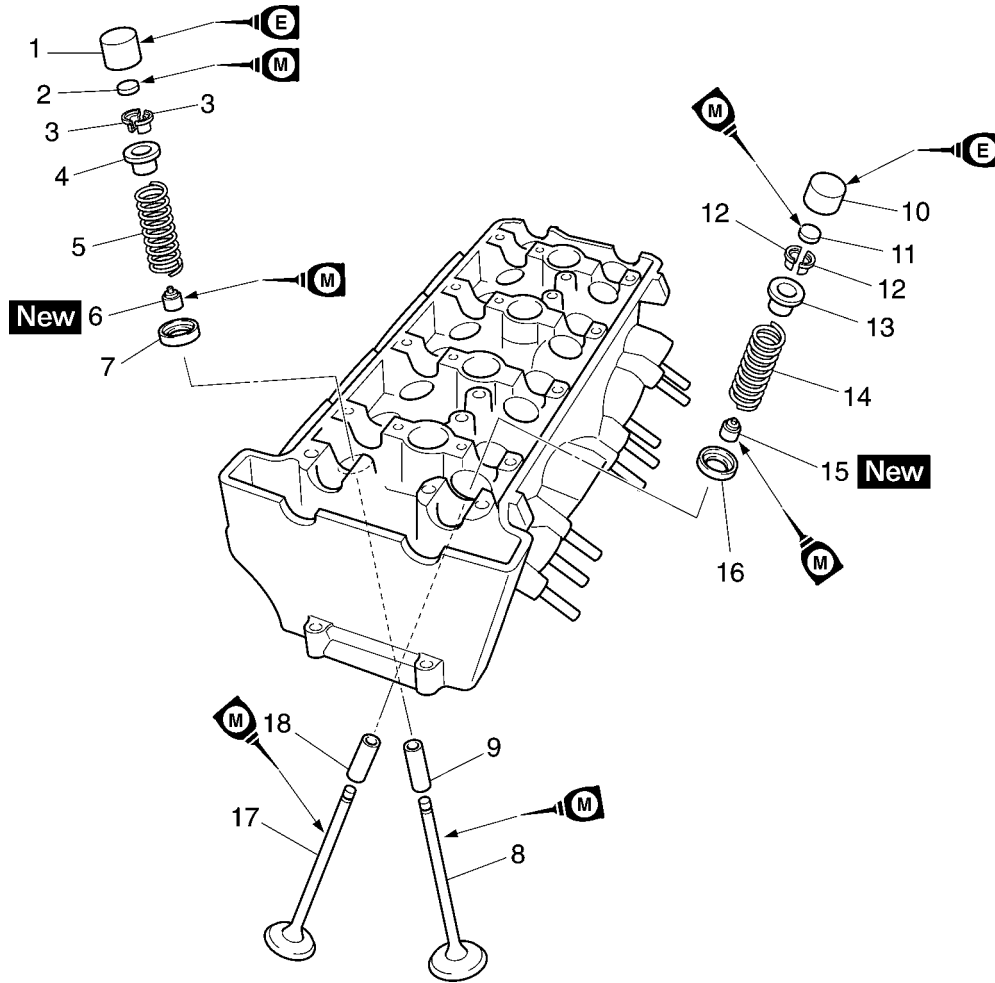
Removing the valves and valve springs



Order	Job/Parts to remove	Q'ty	Remarks
	Cylinder head		Refer to "CYLINDER HEAD" on page 5-18.
1	Intake valve lifter	8	
2	Intake valve pad	8	
3	Intake valve cotter	16	
4	Intake valve upper spring seat	8	
5	Intake valve spring	8	
6	Intake valve oil seal	8	
7	Intake valve lower spring seat	8	
8	Intake valve	8	
9	Intake valve guide	8	
10	Exhaust valve lifter	8	
11	Exhaust valve pad	8	
12	Exhaust valve cotter	16	
13	Exhaust valve upper spring seat	8	
14	Exhaust valve spring	8	
15	Exhaust valve oil seal	8	
16	Exhaust valve lower spring seat	8	
17	Exhaust valve	8	
18	Exhaust valve guide	8	

VALVES AND VALVE SPRINGS

Removing the valves and valve springs



Order	Job/Parts to remove	Q'ty	Remarks
			For installation, reverse the removal procedure.

VALVES AND VALVE SPRINGS

EAS24280

REMOVING THE VALVES

The following procedure applies to all of the valves and related components.

NOTE:

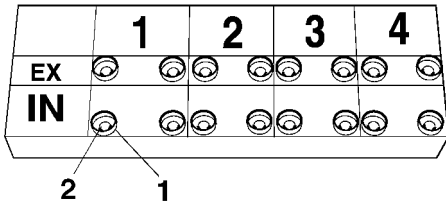
Before removing the internal parts of the cylinder head (e.g., valves, valve springs, valve seats), make sure the valves properly seal.

1. Remove:

- Valve lifter "1"
- Valve pad "2"

NOTE:

Make a note of the position of each valve lifter and valve pad so that they can be reinstalled in their original place.



2. Check:

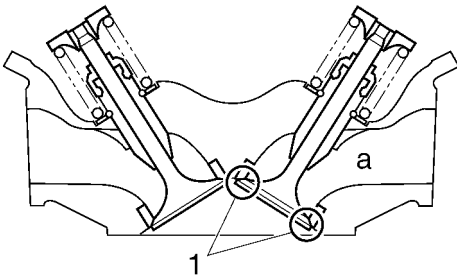
- Valve sealing
Leakage at the valve seat → Check the valve face, valve seat, and valve seat width. Refer to "CHECKING THE VALVE SEATS" on page 5-25.



- Pour a clean solvent "a" into the intake and exhaust ports.
- Check that the valves properly seal.

NOTE:

There should be no leakage at the valve seat "1".



3. Remove:

- Valve cotters "1"

NOTE:

Remove the valve cotters by compressing the valve spring with the valve spring compressor "2" and the valve spring compressor attachment "3".



Valve spring compressor

90890-04019

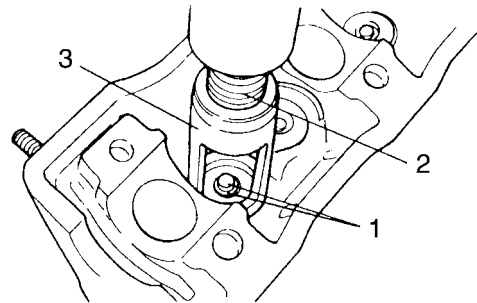
YM-04019

Valve spring compressor attachment

90890-04108

Valve spring compressor adapter 22 mm

YM-04108

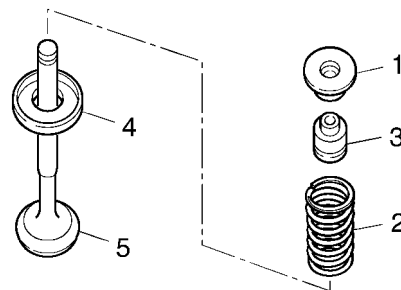


4. Remove:

- Upper spring seat "1"
- Valve spring "2"
- Valve stem seal "3"
- Lower spring seat "4"
- Valve "5"

NOTE:

Identify the position of each part very carefully so that it can be reinstalled in its original place.



11171203

EAS24290

CHECKING THE VALVES AND VALVE GUIDES

The following procedure applies to all of the valves and valve guides.

1. Measure:

- Valve-stem-to-valve-guide clearance
Out of specification → Replace the valve guide.

• Valve-stem-to-valve-guide clearance =
Valve guide inside diameter "a" -
Valve stem diameter "b"



Valve-stem-to-valve-guide clearance

Valve-stem-to-valve-guide clearance (intake)

0.010–0.037 mm (0.0004–0.0015 in)

Limit

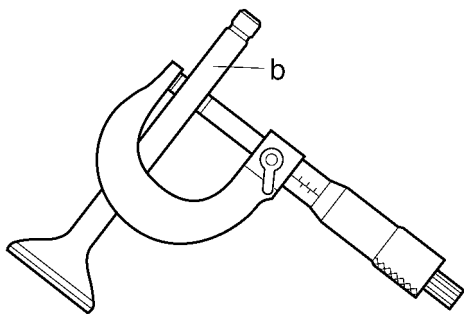
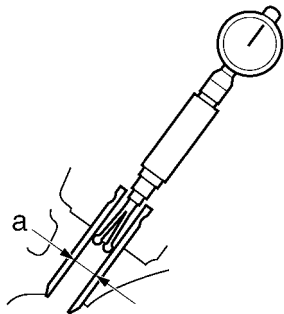
0.080 mm (0.0032 in)

Valve-stem-to-valve-guide clearance (exhaust)

0.025–0.052 mm (0.0010–0.0020 in)

Limit

0.100 mm (0.0039 in)



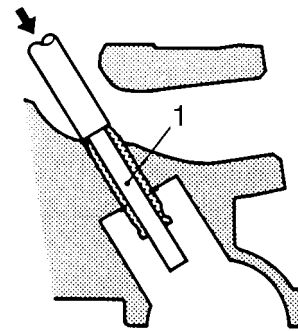
2. Replace:
- Valve guide

NOTE:

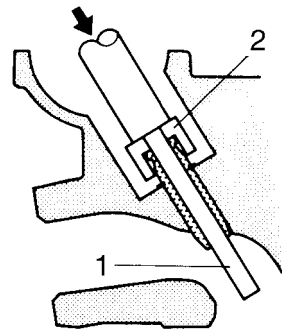
To ease valve guide removal and installation, and to maintain the correct fit, heat the cylinder head to 100°C (212°F) in an oven.



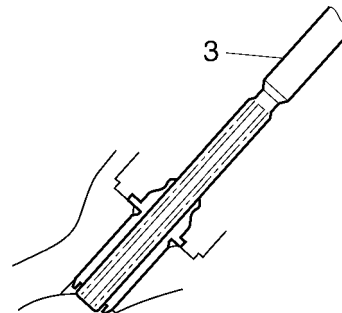
- a. Remove the valve guide with the valve guide remover "1".



- b. Install the new valve guide with the valve guide installer "2" and valve guide remover "1".



- c. After installing the valve guide, bore the valve guide with the valve guide reamer "3" to obtain the proper valve-stem-to-valve-guide clearance.



NOTE:

After replacing the valve guide, reface the valve seat.



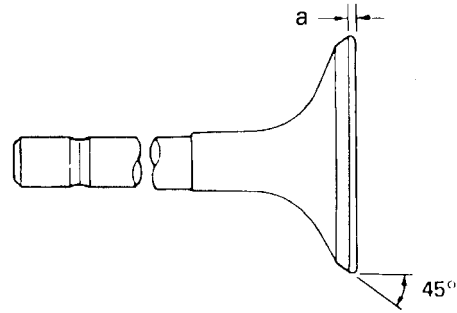
- Valve guide remover (ø4.5)
90890-04116
- Valve guide remover (4.5 mm)
YM-04116
- Valve guide remover (ø5)
90890-04097
- Valve guide remover (5.0 mm)
YM-04097
- Valve guide installer (ø4.5)
90890-04117
- Valve guide installer (4.5 mm)
YM-04117
- Valve guide installer (ø5)
90890-04098
- Valve guide installer (5.0 mm)
YM-04098
- Valve guide reamer (ø4.5)
90890-04118
- Valve guide reamer (4.5 mm)
YM-04118
- Valve guide reamer (ø5)
90890-04099
- Valve guide reamer (5.0 mm)
YM-04099



3. Eliminate:
 - Carbon deposits
(from the valve face and valve seat)
4. Check:
 - Valve face
Pitting/wear → Grind the valve face.
 - Valve stem end
Mushroom shape or diameter larger than the body of the valve stem → Replace the valve.
5. Measure:
 - Valve margin thickness “a”
Out of specification → Replace the valve.



- Valve margin thickness**
- Valve margin thickness D (intake)**
1.10–1.50 mm (0.0433–0.0591 in)
- Valve margin thickness D (exhaust)**
0.50–0.90 mm (0.0197–0.0354 in)

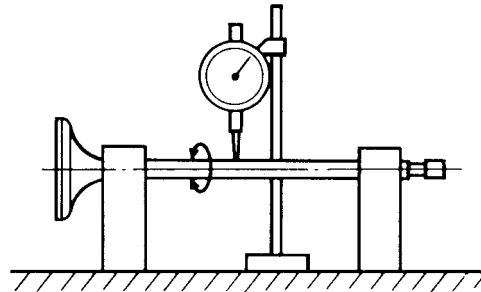


6. Measure:
 - Valve stem runout
Out of specification → Replace the valve.

- NOTE:**
- When installing a new valve, always replace the valve guide.
 - If the valve is removed or replaced, always replace the oil seal.



Valve stem runout
0.010 mm (0.0004 in)

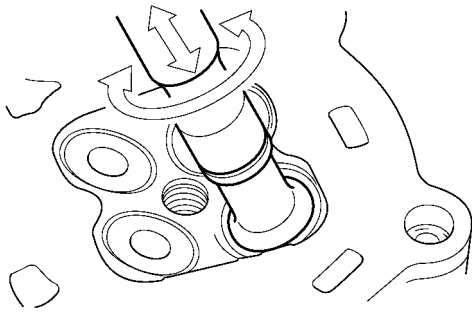


EAS24300

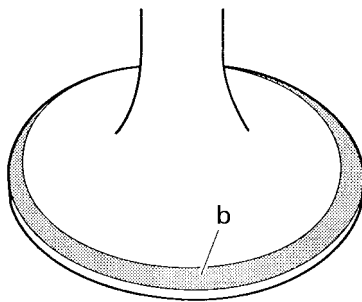
CHECKING THE VALVE SEATS

The following procedure applies to all of the valves and valve seats.

1. Eliminate:
 - Carbon deposits
(from the valve face and valve seat)
2. Check:
 - Valve seat
Pitting/wear → Replace the cylinder head.
3. Measure:
 - Valve seat width “a”
Out of specification → Replace the cylinder head.

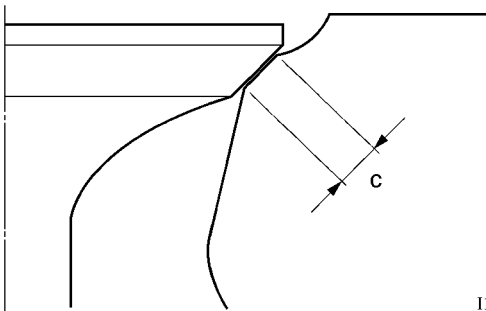


- e. Apply a fine lapping compound to the valve face and repeat the above steps.
- f. After every lapping procedure, be sure to clean off all of the lapping compound from the valve face and valve seat.
- g. Apply Mechanic's blueing dye (Dykem) "b" onto the valve face.



11171601

- h. Install the valve into the cylinder head.
- i. Press the valve through the valve guide and onto the valve seat to make a clear impression.
- j. Measure the valve seat width "c" again. If the valve seat width is out of specification, reface and lap the valve seat.



11171603

EAS24310

CHECKING THE VALVE SPRINGS

The following procedure applies to all of the valve springs.

1. Measure:
 - Valve spring free length "a"
 - Out of specification → Replace the valve spring.



Valve spring free length

Free length (intake)

39.79 mm (1.57 in)

Limit

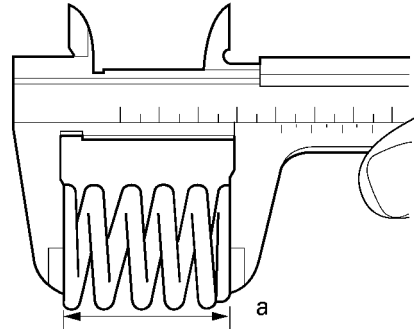
37.80 mm (1.49 in)

Free length (exhaust)

38.42 mm (1.51 in)

Limit

36.50 mm (1.44 in)



11171902

2. Measure:

- Compressed valve spring force "a"
- Out of specification → Replace the valve spring.



Installed compression spring force (intake)

171–197 N (38.44–44.29 lbf)

(17.44–20.09 kgf) at 35.50 mm

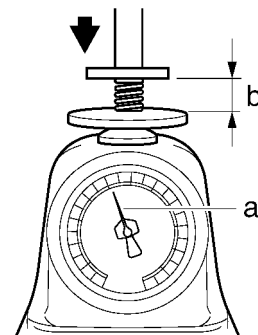
(1.398 in)

Installed compression spring force (exhaust)

202–232 N (45.41–52.15 lbf)

(20.60–23.66 kgf) at 33.00 mm

(1.299 in)



b. Installed length

3. Measure:

- Valve spring tilt "a"
- Out of specification → Replace the valve spring.

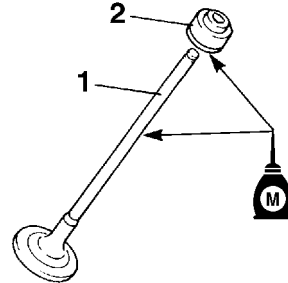
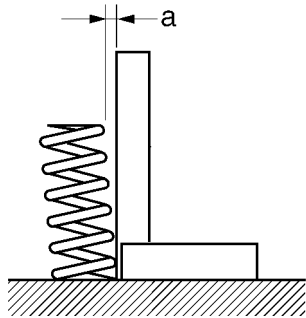


Spring tilt limit
Spring tilt (intake)
 2.5 °/1.7 mm
Spring tilt (exhaust)
 2.5 °/1.7 mm

- Valve stem seal “2”
 (with the recommended lubricant)



Recommended lubricant
Molybdenum disulfide oil

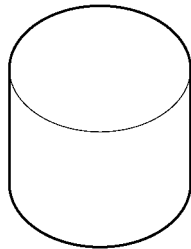


EAS24320

CHECKING THE VALVE LIFTERS

The following procedure applies to all of the valve lifters.

1. Check:
 - Valve lifter
 Damage/scratches → Replace the valve lifters and cylinder head.



3. Install:
 - Valve “1”
 - Lower spring seat “2”
 - Valve stem seal “3”
 - Valve spring “4”
 - Upper spring seat “5”
 (into the cylinder head)

NOTE:

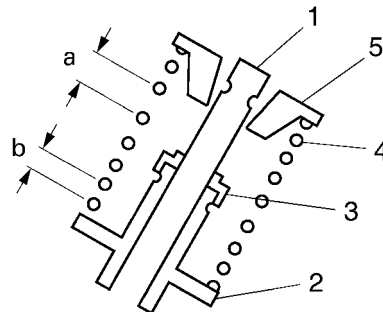
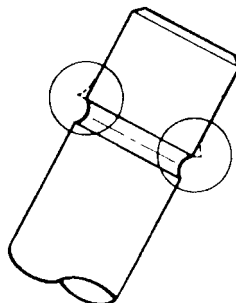
- Make sure each valve is installed in its original place. Refer to the following embossed marks.
 Intake valve: Pink paint mark
 Exhaust valve: “4C8”
- Install the valve springs with the larger pitch “a” facing up.

EAS24340

INSTALLING THE VALVES

The following procedure applies to all of the valves and related components.

1. Deburr:
 - Valve stem end
 (with an oil stone)



11172001

- b. Smaller pitch
4. Install:
 - Valve cotters “1”

NOTE:

Install the valve cotters by compressing the valve spring with the valve spring compressor “2” and the valve spring compressor attachment “3”.

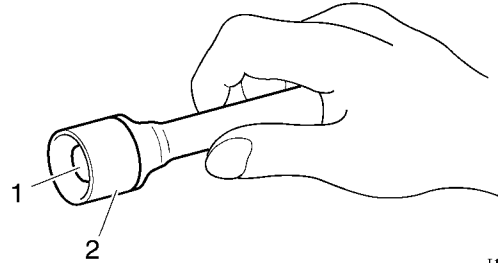
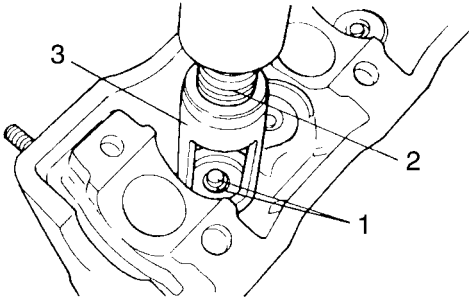
2. Lubricate:
 - Valve stem “1”



Valve spring compressor
90890-04019
YM-04019
Valve spring compressor attachment
90890-04108
Valve spring compressor adapter 22 mm
YM-04108

NOTE:

- The valve lifter must move smoothly when rotated with a finger.
- Each valve lifter and valve pad must be reinstalled in its original position.



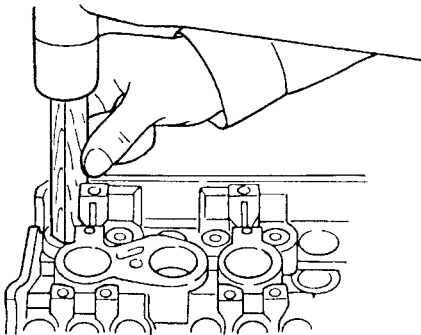
11171102

5. To secure the valve cotters "1" onto the valve stem, lightly tap the valve tip with a soft-face hammer.

ECA13800

CAUTION:

Hitting the valve tip with excessive force could damage the valve.



6. Lubricate:

- Valve pad "1"
 - Valve lifter "2"
- (with the recommended lubricant)



Recommended lubricant
Molybdenum disulfide oil

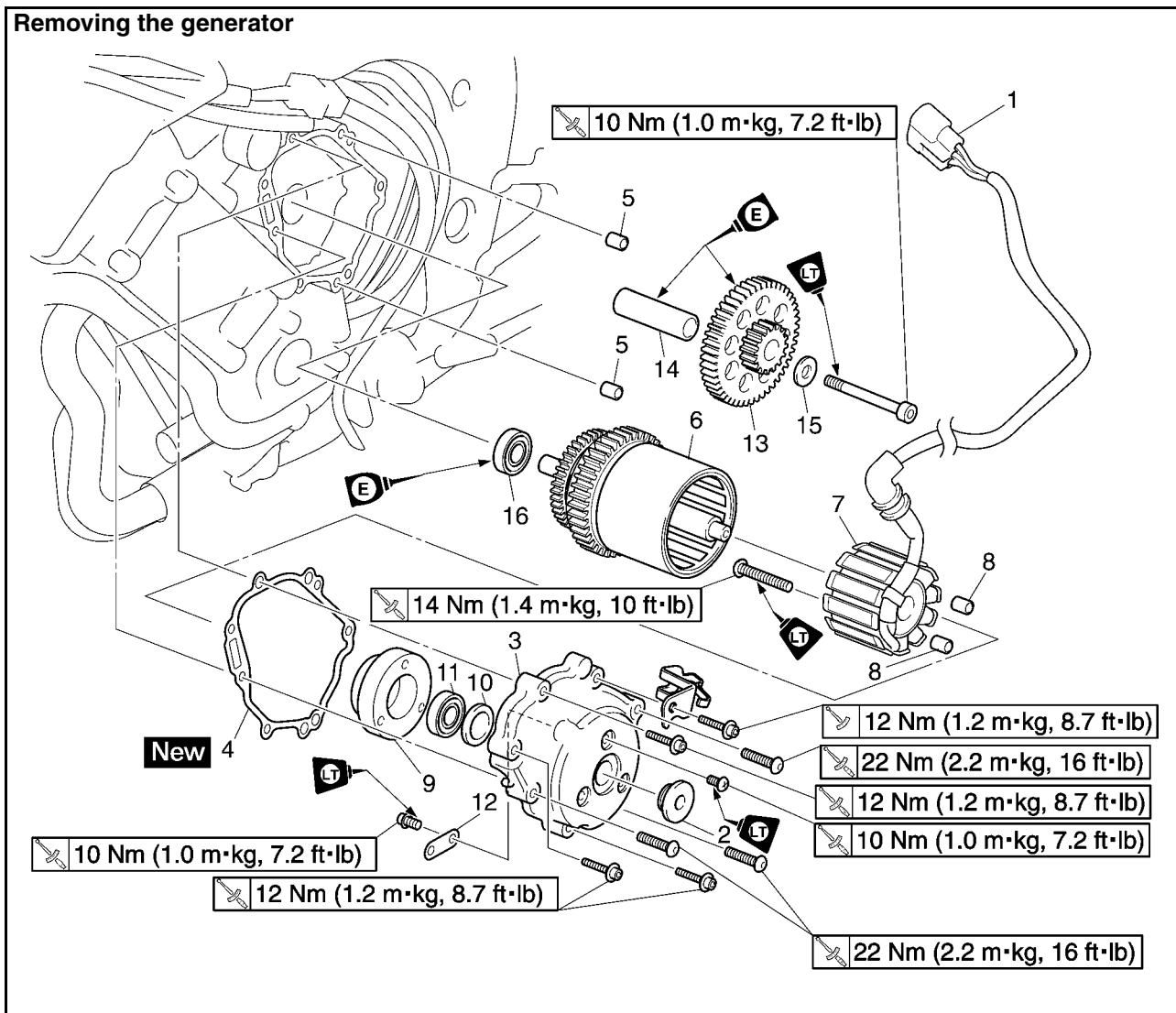
7. Install:

- Valve pad
- Valve lifter

EAS24480

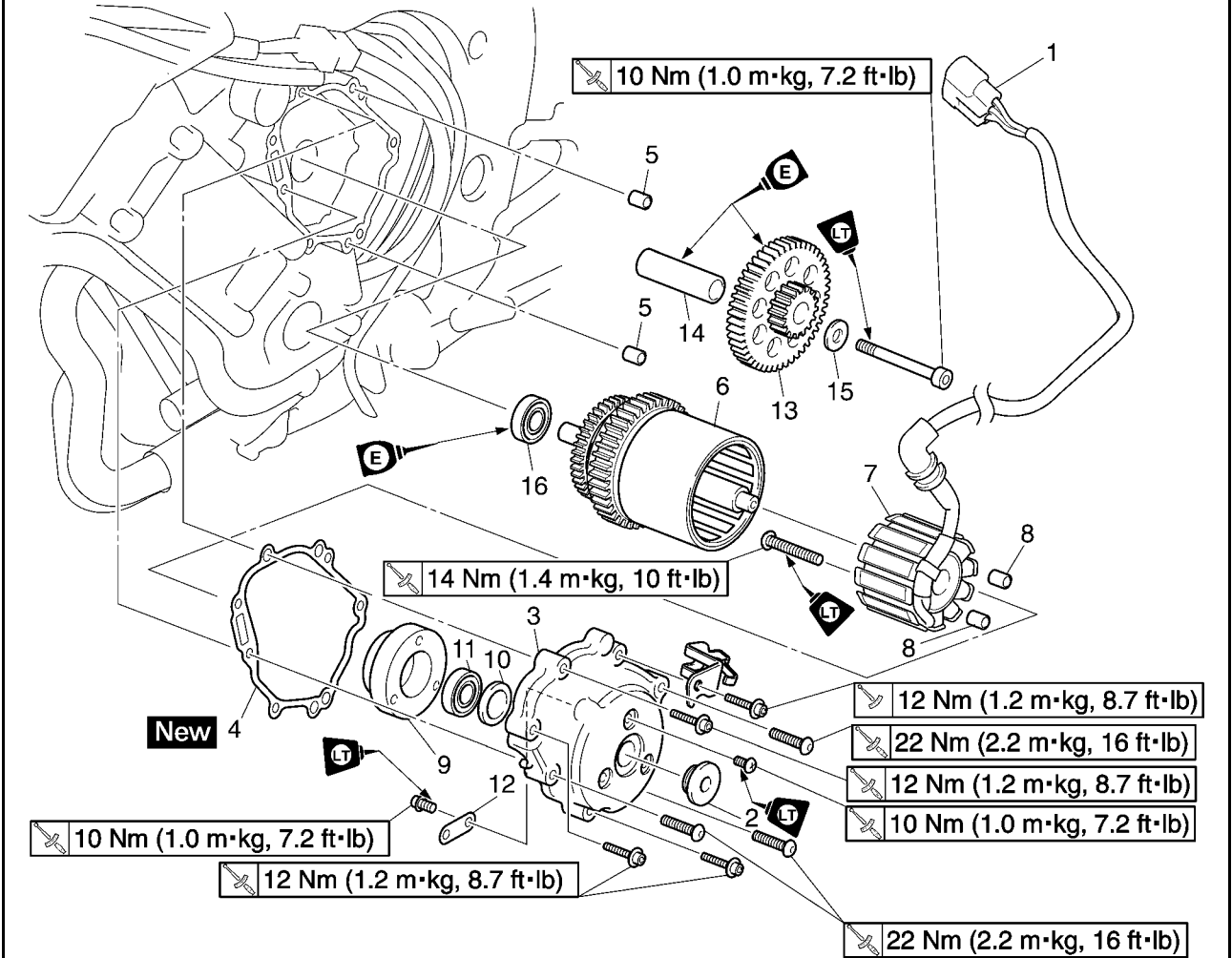
GENERATOR

Removing the generator



Order	Job/Parts to remove	Q'ty	Remarks
	Rider seat		Refer to "GENERAL CHASSIS" on page 4-1.
	Passenger seat		Refer to "GENERAL CHASSIS" on page 4-1.
	Side cowlings		Refer to "GENERAL CHASSIS" on page 4-1.
	Lower cowlings		Refer to "GENERAL CHASSIS" on page 4-1.
	Engine oil		Drain. Refer to "CHANGING THE ENGINE OIL" on page 3-11.
1	Stator coil assembly coupler	1	Disconnect.
2	Plug	1	
3	Generator rotor cover	1	
4	Gasket	1	
5	Dowel pin	2	
6	Generator rotor assembly	1	
7	Stator coil assembly	1	
8	Dowel pin	2	
9	Bearing housing	1	
10	Collar	1	
11	Bearing	1	

Removing the generator



Order	Job/Parts to remove	Q'ty	Remarks
12	Stator coil assembly lead holder	1	
13	Idler gear	1	
14	Idler gear shaft	1	
15	Washer	1	
16	Bearing	1	
			For installation, reverse the removal procedure.

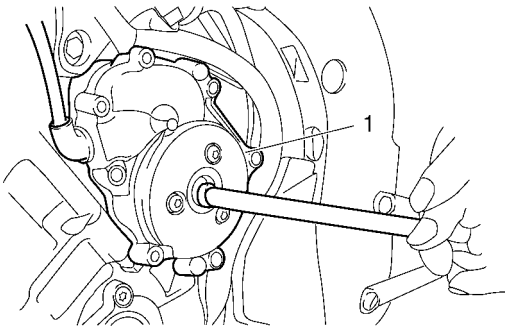
EAS24490

REMOVING THE GENERATOR

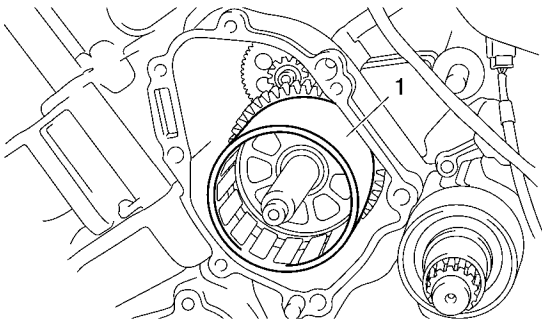
1. Remove:
 - Plug
 - Generator rotor cover "1"

NOTE:

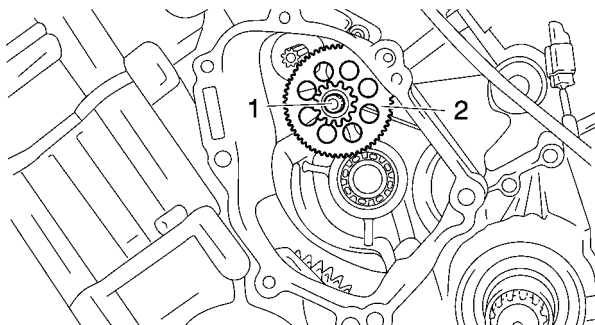
- While pushing generator rotor, remove the generator rotor cover.
- Loosen each bolt 1/4 of a turn a time, in stages and in a crisscross pattern.
- After all of the bolts are fully loosened, remove them.



2. Remove:
 - Generator rotor and starter clutch assembly "1"



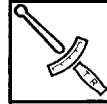
3. Remove:
 - Idle gear shaft bolt "1"
 - Idle shaft
 - Idle gear "2"



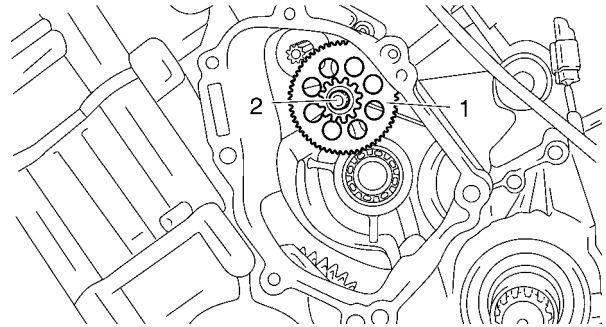
EAS24500

INSTALLING THE GENERATOR

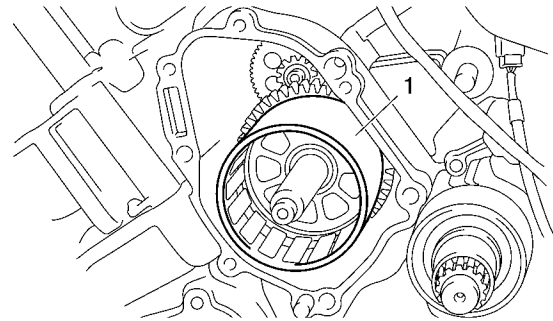
1. Install:
 - Idle gear shaft
 - Idle gear "1"
 - Washer
 - Idle gear shaft bolt "2"



Idle gear shaft bolt
10 Nm (1.0 m·kg, 7.2 ft·lb)
LOCTITE®



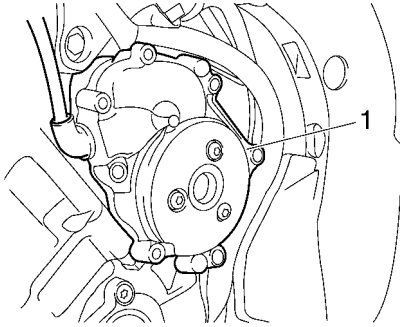
2. Install
 - Generator rotor and starter clutch assembly "1"



3. Install:
 - Generator rotor cover gasket **New**
 - Generator rotor cover "1"



Generator rotor cover bolt (M6)
12 Nm (1.2 m·kg, 8.7 ft·lb)
Generator rotor cover bolt (M8)
22 Nm (2.2 m·kg, 16 ft·lb)



NOTE:

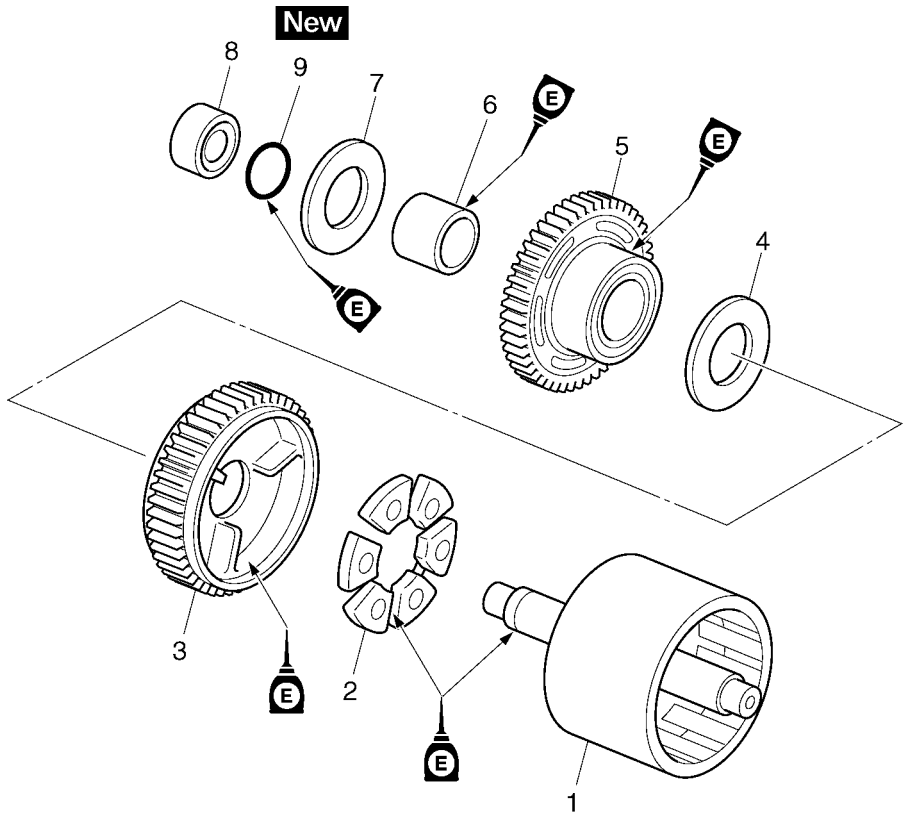
- First tighten the M8 bolts and then tighten the M6 bolts.
 - Tighten the generator rotor cover bolts in stages and in a crisscross pattern.
-

STARTER CLUTCH

EAS24550

STARTER CLUTCH

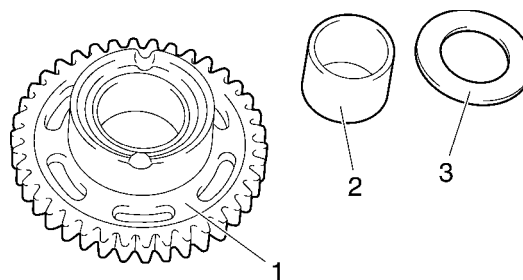
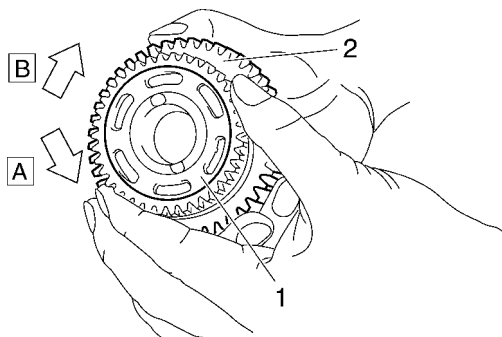
Removing the starter clutch



Order	Job/Parts to remove	Q'ty	Remarks
1	Generator rotor	1	
2	Damper	3	
3	Driven gear	1	
4	Washer	1	
5	Starter clutch drive gear	1	
6	Collar	1	
7	Washer	1	
8	Spacer	1	
9	O-ring	1	
			For assembly, reverse the removal procedure.

STARTER CLUTCH

- b. When turning the starter clutch drive gear clockwise "A", the starter clutch and the starter clutch drive gear should engage, otherwise the starter clutch is faulty and must be replaced.
- c. When turning the starter clutch drive gear counterclockwise "B", it should turn freely, otherwise the starter clutch is faulty and must be replaced.



3. Install:
 - Washer "1"
 - O-ring "2" **New**
 - Spacer "3"

NOTE: _____
Lubricate the engine oil to O-ring.

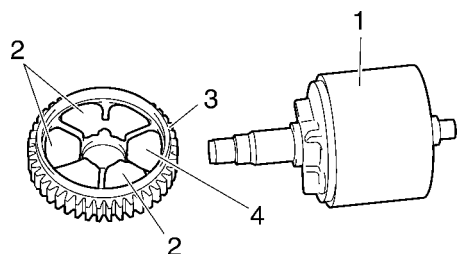
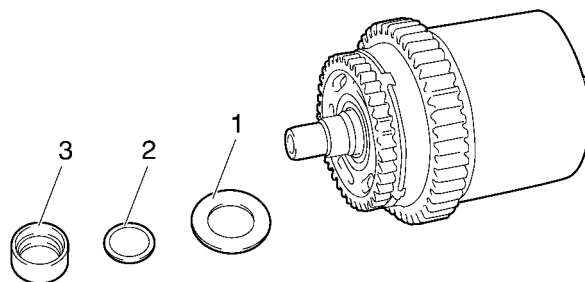


EAS24600

INSTALLING THE STARTER CLUTCH

1. Install:
 - Generator rotor "1"
 - Damper "2"
 - Driven gear "3"

NOTE: _____
 • The hole side of the damper is installed to the generator side.
 • Lubricate the engine oil "4".



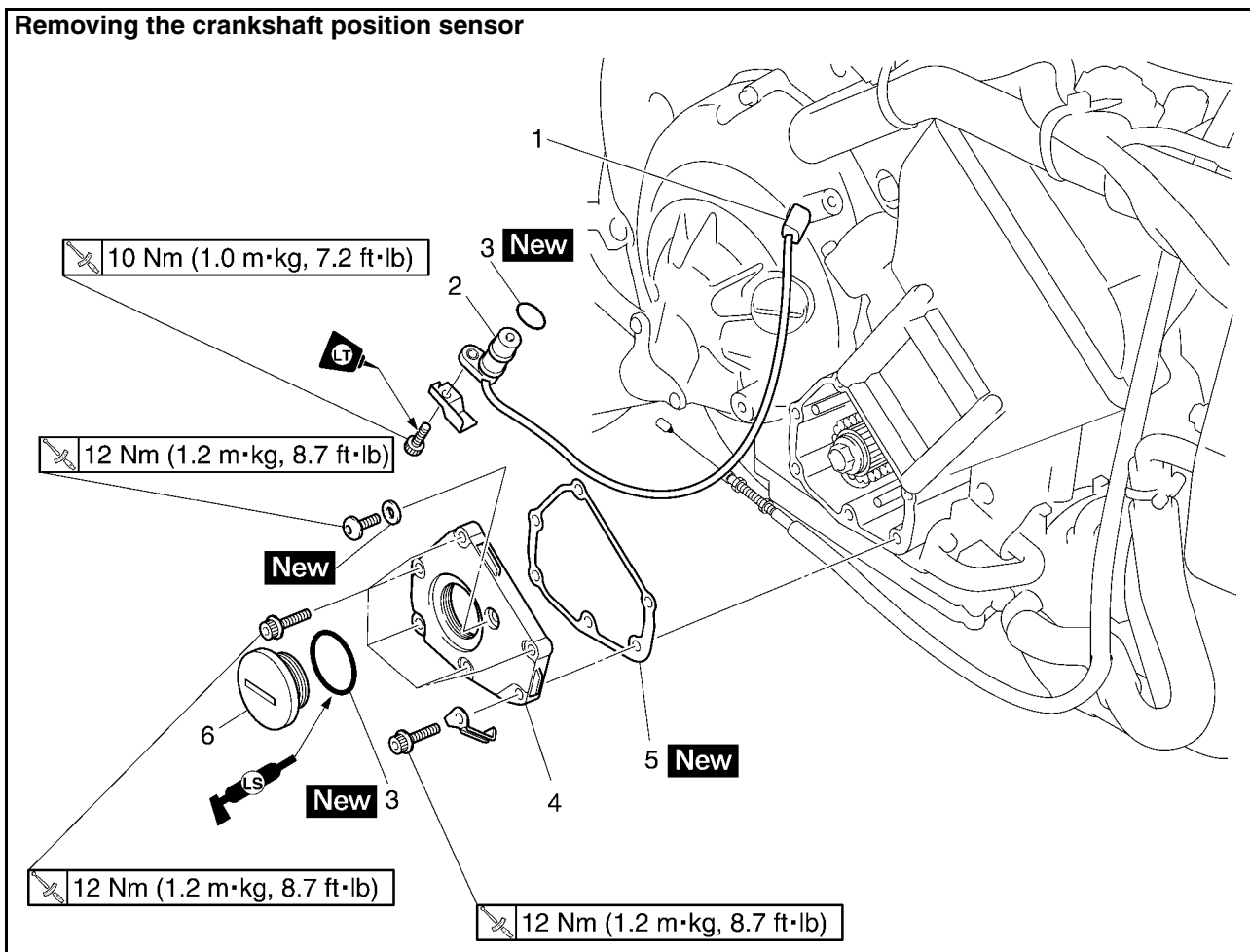
2. Install
 - Starter clutch drive gear "1"
 - Collar "2"
 - Washer "3"
 Refer to "CHECKING THE STARTER CLUTCH" on page 5-35.

CRANKSHAFT POSITION SENSOR

EAS24520

CRANKSHAFT POSITION SENSOR

Removing the crankshaft position sensor



Order	Job/Parts to remove	Q'ty	Remarks
	Rider seat		Refer to "GENERAL CHASSIS" on page 4-1.
	Side cowlings		Refer to "GENERAL CHASSIS" on page 4-1.
	Lower cowlings		Refer to "GENERAL CHASSIS" on page 4-1.
	Fuel tank		Refer to "FUEL TANK" on page 7-1.
	Engine oil		Drain. Refer to "CHANGING THE ENGINE OIL" on page 3-11.
1	Crankshaft position sensor lead coupler	1	
2	Crankshaft position sensor	1	
3	O-ring	1	
4	Pickup rotor cover	1	
5	Gasket	1	
6	Cover	1	
			For installation, reverse the removal procedure.

CRANKSHAFT POSITION SENSOR

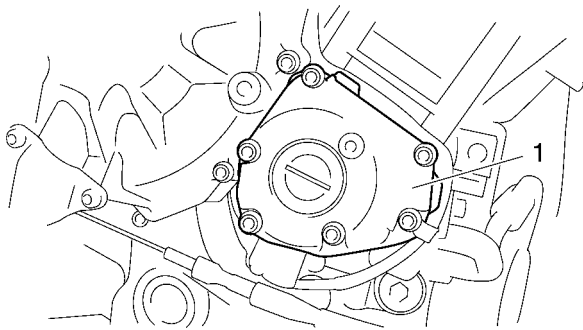
EAS24530

REMOVING THE CRANKSHAFT POSITION SENSOR

1. Disconnect:
 - Crankshaft position sensor lead coupler
2. Remove:
 - Crankshaft position sensor
 - O-ring
 - Pickup coil rotor cover "1"

NOTE:

Loosen each bolt 1/4 of a turn at a time, in stages and in a crisscross pattern. After all of the bolts are fully loosened, remove them.



EAS24540

INSTALLING THE CRANKSHAFT POSITION SENSOR

1. Install:
 - Gasket **New**
 - Pickup rotor cover "1"

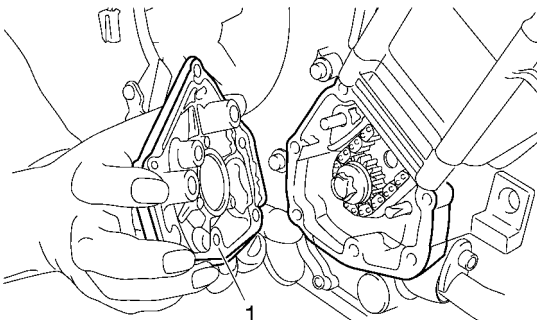


Pickup rotor cover
12 Nm (1.2 m·kg, 8.7 ft·lb)

- O-ring **New**
- Crankshaft position sensor



Crankshaft position sensor bolt
10 Nm (1.0 m·kg, 7.2 ft·lb)
LOCTITE®

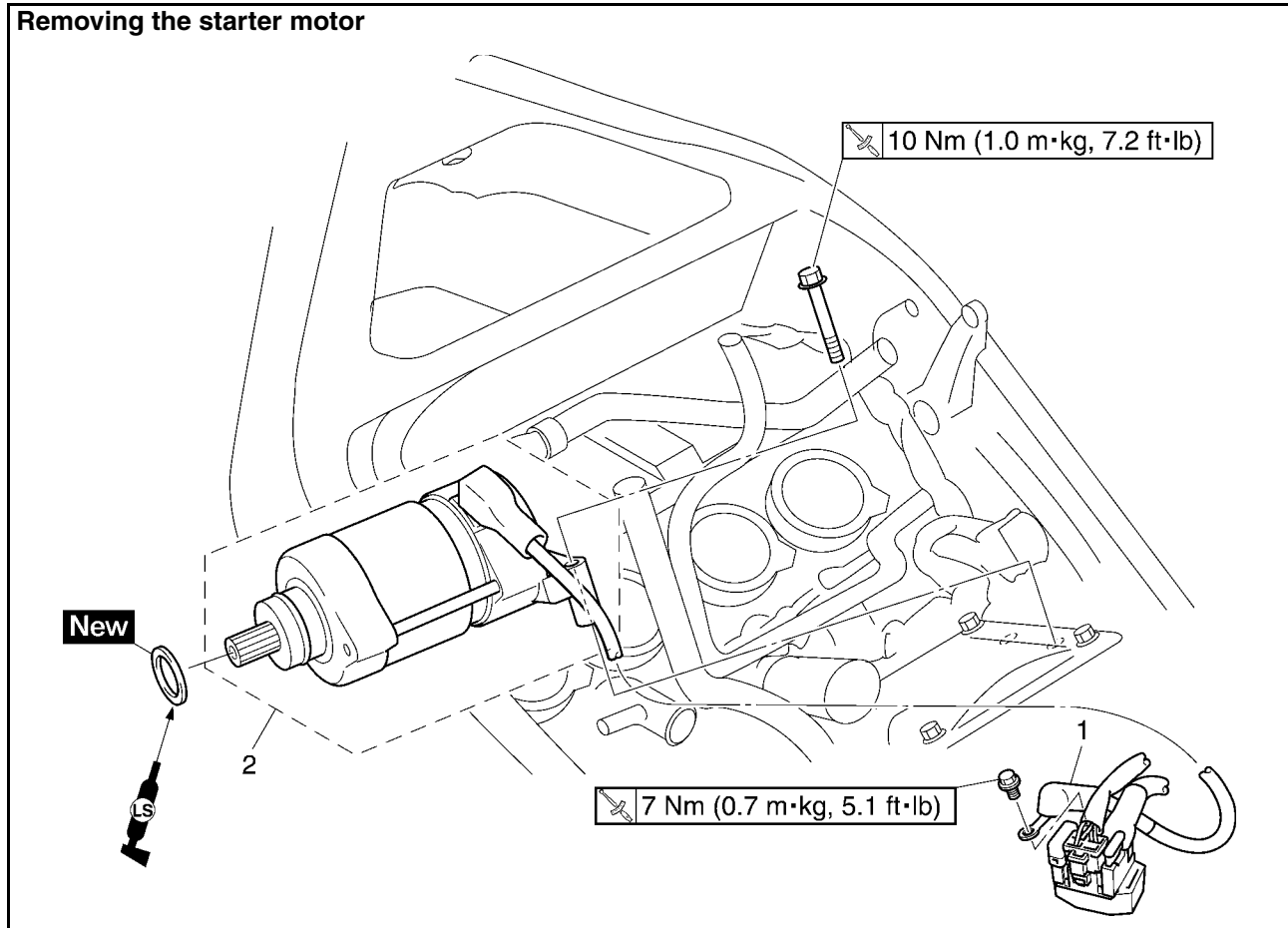


2. Connect
 - Crankshaft position sensor lead coupler

EAS24780

ELECTRIC STARTER

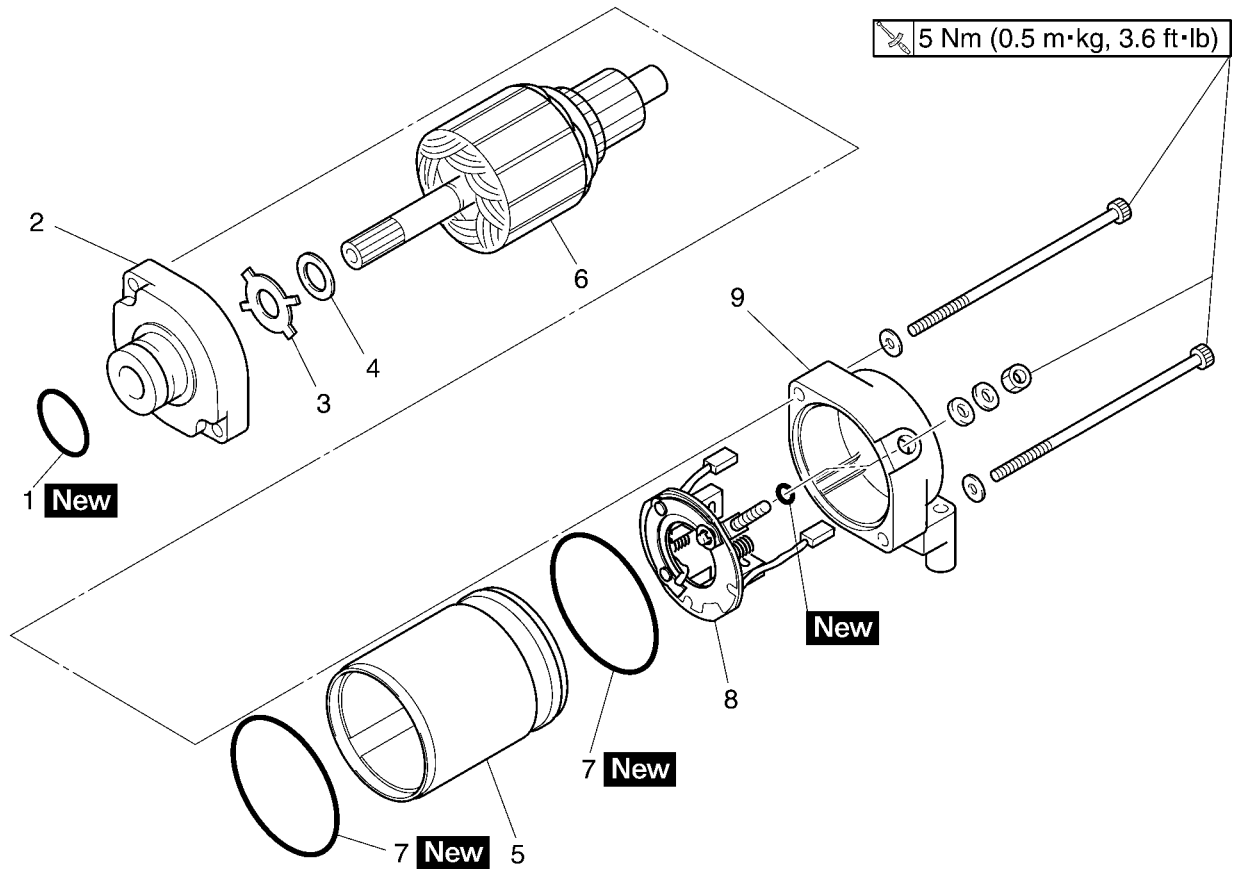
Removing the starter motor



Order	Job/Parts to remove	Q'ty	Remarks
	Rider seat		Refer to "GENERAL CHASSIS" on page 4-1.
	Fuel tank		Refer to "FUEL TANK" on page 7-1.
	Air filter case		Refer to "GENERAL CHASSIS" on page 4-1.
	Throttle body		Refer to "THROTTLE BODIES" on page 7-4.
1	Starter motor lead	1	Disconnect.
2	Starter motor	1	
			For installation, reverse the removal procedure.

ELECTRIC STARTER

Disassembling the starter motor



Order	Job/Parts to remove	Q'ty	Remarks
1	O-ring	1	
2	Front cover	1	
3	Lock washer	1	
4	Washer	1	
5	Starter motor yoke	1	
6	Armature assembly	1	
7	Gasket	2	
8	Brush holder	1	
9	Rear cover	1	
			For assembly, reverse the removal procedure.

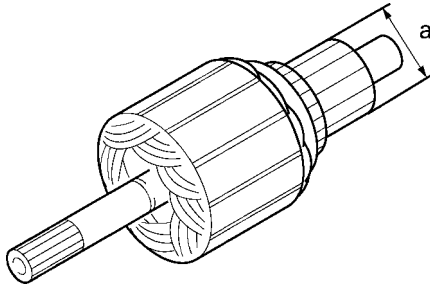
EAS24790

CHECKING THE STARTER MOTOR

1. Check:
 - Commutator
Dirt → Clean with 1000 grit sandpaper.
2. Measure:
 - Commutator diameter “a”
Out of specification → Replace the starter motor.



Limit
23.5 mm (0.93 in)



3. Measure:
 - Mica undercut “a”
Out of specification → Scrape the mica to the proper measurement with a hacksaw blade that has been grounded to fit the commutator.



Mica undercut (depth)
1.50 mm (0.06 in)

NOTE:

The mica of the commutator must be undercut to ensure proper operation of the commutator.



4. Measure:
 - Armature assembly resistances (commutator and insulation)
Out of specification → Replace the starter motor.

- a. Measure the armature assembly resistances with the pocket tester.

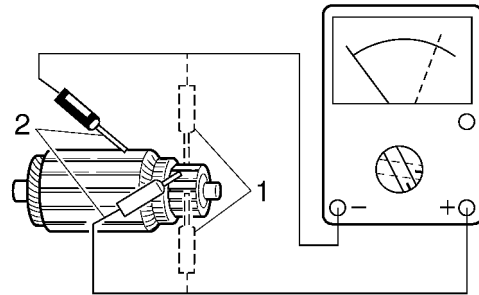


Pocket tester
90890-03112
Analog pocket tester
YU-03112-C



Armature coil
Commutator resistance “1”
0.009–0.011 Ω at 20°C (68°F)
Insulation resistance “2”
Above 1 MΩ at 20°C (68°F)

- b. If any resistance is out of specification, replace the starter motor.

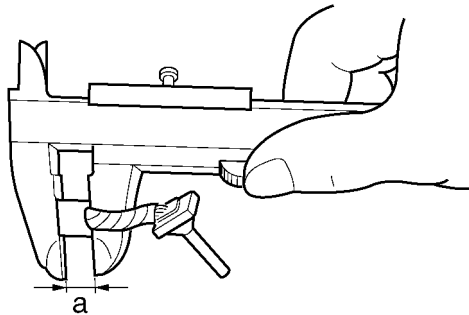


5. Measure:

- Brush length “a”
Out of specification → Replace the brushes as a set.



Limit
7.19 mm (0.28 in)

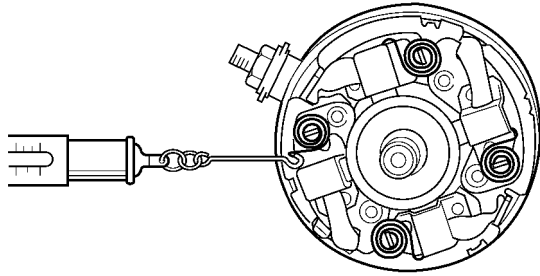


6. Measure:

- Brush spring force
Out of specification → Replace the brush springs as a set.



Brush spring force
5.28–7.92 N (19.01–28.51 oz)
(538–808 gf)



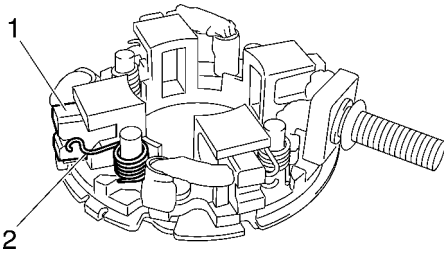
7. Check:
- Gear teeth
Damage/wear → Replace the starter motor.

EAS24800

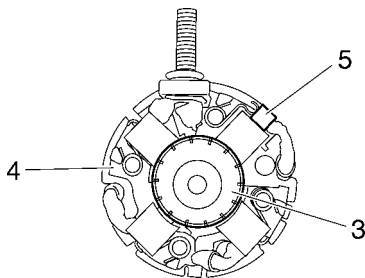
ASSEMBLING THE STARTER MOTOR

1. Install:
- Brush holder
 - Armature

- a. Pull both the brush spring and the brush outside and hook the brush spring to the groove portion at the side of the brush.

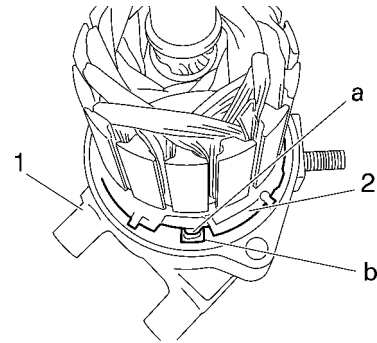


- b. Insert the armature into the brush holder and push the brush inside until it touches the armature.

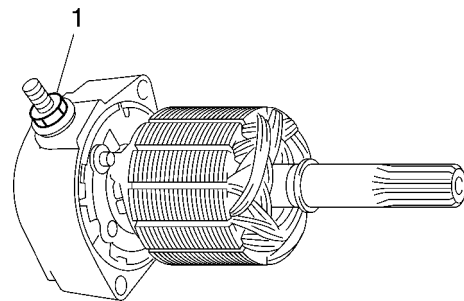
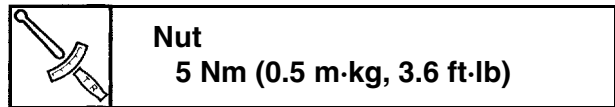


2. Install:
- O-rings **New**
 - Rear cover "1"

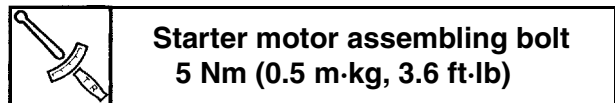
NOTE: _____
Align the tab "a" on the brush holder "2" with the tab "b" in the starter motor rear cover.



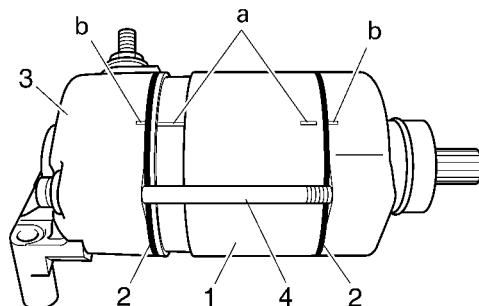
3. Install:
- Nut "1"



4. Install:
- Starter motor yoke "1"
 - Gasket "2" **New**
 - Starter motor rear cover "3"
 - Starter motor assembling bolts "4"



NOTE: _____
Align the match marks "a" on the starter motor yoke with the match marks "b" on the front and starter motor rear covers.



EAS24810

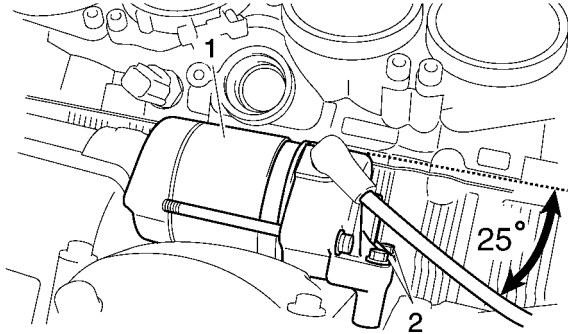
INSTALLING THE STARTER MOTOR

1. Install:

- Starter motor "1"
- Starter motor bolts "2"



Starter motor bolt
10 Nm (1.0 m·kg, 7.2 ft·lb)

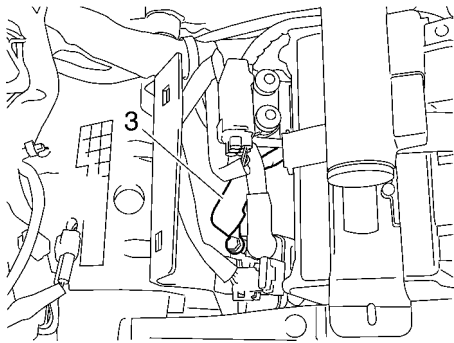


2. Connect:

- Starter motor lead "3"



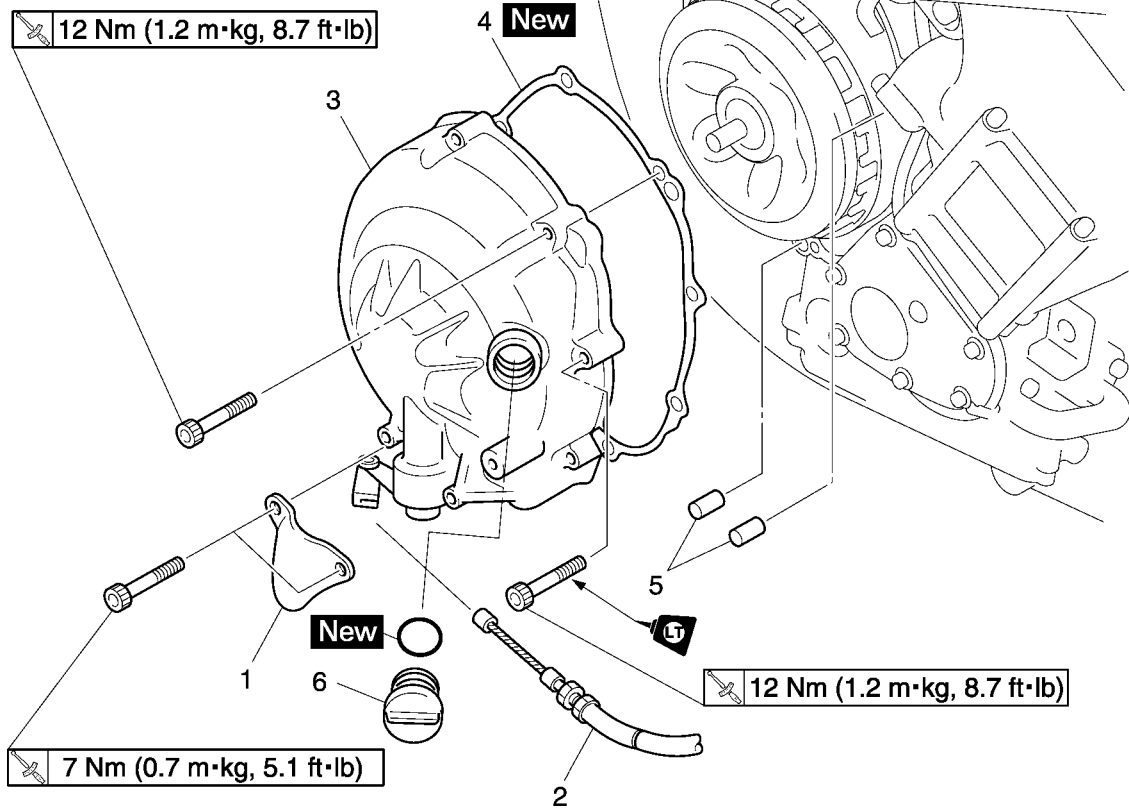
Starter motor lead bolt
7 Nm (0.7 m·kg, 5.1 ft·lb)



EAS25060

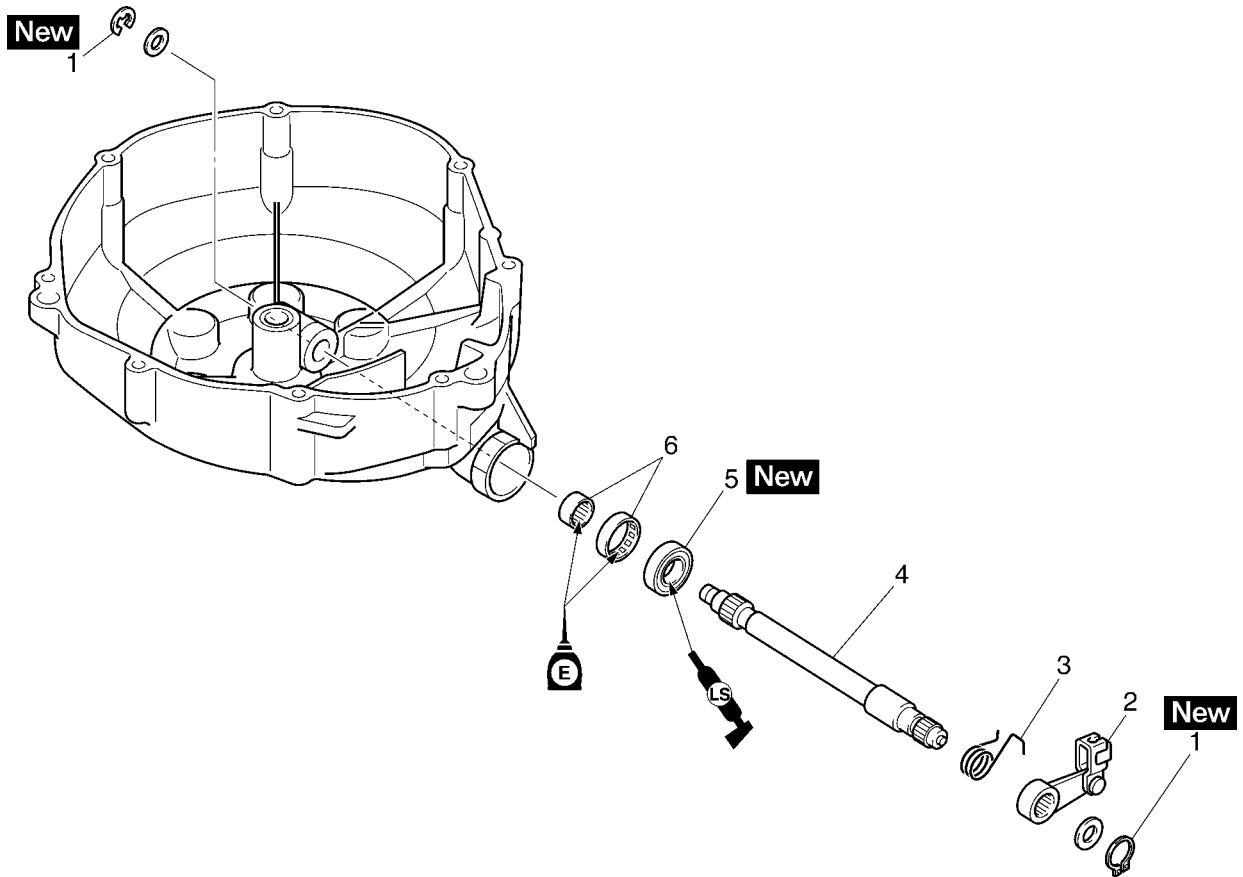
CLUTCH

Removing the clutch cover



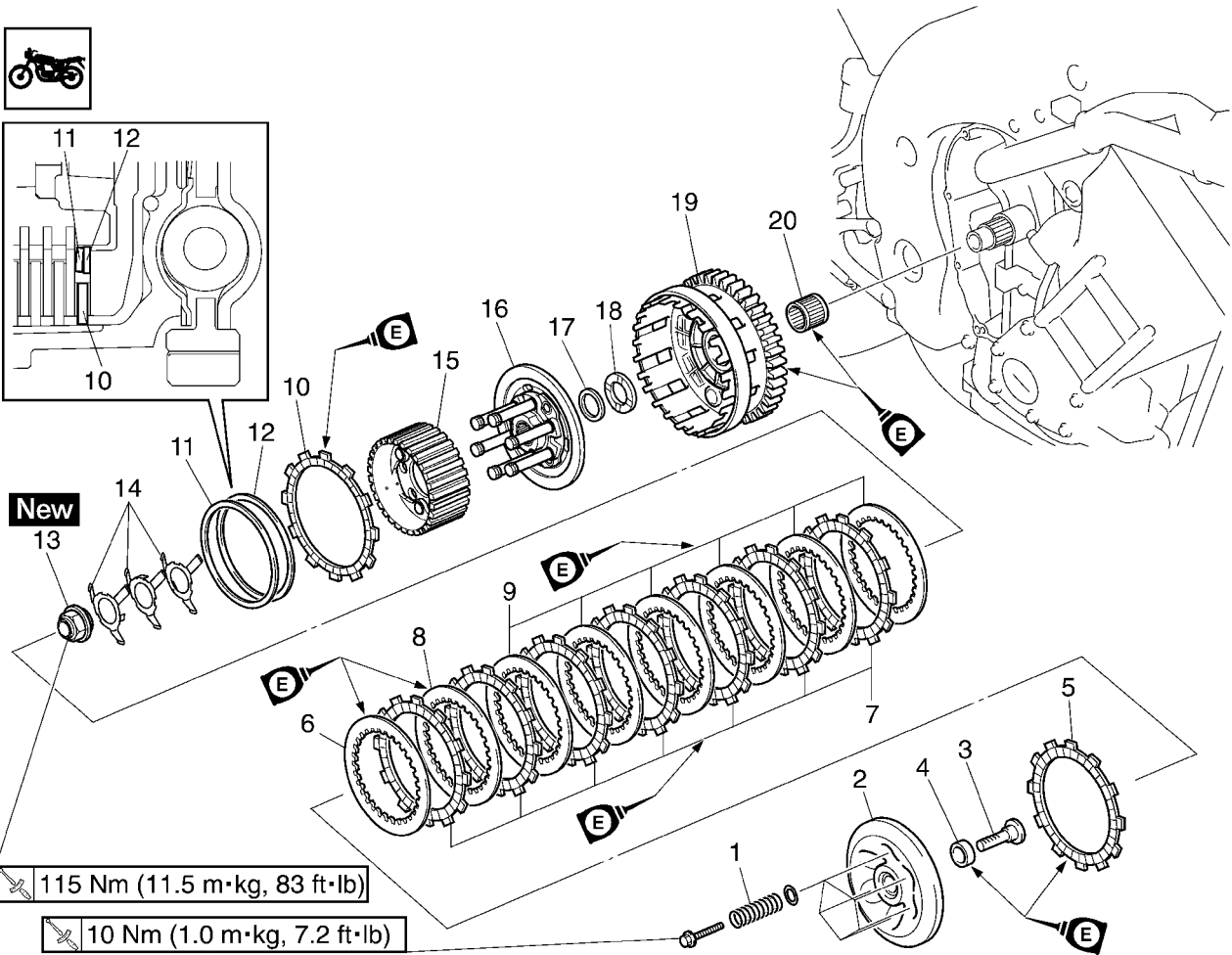
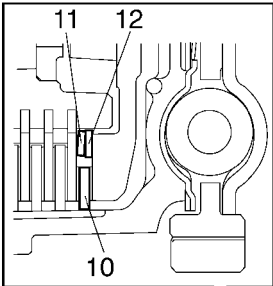
Order	Job/Parts to remove	Q'ty	Remarks
	Right side cowling		Refer to "GENERAL CHASSIS" on page 4-1.
	Bottom cowlings		Refer to "GENERAL CHASSIS" on page 4-1.
	Engine oil		Drain. Refer to "CHANGING THE ENGINE OIL" on page 3-11.
1	Cover	1	
2	Clutch cable	1	Disconnect.
3	Clutch cover	1	
4	Clutch cover gasket	1	
5	Dowel pin	2	
6	Oil filler cap	1	
			For installation, reverse the removal procedure.

Removing the push lever shaft



Order	Job/Parts to remove	Q'ty	Remarks
1	Circlip	2	
2	Pull lever	1	
3	Pull lever spring	1	
4	Pull lever shaft	1	
5	Oil seal	1	
6	Bearing	2	
			For installation, reverse the removal procedure.

Removing the clutch



115 Nm (11.5 m•kg, 83 ft•lb)

10 Nm (1.0 m•kg, 7.2 ft•lb)

Order	Job/Parts to remove	Q'ty	Remarks
1	Compression spring	6	
2	Pressure plate 1	1	
3	Push rod	1	
4	Bearing	1	
5	Friction plate 1	1	
6	Clutch plate 1	1	
7	Friction plate 2	7	
8	Clutch plate 2	1	
9	Clutch plate 3	6	
10	Friction plate 3	1	
11	Clutch damper spring	1	
12	Clutch damper spring seat	1	
13	Muffler	1	
14	Spring	3	
15	Clutch boss	1	
16	Pressure plate 2	1	
17	Conical spring washer	1	
18	Thrust plate 2	1	
19	Clutch housing	1	
20	Bearing	1	
			For installation, reverse the removal procedure.

EAS25080

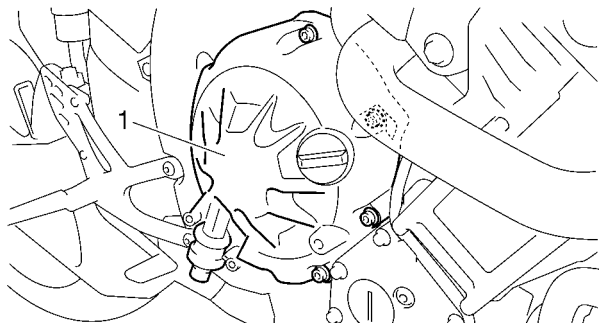
REMOVING THE CLUTCH

1. Remove:

- Clutch cover "1"
- Gasket

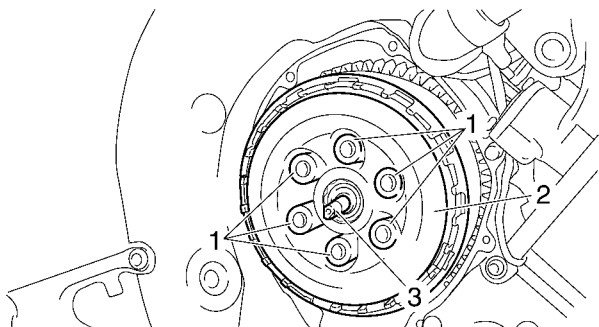
NOTE:

Loosen each bolt 1/4 of a turn at a time, in stages and in a crisscross pattern. After all of the bolts are fully loosened, remove them.



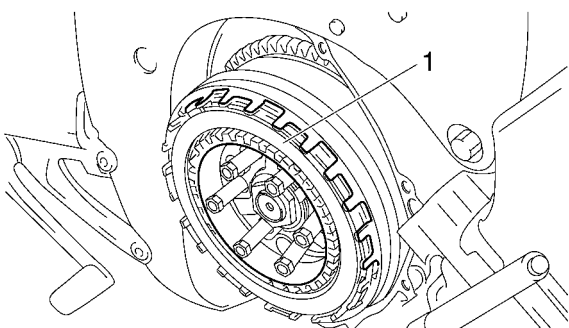
2. Remove:

- Compression spring bolts "1"
- Compression springs
- Pressure plate "2"
- Push rod "3"



3. Remove:

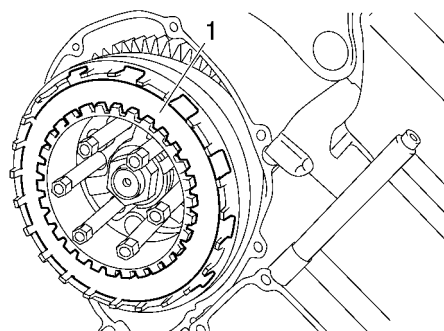
- Friction plate 1 "1"



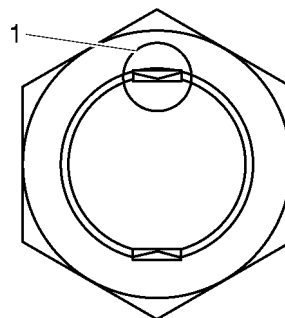
4. Remove:

- Clutch plate 1 "1"

- Friction plate 2
- Clutch plate 2
- Clutch plate 3
- Friction plate 3
- Clutch damper spring
- Clutch damper spring seat



5. Straighten the clutch boss nut rib "1".

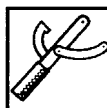


6. Loosen:

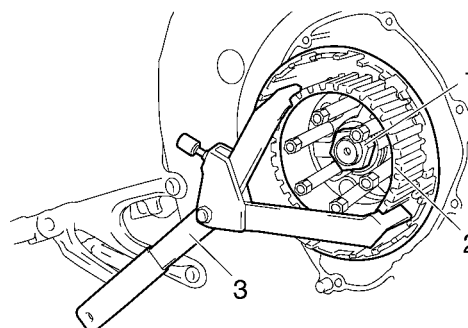
- Clutch boss nut "1"

NOTE:

While holding the clutch boss "2" with the universal clutch holder "3", loosen the clutch boss nut.



Universal clutch holder
90890-04086
YM-91042



7. Remove:

- Clutch boss nut

- Springs
- Pressure plate 2
- Conical spring washer
- Thrust plate 2

EAS25100

CHECKING THE FRICTION PLATES

The following procedure applies to all of the friction plates.

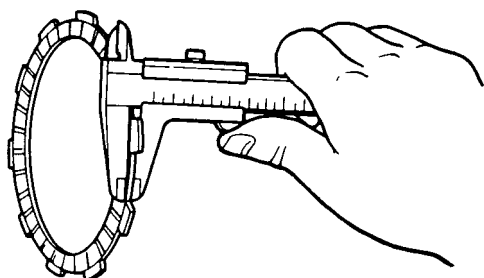
1. Check:
 - Friction plate
Damage/wear → Replace the friction plates as a set.
2. Measure:
 - Friction plate thickness
Out of specification → Replace the friction plates as a set.

NOTE:

Measure the friction plate at four places.



Friction plate thickness
2.90–3.10 mm (0.114–0.122 in)
Wear limit
2.80 mm (0.1102 in)



EAS25110

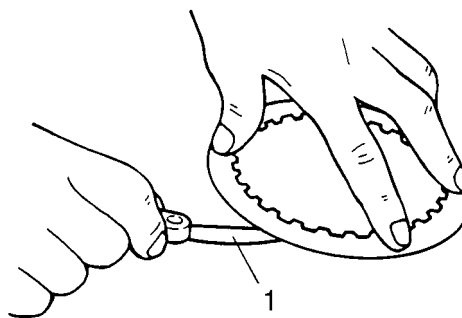
CHECKING THE CLUTCH PLATES

The following procedure applies to all of the clutch plates.

1. Check:
 - Clutch plate
Damage → Replace the clutch plates as a set.
2. Measure:
 - Clutch plate warpage
(with a surface plate and thickness gauge “1”)
Out of specification → Replace the clutch plates as a set.



Warpage limit
0.10 mm (0.0039 in)



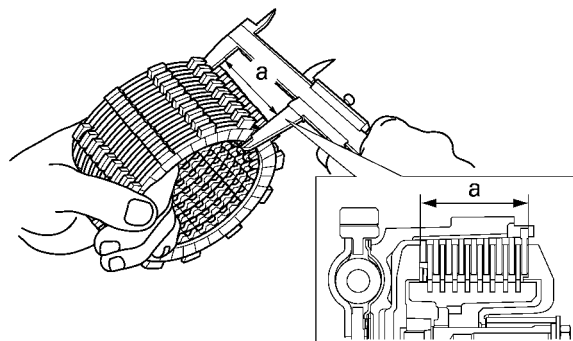
3. Measure:
 - assembly width “a” of the friction plates and clutch plates
Out of specification → Adjust.



Assembly width
42.4–43.0 mm (1.67–1.69 in)

NOTE:

Perform the thickness measurement without applying the oil.



- a. Assembly width adjusted by clutch plate “1” and “2”.
- b. Select the clutch plate from the following table.

Clutch plate “1”

Part No.	Thickness	
4B1-16324-00	1.6 mm (0.062 in)	
5VY-16325-00	2.0 mm (0.079 in)	STD
4B1-16325-00	2.3 mm (0.091 in)	

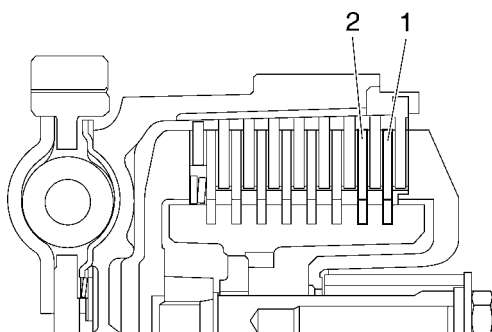
Clutch plate "2"

Part No.	Thickness	
5VY-16325-00	2.0 mm (0.079 in)	STD
4B1-16325-00	2.3 mm (0.091 in)	

NOTE:

When adjusting the clutch assembly width [by replacing the clutch plate(s)], be sure to replace the clutch plate "1" fast.

After replacing the clutch plate "1", if specifications cannot be met, replace the clutch plate "2".



EAS25140

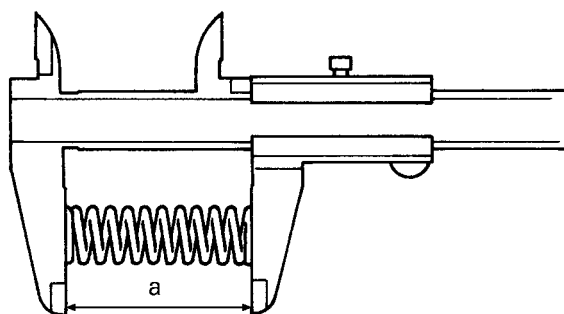
CHECKING THE CLUTCH SPRINGS

The following procedure applies to all of the clutch springs.

1. Check:
 - Clutch spring
Damage → Replace the clutch springs as a set.
2. Measure:
 - Clutch spring free length "a"
Out of specification → Replace the clutch springs as a set.



Clutch spring free length
43.80 mm (1.72 in)
Limit
41.61 mm (1.64 in)



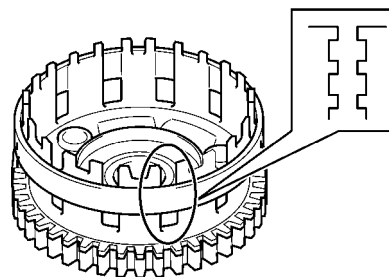
EAS25150

CHECKING THE CLUTCH HOUSING

1. Check:
 - Clutch housing dogs
Damage/pitting/wear → Deburr the clutch housing dogs or replace the clutch housing.

NOTE:

Pitting on the clutch housing dogs will cause erratic clutch operation.



2. Check:
 - Bearing
Damage/wear → Replace the bearing and clutch housing.

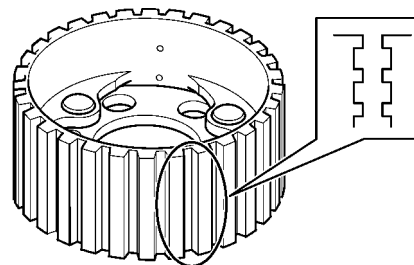
EAS25160

CHECKING THE CLUTCH BOSS

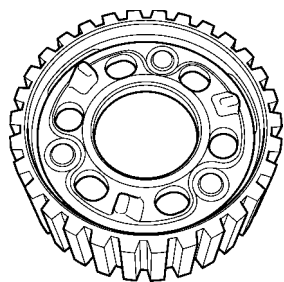
1. Check:
 - Clutch boss splines
Damage/pitting/wear → Replace the clutch boss.

NOTE:

Pitting on the clutch boss splines will cause erratic clutch operation.



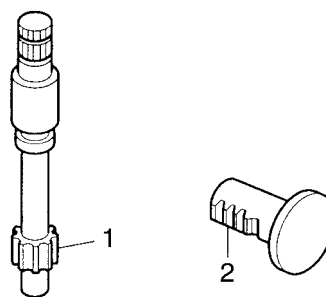
2. Check:
 - Clutch boss
Cracks/damage → Replace.



EAS4C81005

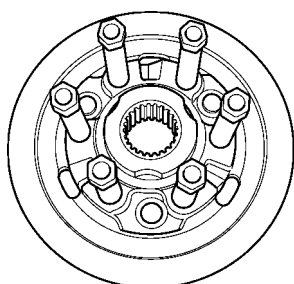
CHECKING THE PRESSUR PLATE 2

1. Check:
 - Pressure plate 2
 - Cracks / damage → Replace.



11412102

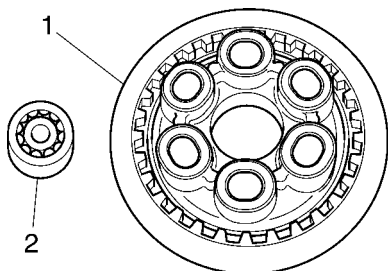
2. Check:
 - Push rod bearing
 - Damage/wear → Replace.



EAS25170

CHECKING THE PRESSURE PLATE 1

1. Check:
 - Pressure plate "1"
 - Cracks/damage → Replace.
 - Bearing "2"
 - Damage/wear → Replace.

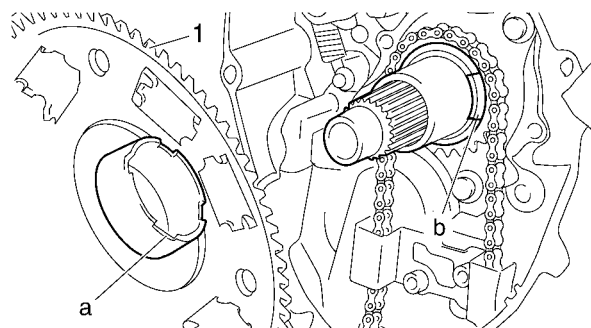


EAS25240

INSTALLING THE CLUTCH

1. Install:
 - Clutch housing "1"
 - Conical spring washer
 - Thrust plate 2

NOTE: _____
Align the projection of clutch housing "a" and hollow of the oil pump drive gear "b".



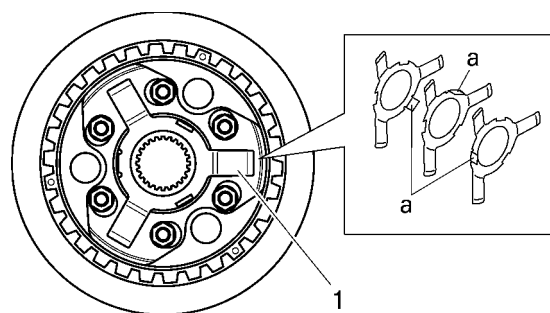
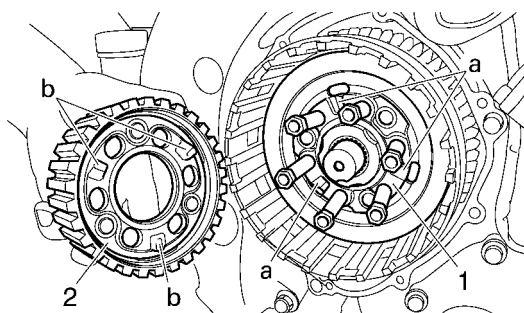
EAS4C81006

CHECKING THE PUSH LEVER SHAFT AND PUSH ROD

1. Check:
 - Push lever shaft pinion gear teeth "1"
 - Push rod teeth "2"
 - Damage/wear → Replace the push rod and push lever shaft pinion gear as a set.

2. Install:
 - Pressure plate 2 "1"
 - Clutch boss "2"

NOTE: _____
Fit the groove "a" of the pressure plate 2 to the projection "b" of the clutch boss to assemble.



3. Install:

- Spring "1"
- Clutch boss nut "2" **New**



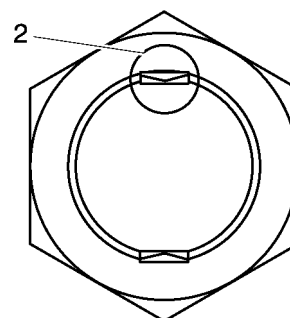
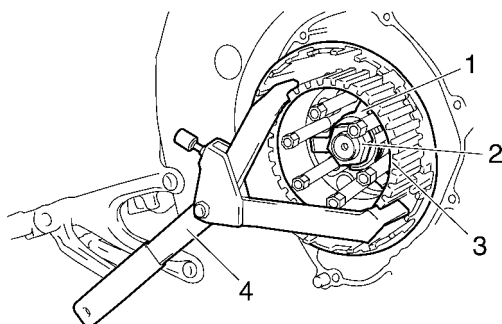
Clutch boss nut
115 Nm (11.5 m·kg, 83 ft·lb)

NOTE:

- Put the spring detent "a" into the groove of the pressure plate 2.
Assemble so that each spring detent "a" is positioned in a different groove.
- While holding the clutch boss "3" with the clutch holding tool "4", tighten the clutch boss nut.
- Lock the threads on the clutch boss nut by staking them with a drift punch at the point aligned with the groove in the axle.



Universal clutch holder
90890-04086
YM-91042

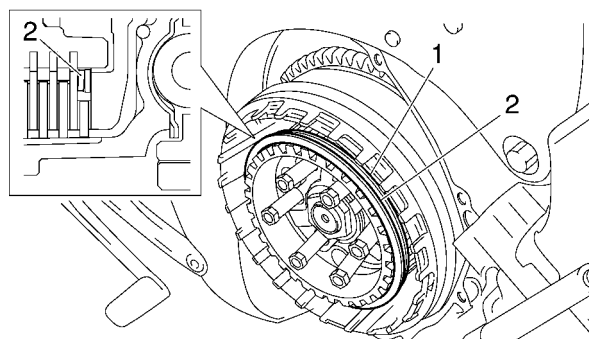


4. Install:

- Clutch damper spring seat "1"
- Clutch damper spring "2"

NOTE:

Install the clutch damper spring as shown in the illustration.



5. Lubricate:

- Friction plates
- Clutch plates
(with the recommended lubricant)



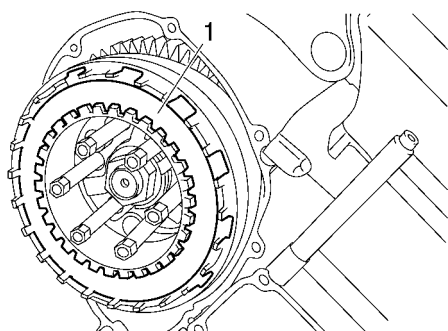
Recommended lubricant
Engine oil

6. Install:

- Friction plate 3
- Friction plate 2
- Clutch plate 3
- Clutch plate 2
- Clutch plate 1 "1"

NOTE:

Assemble the friction plates and clutch plates according to the installation order.

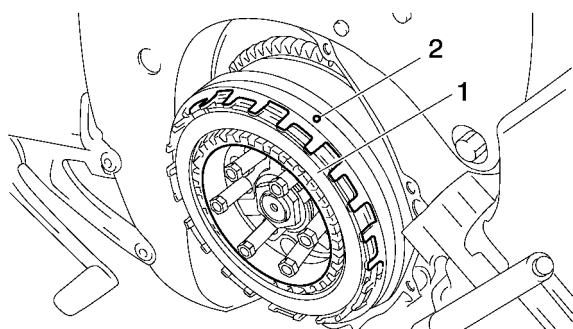


7. Install:

- Friction plate 1 "1"

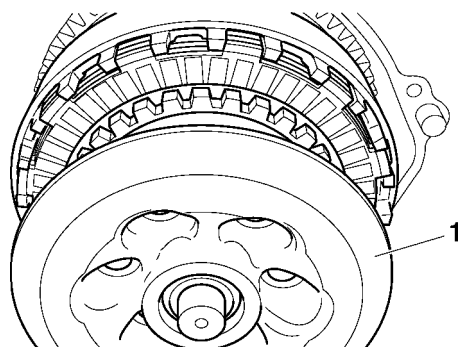
NOTE:

Install the last friction plate shifting half phase with the ø2 punch mark "2".



8. Install:

- Bearing
- Pull rod
- Pressure plate 1 "1"



9. Install:

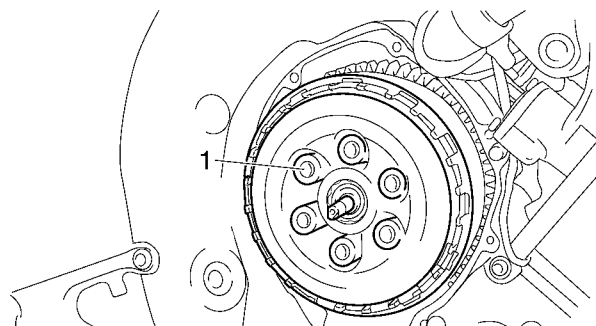
- Clutch springs
- Clutch spring bolts "1"



Clutch spring bolt
10 Nm (1.0 m·kg, 7.2 ft·lb)

NOTE:

Tighten the clutch spring bolts in stages and in a crisscross pattern.

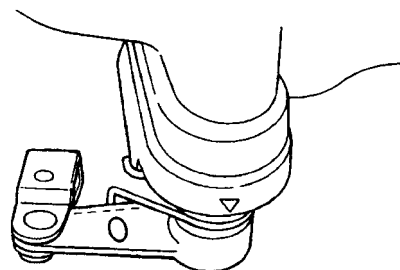


10. Install:

- Push lever

NOTE:

Install the push lever with the "h" mark facing toward upper side.

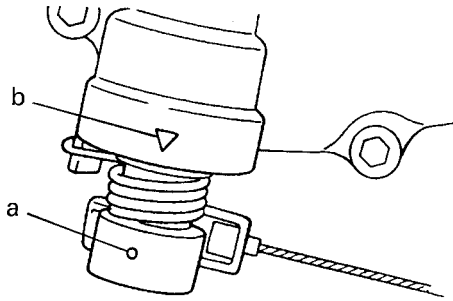


11. Install:

- Clutch cover
- Clutch cover gasket

NOTE:

- Install the push rod so that the teeth face towards the rear of the vehicle. Then, install the clutch cover.
- Apply oil onto the bearing.
- Apply molybdenum disulfide grease onto the push rod.
- When installing the clutch cover, push the push lever and check that the punch mark "a" on the push lever aligns with the mark "b" on the clutch cover. Make sure that the push rod teeth and push lever shaft pinion gear are engaged.



12. Tighten:

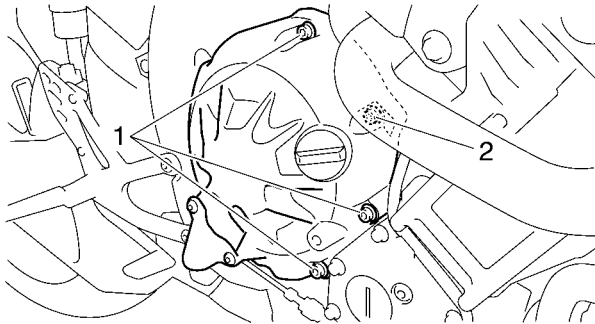
- Clutch cover bolts "1"
- Clutch cover bolt "2"



Clutch cover bolt
12 Nm (1.2 m·kg, 8.7 ft·lb)
Clutch cover bolt
12 Nm (1.2 m·kg, 8.7 ft·lb)
LOCTITE®

NOTE:

Tighten the clutch cover bolts in a stages and in a crisscross pattern.



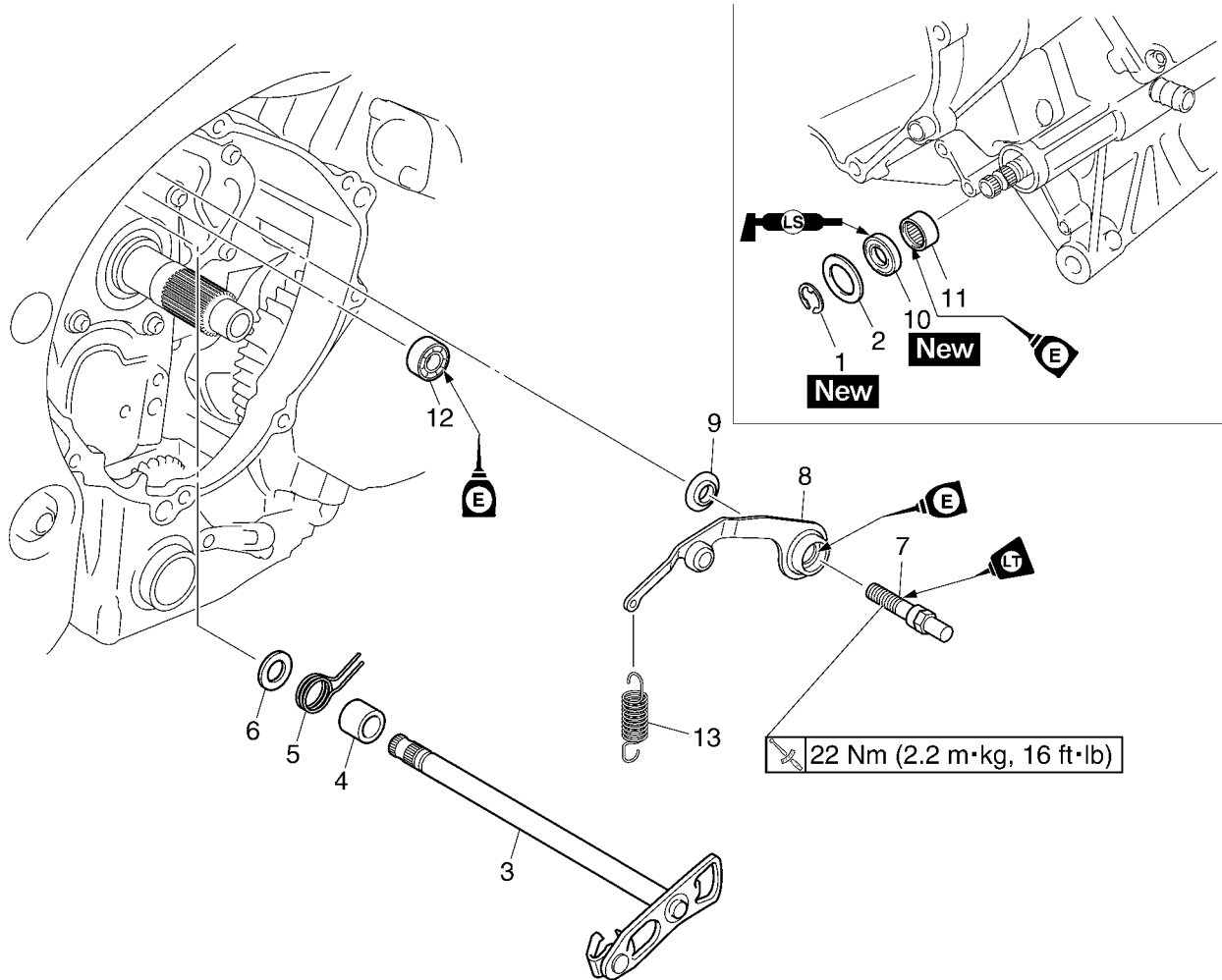
13. Adjust:

- Clutch cable free play
Refer to "ADJUSTING THE CLUTCH CABLE FREE PLAY" on page 3-14.

EAS25410

SHIFT SHAFT

Removing the shift shaft and stopper lever

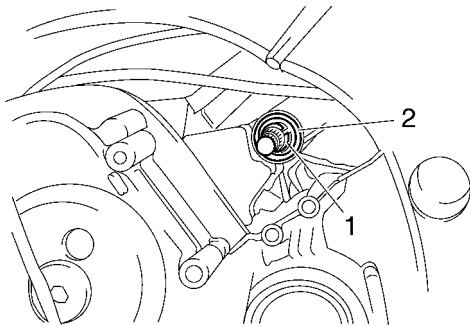
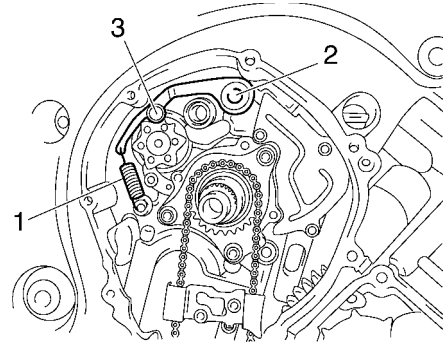


Order	Job/Parts to remove	Q'ty	Remarks
	Shift arm		Refer to "ENGINE REMOVAL" on page 5-1
	Clutch assembly		Refer to "CLUTCH" on page 5-44.
1	Circlip	1	
2	Washer	1	
3	Shift shaft	1	
4	Collar	1	
5	Shift shaft spring	1	
6	Washer	1	
7	Stopper screw	1	
8	Stopper lever	1	
9	Washer	1	
10	Oil seal	1	
11	Bearing	1	
12	Bearing	1	
13	Stopper lever spring	1	
			For installation, reverse the removal procedure.

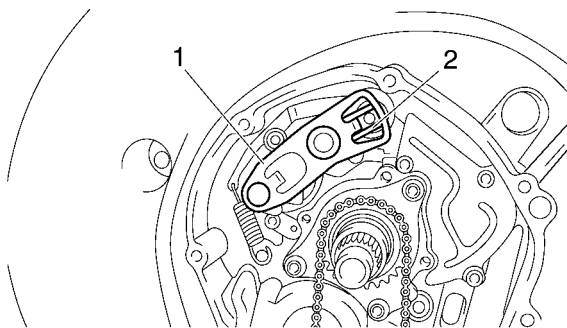
EAS4C81008

REMOVING THE SHIFT SHAFT

1. Remove:
 - Clutch assembly
Refer to "CLUTCH" on page 5-44
2. Remove:
 - Shift arm
 - Shift rod
Refer to "ENGINE REMOVAL" on page 5-1
3. Remove:
 - Circlip "1"
 - Washer "2"
(left side of the engine)



4. Remove
 - Shift shaft "1"
 - Shift shaft spring "2"
 - Collar
 - Washer

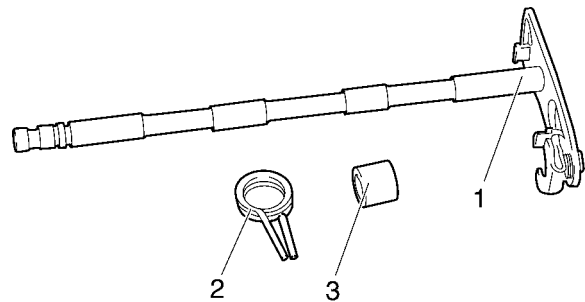


5. Remove:
 - Stopper lever spring "1"
 - Stopper screw "2"
 - Stopper lever "3"
 - Washer

EAS25420

CHECKING THE SHIFT SHAFT

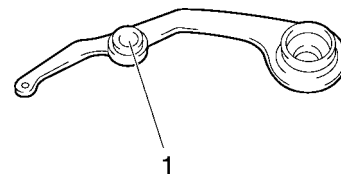
1. Check:
 - Shift shaft "1"
Bends/damage/wear → Replace.
 - Shift lever spring "2"
Damage/wear → Replace.
 - Collar "3"
Damage/wear → Replace.



EAS25430

CHECKING THE STOPPER LEVER

1. Check:
 - Stopper lever "1"
Bends/damage → Replace.
Roller turns roughly → Replace the stopper lever.



EAS25450

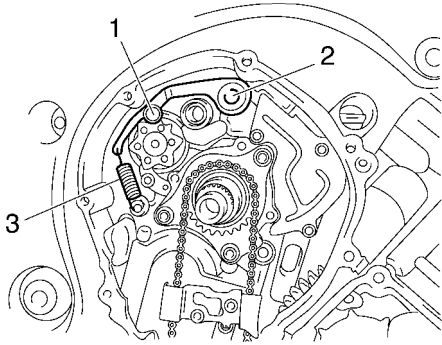
INSTALLING THE SHIFT SHAFT

1. Install:
 - Washer
 - Stopper lever "1"
 - Stopper screw "2"



Stopper screw
22 Nm (2.2 m·kg, 16 ft·lb)
LOCTITE®

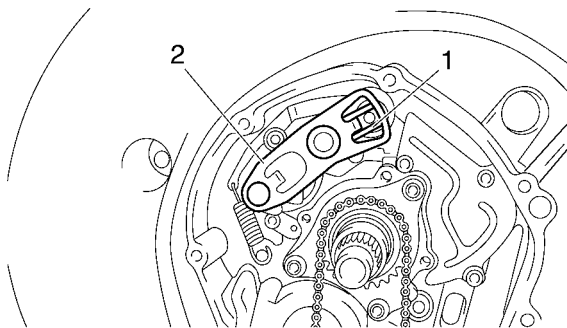
- Stopper lever spring "3"



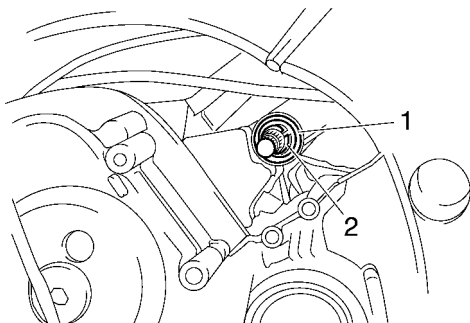
2. Install:
 - Washer
 - Collar
 - Shift shaft spring "1"
 - Shift shaft "2"

NOTE:

- Mesh the stopper lever with the shift drum segment assembly.
- Lubricate the oil seal lips with lithium soap base grease.
- Install the end of the shift shaft spring onto the shift shaft spring stopper.



3. Install:
 - Washer "1"
 - Circlip "2" **New**

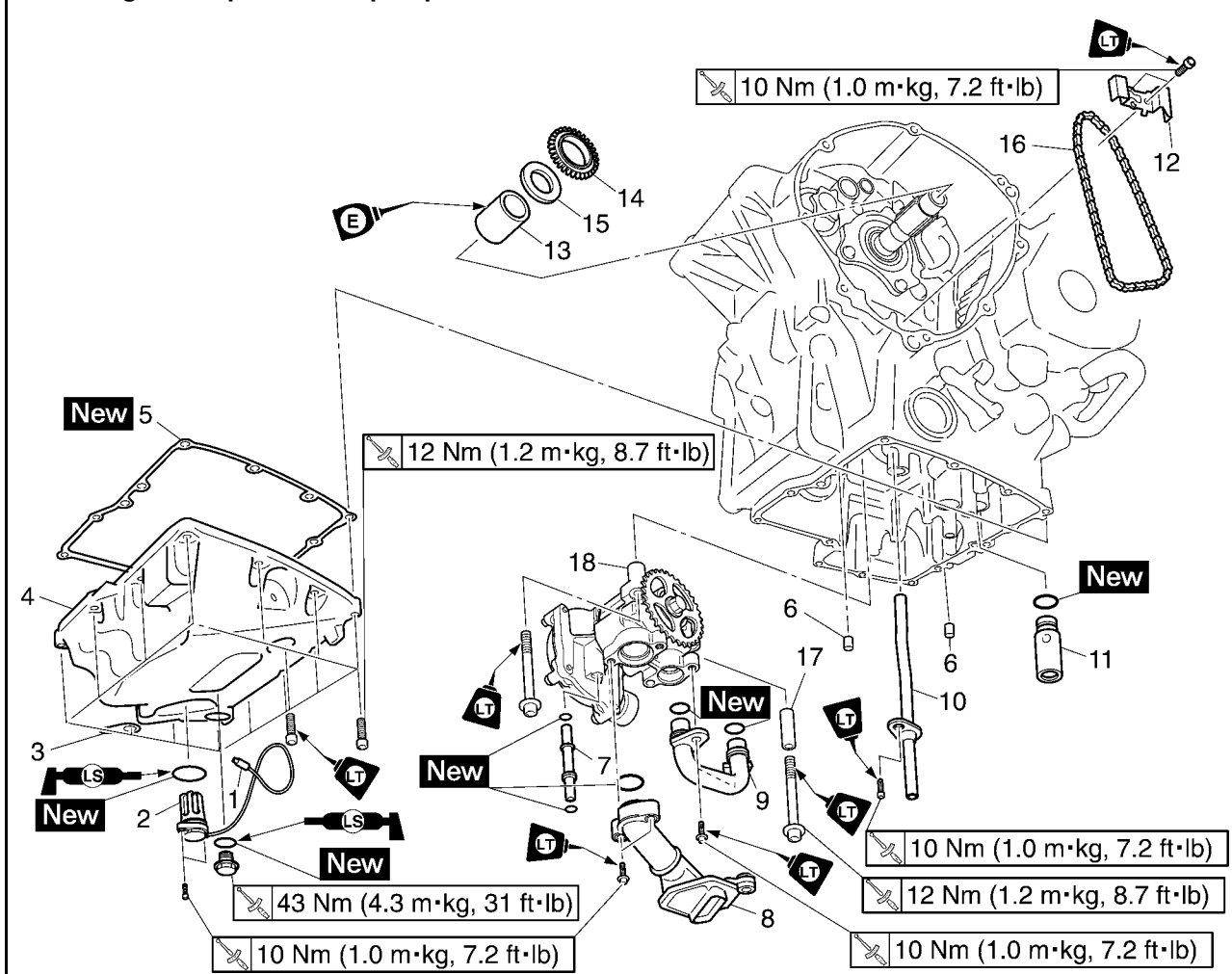


4. Install:
 - Shift rod
 - Shift armRefer to "ENGINE REMOVAL" on page 5-1.
5. Install:
 - Clutch assemblyRefer to "CLUTCH" on page 5-44.

EAS24920

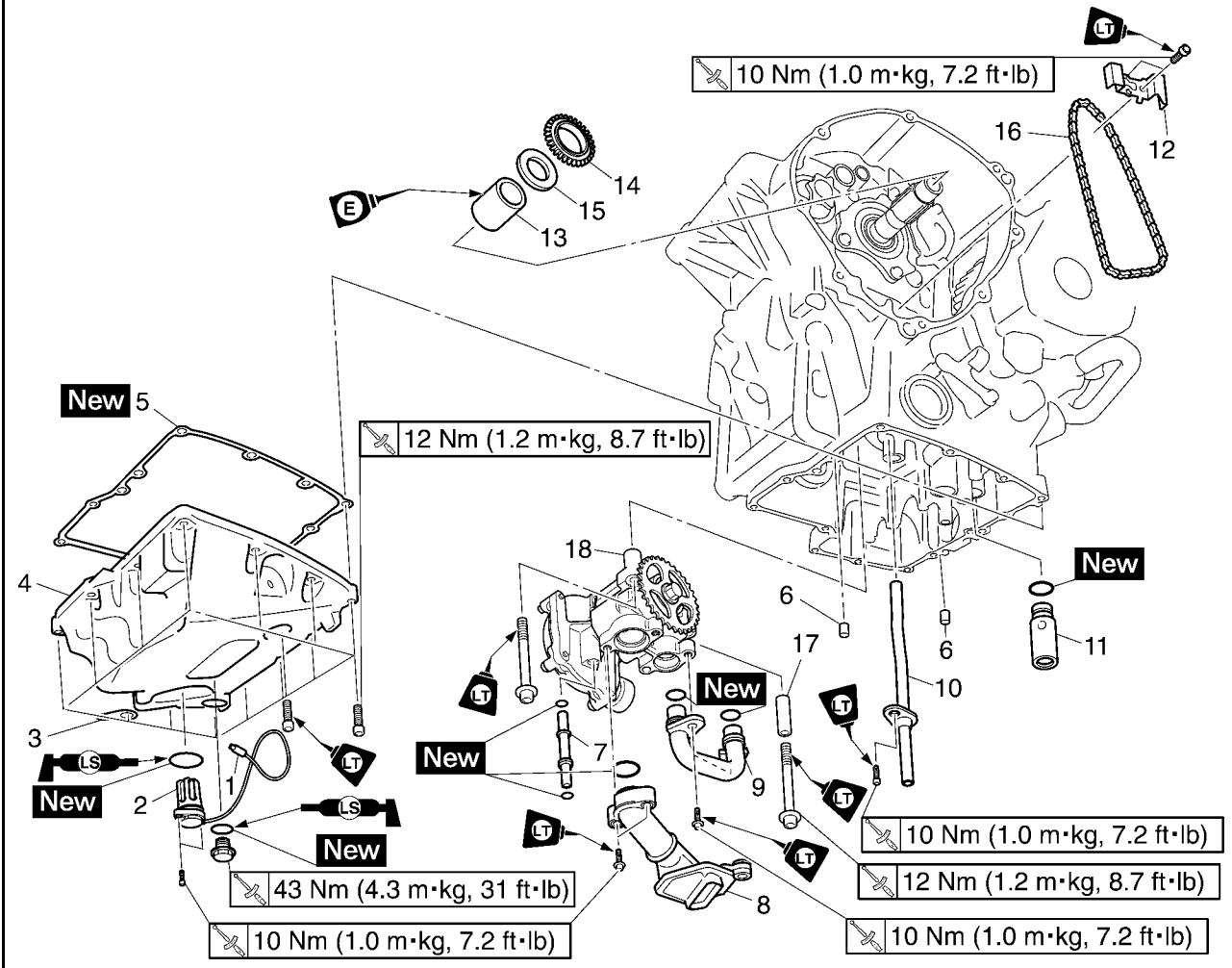
OIL PUMP

Removing the oil pan and oil pump



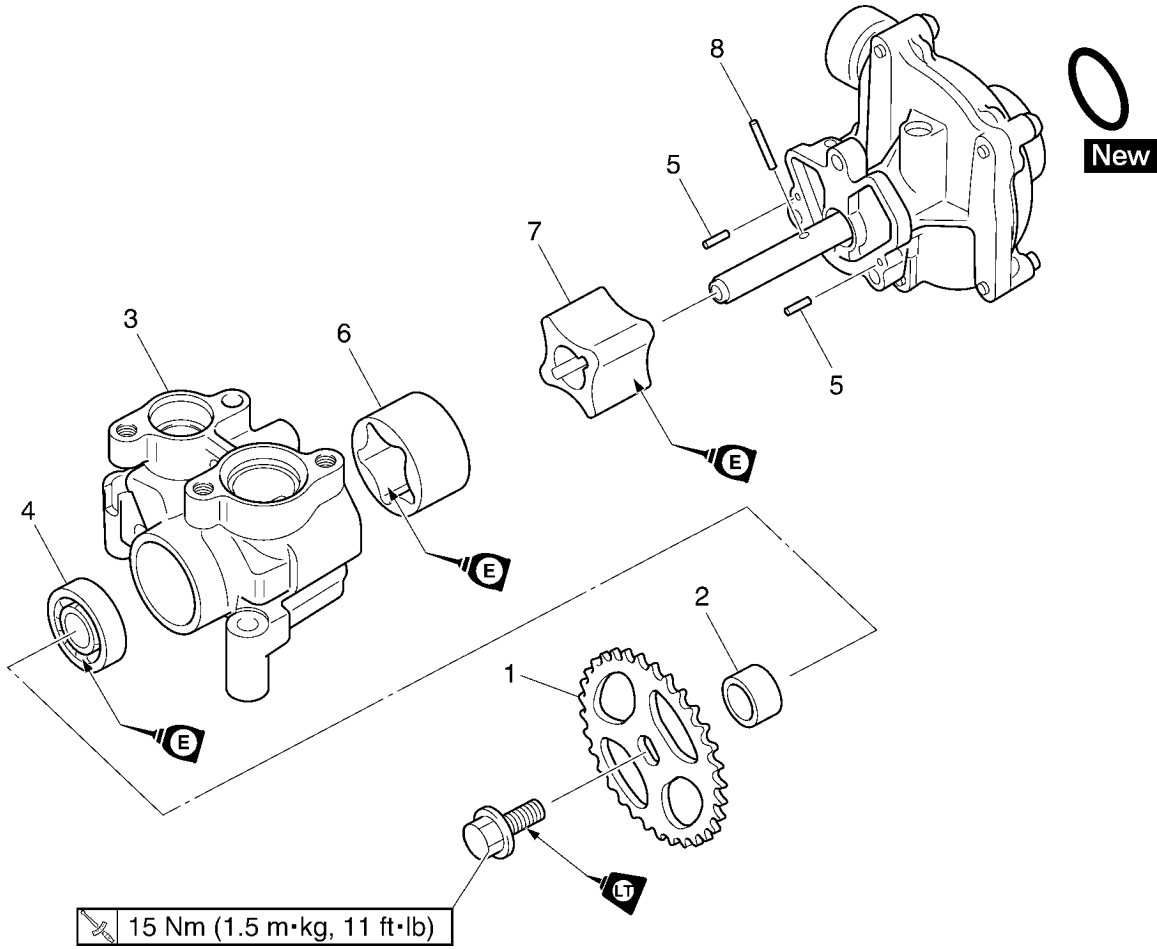
Order	Job/Parts to remove	Q'ty	Remarks
	Side cowlings		Refer to "GENERAL CHASSIS" on page 4-1.
	Lower cowlings		Refer to "GENERAL CHASSIS" on page 4-1.
	Engine oil		Drain. Refer to "CHANGING THE ENGINE OIL" on page 3-11.
	EXUP cables		Refer to "ENGINE REMOVAL" on page 5-1
	O ₂ sensor		Refer to "ENGINE REMOVAL" on page 5-1
	Muffler		Refer to "ENGINE REMOVAL" on page 5-1
	Exhaust pipe assembly		Refer to "ENGINE REMOVAL" on page 5-1
	Clutch assembly		Refer to "CLUTCH" on page 5-44.
	Water pump inlet pipe		Refer to "OIL COOLER" on page 6-4.
	Water pump outlet pipe		Refer to "OIL COOLER" on page 6-4.
1	Oil level switch lead coupler	1	Disconnect.
2	Oil level switch	1	
3	Oil level switch lead holder	1	
4	Oil pan	1	
5	Oil pan gasket	1	
6	Dowel pin	1	
7	Drain pipe	2	

Removing the oil pan and oil pump



Order	Job/Parts to remove	Q'ty	Remarks
8	Oil strainer	1	
9	Oil pipe	1	
10	Oil delivery pipe	1	
11	Relief valve assembly	1	
12	Oil/water pump assembly drive chain guide	1	
13	Collar	1	
14	Oil/water pump assembly drive sprocket	1	
15	Washer	1	
16	Oil/water pump assembly drive chain	1	
17	Dowel pin	1	
18	Oil/water pump assembly	1	
			For installation, reverse the removal procedure.

Disassembling the oil pump



Order	Job/Parts to remove	Q'ty	Remarks
1	Oil/water pump driven sprocket	1	
2	Collar	1	
3	Oil pump housing	1	
4	Bearing	1	
5	Pin	2	
6	Oil pump outer rotor	1	
7	Oil pump inner rotor	1	
8	Pin	1	
			For assembly, reverse the disassembly procedure.

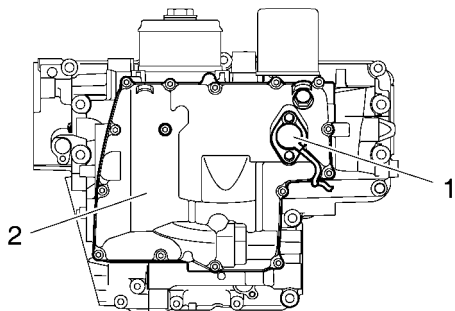
EAS24930

REMOVING THE OIL PAN

1. Remove:
 - Oil level switch "1"
 - Oil pan "2"
 - Gasket
 - Dowel pins

NOTE:

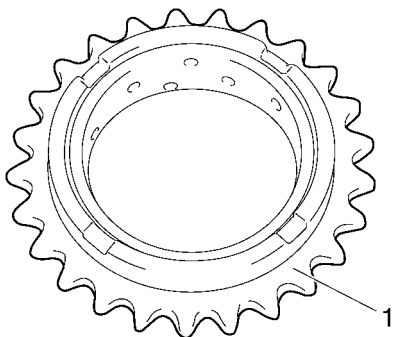
Loosen each bolt 1/4 of a turn at a time, in stages and in a crisscross pattern. After all of the bolts are fully loosened, remove them.



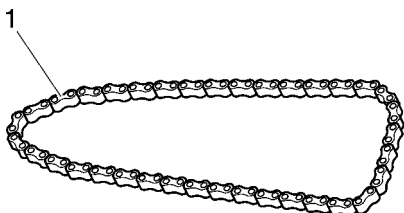
EAS4C81012

CHECKING THE SPROCKET AND CHAIN

1. Check:
 - Oil/water pump assembly drive sprocket "1"
Cracks/damage/wear → Replace the defective part(-s).



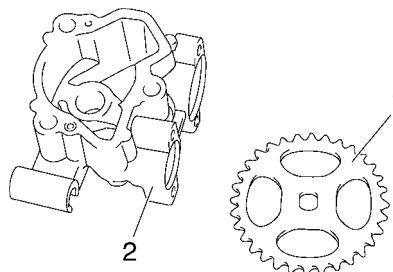
2. Check:
 - Oil/water pump assembly drive chain "1"
Damage/stiffness → Replace the oil/water pump assembly drive chain and oil/water pump assembly drive sprocket as a set.



EAS24960

CHECKING THE OIL PUMP

1. Check:
 - Oil pump driven gear "1"
 - Oil pump housing "2"
Cracks/damage/wear → Replace the defective part(-s).



2. Measure:
 - Inner-rotor-to-outer-rotor-tip clearance "a"
 - Outer-rotor-to-oil-pump-housing clearance "b"
 - Oil-pump-housing-to-inner-rotor-and-outer-rotor clearance "c"
Out of specification → Replace the oil pump.



Inner-rotor-to-outer-rotor-tip clearance

0.010–0.100 mm (0.0004–0.0039 in)

Limit

0.180 mm (0.0071 in)

Outer-rotor-to-oil-pump-housing clearance

0.090–0.190 mm (0.0035–0.0074 in)

Limit

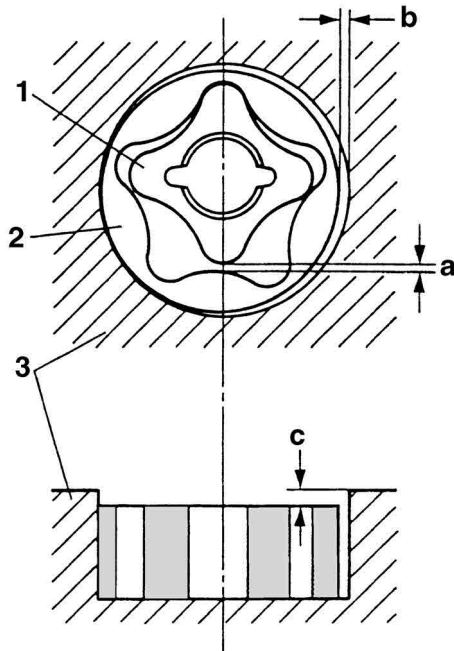
0.220 mm (0.0087 in)

Oil-pump-housing-to-inner-and-outer-rotor clearance

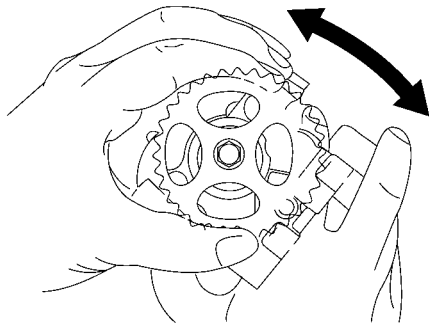
0.06–0.13 mm (0.0024–0.0051 in)

Limit

0.200 mm (0.0079 in)



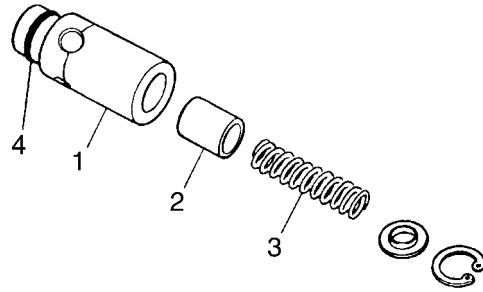
1. Inner rotor
2. Outer rotor
3. Oil pump housing
3. Check:
 - Oil pump operation
 Rough movement → Repeat steps (1) and (2) or replace the defective part(s).



EAS24970

CHECKING THE RELIEF VALVE

1. Check:
 - Relief valve body "1"
 - Relief valve "2"
 - Spring "3"
 - O-ring "4"
 Damage/wear → Replace the defective part(s).

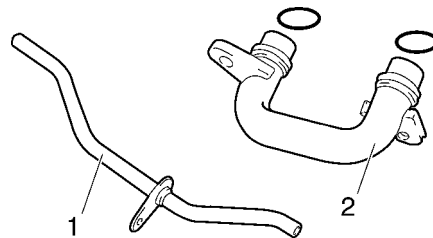


EAS24980

CHECKING THE OIL DELIVERY PIPES

The following procedure applies to all of the oil delivery pipes.

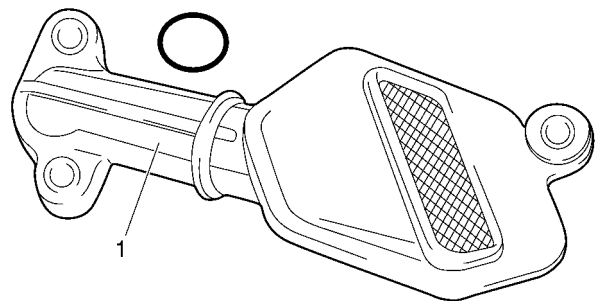
1. Check:
 - Oil delivery pipe "1"
 - Oil pipe "2"
 Damage → Replace.
 Obstruction → Wash and blow out with compressed air.



EAS24990

CHECKING THE OIL STRAINER

1. Check:
 - Oil strainer "1"
 Damage → Replace.
 Contaminants → Clean with solvent.



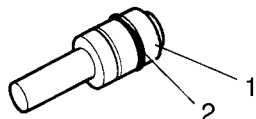
EAS4C81013

CHECKING THE OIL NOZZLES

The following procedure applies to all of the oil nozzles.

1. Check:
 - Oil nozzle "1"
 Damage/wear → Replace the oil nozzles.

- O-ring “2”
Damage/wear → Replace.
- Oil nozzle passage
Obstruction → Blow out with compressed air.



Oil/water pump driven sprocket bolt
15 Nm (1.5 m·kg, 11 ft·lb)
LOCTITE®

NOTE:

5VY mark of the oil/water pump driven gear is installed at oil pump side.

EAS25010

ASSEMBLING THE OIL PUMP

1. Lubricate:

- Inner rotor
- Outer rotor
- Oil pump shaft
(with the recommended lubricant)



Recommended lubricant
Engine oil

2. Install:

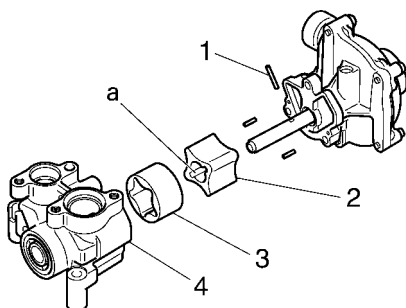
- Pin “1”
- Inner rotor “2”
- Outer rotor “3”
- Oil pump housing “4”



Oil pump housing bolt
10 Nm (1.0 m·kg, 7.2 ft·lb)
LOCTITE®

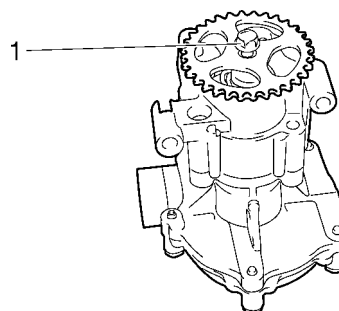
NOTE:

When installing the inner rotor, align the pin “1” in the oil pump shaft with the groove “a” in the inner rotor “2”.



3. Install:

- Oil/water pump driven sprocket “1”



4. Check:

- Oil pump operation
Refer to "CHECKING THE OIL PUMP" on page 5-60.

EAS25030

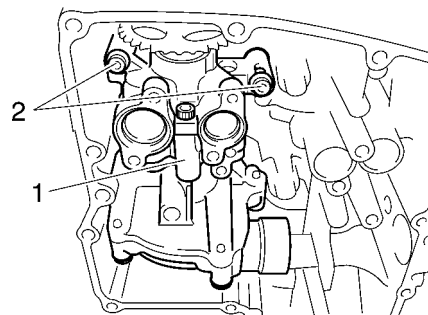
INSTALLING THE OIL/WATER PUMP ASSEMBLY

1. Install:

- Oil ring **New**
- Oil/water pump assembly “1”
- Dowel pin
- Bolts “2”



Oil/water pump assembly bolt
12 Nm (1.2 m·kg, 8.7 ft·lb)
LOCTITE®



2. Install:

- Washer
- Oil/water pump assembly drive chain “1”
- Oil/water pump assembly drive sprocket “2”
- Collar

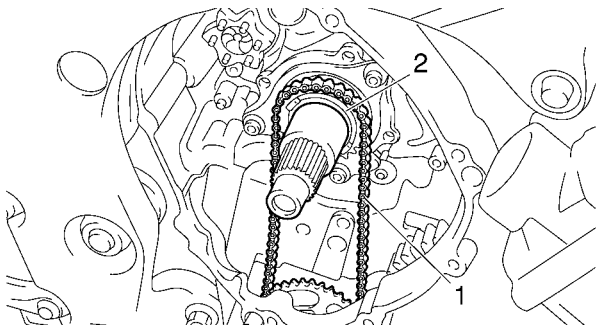
NOTE:

Install the oil/water pump assembly drive chain "1" onto the oil/water pump assembly drive sprocket "2".

ECA4C81007

CAUTION:

After installing the oil/water pump assembly drive chain and drive sprocket, make sure the oil/water pump turns smoothly.



3. Install:

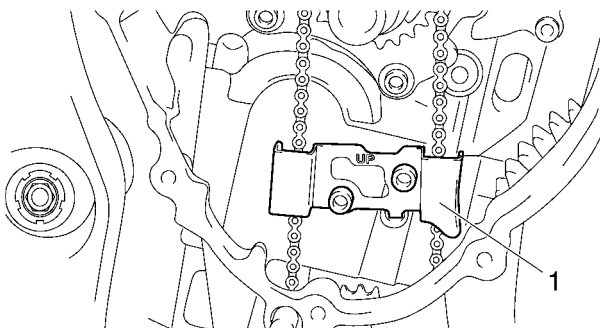
- Oil/water pump assembly drive chain guide "1"



Oil/water pump assembly drive chain guide bolt
 10 Nm (1.0 m·kg, 7.2 ft·lb)
 LOCTITE®

NOTE:

"UP" mark of the oil/water pump assembly drive chain guide is upward.

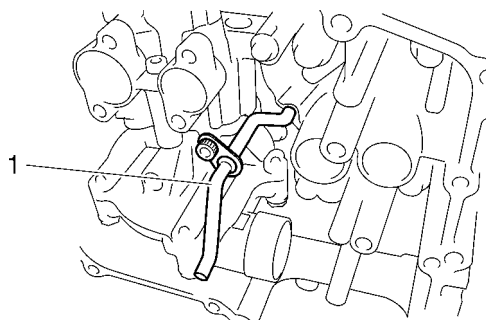


4. Install:

- Oil delivery pipe "1"



Oil delivery pipe bolt
 10 Nm (1.0 m·kg, 7.2 ft·lb)
 LOCTITE®



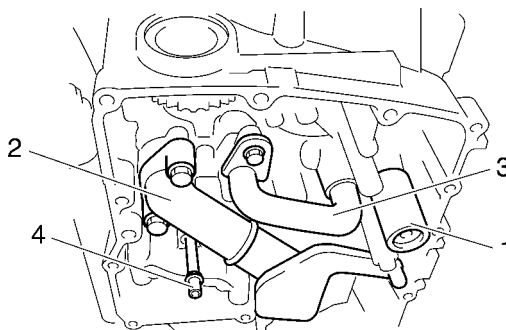
5. Install:

- Relief valve "1"
- O-ring **New**
- Oil strainer "2"



Oil strainer bolt
 10 Nm (1.0 m·kg, 7.2 ft·lb)
 LOCTITE®

- O-ring **New**
- Oil pipe "3"
- O-ring **New**
- Drain pipe "4"
- O-ring **New**



EAS25050

INSTALLING THE OIL PAN

1. Install:

- Dowel pins
- Gasket **New**
- Oil pan "1"



Oil pan bolt
 12 Nm (1.2 m·kg, 8.7 ft·lb)

- Oil level switch "2"



Oil level switch bolt
 10 Nm (1.0 m·kg, 7.2 ft·lb)

- Engine oil drain bolt



Engine oil drain bolt
43 Nm (4.3 m·kg, 31 ft·lb)

EWA12820

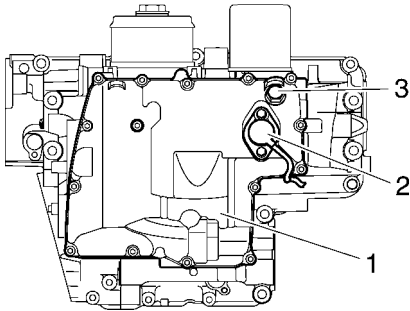


WARNING

Always use new copper washers.

NOTE:

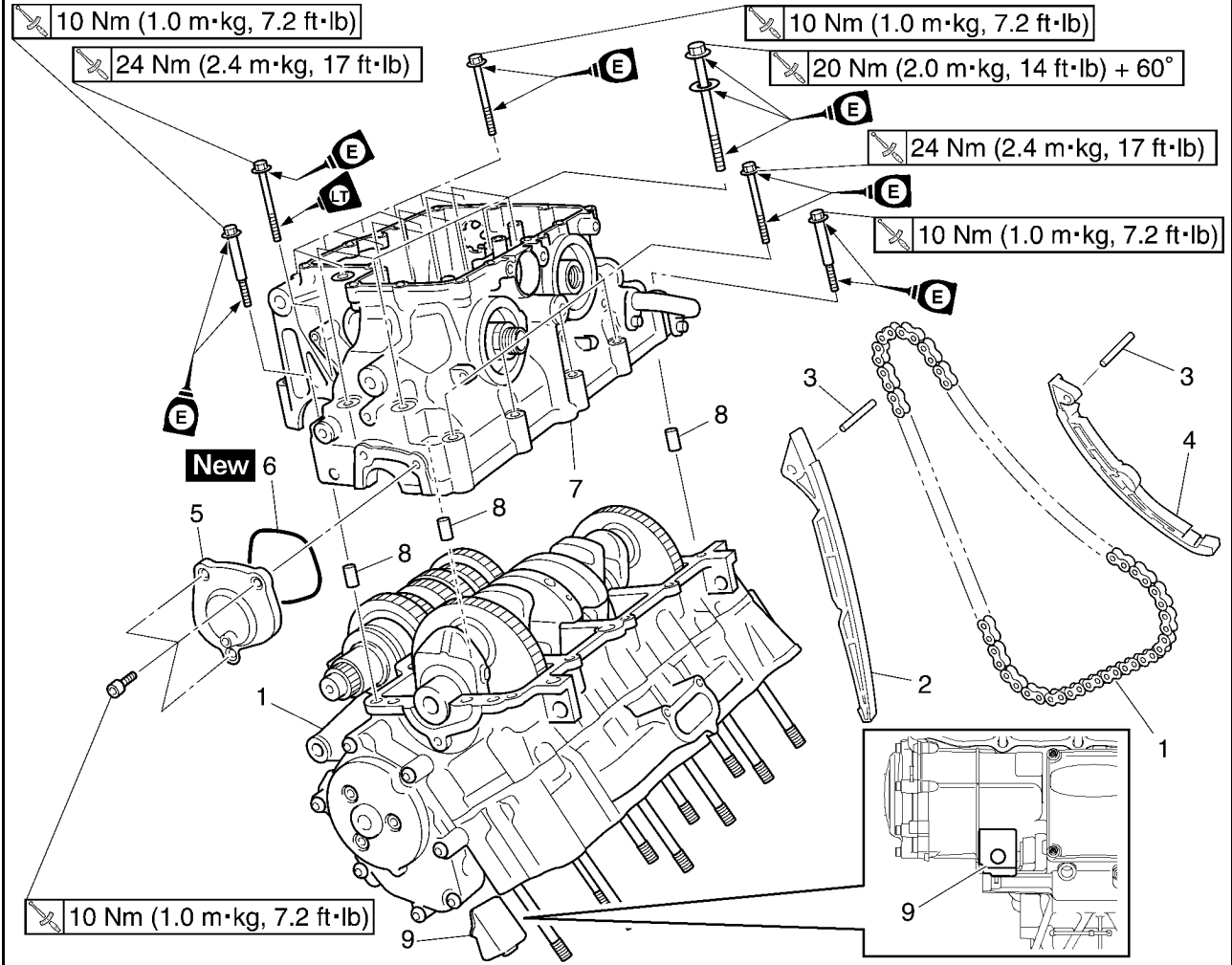
- Tighten the oil pan bolts in stages and in a crisscross pattern.
- Lubricate the oil level switch O-ring with engine oil.



EAS25540

CRANKCASE

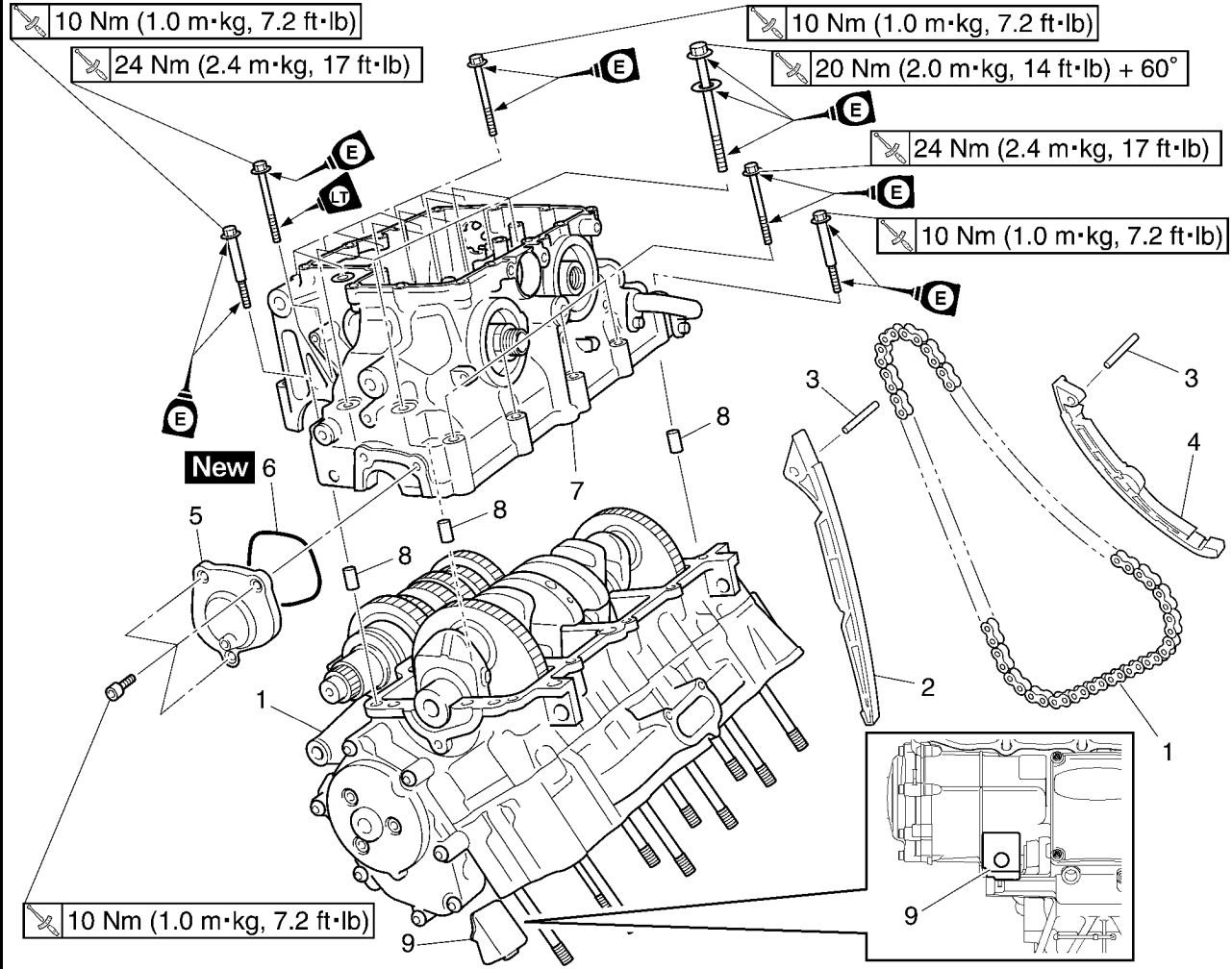
Separating the crankcase



Order	Job/Parts to remove	Q'ty	Remarks
	Air filter case		Refer to "GENERAL CHASSIS" on page 4-1.
	Throttle body assembly		Refer to "THROTTLE BODIES" on page 7-4.
	Engine		Refer to "ENGINE REMOVAL" on page 5-1
	Cylinder head		Refer to "CYLINDER HEAD" on page 5-18.
	Generator		Refer to "GENERATOR" on page 5-30.
	Starter clutch		Refer to "STARTER CLUTCH" on page 5-34.
	Shift shaft		Refer to "SHIFT SHAFT" on page 5-54.
	Crankshaft position sensor		Refer to "CRANKSHAFT POSITION SENSOR" on page 5-37.
	Clutch		Refer to "CLUTCH" on page 5-44.
	Oil pump		Refer to "OIL PUMP" on page 5-57.
	Starter motor		Refer to "ELECTRIC STARTER" on page 5-39.
1	Timing chain	1	
2	Timing chain guide (intake side)	1	
3	Pin	2	
4	Timing chain guide (exhaust side)	1	
5	Left side cover	1	
6	O-ring	1	

CRANKCASE

Separating the crankcase



Order	Job/Parts to remove	Q'ty	Remarks
7	Lower crankcase	1	
8	Dowel pin	3	
9	Damper	1	
			For installation, reverse the removal procedure.

EAS25550

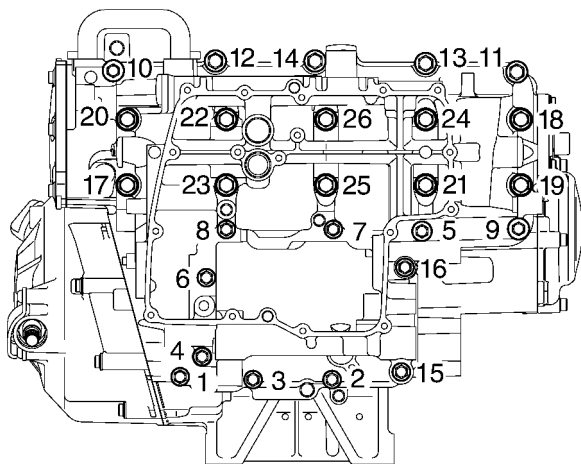
DISASSEMBLING THE CRANKCASE

- Place the engine upside down.
- Remove:
 - Crankcase bolts

NOTE:

- Loosen each bolt 1/4 of a turn at a time, in stages and in a crisscross pattern. After all of the bolts are fully loosened, remove them.
- Loosen the bolts in decreasing numerical order (refer to the numbers in the illustration).
- The numbers embossed on the crankcase indicate the crankcase tightening sequence.

- M6 × 50 mm (2.0 in) bolts: "1", "7"
 M6 × 60 mm (2.4 in) bolts: "2", "3"
 M6 × 70 mm (2.8 in) bolts: "4", "6", "8"
 M6 × 60 mm (2.4 in) bolt and washer: "5"
 M6 × 65 mm (2.5 in) bolts: "9", "10"
 M8 × 60 mm (2.4 in) bolts: "11", "15"
 M8 × 50 mm (2.0 in) bolts: "12" – "14"
 M8 × 60 mm (2.4 in) bolt: "16" LOCTITE®
 M9 × 105 mm (4.1 in) bolts: "17" – "26"



- Remove:
 - Lower crankcase

ECA13900

CAUTION:

Tap on one side of the crankcase with a soft-face hammer. Tap only on reinforced portions of the crankcase, not on the crankcase mating surfaces. Work slowly and carefully and make sure the crankcase halves separate evenly.

- Remove:
 - Dowel pins
- Remove:
 - Crankshaft journal lower bearing (from the lower crankcase)

NOTE:

Identify the position of each crankshaft journal lower bearing so that it can be reinstalled in its original place.

EAS25580

CHECKING THE CRANKCASE

- Thoroughly wash the crankcase halves in a mild solvent.
- Thoroughly clean all the gasket surfaces and crankcase mating surfaces.
- Check:
 - Crankcase
Cracks/damage → Replace.
 - Oil delivery passages
Obstruction → Blow out with compressed air.

EAS4C81014

CHECKING THE BEARING AND OIL SEALS

- Check:
 - Bearings
Clean and lubricate the bearings, then rotate the inner race with your finger. Rough movement → Replace.
- Check:
 - Oil seals
Damage/wear → Replace.

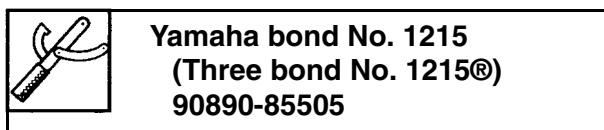
EAS25650

ASSEMBLING THE CRANKCASE

- Lubricate:
 - Crankshaft journal bearings (with the recommended lubricant)

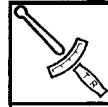
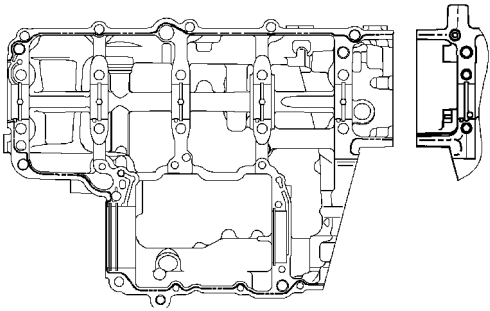


- Apply:
 - Sealant



NOTE:

Do not allow any sealant to come into contact with the oil gallery or crankshaft journal bearings. Do not apply sealant to within 2–3 mm (0.08–0.12 in) of the crankshaft journal bearings.



Crankcase bolt

Bolt "1" – "10"

1st: 20 Nm (2.0 m·kg, 14 ft·lb)

2nd*: 20 Nm (2.0 m·kg, 14 ft·lb)

3rd: +60°

Bolt "11" – "16"

24 Nm (2.4 m·kg, 17 ft·lb)

Bolt "17" – "26"

10 Nm (1.0 m·kg, 7.2 ft·lb)

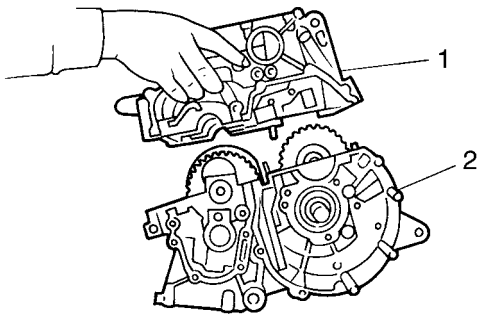
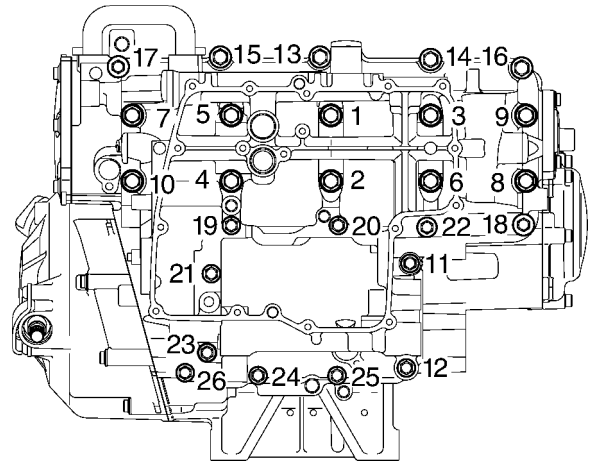
3. Install:
 - Dowel pin
4. Set the shift drum assembly and transmission gears in the neutral position.
5. Install:
 - Lower crankcase "1" (onto the upper crankcase "2")

ECA13980

CAUTION:

Before tightening the crankcase bolts, make sure the transmission gears shift correctly when the shift drum assembly is turned by hand.

*Following the tightening order, loosen the bolt one by one and then retighten it to the specific torque.



6. Install:
 - Crankcase bolts

NOTE:

- Lubricate the bolt threads with engine oil.
- Install a washer on bolts "1" – "10" and "22".
- Seal bolt "18"
- Tighten the bolts in the tightening sequence cast on the crankcase.

M9 × 105 mm (4.1 in) bolts: "1" – "10"

M8 × 60 mm (2.4 in) bolt: "11" LOCTITE®

M8 × 60 mm (2.4 in) bolts: "12", "16"

M8 × 50 mm (2.0 in) bolts: "13" – "15"

M6 × 65 mm (2.5 in) bolts: "17", "18"

M6 × 70 mm (2.8 in) bolts: "19", "21", "23"

M6 × 50 mm (2.0 in) bolts: "20", "26"

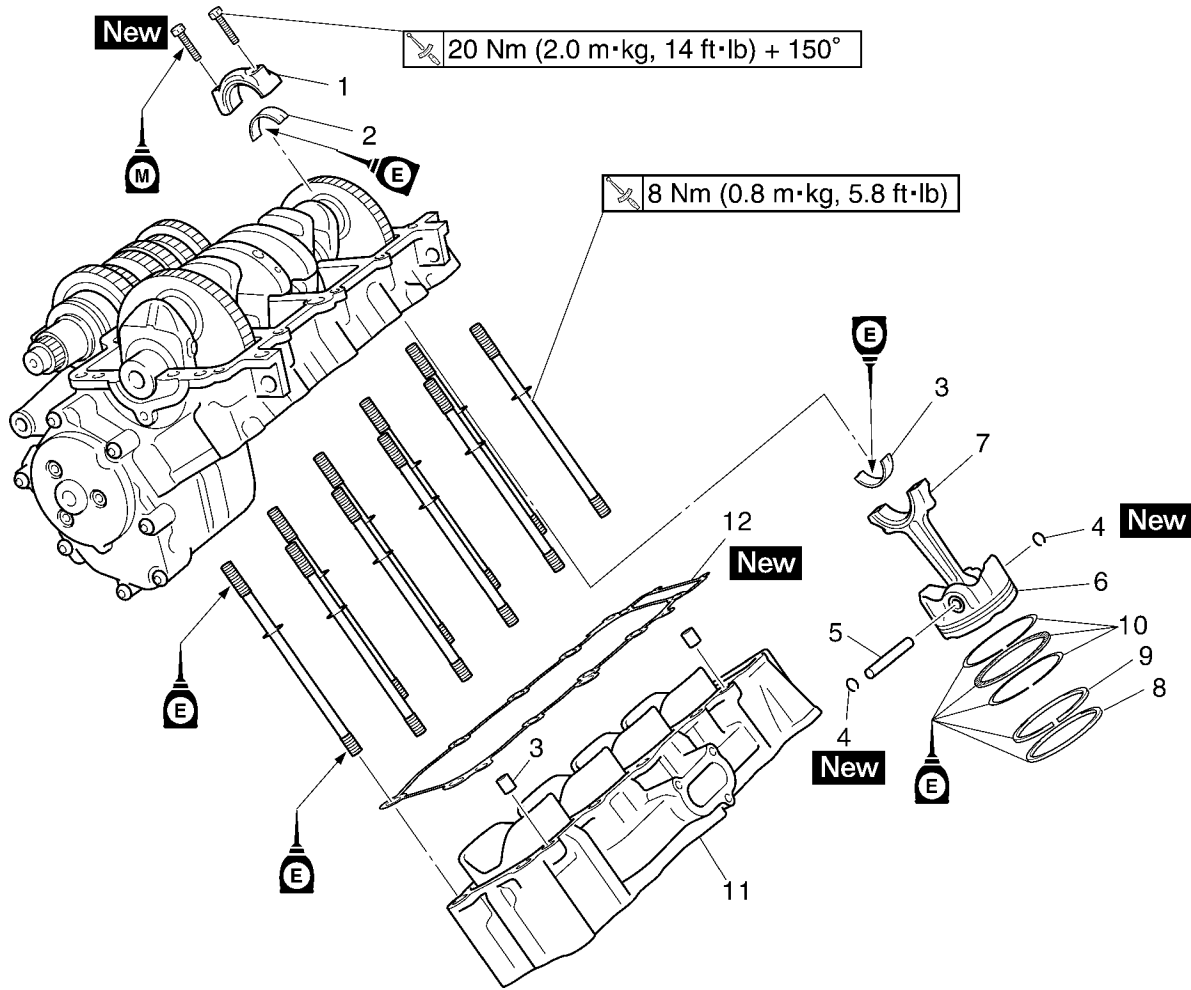
M6 × 60 mm (2.4 in) bolt and washer: "22"

M6 × 60 mm (2.4 in) bolts: "24", "25"

EAS25960

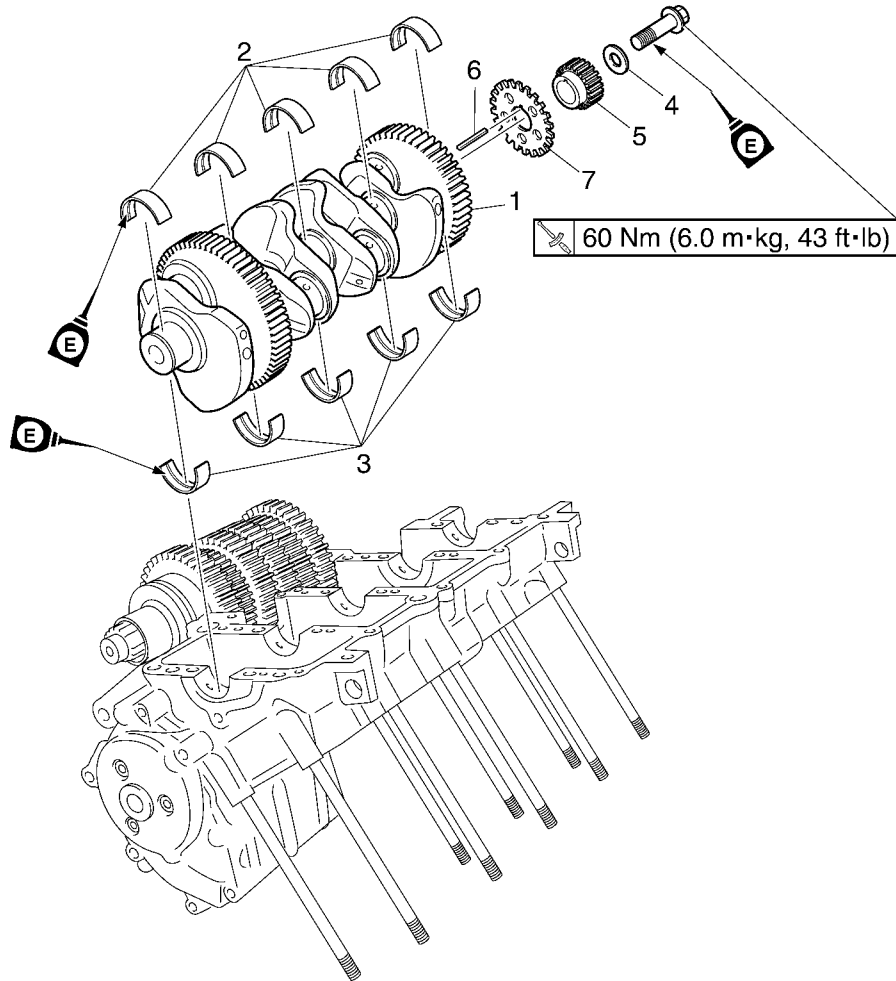
CRANKSHAFT

Removing the connecting rods and pistons



Order	Job/Parts to remove	Q'ty	Remarks
	Lower crankcase		Refer to "CRANKCASE" on page 5-65.
1	Connecting rod cap	4	
2	Big end lower bearing	4	
3	Big end upper bearing	4	
4	Piston pin clip	8	
5	Piston pin	4	
6	Piston	4	
7	Connecting rod	4	
8	Top ring	4	
9	2nd ring	4	
10	Oil ring	4	
11	Cylinder	1	
12	Cylinder gasket	1	
			For installation, reverse the removal procedure.

Removing the crankshaft



Order	Job/Parts to remove	Q'ty	Remarks
	Lower crankcase		Refer to "CRANKCASE" on page 5-65.
	Connecting rod and connecting rod caps		Refer to "REMOVING THE CONNECTING RODS AND PISTONS" on page 5-71.
1	Crankshaft	1	
2	Crankshaft journal lower bearing	5	
3	Crankshaft journal upper bearing	5	
4	Washer	1	
5	Crankshaft drive gear	1	
6	Pin	1	
7	Pickup rotor	1	
			For installation, reverse the removal procedure.

EAS26030

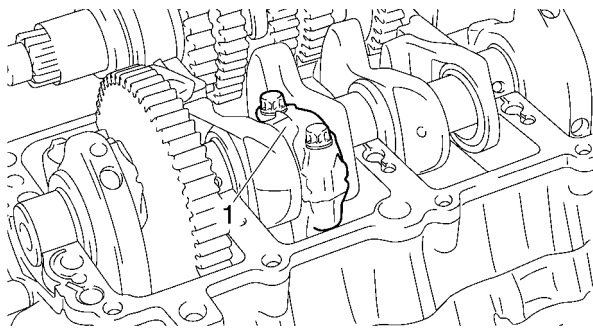
REMOVING THE CONNECTING RODS AND PISTONS

The following procedure applies to all of the connecting rods and pistons.

1. Remove:
 - Connecting rod cap "1"
 - Big end bearings

NOTE:

- Identify the position of each big end bearing so that it can be reinstalled in its original place.
- After removing the connecting rods and connecting rod caps, care should be taken not to damage the mating surfaces of the connecting rods and connecting rod caps.



2. Remove:
 - Cylinder
 - Cylinder gasket
 - Cylinder stud bolts
3. Remove:
 - Piston pin clips "1"
 - Piston pin "2"
 - Piston "3"

ECA4C81008

CAUTION:

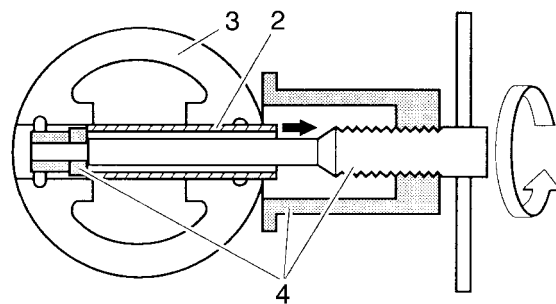
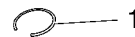
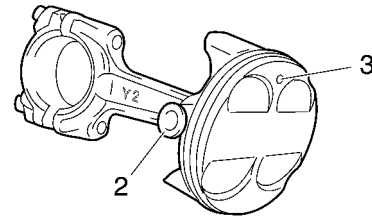
Do not use a hammer to drive the piston pin out.

NOTE:

- For reference during installation, put identification marks on the piston crown.
- Before removing the piston pin, deburr the piston pin clip groove and the piston pin bore area. If both areas are debarred and the piston pin is still difficult to remove, remove it with the piston pin puller set "4".



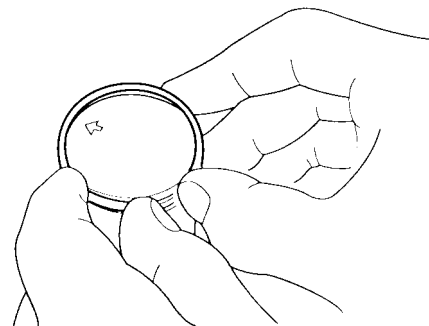
**Piston pin puller set
90890-01304
Piston pin puller
YU-01304**



4. Remove:
 - Top ring
 - 2nd ring
 - Oil ring

NOTE:

When removing a piston ring, open the end gap with your fingers and lift the other side of the ring over the piston crown.



EAS25980

REMOVING THE CRANKSHAFT ASSEMBLY

1. Remove:
 - Crankshaft assembly "1"
 - Crankshaft journal upper bearings (from the upper crankcase)

Refer to "CRANKSHAFT" on page 5-69.

NOTE:

Identify the position of each crankshaft journal upper bearing so that it can be reinstalled in its original place.

EAS24390

CHECKING THE CYLINDER AND PISTON

1. Check:

- Piston wall
- Cylinder wall

Vertical scratches → Rebore or replace the cylinder, and replace the piston and piston rings as a set.

2. Measure:

- Piston-to-cylinder clearance



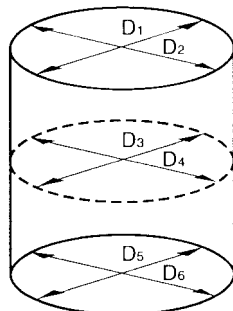
- a. Measure cylinder bore “C” with the cylinder bore gauge.

NOTE:

Measure cylinder bore “C” by taking side-to-side and front-to-back measurements of the cylinder. Then, find the average of the measurements.

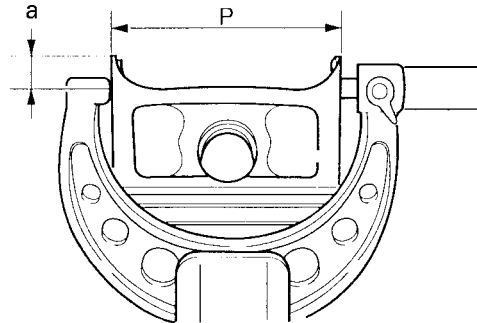
	Bore	77.000–77.010 mm (3.0315–3.0319 in)
	Wear limit	77.060 mm (3.0339 in)
	Taper limit “T”	0.050 mm (0.0020 in)
	Out of round limit “R”	0.050 mm (0.0020 in)

“C” = maximum of D ₁ –D ₂
“T” = maximum of D ₁ or D ₂ - maximum of D ₅ or D ₆
“R” = maximum of D ₁ , D ₃ or D ₅ - minimum of D ₂ , D ₄ or D ₆



- b. If out of specification, rebore or replace the cylinder, and replace the piston and piston rings as a set.
- c. Measure piston skirt diameter “P” with the micrometer.

	Piston size “P”
	Standard
	76.975–76.990 mm (3.0305–3.0311 in)



- a. 12 mm (0.47 in) from the bottom edge of the piston
- d. If out of specification, replace the piston and piston rings as a set.
- e. Calculate the piston-to-cylinder clearance with the following formula.

Piston-to-cylinder clearance = Cylinder bore “C” - Piston skirt diameter “P”
--

	Piston-to-cylinder clearance
	0.010–0.035 mm (0.0004–0.0014 in)
	Limit
	0.120 mm (0.0047 in)

- f. If out of specification, rebore or replace the cylinder, and replace the piston and piston rings as a set.



EAS24430

CHECKING THE PISTON RINGS

1. Measure:

- Piston ring side clearance
- Out of specification → Replace the piston and piston rings as a set.

NOTE:

Before measuring the piston ring side clearance, eliminate any carbon deposits from the piston ring grooves and piston rings.



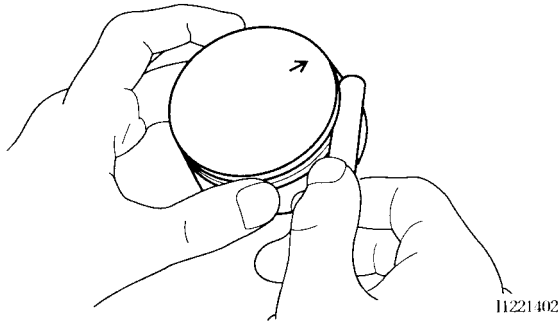
Piston ring side clearance

Top ring
0.030–0.065 mm (0.0012–0.0026 in)

Limit
0.115 mm (0.0045 in)

2nd ring
0.020–0.055 mm (0.0008–0.0022 in)

Limit
0.115 mm (0.0045 in)

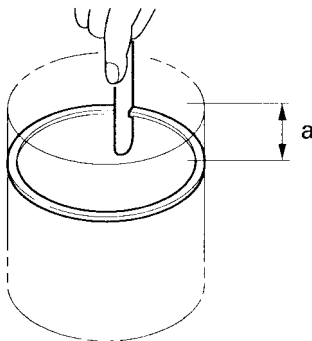


11221402

2. Install:
 - Piston ring (into the cylinder)

NOTE:

Level the piston ring into the cylinder with the piston crown.



11221401

- a. 5 mm (0.20 in)
3. Measure:
 - Piston ring end gap
Out of specification → Replace the piston ring.

NOTE:

The oil ring expander spacer's end gap cannot be measured. If the oil ring rail's gap is excessive, replace all three piston rings.



Piston ring end gap

Top ring
0.15–0.25 mm (0.0059–0.0098 in)

Limit
0.50 mm (0.0197 in)

2nd ring
0.30–0.45 mm (0.0118–0.0177 in)

Limit
0.80 mm (0.0315 in)

Oil ring
0.10–0.40 mm (0.0039–0.0157 in)

EAS24440

CHECKING THE PISTON PIN

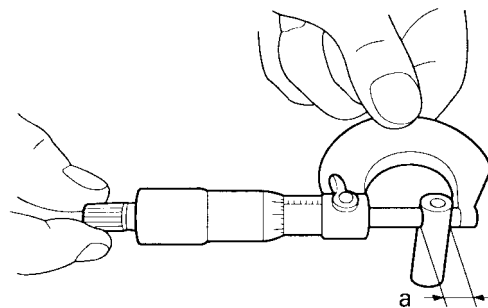
1. Check:
 - Piston pin
Blue discoloration/grooves → Replace the piston pin and then check the lubrication system.
2. Measure:
 - Piston pin outside diameter "a"
Out of specification → Replace the piston pin.



Piston pin outside diameter

16.991–17.000 mm (0.6689–0.6693 in)

Limit
16.971 mm (0.6682 in)



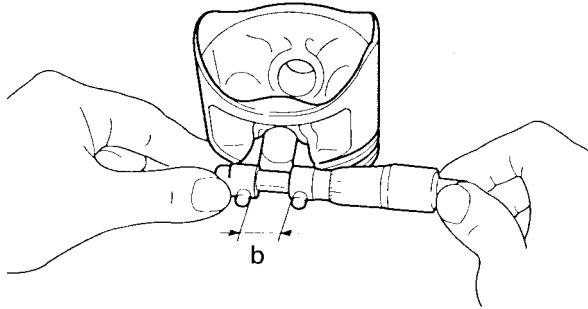
3. Measure:
 - Piston pin bore diameter "b"
Out of specification → Replace the piston.



Piston pin bore inside diameter

17.002–17.013 mm (0.6694–0.6698 in)

Limit
17.043 mm (0.6710 in)



4. Calculate:

- Piston-pin-to-piston-pin-bore clearance
Out of specification → Replace the piston pin and piston as a set.

Piston-pin-to-piston-pin-bore clearance =
Piston pin bore diameter "b" -
Piston pin outside diameter "a"



Piston-pin-to-piston-pin-bore clearance
0.002–0.022 mm (0.0001–0.0009 in)
Limit
0.072 mm (0.0028 in)

EAS4C81015

CHECKING THE BIG END BEARINGS

1. Measure:

- Crankshaft-pin-to-big-end-bearing clearance
Out of specification → Replace the big end bearings.



Crankshaft-pin-to-big-end-bearing clearance
0.034–0.058 mm
(0.0013–0.0023 in)
Limit
0.09 mm (0.0035 in)

The following procedure applies to all of the connecting rods.

ECA14900

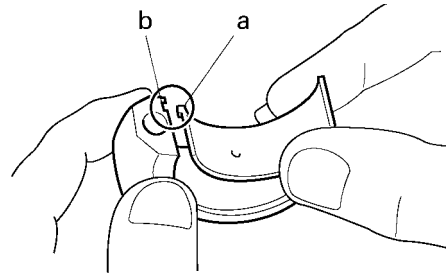
CAUTION:

Do not interchange the big end bearings and connecting rods. To obtain the correct crankshaft-pin-to-big-end-bearing clearance and prevent engine damage, the big end bearings must be installed in their original positions.

- Clean the big end bearings, crankshaft pins, and the inside of the connecting rods halves.
- Install the big end upper bearing into the connecting rod and the big end lower bearing into the connecting rod cap.

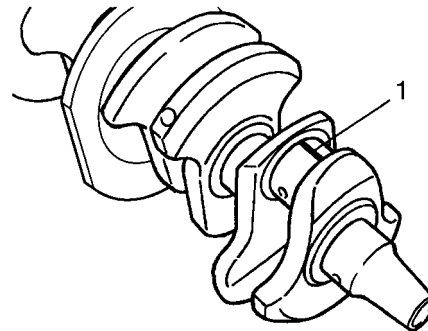
NOTE:

Align the projections "a" on the big end bearings with the notches "b" in the connecting rod and connecting rod cap.



I1630301

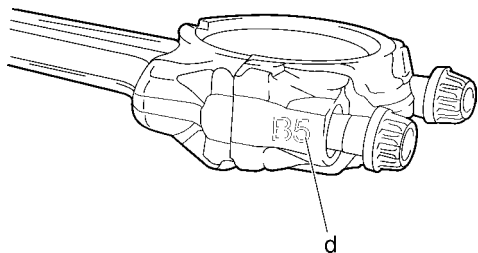
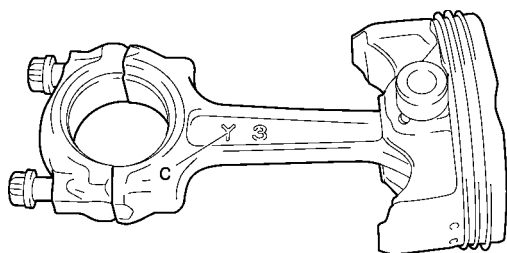
- Put a piece of Plastigauge® "1" on the crankshaft pin.



- Assemble the connecting rod halves.

NOTE:

- Do not move the connecting rod or crankshaft until the clearance measurement has been completed.
- Lubricate the bolt threads with molybdenum disulfide grease.
- Make sure that the "Y" mark "c" on the connecting rod faces towards the left side of the crankshaft.
- Make sure that the characters "d" on both the connecting rod and connecting rod cap are aligned.



e. Tighten the connecting rod bolts.

NOTE:

Install by carrying out the following procedures in order to assemble in the most suitable condition.



Connecting rod bolt
29.4 Nm (3.0 m·kg, 21 ft·lb)

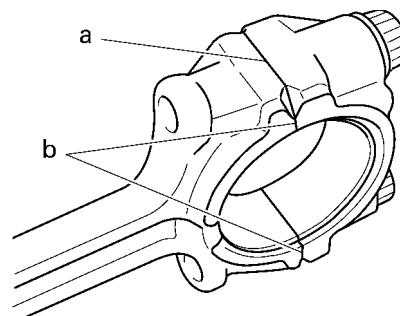
NOTE:

- First, tighten the bolts to 15 Nm (1.5 m·kg, 11 ft·lb).
- Retighten the bolts to 29.4 Nm (3.0 m·kg, 21 ft·lb).

- Replace the connecting rod bolts with new ones.
- Clean the connecting rod bolts.
- After installing big end bearing, assemble the connecting rod and connecting rod cap once using a single unit of the connecting rod.
- Tighten the connecting rod bolt while checking that the sections shown "a" and "b" are flush with each other by touching the surface.
 - Side machined face "a"
 - Thrusting faces (4 places at front and rear) "b"

NOTE:

To install the big end bearing, care should be taken not to install it at an angle and the position should not be out of alignment.



- Loosen the connecting rod bolt, remove the connecting rod and connecting rod cap and install these parts to the crankshaft with the big end bearing kept in the current condition.
- Tighten the connecting rod bolts.



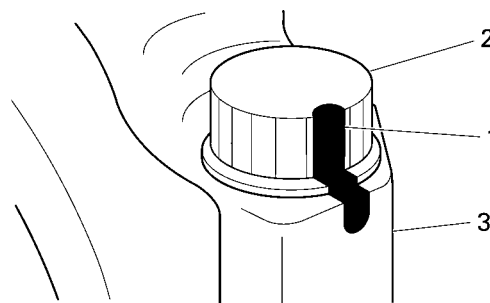
Connecting rod bolt
20 Nm (2.0 m·kg, 14 ft·lb)
+150°

EC2D1082

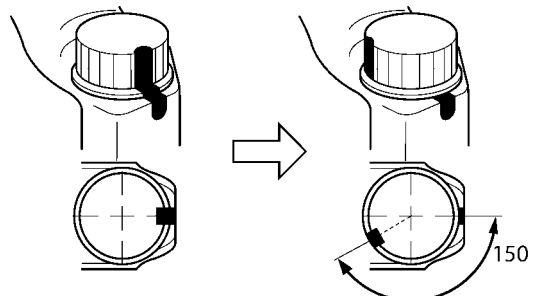
CAUTION:

Tighten the connecting rod bolts using the plastic-region tightening angle method.

- Clean the connecting rod bolts.
- Tighten the connecting rod bolts.
- Put a mark "1" on the corner of the connecting rod bolt "2" and the connecting rod "3".



- Tighten the bolt further to reach the specified angle (150°).



- p. After the installation, check that the section shown “a” is flush with each other by touching the surface.
- Side machined face “a”

EW2D1008

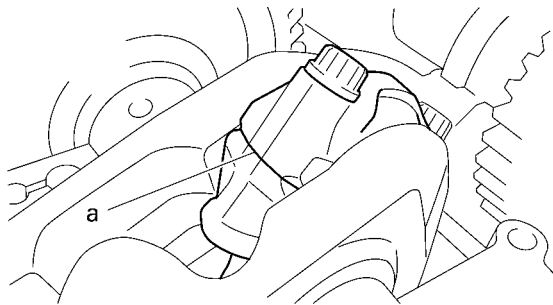
WARNING

- When the bolt is tightened more than the specified angle, do not loosen the bolt and then retighten it. Replace the bolt with a new one and perform the procedure again.
- If they are not flush with each other, remove the connecting rod bolt and big end bearing and restart from step “e”. In this case, make sure to replace the connecting rod bolt.

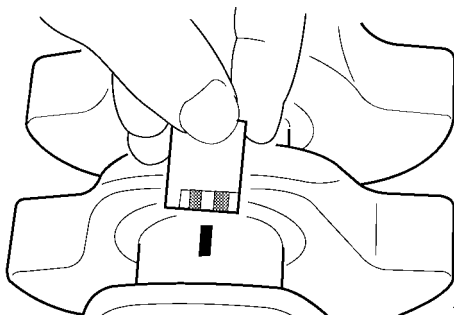
ECA4C81010

CAUTION:

- Do not use a torque wrench to tighten the nut to the specified angle.
- Tighten the bolt until it is at the specified angles.



- q. Remove the connecting rod and big end bearings. Refer to "REMOVING THE CONNECTING RODS AND PISTONS" on page 5-71.
- r. Measure the compressed Plastigauge® width on the crankshaft pin. If the crankshaft-pin-to-big-end-bearing clearance is out of specification, select replacement big end bearings.



11630702

2. Select:
- Big end bearings (P1 – P4)

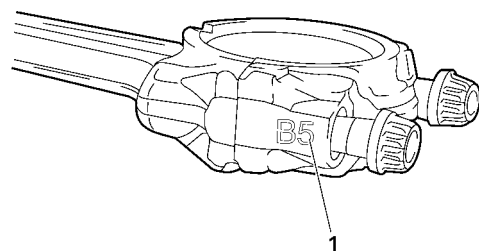
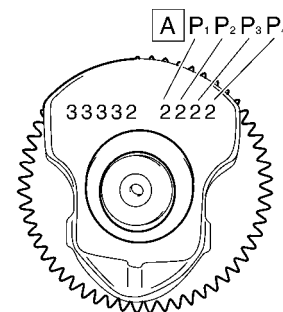
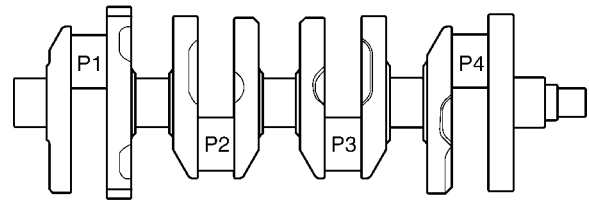
NOTE:

- The numbers “A” stamped into the crankshaft web and the numbers “1” on the connecting rods are used to determine the replacement big end bearings sizes.
- “P1” - “P4” refer to the bearings shown in the crankshaft illustration.

For example, if the connecting rod “P₁” and the crankshaft web “P₁” numbers are “5” and “2” respectively, then the bearing size for “P₁” is:

<p>“P₁” (connecting rod) – “P₁” (crankshaft) = 5 – 2 = 3 (brown)</p>
--

	Bearing color code		
	1.Blue	2.Black	3.Brown
	4.Green		



EAS26190

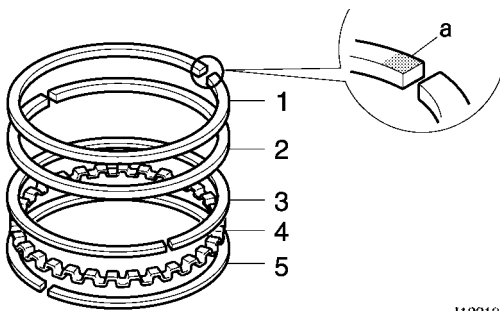
INSTALLING THE CONNECTING ROD AND PISTON

The following procedure applies to all of the connecting rods and pistons.

1. Install:
 - Top ring "1"
 - 2nd ring "2"
 - Oil ring expander "4"
 - Upper oil ring rail "3"
 - Lower oil ring rail "5"

NOTE:

Be sure to install the piston rings so that the manufacturer's marks or numbers "a" face up.

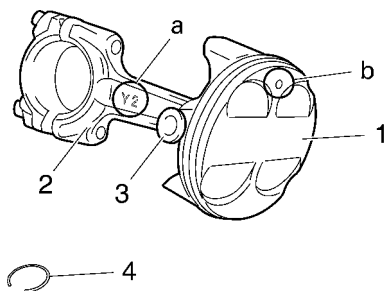


11221301

2. Install:
 - Piston "1"
 - (onto the respective connecting rod "2")
 - Piston pin "3"
 - Piston pin clip "4" **New**

NOTE:

- Apply engine oil onto the piston pin.
- Make sure that the "Y" mark "a" on the connecting rod faces left when the arrow mark "b" on the piston is pointing up as shown.
- Reinstall each piston into its original cylinder (numbering order starting from the left: #1 to #4).

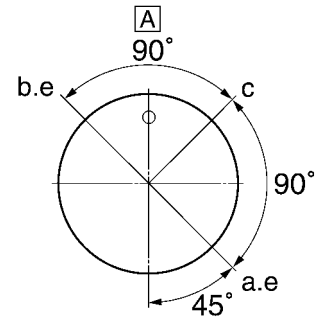


3. Lubricate:
 - Piston
 - Piston rings
 - Cylinder

(with the recommended lubricant)



4. Offset:
 - Piston ring end gaps

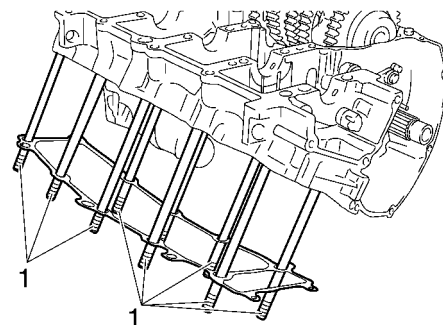
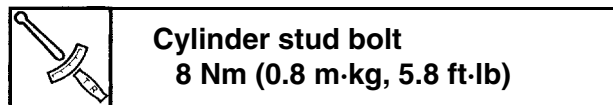


- a. Top ring
- b. Lower oil ring rail
- c. Upper oil ring rail
- d. 2nd ring
- e. Oil ring expander
- A. Exhaust side

5. Lubricate:
 - Crankshaft pins
 - Big end bearings
 - Connecting rod big end inner surface (with the recommended lubricant)

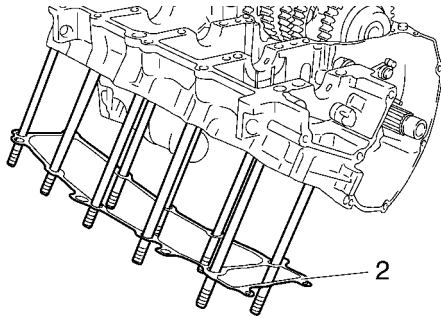


6. Check:
 - Cylinder stud bolts "1"



7. Install:

- Cylinder gasket "2" **New**

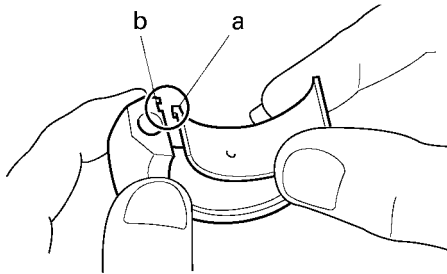


8. Install:

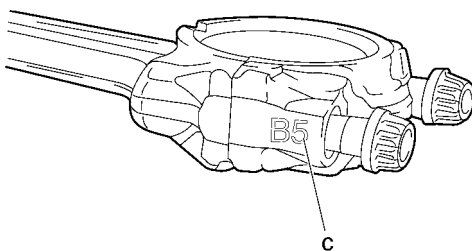
- Big end bearings
(onto the connecting rods and connecting rod caps)

NOTE:

- Align the projections "a" on the big end bearings with the notches "b" in the connecting rods and connecting rod caps.
- Be sure to reinstall each big end bearing in its original place.
- Make sure that the characters "c" on both the connecting rod and connecting rod cap are aligned.



11630301



9. Tighten:

- Connecting rod bolts



Connecting rod bolt
29.4 Nm (3.0 m·kg, 21 ft·lb)

NOTE:

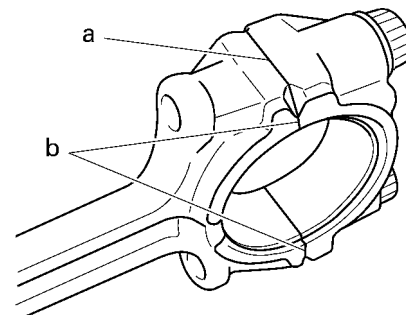
- Install by carrying out the following procedures in order to assemble in the most suitable condition.
- First tighten the bolts to 15 Nm (1.5 m·kg, 11 ft·lb)
- Retighten the bolts to 29.4 Nm (3.0 m·kg, 21 ft·lb)



- Replace the connecting rod bolts with new ones.
- Clean the connecting rod bolts.
- After installing the big end bearing, assemble the connecting rod and connecting rod cap once using a single unit of the connecting rod.
- Tighten the connecting rod bolt while checking that the sections shown "a" and "b" are flush with each other by touching the surface.

NOTE:

To install the big end bearing, care should be taken not to install it at an angle and the position should not be out of alignment.



- Side machined face
 - Thrusting faces (4 places at front and rear)
- e. Loosen the connecting rod bolt, remove the connecting rod and connecting rod cap and install these parts to the crankshaft with the big end bearing kept in the current condition.



10. Install:

- Piston assemblies "1"
(into the cylinder)

NOTE:

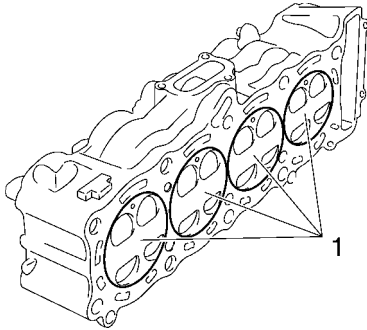
While compressing the piston rings with one hand, install the connecting rod assembly into the cylinder with the other hand.

ECA14980

CAUTION:

Tighten the connecting rod bolts using the plastic-region tightening angle method.

- Clean the connecting rod bolts.
- Tighten the connecting rod bolts.
- Put a mark "1" on the connecting rod bolt "2" and the connecting rod cap "3".

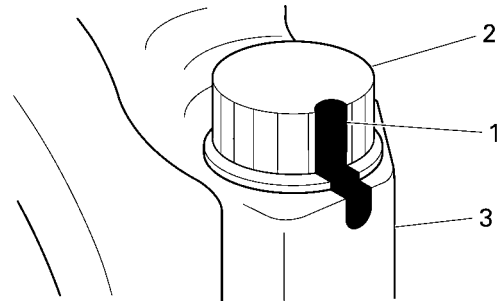


11. Install:

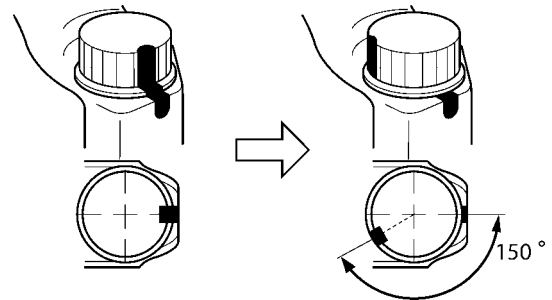
- Cylinder assembly "1"
- Connecting rod caps "2"

NOTE:

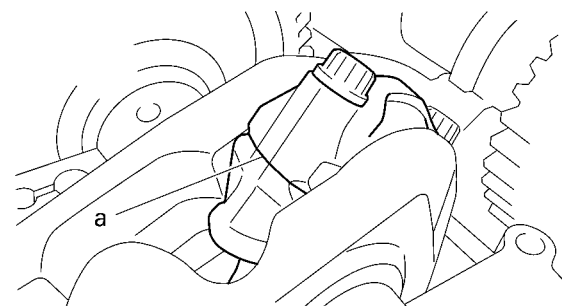
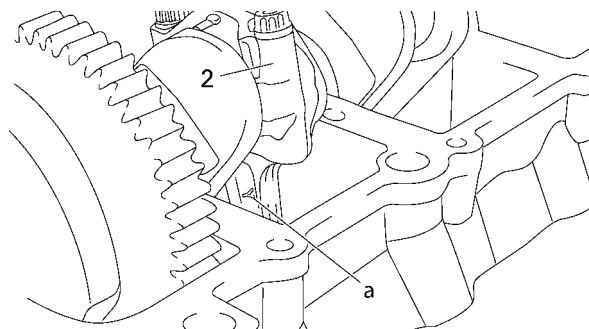
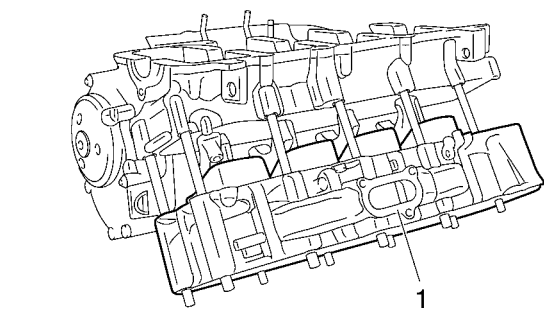
- Make sure that the "Y" marks "a" on the connecting rods face towards the left side of the crankshaft.
- Make sure that the characters on both the connecting rod and connecting rod cap are aligned.



- Tighten the bolt further to reach the specified angle (150°).



- After the installation, check that the section shown "a" is flush with each other by touching the surface.



12. Tighten:

- Connecting rod bolts



**Connecting rod bolt
20 Nm (2.0 m·kg, 14 ft·lb)+150°**

- Side machined face

EWA13990

WARNING

- When the bolt is tightened more than the specified angle, do not loosen the bolt and then retighten it. Replace the bolt with a new one and perform the procedure again.

- If they are not flush with each other, remove the connecting rod bolt and big end bearing and restart from step “9”. In this case, make sure to replace the connecting rod bolt.

ECA14680

CAUTION:

- Do not use a torque wrench to tighten the bolt to the specified angle.
- Tighten the bolt until it is at the specified angles.



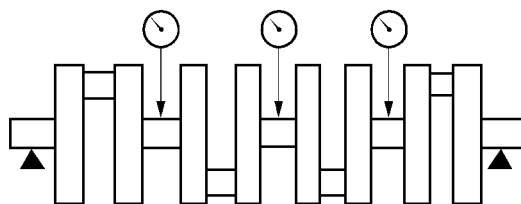
EAS4C81016

CHECKING THE CRANKSHAFT

1. Measure:

- Crankshaft runout
Out of specification → Replace the crankshaft.

	<p>Crankshaft runout Less than 0.03 mm (0.0012 in)</p>
--	---



11631006

2. Check:

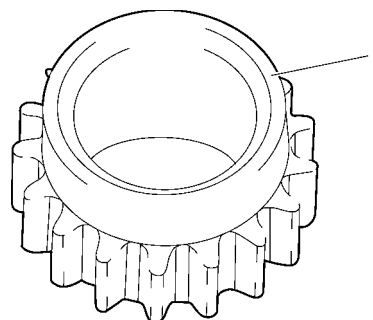
- Crankshaft journal surfaces
- Crankshaft pin surfaces
- Bearing surfaces
Scratches/wear → Replace the crankshaft.

EAS4C81017

CHECKING THE CRANKSHAFT DRIVE SPROCKET

1. Check:

- Crankshaft drive sprocket “1”
Cracks/damage/wear → Replace the defective part(s).



EAS4C81018

CHECKING THE CRANKSHAFT JOURNAL BEARINGS

1. Measure:

- Crankshaft-journal-to-crankshaft-journal bearing clearance
Out of specification → Replace the crankshaft journal bearings.

	<p>Crankshaft-journal-to-crankshaft-journal bearing clearance 0.014-0.037 mm (0.0006-0.0015 in) Limit 0.10 mm (0.0039 in)</p>
--	---

ECA4C81011

CAUTION:

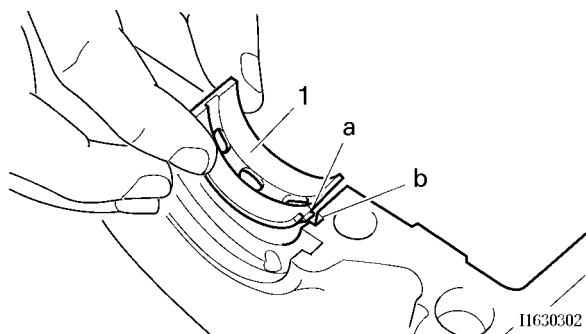
Do not interchange the crankshaft journal bearings. To obtain the correct crankshaft-journal-to-crankshaft-journal bearing clearance and prevent engine damage, the crankshaft journal bearings must be installed in their original positions.



- Clean the crankshaft journal bearings, crankshaft journals, and bearing portions of the crankcase.
- Place the upper crankcase upside down on a bench.
- Install the crankshaft journal upper bearings “1” and the crankshaft into the upper crankcase.

NOTE:

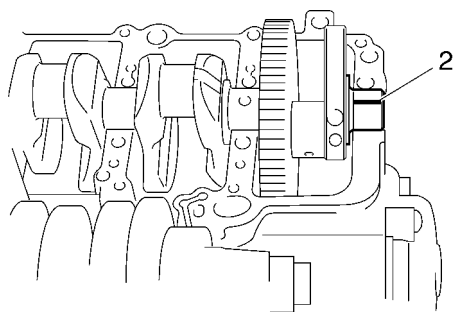
Align the projections “a” on the crankshaft journal upper bearings with the notches “b” in the upper crankcase.



- d. Put a piece of Plastigauge® “2” on each crankshaft journal.

NOTE:

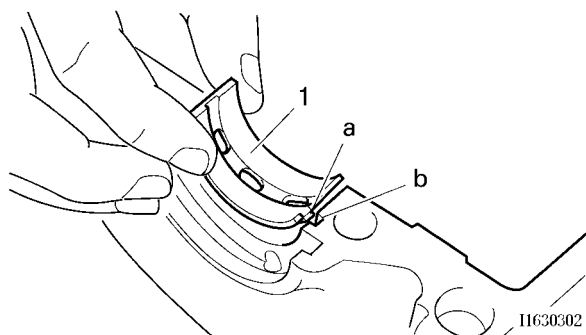
Do not put the Plastigauge® over the oil hole in the crankshaft journal.



- e. Install the crankshaft journal lower bearings “1” into the lower crankcase and assemble the crankcase halves.

NOTE:

- Align the projections “a” of the crankshaft journal lower bearings with the notches “b” in the lower crankcase.
- Do not move the crankshaft until the clearance measurement has been completed.



- f. Tighten the bolts to specification in the tightening sequence cast on the crankcase.



Crankcase bolt

Bolt “1”–“10”

1st: 20 Nm (2.0 m·kg, 14 ft·lb)

2nd: 20 Nm (2.0 m·kg, 14 ft·lb)

3rd: +60°

Bolt “11”–“16”

24 Nm (2.4m·kg, 17 ft·lb)

Bolt “17”–“26”

10 Nm (1.0m·kg, 7.2 ft·lb)

M9 × 105 mm (4.1 in) bolts: “1”–“10”

M8 × 60 mm (2.4 in) bolt: “11” LOCTITE®

M8 × 60 mm (2.4 in) bolts: “12”, “16”

M8 × 50 mm (2.0 in) bolts: “13”–“15”

M6 × 65 mm (2.5 in) bolts: “17”, “18”

M6 × 70 mm (2.8 in) bolts: “19”, “21”, “23”

M6 × 50 mm (2.0 in) bolts: “20”, “26”

M6 × 60 mm (2.4 in) bolt and washer: “22”

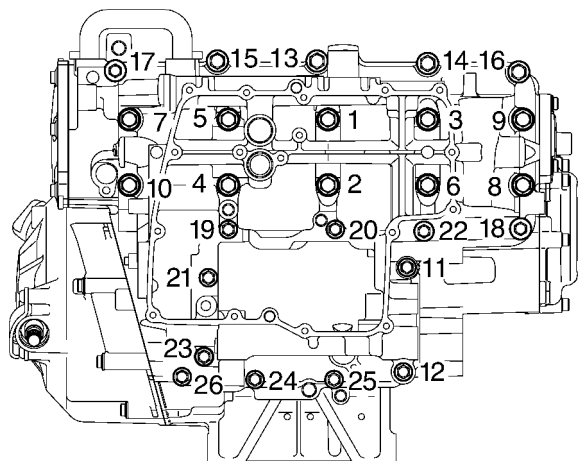
M6 × 60 mm (2.4 in) bolts: “24”, “25”

* Following the tightening order, loosen the bolt one by one and then retighten it to the specific torque.

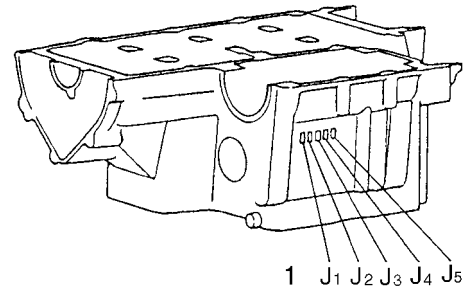
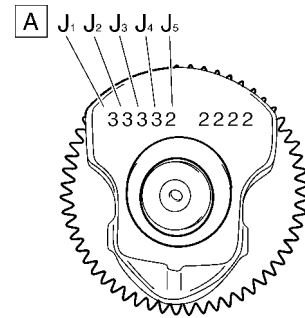
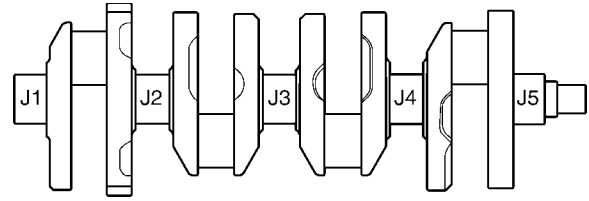
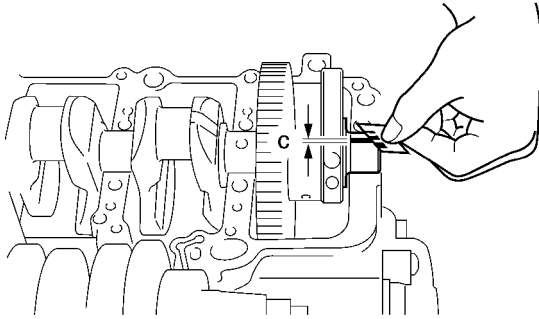
NOTE:

Lubricate the crankcase bolt threads with engine oil.

Refer to "CRANKCASE" on page 5-65.



- g. Remove the lower crankcase and the crankshaft journal lower bearings.
- h. Measure the compressed Plastigauge® width “c” on each crankshaft journal. If the crankshaft-journal-to-crankshaft-journal bearing clearance is out of specification, select replacement crankshaft journal bearings.



2. Select:

- Crankshaft journal bearings (J1–J5)

NOTE:

- The numbers “A” stamped into the crankshaft web and the numbers “1” stamped into the lower crankcase are used to determine the replacement crankshaft journal bearing sizes.
- “J1–J5” refer to the bearings shown in the crankshaft illustration.
- If “J1–J5” are the same, use the same size for all of the bearings.
- If the size is the same for all “J₁ to J₅” one digit for that size is indicated. (Crankcase side only)

For example, if the crankcase “J₁” and crankshaft web “J₁” numbers are “6” and “2” respectively, then the bearing size for “J₁” is:

$\begin{aligned} & \text{“J}_1\text{” (crankcase) – “J}_1\text{”} \\ & \text{(crankshaft web) – 1 =} \\ & 6 - 2 - 1 = 3 \text{ (brown)} \end{aligned}$
--

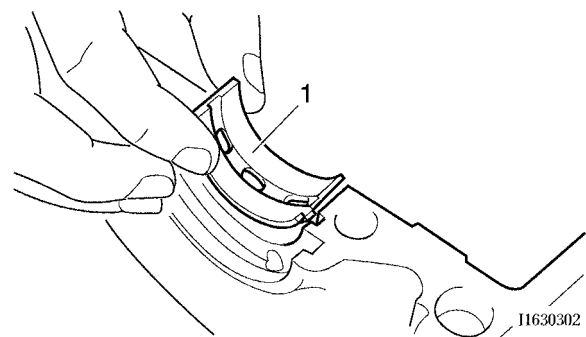
CRANKSHAFT JOURNAL BEARING COLOR CODE	
0	White
1	Blue
2	Black
3	Brown
4	Green

EAS26200

INSTALLING THE CRANKSHAFT

1. Install:

- Crankshaft journal upper bearings “1” (into the upper crankcase)



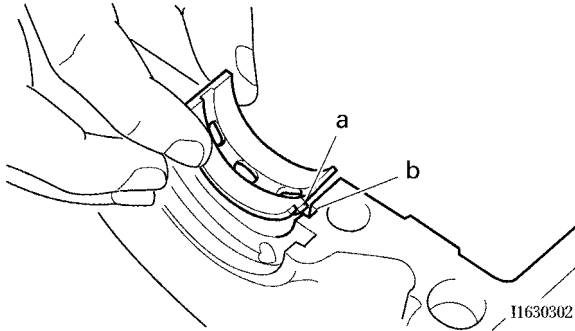
2. Lubricate:

- Crankshaft journal upper bearings (with the recommended lubricant)



NOTE:

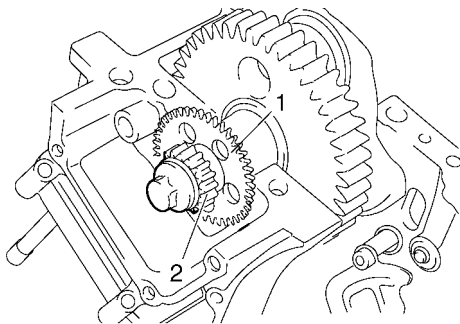
- Align the projections “a” on the crankshaft journal upper bearings with the notches “b” in the upper crankcase.
- Be sure to install each crankshaft journal upper bearing in its original place.



3. Install:
 - Crankshaft
4. Install:
 - Crankcase (lower)
Refer to "CRANKCASE" on page 5-65.
5. Install:
 - Pin
 - Pickup rotor “1”
 - Drive sprocket “2”



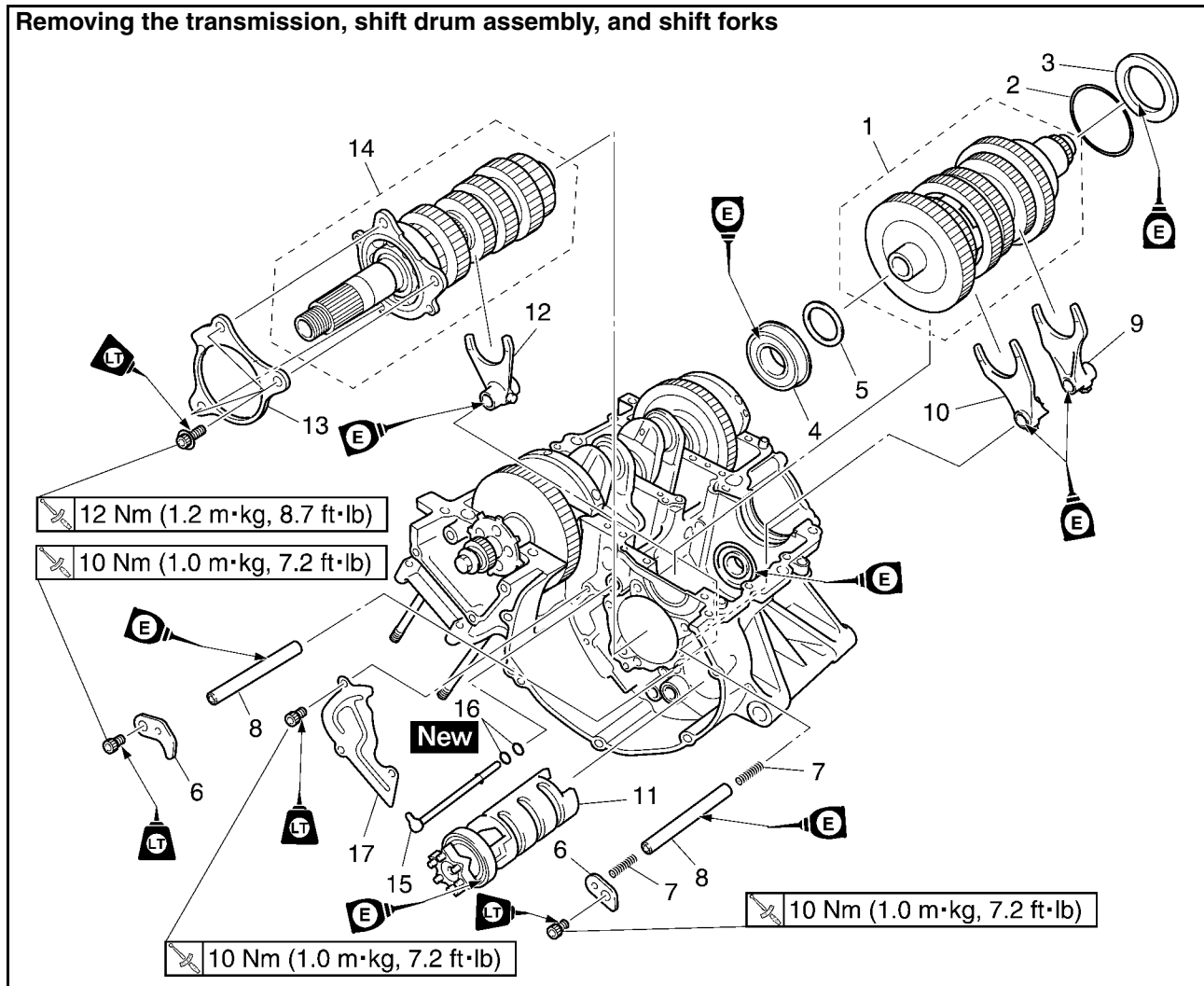
Drive sprocket bolt
60 Nm (6.0 m·kg, 43 ft·lb)



EAS26240

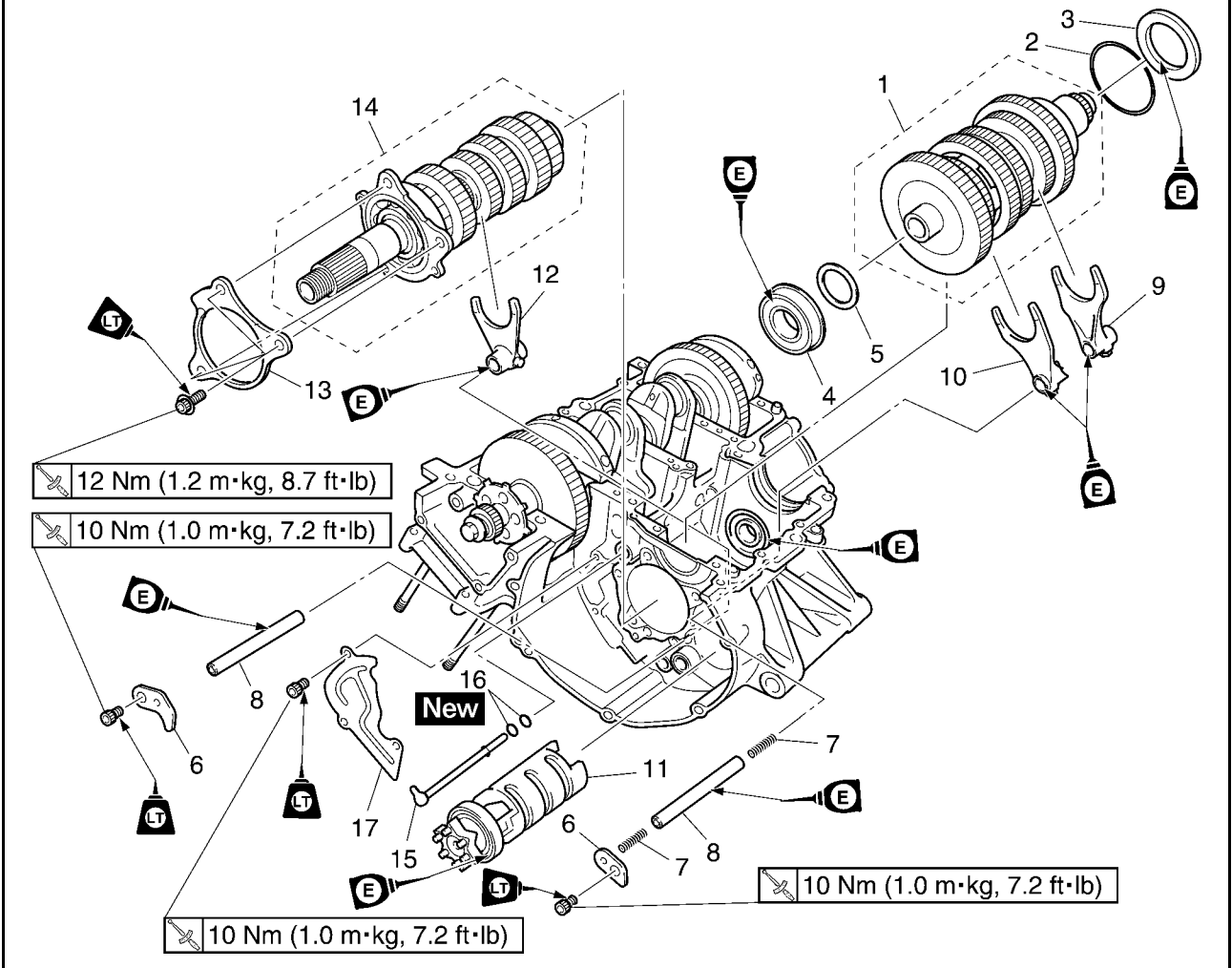
TRANSMISSION

Removing the transmission, shift drum assembly, and shift forks



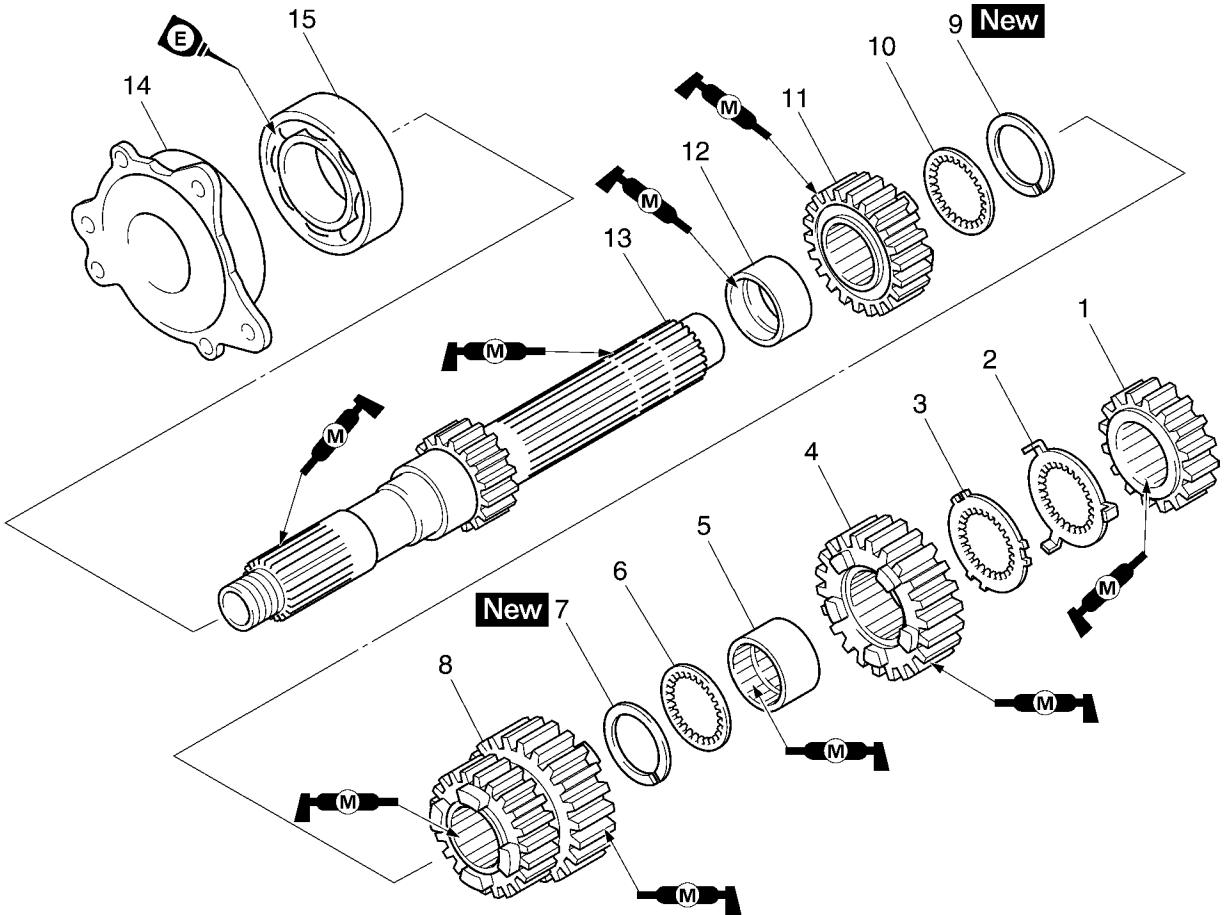
Order	Job/Parts to remove	Q'ty	Remarks
	Lower crankcase		Separate. Refer to "CRANKCASE" on page 5-65.
1	Drive axle assembly	1	
2	Circlip	1	
3	Oil seal	1	
4	Bearing	1	
5	Washer	1	
6	Shift fork guide bar retainer	2	
7	Spring	2	
8	Shift fork guide bar	2	
9	Shift fork-L	1	
10	Shift fork-R	1	
11	Shift drum assembly	1	
12	Shift fork-C	1	
13	Main axle retainer	1	
14	Main axle assembly	1	
15	Oil pipe	1	
16	O-ring	2	
17	Oil baffle plate	1	

Removing the transmission, shift drum assembly, and shift forks



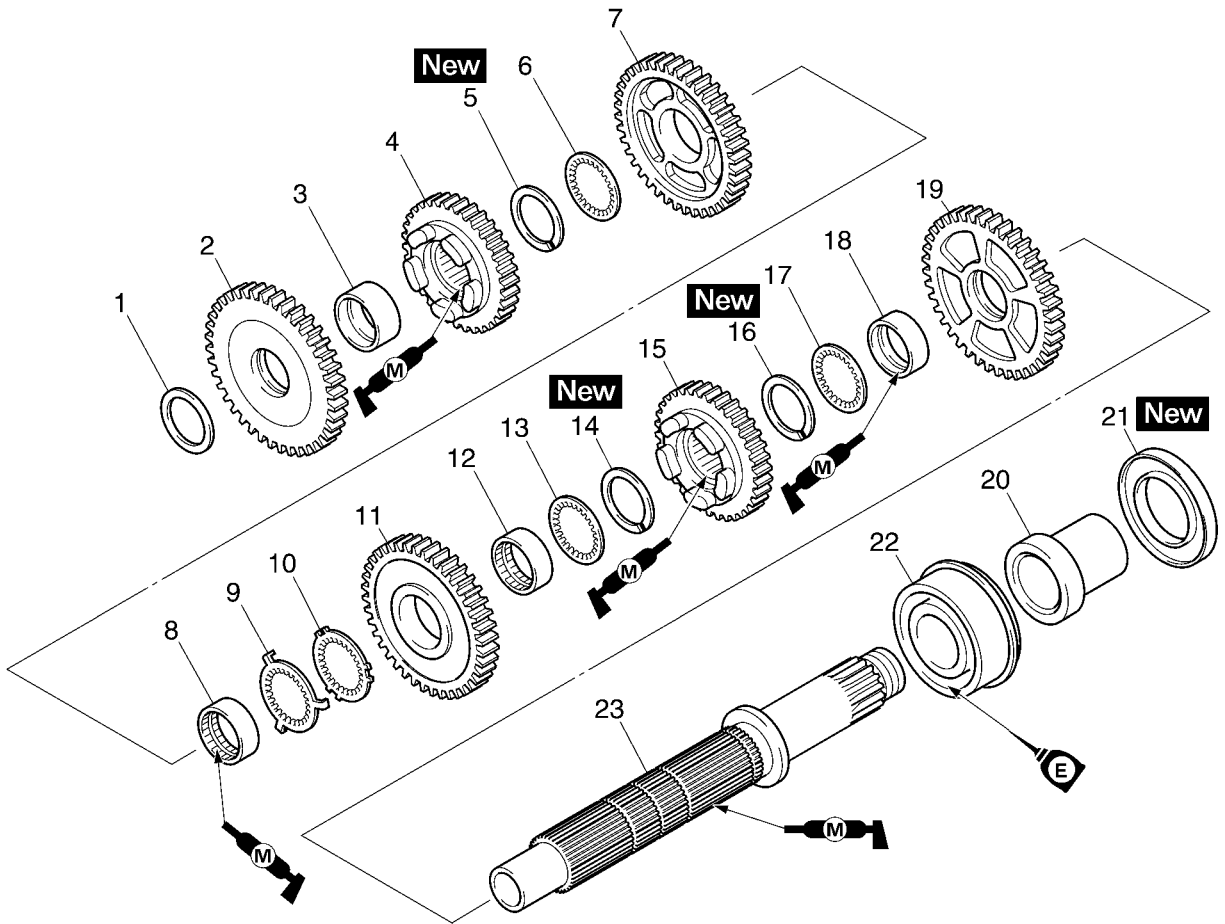
Order	Job/Parts to remove	Q'ty	Remarks
			For installation, reverse the removal procedure.

Disassembling the main axle assembly



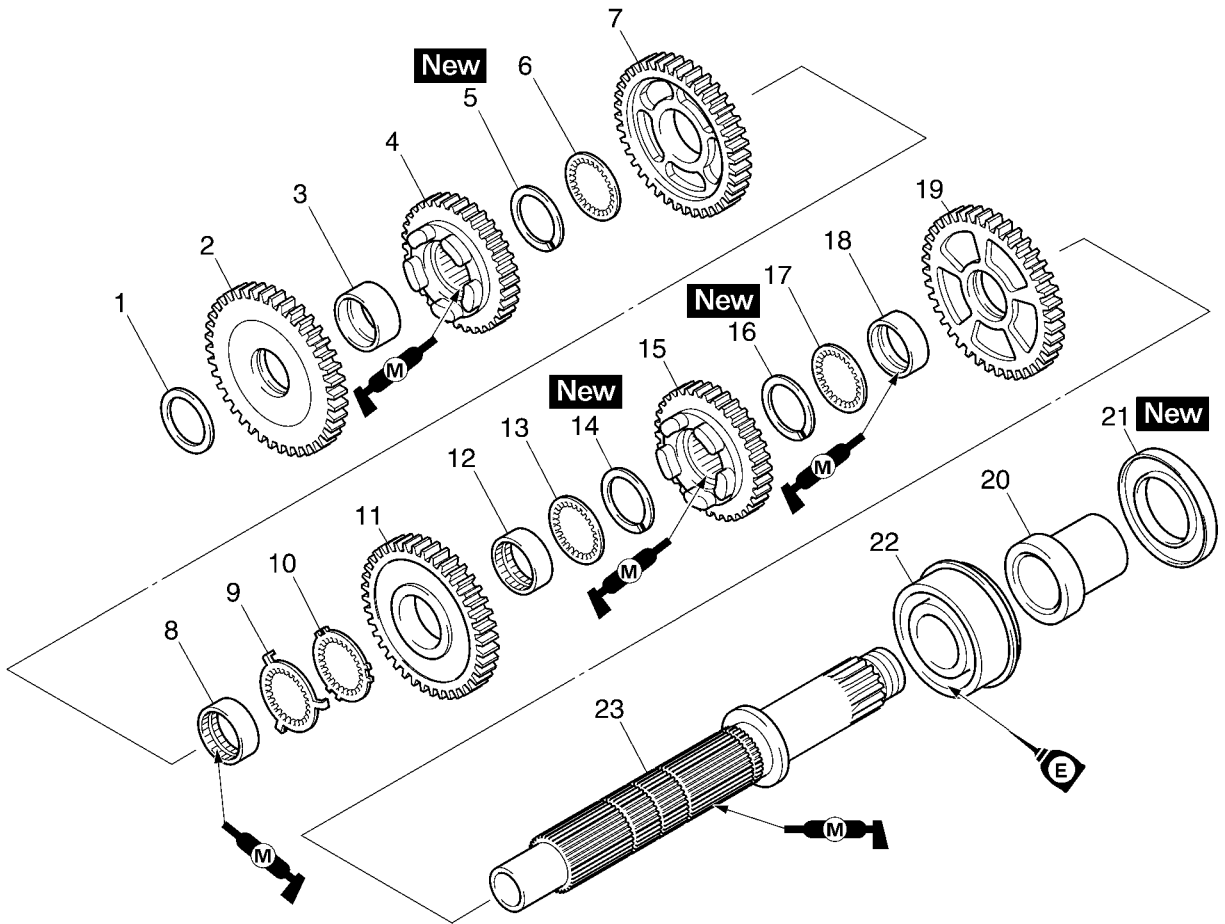
Order	Job/Parts to remove	Q'ty	Remarks
1	2nd pinion gear	1	
2	Toothed lock washer	1	
3	Toothed lock washer retainer	1	
4	6th pinion gear	1	
5	Collar	1	
6	Washer	1	
7	Circlip	1	
8	3rd pinion gear	1	
9	Circlip	1	
10	Washer	1	
11	5th pinion gear	1	
12	Collar	1	
13	Main axle	1	
14	Bearing housing	1	
15	Bearing	1	
			For assembly, reverse the disassembly procedure.

Disassembling the drive axle assembly



Order	Job/Parts to remove	Q'ty	Remarks
1	Washer	1	
2	1st wheel gear	1	
3	Collar	1	
4	5th wheel gear	1	
5	Circlip	1	
6	Washer	1	
7	3rd wheel gear	1	
8	Collar	1	
9	Toothed lock washer	1	
10	Toothed lock washer retainer	1	
11	4th wheel gear	1	
12	Collar	1	
13	Washer	1	
14	Circlip	1	
15	6th wheel gear	1	
16	Circlip	1	
17	Washer	1	
18	Collar	1	
19	2nd wheel gear	1	
20	Collar	1	
21	Oil seal	1	
22	Bearing	1	
23	Drive axle	1	

Disassembling the drive axle assembly

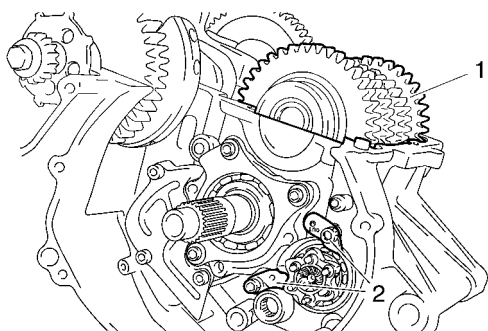
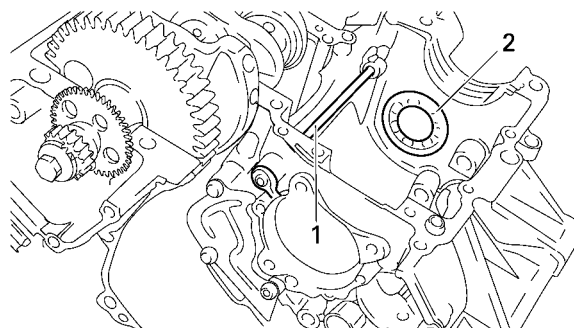


Order	Job/Parts to remove	Q'ty	Remarks
			For assembly, reverse the disassembly procedure.

EAS26250

REMOVING THE TRANSMISSION

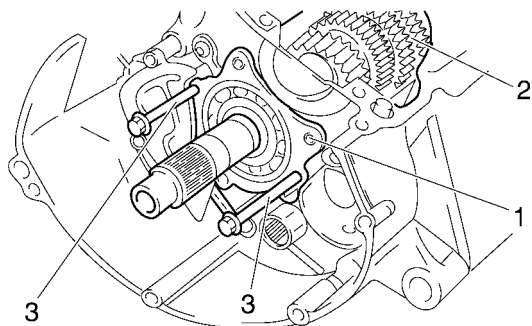
1. Remove:
 - Drive axle assembly "1"
 - Shift drum retainers "2"
 - Shift fork guide bars
 - Shift fork "L" and "R"
 - Shift drum assembly
 - Shift fork "C"



2. Remove:
 - Bearing housing "1"
 - Main axle assembly "2"



- a. Insert two bolts "3" of the proper size, as shown in the illustration, into the main axle assembly bearing housing.



- b. Tighten the bolts until they contact the crankcase surface.
- c. Continue tightening the bolts until the main axle assembly comes free from the upper crankcase.



3. Remove:
 - Oil pipe "1"
 - Bearing "2"

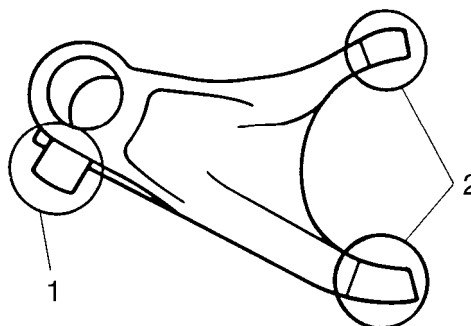
EAS26260

CHECKING THE SHIFT FORKS

The following procedure applies to all of the shift forks.

1. Check:
 - Shift fork cam follower "1"
 - Shift fork pawl "2"

Bends/damage/scoring/wear → Replace the shift fork.



2. Check:
 - Shift fork guide bar

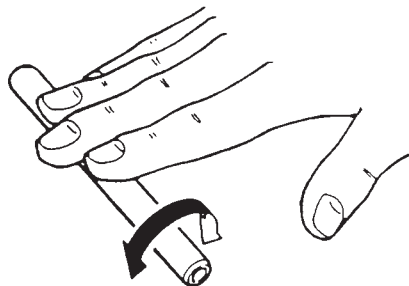
Roll the shift fork guide bar on a flat surface.

Bends → Replace.

EWA12840



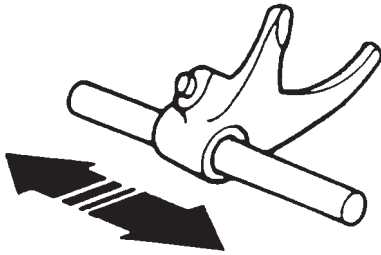
Do not attempt to straighten a bent shift fork guide bar.



319-010

3. Check:

- Shift fork movement
(along the shift fork guide bar)
Rough movement → Replace the shift forks and shift fork guide bar as a set.



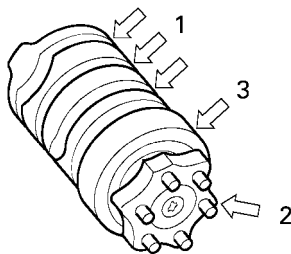
319-011

EAS26270

CHECKING THE SHIFT DRUM ASSEMBLY

1. Check:

- Shift drum groove
Damage/scratches/wear → Replace the shift drum assembly.
- Shift drum segment "1"
Damage/wear → Replace the shift drum assembly.
- Shift drum bearing "2"
Damage/pitting → Replace the shift drum assembly.



EAS26300

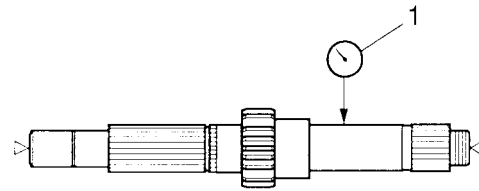
CHECKING THE TRANSMISSION

1. Measure:

- Main axle runout
(with a centering device and dial gauge "1")
Out of specification → Replace the main axle.



Main axle runout limit
0.08 mm (0.0032 in)



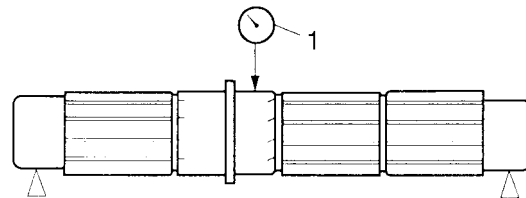
11650702

2. Measure:

- Drive axle runout
(with a centering device and dial gauge "1")
Out of specification → Replace the drive axle.



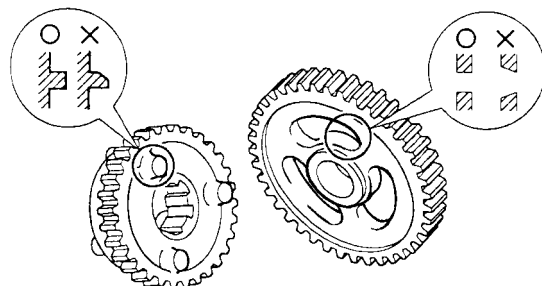
Drive axle runout limit
0.08 mm (0.0032 in)



11650701

3. Check:

- Transmission gears
Blue discoloration/pitting/wear → Replace the defective gear(s).
- Transmission gear dogs
Cracks/damage/rounded edges → Replace the defective gear(s).



EAS26350

INSTALLING THE TRANSMISSION

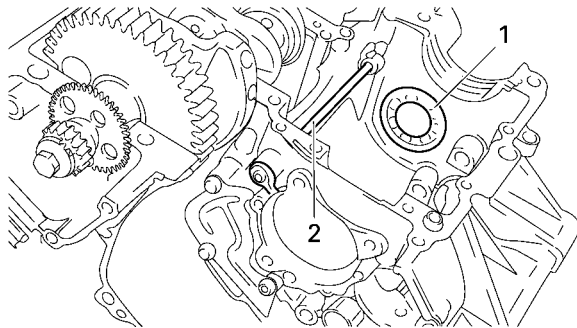
1. Install:

- Bearing "1"

NOTE:

Make the seal side of bearing face to the outside and install it close to the right end face of the crankcase.

- Oil pipe "2"



2. Install:

- Main axle assembly "1"
- Bearing housing "2"



Bearing housing bolt
12 Nm (1.2 m·kg, 8.7 ft·lb)
LOCTITE®

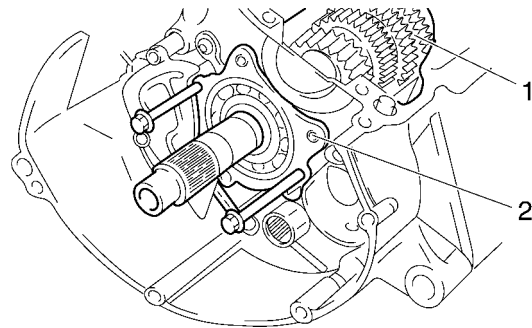
- Shift fork "C"
- Shift drum assembly
- Shift fork guide bar
- Shift fork guide bar retainer



Shift fork guide bar retainer bolt
10 Nm (1.0 m·kg, 7.2 ft·lb)
LOCTITE®

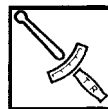
NOTE:

- The embossed marks on the shift forks should face towards the right side of the engine and be in the following sequence: "R", "C", "L".
- Carefully position the shift forks so that they are installed correctly into the transmission gears.
- Install shift fork "C" into the groove in the 3rd and 4th pinion gear on the main axle.



3. Install:

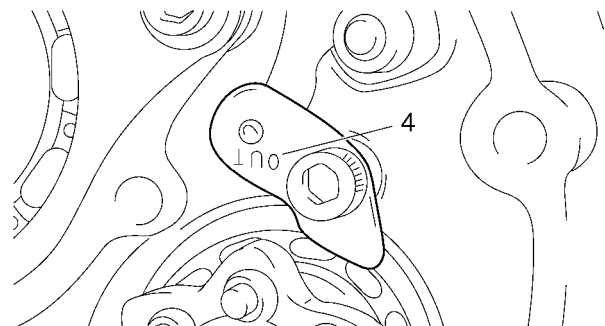
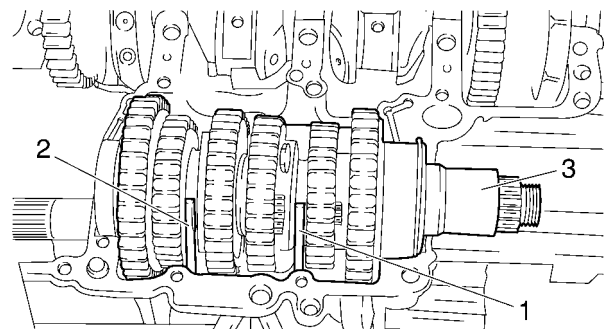
- Shift fork "L" "1" and "R" "2"
- Drive axle assembly "3"
- Shift fork guide bar
- Shift fork guide bar retainer "4"

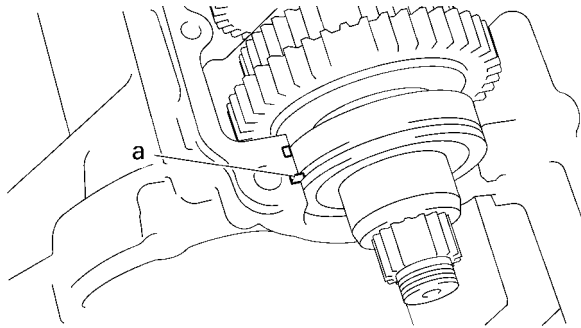


Shift fork guide bar retainer bolt
10 Nm (1.0 m·kg, 7.2 ft·lb)
LOCTITE®

NOTE:

- Install shift fork "L" into the groove in the 6th wheel gear and shift fork "R" into the groove in the 5th wheel gear on the drive axle.
- Make sure that the drive axle bearing circlip "a" is inserted into the grooves in the upper crankcase.





4. Check:

- Transmission
Rough movement → Repair.

NOTE: _____
Oil each gear, shaft, and bearing thoroughly.

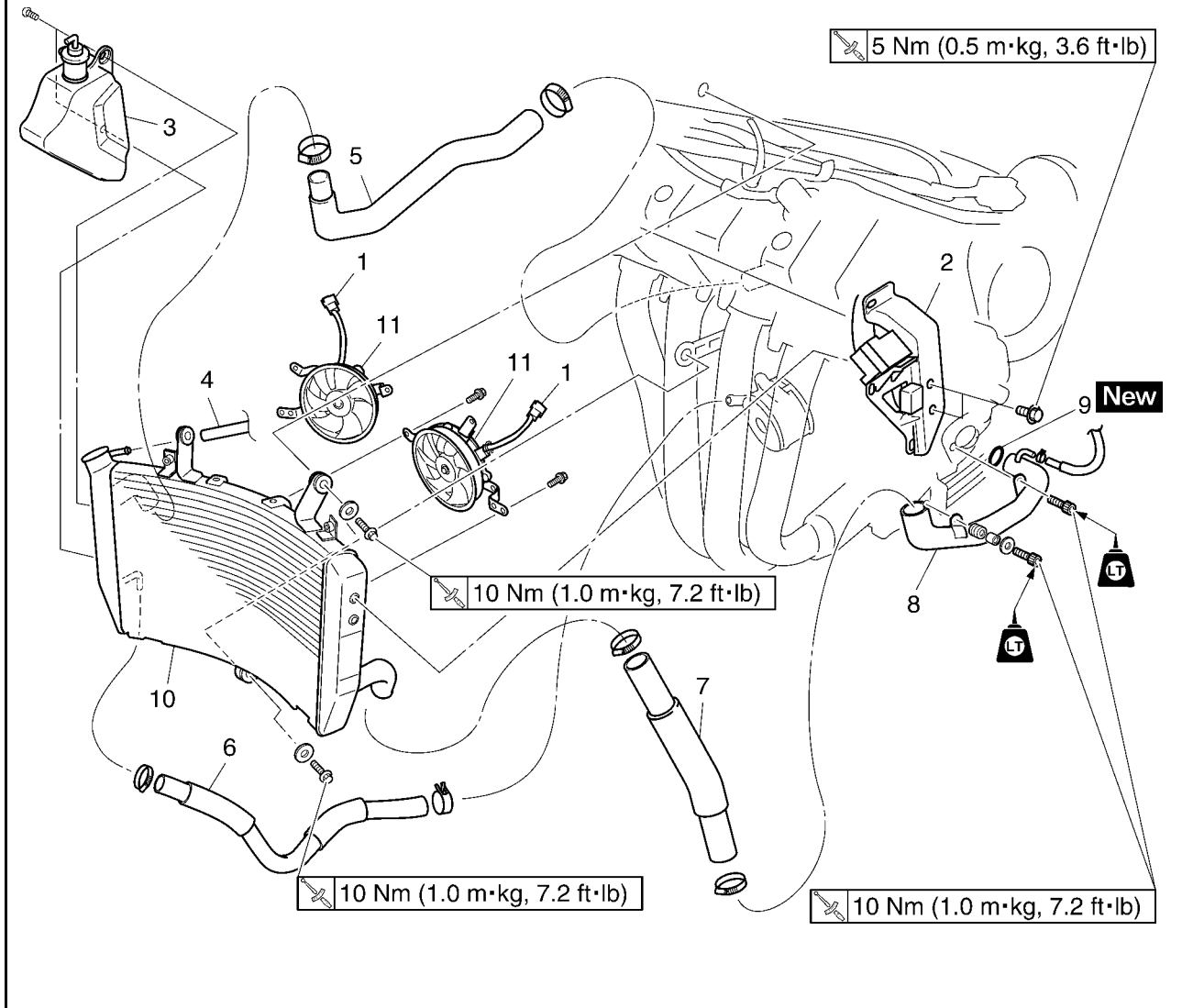
COOLING SYSTEM

RADIATOR	6-1
CHECKING THE RADIATOR.....	6-3
INSTALLING THE RADIATOR.....	6-3
OIL COOLER	6-4
CHECKING THE OIL COOLER.....	6-5
INSTALLING THE OIL COOLER.....	6-5
THERMOSTAT	6-6
CHECKING THE THERMOSTAT.....	6-7
ASSEMBLING THE THERMOSTAT ASSEMBLY.....	6-8
INSTALLING THE THERMOSTAT ASSEMBLY.....	6-8
WATER PUMP	6-9
DISASSEMBLING THE WATER PUMP.....	6-10
CHECKING THE WATER PUMP.....	6-10
ASSEMBLING THE WATER PUMP.....	6-10

EAS26380

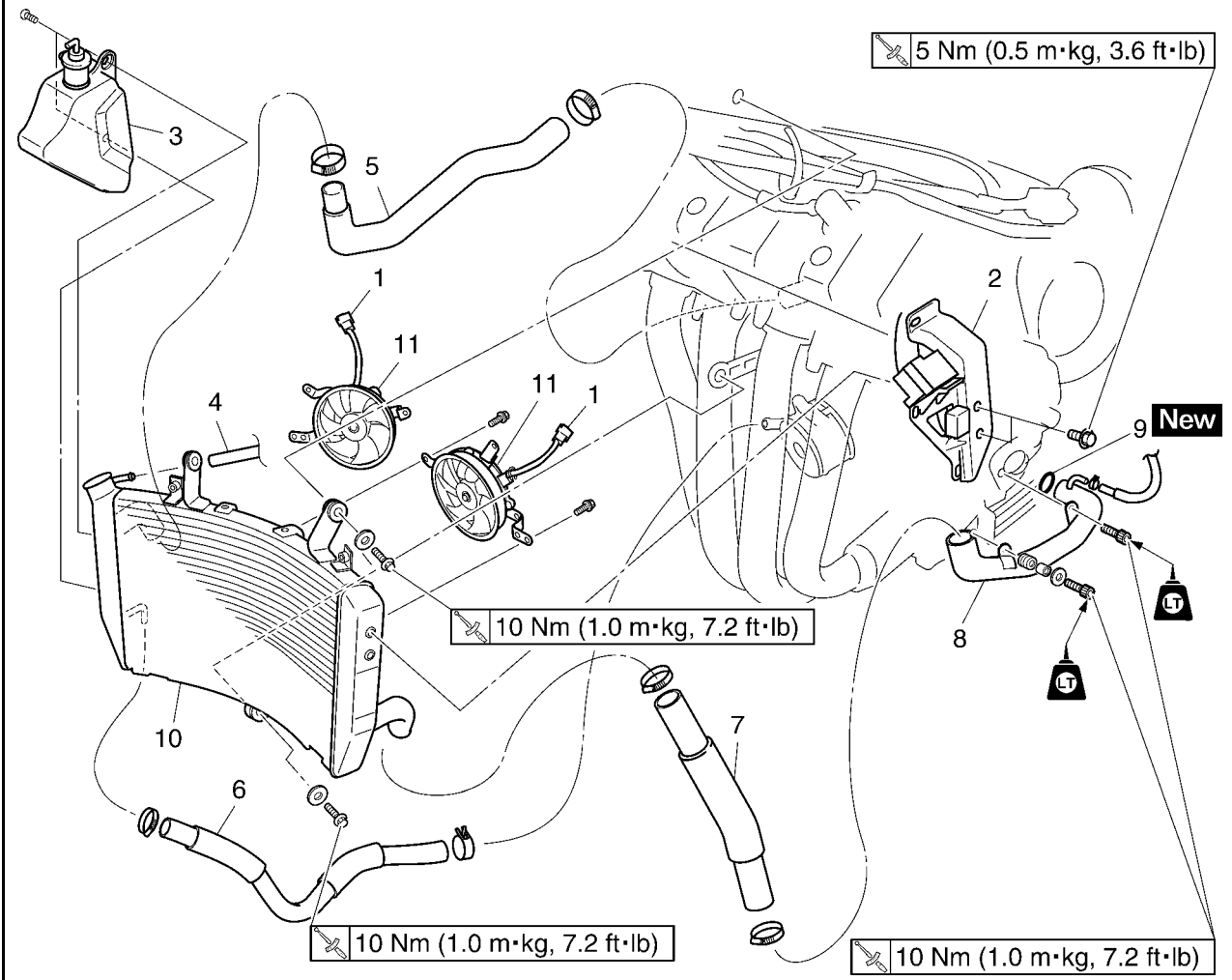
RADIATOR

Removing the radiator



Order	Job/Parts to remove	Q'ty	Remarks
	Rider seat		Refer to "GENERAL CHASSIS" on page 4-1.
	Side cowling		Refer to "GENERAL CHASSIS" on page 4-1.
	Coolant		Drain. Refer to "CHANGING THE COOLANT" on page 3-19.
	Fuel tank		Refer to "FUEL TANK" on page 7-1.
	Air filter case		Refer to "GENERAL CHASSIS" on page 4-1.
1	Radiator fan coupler	2	Disconnect.
2	Fuse holder stay	1	
3	Coolant reservoir tank	1	
4	Coolant reservoir hose	1	
5	Radiator inlet hose	1	
6	Oil cooler outlet hose	1	
7	Radiator outlet hose	1	
8	Water pump inlet pipe	1	
9	O-ring	1	
10	Radiator	1	

Removing the radiator

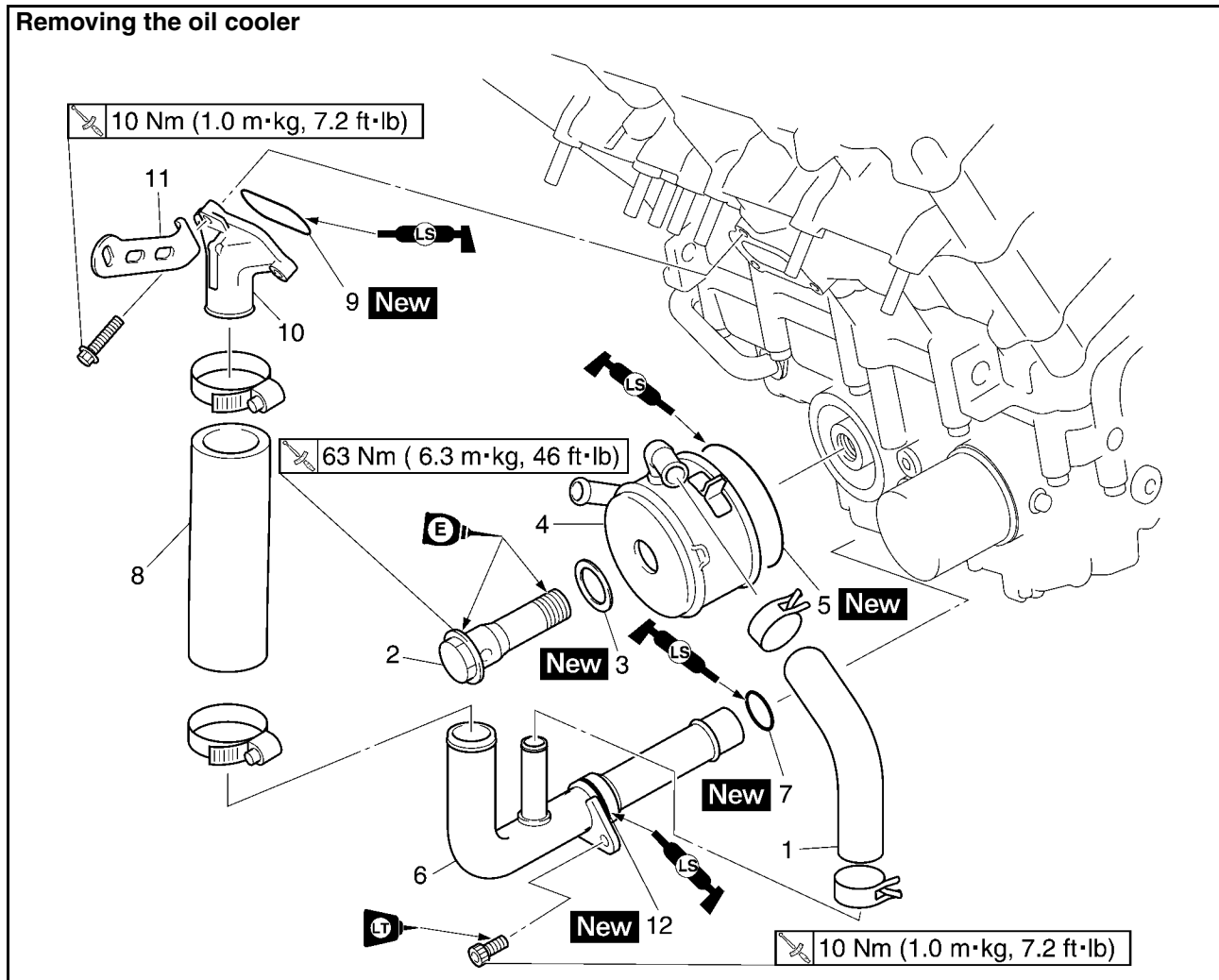


Order	Job/Parts to remove	Q'ty	Remarks
11	Radiator fan motor	2	
			For installation, reverse the removal procedure.

EAS26410

OIL COOLER

Removing the oil cooler

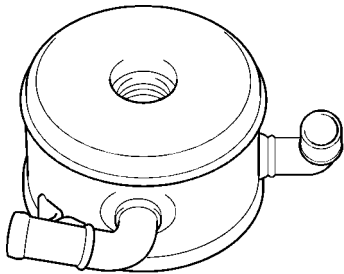


Order	Job/Parts to remove	Q'ty	Remarks
	Engine oil		Drain. Refer to "CHANGING THE ENGINE OIL" on page 3-11.
	Coolant		Drain. Refer to "CHANGING THE COOLANT" on page 3-19.
1	Oil cooler inlet hose	1	
2	Oil cooler bolt	1	Loosen.
3	Washer	1	Disconnect.
4	Oil cooler	1	Disconnect.
5	O-ring	1	
6	Water pump outlet pipe	1	
7	O-ring	1	
8	Water jacket joint inlet hose	1	
9	O-ring	1	
10	Water jacket joint	1	
11	Stay	1	
12	O-ring	1	
			For installation, reverse the removal procedure.

EAS26420

CHECKING THE OIL COOLER

1. Check:
 - Oil cooler
Cracks/damage → Replace.



2. Check:
 - Oil cooler inlet hose
 - Oil cooler outlet hose
Cracks/damage/wear → Replace.

EAS26430

INSTALLING THE OIL COOLER

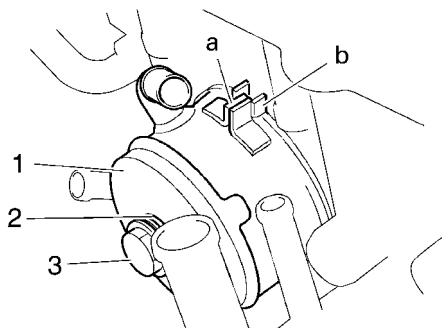
1. Clean:
 - Mating surfaces of the oil cooler and the crankcase
(with a cloth dampened with lacquer thinner)
2. Install:
 - O-ring **New**
 - Oil cooler "1"
 - Washer "2" **New**
 - Oil cooler bolt "3"



Oil cooler
63 Nm (6.3 m·kg, 46 ft·lb)

NOTE:

- Before installing the oil cooler, lubricate the oil cooler bolt and O-ring with a thin coat of engine oil.
- Make sure the O-ring is positioned properly.
- Align the projection "a" on the oil cooler with the slot "b" in the crankcase.

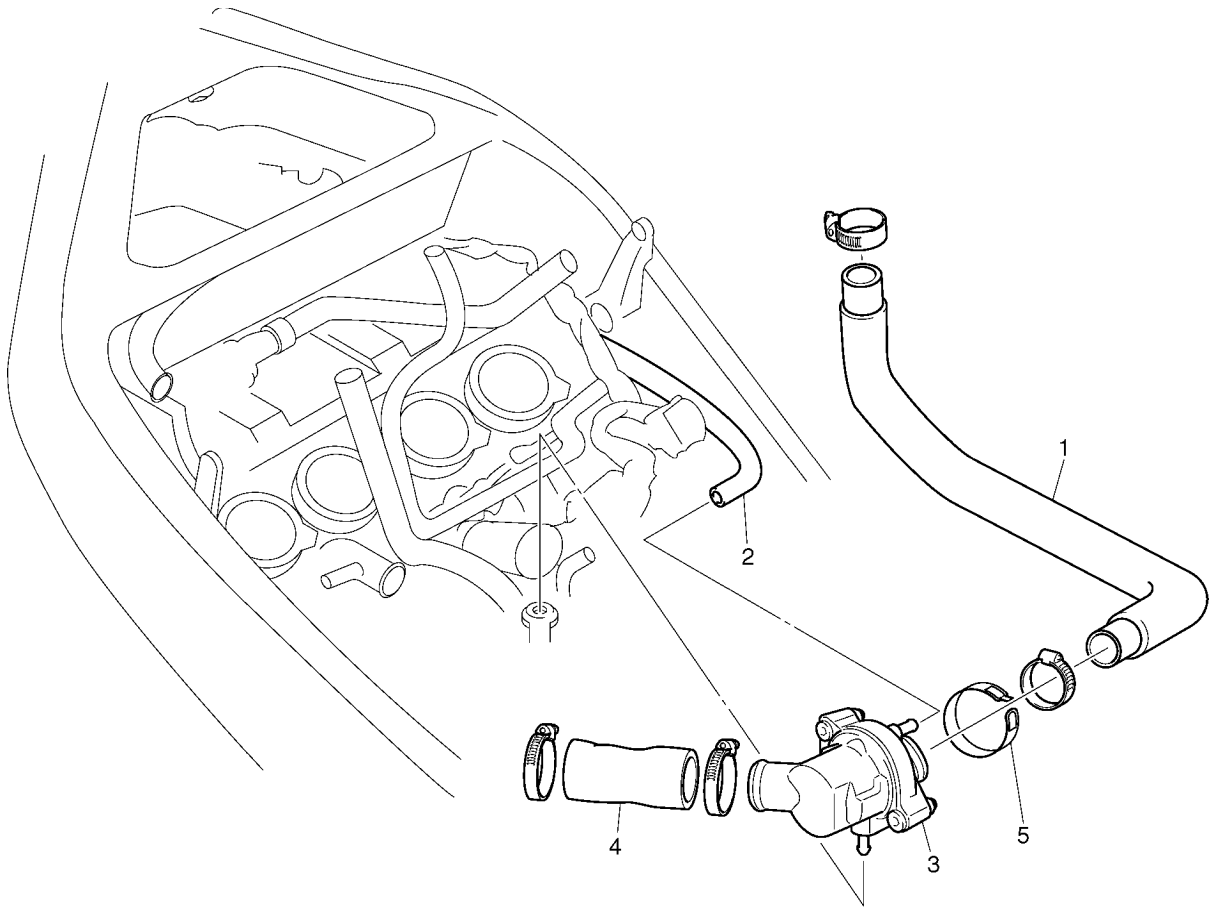


3. Fill:
 - Cooling system
(with the specified amount of the recommended coolant)
Refer to "CHANGING THE COOLANT" on page 3-19.
 - Crankcase
(with the specified amount of the recommended engine oil)
Refer to "CHANGING THE ENGINE OIL" on page 3-11.
4. Check:
 - Cooling system
Leaks → Repair or replace any faulty part.

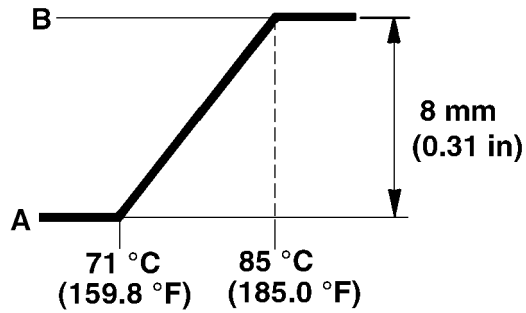
EAS26440

THERMOSTAT

Removing the thermostat assembly



Order	Job/Parts to remove	Q'ty	Remarks
	Rider seat		Refer to "GENERAL CHASSIS" on page 4-1.
	Fuel tank		Refer to "FUEL TANK" on page 7-1.
	Air filter case		Refer to "GENERAL CHASSIS" on page 4-1.
	Coolant		Refer to "CHANGING THE COOLANT" on page 3-19.
1	Thermostat assembly outlet hose	1	
2	Thermostat assembly breather hose	1	
3	Thermostat assembly	1	
4	Thermostat assembly inlet hose	1	
5	Band	1	
			For installation, reverse the removal procedure.



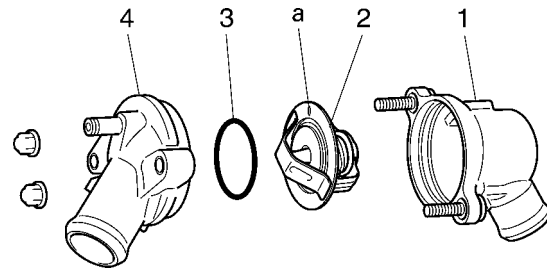
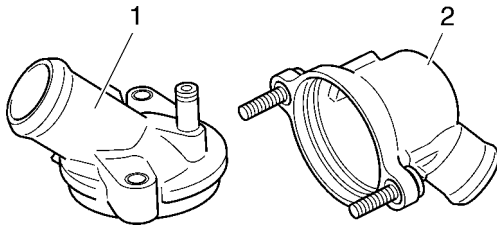
- A. Fully closed
- B. Fully open

NOTE:

If the accuracy of the thermostat is in doubt, replace it. A faulty thermostat could cause serious overheating or over cooling.



2. Check:
 - Thermostat housing cover “1”
 - Thermostat housing “2”
 Cracks/damage → Replace.



EAS26480

INSTALLING THE THERMOSTAT ASSEMBLY

1. Fill:
 - Cooling system (with the specified amount of the recommended coolant)
 Refer to "CHANGING THE COOLANT" on page 3-19.
2. Check:
 - Cooling system
 Leaks → Repair or replace any faulty part.

EAS26460

ASSEMBLING THE THERMOSTAT ASSEMBLY

1. Install:
 - Thermostat housing “1”
 - Thermostat “2”
 - O-ring “3” **New**
 - Thermostat housing cover “4”

	<p>Thermostat housing cover nut 10 Nm (1.0 m·kg, 7.2 ft·lb)</p>
---	--

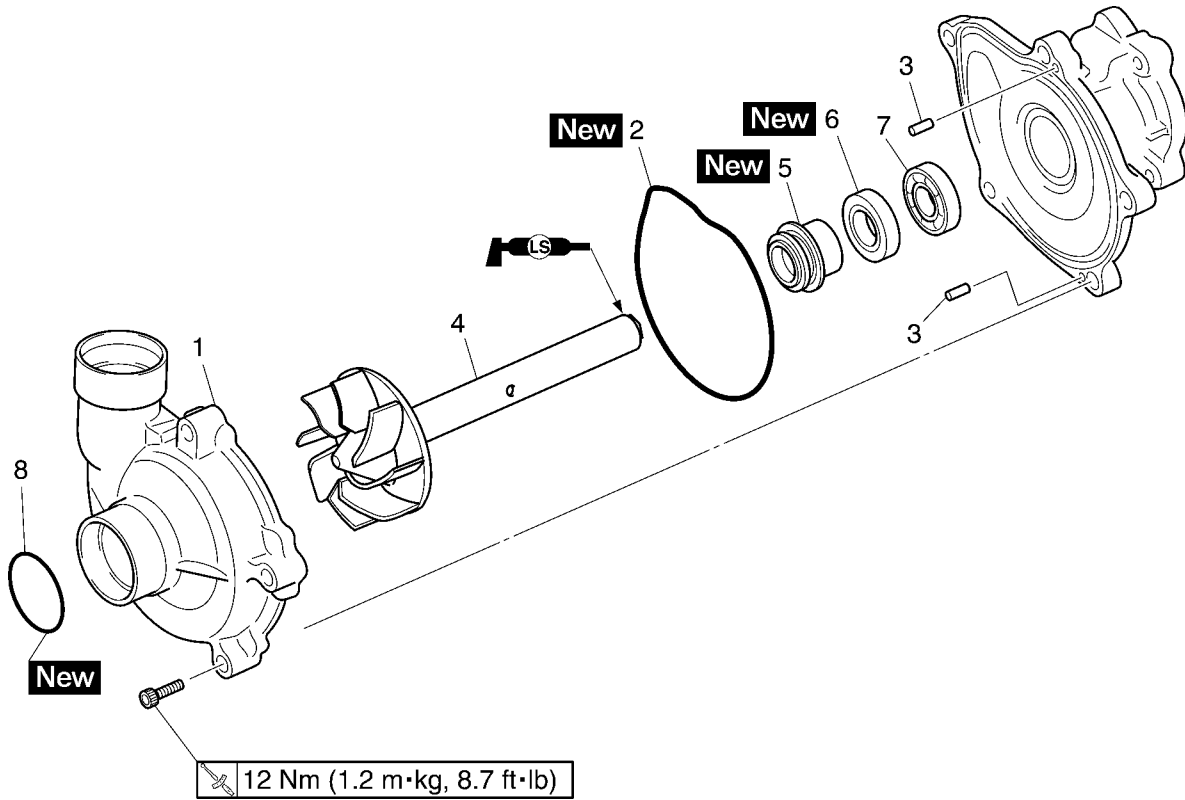
NOTE:

Install the thermostat with its breather hole “a” facing up.

EAS26500

WATER PUMP

Disassembling the water pump



Order	Job/Parts to remove	Q'ty	Remarks
	Oil/water pump assembly		Refer to "OIL PUMP" on page 5-57.
	Oil pump rotor		Refer to "OIL PUMP" on page 5-57.
1	Water pump cover	1	
2	O-ring	1	
3	Pin	2	
4	Impeller shaft (along with the impeller)	1	
5	Water pump seal	1	
6	Oil seal	1	
7	Bearing	1	
8	O-ring	1	
			For installation, reverse the removal procedure.

EAS26520

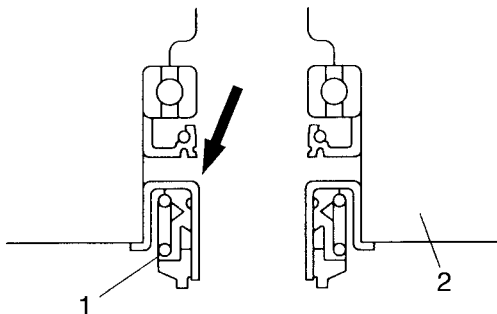
DISASSEMBLING THE WATER PUMP

1. Remove:

- Water pump seal "1"
- Water pump housing "2"

NOTE:

Tap out the bearing and oil seal from the outside of the water pump housing.

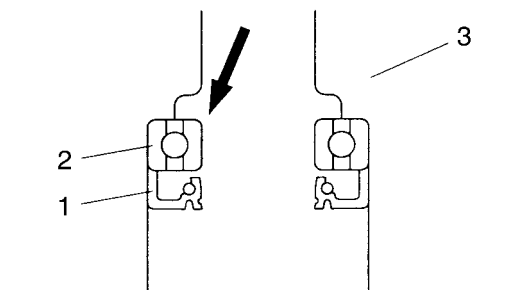


2. Remove:

- Oil seal "1"
- Bearing "2"
- Water pump housing "3"

NOTE:

Tap out the bearing and oil seal from the outside of the water pump housing.

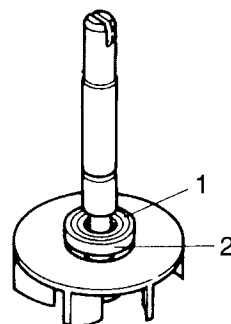


3. Remove:

- Rubber damper holder "1"
- Rubber damper "2"
(from the impeller, with a thin, flat-head screwdriver)

NOTE:

Do not scratch the impeller shaft.

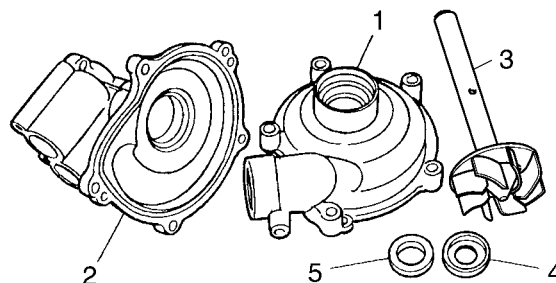


EAS26540

CHECKING THE WATER PUMP

1. Check:

- Water pump housing cover "1"
 - Water pump housing "2"
 - Impeller shaft "3"
 - Rubber damper "4"
 - Rubber damper holder "5"
 - Water pump seals
 - Oil seal
- Cracks/damage/wear → Replace.



2. Check:

- Bearing
- Rough movement → Replace.

3. Check:

- Water pump outlet pipe
 - Radiator outlet hose
- Cracks/damage/wear → Replace.

EAS26560

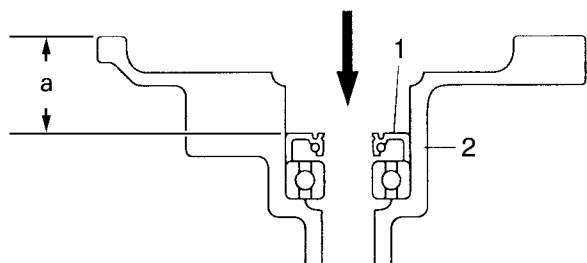
ASSEMBLING THE WATER PUMP

1. Install:

- Oil seal "1" **New**
(into the water pump housing "2")

NOTE:

- Before installing the oil seal, apply tap water or coolant onto its out surface.
- Install the oil seal with a socket that matches its outside diameter.



a. 17.2 mm (0.68 in)

2. Install:

- Water pump seal "1" **New**

ECA14080

CAUTION:

Never lubricate the water pump seal surface with oil or grease.

NOTE:

- Install the water pump seal with the special tools.
- Before installing the water pump seal, apply Yamaha bond No. 1215 (Three bond No. 1215®) "2" to the water pump housing "3".



Mechanical seal installer

90890-04078

Water pump seal installer

YM-33221-A

Middle driven shaft bearing driver

90890-04058

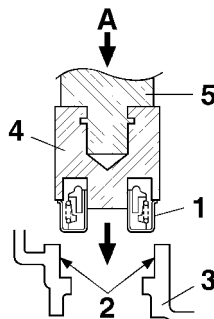
Bearing driver 40 mm

YM-04058

Yamaha bond No. 1215

(Three bond No. 1215®)

90890-85505



A. Push down

4. Mechanical seal installer

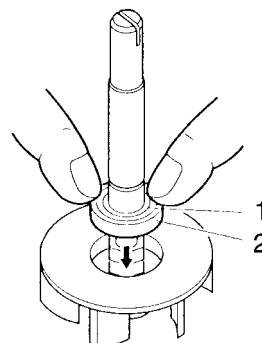
5. Middle driven shaft bearing driver

3. Install:

- Rubber damper holder "1" **New**
- Rubber damper "2" **New**

NOTE:

Before installing the rubber damper, apply tap water or coolant onto its outer surface.



I4150204

4. Measure:

- Impeller shaft tilt
Out of specification → Repeat steps (3) and (4).

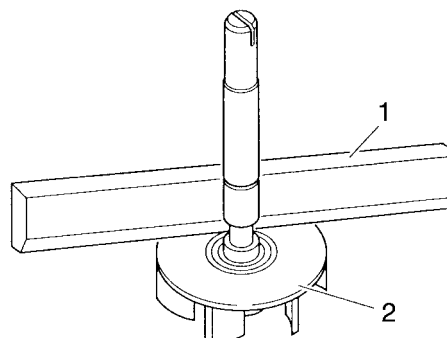
ECA14090

CAUTION:

Make sure the rubber damper and rubber damper holder are flush with the impeller.



Impeller shaft tilt limit
0.15 mm (0.006 in)



I4150203

1. Straightedge

2. Impeller

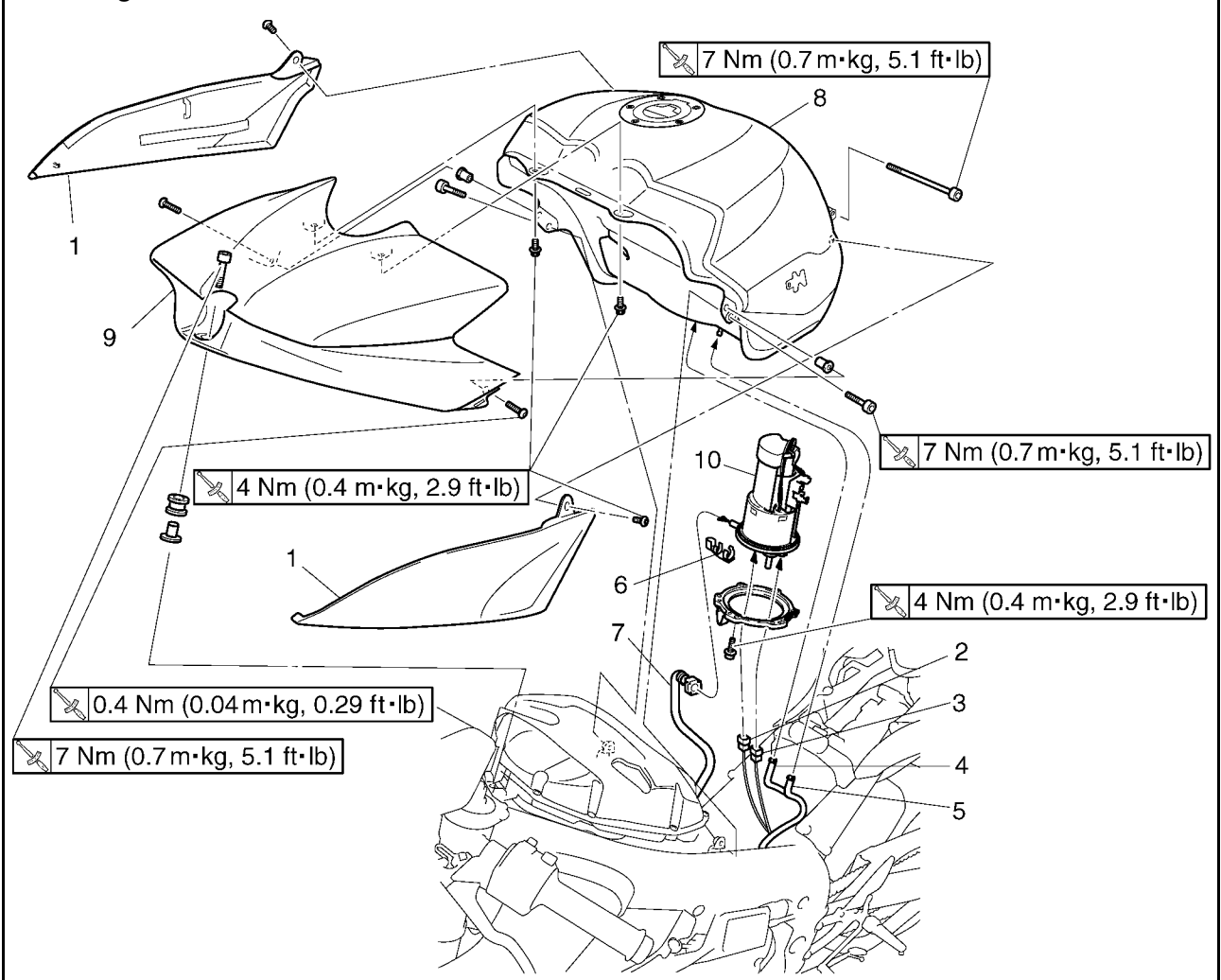
FUEL SYSTEM

FUEL TANK	7-1
REMOVING THE FUEL TANK	7-2
REMOVING THE FUEL PUMP	7-2
CHECKING THE FUEL PUMP BODY	7-2
CHECKING THE FUEL PUMP OPERATION	7-2
INSTALLING THE FUEL PUMP	7-2
INSTALLING THE FUEL TANK	7-3
THROTTLE BODIES	7-4
CHECKING THE INJECTORS	7-6
CHECKING THE THROTTLE BODIES	7-6
CHECKING THE FUEL PRESSURE	7-6
ADJUSTING THE THROTTLE POSITION SENSOR (FOR THROTTLE VALVES)	7-6
ADJUSTING THE THROTTLE POSITION SENSOR (FOR THROTTLE CABLE PULLEY)	7-7
AIR INDUCTION SYSTEM	7-9
CHECKING THE AIR INDUCTION SYSTEM	7-10

EAS26620

FUEL TANK

Removing the fuel tank



Order	Job/Parts to remove	Q'ty	Remarks
	Rider seat		Refer to "GENERAL CHASSIS" on page 4-1.
	Passenger seat		Refer to "GENERAL CHASSIS" on page 4-1.
1	Fuel tank side cover	2	
2	Fuel sender coupler	1	
3	Fuel pump coupler	1	
4	Fuel tank drain hose	1	
5	Fuel tank breather hose	1	
6	Fuel hose connector	1	
7	Fuel hose	1	
8	Fuel tank	1	
9	Fuel tank top cover	1	
10	Fuel pump	1	
			For installation, reverse the removal procedure.

EAS26630

REMOVING THE FUEL TANK

1. Extract the fuel in the fuel tank through the fuel tank cap with a pump.
2. Remove:
 - Fuel hose connector cover
 - Fuel hose
 - Fuel sender coupler
 - Fuel pump coupler
 - Fuel tank drain hose
 - Fuel tank breather hose
 - Fuel tank side cover

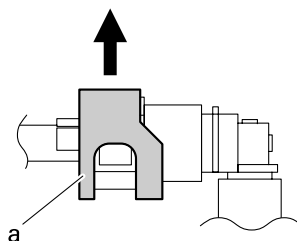
ECA4C81002

CAUTION:

- **Be sure to disconnect the fuel hose by hand. Do not forcefully disconnect the hose with tools.**
- **Although the fuel has been removed from the fuel tank be careful when removing the fuel hoses, since there may be fuel remaining in it.**

NOTE:

- To remove the fuel hose from the fuel injection pipe, slide the cover "a" on the end of the hose in the direction of the arrow shown and then remove the hose.
- Before removing the hoses, place a few rags in the area under where it will be removed.



3. Remove:
 - Fuel tank

NOTE:

Do not set the fuel tank down so that the installation surface of the fuel pump is directly under the tank. Be sure to lean the fuel tank in an upright position.

EAS26640

REMOVING THE FUEL PUMP

1. Remove:
 - Fuel pump

ECA14720

CAUTION:

- **Do not drop the fuel pump or give it a strong shock.**
- **Do not touch the base section of the fuel sender.**

EAS26670

CHECKING THE FUEL PUMP BODY

1. Check:
 - Fuel pump body
Obstruction → Clean.
Cracks/damage → Replace the fuel pump assembly.
2. Check:
 - Diaphragms and gaskets
Turn/fatigue/cracks → Replace the fuel pump assembly.

EAS26690

CHECKING THE FUEL PUMP OPERATION

1. Check:
 - Fuel pump operation
Refer to "CHECKING THE FUEL PRESSURE" on page 7-6.

EAS26710

INSTALLING THE FUEL PUMP

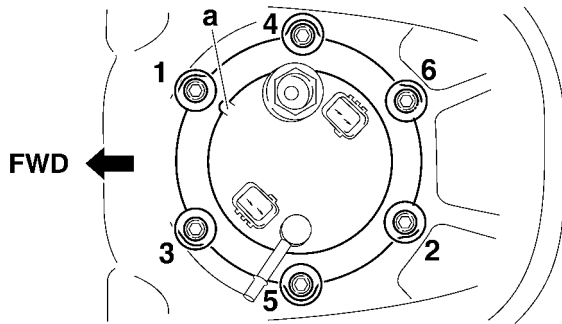
1. Install:
 - Fuel pump



Fuel pump bolt
4 Nm (0.4 m·kg, 2.9 ft·lb)

NOTE:

- Do not damage the installation surface of the fuel tank when installing the fuel pump.
- Always use a new fuel pump gasket.
- Install the fuel pump as shown in the illustration.
- Align the projection "a" on the fuel pump with the slot in the fuel pump bracket.
- Tighten the fuel pump bolts in stages in a crisscross pattern and to the specified torque.



EAS4C81002

INSTALLING THE FUEL TANK

1. Install:

- Fuel hose
- Fuel hose connector cover

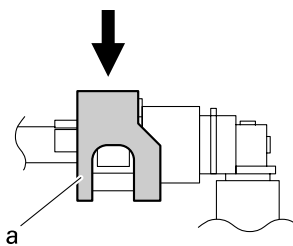
ECA14740

CAUTION:

When installing the fuel hose, make sure that it is securely connected, and that the fuel hose holders are in the correct position, otherwise the fuel hose will not be properly installed.

NOTE:

Install the fuel hose connector securely onto the fuel tank until a distinct “click” is heard, and then make sure that it does not come loose. To install the fuel hose from the fuel injection hose, slide the cover “a” on the end of the hose in the direction of arrow shown.



2. Install:

- Fuel sender coupler
- Fuel pump coupler
- Fuel tank breather hose
- Fuel tank drain hose
- Fuel tank side cover

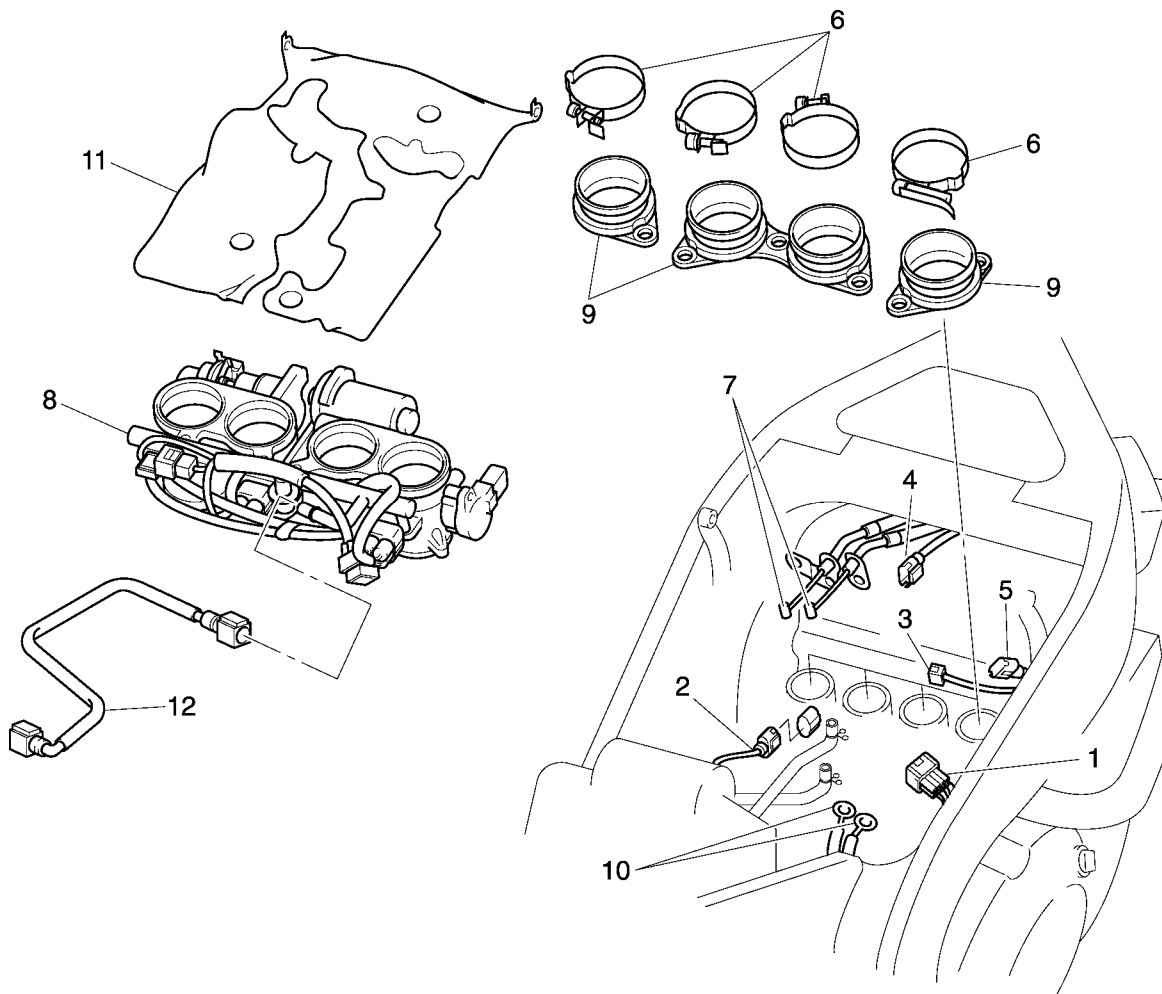
NOTE:

There is white paint mark on the fuel tank breather hose.
Refer to "CABLE ROUTING" on page 2-39.

EAS26970

THROTTLE BODIES

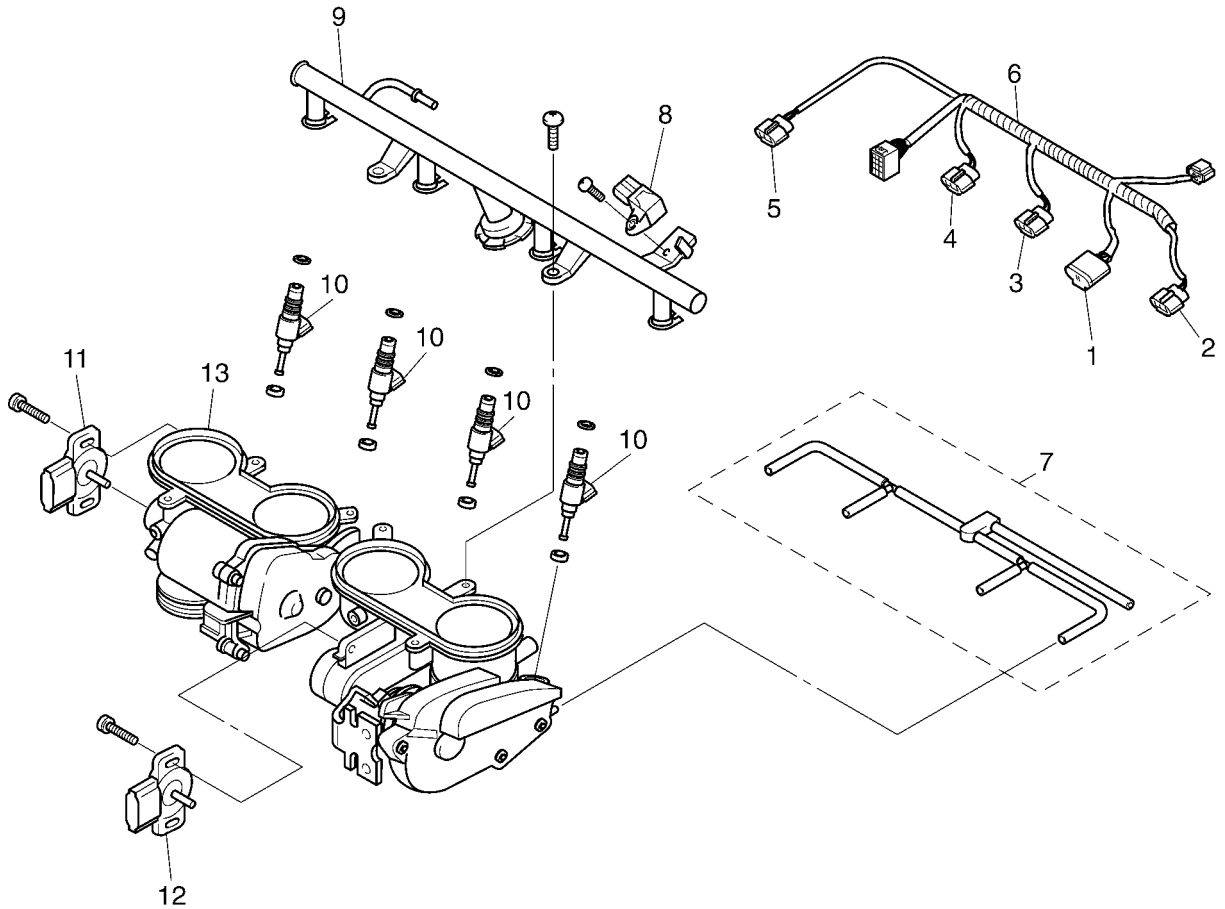
Removing the throttle bodies



Order	Job/Parts to remove	Q'ty	Remarks
	Rider seat		Refer to "GENERAL CHASSIS" on page 4-1.
	Fuel tank		Refer to "FUEL TANK" on page 7-1.
	Air filter case		Refer to "GENERAL CHASSIS" on page 4-1.
1	Sub-wire harness coupler	1	Disconnect.
2	Coolant temperature sensor coupler	1	Disconnect.
3	Throttle servo motor coupler	1	Disconnect.
4	Throttle position sensor (for throttle valves) coupler	1	Disconnect.
5	Throttle position sensor (for throttle cable pulley) coupler	1	Disconnect.
6	Throttle body joint clamp	4	Loosen.
7	Throttle cables	2	Disconnect.
8	Throttle bodies	1	
9	Throttle body joint	3	
10	Engine ground	2	
11	Heat protector	1	
12	Fuel hose	1	
			For installation, reverse the removal procedure.

THROTTLE BODIES

Removing the injectors

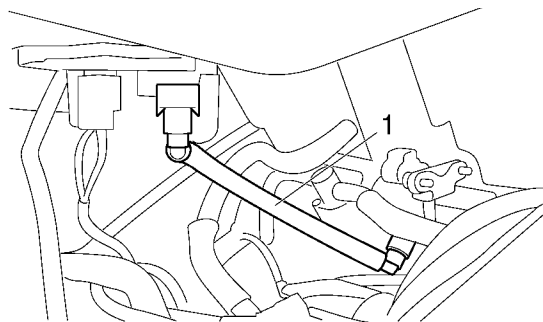
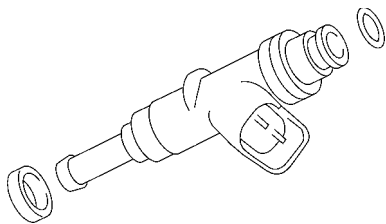


Order	Job/Parts to remove	Q'ty	Remarks
1	Intake air pressure sensor coupler	1	Disconnect.
2	Cylinder #1-injector coupler	1	Disconnect.
3	Cylinder #2-injector coupler	1	Disconnect.
4	Cylinder #3-injector coupler	1	Disconnect.
5	Cylinder #4-injector coupler	1	Disconnect.
6	Sub-wire harness	1	
7	Negative pressure hose	1	Disconnect.
8	Intake air pressure sensor	1	
9	Fuel distributor	1	
10	Injector	4	
11	Throttle position sensor (for throttle valves)	1	
12	Throttle position sensor (for throttle cable pulley)	1	
13	Throttle body assembly	1	
			For installation, reverse the removal procedure.

EAS26980

CHECKING THE INJECTORS

1. Check:
 - Injectors
 - Damage → Replace.



- c. Connect the pressure gauge "2" and adapter "3" to the fuel hose (fuel tank to primary injector fuel rail).

EAS26990

CHECKING THE THROTTLE BODIES

1. Check:
 - Throttle bodies
 - Cracks/damage → Replace the throttle bodies as a set.
2. Check:
 - Fuel passages
 - Obstructions → Clean.



- a. Wash the throttle bodies in a petroleum-based solvent.
Do not use any caustic carburetor cleaning solution.
- b. Blow out all of the passages with compressed air.



EAS4S81001

CHECKING THE FUEL PRESSURE

1. Check:
 - Fuel pressure



- a. Remove the rider and passenger seat.
Refer to "GENERAL CHASSIS" on page 4-1.
- b. Disconnect the fuel hose (fuel tank to primary injector fuel rail) "1" from the primary injector fuel rail.

EWA4C81001

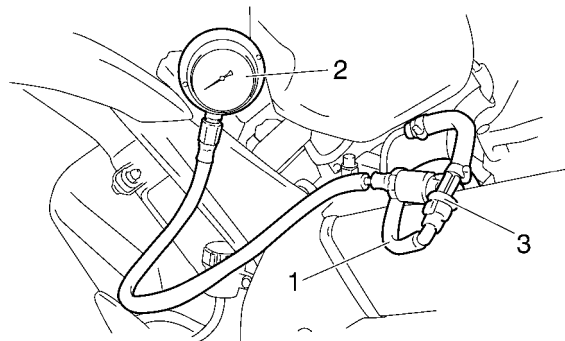


WARNING
Cover fuel hose connections with a cloth when disconnecting them. Residual pressure in the fuel lines could cause fuel to spurt out when removing the hoses.



Pressure gauge
90890-03153
YU-03153

Fuel pressure adapter
90890-03176
YM-03176



- d. Start the engine.
- e. Measure the fuel pressure.



Fuel pressure
324 kPa (46.1 psi) (3.24 kg/cm²)

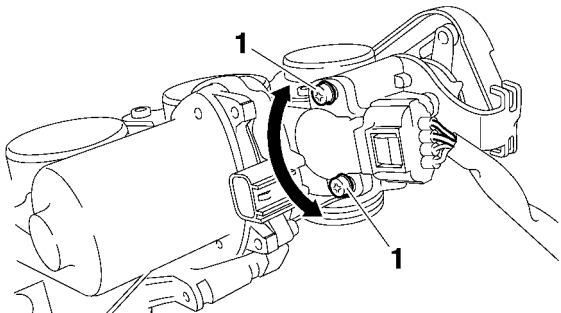
Faulty → Replace fuel pump.

EAS27030

ADJUSTING THE THROTTLE POSITION SENSOR (FOR THROTTLE VALVES)

1. Check:
 - Throttle position sensor (for throttle valves)
Refer to "CHECKING THE THROTTLE POSITION SENSOR (FOR THROTTLE VALVES)" on page 8-97.
2. Adjust:
 - Throttle position sensor angle

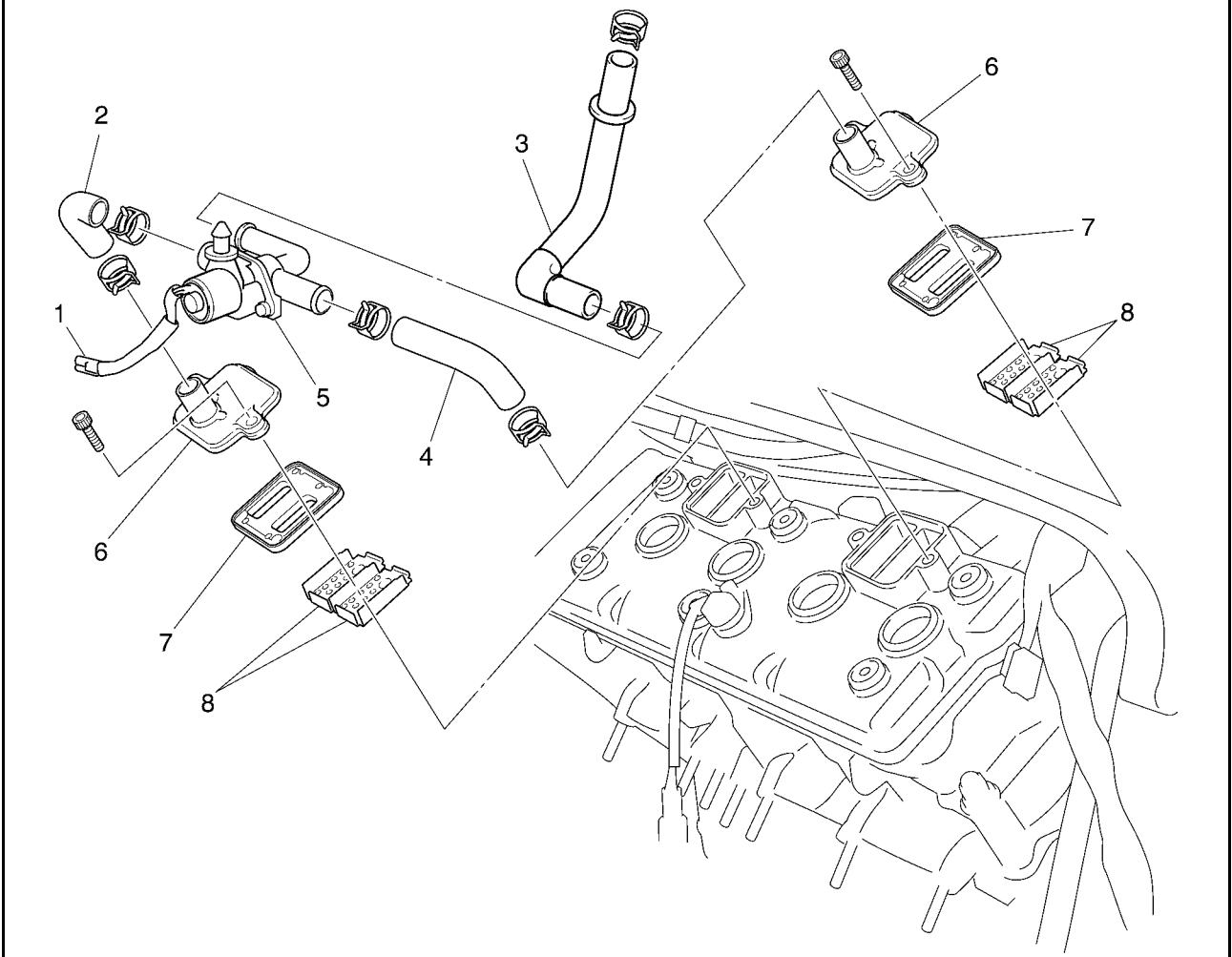
THROTTLE BODIES



EAS27040

AIR INDUCTION SYSTEM

Removing the air cut-off valve assembly and hoses



Order	Job/Parts to remove	Q'ty	Remarks
1	Air cut-off valve coupler	1	Disconnect.
2	Air cut-off valve hose 1	1	Disconnect.
3	Air cut-off valve hose 2	1	Disconnect.
4	Air cut-off valve hose 3	1	Disconnect.
5	Air cut-off valve	1	
6	Reed valve cap	2	
7	Reed valve assembly	2	
8	Plate	4	
			For installation, reverse the removal procedure.

EAS27060

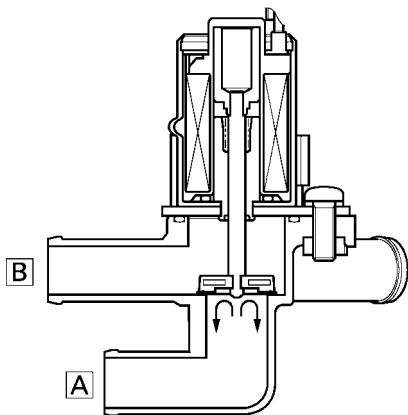
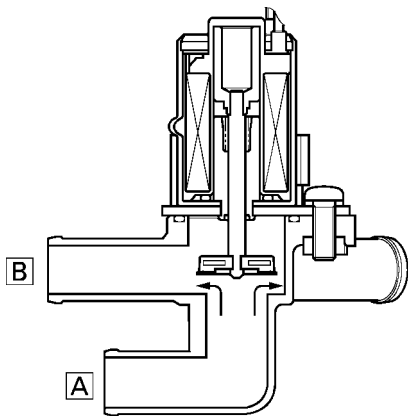
CHECKING THE AIR INDUCTION SYSTEM

Air injection

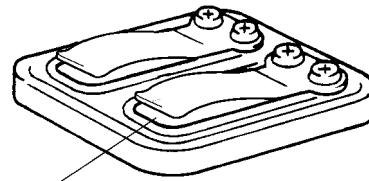
The air induction system burns unburned exhaust gases by injecting fresh air (secondary air) into the exhaust port, reducing the emission of hydrocarbons. When there is negative pressure at the exhaust port, the reed valve opens, allowing secondary air to flow into the exhaust port. The required temperature for burning the unburned exhaust gases is approximately 600 to 700°C.

Air cut-off valve

The air cut-off valve is controlled by the signals from the ECU in accordance with the combustion conditions. Ordinarily, the air cut-off valve opens to allow the air to flow during idle and closes to cut-off the flow when the vehicle is being driven. However, if the coolant temperature is below the specified value, the air cut-off valve remains open and allows the air to flow into the exhaust pipe until the temperature becomes higher than the specified value.

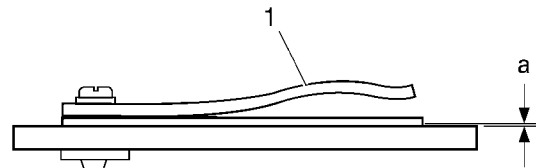
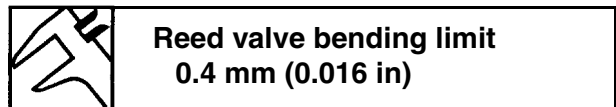


- A. From the air cleaner
 - B. To the cylinder head
1. Check:
 - Hoses
Loose connections → Connect properly.
Cracks/damage → Replace.
 - Pipes
Cracks/damage → Replace.
 2. Check:
 - Reed valve "1"
 - Reed valve stopper
 - Reed valve seat
Cracks/damage → Replace the reed valve.



1

3. Measure:
 - Reed valve bending limit "a"
Out of specification → Replace the reed valve.



14710301

4. Check:
 - Air cut-off valve
Cracks/damage → Replace.
5. Check
 - Air induction system solenoid
Refer to "CHECKING THE AIR INDUCTION SYSTEM SOLENOID" on page 8-98.

ELECTRICAL SYSTEM

IGNITION SYSTEM	8-1
CIRCUIT DIAGRAM.....	8-1
TROUBLESHOOTING.....	8-3
ELECTRIC STARTING SYSTEM	8-5
CIRCUIT DIAGRAM.....	8-5
STARTING CIRCUIT CUT-OFF SYSTEM OPERATION.....	8-7
TROUBLESHOOTING.....	8-9
CHARGING SYSTEM	8-11
CIRCUIT DIAGRAM.....	8-11
TROUBLESHOOTING.....	8-13
LIGHTING SYSTEM	8-15
CIRCUIT DIAGRAM.....	8-15
TROUBLESHOOTING.....	8-17
SIGNALING SYSTEM	8-19
CIRCUIT DIAGRAM.....	8-19
TROUBLESHOOTING.....	8-21
COOLING SYSTEM	8-25
CIRCUIT DIAGRAM.....	8-25
TROUBLESHOOTING.....	8-26
FUEL INJECTION SYSTEM	8-29
CIRCUIT DIAGRAM.....	8-29
ECU SELF-DIAGNOSTIC FUNCTION.....	8-31
FAIL-SAFE ACTIONS (SUBSTITUTE CHARACTERISTICS OPERATION CONTROL).....	8-32
TROUBLESHOOTING METHOD.....	8-35
DIAGNOSTIC MODE.....	8-36
TROUBLESHOOTING DETAILS.....	8-44
FUEL PUMP SYSTEM	8-65
CIRCUIT DIAGRAM.....	8-65
TROUBLESHOOTING.....	8-67
IMMOBILIZER SYSTEM	8-69
CIRCUIT DIAGRAM.....	8-69
GENERAL INFORMATION.....	8-71
PART REPLACEMENT AND KEY CODE REGISTRATION REQUIREMENTS.....	8-71
TROUBLESHOOTING.....	8-74
SELF-DIAGNOSIS FAULT CODE INDICATION.....	8-75

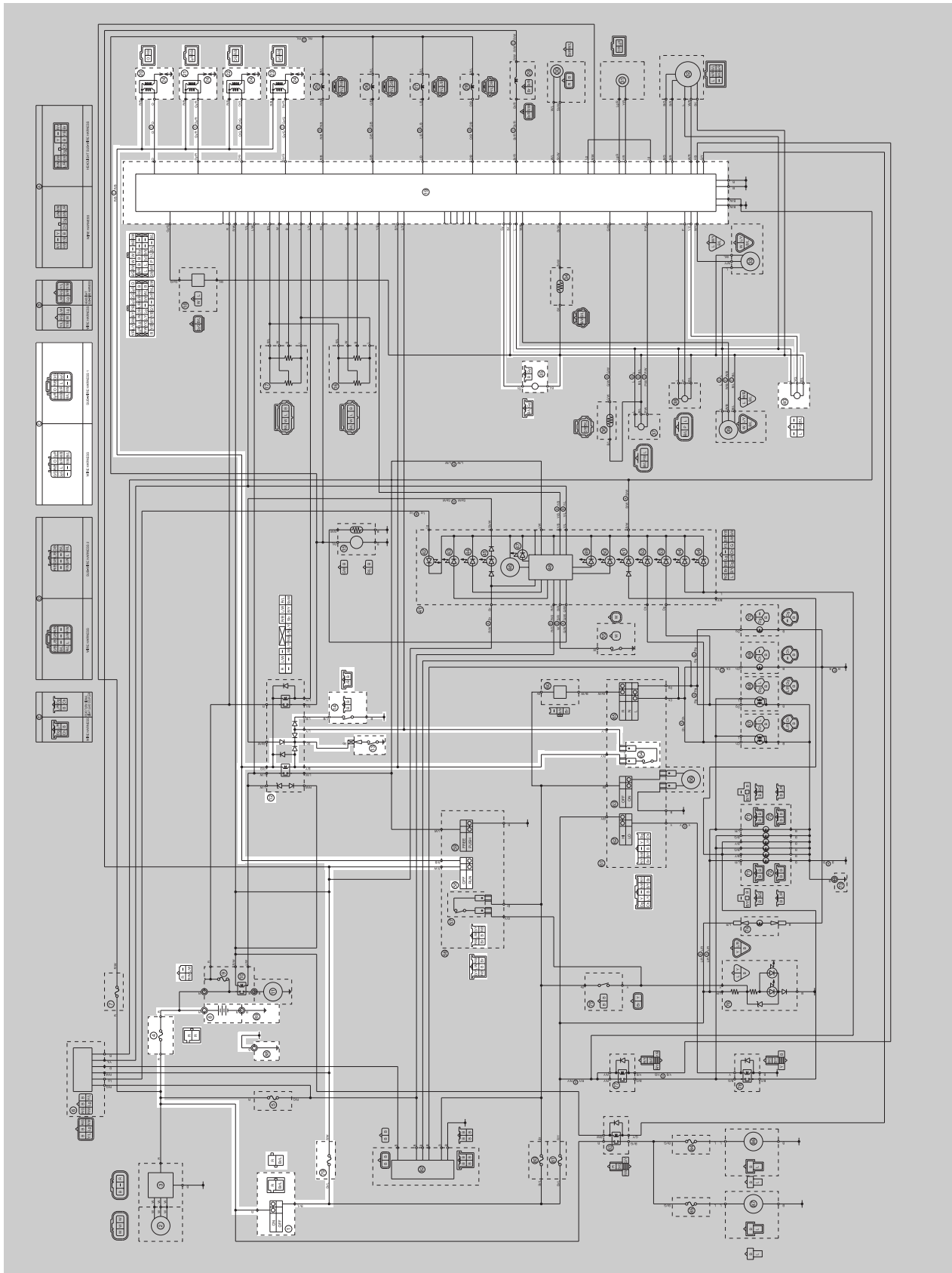
ELECTRICAL COMPONENTS	8-77
CHECKING THE SWITCHES.....	8-81
CHECKING THE BULBS AND BULB SOCKETS.....	8-84
CHECKING THE FUSES.....	8-85
CHECKING AND CHARGING THE BATTERY.....	8-85
CHECKING THE RELAYS.....	8-88
CHECKING THE TURN SIGNAL RELAY.....	8-89
CHECKING THE RELAY UNIT (DIODE).....	8-90
CHECKING THE IGNITION COILS.....	8-91
CHECKING THE CRANKSHAFT POSITION SENSOR.....	8-92
CHECKING THE LEAN ANGLE SENSOR.....	8-92
CHECKING THE STARTER MOTOR OPERATION.....	8-93
CHECKING THE STATOR COIL.....	8-93
CHECKING THE RECTIFIER/REGULATOR.....	8-93
CHECKING THE HORN.....	8-94
CHECKING THE OIL LEVEL SWITCH.....	8-94
CHECKING THE FUEL SENDER.....	8-95
CHECKING THE SPEED SENSOR.....	8-95
CHECKING THE RADIATOR FAN MOTORS.....	8-96
CHECKING THE COOLANT TEMPERATURE SENSOR.....	8-96
CHECKING THE THROTTLE POSITION SENSOR (FOR THROTTLE CABLE PULLEY).....	8-97
CHECKING THE THROTTLE POSITION SENSOR (FOR THROTTLE VALVES).....	8-97
CHECKING THE AIR INDUCTION SYSTEM SOLENOID.....	8-98
CHECKING THE ATMOSPHERIC PRESSURE SENSOR.....	8-98
CHECKING THE CYLINDER IDENTIFICATION SENSOR.....	8-99
CHECKING THE INTAKE AIR PRESSURE SENSOR.....	8-99
CHECKING THE INTAKE AIR TEMPERATURE SENSOR.....	8-99

EAS27090

IGNITION SYSTEM

EAS27110

CIRCUIT DIAGRAM



- 1. Main switch
- 4. Main fuse
- 8. Battery
- 12. Starting circuit cut-off relay
- 13. Neutral switch
- 14. Sidestand switch
- 19. ECU (engine control unit)
- 20. Ignition coil #1
- 21. Ignition coil #2
- 22. Ignition coil #3
- 23. Ignition coil #4
- 24. Spark plug
- 35. Crankshaft position sensor
- 40. Lean angle sensor
- 58. Engine stop switch
- 64. Clutch switch
- 79. Ignition fuse
- 88. Ground
- 89. Battery negative lead

EAS27150

TROUBLESHOOTING

The ignition system fails to operate (no spark or intermittent spark).

NOTE:

- Before troubleshooting, remove the following part(s):

- 1 Rider seat
- 2 Passenger seat
- 3 Fuel tank
- 4 Side cowlings

<p>1 Check the fuses. (Main and ignition) Refer to "CHECKING THE FUSES" on page 8-85.</p>	NG→	<p>Replace the fuse(s).</p>
OK↓		
<p>2 Check the battery. Refer to "CHECKING AND CHARGING THE BATTERY" on page 8-85.</p>	NG→	<ul style="list-style-type: none"> • Clean the battery terminals. • Recharge or replace the battery.
OK↓		
<p>3 Check the spark plugs. Refer to "CHECKING THE SPARK PLUGS" on page 3-9.</p>	NG→	<p>Re-gap or replace the spark plugs.</p>
OK↓		
<p>4 Check the ignition spark gap. Refer to "CHECKING THE IGNI- TION COILS" on page 8-91.</p>	NG→	<p>Ignition system is OK.</p>
OK↓		
<p>5 Check the ignition coils. Refer to "CHECKING THE IGNI- TION COILS" on page 8-91.</p>	NG→	<p>Replace the ignition coils.</p>
OK↓		
<p>6 Check the crankshaft position sen- sor. Refer to "CHECKING THE CRANKSHAFT POSITION SEN- SOR" on page 8-92.</p>	NG→	<p>Replace the crankshaft position sen- sor.</p>
OK↓		
<p>7 Check the main switch. Refer to "CHECKING THE SWITCHES" on page 8-81.</p>	NG→	<p>Replace the main switch/immobilizer unit assembly.</p>
OK↓		

IGNITION SYSTEM

8 Check the engine stop switch. Refer to "CHECKING THE SWITCHES" on page 8-81.	NG→	Replace the right handlebar switch.
OK↓		
9 Check the neutral switch. Refer to "CHECKING THE SWITCHES" on page 8-81.	NG→	Replace the neutral switch.
OK↓		
10 Check the sidestand switch. Refer to "CHECKING THE SWITCHES" on page 8-81.	NG→	Replace the sidestand switch.
OK↓		
11 Check the clutch switch. Refer to "CHECKING THE SWITCHES" on page 8-81.	NG→	Replace the clutch switch.
OK↓		
12 Check the starting circuit cut-off relay. Refer to "CHECKING THE RELAYS" on page 8-88.	NG→	Replace the starting circuit cut-off relay.
OK↓		
13 Check the lean angle sensor. Refer to "CHECKING THE LEAN ANGLE SENSOR" on page 8-92.	NG→	Replace the lean angle sensor.
OK↓		
14 Check the entire ignition system's wiring. Refer to "CIRCUIT DIAGRAM" on page 8-1.	NG→	Properly connect or repair the ignition system's wiring
OK↓		
Replace the ECU.		

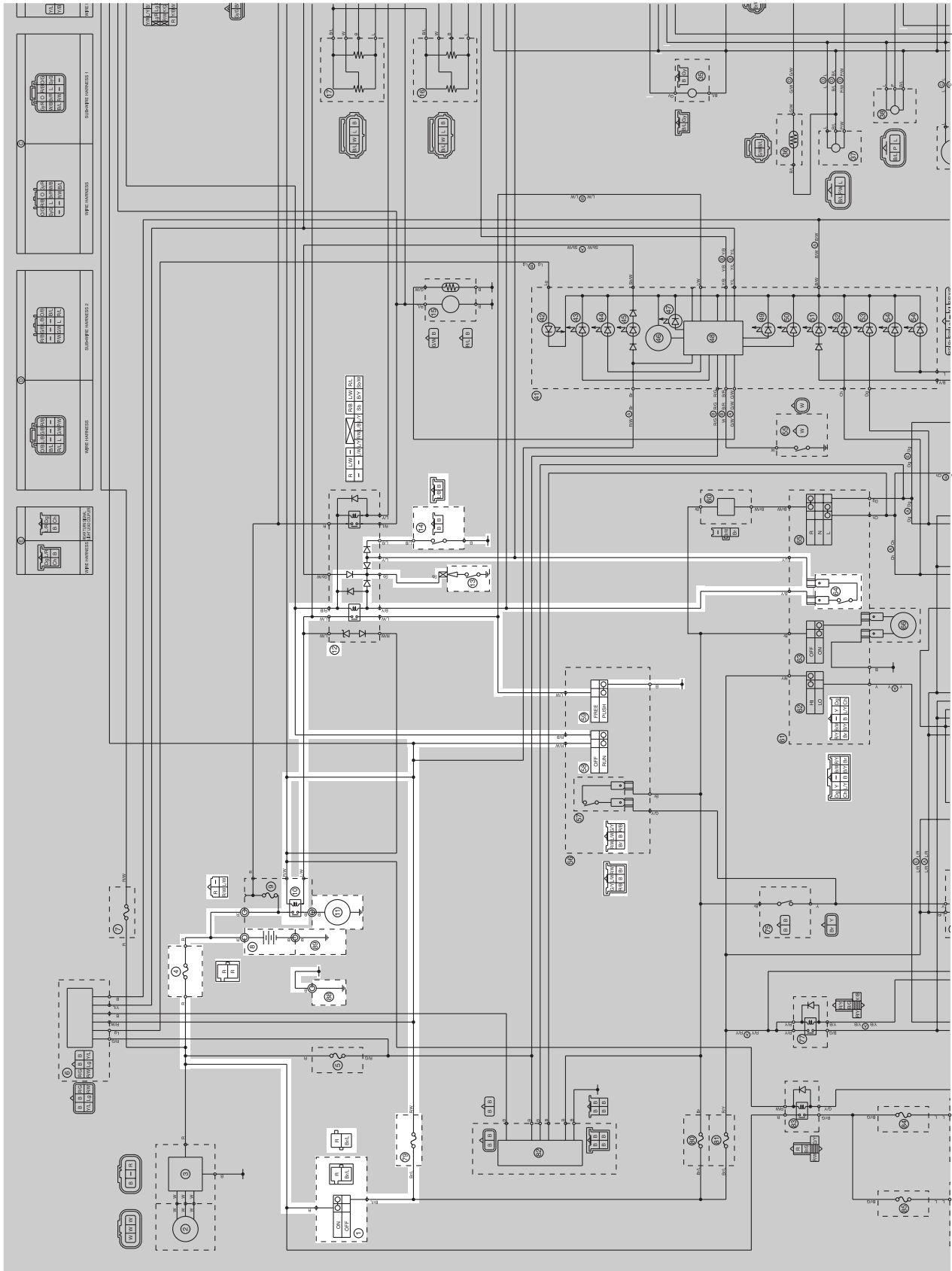
ELECTRIC STARTING SYSTEM

EAS27160

ELECTRIC STARTING SYSTEM

EAS27170

CIRCUIT DIAGRAM



ELECTRIC STARTING SYSTEM

- 1. Main switch
- 4. Main fuse
- 8. Battery
- 10. Starter relay
- 11. Starter motor
- 12. Starting circuit cut-off relay
- 13. Neutral switch
- 14. Sidestand switch
- 58. Engine stop switch
- 59. Start switch
- 64. Clutch switch
- 79. Ignition fuse
- 88. Ground
- 89. Battery negative lead

ELECTRIC STARTING SYSTEM

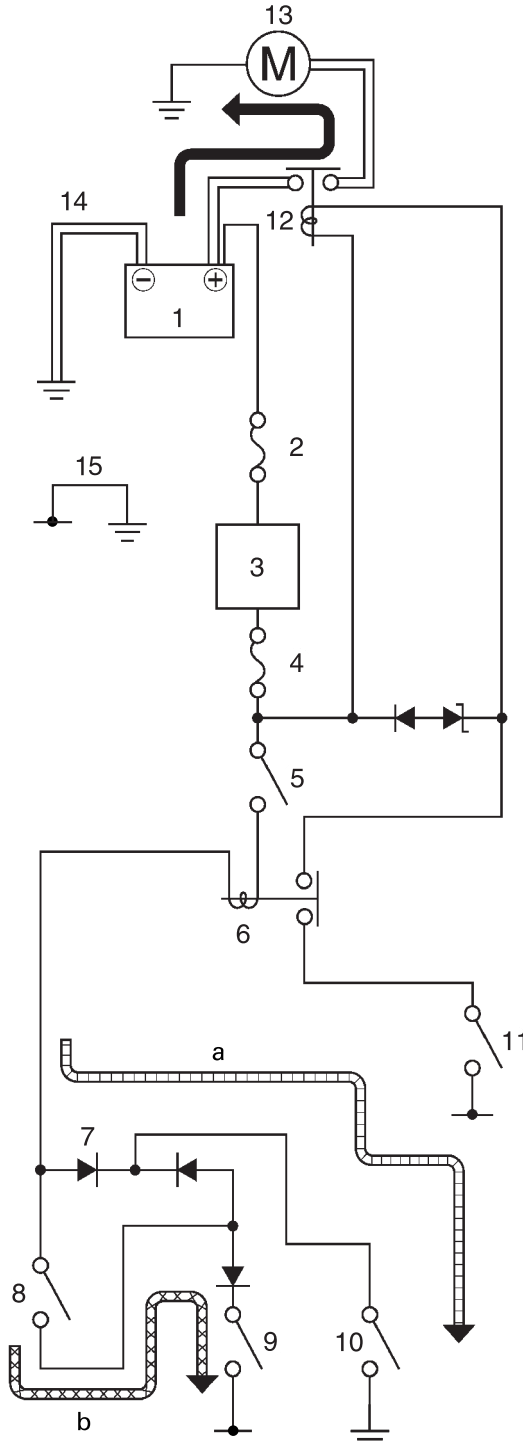
EAS27180

STARTING CIRCUIT CUT-OFF SYSTEM OPERATION

If the engine stop switch is set to “○” and the main switch is set to “ON” (both switches are closed), the starter motor can only operate if at least one of the following conditions is met:

- The transmission is in neutral (the neutral switch is closed).
- The clutch lever is pulled to the handlebar (the clutch switch is closed) and the sidestand is up (the sidestand switch is closed).

The starting circuit cut-off relay prevents the starter motor from operating when neither of these conditions has been met. In this instance, the starting circuit cut-off relay is open so current cannot reach the starter motor. When at least one of the above conditions has been met the starting circuit cut-off relay is closed and the engine can be started by pressing the starter switch.



ELECTRIC STARTING SYSTEM

- a. WHEN THE TRANSMISSION IS IN NEUTRAL
- b. WHEN THE SIDESTAND IS UP AND THE CLUTCH LEVER IS PULLED TO THE HANDLEBAR
 - 1. Battery
 - 2. Main fuse
 - 3. Main switch
 - 4. Ignition fuse
 - 5. Engine stop switch
 - 6. Starting circuit cut-off relay
 - 7. Diode
 - 8. Clutch switch
 - 9. Sidestand switch
 - 10. Neutral switch
 - 11. Start switch
 - 12. Starter relay
 - 13. Starter motor
 - 14. Battery negative lead
 - 15. Ground

ELECTRIC STARTING SYSTEM

EAS27190

TROUBLESHOOTING

The starter motor fails to turn.

NOTE:

- Before troubleshooting, remove the following part(s):

- 1 Rider seat
- 2 Passenger seat
- 3 Fuel tank
- 4 Air filter case

1 Check the fuses. (Main and ignition) Refer to "CHECKING THE FUSES" on page 8-85.	NG→	Replace the fuse(s).
OK↓		
2 Check the battery. Refer to "CHECKING AND CHARGING THE BATTERY" on page 8-85.	NG→	<ul style="list-style-type: none">• Clean the battery terminals.• Recharge or replace the battery.
OK↓		
3 Check the starter motor operation. Refer to "CHECKING THE STARTER MOTOR OPERATION" on page 8-93.	NG→	Repair or replace the starter motor.
OK↓		
4 Check the starter motor. Refer to "CHECKING THE STARTER MOTOR" on page 5-41.	NG→	Repair or replace the starter motor.
OK↓		
5 Check the starting circuit cut-off relay. Refer to "CHECKING THE RELAYS" on page 8-88.	NG→	Replace the starting circuit cut-off relay.
OK↓		
6 Check the starter relay. Refer to "CHECKING THE RELAYS" on page 8-88.	NG→	Replace the starter relay.
OK↓		
7 Check the main switch. Refer to "CHECKING THE SWITCHES" on page 8-81.	NG→	Replace the main switch/immobilizer unit assembly.
OK↓		

ELECTRIC STARTING SYSTEM

8 Check the engine stop switch.
Refer to "CHECKING THE SWITCHES" on page 8-81.

NG→

Replace the right handlebar switch.

OK↓

9 Check the neutral switch.
Refer to "CHECKING THE SWITCHES" on page 8-81.

NG→

Replace the neutral switch.

OK↓

10 Check the sidestand switch.
Refer to "CHECKING THE SWITCHES" on page 8-81.

NG→

Replace the sidestand switch.

OK↓

11 Check the clutch switch.
Refer to "CHECKING THE SWITCHES" on page 8-81.

NG→

Replace the clutch switch.

OK↓

12 Check the start switch.
Refer to "CHECKING THE SWITCHES" on page 8-81.

NG→

Replace the right handlebar switch.

OK↓

13 Check the entire starting system's wiring.
Refer to "ELECTRIC STARTING SYSTEM" on page 8-5.

NG→

Properly connect or repair the starting system's wiring

OK↓

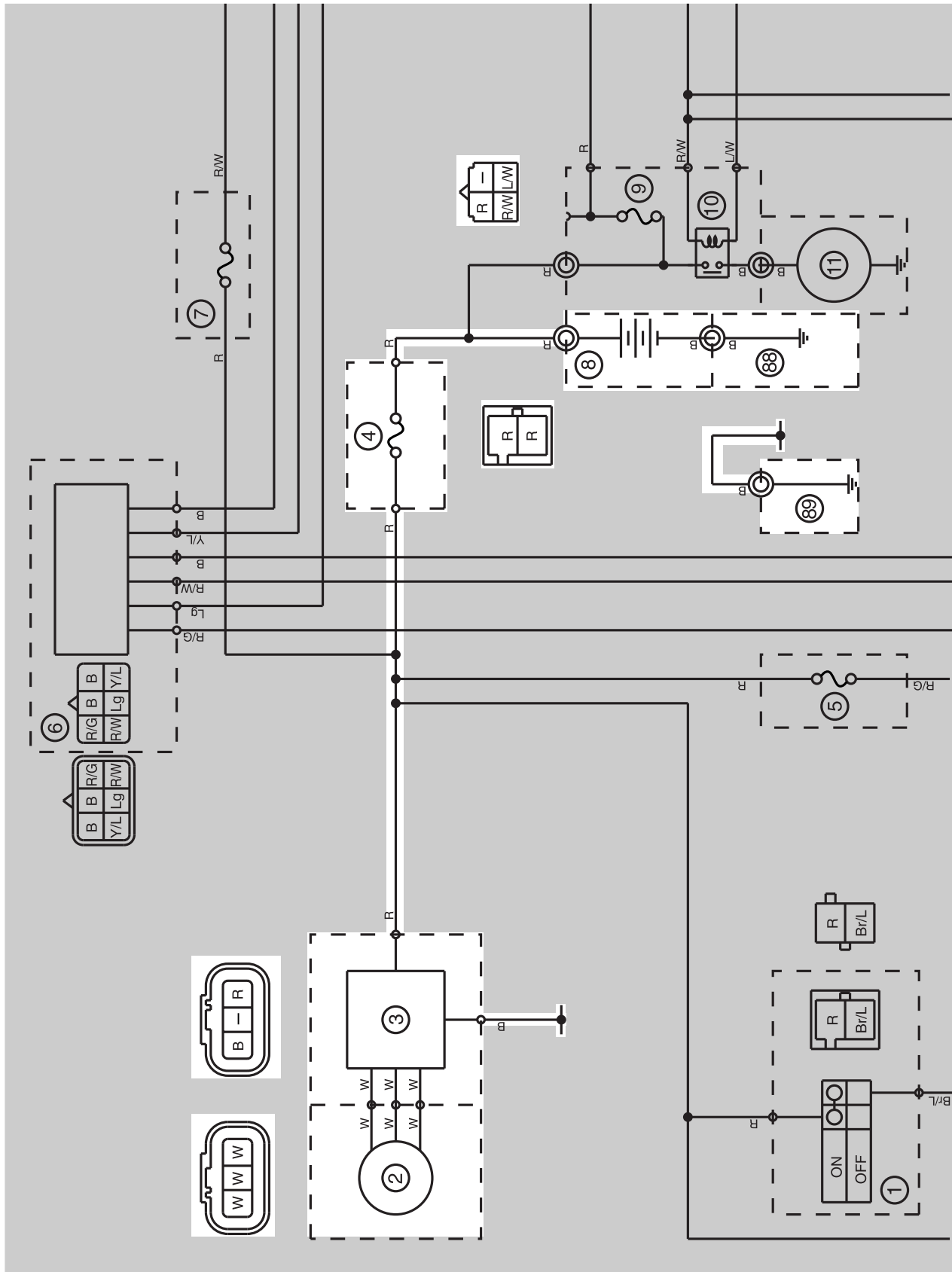
The starting system circuit is OK.

EAS27200

CHARGING SYSTEM

EAS27210

CIRCUIT DIAGRAM



- 2. AC magneto
- 3. Rectifier/regulator
- 4. Main fuse
- 8. Battery
- 88. Ground
- 89. Battery negative lead

EAS27230

TROUBLESHOOTING

The battery is not being charged.

NOTE:

- Before troubleshooting, remove the following part(s):

1 Rider seat

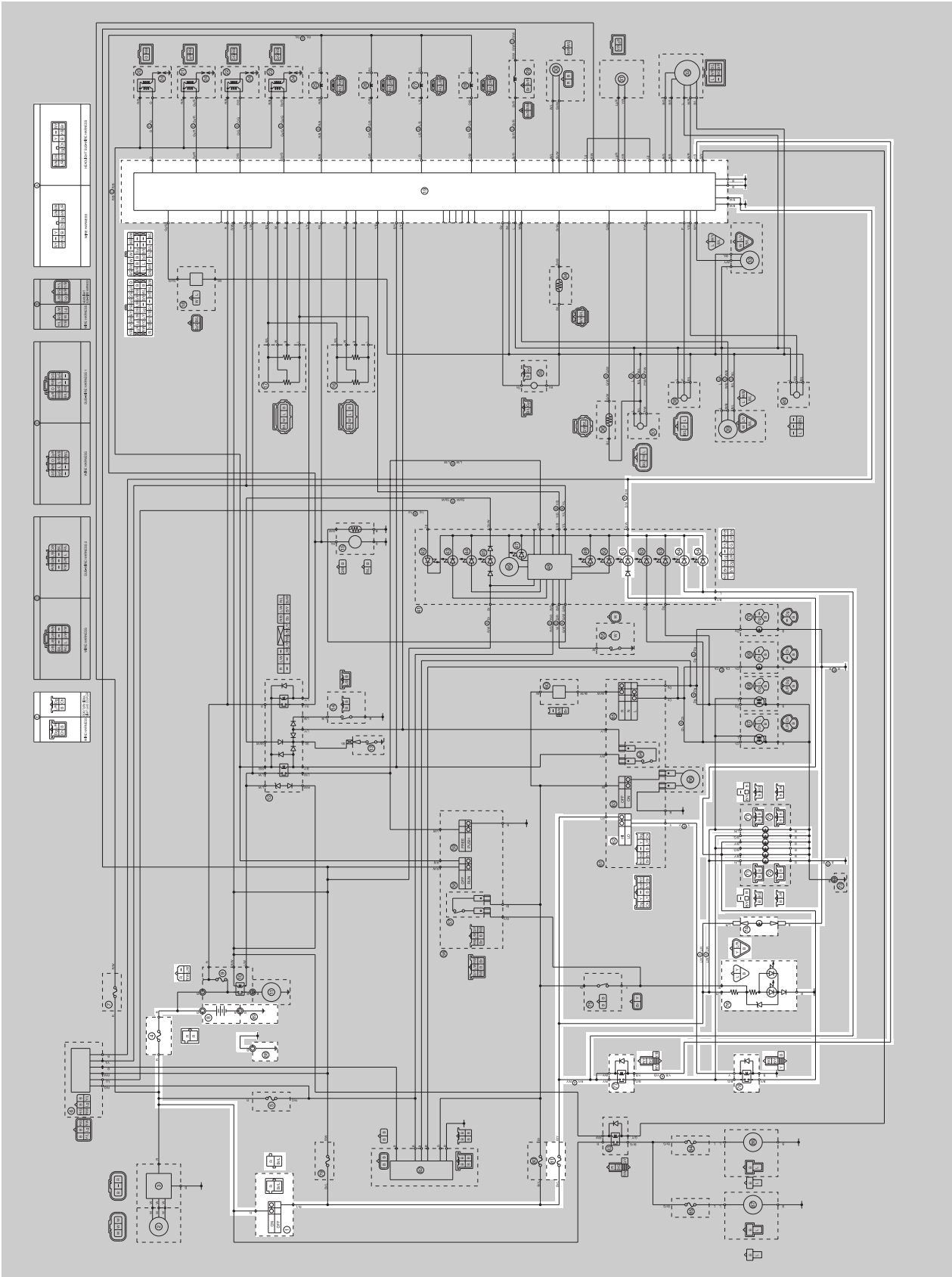
2 Fuel tank

3 Air filter case

1 Check the fuse. (Main) Refer to "CHECKING THE FUSES" on page 8-85.	NG→	Replace the fuse.
OK↓		
2 Check the battery. Refer to "CHECKING AND CHARGING THE BATTERY" on page 8-85.	NG→	<ul style="list-style-type: none">• Clean the battery terminals.• Recharge or replace the battery.
OK↓		
3 Check the stator coil Refer to "CHECKING THE STATOR COIL" on page 8-93.	NG→	<ul style="list-style-type: none">• Replace the stator coil assembly.
OK↓		
4 Check the rectifier/regulator. Refer to "CHECKING THE RECTI- FIER/REGULATOR" on page 8-93.	NG→	Replace the rectifier/regulator.
OK↓		
5 Check the entire charging system's wiring. Refer to "CHARGING SYSTEM" on page 8-11.	NG→	Properly connect or repair the charg- ing system's wiring.
OK↓		
This circuit is OK.		

EAS27240
LIGHTING SYSTEM

EAS27250
CIRCUIT DIAGRAM



- 1. Main switch
- 4. Main fuse
- 8. Battery
- 19. ECU (engine control unit)
- 51. High beam indicator light
- 54. Meter light
- 62. Dimmer switch
- 71. Headlight
- 72. Auxiliary light
- 74. License plate light
- 76. Tail/brake light
- 77. Headlight relay (on/off)
- 78. Headlight relay (dimmer)
- 81. Headlight fuse
- 88. Ground
- 89. Battery negative lead

EAS27260

TROUBLESHOOTING

Any of the following fail to light: headlight, high beam indicator light, taillight, license light or meter light.

NOTE:

- Before troubleshooting, remove the following part(s):

- 1 Rider seat
- 2 Fuel tank
- 3 Side cowlings

<p>1 Check the each bulbs and bulb sockets condition. Refer to "CHECKING THE BULBS AND BULB SOCKETS" on page 8-84.</p>	NG→	<p>Replace the bulb(s) and bulb socket(s).</p>
OK↓		
<p>2 Check the fuses. (Main, headlight and park) Refer to "CHECKING THE FUSES" on page 8-85.</p>	NG→	<p>Replace the fuse(s).</p>
OK↓		
<p>3 Check the battery. Refer to "CHECKING AND CHARGING THE BATTERY" on page 8-85.</p>	NG→	<ul style="list-style-type: none"> • Clean the battery terminals. • Recharge or replace the battery.
OK↓		
<p>4 Check the main switch. Refer to "CHECKING THE SWITCHES" on page 8-81.</p>	NG→	<p>Replace the immobilizer unit.</p>
OK↓		
<p>5 Check the dimmer switch. Refer to "CHECKING THE SWITCHES" on page 8-81.</p>	NG→	<p>The dimmer switch is faulty. Replace the left handlebar switch.</p>
OK↓		
<p>6 Check the rear brake light switch. Refer to "CHECKING THE SWITCHES" on page 8-81.</p>	NG→	<p>Replace the rear brake light switch.</p>
OK↓		
<p>7 Check the headlight relay (on/off). Refer to "CHECKING THE RELAYS" on page 8-88.</p>	NG→	<p>Replace the headlight relay.</p>
OK↓		

LIGHTING SYSTEM

8 Check the headlight relay (dimmer).
Refer to "CHECKING THE
RELAYS" on page 8-88.

NG→

Replace the headlight relay.

OK↓

9 Check the entire lighting system's
wiring.
Refer to "LIGHTING SYSTEM" on
page 8-15.

NG→

Properly connect or repair the lighting
system's wiring.

OK↓

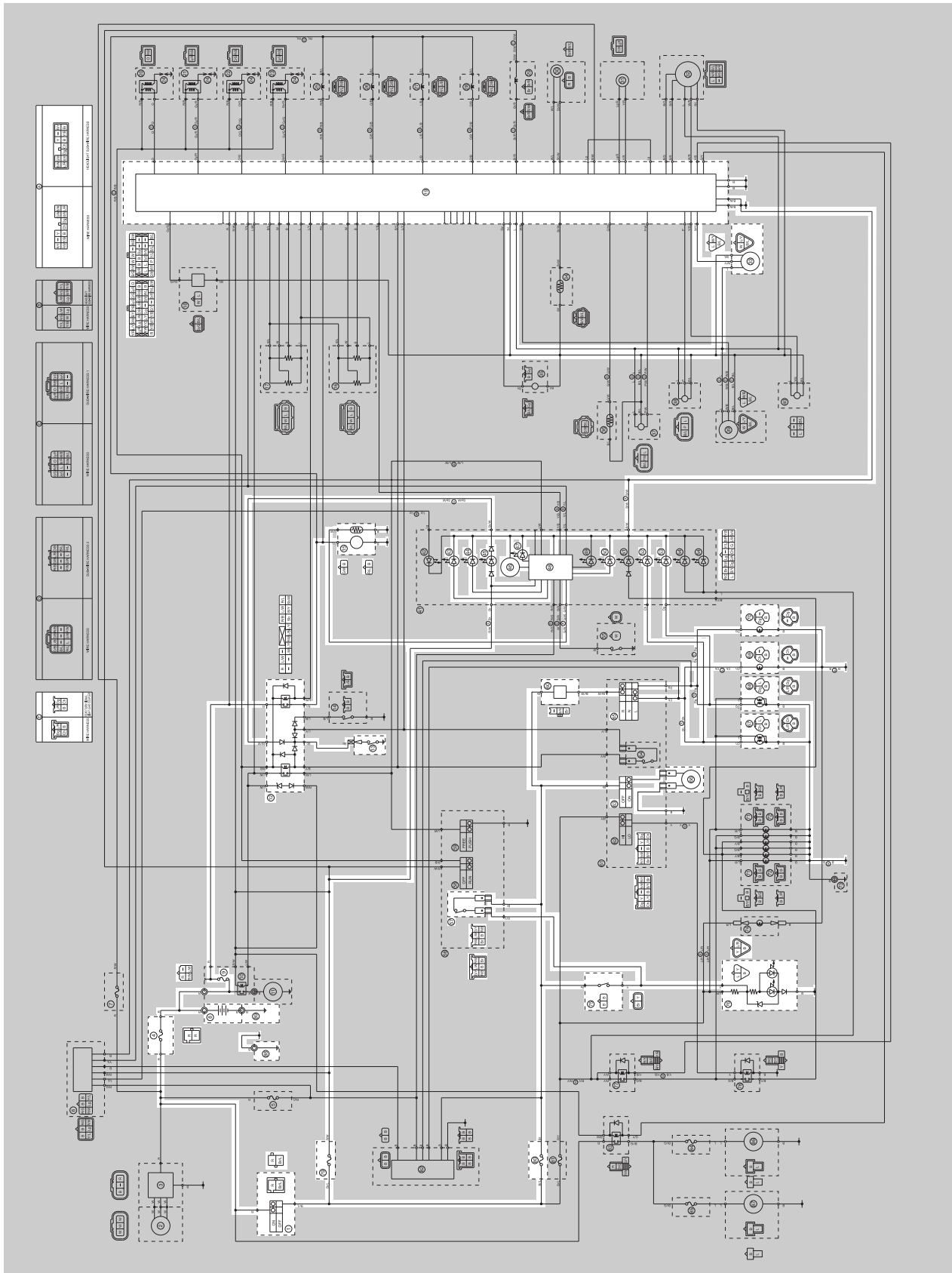
This circuit is OK.

EAS27270

SIGNALING SYSTEM

EAS27280

CIRCUIT DIAGRAM



1. Main switch
4. Main fuse
8. Battery
9. Fuel injection system fuse
12. Starting circuit cut-off relay
13. Neutral switch
15. Fuel pump
19. ECU (engine control unit)
33. Speed sensor
43. Fuel level warning light
44. Oil level warning light
45. Neutral indicator light
46. Tacho meter
47. Shift timing indicator light
48. Multi-function meter
50. Coolant temperature indicator light
52. Left turn signal indicator light
53. Right turn signal indicator light
57. Front brake light switch
60. Turn signal relay
63. Horn switch
65. Turn signal switch
66. Horn
67. Front left turn signal light
68. Front right turn signal light
69. Rear left turn signal light
70. Rear right turn signal light
75. Rear brake light switch
76. Tail/brake light
79. Ignition fuse
80. Signal fuse
88. Ground
89. Battery negative lead

EAS27290

TROUBLESHOOTING

- Any of the following fail to light: turn signal light, brake light or an indicator light.
- The horn fails to sound.

NOTE:

- Before troubleshooting, remove the following part(s):

- 1 Rider seat
- 2 Passenger seat
- 3 Fuel tank
- 4 Side cowling

<p>1 Check the fuses. (Main, fuel injection system, headlight, Turn signal light, signal) Refer to "CHECKING THE FUSES" on page 8-85.</p>	<p>NG→</p>	<p>Replace the fuse(s).</p>
<p>OK↓</p>		
<p>2 Check the battery. Refer to "CHECKING AND CHARGING THE BATTERY" on page 8-85.</p>	<p>NG→</p>	<ul style="list-style-type: none"> • Clean the battery terminals. • Recharge or replace the battery.
<p>OK↓</p>		
<p>3 Check the main switch. Refer to "CHECKING THE SWITCHES" on page 8-81.</p>	<p>NG→</p>	<p>Replace the main switch/immobilizer unit assembly.</p>
<p>OK↓</p>		
<p>4 Check the entire signaling system's wiring. Refer to "SIGNALING SYSTEM" on page 8-19.</p>	<p>NG→</p>	<p>Properly connect or repair the signaling system's wiring.</p>
<p>OK↓</p>		
<p>This circuit is OK.</p>		

Check the signaling system

The horn fails to sound.

<p>1 Check the horn switch. Refer to "CHECKING THE SWITCHES" on page 8-81.</p>	<p>NG→</p>	<p>Replace the left handlebar switch.</p>
<p>OK↓</p>		
<p>2 Check the horn. Refer to "CHECKING THE HORN" on page 8-94.</p>	<p>NG→</p>	<p>Replace the horn.</p>
<p>OK↓</p>		

<p>3 Check the entire signaling system's wiring. Refer to "SIGNALING SYSTEM" on page 8-19.</p>	<p>NG→</p>	<p>Properly connect or repair the signaling system's wiring.</p>
<p>OK↓</p>		
<p>This circuit is OK.</p>		
<p>The tail/brake light fails to come on.</p>		
<p>1 Check the tail/brake light bulb and socket. Refer to "CHECKING THE BULBS AND BULB SOCKETS" on page 8-84.</p>	<p>NG→</p>	<p>Replace the tail/brake light bulb, socket or both.</p>
<p>OK↓</p>		
<p>2 Check the front brake light switch. Refer to "CHECKING THE SWITCHES" on page 8-81.</p>	<p>NG→</p>	<p>Replace the front brake light switch.</p>
<p>OK↓</p>		
<p>3 Check the rear brake light switch. Refer to "CHECKING THE SWITCHES" on page 8-81.</p>	<p>NG→</p>	<p>Replace the rear brake light switch.</p>
<p>OK↓</p>		
<p>4 Check the entire signaling system's wiring. Refer to "SIGNALING SYSTEM" on page 8-19.</p>	<p>NG→</p>	<p>Properly connect or repair the signaling system's wiring.</p>
<p>OK↓</p>		
<p>This circuit is OK.</p>		
<p>The turn signal light, turn signal indicator light or both fail to blink.</p>		
<p>1 Check the turn signal light bulb and socket. Refer to "CHECKING THE BULBS AND BULB SOCKETS" on page 8-84.</p>	<p>NG→</p>	<p>Replace the turn signal indicator light bulb, socket or both.</p>
<p>OK↓</p>		
<p>2 Check the turn signal switch. Refer to "CHECKING THE SWITCHES" on page 8-81.</p>	<p>NG→</p>	<p>Replace the left handlebar switch.</p>
<p>OK↓</p>		

3 Check the turn signal relay. Refer to "CHECKING THE RELAYS" on page 8-88.	NG→	The turn signal relay is faulty and must be replaced.
OK↓		
4 Check the entire signaling system's wiring. Refer to "SIGNALING SYSTEM" on page 8-19.	NG→	Properly connect or repair the signaling system's wiring.
OK↓		
This circuit is OK.		
The neutral indicator light fails to come on.		
1 Check the neutral switch. Refer to "CHECKING THE SWITCHES" on page 8-81.	NG→	Replace the neutral switch.
OK↓		
2 Check the entire signaling system's wiring. Refer to "SIGNALING SYSTEM" on page 8-19.	NG→	Properly connect or repair the signaling system's wiring.
OK↓		
This circuit is OK.		
The oil level warning light fails to come on.		
1 Check the oil level switch. Refer to "CHECKING THE SWITCHES" on page 8-81.	NG→	Replace the oil level switch.
OK↓		
2 Check the entire signaling system's wiring. Refer to "SIGNALING SYSTEM" on page 8-19.	NG→	Properly connect or repair the signaling system's wiring.
OK↓		
This circuit is OK.		
The fuel level warning light fails to come on.		
1 Check the fuel sender. Refer to "CHECKING THE FUEL SENDER" on page 8-95.	NG→	Replace the fuel pump assembly.
OK↓		

2 Check the entire signaling system's wiring.
Refer to "SIGNALING SYSTEM" on page 8-19.

NG→

Properly connect or repair the signaling system's wiring.

OK↓

This circuit is OK.

The speedometer fails to operate.

1 Check the speed sensor.
Refer to "CHECKING THE SPEED SENSOR" on page 8-95.

NG→

Replace the speed sensor.

OK↓

2 Check the entire signaling system's wiring.
Refer to "SIGNALING SYSTEM" on page 8-19.

NG→

Properly connect or repair the signaling system's wiring.

OK↓

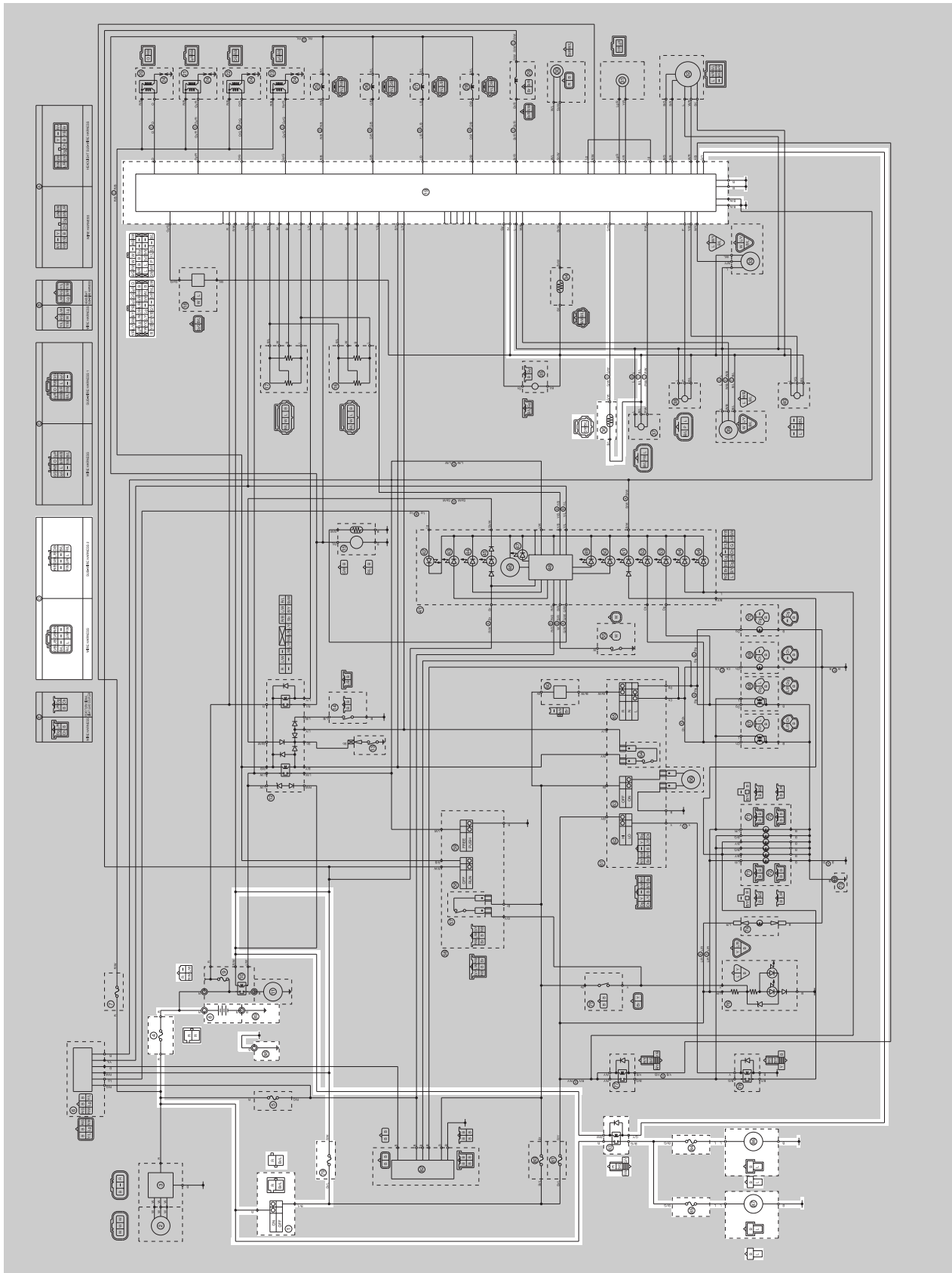
Replace the meter assembly.

EAS27300

COOLING SYSTEM

EAS27310

CIRCUIT DIAGRAM



- | | |
|--------------------------------|-----------------------------------|
| 1. Main switch | 84. Right radiator fan motor fuse |
| 4. Main fuse | 85. Left radiator fan motor fuse |
| 8. Battery | 86. Right radiator fan motor |
| 19. ECU (engine control unit) | 87. Left radiator fan motor |
| 36. Coolant temperature sensor | 88. Ground |
| 79. Ignition fuse | 89. Battery negative lead |
| 83. Radiator fan motor relay | |

EAS27320

TROUBLESHOOTING

NOTE:

- Before troubleshooting, remove the following part(s):

- 1 Rider seat
- 2 Passenger seat
- 3 Fuel tank
- 4 Side cowling

<p>1 Check the fuses. (Main, ignition and radiator fan motor) Refer to "CHECKING THE FUSES" on page 8-85.</p>	<p>NG→</p>	<p>Replace the fuse(s).</p>
OK↓		
<p>2 Check the battery. Refer to "CHECKING AND CHARGING THE BATTERY" on page 8-85.</p>	<p>NG→</p>	<ul style="list-style-type: none"> • Clean the battery terminals. • Recharge or replace the battery.
OK↓		
<p>3 Check the main switch. Refer to "CHECKING THE SWITCHES" on page 8-81.</p>	<p>NG→</p>	<p>Replace the immobilizer unit.</p>
OK↓		
<p>4 Check the radiator fan motor. Refer to "CHECKING THE RADIATOR FAN MOTORS" on page 8-96.</p>	<p>NG→</p>	<p>The radiator fan motor is faulty and must be replaced.</p>
OK↓		
<p>5 Check the radiator fan motor relay. Refer to "CHECKING THE RELAYS" on page 8-88.</p>	<p>NG→</p>	<p>Replace the radiator fan motor relay.</p>
OK↓		
<p>6 Check the coolant temperature. Refer to "CHECKING THE COOLANT TEMPERATURE SENSOR" on page 8-96.</p>	<p>NG→</p>	<p>Replace the coolant temperature sensor.</p>
OK↓		

7 Check the entire cooling system's wiring.
Refer to "COOLING SYSTEM" on page 8-25.

NG→

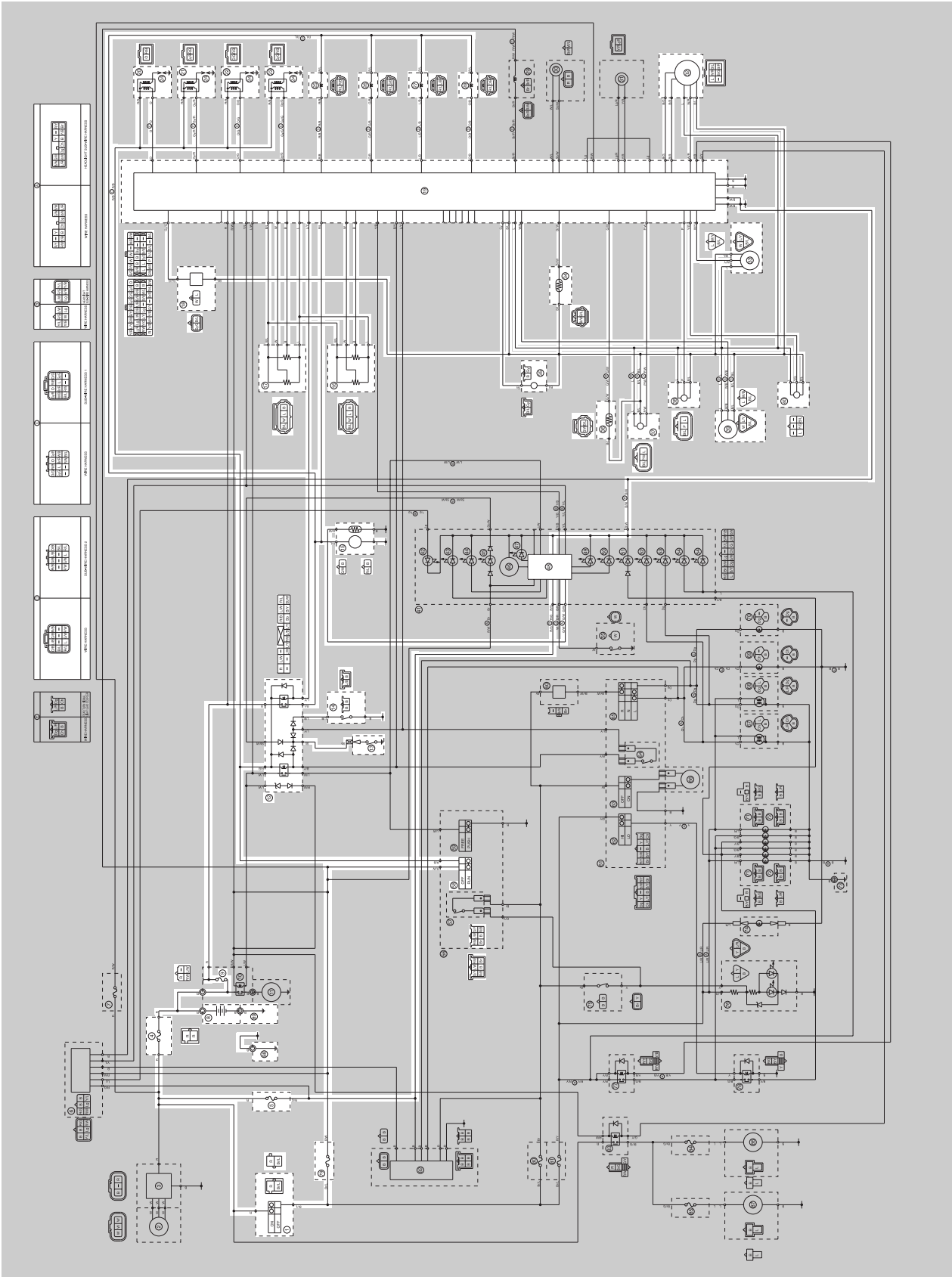
Properly connect or repair the cooling system's wiring.

OK↓

This circuit is OK.

EAS27330
FUEL INJECTION SYSTEM

EAS27340
CIRCUIT DIAGRAM



1. Main switch
4. Main fuse
5. Backup fuse
8. Battery
9. Fuel injection system fuse
12. Starting circuit cut-off relay
13. Neutral switch
14. Sidestand switch
15. Fuel pump
16. Throttle position sensor (for throttle valves)
17. Throttle position sensor (for throttle cable pulley)
18. O₂ sensor
19. ECU (engine control unit)
20. Ignition coil #1
21. Ignition coil #2
22. Ignition coil #3
23. Ignition coil #4
24. Spark plug
25. Injector #1
26. Injector #2
27. Injector #3
28. Injector #4
32. EXUP servo motor
33. Speed sensor
34. Intake air temperature sensor
35. Crankshaft position sensor
36. Coolant temperature sensor
37. Intake air pressure sensor
38. Atmospheric pressure sensor
39. Cylinder identification sensor
40. Lean angle sensor
48. Multi-function meter
58. Engine stop switch
81. Ignition fuse
91. Ground
92. Battery negative lead

EAS27350

ECU SELF-DIAGNOSTIC FUNCTION

The ECU is equipped with a self-diagnostic function in order to ensure that the fuel injection system is operating normally. If this function detects a malfunction in the system, it immediately operates the engine under substitute characteristics and illuminates the engine trouble warning light to alert the rider that a malfunction has occurred in the system. Once a malfunction has been detected, a fault code is stored in the memory of the ECU.

- To inform the rider that the fuel injection system is not functioning, the engine trouble warning light flashes when the start switch is being pushed to start the engine.
- If a malfunction is detected in the system by the self-diagnostic function, the ECU provides an appropriate substitute characteristic operation, and alerts the rider of the detected malfunction by illuminating the engine trouble warning light.
- After the engine has been stopped, the lowest fault code number appears on the odometer/trip meter/fuel reservoir trip meter/stop watch LCD. Once a fault code has been displayed, it remains stored in the memory of the ECU until it is deleted.

Engine trouble warning light indication and FI system operation

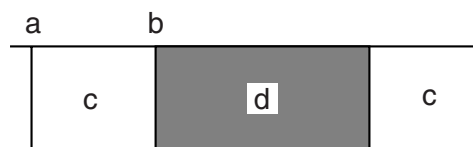
Warning light indication	ECU operation	FI operation	Vehicle operation
Flashing*	Warning provided when unable to start engine	Operation stopped	Cannot be operated
Remains on	Malfunction detected	Operated with substitute characteristics in accordance with the description of the malfunction	Can or cannot be operated depending on the fault code

* The warning light flashes when any one of the conditions listed below is present and the start switch is pushed:

- | | |
|--|--|
| 11: Cylinder identification sensor | 30: Lean angle sensor (latch up detected) |
| 12: Crankshaft position sensor | 41: Lean angle sensor (open or short-circuit) |
| 19: Sidestand switch (open circuit in the wire to the ECU) | 50: ECU internal malfunction (faulty ECU memory) |

Checking engine trouble warning light

The engine trouble warning light comes on for 1.4 seconds after the main switch has been turned to "ON" and it comes on while the start switch is being pushed. If the warning light does not come on under these conditions, the warning light (LED) may be defective.



- a. Main switch "OFF"
- b. Main switch "ON"
- c. Engine trouble warning light off
- d. Engine trouble warning light on for 1.4 seconds

EAS27362

FAIL-SAFE ACTIONS (SUBSTITUTE CHARACTERISTICS OPERATION CONTROL)

If the ECU detects an abnormal signal from a sensor while the vehicle is being driven, the ECU illuminates the engine trouble warning light and provides the engine with alternate operating instructions that are appropriate for the type of malfunction.

When an abnormal signal is received from a sensor, the ECU processes the specified values that are programmed for each sensor in order to provide the engine with alternate operating instructions that enable the engine to continue to operate or stop operating, depending on the conditions.

Self-Diagnostic Function table

Fault code No.	Item	Symptom	Able / unable to start	Able / unable to drive
11	Cylinder identification sensor	<ul style="list-style-type: none"> • No normal signals are received from the cylinder identification sensor. • Malfunction of electric starting system. 	Unable	Able
12	Crankshaft position sensor	No normal signals are received from the crankshaft position sensor.	Unable	Unable
13	Intake air pressure sensor (open or short circuit)	Intake air pressure sensor-open or short circuit detected.	Able	Able
14	Intake air pressure sensor (pipe system)	Intake air pressure sensor-pipe system malfunction (clogged or detached hose).	Able	Able
15	Throttle position sensor (for throttle valves) (open or short circuit/ loose connection)	Throttle position sensor (for throttle valves): open or short circuit detected. Throttle position sensor (for throttle valves) coupler connection is loose.	Able/Unable	Able/Unable
17	EXUP servo motor circuit (open or short circuit)	EXUP servo motor circuit: open or short circuit detected.	Able	Able
18	EXUP servo motor (stuck)	EXUP servo motor is stuck.	Able	Able
19	Sidestand switch (open circuit wire harness to ECU)	Open circuit is detected in the input line from the sidestand switch to the ECU.	Unable	Unable

FUEL INJECTION SYSTEM

Fault code No.	Item	Symptom	Able / unable to start	Able / unable to drive
20	Intake air pressure sensor Atmospheric pressure sensor	Intake air pressure sensor-open or short circuit detected. Defective values are detected due to the internal malfunction of the intake air pressure sensor or the Atmospheric pressure sensor.	Able	Able
21	Coolant temperature sensor	Coolant temperature sensor-open or short circuit detected.	Able	Able
22	Intake air temperature sensor	Intake air temperature sensor-open or short circuit detected.	Able	Able
23	Atmospheric pressure sensor	Atmospheric pressure sensor-open or short circuit detected.	Able	Able
24	O ₂ sensor	No normal signal is received from the O ₂ sensor.	Able	Able
30	Lean angle sensor	Latch up detected. No normal signal is received from the lean angle sensor.	Unable	Unable
33	Ignition coil (#1) (faulty ignition)	Malfunction detected in the primary wire of the ignition coil (#1).	Able (depending on the number of faulty cylinders)	Able (depending on the number of faulty cylinders)
34	Ignition coil (#2) (faulty ignition)	Malfunction detected in the primary wire of the ignition coil (#2).	Able (depending on the number of faulty cylinders)	Able (depending on the number of faulty cylinders)
35	Ignition coil (#3) (faulty ignition)	Malfunction detected in the primary wire of the ignition coil (#3).	Able (depending on the number of faulty cylinders)	Able (depending on the number of faulty cylinders)
36	Ignition coil (#4) (faulty ignition)	Malfunction detected in the primary wire of the ignition coil (#4).	Able (depending on the number of faulty cylinders)	Able (depending on the number of faulty cylinders)
39	Injector (open circuit)	Injector: open circuit detected.	Able (depending on the number of faulty cylinders)	Able (depending on the number of faulty cylinders)
41	Lean angle sensor (open or short circuit)	Lean angle sensor-open or short circuit detected.	Unable	Unable
42	Speed sensor Neutral switch	No normal signals are received from the speed sensor. Open or short circuit is detected in the neutral switch.	Able	Able

FUEL INJECTION SYSTEM

Fault code No.	Item	Symptom	Able / unable to start	Able / unable to drive
43	Fuel system voltage (monitor voltage)	The ECU is unable to monitor the battery voltage (an open circuit in the line to the ECU).	Able	Able
44	Error in writing the amount of CO adjustment on EEPROM	Error is detected while reading or writing on EEPROM (CO adjustment value).	Able	Able
46	Vehicle system power supply (Monitoring voltage)	Power supply to the fuel injection system is not normal.	Able	Able
50	ECU internal malfunction	ECU memory is faulty. (When this malfunction is detected in the ECU, the fault code number might not appear on the meter.)	Able/Unable	Able/Unable
59	Throttle position sensor (for throttle cable pulley) (open or short circuit/ loose connection)	Throttle position sensor (for throttle cable pulley): open or short circuit detected. Throttle position sensor (for throttle cable pulley) coupler connection is loose.	Able/Unable	Able/Unable
60	Throttle servo motor	Throttle servo motor: open or short circuit detected. Motor is defective or ECU internal malfunction.	Able/Unable	Able/Unable

Communication error with the meter

Fault code No.	Item	Symptom	Able / unable to start	Able / unable to drive
Er-1	ECU internal malfunction (output signal error)	No signals are received from the ECU.	Unable	Unable
Er-2	ECU internal malfunction (output signal error)	No signals are received from the ECU within the specified duration.	Unable	Unable
Er-3	ECU internal malfunction (output signal error)	Data from the ECU cannot be received correctly.	Unable	Unable
Er-4	ECU internal malfunction (input signal error)	Non-registered data has been received from the meter.	Unable	Unable

EAS27400

TROUBLESHOOTING METHOD

The engine operation is not normal and the engine trouble warning light comes on.

1. Check:
 - Fault code number



- a. Check the fault code number displayed on the meter.
- b. Identify the faulty system with the fault code. Refer to "Self-Diagnostic Function table".
- c. Identify the probable cause of malfunction. Refer to "Fault code table".



2. Checking and repair the probable cause of malfunction.

Fault code No.	No fault code No.
Check and repair. Refer to "TROUBLE-SHOOTING DETAILS" on page 8-44. Monitor the operation of the sensors and actuators in the diagnostic mode. Refer to "Sensor operation table" and "Actuator operation table".	Check and repair. Refer to "TROUBLE-SHOOTING DETAILS" on page 8-44.

3. Perform fuel injection table reinstatement action. Refer to "Reinstatement method" of table in "TROUBLESHOOTING DETAILS".
4. Turn the main switch to "OFF" and back to "ON", then check the fault code number is displayed.

NOTE:

If fault code are displayed, repeat steps (1) to (4) until no fault code number is displayed.

5. The Malfunction history is stored even if the main switch is turned OFF. The malfunction history must be erased in the diagnostic mode. Refer to "Sensor operation table (Diagnostic code No.62)".

The engine operation is not normal but the engine trouble warning light does not come on.

1. Check the operation of following sensors and actuators in the Diagnostic mode. Refer to "Sensor operation table" and "Actuator operation table".

01: Throttle position sensor (for throttle valves) signal 1 (throttle angle)
13: Throttle position sensor (for throttle valves) signal 2 (throttle angle)
14: Throttle position sensor (for throttle cable pulley) signal 1 (throttle angle)
15: Throttle position sensor (for throttle cable pulley) signal 2 (throttle angle)
30: Ignition coil #1
31: Ignition coil #2
32: Ignition coil #3
33: Ignition coil #4
36: Injector #1
37: Injector #2
38: Injector #3
39: Injector #4
48: AI system solenoid

If a malfunction is detected in the sensors or actuators, repair or replace all faulty parts.

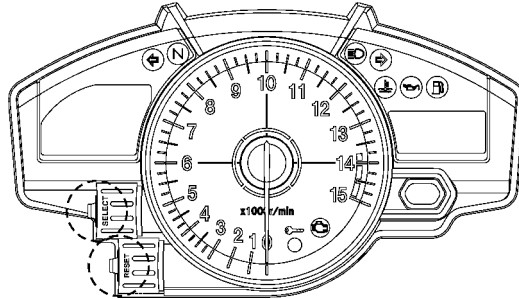
If no malfunction is detected in the sensors and actuators, check and repair inner parts of the engine.

EAS27421

DIAGNOSTIC MODE

Setting the diagnostic mode

1. Turn the main switch to “OFF” and set the engine stop switch to “ON”.
2. Disconnect the wire harness coupler from the fuel pump.
3. Simultaneously press and hold the “SELECT” and “RESET” buttons, turn the main switch to “ON”, and continue to press the buttons for 8 seconds or more.



NOTE:

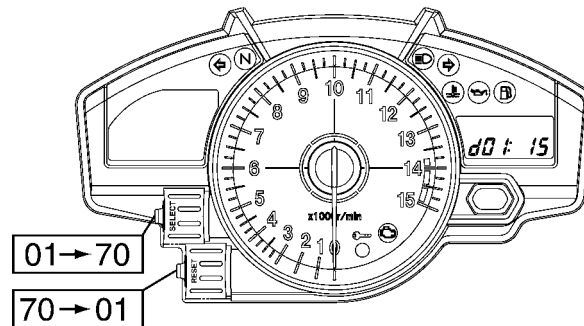
- All displays on the meter disappear except the odometer/trip meter/fuel reservoir trip meter/stop watch displays.
- “DIAG” appears on the odometer/trip meter/fuel reservoir trip meter/stop watch LCD.

4. Press the “SELECT” button to select the diagnostic mode “DIAG”.
5. After selecting “DIAG”, simultaneously press the “SELECT” and “RESET” buttons for 2 seconds or more to activate the diagnostic mode. The diagnostic code number “d01” appears on the odometer/trip meter/fuel reservoir trip meter/stop watch LCD.
6. Set the engine stop switch to “OFF”.
7. Select the diagnostic code number corresponding to the fault code number by pressing the “SELECT” and “RESET” buttons.

NOTE:

The diagnostic code number appears on the odometer/trip meter/fuel reservoir trip meter/stop watch LCD (01–70).

- To decrease the selected diagnostic code number, press the “RESET” button. Press the “RESET” button for 1 second or longer to automatically decrease the diagnostic code numbers.
- To increase the selected diagnostic code number, press the “SELECT” button. Press the “SELECT” button for 1 second or longer to automatically increase the diagnostic code numbers.



8. Verify the operation of the sensor or actuator.
 - Sensor operation
The data representing the operating conditions of the sensor appears on the odometer/trip meter/fuel reservoir trip meter/stop watch LCD.
 - Actuator operation
Set the engine stop switch to “○” to operate the actuator.

FUEL INJECTION SYSTEM

NOTE:

If the engine stop switch is set to “○”, set it to “⊗”, and then set it to “○” again.

9. Turn the main switch to “OFF” to cancel the diagnostic mode.

Fault code table

Fault code No.	Symptom	Probable cause of malfunction	Diagnostic code No.
11	No normal signals are received from the cylinder identification sensor when the engine is started or while the vehicle is being driven.	<ul style="list-style-type: none"> • Open or short circuit in sub-wire-harness 1. • Open or short circuit in wire harness. • Defective cylinder identification sensor. • Malfunction in ECU. • Improperly installed sensor. 	—
12	No normal signals are received from the crankshaft position sensor.	<ul style="list-style-type: none"> • Open or short circuit in wire harness. • Defective crankshaft position sensor. • Malfunction in pickup rotor. • Malfunction in ECU. • Improperly installed sensor. 	—
13	Intake air pressure sensor: open or short circuit detected.	<ul style="list-style-type: none"> • Open or short circuit in wire harness. • Defective intake air pressure sensor. • Malfunction in ECU. 	03
14	Intake air pressure sensor: hose system malfunction (clogged or detached hose).	<ul style="list-style-type: none"> • Intake air pressure sensor hose is detached, clogged, kinked, or pinched. • Malfunction in ECU. 	03
15	Throttle position sensor (for throttle valves): open or short circuit detected. Throttle position sensor (for throttle valves) coupler connection is loose.	<ul style="list-style-type: none"> • Open or short circuit in wire harness. • Defective throttle position sensor (for throttle valves). • Malfunction in ECU. • Improperly installed throttle position sensor (for throttle valves). 	01 13
17	EXUP servo motor circuit: open or short circuit detected or loose connection.	<ul style="list-style-type: none"> • Open or short circuit in wire harness. • Defective EXUP servo motor (potentiometer circuit). 	53
18	EXUP servo motor is stuck.	<ul style="list-style-type: none"> • Open or short circuit in wire harness. • Stuck EXUP servo motor (mechanism). • Stuck EXUP servo motor (motor). 	53
19	Open circuit is detected in the input lead from the side-stand switch to the ECU.	<ul style="list-style-type: none"> • Open circuit in wire harness (ECU Coupler). • Malfunction in ECU. • Relay unit (diode) 	20

FUEL INJECTION SYSTEM

Fault code No.	Symptom	Probable cause of malfunction	Diagnostic code No.
20	When the main switch is turned to "ON", the atmospheric pressure sensor voltage and intake air pressure sensor voltage differ greatly.	<ul style="list-style-type: none"> • Atmospheric pressure sensor hose is clogged. • Intake air pressure sensor hose is clogged, kinked, or pinched. • Malfunction of the atmospheric pressure sensor in the intermediate electrical potential. • Malfunction of the intake air pressure sensor in the intermediate electrical potential. • Malfunction in ECU. 	03 02
21	Coolant temperature sensor: open or short circuit detected.	<ul style="list-style-type: none"> • Open or short circuit in wire harness. • Defective coolant temperature sensor. • Malfunction in ECU. • Improperly installed coolant temperature sensor. 	06
22	Air temperature sensor: open or short circuit detected.	<ul style="list-style-type: none"> • Open or short circuit in wire harness. • Defective air temperature sensor. • Malfunction in ECU. • Improperly installed air temperature sensor. 	05
23	Atmospheric pressure sensor: open or short circuit detected.	<ul style="list-style-type: none"> • Open or short circuit in wire harness. • Defective atmospheric pressure sensor. • Improperly installed atmospheric pressure sensor. • Malfunction in ECU. 	02
24	No normal signal is received from the O ₂ sensor.	<ul style="list-style-type: none"> • Open or short circuit in wire harness. • Defective O₂ sensor. • Malfunction in ECU. • Improperly installed O₂ sensor. 	—
30	Latch up detected. No normal signal is received from the lean angle sensor.	<ul style="list-style-type: none"> • The vehicle has overturned. • Defective lean angle sensor. • Malfunction in ECU. • Improperly installed lean angle sensor. 	08
33	Open circuit detected in the primary lead of the cylinder-#1 ignition coil.	<ul style="list-style-type: none"> • Open circuit in wire harness. • Malfunction in ignition coil. • Malfunction in ECU. 	30
34	Open circuit detected in the primary lead of the cylinder-#2 ignition coil.	<ul style="list-style-type: none"> • Open circuit in wire harness. • Malfunction in ignition coil. • Malfunction in ECU. 	31
35	Open circuit detected in the primary lead of the cylinder-#3 ignition coil.	<ul style="list-style-type: none"> • Open circuit in wire harness. • Malfunction in ignition coil. • Malfunction in ECU. 	32
36	Open circuit detected in the primary lead of the cylinder-#4 ignition coil.	<ul style="list-style-type: none"> • Open circuit in wire harness. • Malfunction in ignition coil. • Malfunction in ECU. 	33
39	Open circuit detected in a injector.	<ul style="list-style-type: none"> • Open or short circuit in wire harness. • Defective primary injector. • Malfunction in ECU. • Improperly installed primary injector. 	36 37 38 39

FUEL INJECTION SYSTEM

Fault code No.	Symptom	Probable cause of malfunction	Diagnostic code No.
41	Lean angle sensor: open or short circuit detected.	<ul style="list-style-type: none"> • Open or short circuit in wire harness. • Defective lean angle sensor. • Malfunction in ECU. 	08
42	No normal signals are received from the speed sensor.	<ul style="list-style-type: none"> • Open circuit in wire harness. • Malfunction in speed sensor. • Malfunction in ECU. 	07
	Neutral switch: open or short circuit detected.	<ul style="list-style-type: none"> • Open circuit in wire harness. • Malfunction in neutral switch. • Malfunction in ECU. 	21
43	Power supply to the injectors and the fuel pump is not normal.	<ul style="list-style-type: none"> • Open or short circuit in wire harness. • Malfunction in ECU. 	09
44	An error is detected while reading or writing on EEPROM (CO adjustment value).	<ul style="list-style-type: none"> • Malfunction in ECU. (The CO adjustment value is not properly written on or read from the internal memory). 	60
46	Power supply is not normal.	Malfunction in the charging system. Refer to "CHARGING SYSTEM" on page 8-11.	—
50	Faulty ECU memory. (When this malfunction is detected in the ECU, the fault code number might not appear on the meter.)	<ul style="list-style-type: none"> • Malfunction in ECU. (The program and data are not properly written on or read from the internal memory.) 	—
59	Throttle position sensor (for throttle cable pulley): open or short circuit detected.	<ul style="list-style-type: none"> • Open or short circuit in wire harness. • Defective throttle position sensor. • Improperly installed throttle position sensor. • Malfunction in ECU. 	14 15
	Throttle position sensor (for throttle cable pulley) coupler connection is loose.		
60	Throttle servo motor: open or short circuit detected. Defective throttle servo motor. Malfunction in ECU (servo motor driving system).	<ul style="list-style-type: none"> • Open or short circuit in wire harness. • Defective throttle servo motor (potentiometer circuit). • Stuck throttle servo motor (mechanism). • Stuck throttle servo motor (motor). • Malfunction in ECU. 	01
Er-1	No signals are received from the ECU.	<ul style="list-style-type: none"> • Open or short circuit in wire harness. • Malfunction in meter. • Malfunction in ECU. • Defective wire connection of the ECU coupler. 	—
Er-2	No signals are received from the ECU within the specified duration.	<ul style="list-style-type: none"> • Improper connection in wire harness. • Malfunction in meter. • Malfunction in ECU. 	—

FUEL INJECTION SYSTEM

Fault code No.	Symptom	Probable cause of malfunction	Diagnostic code No.
Er-3	Data from the ECU cannot be received correctly.	<ul style="list-style-type: none"> • Improper connection in wire harness. • Malfunction in meter. • Malfunction in ECU. 	—
Er-4	Non-registered data has been received from the meter.	<ul style="list-style-type: none"> • Improper connection in wire harness. • Malfunction in meter. • Malfunction in ECU. 	—

Sensor operation table

Diagnostic code No.	Item	Meter display	Checking method
01	Throttle position sensor (for throttle valves) signal 1 <ul style="list-style-type: none"> • Fully closed position • Fully opened position 	12–21 97–106	Check with throttle valves fully closed. Check with throttle valves fully opened.
02	Atmospheric pressure	Displays the atmospheric pressure.	Compare the actually measured atmospheric pressure with the meter display value.
03	Intake air pressure	Displays intake air pressure.	Compare the actually measured atmospheric pressure with the meter display value without cranking the engine.
05	Intake air temperature	Displays the intake air temperature.	Compare the actually measured air temperature with the meter display value.
06	Coolant temperature	Displays the coolant temperature.	Compare the actually measured coolant temperature with the meter display value.
07	Vehicle speed pulse	0–999	Check that the number increases when the rear wheel is rotated. The number is cumulative and does not reset each time the wheel is stopped.
08	Lean angle sensor <ul style="list-style-type: none"> • Upright • Overturned 	0.4–1.4 3.7–4.4	Remove the lean angle sensor and incline it more than 65 degrees.

FUEL INJECTION SYSTEM

Diagnostic code No.	Item	Meter display	Checking method
09	Fuel system voltage (battery voltage)	Approximately 12.0	Set the engine stop switch to “○”, and then compare with the actually measured battery voltage. (If the battery voltage is lower, recharge the battery.)
13	Throttle position sensor (for throttle valves) signal 2 • Fully closed position • Fully opened position	9–23 94–108	Check with throttle valve fully closed. Check with throttle valve fully opened.
14	Throttle position sensor (for throttle cable pulley) signal 1 • Fully closed position • Fully opened position	12–22 97–107	Check with throttle grip fully closed. Check with throttle grip fully opened.
15	Throttle position sensor (for throttle cable pulley) signal 2 • Fully closed position • Fully opened position	10–24 95–109	Check with throttle grip fully closed. Check with throttle grip fully opened.
20	Sidestand switch • Stand retracted • Stand extended	ON OFF	Set ON/OFF the sidestand switch (with the transmission in gear).
21	Neutral switch • Neutral • In gear	ON OFF	Shift the transmission.
60	EEPROM fault cylinder No. • No history • History exists	00 01-04 (fault cylinder No.) • (If more than one cylinder is defective, the display changes every two seconds to show all the detected cylinder numbers. When all cylinder numbers are shown, the display repeats.)	—

FUEL INJECTION SYSTEM

Diagnostic code No.	Item	Meter display	Checking method
61	Malfunction history code <ul style="list-style-type: none"> No history History exists 	00 11-60 (Fault detection code) <ul style="list-style-type: none"> (If more than one code number is detected, the display changes every two seconds to show all the detected code numbers. When all code numbers are shown, the display repeats.) 	—
62	Malfunction history code erasure <ul style="list-style-type: none"> No history History exists 	00 <ul style="list-style-type: none"> Displays the total number of malfunctions, including the current malfunction, that have occurred since the history was last erased.(For example, if there have been three malfunctions, "03" is displayed.) 	— To erase the history, set the engine stop switch from "⊗" to "○".
63	Malfunction code reinstate (for fault code No. 24 only) <ul style="list-style-type: none"> No malfunction code Malfunction code exists 	00 Fault codes 24 <ul style="list-style-type: none"> (If more than one code number is detected, the display changes every two seconds to show all the detected code numbers. When all code numbers are shown, the display repeats.) 	— To erase the history, set the engine stop switch from "⊗" to "○".
70	Control number	00	—

Actuator operation table

Diagnostic code No.	Item	Actuation	Checking method
30	Cylinder-#1 ignition coil	Actuates the cylinder-#1 ignition coil five times at one-second intervals. Illuminates the engine trouble warning light.	Check the spark five times. <ul style="list-style-type: none"> Connect an ignition checker.

FUEL INJECTION SYSTEM

Diagnostic code No.	Item	Actuation	Checking method
31	Cylinder-#2 ignition coil	Actuates the cylinder-#2 ignition coil five times at one-second intervals. Illuminates the engine trouble warning light.	Check the spark five times. • Connect an ignition checker.
32	Cylinder-#3 ignition coil	Actuates the cylinder-#3 ignition coil five times at one-second intervals. Illuminates the engine trouble warning light.	Check the spark five times. • Connect an ignition checker.
33	Cylinder-#4 ignition coil	Actuates the cylinder-#4 ignition coil five times at one-second intervals. Illuminates the engine trouble warning light.	Check the spark five times. • Connect an ignition checker.
34	Intake funnel	Actuates the intake funnel (up position down position for each 3 seconds). Illuminates the engine trouble warning light.	Check the operating sound of the intake funnel.
36	Injector #1	Actuates the injector #1 five times at one-second intervals. Illuminates the engine trouble warning light.	Check the operating sound of the primary injector #1 five times.
37	Injector #2	Actuates the injector #2 five times at one-second intervals. Illuminates the engine trouble warning light.	Check the operating sound of the primary injector #2 five times.
38	Injector #3	Actuates the injector #3 five times at one-second intervals. Illuminates the engine trouble warning light.	Check the operating sound of the primary injector #3 five times.
39	Injector #4	Actuates the injector #4 five times at one-second intervals. Illuminates the engine trouble warning light.	Check the operating sound of the primary injector #4 five times.
48	Air induction system solenoid	Actuates the air induction system solenoid five times at one-second intervals. Illuminates the engine trouble warning light.	Check the operating sound of the air induction system solenoid five times.

FUEL INJECTION SYSTEM

Diagnostic code No.	Item	Actuation	Checking method
50	Fuel injection system relay	Actuates the fuel injection system relay five times at one-second intervals. Illuminates the engine trouble warning light. (The engine trouble warning light is OFF when the relay is ON, and the engine trouble warning light is ON when the relay is OFF).	Check the operating sound of the fuel injection system relay five times.
51	Radiator fan motor relay	Actuates the radiator fan motor relay five times at one second intervals. (ON 2 seconds, OFF 3 seconds) Illuminates the engine trouble warning light.	Check the operating sound of the radiator fan motor relay five times.
52	Headlight relay	Actuates the headlight relay five times at one-second intervals. (ON 2 seconds, OFF 3 seconds) Illuminates the engine trouble warning light.	Check the operating sound of the headlight relay five times.
53	EXUP servo motor	Actuates the servo motor (turns to open side and to closed side). Illuminates the engine trouble warning light.	Check the operating sound.

EAS27461

TROUBLESHOOTING DETAILS

This section describes the measures per fault code number displayed on the meter. Check and service the items or components that are the probable cause of the malfunction following the order given.

After the check and service of the malfunctioning part has been completed, reset the meter display according to the reinstatement method.

Fault code No.:

Code number displayed on the meter when the engine failed to work normally. Refer to "Self-Diagnostic Function table".

Diagnostic code No.:

Diagnostic code number to be used when the diagnostic mode is operated. Refer to "DIAGNOSTIC MODE" on page 8-36.

FUEL INJECTION SYSTEM

Fault code No.	11	Symptom	No normal signals are received from the cylinder identification sensor when the engine is started or while the vehicle is being driven.	
Diagnostic code No.		—	—	
Order	Item/components and probable cause		Check or maintenance job	Reinstatement method
1	Installed condition of cylinder identification sensor.		Check for looseness or pinching.	Cranking the engine.
2	Connections <ul style="list-style-type: none"> • Cylinder identification sensor coupler • Main wire harness ECU coupler 		<ul style="list-style-type: none"> • Check the couplers for any pins that may be pulled out. • Check the locking condition of the couplers. • If there is a malfunction, repair it and connect the coupler securely. 	
3	Open or short circuit in wire harness.		<ul style="list-style-type: none"> • Repair or replace if there is an open or short circuit. • Between the cylinder identification sensor coupler and ECU coupler. (Blue–Blue) (White/Black–White/Black) (Black/Blue–Black/Blue) 	
4	Defective cylinder identification sensor.		<ul style="list-style-type: none"> • Replace if defective. Refer to "CHECKING THE CYLINDER IDENTIFICATION SENSOR" on page 8-99. 	

FUEL INJECTION SYSTEM

Fault code No.	12	Symptom	No normal signals are received from the crankshaft position sensor.	
Diagnostic code No.	—		—	
Order	Item/components and probable cause		Check or maintenance job	Reinstatement method
1	Installed condition of crankshaft position sensor		Check for looseness or pinching.	Cranking the engine.
2	Connections <ul style="list-style-type: none"> • Crankshaft position sensor coupler • Main wire harness ECU coupler 		<ul style="list-style-type: none"> • Check the coupler for any pins that may have pulled out. • Check the locking condition of the coupler. • If there is a malfunction, repair it and connect the coupler securely. 	
3	Open or short circuit in wire harness.		<ul style="list-style-type: none"> • Repair or replace if there is an open or short circuit. • Between the crankshaft position sensor coupler and ECU coupler. (Gray–Gray) (Black/Blue–Black/Blue) 	
4	Defective crankshaft position sensor.		<ul style="list-style-type: none"> • Replace if defective. Refer to "CHECKING THE CRANKSHAFT POSITION SENSOR" on page 8-92. 	

Fault code No.	13	Symptom	Intake air pressure sensor: open or short circuit detected.	
Diagnostic code No.	03		Intake air pressure sensor	
Order	Item/components and probable cause		Check or maintenance job	Reinstatement method
1	Connections <ul style="list-style-type: none"> • Intake air pressure sensor coupler • Main wire harness ECU coupler 		<ul style="list-style-type: none"> • Check the coupler for any pins that may be pulled out. • Check the locking condition of the coupler. • If there is a malfunction, repair it and connect the coupler securely. 	Reinstated automatically if a normal signal is received.
2	Open or short circuit in wire harness and/or sub-wire-harness 2.		<ul style="list-style-type: none"> • Repair or replace if there is an open or short circuit. • Between intake air pressure sensor coupler and ECU coupler (Black/Blue–Black/Blue) (Pink/White–Pink/White) (Blue–Blue) 	
3	Defective intake air pressure sensor.		<ul style="list-style-type: none"> • Execute the diagnostic mode. (Code No.03) • Replace if defective. Refer to "CHECKING THE INTAKE AIR PRESSURE SENSOR" on page 8-99. 	

FUEL INJECTION SYSTEM

Fault code No.	14	Symptom	Intake air pressure sensor: hose system malfunction (clogged or detached hose).	
Diagnostic code No.	03	Intake air pressure sensor		
Order	Item/components and probable cause		Check or maintenance job	Reinstatement method
1	Intake air pressure sensor hose		<ul style="list-style-type: none"> • Check the intake air pressure sensor hose condition. • Repair or replace the sensor hose. 	Cranking the engine.
2	Defective intake air pressure sensor.		<ul style="list-style-type: none"> • Execute the diagnostic mode. (Code No. 03) • Replace if defective. Refer to "CHECKING THE INTAKE AIR PRESSURE SENSOR" on page 8-99. 	

Fault code No.	15	Symptom	Throttle position sensor (for throttle valves): open or short circuit detected.	
Diagnostic code No.	01 13	Throttle position sensor (for throttle valves) signal 1 Throttle position sensor (for throttle valves) signal 2		
Order	Item/components and probable cause		Check or maintenance job	Reinstatement method
1	Installed condition of throttle position sensor (for throttle valves).		<ul style="list-style-type: none"> • Check for looseness or pinching. • Check that the sensor is installed in the specified position. 	Turning the main switch to "ON".
2	Connections <ul style="list-style-type: none"> • Throttle position sensor (for throttle valves) coupler • Main wire harness ECU coupler 		<ul style="list-style-type: none"> • Check the coupler for any pins that may be pulled out. • Check the locking condition of the coupler. • If there is a malfunction, repair it and connect the coupler securely. 	
3	Open or short circuit in wire harness.		<ul style="list-style-type: none"> • Repair or replace if there is an open or short circuit. • Between throttle position sensor coupler (for throttle valves) coupler and ECU coupler. (Black/Blue–Black/Blue) (White–White) (Black–Black) (Blue–Blue) 	
4	Defective throttle position sensor (for throttle valves).		<ul style="list-style-type: none"> • Execute the diagnostic mode. (Code Nos. 01, 13) • Replace if defective. Refer to "CHECKING THE THROTTLE POSITION SENSOR (FOR THROTTLE VALVES)" on page 8-97. 	

FUEL INJECTION SYSTEM

Fault code No.	17	Symptom	EXUP servo motor circuit: open or short circuit detected.	
Diagnostic code No.	53	EXUP servo motor		
Order	Item/components and probable cause	Check or maintenance job	Reinstatement method	
1	Connections <ul style="list-style-type: none"> EXUP servo motor coupler Main wire harness ECU coupler 	<ul style="list-style-type: none"> Check the coupler for any pins that may have pulled out. Check the locking condition of the coupler. If there is a malfunction, repair it and connect the coupler securely. 	Reinstated automatically if a normal signal is received.	
2	Open or short circuit in wire harness.	<ul style="list-style-type: none"> Repair or replace if there is an open or short circuit. Between EXUP servo motor coupler and ECU coupler. (Blue-Blue) (White/Red-White/Red) (Black/Blue-Black/Blue) 		
3	Defective EXUP servo motor (potentiometer circuit).	<ul style="list-style-type: none"> Execute the diagnostic mode. (Code No.53) Replace if defective. 		

Fault code No.	18	Symptom	EXUP servo motor is stuck.	
Diagnostic code No.	53	EXUP servo motor		
Order	Item/components and probable cause	Check or maintenance job	Reinstatement method	
1	Connections <ul style="list-style-type: none"> EXUP servo motor coupler Main wire harness ECU coupler 	<ul style="list-style-type: none"> Check the coupler for any pins that may be pulled out. Check the locking condition of the couplers. If there is a malfunction, repair it and connect the coupler securely. 	Turning the main switch to "ON". It takes 3 seconds at the maximum before the original state returns.	
2	Open or short circuit in wire harness.	<ul style="list-style-type: none"> Repair or replace if there is an open or short circuit. Between EXUP servo motor coupler and ECU coupler. (Black/Green-Black/Green) (Black/Red-Black/Red) 		
3	Defective EXUP servo motor	<ul style="list-style-type: none"> Execute the diagnostic mode. (Code No.53) Replace if defective. 		
4	Defective EXUP valve, pulley, and cables	Replace if defective.		

FUEL INJECTION SYSTEM

Fault code No.	19	Symptom	Open circuit is detected in the input line from the side-stand switch to the ECU.	
Diagnostic code No.		20	Sidestand switch	
Order	Item/components and probable cause		Check or maintenance job	Reinstatement method
1	Connections • Main wire harness ECU coupler		<ul style="list-style-type: none"> • Execute the diagnostic mode. (Code No.20) • Check the coupler for any pins that may be pulled out. • Check the locking condition of the coupler. • If there is a malfunction, repair it and connect the coupler securely. 	If the transmission is in gear, retracting the sidestand. If the transmission is in neutral, reconnecting the wiring.
2	Open or short circuit in wire harness.		<ul style="list-style-type: none"> • Repair or replace if there is an open or short circuit. • Between ECU coupler and relay unit coupler. (Blue/Yellow–Blue/Yellow) • Between relay unit coupler and sidestand switch coupler. (Blue/Black–Blue/Black) • Between sidestand switch coupler and engine ground. (Black–Black) 	
3	Defective sidestand switch.		<ul style="list-style-type: none"> • Replace if defective. Refer to "CHECKING THE SWITCHES" on page 8-81. 	

Fault code No.	20	Symptom	When the main switch is turned to "ON", the atmospheric pressure sensor voltage and intake air pressure sensor voltage differ greatly.	
Diagnostic code No.		03 02	Intake air pressure sensor Atmospheric pressure sensor	
Order	Item/components and probable cause		Check or maintenance job	Reinstatement method
1	Defective intake air pressure sensor or atmospheric pressure sensor.		<ul style="list-style-type: none"> • Execute the diagnostic mode. (Code Nos. 03, 02) Replace if defective. • Refer to "CHECKING THE INTAKE AIR PRESSURE SENSOR" on page 8-99 or "CHECKING THE ATMOSPHERIC PRESSURE SENSOR" on page 8-98. 	Turning the main switch to "ON".

FUEL INJECTION SYSTEM

Fault code No.	21	Symptom	Coolant temperature sensor: open or short circuit detected.	
Diagnostic code No.	06	Coolant temperature sensor		
Order	Item/components and probable cause		Check or maintenance job	Reinstatement method
1	Connections <ul style="list-style-type: none"> • Coolant temperature sensor coupler • Main wire harness ECU coupler 		<ul style="list-style-type: none"> • Check the coupler for any pins that may have pulled out. • Check the locking condition of the couplers. • If there is a malfunction, repair it and connect the coupler securely. 	Reinstated automatically if a normal signal is received.
2	Open or short circuit in wire harness.		<ul style="list-style-type: none"> • Repair or replace if there is an open or short circuit. • Between coolant temperature sensor coupler and ECU coupler. (Green/White–Green/White) (Black/Blue–Black/Blue) 	
3	Defective coolant temperature sensor.		<ul style="list-style-type: none"> • Execute the diagnostic mode. (Code No.06) • Replace if defective. Refer to "CHECKING THE COOLANT TEMPERATURE SENSOR" on page 8-96. 	

Fault code No.	22	Symptom	Air temperature sensor: open or short circuit detected.	
Diagnostic code No.	05	Air temperature sensor		
Order	Item/components and probable cause		Check or maintenance job	Reinstatement method
1	Connections <ul style="list-style-type: none"> • Air temperature sensor coupler • Main wire harness ECU coupler 		<ul style="list-style-type: none"> • Check the coupler for any pins that may have pulled out. • Check the locking condition of the coupler. • If there is a malfunction, repair it and connect the coupler securely. 	Reinstated automatically if a normal signal is received.
2	Open or short circuit in wire harness.		<ul style="list-style-type: none"> • Repair or replace if there is an open or short circuit. • Between air temperature sensor coupler and ECU coupler. (Brown/White–Brown/White) (Black/Blue–Black/Blue) 	
3	Defective air temperature sensor.		<ul style="list-style-type: none"> • Execute the diagnostic mode. (Code No.05) • Replace if defective. Refer to "CHECKING THE INTAKE AIR TEMPERATURE SENSOR" on page 8-99. 	

FUEL INJECTION SYSTEM

Fault code No.	23	Symptom	Atmospheric pressure sensor: open or short circuit detected.	
Diagnostic code No.	02	Atmospheric pressure sensor		
Order	Item/components and probable cause		Check or maintenance job	Reinstatement method
1	Connections <ul style="list-style-type: none"> • Atmospheric pressure sensor coupler • Main wire harness ECU coupler 		<ul style="list-style-type: none"> • Check the coupler for any pins that may have pulled out. • Check the locking condition of the coupler. • If there is a malfunction, repair it and connect the coupler securely. 	Reinstated automatically if a normal signal is received.
2	Open or short circuit in wire harness and/or sub wire harness 2.		<ul style="list-style-type: none"> • Repair or replace if there is an open or short circuit. • Between atmospheric pressure sensor coupler and ECU coupler. (Black/Blue–Black/Blue) (Pink–Pink) (Blue–Blue) 	
3	Defective atmospheric pressure sensor.		<ul style="list-style-type: none"> • Execute the diagnostic mode. (Code No.02) • Replace if defective. Refer to "CHECKING THE ATMOSPHERIC PRESSURE SENSOR" on page 8-98. 	

Fault code No.	24	Symptom	No normal signal is received from the O₂ sensor.	
Diagnostic code No.	—	—		
Order	Item/components and probable cause		Check or maintenance job	Reinstatement method
1	Installed state of O ₂ sensor.		Check for looseness or pinching.	Execute the diagnostic mode (Code No. 63). (Set the engine stop switch to "○".)
2	Connections <ul style="list-style-type: none"> • O₂ sensor coupler • Main wire harness ECU coupler 		<ul style="list-style-type: none"> • Check the couplers for any pins that may be pulled out. • Check the locking condition of the couplers. • If there is a malfunction, repair it and connect the coupler securely. 	
3	Open or short circuit in wire harness.		<ul style="list-style-type: none"> • Repair or replace if there is an open or short circuit. • Between O₂ sensor coupler and ECU coupler. (Gray/Green–Gray/Green) (Black/Blue–Black/Blue) 	
4	Check fuel pressure.		• Refer to "THROTTLE BODIES" on page 7-4.	
5	Defective O ₂ sensor.		• Replace if defective.	

FUEL INJECTION SYSTEM

Fault code No.	30	Symptom	Latch up detected. No normal signal is received from the lean angle sensor.	
Diagnostic code No.	08	Lean angle sensor		
Order	Item/components and probable cause		Check or maintenance job	Reinstatement method
1	The vehicle has overturned.		Raise the vehicle upright.	Turning the main switch to "ON" (however, the engine cannot be restarted unless the main switch is first turned to "OFF").
2	Installed state of the lean angle sensor.		Check the installed direction and condition of the sensor.	
3	Defective lean angle sensor.		<ul style="list-style-type: none"> • Execute the diagnostic mode. (Code No.08) • Replace if defective. Refer to "CHECKING THE LEAN ANGLE SENSOR" on page 8-92.	

Fault code No.	33	Symptom	Open circuit detected in the primary lead of the cylinder-#1 ignition coil.	
Diagnostic code No.	30	Cylinder-#1 ignition coil		
Order	Item/components and probable cause		Check or maintenance job	Reinstatement method
1	Connections <ul style="list-style-type: none"> • Cylinder-#1 ignition coil coupler • Main wire harness ECU coupler • Sub-wire harness 1 coupler 		<ul style="list-style-type: none"> • Check the coupler for any pins that may be pulled out. • Check the locking condition of the coupler. • If there is a malfunction, repair it and connect coupler securely. 	Cranking the engine. (Connect the cylinder-#1 ignition coil coupler.)
2	Open or short circuit in wire harness and/or sub-wire harness 1.		<ul style="list-style-type: none"> • Repair or replace if there is an open or short circuit. • Between cylinder-#1 ignition coil coupler and ECU coupler. (Red/Black–Red/Black) (Orange–Orange) 	
3	Defective cylinder-#1 ignition coil.		<ul style="list-style-type: none"> • Execute the diagnostic mode. (Code No.30) • Test the primary and secondary coils for continuity. • Replace if defective. Refer to "CHECKING THE IGNITION COILS" on page 8-91.	

FUEL INJECTION SYSTEM

Fault code No.	34	Symptom	Open circuit detected in the primary lead of the cylinder-#2 ignition coil.	
Diagnostic code No.	31	Cylinder-#2 ignition coil		
Order	Item/components and probable cause		Check or maintenance job	Reinstatement method
1	Connections <ul style="list-style-type: none"> • Cylinder-#2 ignition coil coupler • Main wire harness ECU coupler • Sub-wire harness 1 coupler 		<ul style="list-style-type: none"> • Check the couplers for any pins that may be pulled out. • Check the locking condition of the couplers. • If there is a malfunction, repair it and connect the coupler securely. 	Cranking the engine. (Connect the cylinder-#2 ignition coil coupler.)
2	Open or short circuit in wire harness and/or sub-wire harness 1.		<ul style="list-style-type: none"> • Repair or replace if there is an open or short circuit. • Between cylinder-#2 ignition coil coupler and ECU coupler. (Red/Black–Red/Black) (Gray/Red–Gray/Red) 	
3	Defective cylinder-#2 ignition coil.		<ul style="list-style-type: none"> • Execute the diagnostic mode. (Code No.31) • Test the primary and secondary coils for continuity. • Replace if defective. Refer to "CHECKING THE IGNITION COILS" on page 8-91. 	

FUEL INJECTION SYSTEM

Fault code No.	35	Symptom	Open circuit detected in the primary lead of the cylinder-#3 ignition coil.	
Diagnostic code No.	32	Cylinder-#3 ignition coil		
Order	Item/components and probable cause		Check or maintenance job	Reinstatement method
1	Connections <ul style="list-style-type: none"> • Cylinder-#3 ignition coil coupler • Main wire harness ECU coupler • Sub-wire harness 1 coupler 		<ul style="list-style-type: none"> • Check the couplers for any pins that may have pulled out. • Check the locking condition of the couplers. • If there is a malfunction, repair it and connect the coupler securely. 	Cranking the engine. (Connect the cylinder-#3 ignition coil coupler.)
2	Open or short circuit in wire harness and/or sub-wire harness 1.		<ul style="list-style-type: none"> • Repair or replace if there is an open or short circuit. • Between cylinder-#3 ignition coil coupler and ECU coupler. (Red/Black–Red/Black) (Orange/Green–Orange/Green) 	
3	Defective cylinder-#3 ignition coil.		<ul style="list-style-type: none"> • Execute the diagnostic mode. (Code No.32) • Test the primary and secondary coils for continuity. • Replace if defective. Refer to "CHECKING THE IGNITION COILS" on page 8-91. 	

FUEL INJECTION SYSTEM

Fault code No.	36	Symptom	Open circuit detected in the primary lead of the cylinder-#4 ignition coil.	
Diagnostic code No.	33	Cylinder-#4 ignition coil		
Order	Item/components and probable cause		Check or maintenance job	Reinstatement method
1	Connections <ul style="list-style-type: none"> • Cylinder-#4 ignition coil coupler • Main wire harness ECU coupler • Sub-wire harness 1 coupler 		<ul style="list-style-type: none"> • Check the couplers for any pins that may have pulled out. • Check the locking condition of the couplers. • If there is a malfunction, repair it and connect the coupler securely. 	Cranking the engine. (Connect the cylinder-#4 ignition coil coupler.)
2	Open or short circuit in wire harness and/or sub-wire harness 1.		<ul style="list-style-type: none"> • Repair or replace if there is an open or short circuit. • Between cylinder-#4 ignition coil coupler and ECU coupler/main wire harness. (Red/Black–Red/Black) (Gray/Green–Gray/Green) 	
3	Defective cylinder-#4 ignition coil.		<ul style="list-style-type: none"> • Execute the diagnostic mode. (Code No.33) • Test the primary and secondary coils for continuity. • Replace if defective. Refer to "CHECKING THE IGNITION COILS" on page 8-91. 	

FUEL INJECTION SYSTEM

Fault code No.	39	Symptom	Open circuit detected in injector.	
Diagnostic code No.		36 37 38 39	Injector #1 Injector #2 Injector #3 Injector #4	
Order	Item/components and probable cause		Check or maintenance job	Reinstatement method
1	Connections <ul style="list-style-type: none"> • Injector coupler • Main wire harness ECU coupler • Sub-wire harness 2 coupler 		<ul style="list-style-type: none"> • Check the couplers for any pins that may have pulled out. • Check the locking condition of the couplers. • If there is a malfunction, repair it and connect the coupler securely. 	Cranking the engine. (Connect the fuel injector couplers.)
2	Open or short circuit in wire harness and/or sub-wire harness 2.		<ul style="list-style-type: none"> • Repair or replace if there is an open or short circuit. • Between injector coupler and ECU coupler. (Red/Blue–Red/Blue) #1: (Red/Black–Red/Black) #2: (Green/Black–Green/Black) #3: (Blue/Black–Blue/Black) #4: (Orange/Black–Orange/Black) 	
3	Defective injector.		<ul style="list-style-type: none"> • Execute the diagnostic mode. (Code Nos.36, 37, 38, 39) • Replace if defective. Refer to "CHECKING THE INJECTORS" on page 7-6. 	

FUEL INJECTION SYSTEM

Fault code No.	41	Symptom	Lean angle sensor: open or short circuit detected.	
Diagnostic code No.	08	Lean angle sensor		
Order	Item/components and probable cause	Check or maintenance job	Reinstatement method	
1	Connections <ul style="list-style-type: none"> • Lean angle sensor coupler • Main wire harness ECU coupler 	<ul style="list-style-type: none"> • Check the coupler for any pins that may be pulled out. • Check the locking condition of the coupler. • If there is a malfunction, repair it and connect the coupler securely. 	Reinstated automatically if a normal signal is received.	
2	Open or short circuit in lead wire.	<ul style="list-style-type: none"> • Repair or replace if there is an open or short circuit. • Between lean angle sensor coupler and ECU coupler. (Blue-Blue) (Yellow/Green-Yellow/Green) (Black/Blue-Black/Blue) 		
3	Defective lean angle sensor.	<ul style="list-style-type: none"> • Execute the diagnostic mode. (Code No.08) • Replace if defective. Refer to "CHECKING THE LEAN ANGLE SENSOR" on page 8-92. 		

FUEL INJECTION SYSTEM

Fault code No.	42	Symptom	A No normal signals are received from the speed sensor. B Open circuit is detected in the neutral switch.	
Diagnostic code No.	A	07	Speed sensor	
	B	21	Neutral switch	
Order	Item/components and probable cause		Check or maintenance job	Reinstatement method
A-1	Installed state of speed sensor.		Check for looseness or pinching.	Starting the engine, and activating the speed sensor by operating the vehicle.
A-2	Connections <ul style="list-style-type: none"> • Speed sensor coupler • Main wire harness ECU coupler 		<ul style="list-style-type: none"> • Check the couplers for any pins that may be pulled out. • Check the locking condition of the couplers. • If there is a malfunction, repair it and connect the coupler securely. 	
A-3	Open or short circuit in lead.		<ul style="list-style-type: none"> • Repair or replace if there is an open or short circuit. • Between speed sensor coupler and ECU coupler. (Blue–Blue) (White/Yellow–White/Yellow) (Black/Blue–Black/Blue) 	
A-4	Defective speed sensor.		<ul style="list-style-type: none"> • Execute the diagnostic mode. (Code No. 07) • Replace if defective. Refer to "CHECKING THE SPEED SENSOR" on page 8-95. 	
B-1	Installed state of neutral switch.		Check for looseness or pinching.	
B-2	Connections <ul style="list-style-type: none"> • Neutral switch coupler • Main wire harness ECU coupler 		<ul style="list-style-type: none"> • Check the couplers for any pins that may be pulled out. • Check the locking condition of the couplers. • If there is a malfunction, repair it and connect the coupler securely. 	
B-3	Open circuit in neutral switch lead.		<ul style="list-style-type: none"> • Repair or replace if there is an open circuit. • Between neutral switch coupler and relay unit coupler. (Sky blue–Sky blue) • Between relay unit coupler and ECU coupler. (Blue/Yellow–Blue/Yellow) 	
B-4	Defective neutral switch.		<ul style="list-style-type: none"> • Execute the diagnostic mode. (Code No.21) • Replace if defective. Refer to "CHECKING THE SWITCHES" on page 8-81. 	
B-5	Faulty shift drum (neutral detection area).		<ul style="list-style-type: none"> • Replace if defective. Refer to "TRANSMISSION" on page 5-84. 	

FUEL INJECTION SYSTEM

Fault code No.	43	Symptom	Power supply to the injectors and fuel pump is not normal.	
Diagnostic code No.	09	Fuel system voltage (battery voltage)		
Order	Item/components and probable cause		Check or maintenance job	Reinstatement method
1	Connections <ul style="list-style-type: none"> • Relay unit coupler (fuel pump relay) • Main wire harness ECU coupler 		<ul style="list-style-type: none"> • Check the coupler for any pins that may have pulled out. • Check the locking condition of the coupler. • If there is a malfunction, repair it and connect the coupler securely. 	Turning the main switch to "ON" when the engine stop switch is set to "O".
2	Open or short circuit in the wire harness.		<ul style="list-style-type: none"> • Repair or replace if there is an open or short circuit. • Between relay unit coupler and ECU coupler. (Blue/Yellow–Blue/Yellow) (Red/Blue–Red/Blue) • Between relay unit coupler and starter relay coupler. (Red–Red) • Between relay unit coupler and right handlebar switch coupler. (Red/Black–Red/Black) 	
3	Malfunction or open circuit in fuel pump relay.		<ul style="list-style-type: none"> • Execute the diagnostic mode. (Code No. 09) • Replace if defective. • If there is no malfunction with the fuel pump relay, replace the ECU. 	

Fault code No.	44	Symptom	An error is detected while reading or writing on EEPROM (CO adjustment value).	
Diagnostic code No.	60	EEPROM fault cylinder No.		
Order	Item/components and probable cause		Check or maintenance job	Reinstatement method
1	Malfunction in ECU.		<ul style="list-style-type: none"> • Set the faulty cylinder's exhaust gas volume. <ol style="list-style-type: none"> 1 Execute the diagnostic mode (Code No. 60) to check the faulty cylinder number. (If multiple cylinders are defective, the numbers of the faulty cylinders are displayed alternately at 2-second intervals.) 2 Execute the CO adjustment mode and set the exhaust gas volume of the faulty cylinder to "0". • Replace ECU if it does not recover from the malfunction. 	Turning the main switch to "ON". (Readjust the exhaust gas volume after it is reinstated.)

FUEL INJECTION SYSTEM

Fault code No.	46	Symptom	Power supply is not normal.	
Diagnostic code No.	—	—	—	
Order	Item/components and probable cause		Check or maintenance job	Reinstatement method
1	Malfunction in rectifier/regulator		<ul style="list-style-type: none"> • Replace if defective. Refer to "CHARGING SYSTEM" on page 8-11. 	Starting the engine and operating it at idle.
2	Open or short circuit in wire harness.		<ul style="list-style-type: none"> • Repair or replace if there is an open or short circuit in the charging system's wiring. Refer to "CHARGING SYSTEM" on page 8-11. 	

Fault code No.	50	Symptom	Faulty ECU memory. (When this malfunction is detected in the ECU, the fault code number might not appear on the meter.)	
Diagnostic code No.	—	—	—	
Order	Item/components and probable cause		Check or maintenance job	Reinstatement method
1	Malfunction in ECU.		Replace the ECU. NOTE: _____ Be sure to turn the main switch to "OFF" before replacing the ECU.	Turning the main switch to "ON".

FUEL INJECTION SYSTEM

Fault code No.	59	Symptom	Throttle position sensor (for throttle cable pulley): open or short circuit detected. Throttle position sensor (for throttle cable pulley): coupler connection is loose.	
Diagnostic code No.	14 15	Throttle position sensor (for throttle cable pulley) signal 1 Throttle position sensor (for throttle cable pulley) signal 2		
Order	Item/components and probable cause		Check or maintenance job	Reinstatement method
1	Installed state of throttle position sensor (for throttle cable pulley).		<ul style="list-style-type: none"> • Check for looseness or pinching. • Check that the sensor is installed in the specified position. 	Turning the main switch to "ON".
2	Connections <ul style="list-style-type: none"> • Throttle position sensor (for throttle cable pulley) coupler • Main wire harness ECU coupler 		<ul style="list-style-type: none"> • Check the couplers for any pins that may be pulled out. • Check the locking condition of the couplers. • If there is a malfunction, repair it and connect the coupler securely. 	
3	Open or short circuit in wire harness.		<ul style="list-style-type: none"> • Repair or replace if there is an open or short circuit. • Between throttle position sensor (for throttle cable pulley) coupler and ECU coupler. (Black/Blue–Black/Blue) (White–White) (Blue–Blue) (Black–Black) 	
4	Defective throttle position sensor (for throttle cable pulley).		<ul style="list-style-type: none"> • Execute the diagnostic mode. (Code Nos. 14, 15) • Replace if defective. Refer to "CHECKING THE THROTTLE POSITION SENSOR (FOR THROTTLE CABLE PULLEY)" on page 8-97. 	

FUEL INJECTION SYSTEM

Fault code No.	60	Symptom	Throttle servo motor: open or short circuit detected. Defective throttle servo motor. Malfunction in ECU (servo motor driving system).	
Diagnostic code No.	01 13	Throttle position sensor (for throttle valves) signal 1 Throttle position sensor (for throttle valves) signal 2		
Order	Item/components and probable cause		Check or maintenance job	Reinstatement method
1	Installed state of accelerator position sensor (for throttle valves).		<ul style="list-style-type: none"> • Check for looseness or pinching. • Check that the sensor is installed in the specified position. 	Turning the main switch to "ON".
2	Connections <ul style="list-style-type: none"> • Throttle servo motor coupler • Main wire harness ECU coupler 		<ul style="list-style-type: none"> • Check the couplers for any pins that may be pulled out. • Check the locking condition of the couplers. • If there is a malfunction, repair it and connect the coupler securely. 	
3	Open or short circuit in wire harness.		<ul style="list-style-type: none"> • Repair or replace if there is an open or short circuit. • Between throttle servo motor coupler and ECU coupler. (Yellow/Red–Yellow/Red) (Light green/Red–Light green/Red) 	
4	Defective throttle servo motor.		<ul style="list-style-type: none"> • Execute the diagnostic mode. (Code Nos. 01, 13) • Replace the throttle body assembly if defective. 	
5	Malfunction in ECU.		Replace the ECU.	

Fault code No.	Er-1	Symptom	No signals are received from the ECU.	
Diagnostic code No.	—	—		
Order	Item/components and probable cause		Check or maintenance job	Reinstatement method
1	Connections <ul style="list-style-type: none"> • Main wire harness ECU coupler • Main wire harness meter assembly coupler 		<ul style="list-style-type: none"> • Check the couplers for any pins that may be pulled out. • Check the locking condition of the coupler. • If there is a malfunction, repair it and connect the coupler securely. 	Turning the main switch to "ON".
2	Open or short circuit in wire harness.		<ul style="list-style-type: none"> • Repair or replace if there is an open or short circuit. • Between meter assembly coupler and ECU coupler. (Yellow/Blue–Yellow/Blue) 	
3	Malfunction in meter assembly.		Replace the meter assembly.	
4	Malfunction in ECU.		Replace the ECU.	

FUEL INJECTION SYSTEM

Fault code No.	Er-2	Symptom	No signals are received from the ECU within the specified duration.	
Diagnostic code No.		—	—	
Order	Item/components and probable cause	Check or maintenance job		Reinstatement method
1	Connections <ul style="list-style-type: none"> • Main wire harness ECU coupler • Main wire harness meter assembly coupler 	<ul style="list-style-type: none"> • Check the coupler for any pins that may be pulled out. • Check the locking condition of the coupler. • If there is a malfunction, repair it and connect the coupler securely. 		Turning the main switch to "ON".
2	Open or short circuit in wire harness.	<ul style="list-style-type: none"> • Repair or replace if there is an open or short circuit. • Between meter assembly coupler and ECU coupler. (Yellow/Blue–Yellow/Blue) 		
3	Malfunction in meter assembly.	Replace the meter assembly.		
4	Malfunction in ECU.	Replace the ECU.		

Fault code No.	Er-3	Symptom	Data from the ECU cannot be received correctly.	
Diagnostic code No.		—	—	
Order	Item/components and probable cause	Check or maintenance job		Reinstatement method
1	Connections <ul style="list-style-type: none"> • Main wire harness ECU coupler • Main wire harness meter assembly coupler 	<ul style="list-style-type: none"> • Check the couplers for any pins that may be pulled out. • Check the locking condition of the coupler. • If there is a malfunction, repair it and connect the coupler securely. 		Turning the main switch to "ON".
2	Open or short circuit in wire harness.	<ul style="list-style-type: none"> • Repair or replace if there is an open or short circuit. • Between meter assembly coupler and ECU coupler. (Yellow/Blue–Yellow/Blue) 		
3	Malfunction in meter assembly.	Replace the meter assembly.		
4	Malfunction in ECU.	Replace the ECU.		

FUEL INJECTION SYSTEM

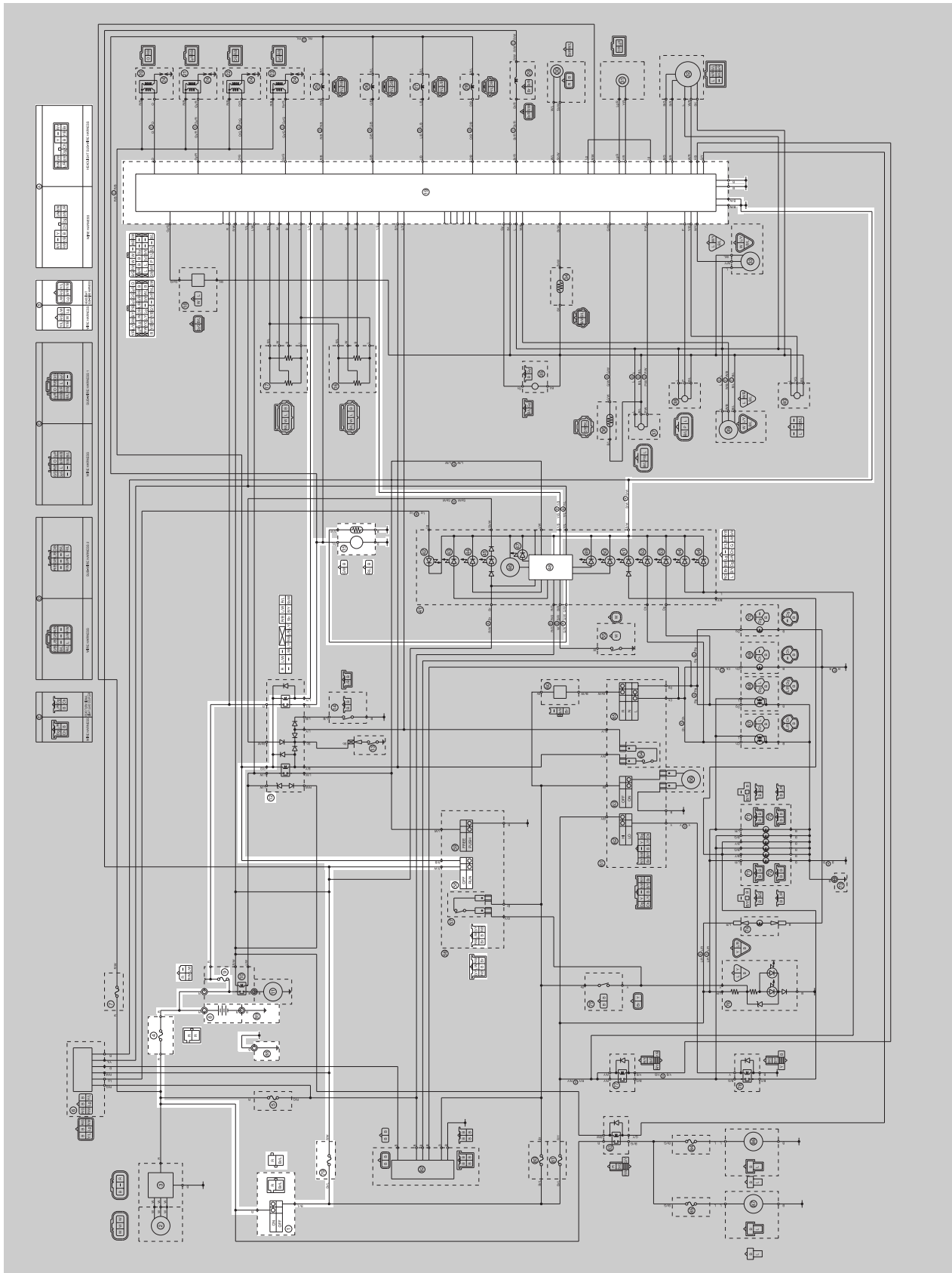
Fault code No.	Er-4	Symptom	Non-registered data has been received from the meter.	
Diagnostic code No.		—	—	
Order	Item/components and probable cause	Check or maintenance job		Reinstatement method
1	Connections <ul style="list-style-type: none"> • Main wire harness ECU coupler • Main wire harness meter assembly coupler 	<ul style="list-style-type: none"> • Check the couplers for any pins that may be pulled out. • Check the locking condition of the coupler. • If there is a malfunction, repair it and connect the coupler securely. 		Turning the main switch to "ON".
2	Open or short circuit in wire harness.	<ul style="list-style-type: none"> • Repair or replace if there is an open or short circuit. • Between meter assembly coupler and ECU coupler. (Yellow/Blue–Yellow/Blue) 		
3	Malfunction in meter assembly.	Replace the meter assembly.		
4	Malfunction in ECU	Replace the ECU.		

EAS27550

FUEL PUMP SYSTEM

EAS27560

CIRCUIT DIAGRAM



- 1. Main switch
- 4. Main fuse
- 8. Battery
- 9. Fuel injection system fuse
- 12. Starting circuit cut-off relay
- 15. Fuel pump
- 19. ECU (engine control unit)
- 48. Multi-function meter
- 58. Engine stop switch
- 79. Ignition fuse
- 88. Ground
- 89. Battery negative lead

EAS27570

TROUBLESHOOTING

If the fuel pump fails to operate.

NOTE:

- Before troubleshooting, remove the following part(s):

- 1 Rider seat
- 2 Passenger seat
- 3 Fuel tank
- 4 Side cowlings

<p>1 Check the fuses. (Main, ignition and fuel injection system) Refer to "CHECKING THE FUSES" on page 8-85.</p>	NG→	<p>Replace the fuse(s).</p>
OK↓		
<p>2 Check the battery. Refer to "CHECKING AND CHARGING THE BATTERY" on page 8-85.</p>	NG→	<ul style="list-style-type: none"> • Clean the battery terminals. • Recharge or replace the battery.
OK↓		
<p>3 Check the main switch. Refer to "CHECKING THE SWITCHES" on page 8-81.</p>	NG→	<p>Replace the immobilizer unit.</p>
OK↓		
<p>4 Check the engine stop switch. Refer to "CHECKING THE SWITCHES" on page 8-81.</p>	NG→	<p>Replace the right handlebar switch.</p>
OK↓		
<p>5 Check the starting circuit cut-off relay. Refer to "CHECKING THE RELAYS" on page 8-88.</p>	NG→	<p>Replace the starting circuit cut-off relay.</p>
OK↓		
<p>6 Check the fuel pump. Refer to "CHECKING THE FUEL PRESSURE" on page 7-6.</p>	NG→	<p>Replace the fuel pump.</p>
OK↓		

7 Check the entire fuel pump system's wiring.
Refer to "FUEL PUMP SYSTEM" on page 8-65.

NG→

Properly connect or repair the fuel pump system's wiring.

OK↓

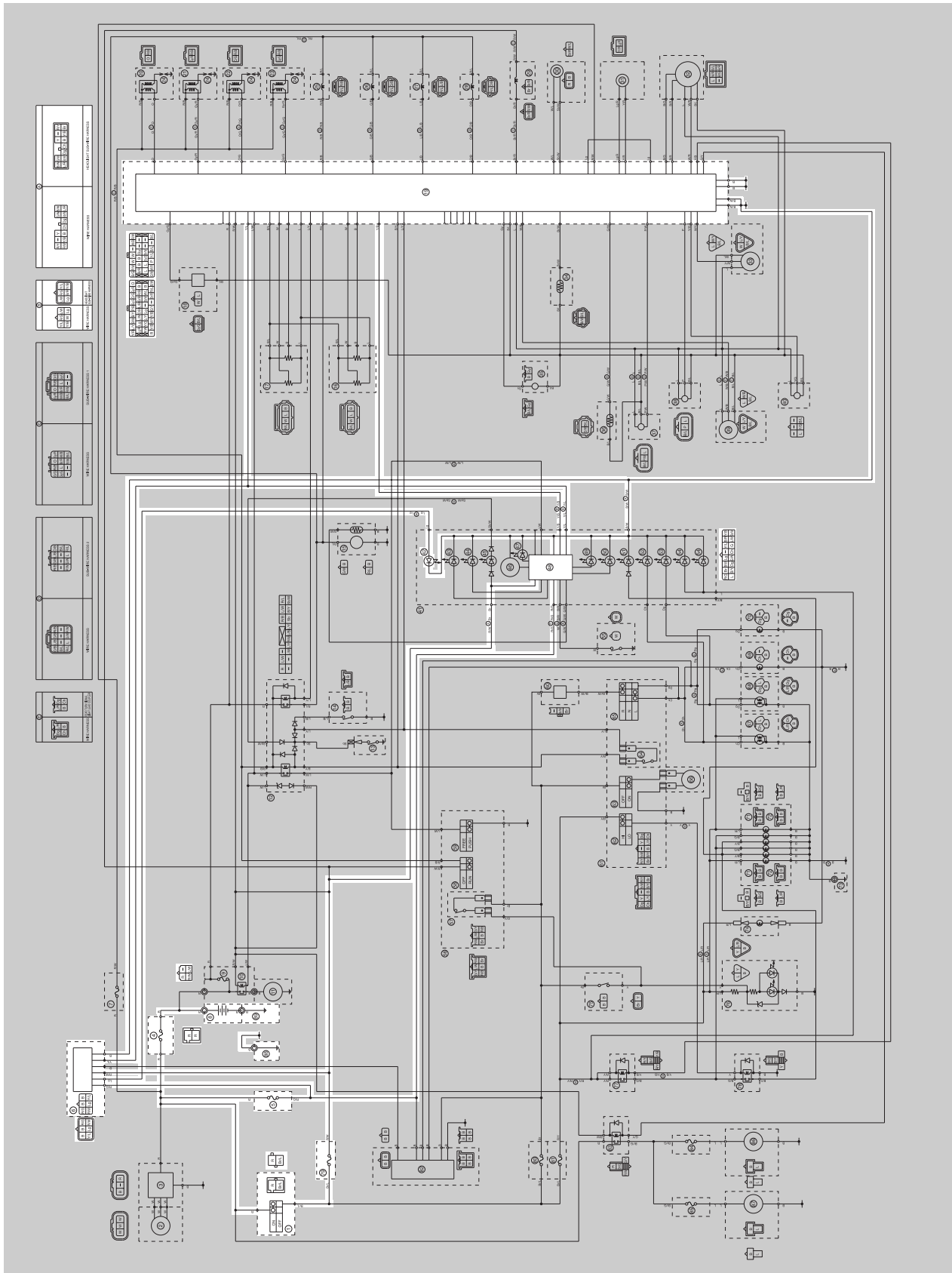
Replace the ECU.

EAS27640

IMMOBILIZER SYSTEM

EAS27650

CIRCUIT DIAGRAM



- 1. Main switch
- 4. Main fuse
- 5. Backup fuse
- 6. Immobilizer unit
- 8. Battery
- 19. ECU (engine control unit)
- 42. Immobilizer system indicator light
- 48. Multi-function meter
- 79. Ignition fuse
- 88. Ground
- 89. Battery negative lead

EAS27671

GENERAL INFORMATION

This vehicle is equipped with an immobilizer system to help prevent theft by re-registering codes in the standard keys. This system consists of the following:

- a code re-registering key (with a red bow)
- two standard keys (with a black bow) that can be re-registered with new codes
- a transponder (installed in the key bow)
- an immobilizer unit
- the ECU
- an immobilizer system indicator light

The key with the red bow is used to register codes in each standard key. Do not use the key with the red bow for driving. It should only be used for re-registering new codes in the standard keys. The immobilizer system cannot be operated with a new key until the key registered with a code. If you lose the code re-registering key, the ECU and main switch (equipped with the immobilizer unit) need to be replaced.

Therefore, always use a standard key for driving. (See caution below.)

NOTE:

Each standard key is registered during production, therefore re-registering at purchase is not necessary.

ECA14971

CAUTION:

- **DO NOT LOSE THE CODE RE-REGISTERING KEY!** If the code re-registering key is lost, registering new codes in the standard keys is impossible. The standard keys can still be used to start the vehicle. However, if code re-registering is required (e.g., if a new standard key is made or all keys are lost) the entire immobilizer system must be replaced. Therefore, it is highly recommended to use either standard key for driving, and to keep the code re-registering key in a safe place.
 - Do not submerge the keys in water.
 - Do not expose the keys to excessively high temperatures.
 - Do not place the keys close to magnets (this includes, but is not limited to, products such as speakers, etc.).
 - Do not place heavy items on the keys.
 - Do not grind the keys or alter their shape.
 - Do not disassemble the key bows.
 - Do not put two keys of any immobilizer system on the same key ring.
 - Keep the standard keys as well as other immobilizer system keys away from the code re-registering key.
 - Keep other immobilizer system keys away from the main switch as they may cause signal interference.
-

EAS27691

PART REPLACEMENT AND KEY CODE REGISTRATION REQUIREMENTS

In the course of use, you may encounter the following cases where replacement of parts and registration of code re-registering/standard keys are required.

NOTE:

Each standard key is registered during production, therefore re-registering at purchase is not necessary.

IMMOBILIZER SYSTEM

	Parts to be replaced					Key registration requirement
	Main switch/immobilizer unit		Standard key	ECU	Accessory lock* and key	
	Main switch	Immobilizer unit				
Standard key is lost			√			New standard key
All keys have been lost (including code re-registering key)		√	√	√	√	Code re-registering key and standard keys
ECU is defective				√		Code re-registering key and standard keys
Immobilizer unit is defective		√				Code re-registering key and standard keys
Main switch is defective		√	√	√	√	Code re-registering key and standard keys
Accessory lock* is defective					√	Not required

* Accessory locks mean the seat lock and fuel tank cap.

Code re-registering key registration:

When the immobilizer unit or ECU is replaced, the code re-registering key must be registered to the unit.

To register a code re-registering key:

1. Turn the main switch to “ON” with the code re-registering key.

NOTE:

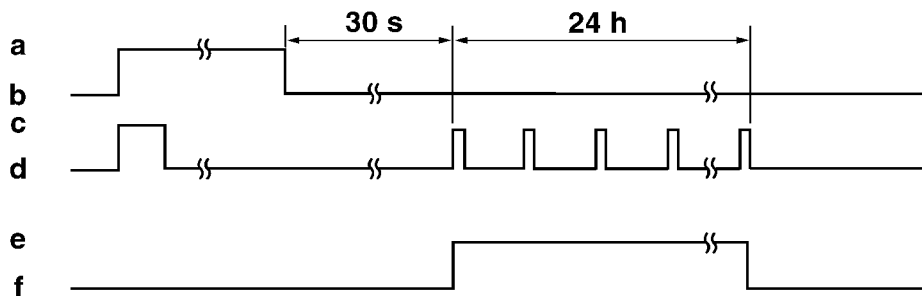
Check that the immobilizer system indicator light comes on for one second, then goes off. When the immobilizer system indicator light goes off, the code re-registering key has been registered.

2. Check that the engine can be started.
3. Register the standard key, following the instructions in the section below.

Standby mode:

To enable the immobilizer system, turn the ignition key to “OFF”. 30 seconds later, the indicator light will start flashing continuously in the standby flashing mode pattern for up to 24 hours. After that time, the indicator light will stop flashing, but the immobilizer system is still enabled.

Standby mode



- a. Main switch “ON”
b. Main switch “OFF”

- c. LED on
d. LED off

- e. Standby mode on
- f. Standby mode off

Standard key registration:

Standard key registration is required when a standard key is lost and needs to be replaced, or when the code re-registering key is re-registered after the immobilizer unit or ECU are replaced.

NOTE:

Do not start the engine with a standard key that has not been registered. If the main switch is turned "ON" with a standard key that has not been registered, the immobilizer system indicator light flashes to indicate fault code "52". (Refer to "SELF-DIAGNOSIS FAULT CODE INDICATION" on page 8-75).

1. Check that the immobilizer system indicator light signals the standby mode.
2. Using the code re-registering key, turn the main switch to "ON", then "OFF", and then remove the key within 5 seconds.
3. Insert the first standard key to be registered into the main switch, then turn the key to "ON" within 5 seconds to activate the key registration mode.

NOTE:

The existing standard key code is erased from the memory when the key registration mode is activated. When the key registration mode is activated, the immobilizer system indicator light flashes rapidly.

4. While the indicator light is flashing, turn the main switch to "OFF", remove the key, and within 5 seconds, insert the second standard key to be registered into the main switch.

NOTE:

If the immobilizer system indicator light stops flashing 5 seconds after the first standard key is registered, the registration mode is deactivated. If this occurs, the second standard key cannot be registered, and steps 2 to 4 need to be repeated to register both standard keys.

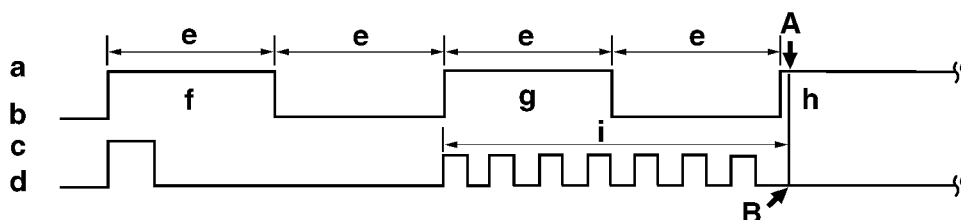
5. Turn the main switch to "ON".

NOTE:

When the indicator light goes off, the registration is complete.

6. Check that the engine can be started with the two registered standard keys.

Standard key registration



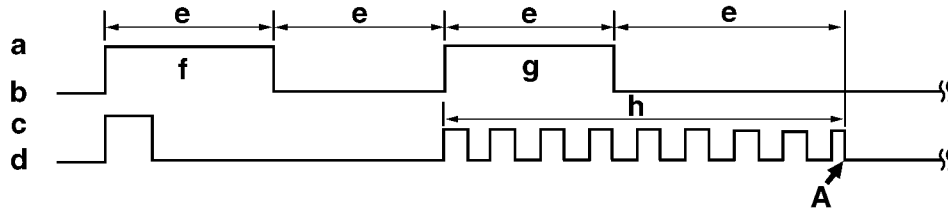
- a. Main switch "ON"
- b. Main switch "OFF"
- c. LED on
- d. LED off
- e. Less than 5.0 s
- f. Code re-registering key
- g. First standard key
- h. Second standard key
- i. Registration mode

- A. Registration of the second standard key is complete.
- B. Immobilizer system indicator light stops flashing when the registration of the second standard key is complete.

Voiding the standard key code:

If a standard key has been lost, it is possible to disable its use by re-registering the remaining standard key. Standard key registration erases the stored standard key code from the memory, thus disabling the lost standard key. To re-register, refer to "Standard key registration".

Standard key code voiding method



- | | |
|--|--|
| <ul style="list-style-type: none"> a. Main switch "ON" b. Main switch "OFF" c. LED on d. LED off e. Less than 5.0 s f. Code re-registering key | <ul style="list-style-type: none"> g. Remaining standard key h. Registration mode A. If the immobilizer system indicator light stops flashing 5 seconds after the first standard key is registered, the second standard key cannot be registered. |
|--|--|

EAS27701

TROUBLESHOOTING

When the main switch is turned to "ON", the immobilizer system indicator light does not come on nor flashes.

<p>1 Check the fuses. (Main, ignition and backup) Refer to "CHECKING THE FUSES" on page 8-85.</p>	NG→	<p>Replace the fuse(s).</p>
OK↓		
<p>2 Check the battery. Refer to "CHECKING AND CHARGING THE BATTERY" on page 8-85.</p>	NG→	<ul style="list-style-type: none"> Clean the battery terminals. Recharge or replace the battery.
OK↓		
<p>3 Check the main switch. Refer to "CHECKING THE SWITCHES" on page 8-81.</p>	NG→	<p>Replace the main switch/immobilizer unit.</p>
OK↓		

4 Check the entire immobilizer system wiring.
Refer to "IMMOBILIZER SYSTEM" on page 8-69.

NG→

Properly connect or repair the immobilizer system wiring.

OK↓

- Check the condition of the each immobilizer system circuits.
- Refer to "SELF-DIAGNOSIS FAULT CODE INDICATION" on page 8-75.

EAS27721

SELF-DIAGNOSIS FAULT CODE INDICATION

When a system failure occurs, the error code number is indicated in the LCD display of meter and the immobilizer system indicator light blinks at the same time. The pattern of blinking also shows the error code.

Fault code	Part	Symptom	Cause	Action
51	IMMOBILIZER UNIT	Code cannot be transmitted between the key and immobilizer unit.	<ol style="list-style-type: none"> 1 Radio wave interference caused by objects around the keys and antennas. 2 Immobilizer unit malfunction. 3 Key malfunction. 	<ol style="list-style-type: none"> 1 Keep magnets, metal objects, and other immobilizer system keys away from the keys and antennas. 2 Replace the main switch/immobilizer unit. 3 Replace the key.
52	IMMOBILIZER UNIT	Codes between the key and immobilizer unit do not match.	<ol style="list-style-type: none"> 1 Signal received from other transponder (failed to recognize code after ten consecutive attempts). 2 Signal received from unregistered standard key. 	<ol style="list-style-type: none"> 1 Place the immobilizer unit at least 50 mm away from the transponder of other vehicles. 2 Register the standard key.
53	IMMOBILIZER UNIT	Codes cannot be transmitted between the ECU and the immobilizer unit.	<p>Noise interference or disconnected lead/cable.</p> <ol style="list-style-type: none"> 1 Interference due to radio wave noise. 2 Disconnected communication harness. 3 Immobilizer unit malfunction. 4 ECU malfunction. 	<ol style="list-style-type: none"> 1 Check the wire harness and connector. 2 Replace the main switch/immobilizer unit. 3 Replace the ECU.

IMMOBILIZER SYSTEM

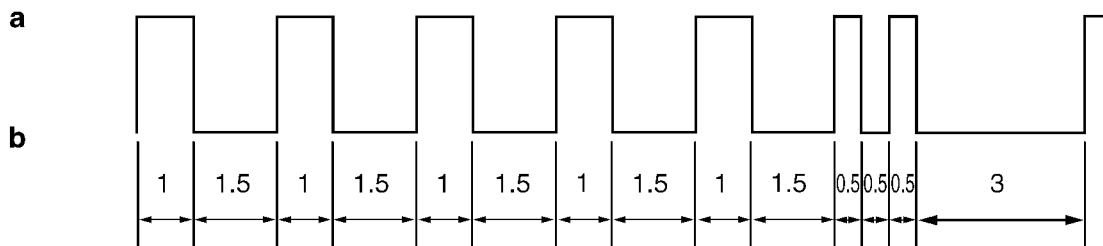
Fault code	Part	Symptom	Cause	Action
54	IMMOBILIZER UNIT	Codes transmitted between the ECU and the immobilizer unit do not match.	Noise interference or disconnected lead/cable. 1 Interference due to radio wave noise. 2 Disconnected communication harness. 3 Immobilizer unit malfunction. 4 ECU failure. (The ECU or immobilizer unit was replaced with a used unit from another vehicle.)	1 Register the code re-registering key. 2 Check the wire harness and connector. 3 Replace the main switch/immobilizer unit. 4 Replace the ECU.
55	IMMOBILIZER UNIT	Key code registration malfunction.	Same standard key was attempted to be registered two consecutive times.	Register another standard key.
56	ECU	Undefinition code is received.	Noise interference or disconnected lead/cable.	1 Check the wire harness and connector. 2 Replace the main switch/immobilizer unit. 3 Replace the ECU.

Immobilizer system indicator light fault code indication

Digit of 10 : Cycles of 1 sec. ON and 1.5 sec. OFF.

Digit of 1 : Cycles of 0.5 sec. ON and 0.5 sec. OFF.

Example: fault code 52

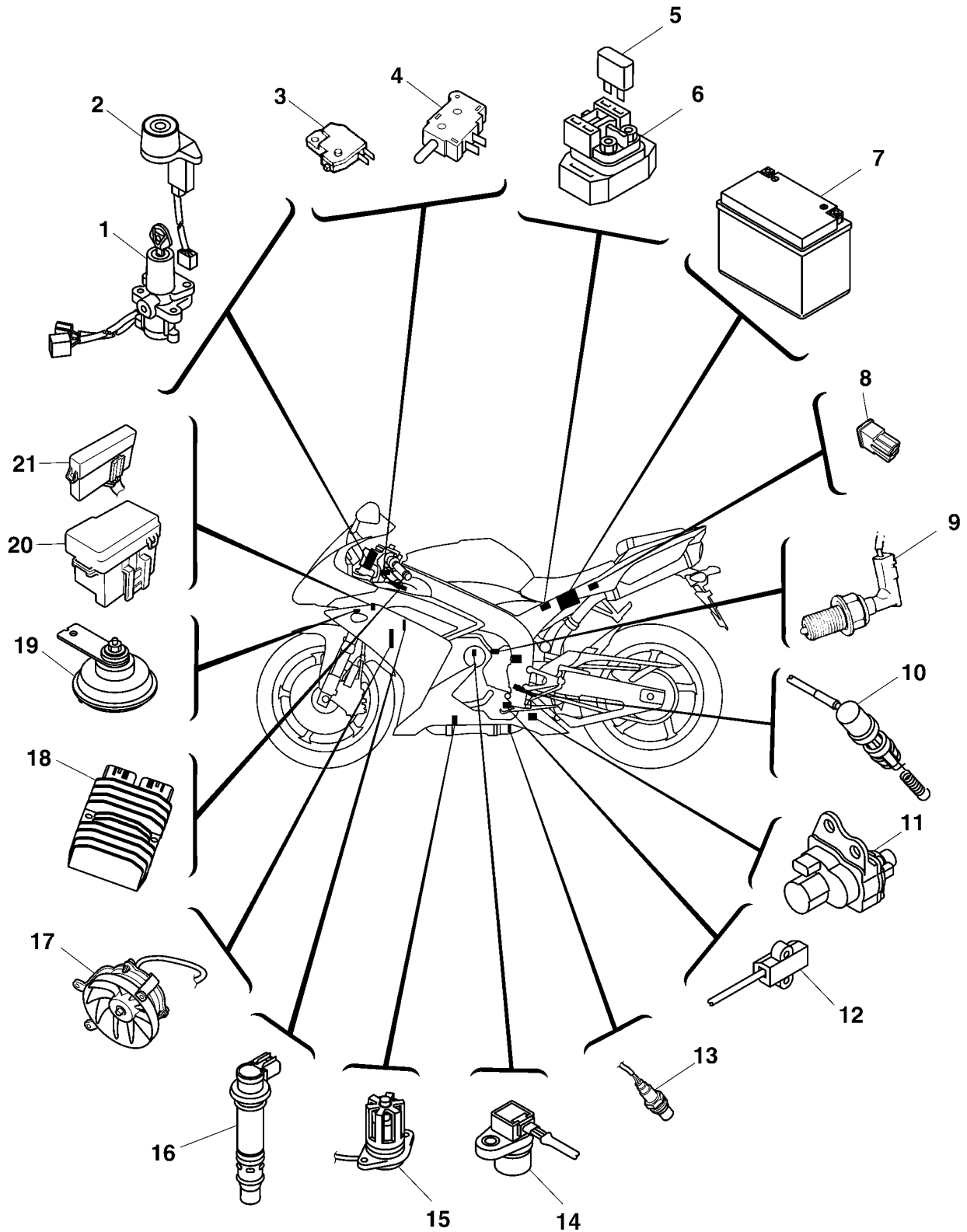


a. Light on

b. Light off

EAS27970

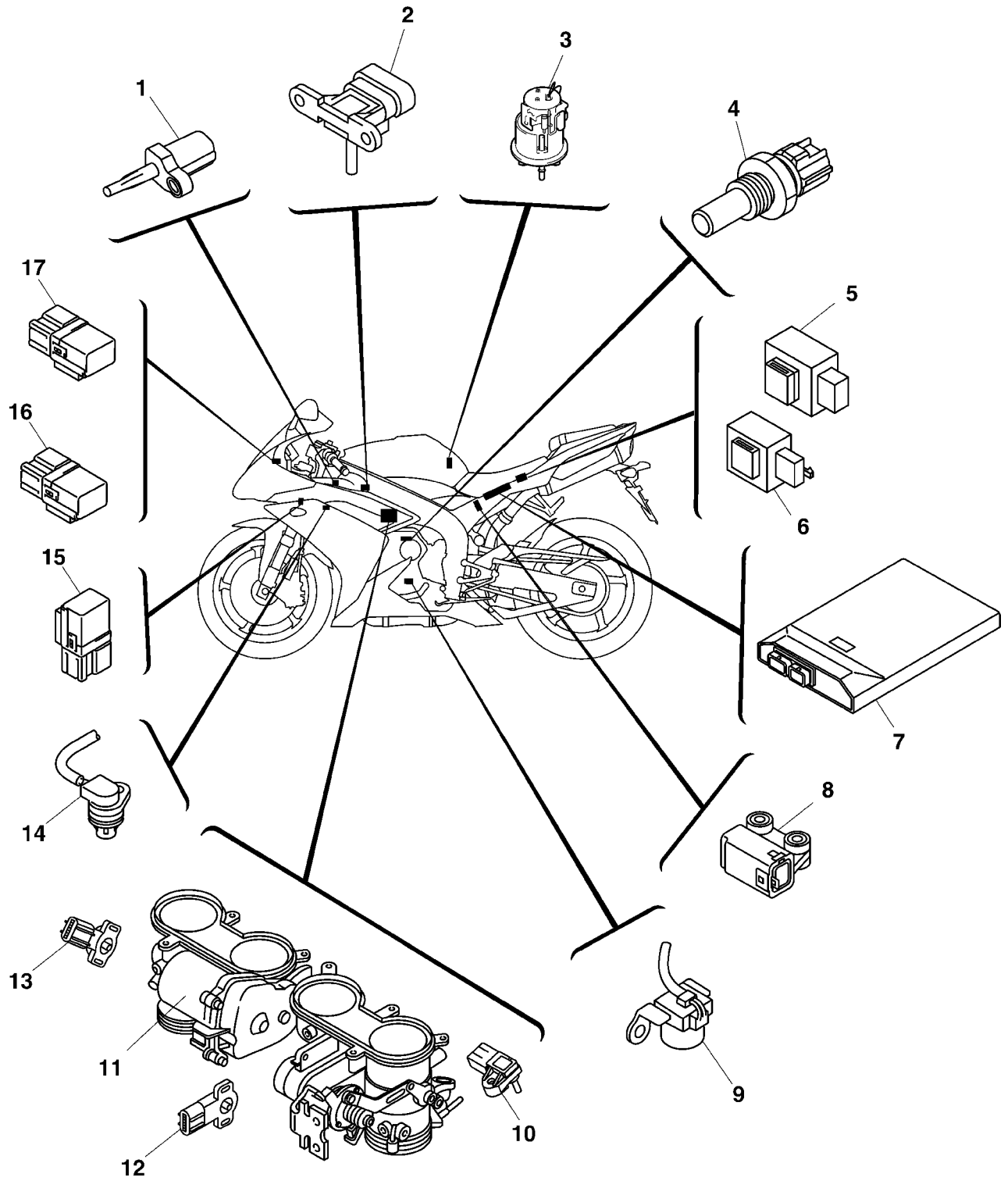
ELECTRICAL COMPONENTS



ELECTRICAL COMPONENTS

1. Main switch
2. Immobilizer unit
3. Front brake light switch
4. Clutch switch
5. Fuel injection system fuse
6. Starter relay
7. Battery
8. Main fuse
9. Neutral switch
10. Rear brake light switch
11. EXUP servo motor
12. Sidestand switch
13. O₂ sensor
14. Speed sensor
15. Oil level switch
16. Ignition coil
17. Radiator fan motor
18. Rectifier/regulator
19. Horn
20. Fuse box (radiator fan motor, signaling system, ignition, ETV, backup)
21. Fuse box (headlight)

ELECTRICAL COMPONENTS

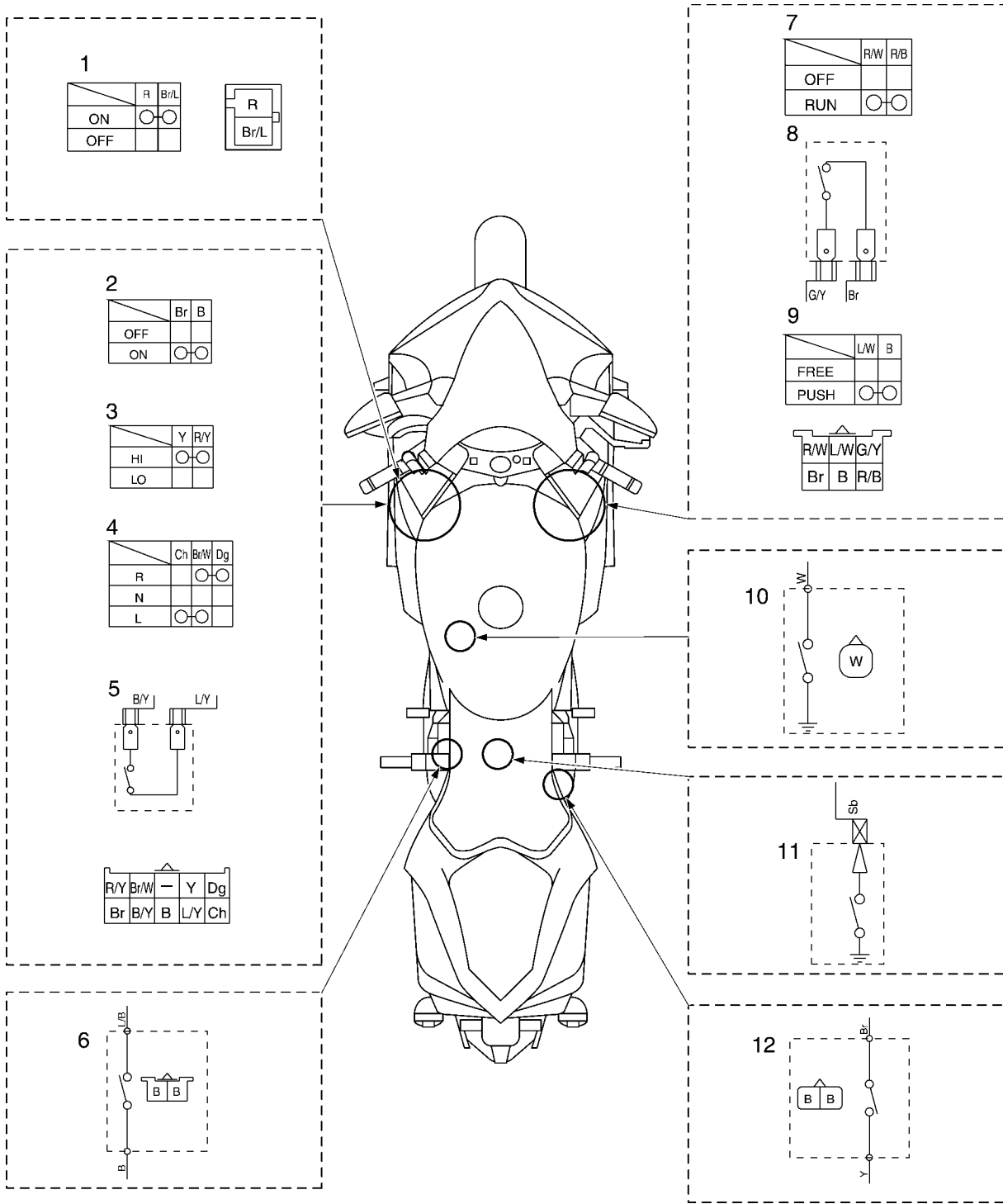


1. Air temperature sensor
2. Atmospheric pressure sensor
3. Fuel pump
4. Coolant temperature sensor
5. Starting circuit cut-off relay
6. Turn signal relay
7. ECU (engine control unit)
8. Lean angle sensor
9. Crankshaft position sensor
10. Intake air pressure sensor
11. Throttle servo motor
12. Throttle position sensor (for throttle cable pulley)
13. Throttle position sensor (for throttle valves)
14. Cylinder identification sensor
15. Radiator fan motor relay
16. Headlight relay (dimmer)
17. Headlight relay (on/off)

ELECTRICAL COMPONENTS

EAS27980

CHECKING THE SWITCHES



ELECTRICAL COMPONENTS

1. Main switch
2. Horn switch
3. Dimmer switch
4. Turn signal switch
5. Clutch switch
6. Sidestand switch
7. Engine stop switch
8. Front brake light switch
9. Start switch
10. Oil level switch
11. Neutral switch
12. Rear brake light switch

ELECTRICAL COMPONENTS

Check each switch for continuity with the pocket tester. If the continuity reading is incorrect, check the wiring connections and if necessary, replace the switch.

ECA14370

CAUTION:

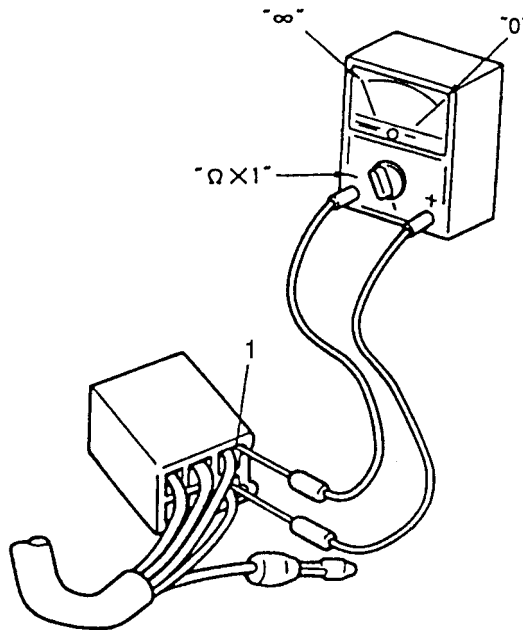
Never insert the tester probes into the coupler terminal slots "a". Always insert the probes from the opposite end of the coupler, taking care not to loosen or damage the leads.



Pocket tester
90890-03112
Analog pocket tester
YU-03112-C

NOTE:

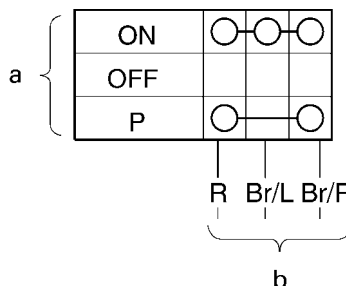
- Before checking for continuity, set the pocket tester to "0" and to the " $\Omega \times 1$ " range.
- When checking for continuity, switch back and forth between the switch positions a few times.



The switches and their terminal connections are illustrated as in the following example of the main switch.

The switch positions "a" are shown in the far left column and the switch lead colors "b" are shown in the top row.

The continuity (i. e., a closed circuit) between switch terminals at a given switch position is indication by "○—○" There is continuity between red, brown/blue, and brown/red when the switch is set to "ON" and between red and brown/red when the switch is set to "P".



NOTE:

Check each bulb socket for continuity in the same manner as described in the bulb section; however, note the following.

- a. Install a good bulb into the bulb socket.
- b. Connect the pocket tester probes to the respective leads of the bulb socket.
- c. Check the bulb socket for continuity. If any of the readings indicate no continuity, replace the bulb socket.

EAS28000

CHECKING THE FUSES

The following procedure applies to all of the fuses.

ECA13680

CAUTION:

To avoid a short circuit, always set the main switch to “OFF” when checking or replacing a fuse.

1. Remove:
 - Rider seat
 - Passenger seat
 - Side cowlings
2. Check:
 - Fuse

- a. Connect the pocket tester to the fuse and check the continuity.

NOTE:

Set the pocket tester selector to “Ω × 1”.



Pocket tester
90890-03112
Analog pocket tester
YU-03112-C

- b. If the pocket tester indicates “∞”, replace the fuse.

3. Replace:
 - Blown fuse

- a. Set the main switch to “OFF”.
- b. Install a new fuse of the correct amperage rating.
- c. Set on the switches to verify if the electrical circuit is operational.

- d. If the fuse immediately blows again, check the electrical circuit.

Fuses	Amperage rating	Q'ty
Main	50 A	1
Headlight	25 A	1
Signaling system	7.5 A	1
Buckup	7.5 A	1
ETV	7.5 A	1
Ignition	15 A	1
Radiator fan motor	15 A	2
Reserve	7.5 A	1
Reserve	1.5 A	1
Reserve	25 A	1

EWA13310

WARNING

Never use a fuse with an amperage rating other than that specified. Improvising or using a fuse with the wrong amperage rating may cause extensive damage to the electrical system, cause the lighting and ignition systems to malfunction and could possibly cause a fire.

4. Install:
 - Side cowlings
 - Passenger seat
 - Rider seat

EAS28030

CHECKING AND CHARGING THE BATTERY

EWA13290

WARNING

Batteries generate explosive hydrogen gas and contain electrolyte which is made of poisonous and highly caustic sulfuric acid. Therefore, always follow these preventive measures:

- **Wear protective eye gear when handling or working near batteries.**
- **Charge batteries in a well-ventilated area.**
- **Keep batteries away from fire, sparks or open flames (e.g., welding equipment, lighted cigarettes).**
- **DO NOT SMOKE when charging or handling batteries.**
- **KEEP BATTERIES AND ELECTROLYTE OUT OF REACH OF CHILDREN.**

- c. Make sure that the current is higher than the standard charging current written on the battery.

NOTE:

If the current is lower than the standard charging current written on the battery, This type of battery charger cannot charge the MF battery. A variable voltage charger is recommended.

- d. Charge the battery until the battery's charging voltage is 15 V.

NOTE:

Set the charging time at 20 hours (maximum).

- e. Measure the battery open-circuit voltage after leaving the battery unused for more than 30 minutes.

12.8 V or more --- Charging is complete.
 12.7 V or less --- Recharging is required.
 Under 12.0 V --- Replace the battery.



6. Install:
 - Battery
7. Connect:
 - Battery leads
(to the battery terminals)

ECA13630

CAUTION:

First, connect the positive battery lead "1", and then the negative battery lead "2".

8. Check:
 - Battery terminals
Dirt → Clean with a wire brush.
Loose connection → Connect properly.
9. Lubricate:
 - Battery terminals

Recommended lubricant

Dielectric grease

10. Install:
 - Rider seat
Refer to "GENERAL CHASSIS" on page 4-1.

EAS28040

CHECKING THE RELAYS

Check each switch for continuity with the pocket tester. If the continuity reading is incorrect, replace the relay.

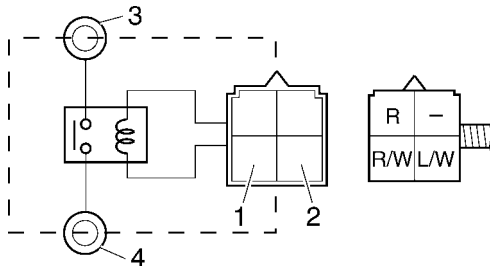
Pocket tester

90890-03112

Analog pocket tester

YU-03112-C

1. Disconnect the relay from the wire harness.
2. Connect the pocket tester ($\Omega \times 1$) and battery (12 V) to the relay terminal as shown. Check the relay operation. Out of specification → Replace.



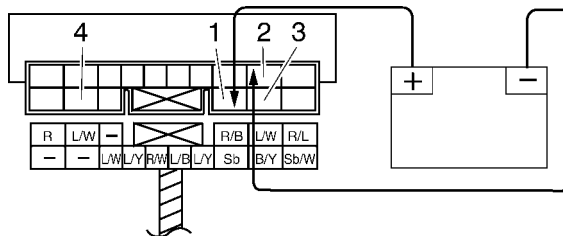
1. Positive battery terminal
2. Negative battery terminal
3. Positive tester probe
4. Negative tester probe

Relay operation

Continuity/No continuity

(between "3" to "4")

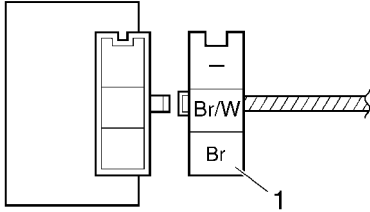
Relay unit (starting circuit cut-off relay)



1. Positive battery terminal
2. Negative battery terminal
3. Positive tester probe
4. Negative tester probe

Result

Continuity/No continuity



- b. Turn the main switch to "ON".
- c. Measure the turn signal relay input voltage.



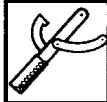
2. Check:
 - Turn signal relay output voltage
Out of specification → Replace.



**Turn signal relay output voltage
DC 12 V**

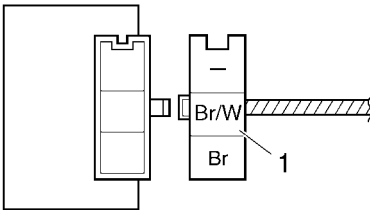


- a. Connect the pocket tester (DC 20 V) to the turn signal relay terminal as shown.



**Pocket tester
90890-03112
Analog pocket tester
YU-03112-C**

- Positive tester probe →
Brown/White "1"
- Negative tester probe →
Ground



- b. Turn the main switch to "ON".
- c. Measure the turn signal relay output voltage.



EAS28050

CHECKING THE RELAY UNIT (DIODE)

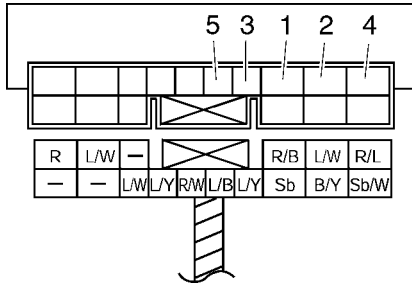
1. Check:
 - Relay unit (diode)
Out of specification → Replace.



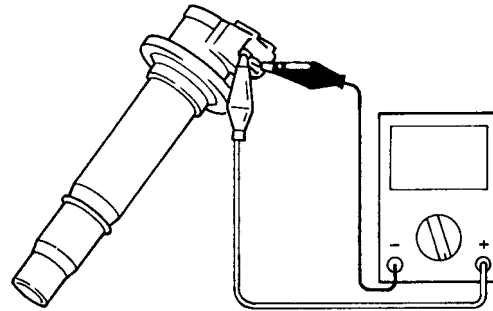
**Pocket tester
90890-03112
Analog pocket tester
YU-03112-C**



Continuity
Positive tester probe → Sky blue "1"
Negative tester probe → Black/Yellow "2"
No continuity
Positive tester probe → Black/Yellow "2"
Negative tester probe → Sky blue "1"
Continuity
Positive tester probe → Sky blue "1"
Negative tester probe → Blue/Yellow "3"
No continuity
Positive tester probe → Blue/Yellow "3"
Negative tester probe → Sky blue "1"
Continuity
Positive tester probe → Sky blue "1"
Negative tester probe → Sky blue/White "4"
No continuity
Positive tester probe → Sky blue/White "4"
Negative tester probe → Sky blue "1"
Continuity
Positive tester probe → Blue/Black "5"
Negative tester probe → Blue/Yellow "3"
No continuity
Positive tester probe → Blue/Yellow "3"
Negative tester probe → Blue/Black "5"



- a. Disconnect the relay unit coupler from the wire harness.
- b. Connect the pocket tester ($\Omega \times 1$) to the relay unit terminal as shown.
- c. Check the relay unit (diode) for continuity.
- d. Check the relay unit (diode) for no continuity.



- c. Measure the primary coil resistance.

2. Check:
 - Secondary coil resistance
Out of specification → Replace.

	Secondary coil resistance 5.02–6.79 k Ω at 20 °C (68 °F)
--	---

EAS28100

CHECKING THE IGNITION COILS

The following procedure applies to all of the ignition coils.

1. Check:
 - Primary coil resistance
Out of specification → Replace.

	Primary coil resistance 0.85–1.15 Ω at 20 °C (68°F)
--	--

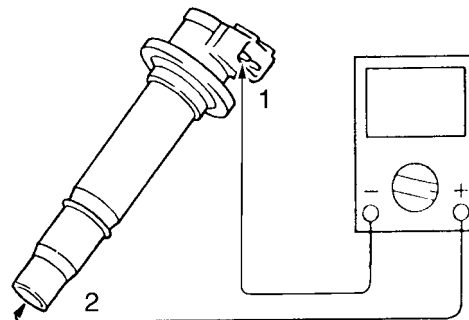
- a. Disconnect the ignition coil connectors from the ignition coil terminals.
- b. Connect the pocket tester ($\Omega \times 1$) to the ignition coil as shown.

	Pocket tester 90890-03112 Analog pocket tester YU-03112-C
--	--

- Positive tester probe
Ignition coil terminal
- Negative tester probe
Ignition coil terminal

	Pocket tester 90890-03112 Analog pocket tester YU-03112-C
--	--

- Negative tester probe
Ignition coil terminal “1”
- Positive tester probe
Spark plug terminal “2”



- c. Measure the secondary coil resistance.

3. Check:
 - Ignition spark gap
Out of specification → Replace.

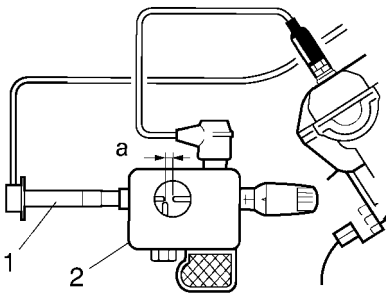


Minimum ignition spark gap
6.0 mm (0.24 in)

- a. Disconnect the ignition coil from the spark plug.
- b. Connect the ignition checker/dynamic spark tester "2" as shown.



Ignition checker
90890-06754
Opama pet-4000 spark checker
YM-34487



18110202

1. Ignition coil
- c. Set the main switch to "ON".
- d. Measure the ignition spark gap "a".
- e. Crank the engine by pushing the starter switch and gradually increase the spark gap until a misfire occurs.



EAS28120

CHECKING THE CRANKSHAFT POSITION SENSOR

1. Disconnect:
 - Crankshaft position sensor coupler (from the wire harness)
2. Check:
 - Crankshaft position sensor resistance
Out of specification → Replace the crankshaft position sensor.



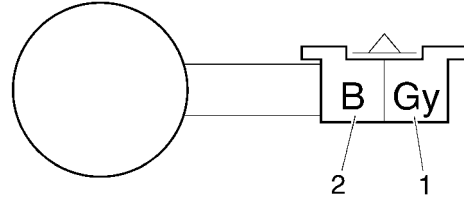
Crankshaft position sensor resistance
336–504 Ω at 20°C (68°F)

- a. Connect the pocket tester ($\Omega \times 100$) to the crankshaft position sensor coupler as shown.



Pocket tester
90890-03112
Analog pocket tester
YU-03112-C

- Positive tester probe
Gray "1"
- Negative tester probe
Black "2"



- b. Measure the crankshaft position sensor resistance.



EAS28130

CHECKING THE LEAN ANGLE SENSOR

1. Remove:
 - Lean angle sensor (from the bracket.)
2. Check:
 - Lean angle sensor out put voltage
Out of specification → Replace.



Lean angle sensor out put voltage
Less than 65°: 0.4–1.4 V
More than 65°: 3.7–4.4 V

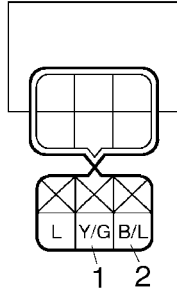
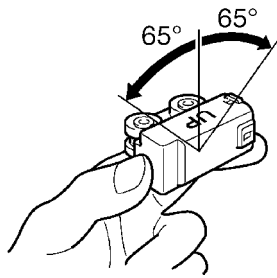


- a. Connect the lean angle sensor coupler to the wire harness.
- b. Connect the pocket tester (DC 20 V) to the lean angle sensor coupler as shown.



Pocket tester
90890-03112
Analog pocket tester
YU-03112-C

- Positive tester probe
Yellow/Green "1"
- Negative tester probe
Black/Blue "2"



- c. When turn the lean angle sensor to 65°.
- d. Measure the lean angle sensor out put voltage.



EAS4C81020

CHECKING THE STARTER MOTOR OPERATION

1. Check:
 - Starter motor operation
Does not operate → Perform the electric starting system troubleshooting, starting with step 4.
Refer to "TROUBLESHOOTING" on page 8-9.

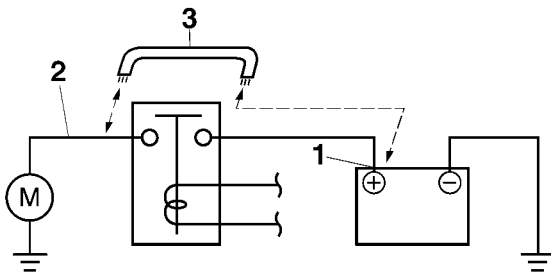


- a. Connect the positive battery terminal "1" and starter motor lead "2" with a jumper lead "3".

EWA13810

WARNING

- A wire that is used as a jumper lead must have at least the same capacity of the battery lead, otherwise the jumper lead may burn.
- This check is likely to produce sparks, therefore, make sure no flammable gas or fluid is in the vicinity.



- b. Check the starter motor operation.



EAS28150

CHECKING THE STATOR COIL

1. Disconnect:
 - Stator coil coupler
(from the rectifier/regulator)
2. Check:
 - Stator coil resistance
Out of specification → Replace the stator coil.



Stator coil resistance
0.14–0.18 Ω at 20°C (68°F)



- a. Connect the pocket tester ($\Omega \times 1$) to the stator coil coupler as shown.

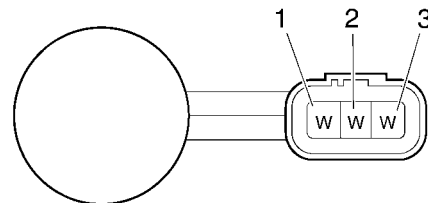


Pocket tester
90890-03112
Analog pocket tester
YU-03112-C

- Positive tester probe
White "1"
- Negative tester probe
White "2"

- Positive tester probe
White "1"
- Negative tester probe
White "3"

- Positive tester probe
White "2"
- Negative tester probe
White "3"



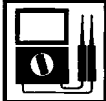
- b. Measure the stator coil resistance.



EAS28170

CHECKING THE RECTIFIER/REGULATOR

1. Check:
 - Charging voltage
Out of specification → Replace the rectifier/regulator.



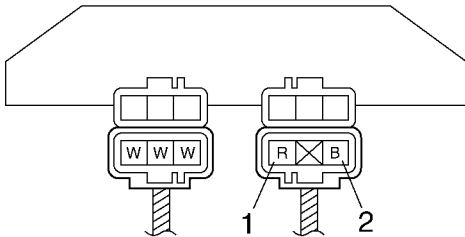
Charging voltage
14 V at 5000 r/min

- a. Set the engine tachometer to the ignition coil of cylinder #1.
- b. Connect the pocket tester (AC 20 V) to the rectifier/regulator coupler as shown.



Pocket tester
90890-03112
Analog pocket tester
YU-03112-C

- Positive tester probe
Red "1"
- Negative tester probe
Black "2"



- c. Start the engine and let it run at approximately 5000 r/min.
- d. Measure the charging voltage.

EAS28180

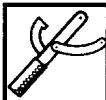
CHECKING THE HORN

1. Check:
 - Horn resistance
Out of specification → Replace.



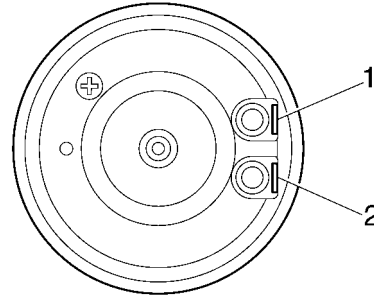
Horn resistance
1.15–1.25 Ω at 20°C (68°F)

- a. Disconnect the horn leads from the horn terminals.
- b. Connect the pocket tester ($\Omega \times 1$) to the horn terminals.



Pocket tester
90890-03112
Analog pocket tester
YU-03112-C

- Positive tester probe
Horn terminal "1"
- Negative tester probe
Horn terminal "2"

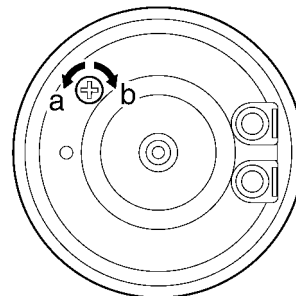


- c. Measure the horn resistance.

2. Check:

- Horn sound
Faulty sound → Adjust or replace.

- a. Connect a battery (12 V) to the horn.
- b. Turn the adjusting screw in direction "a" or "b" until the specified horn sound is obtained.



EAS28190

CHECKING THE OIL LEVEL SWITCH

1. Drain:
 - Engine oil
2. Remove:
 - Oil level switch
(from the oil pan)
3. Check:
 - Oil level switch resistance



Oil level switch
Maximum level position resistance
 484–536 Ω at 20°C (68°F)
Minimum level position resistance
 114–126 Ω at 20°C (68°F)

a. Connect the pocket tester ($\Omega \times 100$) to the oil level switch terminal as shown.



Pocket tester
 90890-03112
Analog pocket tester
 YU-03112-C

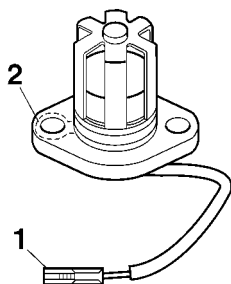
Maximum level position "A"

- Positive tester probe
Connector (white) "1"
- Negative tester probe
Body earth "2"

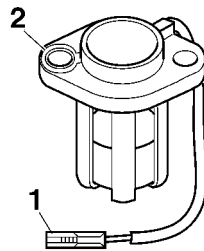
Minimum level position "B"

- Positive tester probe
Connector (white) "1"
- Negative tester probe
Body earth "2"

[A]



[B]



b. Measure the pickup coil resistance.

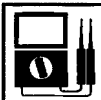
EAS28230

CHECKING THE FUEL SENDER

1. Disconnect:
 - Fuel pump coupler
 - Fuel sender coupler (from the wire harness)
2. Remove:
 - Fuel tank
3. Remove:
 - Fuel pump (from the fuel tank)

4. Check:

- Fuel sender resistance



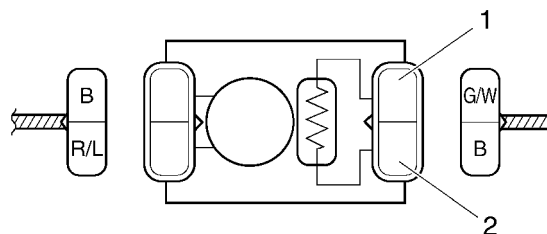
Fuel sender resistance
 19–141 Ω at 20°C (68°F)

a. Connect the pocket tester ($\Omega \times 1$) to the fuel sender terminal as shown.



Pocket tester
 90890-03112
Analog pocket tester
 YU-03112-C

- Positive tester probe
Green/white "1"
- Negative tester probe
Black "2"



b. Measure the fuel sender resistance.

EAS28240

CHECKING THE SPEED SENSOR

1. Check:

- Speed sensor output voltage
Out of specification → Replace.



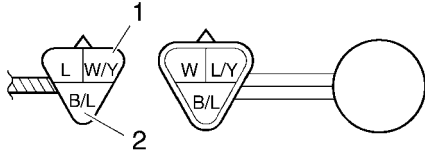
Output voltage reading cycle
 0.6 V to 4.8 V to 0.6 V to 4.8 V

a. Connect the pocket tester (DC 20 V) to the speed sensor coupler (wire harness side) as shown.



Pocket tester
 90890-03112
Analog pocket tester
 YU-03112-C

- Positive tester probe
White/Yellow "1"
- Negative tester probe
Black/Blue "2"



- b. Set the main switch to “ON”.
- c. Elevate the rear wheel and slowly rotate it.
- d. Measure the voltage (DC 5 V) of White/Yellow and Black/Blue. With each full rotation of the rear wheel, the voltage reading should cycle from 0.6 V 4.8V to 0.6 V to 4.8 V.

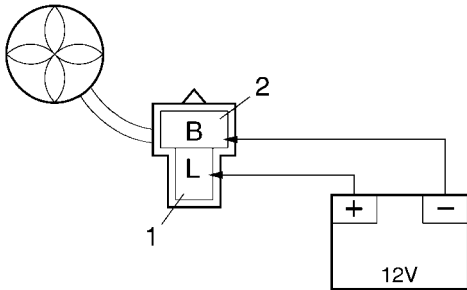


EAS4C81021

CHECKING THE RADIATOR FAN MOTORS

1. Check:
 - Radiator fan motor
Faulty/rough movement → Replace.
- a. Disconnect the radiator fan motor coupler from the wire harness.
 - b. Connect the battery (DC 12 V) as shown.

- Positive tester probe
Blue “1”
- Negative tester probe
Black “2”



- c. Measure the radiator fan motor movement.



EAS28260

CHECKING THE COOLANT TEMPERATURE SENSOR

1. Remove:
 - Coolant temperature sensor

EWA14130

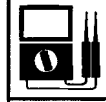


WARNING

- Handle the coolant temperature sensor with special care.

- Never subject the coolant temperature sensor to strong shocks. If the coolant temperature sensor is dropped, replace it.

2. Check:
 - Coolant temperature sensor resistance
Out of specification → Replace.



Coolant temperature sensor resistance

0°C (32°F): 5.21–6.37 kΩ

80°C (176°F): 0.29–0.35 kΩ



- a. Connect the pocket tester ($\Omega \times 100$) to the coolant temperature sensor “1” as shown.



Pocket tester

90890-03112

Analog pocket tester

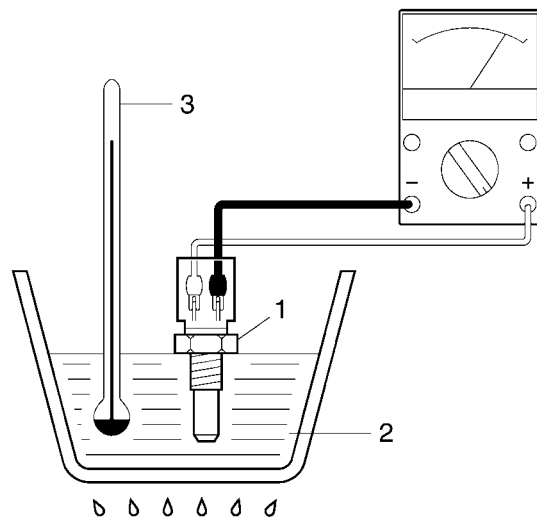
YU-03112-C

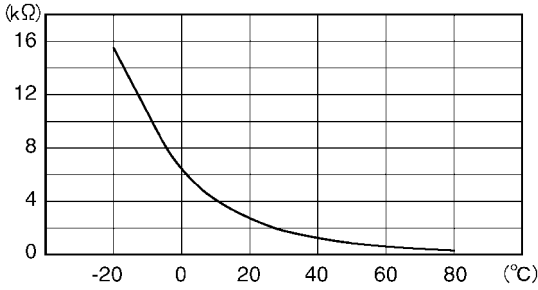
- Positive tester probe
Coolant temperature sensor terminal
- Negative tester probe
Coolant temperature sensor terminal

- b. Immerse the coolant temperature sensor in a container filled with coolant “2”.

NOTE: Make sure the coolant temperature sensor terminals do not get wet.

- c. Place a thermometer “3” in the coolant.





- d. Slowly heat the coolant, and then let it cool to the specified temperature indicated in the table.
- e. Check the coolant temperature sensor for continuity at the temperatures indicated in the table.



EAS4C81022

CHECKING THE THROTTLE POSITION SENSOR (FOR THROTTLE CABLE PULLEY)

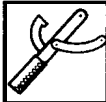
1. Remove:
 - Throttle position sensor (for throttle cable pulley) (from the throttle body)
2. Check:
 - Throttle position sensor (for throttle cable pulley) maximum resistance
Out of specification → Replace the throttle position sensor (for throttle cable pulley)



Resistance
2.0–3.0 kΩ

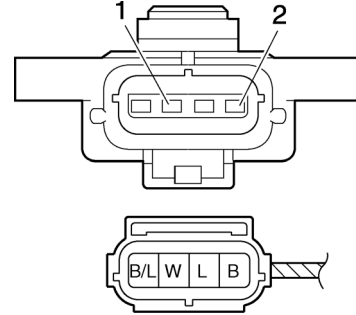


- a. Connect the pocket tester ($\Omega \times 1k$) to the throttle position sensor terminal as shown.



Pocket tester
90890-03112
Analog pocket tester
YU-03112-C

- Positive tester prove → White “1”
- Negative tester prove → Black “2”



- b. Measure the throttle position sensor (for throttle cable pulley) maximum resistance.



3. Install:
 - Throttle position sensor (for throttle cable pulley)

NOTE:

When installing the throttle position sensor (for throttle cable pulley), adjust its angle properly. Refer to "ADJUSTING THE THROTTLE POSITION SENSOR (FOR THROTTLE CABLE PULLEY)" on page 7-7.

EAS28300

CHECKING THE THROTTLE POSITION SENSOR (FOR THROTTLE VALVES)

1. Remove:
 - Throttle position sensor (for throttle valves) (from the throttle body)
2. Check:
 - Throttle position sensor (for throttle valves) maximum resistance
Out of specification → Replace the throttle position sensor (for throttle valves)



Resistance
2.0–3.0 kΩ

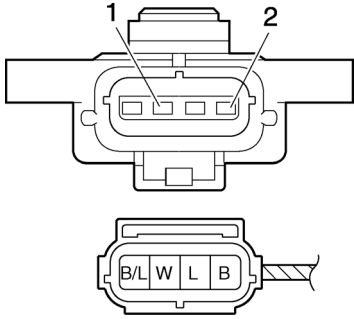


- a. Connect the pocket tester ($\Omega \times 1k$) to the throttle position sensor as shown.



Pocket tester
90890-03112
Analog pocket tester
YU-03112-C

- Positive tester prove → White “1”
- Negative tester prove → Black “2”



b. Measure the throttle position sensor (for throttle valves) maximum resistance.



3. Install:
 • Throttle position sensor (for throttle valves)

NOTE:

When installing the throttle position sensor (for throttle valves), adjust its angle properly. Refer to "ADJUSTING THE THROTTLE POSITION SENSOR (FOR THROTTLE VALVES)" on page 7-6.

EAS28370

CHECKING THE AIR INDUCTION SYSTEM SOLENOID

1. Check:
 • Air induction system solenoid resistance
 Out of specification → Replace.

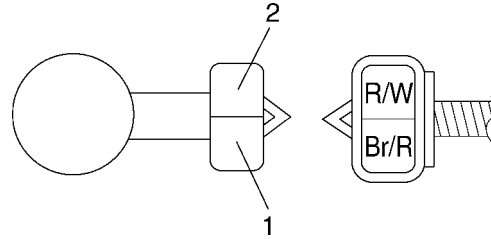
	Solenoid resistance 18–22 Ω at 20°C (68°F)
--	--



a. Disconnect the air induction system solenoid coupler from the air induction system solenoid.
 b. Connect the pocket tester ($\Omega \times 1$) to the air induction system solenoid terminal as shown.

	Pocket tester 90890-03112 Analog pocket tester YU-03112-C
--	--

- Positive tester probe
Brown/Red "1"
- Negative tester probe
Red/White "2"



c. Measure the air induction system solenoid resistance.



EAS28380

CHECKING THE ATMOSPHERIC PRESSURE SENSOR

1. Check:
 • Atmospheric pressure sensor output voltage
 Out of specification → Replace.

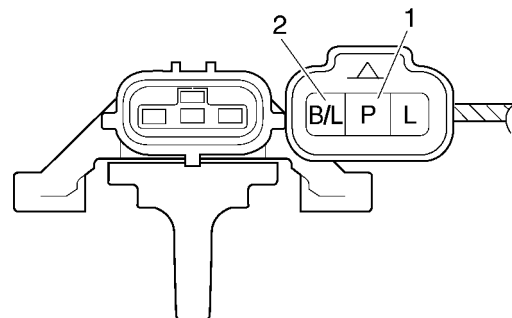
	Atmospheric pressure sensor resistance 3.75–4.25 V
--	--



a. Connect the pocket tester (DC 20 V) to the atmospheric pressure sensor coupler (wire harness side) as shown.

	Pocket tester 90890-03112 Analog pocket tester YU-03112-C
--	--

- Positive tester probe
Pink "1"
- Negative tester probe
Black/Blue "2"



b. Set the main switch to "ON".
 c. Measure the atmospheric pressure sensor output voltage.



EAS28390

CHECKING THE CYLINDER IDENTIFICATION SENSOR

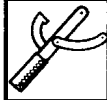
- Check:
 - Cylinder identification sensor output voltage
Out of specification → Replace.



Cylinder identification sensor output voltage

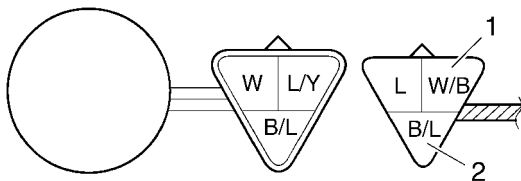
When sensor is on
4.8 V or more
When sensor is off
4.8 V or less

- Connect the pocket tester (DC 20 V) to the cylinder identification sensor coupler (wire harness side) as shown.



Pocket tester
90890-03112
Analog pocket tester
YU-03112-C

- Positive tester probe
White/Black “1”
- Negative tester probe
Black/Blue “2”



- Set the main switch to “ON”.
- Rotate the crankshaft.
- Measure the voltage (DC 20 V) of White/Black and Black/Blue. With each full rotation of the crankshaft, the voltage reading should cycle from 0.8 V to 4.8 V to 0.8 V to 4.8 V.

EAS28410

CHECKING THE INTAKE AIR PRESSURE SENSOR

- Check:
 - Intake air pressure sensor output voltage
Out of specification → Replace.



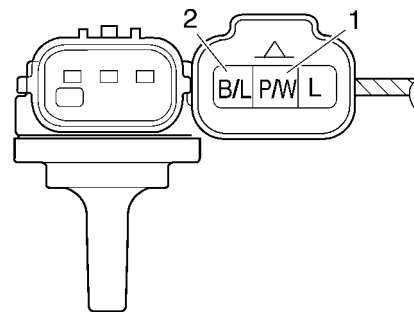
Intake air pressure sensor output voltage
3.15–4.15 V

- Connect the pocket tester (DC 20 V) to the intake air pressure sensor coupler (wire harness side) as shown.



Pocket tester
90890-03112
Analog pocket tester
YU-03112-C

- Positive tester probe
Pink/White “1”
- Negative tester probe
Black/Blue “2”



- Set the main switch to “ON”.
- Measure the intake air pressure sensor output voltage.

EAS28420

CHECKING THE INTAKE AIR TEMPERATURE SENSOR

- Remove:
 - Intake air temperature sensor
(from the air filter case.)

EWA14110



- Handle the intake air temperature sensor with special care.
- Never subject the intake air temperature sensor to strong shocks. If the intake air temperature sensor is dropped, replace it.

- Check:
 - Intake air temperature sensor resistance
Out of specification → Replace.

TROUBLESHOOTING

TROUBLESHOOTING	9-1
GENERAL INFORMATION	9-1
STARTING FAILURES	9-1
INCORRECT ENGINE IDLING SPEED	9-1
POOR MEDIUM-AND-HIGH-SPEED PERFORMANCE	9-2
FAULTY GEAR SHIFTING	9-2
SHIFT PEDAL DOES NOT MOVE	9-2
JUMPS OUT OF GEAR	9-2
FAULTY CLUTCH	9-2
OVERHEATING	9-2
OVERCOOLING	9-3
POOR BRAKING PERFORMANCE	9-3
FAULTY FRONT FORK LEGS	9-3
UNSTABLE HANDLING	9-3
FAULTY LIGHTING OR SIGNALING SYSTEM	9-4

EAS28450

TROUBLESHOOTING

EAS28460

GENERAL INFORMATION

NOTE:

The following guide for troubleshooting does not cover all the possible causes of trouble. It should be helpful, however, as a guide to basic troubleshooting. Refer to the relative procedure in this manual for checks, adjustments, and replacement of parts.

EAS28470

STARTING FAILURES

Engine

1. Cylinder(s) and cylinder head(s)
 - Loose spark plug
 - Loose cylinder head
 - Damaged cylinder head gasket
 - Damaged cylinder gasket
 - Worn or damaged cylinder
 - Incorrect valve clearance
 - Improperly sealed valve
 - Incorrect valve-to-valve-seat contact
 - Incorrect valve timing
 - Faulty valve spring
 - Seized or damaged valve
2. Piston(s) and piston ring(s)
 - Improperly installed piston ring
 - Damaged, worn or fatigued piston ring
 - Seized piston ring
 - Seized or damaged piston
3. Air filter
 - Improperly installed air filter
 - Clogged air filter element
4. Crankcase and crankshaft
 - Improperly assembled crankcase
 - Seized or damaged crankshaft

Fuel system

1. Fuel tank
 - Empty fuel tank
 - Clogged fuel filter
 - Clogged fuel strainer
 - Clogged fuel tank drain hose
 - Deteriorated or contaminated fuel
2. Fuel pump
 - Faulty fuel pump
 - Faulty fuel pump relay
3. Throttle body (-ies)
 - Deteriorated or contaminated fuel
 - Sucked-in air

Electrical system

1. Battery
 - Discharged battery
 - Faulty battery
2. Fuse(s)
 - Blown, damaged or incorrect fuse
 - Improperly installed fuse
3. Spark plug(s)
 - Incorrect spark plug gap
 - Incorrect spark plug heat range
 - Fouled spark plug
 - Worn or damaged electrode
 - Worn or damaged insulator
4. Ignition coil(s)
 - Cracked or broken ignition coil body
 - Broken or shorted primary or secondary coils
 - Faulty spark plug lead
5. Ignition system
 - Faulty ECU
 - Faulty crankshaft position sensor
6. Switches and wiring
 - Faulty main switch
 - Faulty engine stop switch
 - Broken or shorted wiring
 - Faulty neutral switch
 - Faulty start switch
 - Faulty sidestand switch
 - Faulty clutch switch
 - Improperly grounded circuit
 - Loose connections
7. Starting system
 - Faulty starter motor
 - Faulty starter relay
 - Faulty starting circuit cut-off relay
 - Faulty starter clutch

EAS28490

INCORRECT ENGINE IDLING SPEED

Engine

1. Cylinder(s) and cylinder head(s)
 - Incorrect valve clearance
 - Damaged valve train components
2. Air filter
 - Clogged air filter element

Fuel system

1. Throttle body (-ies)
 - Damaged or loose throttle body joint
 - Improperly synchronized throttle bodies
 - Improper throttle cable free play
 - Flooded throttle body
 - Faulty air induction system

Electrical system

1. Battery
 - Discharged battery
 - Faulty battery
2. Spark plug(s)
 - Incorrect spark plug gap
 - Incorrect spark plug heat range
 - Fouled spark plug
 - Worn or damaged electrode
 - Worn or damaged insulator
3. Ignition coil(s)
 - Broken or shorted primary or secondary coils
 - Cracked or broken ignition coil
4. Ignition system
 - Faulty ECU
 - Crankshaft position sensor

EAS28520

POOR MEDIUM-AND-HIGH-SPEED PERFORMANCE

Refer to "STARTING FAILURES" on page 9-1.

Engine

1. Air filter
 - Clogged air filter element
 - Faulty YCC-T and YCC-I

Fuel system

1. Fuel pump
 - Faulty fuel pump

EAS28530

FAULTY GEAR SHIFTING

Shifting is difficult

Refer to "Clutch drags".

EAS28540

SHIFT PEDAL DOES NOT MOVE

Shift shaft

- Improperly adjusted shift rod
- Bent shift shaft

Shift drum and shift forks

- Foreign object in a shift drum groove
- Seized shift fork
- Bent shift fork guide bar

Transmission

- Seized transmission gear
- Foreign object between transmission gears
- Improperly assembled transmission

EAS28550

JUMPS OUT OF GEAR

Shift shaft

- Incorrect shift pedal position
- Improperly returned stopper lever

Shift forks

- Worn shift fork

Shift drum

- Incorrect axial play
- Worn shift drum groove

Transmission

- Worn gear dog

EAS28560

FAULTY CLUTCH

Clutch slips

1. Clutch
 - Improperly assembled clutch
 - Improperly adjusted clutch cable
 - Loose or fatigued clutch spring
 - Worn friction plate
 - Worn clutch plate
2. Engine oil
 - Incorrect oil level
 - Incorrect oil viscosity (low)
 - Deteriorated oil

Clutch drags

1. Clutch
 - Unevenly tensioned clutch spring
 - Warped pressure plate
 - Bent clutch plate
 - Swollen friction plate
 - Bent clutch pull rod
 - Damaged clutch boss
 - Burnt primary driven gear bushing
 - Match marks not aligned
2. Engine oil
 - Incorrect oil level
 - Incorrect oil viscosity (high)
 - Deteriorated oil

EAS28600

OVERHEATING

Engine

1. Clogged coolant passages
 - Cylinder head(s) and piston(s)
 - Heavy carbon buildup
2. Engine oil
 - Incorrect oil level

- Incorrect oil viscosity
- Inferior oil quality

Cooling system

1. Coolant
 - Low coolant level
2. Radiator
 - Damaged or leaking radiator
 - Faulty radiator cap
 - Bent or damaged radiator fin
3. Water pump
 - Damaged or faulty water pump
 - Thermostat
 - Thermostat stays closed
 - Clogged or damaged oil cooler
 - Damaged hose
 - Improperly connected hose
 - Damaged pipe
 - Improperly connected pipe

Fuel system

1. Throttle body(-ies)
 - Faulty throttle body(-ies)
 - Damaged or loose throttle body joint
2. Air filter
 - Clogged air filter element

Chassis

1. Brake(s)
 - Dragging brake

Electrical system

1. Spark plug(s)
 - Incorrect spark plug gap
 - Incorrect spark plug heat range
2. Ignition system
 - Faulty ignitor unit

EAS28610

OVERCOOLING

Cooling system

1. Thermostat
 - Thermostat stays open

EAS28620

POOR BRAKING PERFORMANCE

- Worn brake pad
- Worn brake disc
- Air in hydraulic brake system
- Leaking brake fluid
- Faulty brake caliper kit
- Faulty brake caliper seal
- Loose union bolt
- Damaged brake hose

- Oil or grease on the brake disc
- Oil or grease on the brake pad
- Incorrect brake fluid level

EAS28650

FAULTY FRONT FORK LEGS

Leaking oil

- Bent, damaged or rusty inner tube
- Cracked or damaged outer tube
- Improperly installed oil seal
- Damaged oil seal lip
- Incorrect oil level (high)
- Loose damper rod assembly bolt
- Damaged damper rod assembly bolt copper washer
- Cracked or damaged cap bolt O-ring

Malfunction

- Bent or damaged inner tube
- Bent or damaged outer tube
- Damaged fork spring
- Worn or damaged outer tube bushing
- Bent or damaged damper rod
- Incorrect oil viscosity
- Incorrect oil level

EAS28680

UNSTABLE HANDLING

1. Handlebar
 - Bent or improperly installed right handlebar
 - Bent or improperly installed left handlebar
2. Steering head components
 - Improperly installed upper bracket
 - Improperly installed lower bracket (improperly tightened ring nut)
 - Bent steering stem
 - Damaged ball bearing or bearing race
3. Front fork leg(s)
 - Uneven oil levels (both front fork legs)
 - Unevenly tensioned fork spring (both front fork legs)
 - Broken fork spring
 - Bent or damaged inner tube
 - Bent or damaged outer tube
4. Swingarm
 - Worn bearing or bushing
 - Bent or damaged swingarm
5. Rear shock absorber assembly(-ies)
 - Faulty rear shock absorber spring
 - Leaking oil or gas
6. Tire(s)
 - Uneven tire pressures (front and rear)
 - Incorrect tire pressure
 - Uneven tire wear

7. Wheel(s)

- Incorrect wheel balance
- Deformed cast wheel
- Damaged wheel bearing
- Bent or loose wheel axle
- Excessive wheel runout

8. Frame

- Bent frame
- Damaged steering head pipe
- Improperly installed bearing race

EAS28710

FAULTY LIGHTING OR SIGNALING SYSTEM

Headlight does not come on

- Wrong headlight bulb
- Too many electrical accessories
- Hard charging
- Incorrect connection
- Improperly grounded circuit
- Poor contacts (main or light switch)
- Burnt-out headlight bulb

Headlight bulb burnt out

- Wrong headlight bulb
- Faulty battery
- Faulty rectifier/regulator
- Improperly grounded circuit
- Faulty main switch
- Faulty light switch
- Headlight bulb life expired

Tail/brake light does not come on

- Too many electrical accessories
- Incorrect connection

Tail/brake light bulb burnt out

- Faulty battery
- Incorrectly adjusted rear brake light switch

Turn signal does not come on

- Faulty turn signal switch
- Faulty turn signal relay
- Burnt-out turn signal bulb
- Incorrect connection
- Damaged or faulty wire harness
- Improperly grounded circuit
- Faulty battery
- Blown, damaged or incorrect fuse

Turn signal blinks slowly

- Faulty turn signal relay
- Faulty main switch
- Faulty turn signal switch

- Incorrect turn signal bulb

Turn signal remains lit

- Faulty turn signal relay
- Burnt-out turn signal bulb

Turn signal blinks quickly

- Incorrect turn signal bulb
- Faulty turn signal relay
- Burnt-out turn signal bulb

Horn does not sound

- Improperly adjusted horn
- Damaged or faulty horn
- Faulty main switch
- Faulty horn switch
- Faulty battery
- Blown, damaged or incorrect fuse
- Faulty wire harness

WIRING DIAGRAM**YZFR1W**

1. Main switch
2. AC magneto
3. Rectifier/regulator
4. Main fuse
5. Backup fuse
6. Immobilizer unit
7. ETV fuse
8. Battery
9. Fuel injection system fuse
10. Starter relay
11. Starter motor
12. Starting circuit cut-off relay
13. Neutral switch
14. Sidestand switch
15. Fuel pump
16. Throttle position sensor (for throttle valves)
17. Throttle position sensor (for throttle cable pulley)
18. O₂ sensor
19. ECU (engine control unit)
20. Ignition coil #1
21. Ignition coil #2
22. Ignition coil #3
23. Ignition coil #4
24. Spark plug
25. Injector #1
26. Injector #2
27. Injector #3
28. Injector #4
29. Air induction system solenoid
30. Intake funnel servo motor
31. Throttle servo motor
32. EXUP servo motor
33. Speed sensor
34. Intake air temperature sensor
35. Crankshaft position sensor
36. Coolant temperature sensor
37. Intake air pressure sensor
38. Atmospheric pressure sensor
39. Cylinder identification sensor
40. Lean angle sensor
41. Meter assembly
42. Immobilizer system indicator light
43. Fuel level warning light
44. Oil level warning light
45. Neutral indicator light
46. Tacho meter
47. Shift timing indicator light
48. Multi-function meter
49. Engine trouble warning light
50. Coolant temperature indicator light
51. High beam indicator light
52. Left turn signal indicator light
53. Right turn signal indicator light

54. Meter light
55. Oil level switch
56. Right handlebar switch
57. Front brake light switch
58. Engine stop switch
59. Start switch
60. Turn signal relay
61. Left handlebar switch
62. Dimmer switch
63. Horn switch
64. Clutch switch
65. Turn signal switch
66. Horn
67. Front left turn signal light
68. Front right turn signal light
69. Rear left turn signal light
70. Rear right turn signal light
71. Headlight
72. Auxiliary light
73. Ground (cord head light)
74. License plate light
75. Rear brake light switch
76. Tail/brake light
77. Headlight relay (on/off)
78. Headlight relay (dimmer)
79. Ignition fuse
80. Signal fuse
81. Headlight fuse
82. Anti-theft alarm
83. Radiator fan motor relay
84. Right radiator fan motor fuse
85. Left radiator fan motor fuse
86. Right radiator fan motor
87. Left radiator fan motor
88. Ground
89. Battery negative lead

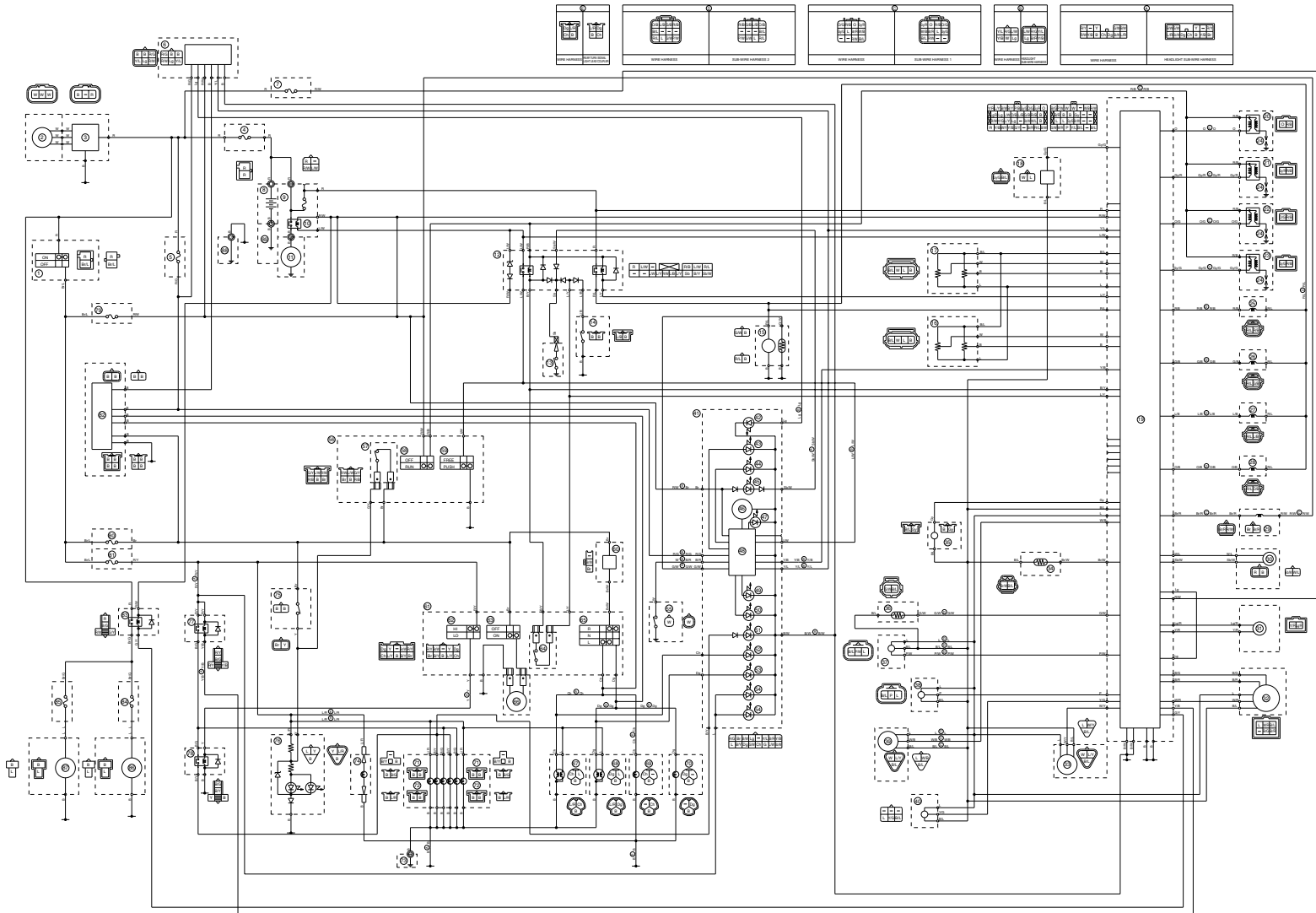
Br/G	Brown/Green
Br/L	Brown/Blue
Br/R	Brown/Red
Br/W	Brown/White
G/B	Green/Black
G/W	Green/White
G/Y	Green/Yellow
Gy/G	Gray/Green
Gy/R	Gray/Red
L/B	Blue/Black
L/R	Blue/Red
L/W	Blue/White
L/Y	Blue/Yellow
Lg/R	Light green/Red
O/B	Orange/Black
O/G	Orange/Green
P/B	Pink/Black
P/W	Pink/White
R/B	Red/Black
R/G	Red/Green
R/L	Red/Blue
R/W	Red/White
R/Y	Red/Yellow
Sb/W	Sky blue/White
W/B	White/Black
W/L	White/Blue
W/R	White/Red
W/Y	White/Yellow
Y/R	Yellow/Red
Y/B	Yellow/Black
Y/G	Yellow/Green
Y/L	Yellow/Blue

COLOR CODE

B	Black
Br	Brown
Ch	Chocolate
Dg	Dark green
G	Green
Gy	Gray
L	Blue
Lg	Light green
O	Orange
P	Pink
R	Red
Sb	Sky blue
W	White
Y	Yellow
B/G	Black/Green
B/L	Black/Blue
B/R	Black/Red
B/W	Black/White
B/Y	Black/Yellow

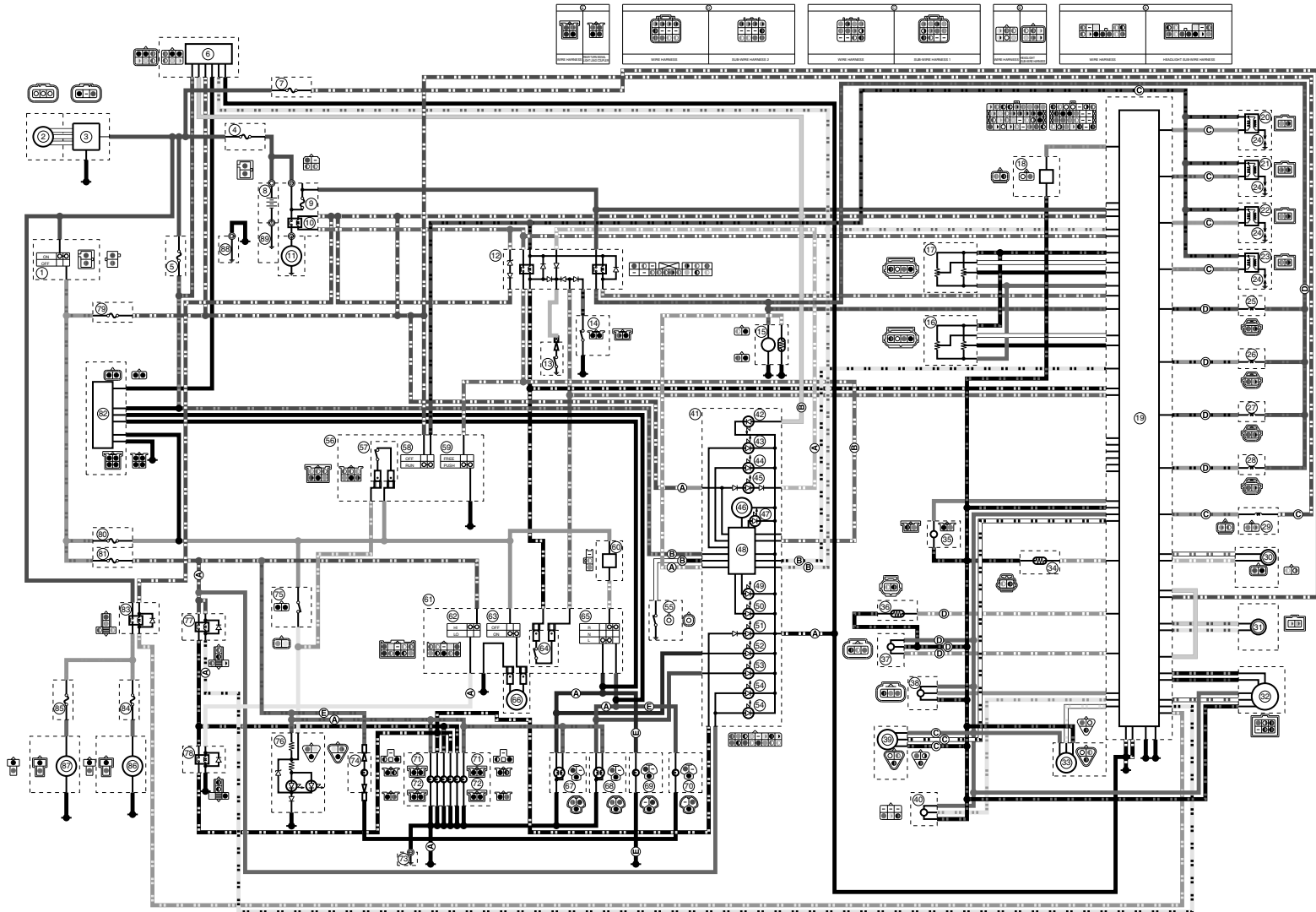
**YZFR1W 2007
WIRING DIAGRAM**

**YZFR1W 2007
SCHEMA DE CABLAGE**



**YZFR1W 2007
WIRING DIAGRAM**

**YZFR1W 2007
SCHEMA DE CABLAGE**



Yamaha Motor Canada Ltd.
480 Gordon Baker Road
Toronto, ON M2H 3B4